

Quick Start Guide

8-Port 120W USB Smart Charging Station with Quick Charge and USB-C PD Charging

Model: U280-008-CQC-ST

Este guía esta disponible en español en la página de Tripp Lite:
tripplite.com/support

Ce guide est disponible en français sur le site Web de Tripp Lite :
tripplite.com/support

Русскоязычная версия настоящего краткого руководства представлена
на веб-сайте компании Tripp Lite по адресу: tripplite.com/support

WARRANTY REGISTRATION

Register your product today and be
automatically entered to win an ISOBAR
surge protector in our monthly drawing!

tripplite.com/warranty



1111 W. 35th Street, Chicago, IL 60609 USA • tripplite.com/support

Copyright © 2019 Tripp Lite. All rights reserved.

Product Features

- Six BC 1.2-compliant USB Type-A ports, one Quick Charge 3.0 port and one USB-C Power Delivery (PD) Charging port
- Provides up to 2.4A of power per BC 1.2 USB Type-A port
- Quick Charge 3.0 Type-A port supports Qualcomm® Quick Charge 3.0 Class A technology up to 12V 1.5A, and allows Qualcomm Snapdragon-enabled devices to charge up to 75% faster than conventional charging
- USB-C PD Charging port provides up to 60W (20V 3A) of power
- Removable brackets enable customization of unit's storage space according to number and size of devices being charged
- Innovative design allows for device to be wall-mounted, or placed on a hard surface vertically or horizontally, with adjustable brackets for multiple application types
- Provides overheating, overcurrent and overvoltage protection

Package Contents

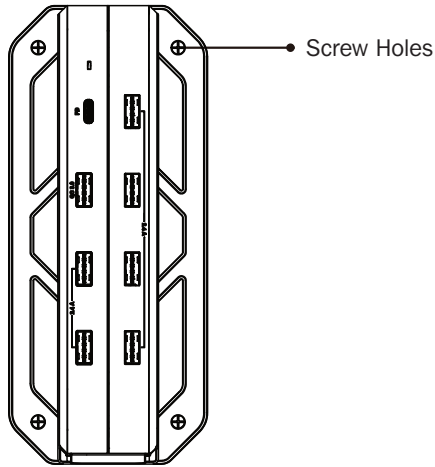
- U280-008-CQC-ST 8-Port 120W USB Smart Charging Station
- External Power Supply (Input: 100V-240V, 50/60 Hz, 3.0A; Max. Output: 20V 6A)
- C5 to NEMA 5-15P Power Cord, 5 ft. (1.5 m)
- Removable Storage Brackets (x9)
- Mounting Stand
- Mounting Hardware
- Quick Start Guide

Optional Accessories

- M100-Series USB to Lightning Cables
- M110-Series USB to Apple 30-Pin Cables
- P013-010: C5 to 5-15P Power Cord, 10 ft. (3 m)
- U030-Series USB 5-Pin Mini-B Cables
- UR030-Series Reversible USB 5-Pin Mini-B Cables
- UR050-001-24G 24 AWG Reversible USB 2.0 Micro-B Cable, 1 ft. (0.3 m)
- UR050-003-24G 24 AWG Reversible USB 2.0 Micro-B Cable, 3 ft. (1 m)
- UR050-006-24G 24 AWG Reversible USB 2.0 Micro-B Cable, 6 ft. (2 m)
- UR05C-Series 20 AWG Reversible USB Micro-B Charging-Only Cables
- U326-Series USB 3.0 Micro-B Cables
- U420-003 USB 3.1 Gen 1 USB-C Cable, 3 ft. (1 m)

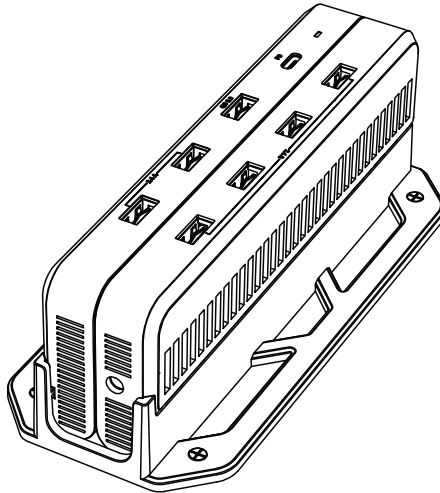
Charging Station Configurations

1 Wall-Mounted Configuration



The U280-008-CQC-ST can be wall-mounted using the included screws and the stand.

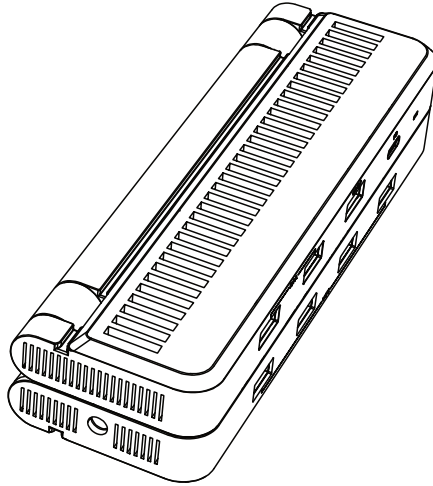
2 Vertical Configuration (with Stand)



By inserting the U280-008-CQC-ST into the mounting stand, all eight ports are accessible with the unit placed on a surface, such as a desk.

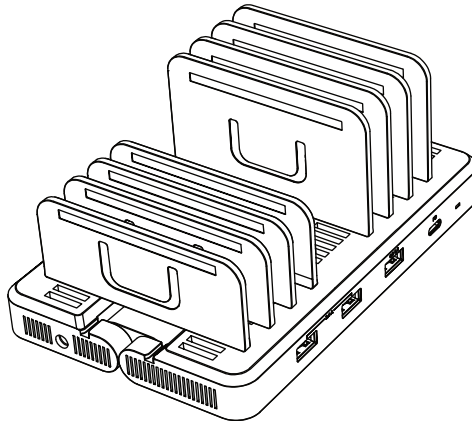
Charging Station Configurations

3 Horizontal Configuration (without Stand)



The charging station can be placed flat horizontally with all eight ports accessible.

4 Flat (with Brackets)



The U280-008-CQC-ST can be unfolded and set flat on a hard surface in order to use the included brackets. There are five small brackets and four large brackets suitable for holding multiple devices during charging. The brackets can also be used for storage purposes to keep devices organized when not in use. Customize the unit's storage space according to the number and size of devices charging. To install, simply insert a storage bracket into the desired slots.

USB Charging:

To charge USB devices, connect the included external power supply and power cord to the U280-008-CQC-ST and to a power source, then plug devices into the available ports. The six USB-A ports provide a maximum of 5V 2.4A of power. The Quick Charge 3.0 Port supports Quick Charge 3.0 Class A technology 5/9/12V. The USB-C PD Charging 3.0 port provides up to 20V 3A (60W) of power.

Specifications

Ports	
DC Port	DC Power
USB	USB-A (x7)
Charging	USB-C (x1)
Protection	
Overcurrent	Yes
Short Circuit	Yes
Overheating	Yes
Overvoltage	Yes
Environmental	
Operating Temperature	41°F to 91°F (5°C to 35°C)
Storage Temperature	-4°F to 122°F (-20°C to 50°C)
Relative Humidity	20% to 80% RH, Non-Condensing
Power Requirements	
Power Input	100-240V, 50/60 Hz, 1.5A
USB-A BC1.2 Port	Up to 5V 2.4A per port
Quick Charge 3.0 Port	Class A Technology 5/9/12V
USB-C Power Delivery Port	PD 3.0 Charging up to 20V 3A (60W)

Frequently Asked Questions (FAQ)

1) How is charging speed determined when charging a device?

The charging speed of the connected devices is determined by the power currently held in the device's battery. When a device is connected to the U280-008-CQC-ST for charging with very little battery life remaining, the charging rate starts out slow to avoid damaging the battery, then gains speed before slowing again at approximately 80% charged. For optimal performance, it is important to ensure the correct cable type and power adapter are used. Using cables that do not support PD Charging or Quick Charge 3.0 with those ports will result in reduced charging speeds. The included power supply provides up to 120W of power, enough to power all eight ports simultaneously. If a lesser power adapter is used, decreased charging speeds will result.

2) Will my device still charge if plugged into the PD Charging or QC 3.0 port if the device is not compatible with PD Charging or QC 3.0?

Yes, devices can still be charged, even if not compatible with PD Charging or QC 3.0 technologies. The U280-008-CQC-ST will automatically recognize the voltage and current required to charge the device and adjust accordingly. Typically, this will result in the charging station using 5A of power to avoid over-voltage damage to the device.

3) Why is my QC 3.0-enabled device not charging at QC 3.0 speeds?

Make sure to use a cable that supports QC 3.0 when plugging a device into the QC 3.0 port. While the U280-008-CQC-ST supports QC 3.0 charging, the cable being used must support QC 3.0 charging speeds.

4) Why is the green LED blinking continuously while charging multiple devices?

The LED will blink when the device is in danger of exceeding the maximum charging output and is currently protecting the charging station from overheating. Attempting to charge multiple power-intensive devices at once, such as tablets or laptops, can exceed the device's maximum power allotment. Detach one or more devices until the LED stops blinking and returns to a static green glow.

Warranty & Product Registration

2-YEAR LIMITED WARRANTY

TRIPP LITE warrants its products to be free from defects in materials and workmanship for a period of two (2) years from the date of initial purchase. TRIPP LITE's obligation under this warranty is limited to repairing or replacing (at its sole option) any such defective products. To obtain service under this warranty, you must obtain a Returned Material Authorization (RMA) number from TRIPP LITE or an authorized TRIPP LITE service center. Products must be returned to TRIPP LITE or an authorized TRIPP LITE service center with transportation charges prepaid and must be accompanied by a brief description of the problem encountered and proof of date and place of purchase. This warranty does not apply to equipment, which has been damaged by accident, negligence or misapplication or has been altered or modified in any way.

EXCEPT AS PROVIDED HEREIN, TRIPP LITE MAKES NO WARRANTIES, EXPRESS OR IMPLIED, INCLUDING WARRANTIES OF MERCHANTABILITY AND FITNESS FOR A PARTICULAR PURPOSE.

Some states do not permit limitation or exclusion of implied warranties; therefore, the aforesaid limitation(s) or exclusion(s) may not apply to the purchaser.

EXCEPT AS PROVIDED ABOVE, IN NO EVENT WILL TRIPP LITE BE LIABLE FOR DIRECT, INDIRECT, SPECIAL, INCIDENTAL OR CONSEQUENTIAL DAMAGES ARISING OUT OF THE USE OF THIS PRODUCT, EVEN IF ADVISED OF THE POSSIBILITY OF SUCH DAMAGE. Specifically, TRIPP LITE is not liable for any costs, such as lost profits or revenue, loss of equipment, loss of use of equipment, loss of software, loss of data, costs of substitutes, claims by third parties, or otherwise.

Product Registration

Visit triplite.com/warranty today to register your new Tripp Lite product. You'll be automatically entered into a drawing for a chance to win a FREE Tripp Lite product!*

* No purchase necessary. Void where prohibited. Some restrictions apply. See website for details.

FCC Notice, Class B

This device complies with part 15 of the FCC Rules. Operation is subject to the following two conditions: (1) This device may not cause harmful interference, and (2) this device must accept any interference received, including interference that may cause undesired operation.

Note: This equipment has been tested and found to comply with the limits for a Class B digital device, pursuant to part 15 of the FCC Rules. These limits are designed to provide reasonable protection against harmful interference in a residential installation. This equipment generates, uses and can radiate radio frequency energy and, if not installed and used in accordance with the instructions, may cause harmful interference to radio communications. However, there is no guarantee that interference will not occur in a particular installation. If this equipment does cause harmful interference to radio or television reception, which can be determined by turning the equipment off and on, the user is encouraged to try to correct the interference by one or more of the following measures:

- Reorient or relocate the receiving antenna.
- Increase the separation between the equipment and receiver.
- Connect the equipment into an outlet on a circuit different from that to which the receiver is connected.
- Consult the dealer or an experienced radio/TV technician for help.

Any changes or modifications to this equipment not expressly approved by Tripp Lite could void the user's authority to operate this equipment.

WEEE Compliance Information for Tripp Lite Customers and Recyclers (European Union)



Under the Waste Electrical and Electronic Equipment (WEEE) Directive and implementing regulations, when customers buy new electrical and electronic equipment from Tripp Lite they are entitled to:

- Send old equipment for recycling on a one-on-one, like-for-like basis (this varies depending on the country)
- Send the new equipment back for recycling when this ultimately becomes waste.

Use of this equipment in life support applications where failure of this equipment can reasonably be expected to cause the failure of life support equipment or to significantly affect its safety or effectiveness is not recommended.

Tripp Lite has a policy of continuous improvement. Specifications are subject to change without notice. Photos and illustrations may differ slightly from actual products.



1111 W. 35th Street, Chicago, IL 60609 USA • triplite.com/support