

# IGST-6699WC User Manual

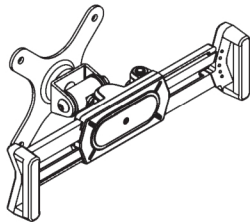
## SIZE: 185 X 240 mm

PAD-SVWMB

### Security VESA Wall Mount for 7-14 Inch Tablets

#### Contents

Security Bracket x 1



Key x 2



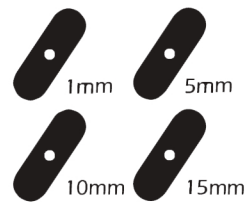
Screw x 4  
( 4.8x40mm )



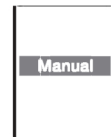
Expansion  
Bolts x 4



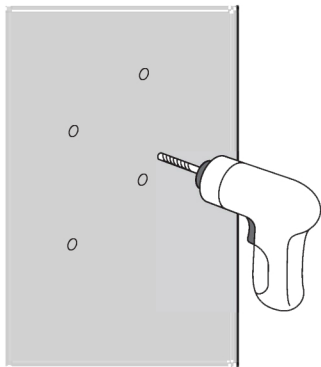
Foam Pad x 4 kinds



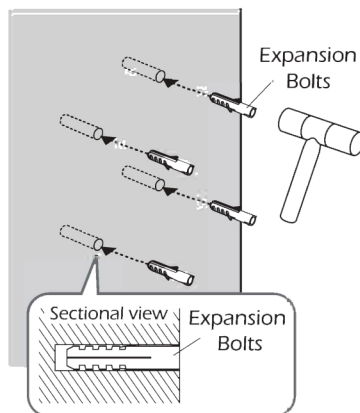
Manual x 1



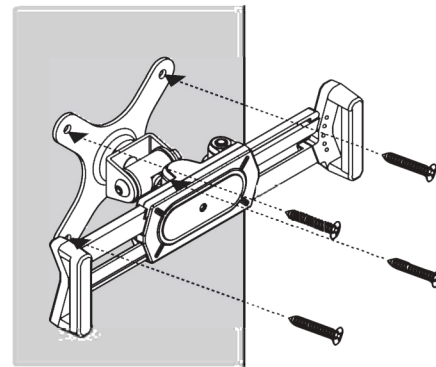
#### Mounting Bracket On The Wall



1. Drill a hole in the wall to these specifications:  
Diameter: 6.5 - 7 mm  
Depth: 40 - 45 mm

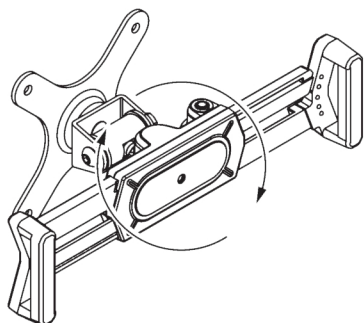


2. Knock the expansion bolts completely into the wall.

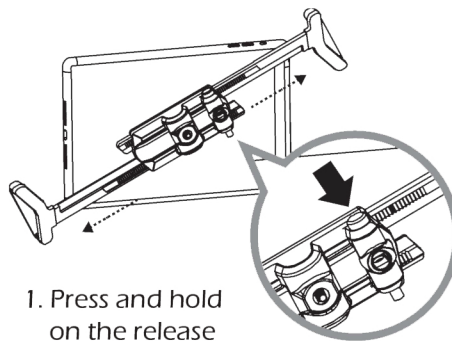


3. Fix it with screws on the wall.

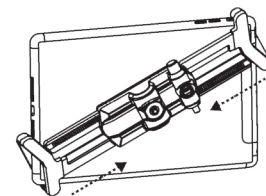
#### Adjustability



#### Install The Tablet PC



1. Press and hold on the release button to unlock the frame.



2. Adjust the frame to fit your Tablet PC.

[support@ctadigital.com](mailto:support@ctadigital.com)