

Bowers & Wilkins

PX7  
Wireless  
Headphones

## Welcome to Bowers & Wilkins and PX7

Thank you for choosing Bowers & Wilkins. When John Bowers first established our company, he did so in the belief that imaginative design, innovative engineering and advanced technology were keys that could unlock the enjoyment of audio in the home. His belief is one that we continue to share and inspires every product we design, tailored for new audio experiences outside of the home.

The Bowers & Wilkins PX7 are high performance over-ear headphones designed to deliver the highest quality mobile personal audio experience combined with the convenience of wireless operation and the serenity of noise-cancellation. This manual will tell you everything you need to know to get the most from your PX7 headphones.

Your PX7 can play music streamed wirelessly from your mobile phone, tablet or computer via Bluetooth, or conventionally connected by a jack cable to a suitable analogue headphone output. PX7 can also play audio via a USB connection from a computer and can be used for wireless telephony.

PX7 Real World Listening features include our latest innovations in Adaptive Noise Cancellation, Ambient Pass-Through and enhanced Wear Sensing technologies. Our latest generation noise cancellation feature was designed from the ground up with intelligent environment sensing capabilities, automatically selecting the appropriate type of noise cancellation best suited to your surrounding environment, its only goal is to deliver an uncompromised listening experience. Ambient Pass-Through enables external sounds, such as conversation or safety announcements, to be heard clearly without any need to remove the headphones. The Wear Sensing feature enables PX7 to respond naturally, pausing and resuming the music simply by lifting either earpiece on or off your ear. These features can be enabled and further customised via the Bowers & Wilkins Headphone App available for free on iOS and Android devices.

PX7 incorporates a rechargeable battery pack. When fully charged, depending on the degree of Bluetooth, Adaptive Noise Cancellation and Ambient Pass-Through use, the battery pack can provide up to 30 hours of continuous wireless media streaming with noise cancellation enabled at average playback volume levels.

## 1. PX7 Carton Contents

PX7 headphones  
Storage case  
USB-C charging cable  
3.5mm audio cable  
Document pack

## 2. Getting to know your PX7

### 2.1 Switching Headphones On and Off

Diagram 1 illustrates power switch functionality.

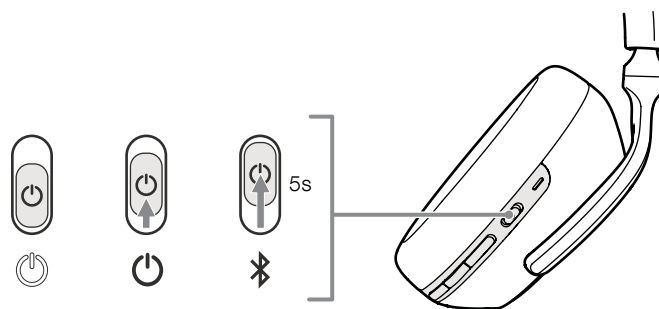


Diagram 1  
Power switch functionality

#### Switching On

The Power Switch is located on the right earpiece. Slide the Power Switch up to the middle position. An audible cue will be presented and the LED indicator will light up in either green, amber or red displaying the current charge level.

#### Switching Off

Slide the Power Switch to the bottom position. An audible cue will be presented and the headphones will power down when the LED indicator is no longer lit.

### 2.2 Headphone Controls

Diagram 2 illustrates the headphone controls. The following buttons on the right earpiece are used to for media playback:

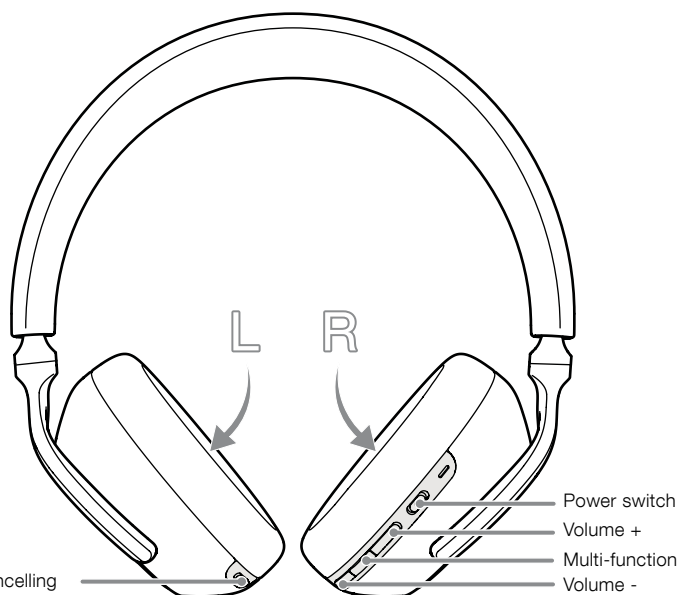


Diagram 2  
Headphone controls

Function	Action
Play or pause	Press the Multi-function button once.
Play to next track	Press the Multi-function button twice in quick succession. <i>Note: functionality dependent on source device.</i>
Play previous track	Press the Multi-function button three times in quick succession. <i>Note: functionality dependent on source device.</i>
Increase Volume	Press the Volume + button.
Lower Volume	Press the Volume - button.

The following buttons on the right earpiece are used for phone call functionality:

Function	Action
Answer or end call	Press the Multi-function button once.
Answer an incoming call	When incoming call occurs, press the Multi-function button once.
Decline an incoming call	When incoming call occurs, hold the Multi-function for 2 seconds.
Switch between two calls	With two calls active, press the Multi-function button twice.
Merge two calls	With two calls active, hold the Multi-function button for 1 second.
Toggle mute	While on a call, press the Multi-function button three times.

### 2.3 Status Indicator

The status LED indicator is located on the right earpiece, Diagram 3 explains the illumination states.

Illumination	Operational state
White	Battery charge > 30%
Amber	Battery charge between 30% and 10%
Red	Battery charge < 10%
Red flashing	Battery charge insufficient for headphone operation
Blue flashing	Pairing mode enabled
Blue (2 sec solid)	Pairing successful
Blue flashing (calls)	Incoming call
Green flashing	Rapid charging
Green solid	Battery charge full, trickle charging

Diagram 3  
Status indicator illuminations

### 3. Intelligent Features

#### 3.1 Adaptive Noise Cancellation

Noise cancellation is a series of advanced technologies that aids in removing undesired noise from the surrounding environment.

PX7 features our latest innovations in adaptive noise cancellation, this includes intelligent sensing that adapts noise cancellation and tuning best suited to your surrounding environment. As your surroundings change, noise cancellation will auto adapt to complement your new environment.

The Noise Cancellation button on the left earpiece is used to cycle between the following modes, see Diagram 2 for button location:

Mode	Application
High	Suitable for consistently noisy environments such in an airplane cabin.
Low	Suitable for environments where you need awareness of your surroundings.
Auto	Intelligently adapts noise cancellation best suited to your current environment.
Off	Turns off the noise cancellation feature.

#### 3.2 Ambient Pass-Through

PX7 features ambient pass-through which lets some external noise from the surrounding environment, such as safety announcements or conversations, to be heard without taking the headphones off.

The Noise Cancellation button on the left earpiece also controls this feature, see Diagram 2 for button location.

Function	Action
Enable ambient pass-through	Press and hold the Noise Cancellation button for 2 seconds.
Disable ambient pass-through	With ambient pass-through enabled, either hold down or single press the Noise Cancellation button for 2 seconds, the headphones will return to the previous noise cancellation mode

The level of ambient pass-through can be further customised to suite your needs using the Bowers & Wilkins Headphones App.

#### 3.3 Wear Sensors

PX7 incorporate our latest enhanced wear detection sensors in both earpieces, see Diagram 4, enabling intelligent battery conservation by entering standby when removed from the head. When worn again, PX7 automatically wakes and connects to the last connected Bluetooth device.

During media playback, PX7 will auto pause when either earpiece is lifted from the ear. Playback will auto resume when the earpiece is placed back on the ear. Auto resume has been further optimised so it is ready only when you are. This means the headphone will not attempt to resume playback during following conditions:

1. Headphone powers on from the off state.
2. Headphone wakes from the standby state.
3. Headphone reboots (such as after a factory reset).

Wear sensor and standby can be adjusted using the Bowers & Wilkins Headphones App.

*Note: Take care when wearing your headphones; hair or accessories trapped between your ears and the earpieces, or wearing glasses that distort the profile of your ears, may interfere with the performance of the proximity sensors.*

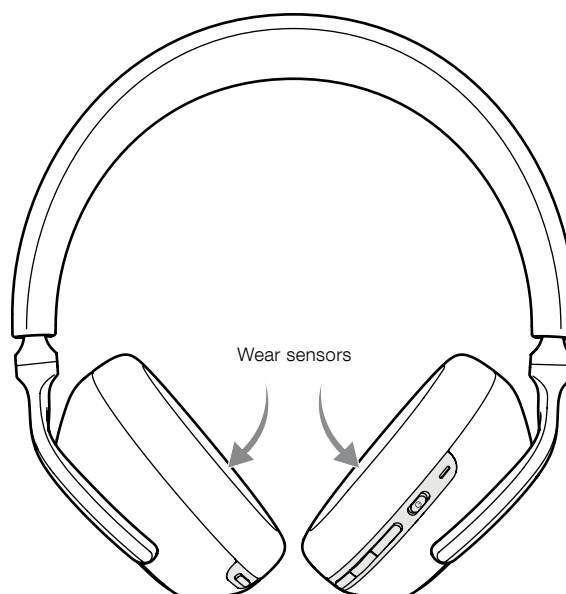


Diagram 4  
Wear sensor location

## 4. Battery Charging and Power Saving

Your PX7 comes with the battery partially charged and may be used immediately. For best practice we recommend to fully charge the headphones before first use. Please allow up to 3 hours for full charge. The headphones can be used while charging.

To charge:

1. Please use the supplied charging cable and connect the USB-A plug to a wall charger or a powered computer USB-A socket.
2. Then connect the USB-C end to the headphones USB-C socket

*Note: During charging, the headphone indicator will flash green. When fully charged, the indicator will remain illuminated. See Diagram 3 for status indicator details.*

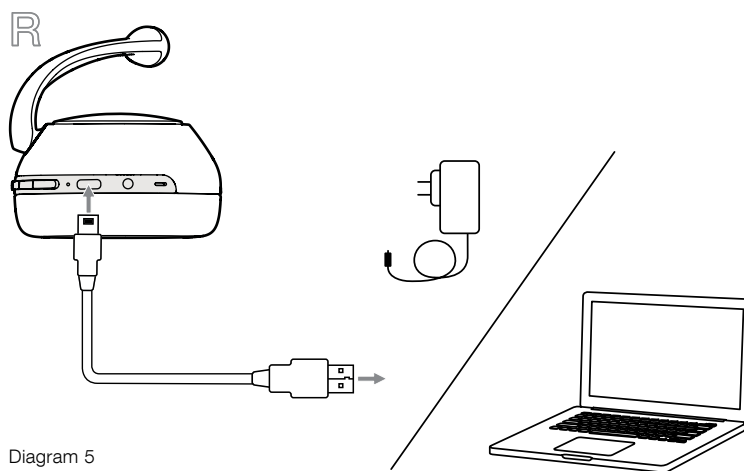


Diagram 5  
USB-C cable connection

### 4.1 Standby Power Saving

PX7 wear detection sensors intelligently conserve power. When taken off your head, PX7 will automatically enter standby which will pause media playback, disconnect Bluetooth and switch to a low power state.

When worn again, PX7 will wake and reconnect to the last connected Bluetooth source. Note that both earpieces must detect wear for proper functionality. If wear sensors are disabled using the app, this feature will also be disabled.

With the app, you can customise how long the headphones will wait before switching to auto standby, please see Standby Timer under Settings in the app.

## 5. Wearing Your Headphones

Wearing your headphones correctly will help ensure the best possible experience. See Diagram 6.

1. Identify the left and right earpieces by finding the identification legends located on the interior of each earpiece.
2. Wear the headphones accordingly with the headband adjusted so that they rest comfortably on your head.

*Note: Wearing glasses that distort the profile of your ears may interfere with headphone performance. Similarly, hair trapped between your ears and the headphone ear-pieces may interfere with the wear sensor performance.*

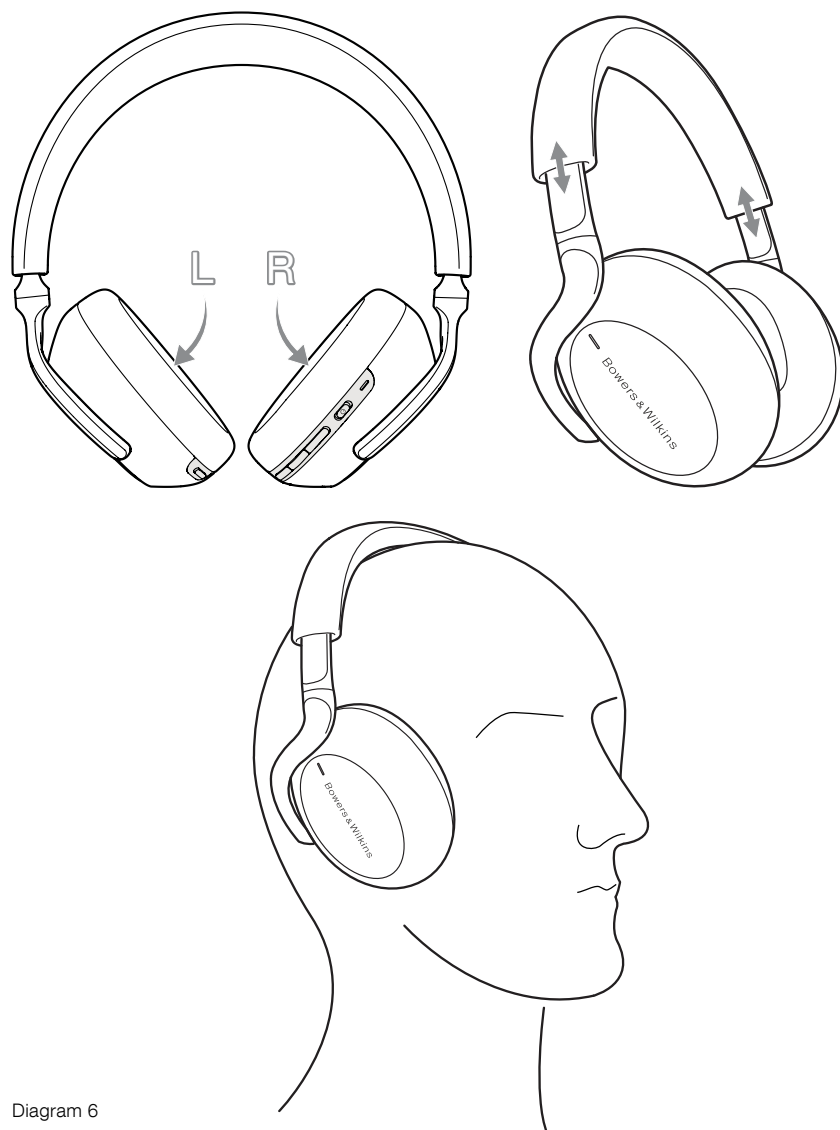


Diagram 6  
Wearing your headphones

## 6. Bluetooth Connection

### 6.1 Pairing

PX7 is designed to stream media wirelessly from Bluetooth audio devices, such as smartphones, tablets or personal computers. To do so, the headphone and device (source) must first be paired.

1. The first time you switch on your headphones, Bluetooth pairing mode will be enabled, the indicator will flash blue. If pairing mode is not enabled, please slide and hold the power switch to the upper (Bluetooth Icon) position for 5 seconds, let go when the indicator blinks blue and when an audible cue is presented.
2. Ensure the Bluetooth feature is enabled on the audio device, PX7 will appear in the discovery list, select it to pair.
3. The indicator will flash blue while pairing is in progress, this will change to solid blue and an audible cue presented when pairing is successful.

Your headphones will remember up to eight paired Bluetooth devices. Repeat the above steps to pair more devices.

*Note: Your headphones will automatically exit Bluetooth pairing mode if no device is paired within 5 minutes. If pairing fails, the indicator will rapid flash blue, please try pairing again.*

### 6.2 Multiple Bluetooth Connections

PX7 can connect up to two devices at the same time, but note that you can only play audio or take calls from one device at a time.

To switch between two devices:

1. Pause audio on the first device, or use the PX7 multi-function button.
2. Play audio from the second device and the headphone will switch over.

When streaming audio, receiving a call on the second device will automatically pause playback and the call will be routed automatically to your headphones. Ending the call will automatically resume playback from the first device.

### 6.3 Disconnect from a Device

You can quickly disconnect PX7 from a device by sliding the Power Switch to the upper (Bluetooth Icon) position two times in quick succession, an audible tone will be presented indicating successful disconnection.

Alternatively, you can manage connection in further detail using the Bowers & Wilkins Headphones app under Connections.

### 6.4 Setting Up Headphones with the App

The Bowers & Wilkins Headphones app provides extended setup and adjustments to features such as Adaptive Noise Cancellation, Ambient Pass-Through, and Wear Sensors. The app also provides further customisations such as voice prompt, standby time, connection management and headphone software updates. The app is available as a free download on iOS and Android devices.

To add your headphones:

1. From your mobile device, download and install the Bowers & Wilkins Headphones app.
2. Launch the app, then read and follow the instructions pertaining app notification and permissions.
3. After reaching the main screen, simply tap + and following the in-app instructions.

### 6.5 Headphone Software Updates

Bowers & Wilkins will occasionally make available software updates that refine and optimise the performance of your headphones or add new features.

The Bowers & Wilkins Headphones app will notify you when a software update is available, tap on the notification and the follow in-app instructions.

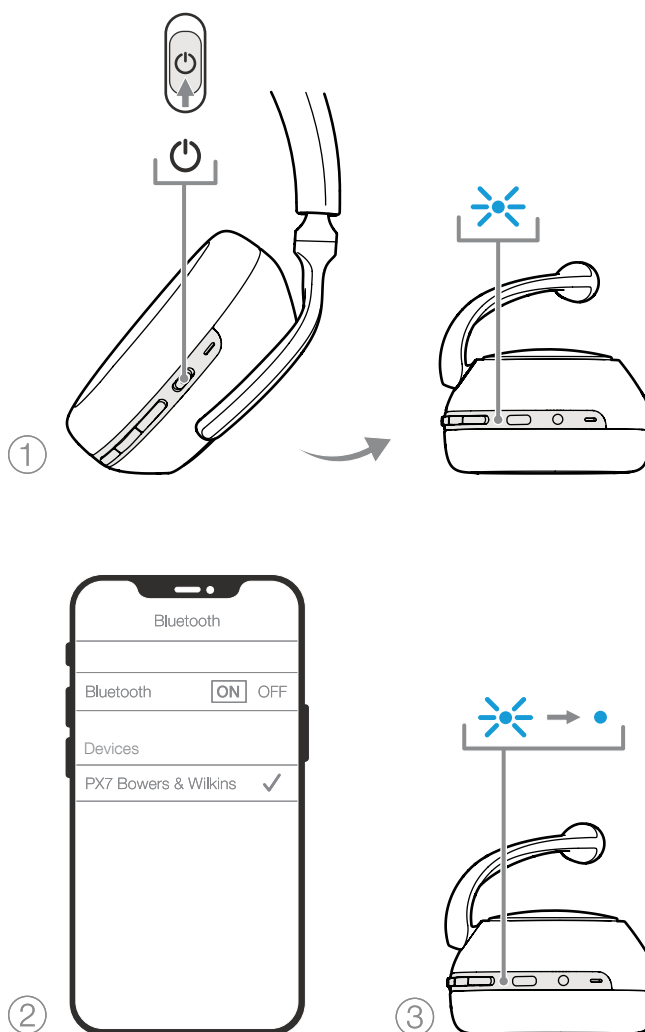


Diagram 7  
Bluetooth pairing

## 7. Auxiliary Connection

In addition to Bluetooth, your PX7 can also connect to audio sources using the supplied 3.5mm audio or USB cables.

### 7.1 Connecting with the 3.5mm Audio Cable

The 3.5mm audio cable enables your PX7 to be used with a device supporting an analogue output such as a conventional headphone socket on smartphones or tablets, or a traditional hi-fi system. See Diagram 8.

1. Insert the 3.5mm audio cable into the headphone 3.5mm socket on the right ear piece.
2. Take the other end and insert into the appropriate socket on your device.
3. Your PX7 will automatically disconnect from any Bluetooth devices.

*Note: Your headphones must have sufficient charge and switched on to play audio from an analogue source device. The volume and play/pause buttons will not function when using the 3.5mm interface.*

### 7.2 Connecting with the USB Cable

USB connection enables your PX7 to function as a USB sound output device when connected to a capable computer.

1. Insert the USB-C end into the PX7 USB-C socket on the right ear piece.
2. Take the USB Type A end and insert into the appropriate socket on your computer.
3. PX7 will automatically disconnect from any Bluetooth devices.
4. Find and select your headphones from the computer's audio output control panel.

*Note: When connected to an capable computer USB port, the headphone battery will also charge.*

## 8. Power Cycle and Reset

### 8.1 Power Cycle

You can power cycle your PX7, simultaneously hold the Volume + and Volume - buttons for 10 seconds until the indicator LED extinguishes, let go when the indicator lights up again. Rebooting your headphones will not reset their internal settings or clear the paired device history.

### 8.2 Reset to Default

You can clear the paired device history and restore all settings to their defaults. With PX7 powered on, simultaneously hold the Volume +, Volume - and Noise Cancellation buttons for 10 seconds until the indicator LED extinguishes, let go when the indicator lights up again, the headphones will be ready to pair to a device. Alternatively, you can reset from the Bowers & Wilkins Headphones app, please see Reset under Settings in the app

## 9. Care & Maintenance

### 9.1 Storing Your PX7

Taking care of your PX7 will ensure they continue to deliver the best performance and experience.

When not used, stow your headphones using the included storage pouch. It is recommended the headphones are first powered off:

1. Retract the headband on each side so they are in the smallest position.
2. With the buttons facing you, rotate the earpieces inwards so they lay flat.
3. Place the headphones in to the storage case.

### 9.2 Cleaning Your PX7

Your PX7 can be cleaned by a soft, damp microfiber cloth, gently wipe or dab clean.

The fabric on PX7 have been specially coated with moisture and stain repellent. If dirt, stain or fibre residue accumulate on the fabric surface, please clean as instructed above.

- Do NOT aggressively rub or use an abrasive tool to clean, especially the fabric.
- Do NOT use paper towels, napkins or tissue as they will leave residue.
- Do NOT use cleaning detergents, soapy water, polish or chemical cleaners.
- Ensure that no moisture get inside the earpieces, buttons and interface ports.

## 10. Support

Should you require further help or advice regarding your PX7 please visit the Headphones support site here [www.bowerswilkins.com/support](http://www.bowerswilkins.com/support).

### Environmental Information

This product complies with international directives, including but not limited to the Restriction of Hazardous Substances (RoHS) in electrical and electronic equipment, the Registration, Evaluation, Authorisation and restriction of Chemicals (REACH) and the disposal of Waste Electrical and Electronic Equipment (WEEE). Consult your local waste disposal authority for guidance on how properly to recycle or dispose of this product.

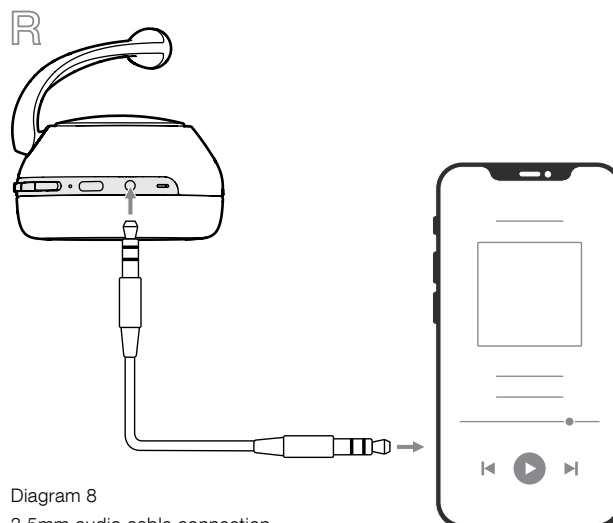


Diagram 8  
3.5mm audio cable connection

## Specifications

Wearing Style	Bluetooth Wireless Over-Ear Headphones
Technical Features	Adaptive Noise Cancellation Ambient Pass-Through Wear-Detection Sensor Bluetooth® audio - Bluetooth 5.0 with aptX™ Adaptive USB-C charging & audio interface 3.5mm auxiliary audio interface
Bluetooth Codecs	aptX™ Adaptive aptX™ HD aptX™ Classic AAC SBC
Bluetooth Profiles	A2DP v1.3.1 AVRCP v1.6.1 HFP v1.7.1 HSP v1.2 BLE GATT (Generic Attribute Profile)
Drive Units	2 x ø 43.6mm full range
Microphones	4x mics for ANC 2x mics for telephony (CVC2 – Clear Voice Communication v2)
Frequency Range	10Hz to 30kHz
Input Impedance	20 kOhms
Distortion (THD)	<0.3% (1kHz/10mW)
Battery Type	Rechargeable Lithium Polymer
Battery Life & Charging	30 hrs Bluetooth with ANC, 5hrs with 15min charge
Inputs	Bluetooth, 3.5mm stereo jack, USB-C audio
In Box Accessories	1.2m stereo audio cable, 1.2m USB-A to USB-C cable, Storage Case
Weight	310 grams



## Bienvenue chez Bowers & Wilkins et au PX7

Merci d'avoir choisi Bowers & Wilkins. Quand John Bowers a créé notre société, il l'a fait avec la conviction qu'une conception imaginative, une ingénierie innovante et une technologie de pointe seraient les clés qui pourraient libérer le plaisir de l'audio à domicile. Cette conviction continue d'inspirer chaque produit que nous concevons, et s'applique aujourd'hui aux nouvelles expériences audio nomades.

Le PX7 de Bowers & Wilkins est un casque circum-auriculaire haute performance, conçu pour vous offrir la meilleure expérience audio personnelle mobile possible, associée à la commodité du fonctionnement sans fil et au bien-être d'écoute offert par la suppression du bruit ambiant. Ce manuel détaille tout ce que vous devez savoir pour tirer le meilleur parti de votre nouveau casque PX7.

Votre PX7 peut délivrer le flux musical diffusé en streaming sans fil depuis votre téléphone mobile, votre tablette ou votre ordinateur via Bluetooth, ou de façon plus conventionnelle via un câble jack depuis une sortie casque analogique. Le PX7 peut également restituer un flux audio via une connexion USB depuis un ordinateur et il peut être utilisé pour la téléphonie sans fil.

Les fonctions d'écoute avancées « Real World Listening » du PX7 intègrent nos dernières innovations en matière de suppression de bruit adaptative, de transmission contrôlée du bruit ambiant, et de détection automatique du port du casque via des capteurs de proximité. Notre fonction de réduction de bruit de dernière génération a été entièrement reconçue : elle dispose désormais de capacités intelligentes de détection du bruit ambiant avec sélection automatique du type d'annulation de bruit le mieux adapté à votre environnement. Son principal objectif est d'abord et avant tout de vous fournir une expérience d'écoute réellement sans compromis. La fonction de transmission du bruit ambiant « Ambient Pass-Through » permet de percevoir clairement certains sons provenant de l'extérieur, tels que les conversations ou les annonces de sécurité, sans qu'il soit nécessaire d'ôter le casque. La fonction de détection du port du casque « Wear Sensing » permet au PX7 de réagir naturellement, en mettant la musique en pause et en reprenant la lecture juste en soulevant et en replaçant l'écouteur sur l'oreille. Ces fonctionnalités peuvent être activées et voire même personnalisées via l'application Bowers & Wilkins Casque disponible gratuitement pour les appareils iOS et Android.

Le PX7 comprend un bloc-batterie rechargeable. Lorsqu'elle est complètement rechargée, et en fonction du niveau d'utilisation du Bluetooth, de la suppression adaptative du bruit et de la température ambiante, la batterie peut vous offrir jusqu'à 30 heures de fonctionnement continu avec la suppression du bruit activée et à un niveau d'écoute intermédiaire.

## 1. Contenu du carton du PX7

Casque PX7  
Etui de rangement  
Câble de recharge USB-C  
Câble audio 3,5 mm  
Ensemble de documents

## 2. Apprendre à connaître votre PX7

### 2.1 Allumer et éteindre le casque

La figure 1 illustre les fonctions de mise en marche.

#### Mise en marche

L'interrupteur d'alimentation est situé au niveau de l'écouteur droit. Faites glisser l'interrupteur d'alimentation sur la position intermédiaire. Vous entendrez alors un signal sonore et l'indicateur lumineux va s'allumer soit en vert, en orange ou en rouge, en fonction du niveau de charge de la batterie.

#### Arrêt

Faites glisser l'interrupteur d'alimentation sur la position inférieure. Vous entendrez un signal sonore. L'indicateur lumineux va ensuite s'éteindre, et votre casque sera alors sur arrêt.

### 2.2 Commandes du casque

La figure 2 illustre les commandes du casque. Les actions suivantes, réalisées sur les boutons situés au niveau de l'écouteur droit, servent à contrôler la lecture :

Fonction	Action
Lecture ou pause	Appuyez sur le bouton multifonctions
Ecouter le morceau suivant	Appuyez sur le bouton multifonctions rapidement deux fois. ( <i>Remarque : cette fonctionnalité dépend de votre appareil source</i> )
Ecouter le morceau précédent	Appuyez sur le bouton multifonctions rapidement trois fois. ( <i>Remarque : cette fonctionnalité dépend de votre appareil source</i> )
Augmenter le volume	Appuyez sur le bouton Volume +
Diminuer le volume	Appuyez sur le bouton Volume -

Les actions suivantes, réalisées sur les boutons situés au niveau de l'écouteur droit, permettent de gérer les appareils téléphoniques :

Fonction	Action
Répondre ou mettre fin à un appel	Appuyez une fois sur la bouton multifonctions
Répondre à un appel entrant	Quand un appel entrant se produit, appuyez une fois sur le bouton multifonctions
Refuser un appel entrant	Quand un appel entrant se produit, maintenez appuyé sur le bouton multifonctions pendant 2 secondes
Basculer entre deux appels	Si la fonction double appel est active, appuyez deux fois sur le bouton multifonctions
Fusionner deux appels	Si la fonction double appel est active, appuyez sur le bouton multifonctions pendant une seconde
Activer/désactiver le mode secret	Pendant un appel, appuyez sur la touche multifonctions trois fois de suite

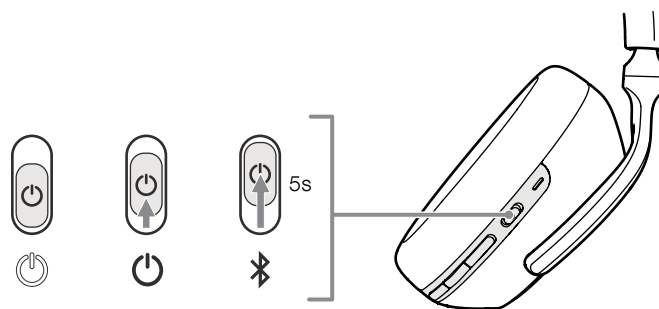


Figure 1  
Mise en marche

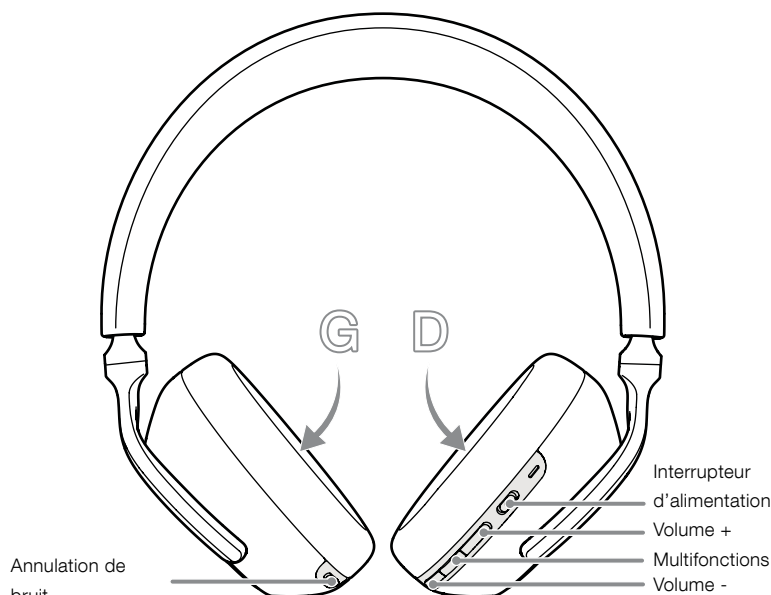


Figure 2  
Commandes du casque

Voyant lumineux	Etat de fonctionnement
Blanc	Charge de la batterie > 30%
Orange	Charge de la batterie entre 30% et 10%
Rouge	Charge de la batterie < 10%
Rouge clignotant	Niveau de batterie insuffisant pour le fonctionnement du casque
Bleu clignotant	Mode jumelage en cours
Bleu (continu pendant 2 secondes)	Jumelage établi
Bleu clignotant (appels)	Appel entrant
Vert clignotant	En cours de charge
Vert continu	Batterie chargée, maintien de la charge

Figure 3  
États du voyant lumineux

### 2.3 Indicateur d'état

Le voyant lumineux est situé au niveau de l'écouteur droit, la figure 3 détaille ses différents états.

## 3. Fonctions intelligentes

### 3.1 Suppression adaptative du bruit

La suppression de bruit est un ensemble de technologies avancées qui permettent d'éliminer le bruit indésirable issu de l'environnement.

Le PX7 est doté de nos dernières innovations en matière de réduction de bruit adaptative, et notamment un procédé de détection intelligente qui sélectionne le mode de réduction du bruit et le réglage qui convient le mieux à votre environnement d'écoute. Si votre lieu d'écoute change, le système d'annulation du bruit s'adaptera automatiquement à ce nouvel environnement.

Le bouton de suppression du bruit, situé au niveau de l'écouteur gauche, permet de sélectionner de façon cyclique les différents modes. Reportez-vous à la figure 2 pour l'emplacement des différents boutons:

Mode	Application
Haut	Convient pour les environnements constamment bruyants comme une cabine d'avion
Bas	Convient pour les environnements où vous devez rester conscient de votre entourage
Auto	Choisit intelligemment le mode le mieux adapté à votre environnement courant
Off	Désactive la suppression de bruit.

### 3.2 Transmission du bruit ambiant

Le PX7 dispose d'une fonction de transmission du bruit ambiant qui permet d'entendre certains sons issus de votre entourage immédiat, comme les annonces de sécurité ou les conversations, sans avoir à ôter votre casque.

Le bouton qui commande la suppression de bruit au niveau de l'écouteur gauche, gère aussi cette fonction, reportez-vous à la figure 2 pour l'emplacement de ce bouton.

Fonction	Action
Activer la fonction de transmission de bruit	Gardez appuyé le bouton de suppression du bruit pendant 2 secondes
Désactiver la fonction de transmission de bruit	Lorsque la fonction de transmission du bruit est activé, maintenez enfoncé ou simplement appuyez sur le bouton de suppression du bruit pendant 2 secondes. Le casque va alors revenir au précédent mode de suppression de bruit.

Le niveau de transmission du bruit ambiant peut ensuite être ajusté à votre goût personnel via l'application Casque Bowers & Wilkins.

### 3.3 Capteurs de port

Le PX7 intègre des capteurs de proximité de dernière génération situés dans chaque oreillette (voir la figure 4), permettant une gestion intelligente de la batterie en faisant basculer le casque en mode veille dès qu'il est ôté de la tête. Lorsque vous le portez à nouveau, le PX7 repasse automatiquement en marche et se connecte au dernier périphérique Bluetooth utilisé.

Pendant la lecture d'un contenu audio, le PX7 se met en pause de façon automatique lorsque l'un des écouteurs est soulevé de l'oreille. La lecture reprend automatiquement lorsque l'écouteur est remis en place. La reprise automatique de la lecture a été optimisée : l'écoute ne redémarrera que lorsque vous serez vraiment « prêt ». Autrement dit, le casque n'essayera pas de reprendre la lecture dans les cas suivants :

1. Le casque est en cours de démarrage depuis le mode arrêt.
2. Le casque sort de l'état de veille.
3. Le casque redémarre (comme après une réinitialisation aux paramètres usine).

La sensibilité des capteurs de port par rapport à la mise en marche ou en veille de votre casque peut être ajustée au moyen de l'application Casque Bowers & Wilkins.

*Remarque: lorsque vous portez votre casque, faites attention à ne pas coincer une mèche de cheveux, des boucles d'oreilles ou une branche de lunettes entre vos oreilles et les oreillettes du casque. Cela peut pénaliser le bon fonctionnement des capteurs de proximité.*

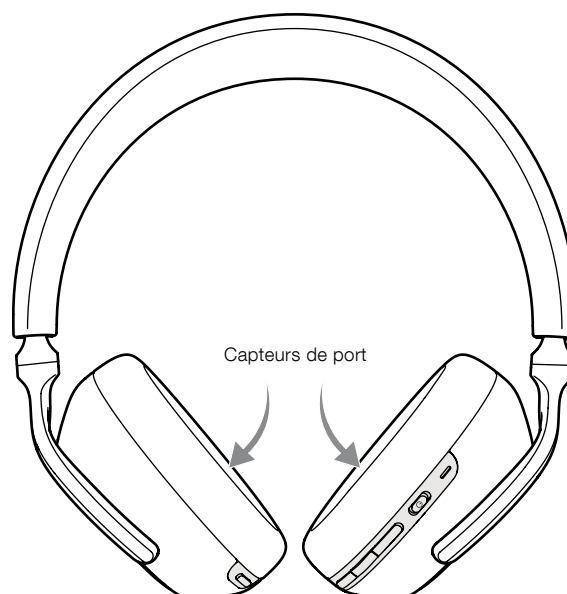


Figure 4  
Emplacement des capteurs de port

## 4. Chargement de la batterie et économie d'énergie

Votre PX7 est livré avec sa batterie partiellement chargée, il peut être utilisé immédiatement. Il est toutefois préférable de recharger complètement votre casque avant sa première utilisation. Une charge complète peut nécessiter jusqu'à 3 heures. Le casque peut être utilisé pendant la charge.

Pour recharger :

1. Utilisez le câble de charge fourni et connectez la prise USB-A à un chargeur mural ou à un ordinateur dont la prise USB-A est alimentée.
2. Puis connectez l'extrémité USB-C du câble à la prise USB du casque.

*Remarque: pendant le chargement, le voyant lumineux du casque clignotera en vert. Lorsqu'il est complètement chargé, celui-ci restera allumé de façon continue. Reportez-vous à la figure 3 pour avoir la liste des différents états de l'indicateur lumineux.*

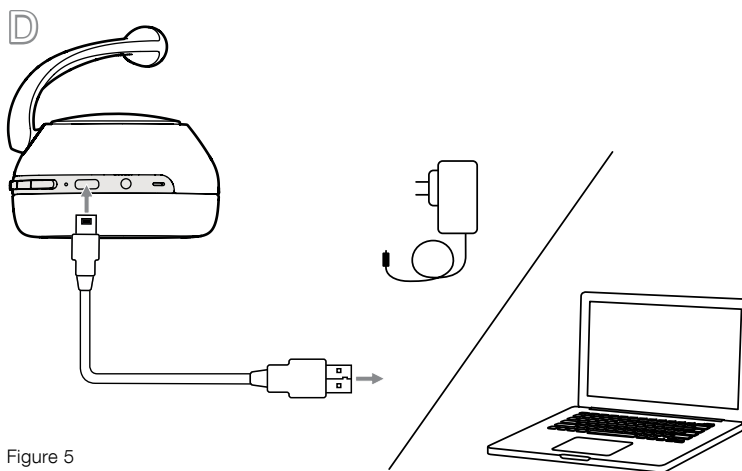


Figure 5  
Branchement du câble USB-C

### 4.1 Économie d'énergie en veille

Les capteurs de proximité du PX7 permettent d'économiser de façon intelligente l'énergie de la batterie. Lorsqu'il est ôté de votre tête, le PX7 passe automatiquement en mode veille. La lecture du contenu audio passe en pause, le casque se déconnecte du Bluetooth et bascule dans un mode de faible consommation d'énergie.

Lorsqu'il est porté à nouveau, le PX7 se réveille et se reconnecte à la dernière source Bluetooth utilisée. Pour un fonctionnement correct, les deux oreillettes doivent détecter que le casque est porté. Si les capteurs de port sont désactivés dans l'application, cette fonctionnalité sera également inactive.

Grâce à l'application, vous pouvez personnaliser le temps que le casque mettra avant de passer automatiquement en mode veille, pour cela rendez-vous au niveau du réglage Standby Timer dans le menu Settings de l'application.



## 5. Porter votre casque

Porter correctement votre casque vous permettra d'avoir la meilleure expérience d'écoute possible. Reportez-vous à la figure 6.

1. Identifiez les oreillettes gauche et droite en recherchant les symboles d'identification L (Gauche) et R (Droit) situés à l'intérieur de chacun des écouteurs.
2. Portez le casque en rapport avec ces indications, et ajustez la bande de tête pour que le casque repose confortablement sur votre tête.

*Remarque: porter des lunettes peut modifier le profil de vos oreilles et ainsi pénaliser les performances de votre casque. De même, la présence de cheveux entre vos oreilles et les oreillettes de votre casque peut perturber le bon fonctionnement des capteurs de proximité.*



Figure 6  
Comment porter votre casque

## 6. Connexion Bluetooth

### 6.1 Jumelage

Le PX7 est conçu pour diffuser du contenu audio sans fil à partir de périphériques audio Bluetooth tels que smartphones, tablettes ou ordinateurs personnels. Pour ce faire, le casque et l'appareil source doivent d'abord être jumelés.

1. Lorsque vous allumerez votre casque pour la première fois, le mode de jumelage Bluetooth sera actif par défaut et l'indicateur clignotera en bleu. Si, le cas échéant, le mode de jumelage Bluetooth n'était pas actif, faites glisser vers le haut (vers le symbole Bluetooth) et maintenez l'interrupteur d'alimentation pendant 5 secondes, puis relâchez le quand le voyant lumineux clignotera en bleu et qu'un signal sonore sera émis par le casque.
2. Assurez-vous d'avoir activé la fonction Bluetooth au niveau du périphérique audio. Le PX7 devrait alors apparaître dans la liste des appareils Bluetooth. Sélectionnez-le pour le jumeler.
3. Pendant le jumelage, le voyant lumineux va clignoter en bleu. Il passera au bleu continu quand le jumelage sera réalisé. Le casque émettra également un signal sonore de confirmation.

Votre casque peut mémoriser jusqu'à huit appareils Bluetooth. Répétez les étapes ci-dessus pour jumeler des appareils supplémentaires.

*Remarque: votre casque sortira automatiquement du mode de jumelage Bluetooth si aucun appareil n'est jumelé après un délai de 5 minutes. Si le jumelage échoue, l'indicateur lumineux va clignoter rapidement en bleu. Dans ce cas, recommencez la procédure de connexion ci-dessus.*

### 6.2 Connexions Bluetooth multiples

Le PX7 peut être connecté simultanément à deux périphériques Bluetooth, toutefois vous ne pourrez écouter un flux audio ou prendre un appel que depuis un seul appareil à la fois.

Pour basculer entre les deux appareils :

1. Mettez le son sur pause sur le premier appareil ou utilisez le bouton multifonctions du PX7.
2. Lancez la lecture audio sur le deuxième appareil. Le casque va alors basculer sur celui-ci.

Lors de l'écoute d'un flux audio, le fait de recevoir un appel sur le second appareil mettra automatiquement la lecture en pause. L'appel sera automatiquement acheminé vers votre casque. Mettre fin à l'appel fera automatiquement reprendre la lecture sur le premier appareil.

### 6.3 Déconnexion d'un appareil

Vous pouvez rapidement déconnecter le PX7 d'un périphérique Bluetooth en faisant glisser rapidement deux fois de suite l'interrupteur d'alimentation vers le haut (vers le symbole Bluetooth). Un message sonore confirmera la déconnexion.

Vous pouvez également gérer plus en détail la connexion Bluetooth au moyen de l'application Bowers & Wilkins Casque à la page Connexions.

### 6.4 Configuration d'un casque avec l'application

L'application Bowers & Wilkins Casques offre une configuration étendue ainsi que des réglages pour certaines fonctions comme la suppression de bruit, la transmission du bruit ambiant ainsi que les capteurs de proximité. L'application permet également d'effectuer des réglages personnalisés qui concernent l'invite vocale, le temps pour la mise en veille, la gestion des connexions et les mises à jour logicielles (firmware). L'application est disponible en téléchargement gratuit pour les appareils iOS et Android.

Pour ajouter votre casque à l'application :

1. Depuis votre appareil mobile, téléchargez et installez l'application Casque Bowers & Wilkins.
2. Lancez l'application, puis lisez et suivez les instructions relatives aux notifications et autorisations de l'application.
3. Au niveau de l'écran principal, appuyez simplement sur + et suivez les instructions fournies par l'application.

### 6.5 Mises à jour du logiciel interne du casque

Bowers & Wilkins met régulièrement à disposition des mises à jour logicielles qui améliorent et optimisent les performances de votre casque ou qui ajoutent de nouvelles fonctionnalités.

L'application Bowers & Wilkins Casque vous avertira si une mise à jour logicielle est disponible. Appuyez sur la notification et suivez les instructions que vous propose l'application.

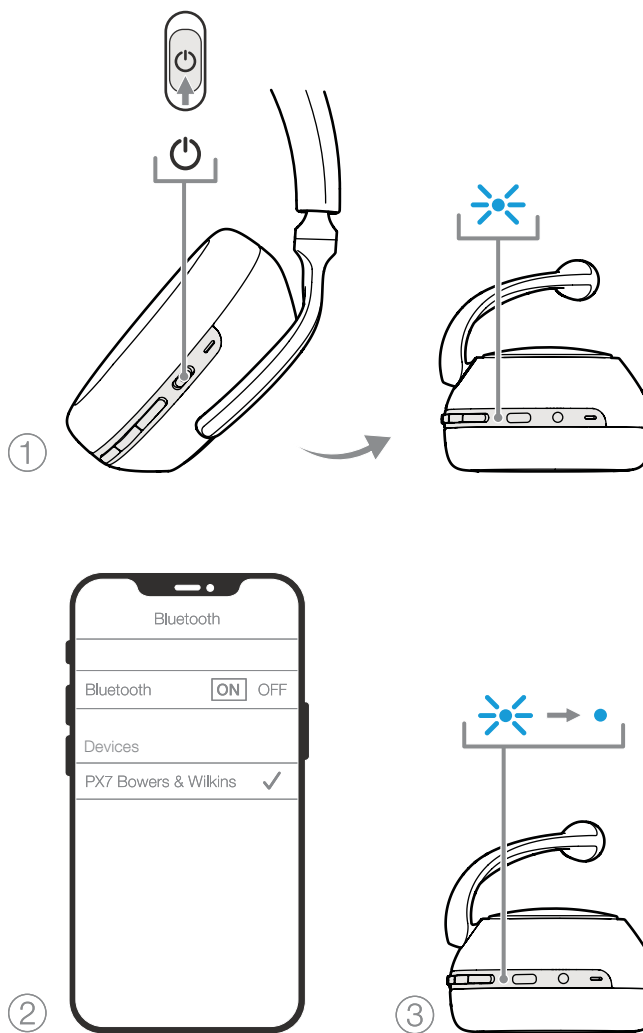


Figure 7  
Jumelage Bluetooth

## 7. Connexion auxiliaire

En plus de la liaison sans fil Bluetooth, votre PX7 peut également se connecter à une source audio à l'aide du câble audio 3,5 mm fourni ou via un câble USB.

### 7.1 Connexion avec le câble audio 3,5 mm

Le câble audio mini-jack stéréo de 3,5 mm permet à votre PX7 d'être utilisé avec un appareil source doté d'une sortie analogique (comme la prise casque classique d'un smartphone ou d'une tablette) ou avec un système hi-fi traditionnel. Voir la figure 8.

1. Insérez le câble audio 3,5 mm dans la prise casque 3,5 mm de l'oreillette droite.
2. Prenez l'autre extrémité et insérez-la dans la prise correspondante de votre appareil source.
3. Votre PX7 se déconnectera automatiquement de tous les périphériques Bluetooth.

**Remarque:** votre casque doit être suffisamment chargé et mis en marche pour restituer le flux audio issu d'un appareil source analogique. Le réglage de volume et les boutons lecteur/pause ne seront pas fonctionnels lors de l'utilisation de la connexion mini-jack 3.5.

### 7.2 Connexion avec le câble USB

La connexion USB permet à votre PX7 de fonctionner en tant que périphérique de sortie audio USB lorsqu'il est connecté à un ordinateur.

1. Insérez le câble USB-C dans la prise casque USB-C de l'oreillette droite.
2. Prenez l'extrémité USB Type A et insérez-la dans la prise correspondante de votre appareil source.
3. Votre PX7 se déconnectera automatiquement de tous les périphériques Bluetooth.
4. Au niveau du panneau de configuration, recherchez et sélectionnez votre casque en tant que sortie audio de votre ordinateur.

**Remarque :** Lorsque votre casque est connecté au port USB d'un ordinateur, la batterie est simultanément rechargée.

## 8. Arrêt-Marche et réinitialisation

### 8.1 Arrêt-Marche

Vous pouvez éteindre et rallumer votre PX7 en maintenant appuyé en même temps les deux boutons Volume + et Volume – pendant 10 secondes, jusqu'à ce que le voyant lumineux s'éteigne. Le voyant va ensuite se rallumer. Cette opération Arrêt-Marche de votre casque ne réinitialisera pas les paramètres et n'effacera pas la liste des appareils jumelés.

### 8.2 Réinitialiser aux valeurs par défaut

Vous pouvez si vous le souhaitez effacer la liste de tous les appareils jumelés et restaurer tous les paramètres du casque à leurs valeurs par défaut. Le PX7 étant en marche, maintenez appuyé simultanément les boutons Volume +, Volume – et Suppression du bruit pendant 10 secondes jusqu'à ce que l'indicateur lumineux s'éteigne, relâchez les lorsque l'indicateur se rallume, le casque sera alors prêt à être jumelé à un appareil source. Vous pouvez également réinitialiser votre casque à partir de l'application Bowers & Wilkins Casque, pour cela sélectionnez Reset dans le menu Settings de l'application.

## 9. Entretien et maintenance

### 9.1 Stockage de votre PX7

En prenant soin de votre PX7, vous aurez la garantie qu'il continuera à vous offrir toujours la meilleure qualité et la même expérience d'écoute.

Lorsqu'il n'est pas utilisé, rangez votre casque dans sa pochette de rangement (fournie). Au préalable, nous vous recommandons d'éteindre votre casque.

1. Faites coulisser la bande de tête de chaque côté de façon à réduire sa taille au minimum.
2. Avec les boutons face à vous, faites pivoter les oreillettes vers l'intérieur afin qu'elles soient bien à plat.
3. Placez le casque dans sa housse de rangement.

### 9.2 Nettoyage de votre PX7

Votre PX7 peut être nettoyé avec un chiffon en microfibre doux et légèrement humide. Avec le chiffon, essuyez-le doucement ou tamponnez-le.

Le tissu de votre PX7 a été spécialement traité contre l'humidité et les taches. Si de la saleté, des taches, des fibres ou des résidus se sont accumulés sur la surface du tissu, veuillez le nettoyer comme indiqué ci-dessus.

- NE PAS frotter de manière forte, ni utiliser de produits abrasifs pour le nettoyage, en particulier sur les parties en tissu.
- N'utilisez PAS de papier absorbant (essuie-tout), de serviettes ou de mouchoirs en papier qui seraient susceptibles de laisser des résidus.
- N'utilisez PAS de détergent, d'eau savonneuse, de cire ou de nettoyants chimiques.
- Assurez-vous qu'il n'y a pas d'humidité qui puisse pénétrer au niveau des écouteurs, des boutons et des prises de connexions.

## 10. Assistance

Si vous avez besoin d'aide ou de conseils supplémentaires concernant votre PX7, rendez-vous sur notre site web d'aide consacré aux casques à cet adresse [www.bowerswilkins.com/support](http://www.bowerswilkins.com/support)

### Informations environnementales

Ce produit est en conformité avec les directives internationales, y compris, mais sans s'y limiter avec la Restriction d'utilisation des Substances dangereuses (RoHS) pour l'environnement pour les équipements électriques et électroniques, l'enregistrement, l'évaluation, l'autorisation et la restriction d'utilisation des produits chimiques (REACH) et l'élimination des Déchets Electriques et Electroniques (DEEE). Consultez votre autorité locale d'élimination des déchets pour des conseils sur la façon de bien recycler ou d'éliminer ce produit.

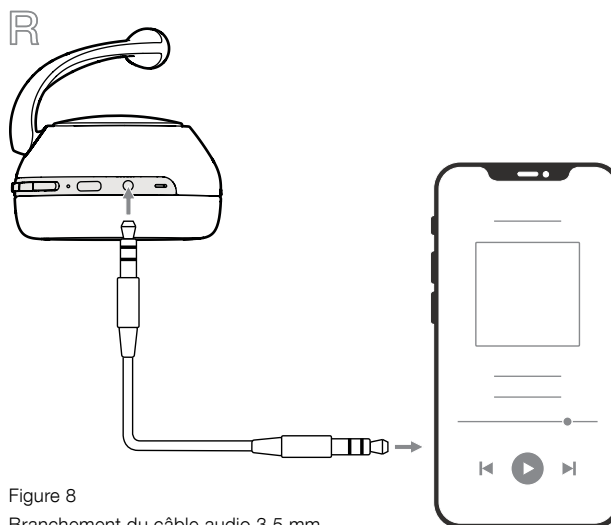


Figure 8  
Branchement du câble audio 3,5 mm

## Spécifications

Type de port	Casque sans fil Bluetooth circum-auriculaire
Caractéristiques techniques	Annulation adaptative du bruit Transmission du bruit ambiant Capteurs de proximité Audio Bluetooth® – Bluetooth 5.0 avec aptX™ Adaptive Port USB-C pour rechargement et interface audio Interface audio auxiliaire 3,5 mm
Codecs Bluetooth	aptX™ Adaptive aptX™ HD aptX™ Classic AAC SBC
Profils Bluetooth	A2DP v1.3.1 AVRCP v1.6.1 HFP v1.7.1 HSP v1.2 BLE GATT (Profil d'attribut générique)
Haut-parleurs	2 x ø 43,6 mm large bande
Micros	4x micros pour suppression de bruit 2x micros pour la téléphonie (CVC2 – Clear Voice Communication v2)
Gamme de fréquences	10Hz à 30kHz
Impédance d'entrée	20 kOhms
Distorsion (THD)	<0,3% (1kHz / 10mW)
Type de batterie	Lithium Polymère rechargeable
Autonomie de la batterie et recharge	30 heures en Bluetooth avec ANC, 5h avec 15min de charge
Entrées	Bluetooth, prise stéréo 3,5 mm, audio USB-C
Accessoires fournis	Câble audio stéréo 1,2 m, câble USB-A à USB-C 1,2 m, étui de rangement
Poids	310 grammes



## Willkommen bei Bowers & Wilkins und PX7

Vielen Dank, dass Sie sich für Bowers & Wilkins entschieden haben. Als John Bowers unser Unternehmen gründete, war er überzeugt, dass ein innovatives Design sowie beste Ingenieurskunst und zukunftsweisende Technologien der Schlüssel für ein einzigartiges Klangerlebnis in Ihrem Zuhause sind. Diese Überzeugung teilen wir noch heute: Sie bildet nach wie vor die Inspiration und die Grundlage für alle von uns entwickelten Produkte.

Der Bowers & Wilkins PX7 ist ein hochwertiger Over-Ear-Kopfhörer, der den Hörer mit bester Klangqualität, kabelloser Freiheit und dank adaptiver Geräuschunterdrückung mit einem erstklassigen Nutzererlebnis verwöhnt. In dieser Bedienungsanleitung erfahren Sie alles, was Sie wissen müssen, um Ihren PX7-Kopfhörer optimal nutzen zu können.

Die Musik kann via Bluetooth kabellos von Ihrem Handy, Tablet oder Computer zum PX7 gestreamt werden. Es ist aber auch möglich, eine kabelgebundene Verbindung mit einem passenden Kopfhörerausgang herzustellen. Zudem kann der PX7 für die Musikwiedergabe über USB mit einem Computer verbunden und zum kabellosen Telefonieren genutzt werden.

Zu den Real-World-Listening-Funktionen des PX7 gehören unsere jüngsten Innovationen in den Bereichen Geräuschunterdrückung (Adaptive Noise Cancellation), Umgebungfilter (Ambient Pass-Through) sowie verbesserte Näherungssensor-Technologien. Unsere Geräuschunterdrückung der neuesten Generation wurde von Grund auf mit intelligenten Umgebungserkennungsfunktionen entwickelt und wählt automatisch die für Ihre Umgebung am besten geeignete Geräuschunterdrückungsart aus. Einziges Ziel ist es, ein kompromissloses Hörerlebnis zu bieten. Dank der Umgebungfilter-Funktion sind externe Geräusche, wie Gespräche oder Sicherheitsansagen, deutlich hörbar, sodass Sie den Kopfhörer nicht abnehmen müssen. Die Näherungssensor-Funktion sorgt dafür, dass der PX7 Ihre Musik automatisch pausiert, wenn Sie eine Hörmuschel anheben. Die Musikwiedergabe wird fortgesetzt, sobald Sie die Hörmuschel wieder senken. Diese Funktionen können über die Bowers & Wilkins Headphones App, die kostenlos auf iOS- und Android-Geräten verfügbar ist, aktiviert und weiter angepasst werden.

Der PX7 besitzt einen integrierten Akku. Abhängig von der Bluetooth-Nutzung, dem Einsatz der Geräuschunterdrückung und des Umgebungsfilters sind bei aktivierter Geräuschunterdrückung und durchschnittlichen Lautstärkepegeln bis zu 30 Stunden Musikwiedergabe möglich.



## 1. PX7 Kartoninhalt

PX7 Kopfhörer  
Transporttasche  
USB-C Ladekabel  
3,5 mm Audiokabel  
Zugehörige Unterlagen

## 2. Lernen Sie Ihren PX7 kennen

### 2.1 Kopfhörer ein- und ausschalten

Abbildung 1 zeigt die Funktionen des Power-Schalters.

#### Einschalten

Der Power-Schalter befindet sich an der rechten Hörmuschel. Schieben Sie den Power-Schalter in die mittlere Position. Sie hören ein akustisches Signal. Sie hören ein akustisches Signal. Je nach Ladezustand leuchtet die LED-Anzeige grün, gelb oder rot.

#### Ausschalten

Schieben Sie den Power-Schalter in die untere Position. Sie hören ein akustisches Signal. Der Kopfhörer ist ausgeschaltet, wenn die LED-Anzeige nicht mehr leuchtet.

### 2.2 Kopfhörer-Steuerung

Abbildung 2 zeigt die Bedienelemente des Kopfhörers. Die folgenden Tasten an der rechten Hörmuschel werden für die Medienwiedergabe verwendet:

Funktion	Bedienung
Wiedergabe oder Pause	Multifunktionstaste einmal drücken.
Nächsten Titel abspielen	Multifunktionstaste zweimal kurz hintereinander drücken. <i>Hinweis: Diese Funktion ist abhängig vom Quellgerät.</i>
Vorherigen Titel abspielen	Multifunktionstaste dreimal kurz hintereinander drücken. <i>Hinweis: Diese Funktion ist abhängig vom Quellgerät.</i>
Lautstärke erhöhen	Taste Lautstärke + drücken.
Lautstärke verringern	Taste Lautstärke - drücken.

Die folgenden Tasten an der rechten Hörmuschel werden für die Anruhfunktion verwendet:

Funktion	Bedienung
Anruf annehmen oder beenden	Multifunktionstaste einmal drücken.
Eingehenden Anruf annehmen	Wenn ein Anruf eingeht, einmal die Multifunktionstaste drücken.
Eingehenden Anruf ablehnen	Wenn ein Anruf eingeht, Multifunktionstaste 2 Sekunden lang gedrückt halten.
Zwischen zwei Anrufen wechseln	Drücken Sie bei zwei aktiven Anrufen die Multifunktionstaste zweimal.
Zwei Anrufe zusammenführen	Halten Sie bei zwei aktiven Anrufen die Multifunktionstaste 1 Sekunde lang gedrückt.
Stummschaltung	Drücken Sie während eines Gesprächs dreimal die Multifunktionstaste.

### 2.3 Statusanzeige

Die LED-Statusanzeige befindet sich an der rechten Hörmuschel. Abbildung 3 erläutert die Beleuchtungszustände.

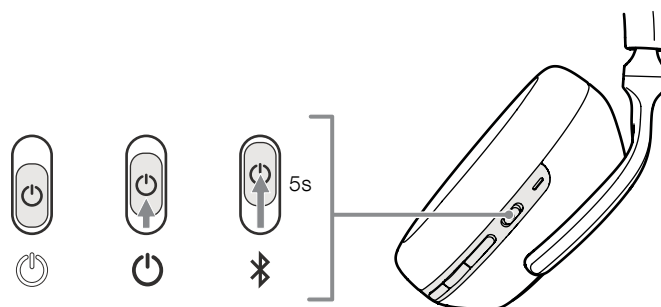


Abbildung 1  
Funktionen des Power-Schalters

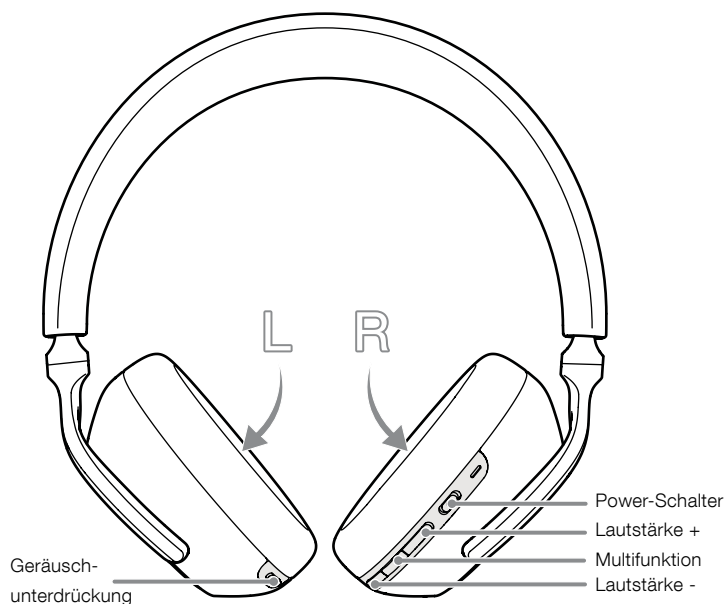


Abbildung 2  
Kopfhörer-Bedienelemente

Anzeige	Betriebszustand
Weiß	Akkuladung >30 %
Gelb	Akkuladung zwischen 30 % und 10 %
Rot	Akkuladung <10 %
Blinkt rot	Akkuladung reicht für den Kopfhörer-Betrieb nicht aus
Blinkt blau	Pairing-Modus aktiviert
Blau (2 Sek. konstant)	Pairing erfolgreich
Blinkt blau (Anrufe)	Eingehender Anruf
Blinkt grün	Schnelles Laden
Grün konstant	Akkuladung voll, Erhaltungsladung

Abbildung 3  
Statusanzeige

### 3. Intelligente Funktionen

#### 3.1 Adaptive Geräuschunterdrückung

Mit Hilfe der Geräuschunterdrückung können unerwünschte Geräusche aus der Umgebung entfernt werden.

Der PX7 ist mit unseren jüngsten Innovationen in der adaptiven Geräuschunterdrückung ausgestattet, einschließlich intelligenter Sensorik, die die Geräuschunterdrückung und -abstimmung an Ihre Umgebung anpasst. Wenn sich Ihre Umgebung ändert, passt sich die Geräuschunterdrückung automatisch an Ihre neue Umgebung an.

Mit der Geräuschunterdrückungstaste an der linken Hörmuschel können Sie zwischen den folgenden Modi wechseln (siehe Abbildung 2 für die Position der Tasten):

Modus	Anwendung
Hoch	Geeignet für dauerhaft laute Umgebungen wie z. B. Flugzeugkabinen.
Niedrig	Geeignet für Umgebungen, in denen Sie Geräusche in unmittelbarer Nähe hören wollen.
Auto	Passt die Geräuschunterdrückung auf intelligente Weise an Ihre aktuelle Umgebung an.
Aus	Deaktiviert die Geräuschunterdrückungsfunktion.

#### 3.2 Umgebungsfilter

Dank des Umgebungsfilters kann der Nutzer bestimmte Geräusche (z. B. Gespräche oder Sicherheitsansagen) hören, ohne den Kopfhörer abnehmen zu müssen.

Diese Funktion wird ebenfalls mit der Geräuschunterdrückungstaste an der linken Hörmuschel gesteuert. Abbildung 2 zeigt die Position dieser Taste.

Funktion	Bedienung
Umgebungsfilter aktivieren	Geräuschunterdrückungstaste 2 Sekunden lang gedrückt halten.
Umgebungsfilter deaktivieren	Halten Sie bei aktiviertem Umgebungsfilter die Geräuschunterdrückungstaste gedrückt oder drücken Sie sie einmal für 2 Sekunden. Der Kopfhörer kehrt in den vorherigen Geräuschunterdrückungsmodus zurück.

In der Bowers & Wilkins Headphones App kann der Durchlass von Umgebungsgeräuschen weiter an Ihre Bedürfnisse angepasst werden.

#### 3.3 Näherungssensoren

Der PX7 verfügt über unsere neueste Bewegungssensorik in beiden Hörmuscheln (siehe Abbildung 4), um den Akku zu schonen, indem der Kopfhörer in den Standby-Modus wechselt, wenn er abgenommen wird. Beim erneuten Aufsetzen aktiviert sich der PX7 automatisch und verbindet sich mit dem zuletzt verwendeten Bluetooth-Gerät.

Während der Musikwiedergabe pausiert der PX7 automatisch, wenn eine der beiden Hörmuscheln vom Ohr abgehoben wird. Die Musikwiedergabe wird fortgesetzt, sobald Sie die Hörmuschel wieder senken. Das automatische Fortsetzen der Wiedergabe wurde weiter auf Benutzerfreundlichkeit optimiert. Dies bedeutet, dass der Kopfhörer unter folgenden Bedingungen nicht versucht, die Wiedergabe fortzusetzen:

1. Der Kopfhörer wird aus dem ausgeschalteten Zustand eingeschaltet.
2. Der Kopfhörer erwacht aus dem Standby-Zustand.
3. Der Kopfhörer wird neu gestartet (z. B. nach Zurücksetzen auf die Werkseinstellungen).

Näherungssensor und Standby können über die Bowers & Wilkins Headphones App eingestellt werden.

*Hinweis: Brillen, Ohringe und Haare, die zwischen Ihren Ohren und den Hörmuscheln eingeklemmt sind, können die Leistung der Näherungssensoren beeinträchtigen.*



Abbildung 4  
Position der Näherungssensoren

## 4. Aufladen des Akkus und Stromsparmfunktion

Der PX7 wird mit teilweise geladenem Akku ausgeliefert und kann sofort verwendet werden. Es hat sich jedoch bewährt, den Akku vor der ersten Inbetriebnahme vollständig aufzuladen. Das vollständige Aufladen kann bis zu 3 Stunden dauern. Sie können jedoch die Kopfhörer während des Ladevorgangs verwenden.

Aufladen:

1. Bitte verwenden Sie das mitgelieferte Ladekabel und verbinden Sie den USB-A-Stecker mit einem USB-Ladegerät oder der USB-A-Buchse eines Computers.
2. Schließen Sie dann das USB-C-Ende an die USB-C-Buchse des Kopfhörers an

*Hinweis: Während des Ladens blinkt die Leuchtanzeige grün. Ist der Akku vollständig geladen, leuchtet die LED dauerhaft. Einzelheiten zur Statusanzeige finden Sie in Abbildung 3.*

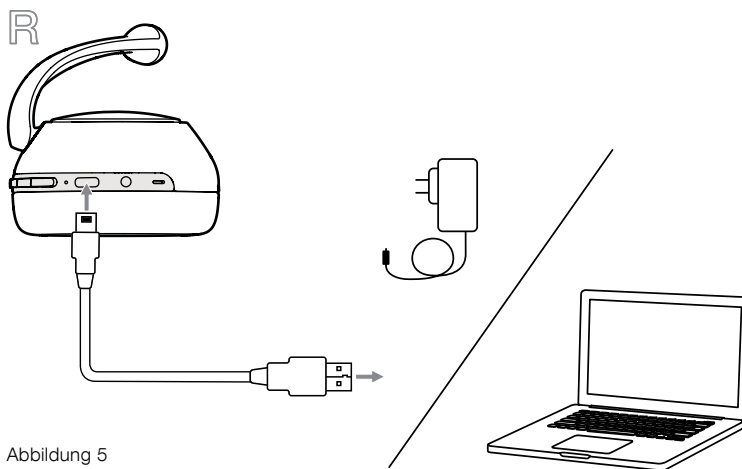


Abbildung 5  
USB-C-Kabelverbindung

### 4.1 Standby-Stromsparmmodus

Die Näherungssensoren des PX7 sparen intelligent Strom. Sobald Sie den Kopfhörer abnehmen, wechselt der PX7 automatisch in den Standby-Modus, wodurch die Medienwiedergabe unterbrochen, die Bluetooth-Verbindung getrennt und der Stromverbrauch gesenkt wird.

Beim erneuten Aufsetzen aktiviert sich der PX7 und stellt die Verbindung zur zuletzt verbundenen Bluetooth-Quelle wieder her. Damit dies einwandfrei funktioniert, müssen beide Ohrmuscheln das Abnehmen bzw. Aufsetzen erkennen. Wenn die Näherungssensoren über die App deaktiviert werden, wird auch diese Funktion deaktiviert.

In der App können Sie festlegen, wie lange der Kopfhörer vor dem automatischen Standby warten soll. Weitere Informationen finden Sie in der App unter „Einstellungen“ und „Standby-Timer“.

## 5. Einsatz Ihres Kopfhörers

Das bestmögliche Klangerlebnis erzielen Sie, wenn Sie Ihre Kopfhörer richtig aufsetzen. Siehe Abbildung 6.

1. Identifizieren Sie die linke und rechte Seite anhand der Kennzeichnung auf der Innenseite jeder Ohrmuschel.
2. Stellen Sie den Kopfbügel so ein, dass die Kopfhörer bequem auf Ihrem Kopf aufliegen.

*Hinweis: Durch das Tragen einer Brille kann die Leistung des Kopfhörers beeinträchtigt werden. Ähnliches gilt für die Näherungssensoren, wenn Haare zwischen Ihren Ohren und den Hörmuscheln eingeklemmt sind.*

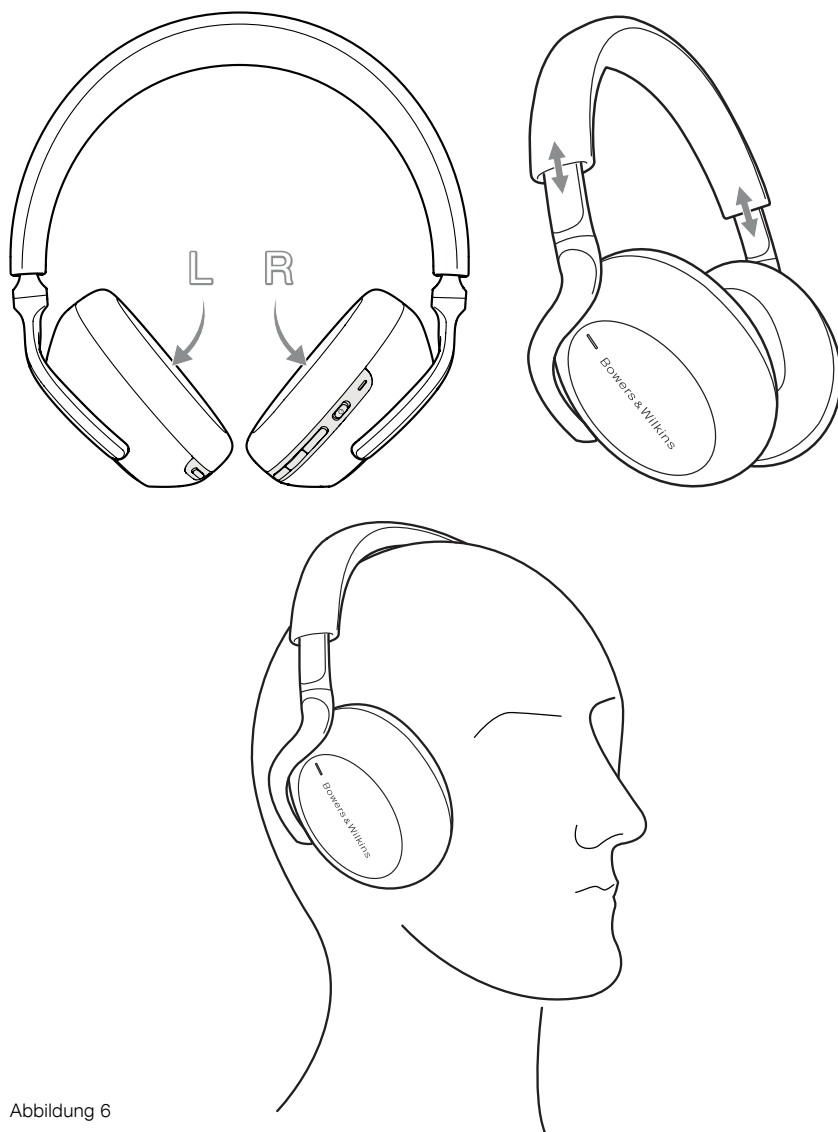


Abbildung 6  
Einsatz Ihres Kopfhörers

## 6. Bluetooth-Verbindung

### 6.1 Bluetooth-Kopplung

Der PX7 dient zum kabellosen Streamen von Bluetooth-Audiogeräten wie Smartphones, Tablets oder PCs. Dazu müssen Kopfhörer und Gerät (Quelle) zunächst gekoppelt werden.

1. Wenn Sie Ihren Kopfhörer zum ersten Mal einschalten, wird der Bluetooth-Pairing-Modus aktiviert und die Anzeige blinkt blau. Wenn der Pairing-Modus nicht aktiviert ist, schieben Sie den Power-Schalter 5 Sekunden lang in die obere Position (Bluetooth-Symbol). Lassen Sie ihn los, wenn die Anzeige blau blinkt und ein akustisches Signal ertönt.
2. Stellen Sie sicher, dass die Bluetooth-Funktion auf dem Audiogerät aktiviert ist. Der PX7 wird in der Geräteliste angezeigt. Wählen Sie ihn zum Koppeln aus.
3. Die Anzeige blinkt blau, während die Kopplung läuft. Wenn die Kopplung erfolgreich ist, wechselt die Anzeige auf durchgehend blau und es Sie hören ein akustisches Signal.

Ihr Kopfhörer kann sich bis zu acht gepaarte Bluetooth-Geräte merken. Wiederholen Sie die obigen Schritte, um weitere Geräte zu koppeln.

*Hinweis: Ihr Kopfhörer verlässt den Bluetooth-Kopplungsmodus automatisch, wenn fünf Minuten lang keine Kopplung mit einem Gerät stattgefunden hat. Wenn die Kopplung fehlschlägt, blinkt die Anzeige schnell blau. Bitte versuchen Sie die Kopplung erneut.*

### 6.2 Mehrere Bluetooth-Verbindungen

Der PX7 kann mit zwei Geräten gleichzeitig verbunden werden. Allerdings ist die Audiowiedergabe oder das Entgegennehmen von Anrufen nur jeweils von einem Gerät möglich.

So wechseln Sie zwischen zwei Geräten:

1. Halten Sie die Audiowiedergabe auf dem ersten Gerät an oder verwenden Sie die PX7-Multifunktionsstaste.
2. Wenn Sie nun Sie Audio vom zweiten Gerät wiedergeben, schaltet der Kopfhörer um.

Beim Streamen von Audio wird die Wiedergabe automatisch unterbrochen, wenn ein Anruf auf dem zweiten Gerät eingeht. Der Anruf wird automatisch an Ihren Kopfhörer weitergeleitet. Durch Beenden des Anrufs wird die Wiedergabe vom ersten Gerät an automatisch fortgesetzt.

### 6.3 Verbindung zu einem Gerät trennen

Sie können den PX7 schnell von einem Gerät trennen, indem Sie den Power-Schalter zweimal kurz hintereinander in die obere Position (Bluetooth-Symbol) schieben. Ein Signalton zeigt an, dass die Verbindung erfolgreich getrennt wurde.

Alternativ können Sie die Verbindung mit der Bowers & Wilkins Headphones App verwalten.

### 6.4 Kopfhörer mit der App einrichten

Die Bowers & Wilkins Kopfhörer-App bietet erweiterte Einstellungs- und Anpassungsmöglichkeiten für Funktionen wie adaptive Geräuschunterdrückung, Ambient Pass-Through und Näherungssensoren. Die App ermöglicht zudem weitere Anpassungen wie Sprachansage, Standby-Zeit, Verbindungsmanagement und Software-Updates für die Kopfhörer. Diese App steht für iOS- und Android-Geräte kostenlos zum Download bereit.

So fügen Sie Ihre Kopfhörer hinzu:

1. Laden Sie die Bowers & Wilkins Headphones App auf Ihrem Mobilgerät herunter und installieren Sie sie.
2. Starten Sie dazu die App und befolgen Sie die Anweisungen zu Benachrichtigungen und Berechtigungen der App.
3. Tippen Sie im Hauptbildschirm der App einfach auf + und befolgen Sie die Anweisungen in der App.

### 6.5 Software-Updates für die Kopfhörer

Bowers & Wilkins stellt gelegentlich Software-Updates zur Verfügung, mit denen Sie die Leistung Ihrer Kopfhörer optimieren oder neue Funktionen hinzufügen können.

Die Bowers & Wilkins Headphones App benachrichtigt Sie, wenn ein Software-Update verfügbar ist. Tippen Sie auf die Benachrichtigung und folgen Sie den Anweisungen in der App.

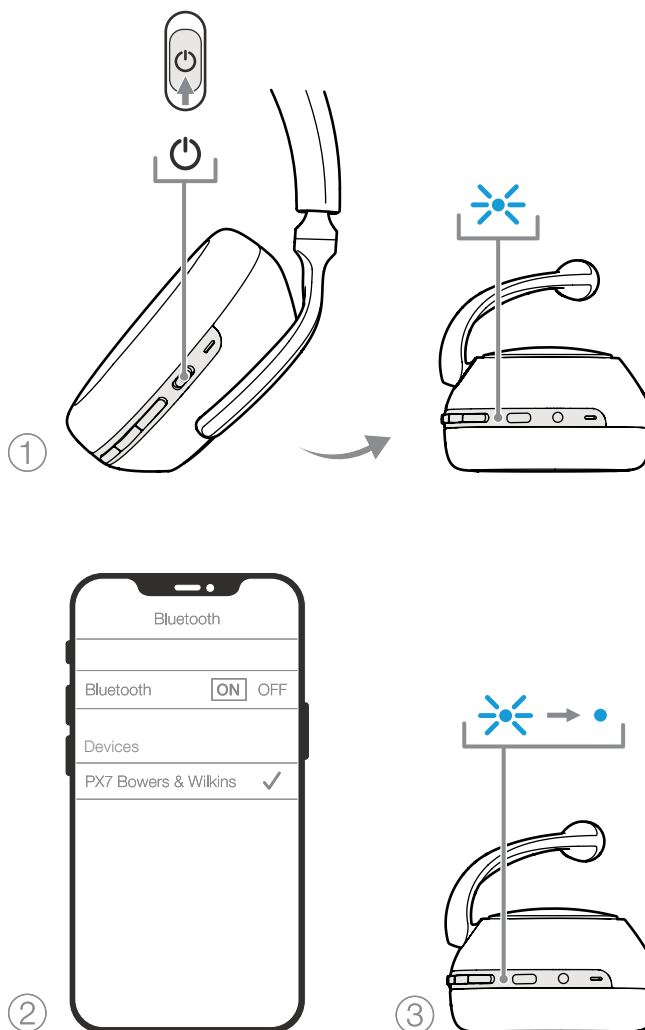


Abbildung 7  
Bluetooth-Kopplung

## 7. Kabelgebundene Verbindung

Zusätzlich zu Bluetooth kann Ihr PX7 auch über die mitgelieferten 3,5-mm-Audio- oder USB-Kabel mit Audioquellen verbunden werden.

### 7.1 Anschluss über das 3,5-mm-Audiokabel

Mit dem 3,5-mm-Audiokabel kann das PX7 an Geräte an einen analogen Ausgang angeschlossen werden, z. B. den Kopfhöreranschluss eines Smartphones oder Tablets oder eines herkömmlichen HiFi-Systems. Siehe Abbildung 8.

1. Stecken Sie das 3,5-mm-Audiokabel in die 3,5-mm-Kopfhörerbuchse an der rechten Hörmuschel.
2. Nehmen Sie das andere Ende und stecken Sie es in die entsprechende Buchse Ihres Geräts.
3. Ihr PX7 wird automatisch von allen Bluetooth-Geräten getrennt.

*Hinweis: Soll die Audiowiedergabe mithilfe eines Audio-Klinkenkabels erfolgen, muss Ihr PX-Kopfhörer geladen und eingeschaltet sein. Die Lautstärke- und Wiedergabe-/Pausentasten funktionieren bei Verwendung des Klinkenkabels nicht.*

### 7.2 Anschluss über das USB-Kabel

Ihr PX7-Kopfhörer kann als USB-Wiedergabegerät genutzt werden, wenn er per USB-Anschluss mit einem Computer verbunden ist.

1. Stecken Sie das USB-C-Ende in die USB-C-Buchse an der rechten Hörmuschel des PX7.
2. Stecken Sie das USB-A-Ende des Kabels in die entsprechende Buchse Ihres Computers.
3. Ihr PX7 wird automatisch von allen Bluetooth-Geräten getrennt.
4. Wählen Sie den Kopfhörer in der Systemsteuerung Ihres Computers als Audio-Wiedergabegerät aus

*Hinweis: Bei Anschluss an einen kompatiblen Computer-USB-Anschluss wird auch der Kopfhörerakku aufgeladen.*

## 8. Neustart und zurücksetzen

### 8.1 Neustart

Sie können Ihren PX7 neu starten, indem Sie gleichzeitig die Lautstärke + und Lautstärke - Tasten für 10 Sekunden halten, bis die Anzeige-LED erlischt. Lassen Sie los, wenn die Anzeige wieder aufleuchtet. Durch einen Neustart Ihres Kopfhörers werden weder die internen Einstellungen zurückgesetzt noch die Liste der gekoppelten Geräte gelöscht.

### 8.2 Auf Standardeinstellungen zurücksetzen

Sie können die Liste gepaarter Geräte löschen und alle Einstellungen auf die Werksvoreinstellung zurücksetzen. Halten Sie bei eingeschaltetem PX7 die Tasten für Lautstärke +, Lautstärke - und Geräuschunterdrückung gleichzeitig 10 Sekunden lang gedrückt, bis die Anzeige-LED erlischt. Lassen Sie sie los, wenn die Anzeige wieder aufleuchtet. Die Kopfhörer sind nun wieder bereit, sich mit einem Gerät zu verbinden. Alternativ können Sie den Reset auch über die Bowers & Wilkins Headphones App durchführen, siehe Reset unter Einstellungen in der App.

## 9. Pflege und Aufbewahrung

### 9.1 Aufbewahrung des PX7

Durch entsprechende Pflege Ihres PX7 wird sichergestellt, dass er auch in Zukunft das beste Klangerlebnis liefert.

Verstauen Sie Ihre Kopfhörer bei Nichtgebrauch in der mitgelieferten Transporttasche. Es wird empfohlen, den Kopfhörer zuerst auszuschalten:

1. Schieben Sie den Kopfbügel auf jeder Seite vollständig zurück.
2. Schauen Sie auf die Bedientasten und drehen Sie die Hörmuscheln nach innen, so dass sie flach liegen.
3. Legen Sie den Kopfhörer in die Transporttasche.

## 9.2 Reinigen des PX7

Ihr PX7 kann mit einem weichen, feuchten Mikrofaser Tuch leicht abgewischt oder abgetupft werden.

Die Stoffoberfläche des PX7 wurde mit einem speziellen Feuchtigkeits- und Fleckenschutzmittel beschichtet. Wenn sich Schmutz, Flecken oder Faserreste auf der Stoffoberfläche ansammeln, reinigen Sie diese bitte wie oben beschrieben.

- Reinigen Sie den Kopfhörer NICHT aggressiv mit einem Scheuermittel oder Gegenstand, insbesondere nicht den Stoff.
- Verwenden Sie KEINE Papiertücher, Servietten oder Papiertaschentücher, da diese Rückstände hinterlassen.
- Verwenden Sie KEINE Reinigungsmittel, Seifenwasser, Polituren oder chemische Reiniger.
- Achten Sie darauf, dass keine Feuchtigkeit in die Hörmuscheln, Tasten und Buchsen gelangt.

## 10. Support

Wenn Sie weitere Hilfe oder Beratung zum PX7 benötigen, besuchen Sie bitte die folgende Support-Seite für Kopfhörer [www.bowerswilkins.com/support](http://www.bowerswilkins.com/support).

### Umweltinformationen

Dieses Produkt entspricht den internationalen Richtlinien über die Beschränkung der Verwendung bestimmter gefährlicher Stoffe in Elektro- und Elektronikgeräten (RoHS), der Verordnung zur Registrierung, Bewertung, Zulassung und Beschränkung chemischer Stoffe (REACH) und den Richtlinien über Elektro- und Elektronik-Altgeräte (WEEE). Erkundigen Sie sich bezüglich des Recyclings bzw. der Entsorgung dieses Produktes bei der örtlichen Abfallentsorgung.

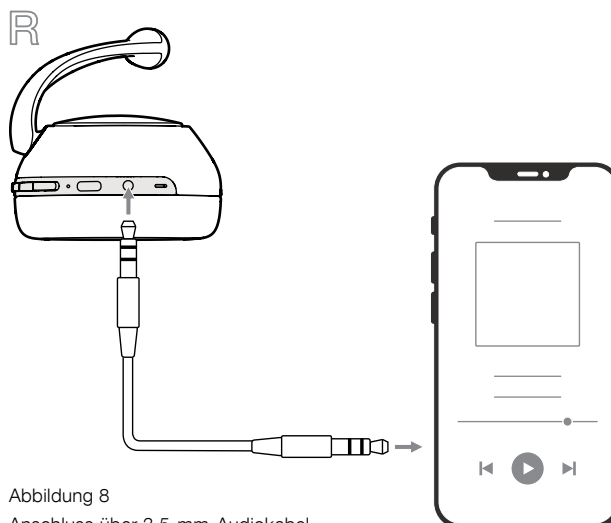


Abbildung 8  
Anschluss über 3,5-mm-Audiokabel

**Technische Daten**

Beschreibung	Bluetooth Kabelloser Over-Ear-Kopfhörer
Technische Merkmale	Adaptive Noise Cancellation Ambient Pass-Through Näherungssensor Bluetooth® Audio - Bluetooth 5.0 mit aptX™ Adaptive USB-C Lade- & Audiobuchse 3,5 mm AUX-Audiobuchse
Bluetooth Codecs	aptX™ Adaptive aptX™ HD aptX™ Classic AAC SBC
Bluetooth Profile	A2DP v1.3.1 AVRCP v1.6.1 HFP v1.7.1 HSP v1.2 BLE GATT (Generic Attribute Profile)
Treiber	2 x ø 43,6 mm Vollbereich
Mikrofone	4 Mikros für ANC 2 Mikros für Anruffunktion (CVC2 – Clear Voice Communication v2)
Frequenzbereich	10 Hz bis 30 kHz
Eingangsimpedanz	20 kOhm
Verzerrung (THD)	<0,3 % (1 kHz/10 mW)
Akkutyp	Wiederaufladbar Lithium-Polymer
Akkulaufzeit & Aufladen	30 Stunden Bluetooth mit ANC, 5 Stunden nach 15 Minuten Aufladung
Eingänge	Bluetooth, 3,5-mm-Stereo-Buchse, USB-C-Audio
Lieferumfang	1,2 m Stereo-Audiokabel, 1,2 m USB-A-zu-USB-C-Kabel, Transporttasche
Gewicht	310 Gramm

## Bienvenido a Bowers & Wilkins y a los Auriculares PX7 Wireless

Gracias por elegir Bowers & Wilkins. Cuando John Bowers fundó nuestra compañía, lo hizo con la firme creencia de que el diseño imaginativo, la ingeniería innovadora y la tecnología avanzada eran las claves que podrían desbloquear el disfrute del sonido en el hogar. Una creencia que seguimos compartiendo y que inspira cada producto que diseñamos, adaptada para nuevas experiencias en audio fuera del hogar.

Los Bowers & Wilkins PX7 son unos auriculares circunaurales de altas prestaciones diseñados para proporcionar la mejor experiencia posible en audio móvil combinada con la comodidad del funcionamiento sin cables y la serenidad aportada por la cancelación de ruido. Este manual le explicará todo lo que usted necesita saber para sacar el máximo provecho de sus auriculares PX7.

Sus PX7 pueden reproducir música tanto por streaming sin cables vía Bluetooth desde su teléfono móvil, tableta u ordenador como de manera convencional conectados por un cable a una salida de auriculares apropiada. Los PX7 también pueden utilizarse para reproducir audio desde un ordenador vía USB, a la vez que pueden ser usados para telefonía inalámbrica.

La funcionalidad Real World Listening incluye nuestras innovaciones más recientes en tecnologías como la Cancelación de Ruido Adaptativa (“Adaptive Noise Cancellation”), el Paso de Sonido Ambiente (“Ambient Pass-Through”) y el Sensor de Colocación (“Wear Sensing”) mejorado. Nuestro sistema de cancelación de ruido fue diseñada partiendo de cero con capacidades de detección ambiental inteligentes, seleccionando automáticamente el tipo de cancelación de ruido más apropiado para el ambiente que le rodea con el único objetivo de proporcionar una experiencia de escucha sin compromiso. Por su parte, el Paso de Sonido Ambiente (“Ambient Pass-Through”) permite que sonidos externos, como por ejemplo una conversación o avisos relacionados con la seguridad, puedan ser oídos claramente sin necesidad de quitarse los auriculares. En lo que respecta al Sensor de Colocación (“Wear Sensing”), permite a los PX7 responder de manera natural, interrumpiendo y reanudando la música simplemente levantando cualquiera de los cascos de su oreja. Estas funcionalidades pueden ser activadas, así como personalizadas, vía Bowers & Wilkins Home App, disponible gratuitamente para dispositivos iOS y Android.

Los PX7 incorporan una batería recargable. Cuando está completamente cargada, y dependiendo del grado de utilización de la conexión Bluetooth, la Cancelación de Ruido Adaptativa y el Paso de Sonido Ambiente, puede proporcionar hasta 30 horas de funcionamiento inalámbrico ininterrumpido a niveles de volumen intermedios y con la cancelación de ruido activada.

## 1. Contenido del Embalaje de los PX7

Auriculares PX7  
 Estuche para transporte y almacenamiento  
 Cable USB-C para carga  
 Cable de audio con clavija de 3'5 mm  
 Paquete con documentación

## 2. Conociendo los Auriculares PX7

### 2.1 Puesta en Marcha y Desactivación de los Auriculares

El Diagrama 1 ilustra la funcionalidad del conmutador de puesta en marcha.

#### Puesta en Marcha

El Conmutador Power está situado en el casco derecho. Deslícelo hasta la posición intermedia. Se emitirá un aviso audible y el indicador LED se activará en verde, ámbar o rojo para mostrar el actual nivel de carga de la batería.

#### Desactivación

Deslice el Conmutador Power hasta la posición inferior. Se emitirá un aviso audible y los auriculares se desactivarán cuando el indicador LED deje de apagarse.

### 2.2 Controles de los Auriculares

El Diagrama 2 ilustra los controles de los auriculares. Los botones del casco izquierdo que se describen a continuación se utilizan para la reproducción de contenidos.

Función	Acción
Reproducción o pausa	Pulse el botón Multifunción una sola vez.
Reproducir la pista siguiente	Pulse el botón Multifunción dos veces en sucesión rápida. <i>Nota: la funcionalidad dependerá del dispositivo fuente utilizado.</i>
Reproducir la pista anterior	Pulse el botón Multifunción tres veces en sucesión rápida. <i>Nota: la funcionalidad dependerá del dispositivo fuente utilizado.</i>
Aumentar nivel de volumen	Pulse el botón Volumen +.
Reducir nivel de volumen	Pulse el botón Volumen -.

Los botones del casco derecho que se describen a continuación se utilizan para la funcionalidad de llamadas telefónicas.

Función	Acción
Atender o finalizar una llamada	Pulse el botón Multifunción una sola vez.
Atender una llamada entrante	Cuando tenga lugar una llamada entrante, pulse el botón Multifunción una sola vez.
Rechazar una llamada entrante	Cuando quiera rechazar una llamada entrante, mantenga pulsado el botón Multifunción durante 2 segundos.
Conmutar entre dos llamadas	Con dos llamadas activas, pulse el botón Multifunción dos veces.
Agrupar dos llamadas	Con dos llamadas activas, mantenga pulsado el botón Multifunción durante 1 segundo.
Conmutar a silenciamiento (mute)	Mientras atiende una llamada, pulse el botón Multifunción tres veces.

### 2.3 Indicador de Estado

El indicador LED de estado está situado en el casco derecho. El Diagrama 3 explica los estados de iluminación.

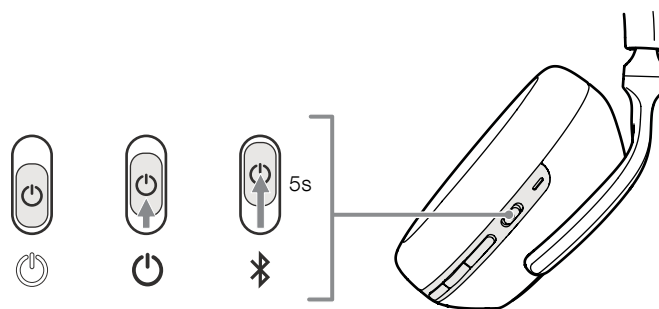


Diagrama 1  
 Funcionalidad del conmutador Power

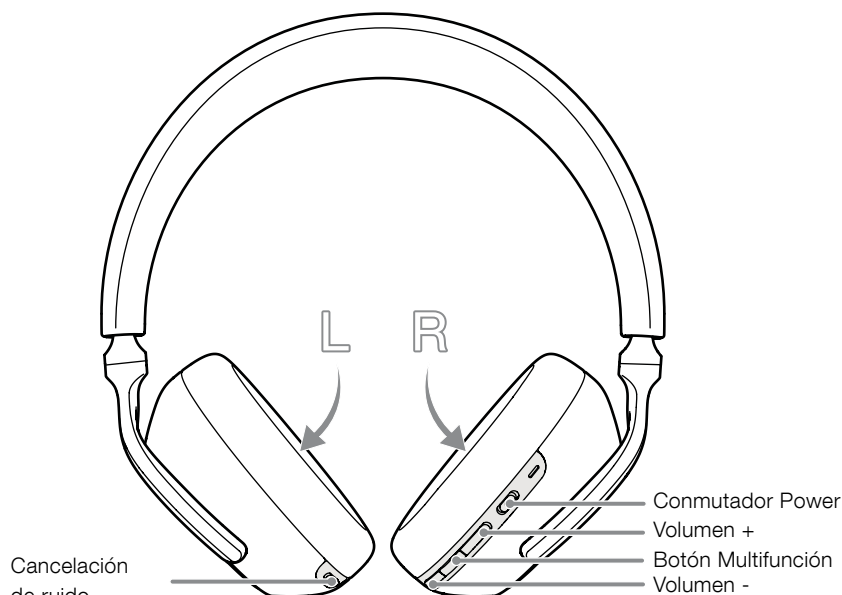


Diagrama 2  
 Controles de los auriculares

Iluminación	Estado operativo
Blanco	Nivel de carga de la batería superior al 30%
Ámbar	Nivel de carga de la batería entre el 30% y el 10%
Rojo	Nivel de carga de la batería inferior al 10%
Rojo intermitente	Carga de la batería insuficiente para el funcionamiento de los Auriculares
Azul intermitente	Modo de sincronización activado
Azul estacionario (2 segundos)	Sincronización completada con éxito
Azul intermitente (llamadas)	Llamada entrante
Verde intermitente	Carga rápida
Verde estacionario	Carga de la batería completa, carga lenta

Diagrama 3  
 Iluminaciones del indicador de estado



### 3. Funcionalidades Inteligentes

#### 3.1 Cancelación de Ruido Adaptativa

La cancelación de ruido es un conjunto de tecnologías avanzadas que contribuyen a eliminar el ruido no deseado del ambiente circundante.

Los PX7 incorporan nuestras innovaciones más recientes en cancelación de ruido adaptativa, incluyéndose entre las mismas una detección inteligente que adapta la cancelación de ruido efectuando el ajuste más adecuado al ambiente que le rodea. Puesto que su entorno cambia, la cancelación de ruido cambiará automáticamente para adaptarse a su nuevo ambiente.

El botón de Cancelación de Ruido situado en el casco izquierdo se utiliza para conmutar cíclicamente entre los modos siguientes (la ubicación del botón se ilustra en el Diagrama 2):

Modo	Aplicación
High (Alto)	Adecuado para ambientes constantemente ruidosos, como por ejemplo la cabina de un avión.
Bajo (Low)	Adecuado para ambientes en los que usted necesita saber lo que sucede a su alrededor.
Auto-mático (Auto)	Ajusta de manera inteligente la cancelación de ruido para adaptarla al ambiente en el que está en ese momento.
Apagado (Off)	Desactiva la función de cancelación de ruido.

#### 3.2 Paso de Sonido Ambiente ("Ambient Pass Through")

Los PX7 incluyen una función de Paso de Sonido Ambiente que permite oír una parte del ruido externo de su ambiente circundante –caso de avisos de seguridad o conversaciones- sin necesidad de quitárselos.

El botón de Cancelación de Ruido situado en el casco izquierdo también controla esta función (la ubicación del botón se ilustra en el Diagrama 2).

Función	Acción
Permitir paso de sonido ambiente	Pulse y mantenga pulsado el botón de Cancelación de Ruido durante 2 segundos.
Desactivar paso de sonido ambiente	Con el paso de sonido ambiente activado, mantenga pulsado o pulse una sola vez el botón de Cancelación de Ruido durante 2 segundos y los auriculares volverán al modo de cancelación de ruido anterior.

El nivel de paso de sonido ambiente puede ser adicionalmente afinado para que se adapte a sus necesidades utilizando la Bowers & Wilkins Headphones App.

#### 3.3 Sensores de Colocación ("Wear Sensors")

Los PX7 incorporan en ambos cascos nuestros nuevos sensores de colocación mejorados (ver Diagrama 4), permitiendo conservar de manera inteligente la carga de la batería entrando en el modo de espera (standby) cuando son retirados de la cabeza. Cuando son colocados de nuevo, los PX7 se vuelven a activar automáticamente y se conectan al último dispositivo Bluetooth conectado.

Los PX7 interrumpirán la reproducción de contenidos cuando uno cualquiera de sus cascos sea levantado de la oreja. Cuando el casco vuelva a ser colocado sobre la oreja, la reproducción se reanudará automáticamente. Dicha reanudación automática ha sido optimizada, por lo que estará lista sólo cuando usted lo esté. Esto significa que los auriculares no intentarán reanudar la escucha bajo las siguientes condiciones:

1. Cuando los auriculares se activan desde su estado de desactivación (Off).
2. Cuando los auriculares se activan desde el modo de espera (Standby).
3. Cuando los auriculares se reinician (como por ejemplo después de una reinicialización a los ajustes de fábrica).

Tanto los sensores de colocación como el modo de espera pueden ser ajustados utilizando la Bowers & Wilkins Headphones App.

*Nota: Cuando se coloque sus auriculares, procure que no queden cabellos o accesorios atrapados entre sus orejas y los cascos ni lleve puestas gafas susceptibles de distorsionar el contorno de aquéllas ya que ello podría interferir con las prestaciones de los sensores de proximidad.*



Diagrama 4  
Ubicación de los sensores de colocación

#### 4. Carga de la Batería y Ahorro de Energía

Sus PX7 se suministran de serie con la batería parcialmente cargada para que puedan utilizarse inmediatamente. Para obtener los mejores resultados, le recomendamos que cargue por completo la batería de los auriculares antes de utilizarlos por primera vez. Dicha carga tardará aproximadamente un máximo de 3 horas en completarse, aunque durante la misma los auriculares pueden ser utilizados.

Para la carga:

1. Utilice el cable de carga suministrado de serie y conecte la clavija USB-A a un cargador mural o a una toma USB-A alimentada de un ordenador.
2. A continuación conecte el extremo con conector USB-C a la toma USB-C de los auriculares.

*Nota: Durante la carga, el indicador luminoso de los auriculares parpadeará en verde. Cuando la batería esté completamente cargada, el indicador permanecerá iluminado sin parpadear. Para más detalles sobre el indicador de estado, consulte el Diagrama 3.*

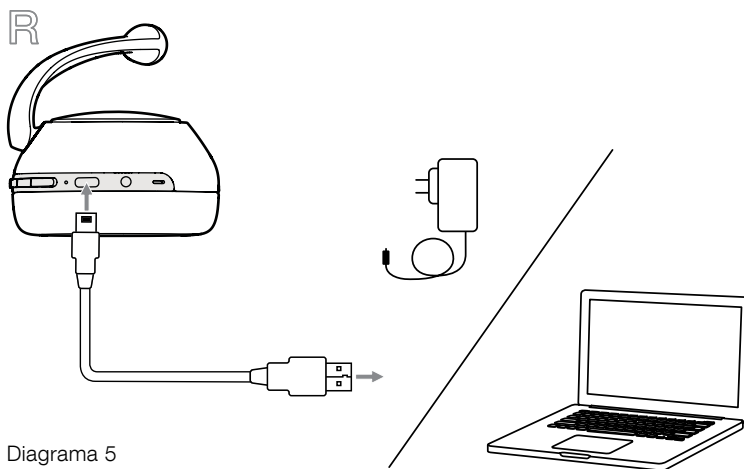


Diagrama 5  
Conexión del cable USB-C

#### 4.1 Ahorro de Energía en el Modo de Espera (Standby)

Los PX7 incluyen sensores de detección que conservan energía de manera inteligente. Cuando sean retirados de su cabeza, los PX7 entrarán automáticamente en el modo de espera (standby), que interrumpirá la reproducción de contenidos, desconectará Bluetooth y conmutará los auriculares a un estado de bajo consumo de energía.

Cuando sean colocados de nuevo sobre su cabeza, los PX7 se reactivarán y se conectarán a la última fuente Bluetooth conectada. Tenga en cuenta que para un funcionamiento adecuado ambos cascos deben detectar que han sido colocados. Si se desactivan los sensores de colocación utilizando la Bowers & Wilkins Headphones App, esta función también será desactivada.

Estando en la app, usted puede personalizar el tiempo durante el cual los auriculares estarán activados antes de conmutar automáticamente al modo de espera (standby). Para ello, le rogamos que consulte el ajuste Temporizador de Standby (Standby Timer) en el menú Ajustes (Settings) de la app.



#### 5. Colocación de Sus Auriculares

La correcta colocación de sus auriculares le ayudará a asegurar la mejor experiencia posible. Consulte el Diagrama 6.

1. Identifique los cascos izquierdo y derecho buscando las inscripciones de identificación situadas en el interior de cada uno.
2. Colóquese los auriculares correctamente, con la diadema ajustada de tal modo que puedan descansar confortablemente sobre su cabeza.

*Nota: El uso de gafas susceptibles de distorsionar el contorno de sus orejas puede interferir en las prestaciones de los auriculares. De modo similar, es posible que los cabellos atrapados entre sus orejas y los cascos de los auriculares comprometan el funcionamiento de los sensores de colocación.*



Diagrama 6  
Colocación de sus auriculares

## 6. Conexión Bluetooth

### 6.1 Sincronización

Los PX7 han sido diseñados para reproducir por streaming inalámbrico contenidos procedentes de dispositivos de audio compatibles Bluetooth, como por ejemplo smartphones, tabletas u ordenadores personales.

1. La primera vez que ponga en marcha sus auriculares, el modo de sincronización Bluetooth se activará y el indicador luminoso parpadeará en azul. Si el modo de sincronización no está activado, le rogamos que deslice y mantenga pulsado el botón Power en la posición superior (icono Bluetooth) durante 5 segundos y suéltelo cuando el citado indicador parpadee en azul y emita un aviso audible.
2. Asegúrese de que la funcionalidad Bluetooth esté activada en el dispositivo de audio. Los PX7 aparecerán en la lista de nuevos dispositivos. Selecciónelos para sincronizarlos.
3. Cuando la sincronización esté en curso, el indicador luminoso parpadeará en azul, pasando a azul estacionario y emitiéndose un aviso audible cuando la misma se haya completado con éxito.

Sus auriculares PX7 pueden memorizar hasta ocho dispositivos Bluetooth sincronizados. Para sincronizar más dispositivos, repita los pasos anteriores.

*Nota: Si en el transcurso de cinco minutos no se sincroniza ningún dispositivo, sus auriculares saldrán automáticamente del modo de sincronización Bluetooth. Si la sincronización falla, el indicador luminoso parpadeará en azul rápidamente para que intente llevar a cabo la sincronización de nuevo.*

### 6.2 Conexiones Bluetooth Múltiples

Los PX7 pueden conectar simultáneamente hasta dos dispositivos, pero tenga en cuenta que sólo es posible reproducir señales de audio o atender llamadas desde un único dispositivo a la vez.

Para conmutar entre dos dispositivos:

1. Interrumpa la señal de audio en el primer dispositivo o utilice el botón multifunción de los PX7.
2. Reproduzca una señal de audio desde el segundo dispositivo y los auriculares cambiarán a este último.

Cuando escuche música por streaming, la recepción de una llamada en el segundo dispositivo interrumpirá –situándola en pausa- automáticamente la reproducción y dicha llamada será automáticamente enrutada a sus auriculares. La finalización de la llamada hará que la reproducción se reanude automáticamente en el primer dispositivo.

### 6.3 Desconexión de un Dispositivo

Usted puede desconectar rápidamente los PX7 de un dispositivo deslizando dos veces en sucesión rápida el conmutador Power a la posición superior (icono Bluetooth), emitiéndose un tono audible cuando la desconexión se haya realizado con éxito.

De modo alternativo, puede gestionar la conexión con más detalle utilizando el menú Conexiones (Connections) de la Bowers & Wilkins Headphones App.

### 6.4 Configurando Auriculares con la App

La Bowers & Wilkins Headphones App proporciona características de configuración y ajuste extendidas a funcionalidades como la Cancelación de Ruido Adaptativa, el Paso de Sonido Ambiente y los Sensores de Colocación. La app también proporciona personalizaciones adicionales en los avisos de voz, el tiempo de entrada en standby, la gestión de conexiones y las actualizaciones de software de los auriculares. La app está disponible como descarga gratuita en dispositivos iOS y Android.

Para añadir sus auriculares:

1. Desde su dispositivo móvil, descargue e instale la Bowers & Wilkins Headphones App.
2. Active la app y a continuación lea y siga las instrucciones referidas a los permisos y notificaciones de la misma.
3. Después de llegar a la pantalla principal, basta con que toque + y siga las instrucciones de la app.

### 6.5 Actualizaciones del Software de los Auriculares

De vez en cuando, Bowers & Wilkins pone a punto actualizaciones de software que refinan y optimizan el comportamiento de sus auriculares o añaden nuevas características a los mismos.

La Bowers & Wilkins Headphones App le enviará una notificación cada vez que esté disponible una actualización de software. En ese caso, toque la notificación y siga las instrucciones de la app.

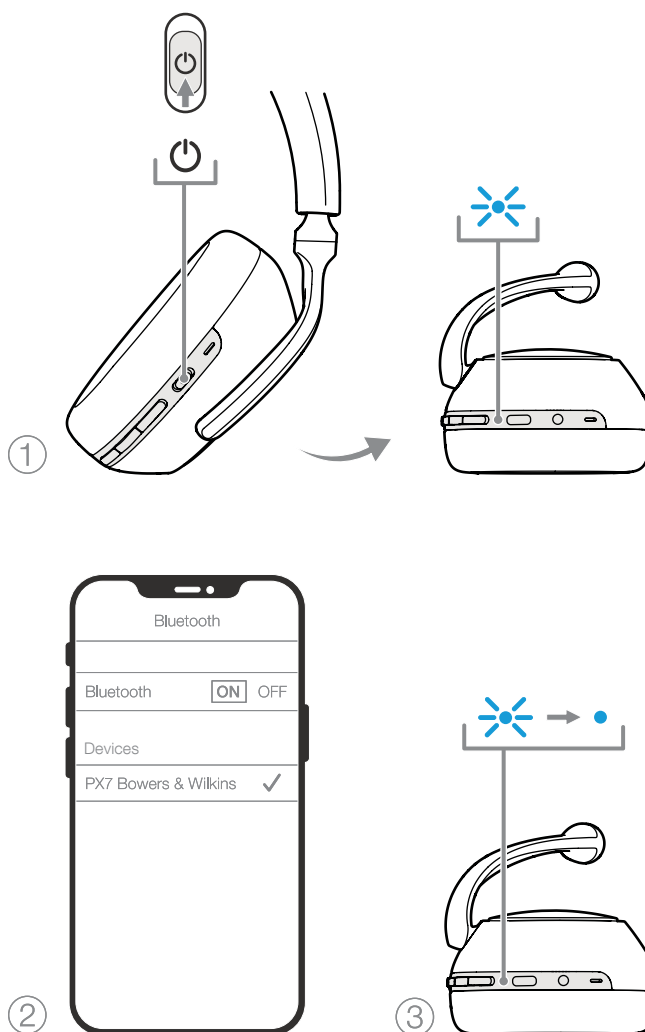


Diagrama 7  
Sincronización Bluetooth

## 7. Conexión Auxiliar

Además de vía Bluetooth, sus PX7 también pueden ser conectados a fuentes de audio utilizando los cables universal con clavija de 3'5 mm y USB suministrados de serie.

### 7.1 Conexión vía Cable de Audio con Clavija de 3'5 mm

El cable de audio con clavija de 3'5 mm permite utilizar sus PX7 con un dispositivo equipado con una salida analógica, caso de la toma de auriculares convencional que se puede encontrar en un smartphone, una tableta o un sistema de Alta Fidelidad tradicional. Ver Diagrama 8.

1. Inserte el cable con clavija de 3'5 mm en la toma pertinente situada en el casco derecho.
2. Coja el otro extremo e insértelo en la toma apropiada de su dispositivo.
3. Sus PX7 se desconectarán automáticamente de cualquier dispositivo Bluetooth.

*Nota: Para reproducir una señal de audio desde una fuente analógica, sus auriculares necesitan tener la batería suficientemente cargada y estar activados. Cuando utilice la conexión vía cable con clavija de 3'5 mm, los botones de control de volumen y reproducción/pausa no funcionarán.*

### 7.2 Conexión con el Cable USB

La conexión USB permite a sus PX7 funcionar como un dispositivo USB con salida de audio cuando son conectados a un ordenador debidamente equipado.

1. Inserte el extremo USB-C en la toma USB-C situada en el casco derecho de los PX7.
2. Coja el extremo USB-A e insértelo en la toma apropiada de su ordenador.
3. Los PX7 se desconectarán automáticamente de cualquier dispositivo Bluetooth.
4. Busque y seleccione sus auriculares en el panel de control de la salida de audio del ordenador.

*Nota: Cuando los auriculares estén conectados al puerto USB adecuado de un ordenador, la batería de los mismos también se cargará.*

## 8. Ciclo de Puesta en Marcha/Desactivación y Reinicialización

### 8.1 Ciclo de Puesta en Marcha/Desactivación

Usted puede poner en marcha/desactivar sus PX7 manteniendo pulsados simultáneamente los botones Volumen + y Volumen - durante 10 segundos hasta que el indicador luminoso LED se apague y liberarlos cuando el indicador se ilumine de nuevo. El reinicio de sus auriculares no reinicializará sus ajustes internos ni borrará el historial de dispositivos sincronizados.

### 8.2 Reinicialización a los Ajustes de Fábrica

Si lo desea, puede borrar el historial de dispositivos sincronizados y restaurar todos los ajustes a sus valores de fábrica (ajustes por defecto). Con los PX7 activados, pulse simultáneamente los botones Volumen +, Volumen - y Cancelación de Ruido durante 10 segundos hasta que el indicador luminoso LED se apague y libérelos cuando el indicador se ilumine de nuevo. Los auriculares estarán preparados para sincronizarse a un dispositivo. De modo alternativo, usted puede llevar a cabo una reinicialización desde la Bowers & Wilkins Headphones App, en cuyo caso le rogamos que consulte el apartado Reinicialización (Reset) del menú Ajustes (Settings) de la app.

## 9. Cuidado y Mantenimiento

### 9.1 Guardando Sus PX7

El cuidado apropiado de sus PX7 asegurará que continúen proporcionando las mejores prestaciones y la mejor experiencia posibles.

Cuando sus PX7 no vayan a ser usados, guárdelos en el estuche suministrado de serie. Antes de hacerlo, le recomendamos que los desactive por completo.

1. Repliegue la diadema en cada lado de tal modo que esté en la posición más corta.
2. Con los botones encarados hacia usted, gire los cascos hacia dentro de tal forma que estén planos.
3. Coloque los auriculares en el estuche de transporte.

### 9.2 Limpiando Sus PX7

Sus PX7 pueden ser limpiados con una gamuza suave de microfibras humedecida, frotándolos o acariciándolos suavemente hasta que estén limpios.

El tejido de los PX7 ha sido especialmente revestido con un repelente de humedad y manchas. Si se acumulan manchas, polvo o residuos de fibras en la superficie del tejido, le rogamos que limpie siguiendo las anteriores instrucciones.

- NO frote de manera agresiva ni utilice una herramienta abrasiva para limpiar, en especial el tejido.
- NO utilice toallas de papel, servilletas o pañuelos puesto que pueden dejar residuos.
- NO utilice detergentes de limpieza, agua jabonosa, abrillantadores ni limpiadores químicos.
- Asegúrese de que no quede humedad en el interior de los cascos, los botones o los puertos de conexión.

## 10. Soporte

En el caso de que necesitara ayuda o consejo adicional con respecto a sus PX7, le rogamos que visite el sitio de soporte de Auriculares (Headphones) en [www.bowerswilkins.com/support](http://www.bowerswilkins.com/support).

### Información Medioambiental

Este producto satisface varias regulaciones internacionales relacionadas con la protección del medio ambiente, entre ellas –aunque sin estar limitadas a las mismas– la de Restricción del Uso de Sustancias Peligrosas (RoHS) en equipos eléctricos y electrónicos, la de Registro, Evaluación y Autorización del uso de Productos Químicos (REACH) y la de eliminación de Residuos Procedentes de Equipos Eléctricos y Electrónicos (WEEE). Para reciclar o desechar este producto adecuadamente, le sugerimos que contacte con sus autoridades locales en materia de gestión de residuos.

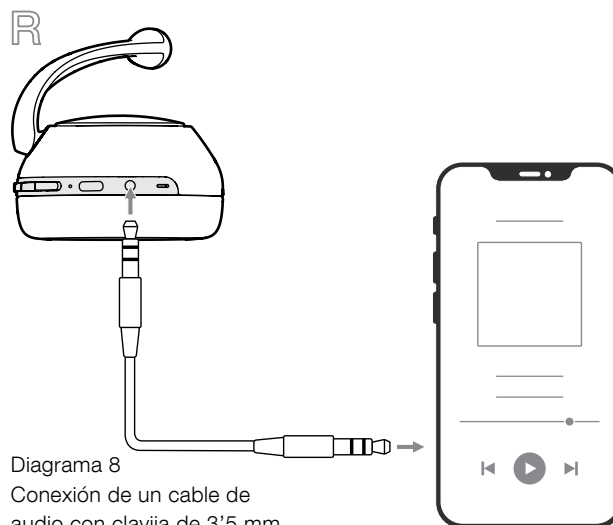


Diagrama 8  
Conexión de un cable de audio con clavija de 3'5 mm

## Características Técnicas

Estilo de Colocación	Auriculares Circumaurales Inalámbricos Bluetooth
Detalles Técnicos Relevantes	Cancelación de Ruido Adaptativa Paso de Sonido Ambiente Sensor de Colocación Audio Bluetooth – Bluetooth 5.0 con aptX Adaptive Puerto USB-C para interfaz de audio y carga Interfaz de audio auxiliar con clavija de 3'5 mm
Codecs Bluetooth	aptX™ Adaptive aptX™ HD aptX™ Classic AAC SBC
Perfiles Bluetooth	A2DP v1.3.1 AVRCP v1.6.1 HFP v1.7.1 HSP v1.2 BLE GATT (Generic Attribute Profile)
Transductores Utilizados	2 de gama completa de 43'6 mm de diámetro
Micrófonos	4 micrófonos para Cancelación de Ruido Adaptativa (ANC) 2 micrófonos para telefonía (CVC2 – Clear Voice Communication v2)
Rango de Frecuencias	10-30.000 Hz
Impedancia de Entrada	20 ohmios
Distorsión (THD)	<0'3% (1 kHz/10 mW)
Tipo de Batería	Recargable de Polímero de Litio
Autonomía de la Batería	30 horas con Bluetooth y ANC; 5 horas con una carga rápida de 15 minutos
Entradas	Bluetooth; estereofónica con mini-clavija de 3'5 mm; USB-C para audio
Accesorios Suministrados	Cable de audio estereofónico de 1'2 m, cable USB-A a USB-C de 1'2 m, estuche de transporte
Peso	310 gramos

## Bem-vindo à Bowers & Wilkins e aos PX7

Obrigado por ter optado pela Bowers & Wilkins. Quando John Bowers fundou a nossa empresa, acreditava que um design criativo, uma engenharia inovadora e uma tecnologia avançada eram as chaves que poderiam abrir as portas para se desfrutar do áudio em casa. A sua crença é algo que continuamos a partilhar e que inspira todos os produtos que concebemos, personalizados para novas experiências de áudio fora de casa.

Os Bowers & Wilkins PX7 são auscultadores de elevado desempenho de usar sobre as orelhas, concebidos para proporcionarem a maior qualidade de áudio móvel individual combinada com a conveniência do funcionamento sem fios e a tranquilidade do cancelamento de ruído. Este manual explica tudo o que precisa de saber para tirar o máximo partido dos seus auscultadores PX7.

Os PX7 podem reproduzir música transmitida sem fios a partir do seu telemóvel, tablet ou computador através de Bluetooth, ou convencionalmente, através de um cabo com conector ligado a uma saída de auscultadores analógica adequada. Os PX7 também podem reproduzir áudio através de uma ligação USB de um computador e podem ser utilizados para telefonia sem fios.

As funcionalidades Real World Listening dos PX7 incluem as nossas mais recentes inovações nas tecnologias de cancelamento adaptativo de ruído, pass-through de ambiente e deteção de utilização melhorada. A nossa funcionalidade de cancelamento de ruído de última geração foi concebida de raiz com capacidades inteligentes de deteção de ambiente, selecionando automaticamente o tipo adequado de cancelamento de ruído mais apropriado para o ambiente circundante. O seu único objetivo é proporcionar uma experiência de audição de qualidade. O pass-through de ambiente permite que os sons externos, tais como conversas ou anúncios de segurança, possam ser escutados claramente sem qualquer necessidade de remover os auscultadores. A funcionalidade de deteção de utilização permite que os PX7 respondam de forma natural, pausando e retomando a música simplesmente levantando cada um dos auriculares da orelha. Estas funcionalidades podem ser ativadas e mais personalizadas através da aplicação Bowers & Wilkins Headphone, disponível gratuitamente em dispositivos iOS e Android.

Os PX7 incluem um conjunto de baterias recarregáveis. Quando totalmente carregado, e dependendo da utilização do Bluetooth, do cancelamento adaptativo de ruído e do pass-through de ambiente, o conjunto de baterias pode proporcionar até 30 horas contínuas de transmissão em fluxo de conteúdos, com o cancelamento de ruído adaptativo ativado e a níveis médios de volume de reprodução.

## 1. Conteúdos da caixa dos PX7

Auscultadores PX7  
 Bolsa de arrumação  
 Cabo de carregamento USB-C  
 Cabo de áudio de 3,5 mm  
 Conjunto de documentos

## 2. Conhecer os seus PX7

### 2.1 Ligar e desligar os auscultadores

A Imagem 1 ilustra a funcionalidade do botão ligar/desligar.

#### Ligar

O botão ligar/desligar encontra-se no auricular do lado direito. Deslize o botão ligar/desligar para cima, até à posição central. Ouve-se um som e o indicador LED acende-se a verde, âmbar ou vermelho, indicando o nível de carga atual.

#### Desligar

Deslize o botão ligar/desligar para baixo. Ouve-se um som e os auscultadores desligam-se quando o indicador LED se apaga.

### 2.2 Controlos dos auscultadores

A Imagem 2 ilustra os controlos dos auscultadores. Os botões seguintes que se encontram no auricular do lado direito são utilizados para reproduzir conteúdo multimédia:

Função	Ação
Reproduzir ou pausa	Prima o botão multifunções uma vez.
Reproduzir para faixa seguinte	Prima o botão multifunções duas vezes numa sequência rápida. <i>Nota: funcionalidade dependente do dispositivo de origem.</i>
Reproduzir faixa anterior	Prima o botão multifunções três vezes numa sequência rápida. <i>Nota: funcionalidade dependente do dispositivo de origem.</i>
Aumentar o volume	Prima o botão de aumentar o volume.
Diminuir o volume	Prima o botão de diminuir o volume.

Os botões seguintes que se encontram no auricular do lado direito são utilizados para a funcionalidade de chamadas telefónicas:

Função	Ação
Atender ou desligar uma chamada	Prima o botão multifunções uma vez.
Atender uma chamada	Prima o botão multifunções uma vez para atender uma chamada.
Rejeitar uma chamada	Mantenha o botão multifunções premido durante 2 segundos quando receber uma chamada.
Alternar entre duas chamadas	Com duas chamadas ativas, prima o botão multifunções duas vezes.
Intercalar duas chamadas	Com duas chamadas ativas, mantenha o botão multifunções premido durante 1 segundo.
Ativar/desativar som	Durante uma chamada, prima o botão multifunções três vezes.

### 2.3 Indicador de estado

O LED indicador de estado encontra-se no auricular do lado direito. A Imagem 3 explica os estados de iluminação.

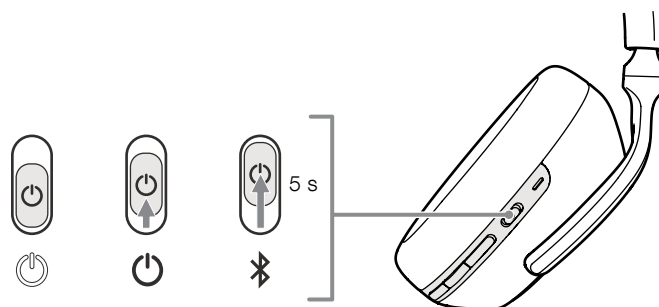


Imagem 1

Funcionalidade do botão ligar/desligar

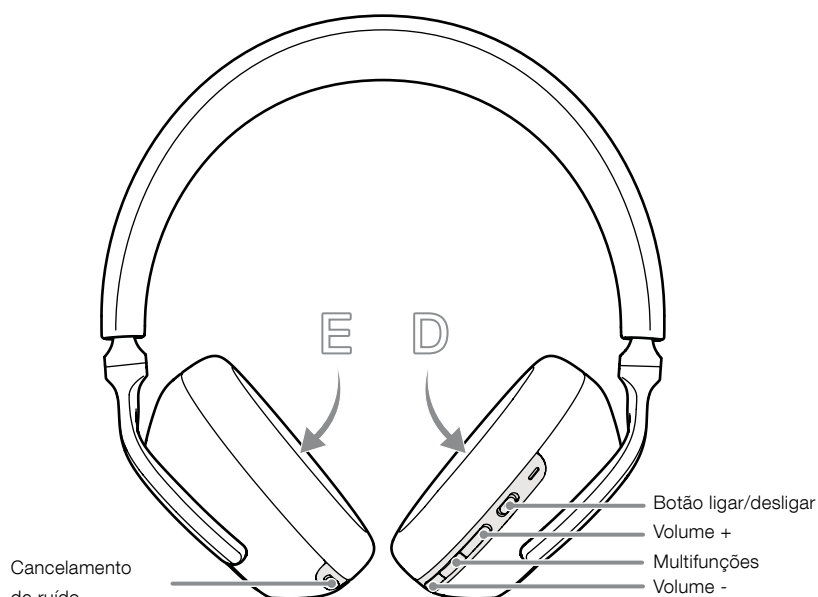


Imagem 2

Controlos dos auscultadores

Luz	Estado de funcionamento
Branco	Carga da bateria > 30%
Âmbar	Carga da bateria entre 30% e 10%
Vermelho	Carga da bateria < 10%
A piscar a vermelho	Bateria com carga insuficiente para o funcionamento dos auscultadores
A piscar a azul	Modo de emparelhamento ativado
Azul (2 segundos fixo)	Emparelhamento bem-sucedido
A piscar a azul (chamadas)	Chamada recebida
A piscar a verde	Carregamento rápido
Verde fixo	Carga total da bateria, carregamento lento

Imagem 3

Iluminações do indicador de estado



### 3. Funcionalidades inteligentes

#### 3.1 Cancelamento adaptativo de ruído

O cancelamento de ruído consiste numa série de tecnologias avançadas que ajudam a eliminar ruído indesejado do ambiente circundante.

Os PX7 dispõem das nossas mais recentes inovações em cancelamento adaptativo de ruído, o que inclui deteção inteligente que adapta o cancelamento de ruído e o aperfeiçoamento mais adequado ao seu ambiente circundante. À medida que o meio circundante muda, o cancelamento de ruído adapta-se para complementar o seu novo ambiente.

O botão de cancelamento de ruído no auricular do lado esquerdo é utilizado para alternar entre os seguintes modos; consulte a Imagem 2 para a localização do botão:

Modo	Aplicação
Alto	Adequado para ambientes consistentemente ruidosos, como a cabina de um avião.
Baixo	Adequado para ambientes onde tem de estar bem consciente do que o rodeia.
Automático	Adapta o cancelamento de ruído de forma inteligente, para que seja o mais adequado ao seu ambiente atual.
Desligado	Desliga a funcionalidade de cancelamento de ruído.

#### 3.2 Pass-through de ambiente

Os PX7 dispõem de pass-through de ambiente, o que permite ouvir certos ruídos externos com origem no ambiente circundante, como anúncios de segurança ou conversas, sem tirar os auscultadores.

O botão de cancelamento de ruído no auricular do lado esquerdo também controla esta funcionalidade; consulte a Imagem 2 para a localização do botão.

Função	Ação
Ativar o pass-through de ambiente	Prima o botão de cancelamento de ruído e mantenha-o premido durante 2 segundos.
Desativar o pass-through de ambiente	Com o pass-through de ambiente ativado, mantenha premido ou prima uma única vez o botão de cancelamento de ruído durante 2 segundos. Os auscultadores regressam ao modo de cancelamento de ruído anterior.

O nível de pass-through de ambiente pode ser ainda mais personalizado, de forma a adaptar-se às suas necessidades, utilizando a aplicação Bowers & Wilkins Headphones.

#### 3.3 Sensores de utilização

Os PX7 incorporam os nossos mais recentes sensores melhorados de deteção de utilização em ambos os auriculares (consulte a Imagem 4), permitindo a conservação inteligente da bateria ao entrarem em standby quando são retirados da cabeça. Quando voltam a ser utilizados, os PX7 "acordam" automaticamente e ligam-se ao último dispositivo Bluetooth a que estiveram ligados.

Durante a reprodução de conteúdos multimédia, os PX7 entram em pausa automática quando qualquer um dos auriculares é levantado da orelha. A reprodução é retomada automaticamente quando o auricular é colocado de novo na orelha. A retomada automática foi ainda mais otimizada, para estar pronta apenas quando o utilizador estiver. Isto significa que os auscultadores não tentarão retomar a reprodução quando:

1. Os auscultadores se ligam a partir do estado de desligados.
2. Os auscultadores "acordam" do estado de standby.
3. Os auscultadores reiniciam (tal como a seguir a uma reposição de fábrica).

O sensor de utilização e o standby podem ser ajustados utilizando a aplicação Bowers & Wilkins Headphones.

*Nota: Tenha cuidado ao utilizar os auscultadores: cabelo ou acessórios que fiquem presos entre as orelhas e os auriculares, ou usar óculos que distorçam o perfil das suas orelhas, podem interferir com o desempenho dos sensores de proximidade.*



Imagem 4  
Localização dos sensores de utilização



#### 4. Carregar a bateria e poupar energia

Os PX7 são enviados com a bateria parcialmente carregada e podem ser utilizados de imediato. Recomendamos carregar totalmente os auscultadores antes da primeira utilização. Deixe a bateria carregar totalmente durante 3 horas. No entanto, pode utilizar os auscultadores durante o carregamento da bateria.

Para carregar:

1. Utilize o cabo de carregamento fornecido e ligue a ficha USB-A a um carregador de parede ou a uma entrada USB-A de computador.
2. Depois, ligue a extremidade USB-C à entrada USB-C dos auscultadores.

*Nota: Durante o carregamento, o indicador dos auscultadores pisca a verde. Quando o carregamento estiver concluído, o indicador permanece aceso. Consulte a Imagem 3 para obter detalhes sobre o indicador de estado.*

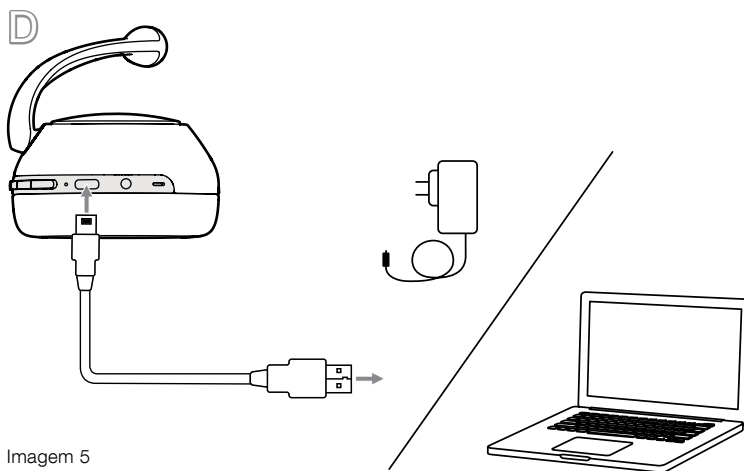


Imagem 5  
Ligação do cabo USB-C

#### 4.1 Poupança de energia em standby

Os sensores de deteção de utilização dos PX7 conservam energia de forma inteligente. Quando são retirados da cabeça, os PX7 entram automaticamente em standby, o que coloca a reprodução de conteúdos multimédia em pausa, desliga o Bluetooth e muda para um estado de baixo consumo.

Quando voltam a ser utilizados, os PX7 "acordam" e ligam-se ao último dispositivo Bluetooth a que estiverem ligados. Tenha em conta que ambos os auriculares têm de detetar utilização para um funcionamento adequado. Se os sensores de utilização forem desativados utilizando a aplicação, esta funcionalidade também será desativada.

Com a aplicação, pode personalizar o tempo que os auscultadores esperam antes de passarem para standby automático. Consulte Standby Timer (Temporizador de standby), em Settings (Definições), na aplicação.

#### 5. Utilizar os auscultadores

Utilizar os auscultadores corretamente irá ajudar a garantir a melhor experiência possível. Consulte a Imagem 6.

1. Identifique o auricular esquerdo e o direito através das inscrições de identificação que se encontram na parte de dentro de cada auricular.
2. Use os auscultadores devidamente, com a bandolete ajustada de forma a que assentem de forma confortável na cabeça.

*Nota: A utilização de óculos que alterem o perfil das orelhas poderá interferir com o desempenho dos auscultadores. De igual modo, cabelo preso entre as orelhas e os auriculares dos auscultadores pode interferir com o desempenho do sensor de utilização.*

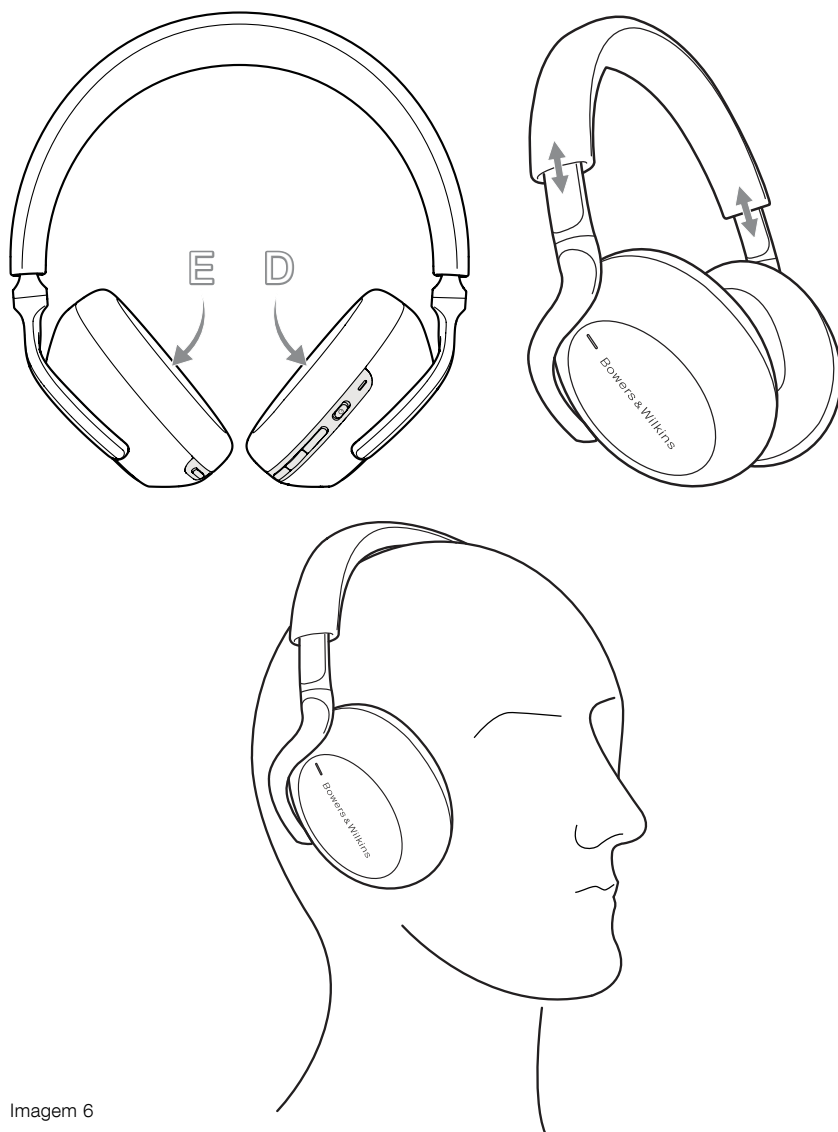


Imagem 6  
Utilizar os auscultadores

## 6. Ligação Bluetooth

### 6.1 Emparelhar

Os PX7 foram concebidos para transmitir conteúdos multimédia sem fios a partir de dispositivos áudio Bluetooth, tais como smartphones, tablets ou computadores. Para tal, é necessário emparelhar primeiro os auscultadores com o dispositivo (origem).

1. Quando liga os auscultadores pela primeira vez, o modo de emparelhamento Bluetooth fica ativado e o indicador pisca a azul. Se o modo de emparelhamento não estiver ativo, deslize e mantenha o botão ligar/desligar na posição superior (ícone Bluetooth) durante 5 segundos. Depois, solte o botão quando o indicador pisca a azul e ouvir um som.
2. Certifique-se de que a funcionalidade Bluetooth está ativa no dispositivo de áudio para que os PX7 sejam apresentados na lista. Selecione-os para emparelhar.
3. O indicador pisca a azul durante o emparelhamento. Após a conclusão bem-sucedida do emparelhamento, o indicador muda para azul fixo e ouve-se um som.

Os auscultadores conseguem memorizar até oito dispositivos Bluetooth emparelhados. Repita os passos acima para emparelhar mais dispositivos.

*Nota: Os auscultadores saem automaticamente do modo de emparelhamento Bluetooth se nenhum dispositivo for emparelhado após 5 minutos. Se o emparelhamento falhar, o indicador pisca rapidamente a azul, pelo que deve tentar emparelhar novamente.*

### 6.2 Várias ligações Bluetooth

Os PX7 podem ligar-se a um máximo de dois dispositivos ao mesmo tempo, mas tenha em conta que apenas pode reproduzir áudio ou atender chamadas num dispositivo de cada vez.

Para alternar entre dois dispositivos:

1. Coloque o áudio em pausa no primeiro dispositivo ou utilize o botão multifunções dos PX7.
2. Reproduza o áudio a partir do segundo dispositivo e os auscultadores fazem a transição.

Durante a transmissão de áudio, se receber uma chamada no segundo dispositivo, a reprodução é suspensa automaticamente e a chamada é encaminhada de forma automática para os auscultadores. Quando terminar a chamada, a reprodução é retomada automaticamente a partir do primeiro dispositivo.

### 6.3 Desligar de um dispositivo

Pode desligar rapidamente os PX7 de um dispositivo deslizando o botão ligar/desligar para a posição superior (ícone Bluetooth) duas vezes numa sequência rápida. Ouvirá um sinal que indica que foram desligados com sucesso.

Como alternativa, pode gerir a ligação com mais detalhe utilizando a aplicação Bowers & Wilkins Headphones, em Connections (Ligações).

### 6.4 Configuração dos auscultadores com a aplicação

A aplicação Bowers & Wilkins Headphones disponibiliza configurações e ajustes alargados para as funcionalidades, tais como o cancelamento adaptativo de ruído, o pass-through de ambiente e os sensores de utilização. A aplicação também proporciona mais opções de personalização, como comando por voz, tempo de standby, gestão de ligação e atualizações do software dos auscultadores. A aplicação está disponível como transferência gratuita em dispositivos iOS e Android.

Para adicionar os seus auscultadores:

1. A partir do seu dispositivo móvel, transfira e instale a aplicação Bowers & Wilkins Headphones.
2. Abra a aplicação e, depois, leia e siga as instruções relacionadas com as notificações e permissões da aplicação.
3. Depois de chegar ao ecrã principal, basta tocar em + e seguir as instruções dadas na aplicação.

### 6.5 Atualizações do software dos auscultadores

Periodicamente, a Bowers & Wilkins disponibiliza atualizações de software que aperfeiçoam e otimizam o desempenho dos seus auscultadores, ou que acrescentam novas funcionalidades.

A aplicação Bowers & Wilkins Headphones irá avisá-lo quando uma atualização de software estiver disponível. Toque na notificação e siga as instruções dadas na aplicação.

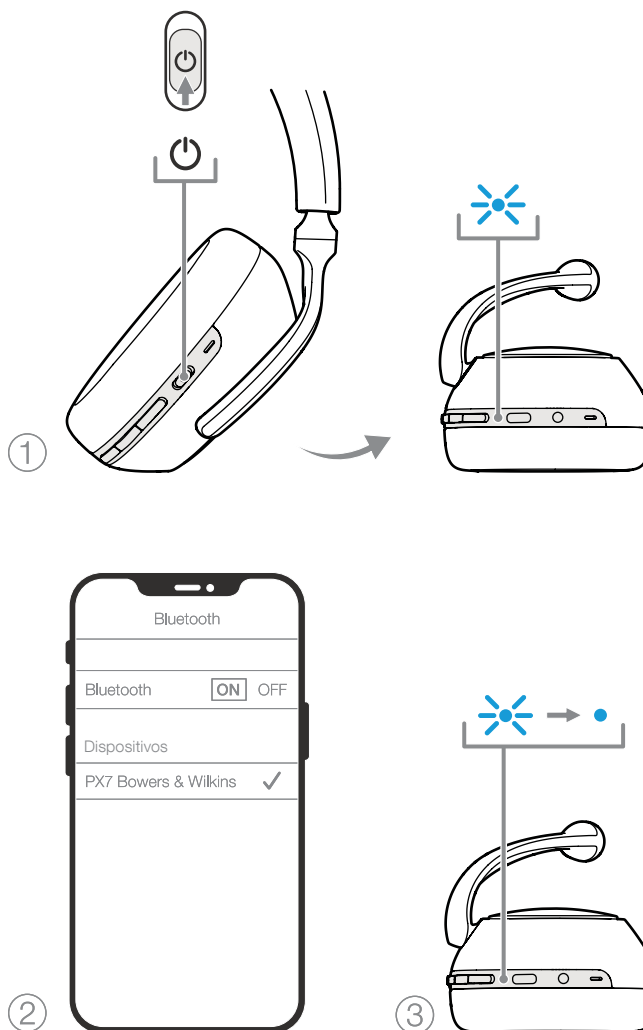


Imagem 7  
Emparelhamento Bluetooth

## 7. Ligação auxiliar

Além de Bluetooth, os PX7 também podem ser ligados a fontes de áudio através dos cabos de áudio de 3,5 mm ou dos cabos USB fornecidos.

### 7.1 Ligar com o cabo de áudio de 3,5 mm

O cabo de áudio de 3,5 mm permite utilizar os PX7 com um dispositivo com uma saída analógica, como uma tomada convencional para auscultadores em smartphones ou tablets, ou um sistema Hi-Fi tradicional. Consulte a Imagem 8.

1. Introduza o cabo de áudio de 3,5 mm na entrada de 3,5 mm dos auscultadores, no auricular direito.
2. Introduza a outra extremidade na entrada adequada do seu dispositivo.
3. Os PX7 desligam-se automaticamente de todos os dispositivos Bluetooth.

*Nota: Os auscultadores devem ter carga suficiente e estar ligados para reproduzir áudio a partir de um dispositivo de origem analógico. Os botões de volume e de reprodução/pausa não funcionam durante a utilização da interface de 3,5 mm.*

### 7.2 Ligar com o cabo USB

A ligação USB permite que os PX7 funcionem como um dispositivo de saída de som USB quando ligados a um computador com essa capacidade.

1. Introduza a extremidade USB-C na entrada USB-C dos PX7, no auricular direito.
2. Introduza a outra extremidade USB Tipo A na entrada adequada do seu computador.
3. Os PX7 desligam-se automaticamente de todos os dispositivos Bluetooth.
4. Procure e selecione os seus auscultadores a partir do painel de controlo de saída de áudio do computador.

*Nota: A bateria dos auscultadores também é carregada quando os auscultadores são ligados a uma porta USB do computador com essa capacidade.*

## 8. Desligar/ligar e reiniciar

### 8.1 Desligar/ligar

Pode desligar/ligar os seus PX7 da seguinte forma: ao mesmo tempo, prima os botões de aumentar e de diminuir o volume durante 10 segundos, até que o LED indicador se apague. Quando o indicador se voltar a acender, solte os botões. Reiniciar os auscultadores não irá repor as respetivas definições internas nem limpar o histórico do dispositivo emparelhado.

### 8.2 Repor predefinições

Pode limpar o histórico do dispositivo emparelhado e restaurar todas as predefinições. Com os PX7 ligados, ao mesmo tempo, prima os botões de aumentar e de diminuir o volume e o botão de cancelamento de ruído durante 10 segundos, até que o LED indicador se apague. Solte-os quando o indicador se voltar a acender. Os auscultadores estarão prontos para serem emparelhados com um dispositivo. Como alternativa, pode reiniciar a partir da aplicação Bowers & Wilkins Headphones. Consulte Reset (Reiniciar), em Settings (Definições), na aplicação.

## 9. Cuidados e manutenção

### 9.1 Guardar os PX7

Tomar os devidos cuidados com os seus PX7 irá garantir que continuam a proporcionar o melhor em termos de desempenho e experiência.

Quando não estiverem a ser utilizados, guarde os auscultadores na bolsa de armazenamento incluída. Recomenda-se que, primeiro, se desligue os auscultadores:

1. Recolha a banolette em cada um dos lados, de forma a atingir a posição mais pequena.
2. Com os botões virados para si, rode os auriculares para dentro, de forma a ficarem planos.
3. Coloque os auscultadores na bolsa de armazenamento.

## 9.2 Limpar os PX7

Os PX7 podem ser limpos com um pano de microfibras macio e húmido. Limpe-os ou lave-os com cuidado.

O tecido dos PX7 foi especialmente revestido com repelente de humidade e manchas. Se ocorrer acumulação de sujidade, manchas ou resíduos de fibra na superfície do tecido, limpe de acordo com as instruções acima.

- NÃO esfregue de forma agressiva, nem utilize uma ferramenta abrasiva para limpar, especialmente o tecido.
- NÃO utilize toalhas de papel, guardanapos ou lenços do nariz, pois todos deixam resíduos.
- NÃO utilize detergentes de limpeza, água com sabão, produtos para limpeza de artigos em pele, ou produtos de limpeza químicos.
- Certifique-se de que não entra humidade nos auriculares, botões e entradas de interface.

## 10. Assistência

Caso necessite de ajuda ou aconselhamento adicional em relação aos seus PX7, visite o site de assistência para auscultadores aqui: [www.bowerswilkins.com/support](http://www.bowerswilkins.com/support).

### Informação ambiental

Este produto cumpre as diretivas internacionais, incluindo mas não se limitando às seguintes normas: Diretiva relativa à restrição do uso de determinadas substâncias perigosas (RoHS: Restriction of Hazardous Substances) em equipamentos elétricos e eletrónicos; Regulamento relativo ao registo, avaliação, autorização e restrição de produtos químicos (REACH: Registration, Evaluation, Authorisation and Restriction of Chemicals) e Diretiva relativa aos Resíduos de Equipamentos Elétricos e Eletrónicos (REEEE). Consulte uma entidade local de recolha de resíduos para obter informação sobre como reciclar ou eliminar este produto de forma correta.

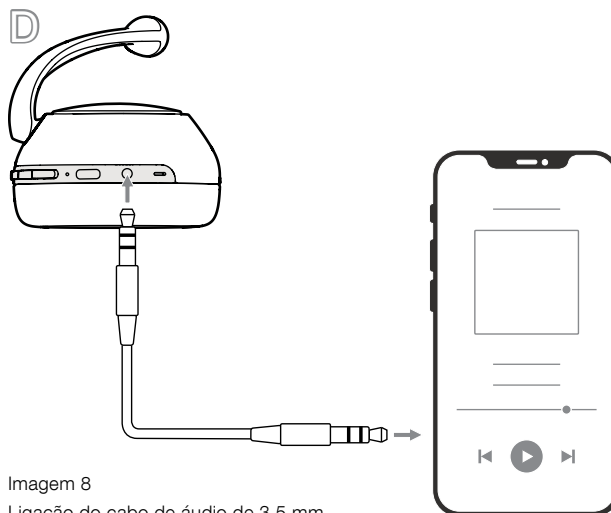


Imagem 8

Ligação do cabo de áudio de 3,5 mm

**Especificações**

Estilo de utilização	Auscultadores sem fios Bluetooth de usar sobre as orelhas
Características técnicas	Cancelamento adaptativo de ruído Pass-through de ambiente Sensor de deteção de utilização Áudio Bluetooth® - Bluetooth 5.0 com aptX™ Adaptive Carregamento por USB-C e interface de áudio Interface de áudio auxiliar de 3,5 mm
Codecs Bluetooth	aptX™ Adaptive aptX™ HD aptX™ Classic AAC SBC
Perfis Bluetooth	A2DP v1.3.1 AVRCP v1.6.1 HFP v1.7.1 HSP v1.2 BLE GATT (Perfil de Atributo Genérico)
Diafragmas	2 x ø 43,6 mm de gama total
Microfones	4x microfones para ANC 2x microfones para telefonia (CVC2 – Clear Voice Communication v2)
Gama de frequências	10 Hz a 30 kHz
Impedância de entrada	20 kOhms
Distorção (THD)	<0,3% (1 kHz/10 mW)
Tipo de bateria	Polímero de lítio recarregável
Duração da bateria e carregamento	30 horas com Bluetooth com ANC, 5 horas com carregamento de 15 min.
Entradas	Bluetooth, conector estéreo de 3,5 mm, áudio USB-C
Acessórios incluídos na caixa	Cabo de áudio estéreo de 1,2 m, cabo de 1,2 m de ligação USB-A a USB-C, bolsa de arrumação
Peso	310 gramas

## **Benvenuti e grazie per aver scelto un prodotto Bowers & Wilkins.**

Il nostro fondatore, John Bowers, era convinto che design attraente, capacità d'innovare e tecnologie all'avanguardia fossero fattori vincenti per la riproduzione audio domestica. Le sue idee sono ancor oggi condivise da noi tutti e fonte d'ispirazione per ogni modello che progettiamo, a partire da quelli concepiti per nuove esperienze audio al di fuori della casa.

Le PX7 sono cuffie circumaurali ad alte prestazioni progettate per offrire la miglior esperienza personale d'ascolto anche in movimento, unita alla praticità del collegamento senza fili e della cancellazione attiva del rumore. Questo manuale fornirà ogni informazione sul loro impiego per consentirvi di ottenere il massimo dalla vostra PX7.

Le cuffie possono riprodurre musica in streaming senza fili da smartphone, tablet o computer tramite Bluetooth, oppure, in maniera più tradizionale, essere collegate via cavo all'uscita cuffia di un dispositivo audio. Le PX7 possono anche riprodurre file musicali via USB da un computer ed essere impiegate per la telefonia wireless.

Le PX7 includono le nostre più recenti innovazioni in materia di cancellazione adattiva del rumore, passaggio delle informazioni ambientali e tecnologie dei sensori di posizione che rilevano quando la cuffia viene indossata. L'ultima generazione della funzione di cancellazione adattiva del rumore è stata riprogettata da zero per il rilevamento intelligente di ciò che avviene nell'ambiente circostante così da selezionare automaticamente il livello di cancellazione più adatto alla situazione nella quale ci si trova con l'obiettivo di offrire un'esperienza di ascolto senza compromessi. La funzione di passaggio delle informazioni ambientali permette di udire nitidamente i suoni esterni, come le conversazioni o gli annunci di sicurezza, senza doversi togliere le cuffie. I sensori di rilevamento della posizione consentono alla PX7 di rispondere in modo naturale ai comportamenti abituali, mettendo in pausa e riprendendo la riproduzione della musica semplicemente sollevando l'auricolare e riappoggiandolo poi sull'orecchio. Queste funzioni possono essere abilitate ed ulteriormente personalizzate tramite l'applicazione Bowers & Wilkins Headphone, disponibile gratuitamente per i dispositivi iOS e Android.

Le cuffie sono dotate di batteria ricaricabile. Con una ricarica completa ed a seconda del grado di utilizzo di Bluetooth, cancellazione adattiva del rumore e passaggio delle informazioni ambientali, la batteria può fornire fino a 30 ore di funzionamento continuo in streaming senza fili ad un livello medio di volume.

## 1. Contenuto della confezione

Cuffia PX7  
Custodia  
Cavo USB-C per la ricarica  
Cavo audio con mini-jack 3,5 mm  
Documentazione

## 2. Descrizione

### 2.1 Accensione e spegnimento della cuffia

La Figura 1 illustra il funzionamento dell'interruttore di alimentazione a slitta situato sull'auricolare destro.

#### Accensione

Per accendere la cuffia far scorrere il tasto fino alla posizione centrale. Verrà emesso un segnale acustico e l'indicatore luminoso si accenderà in verde, ambra o rosso a seconda del livello di carica residuo della batteria.

#### Spegnimento

Per spegnere la cuffia far scorrere il tasto verso la posizione inferiore. Verrà emesso un segnale acustico e la cuffia si spegnerà assieme all'indicatore luminoso.

### 2.2 Comandi della cuffia

La Figura 2 illustra i comandi della cuffia. I tasti volume e multifunzione sull'auricolare destro durante la riproduzione audio eseguono le seguenti funzioni:

Funzione	Comando
Avviare la riproduzione o metterla in pausa	Premere il tasto multifunzione una volta.
Passare alla traccia successiva	Premere il tasto multifunzione due volte in rapida successione. <i>Nota: funzionalità dipendente dal dispositivo sorgente.</i>
Tornare alla traccia precedente	Premere il tasto multifunzione tre volte in rapida successione. <i>Nota: funzionalità dipendente dal dispositivo sorgente.</i>
Alzare il volume	Premere il tasto Volume +.
Abbassare il volume	Premere il tasto Volume -.

Gli stessi tasti durante le conversazioni telefoniche eseguono invece le seguenti funzioni:

Funzione	Comando
Rispondere o chiudere una chiamata	Premere il tasto multifunzione una volta.
Rispondere ad una chiamata in arrivo	Quando si riceve una chiamata, premere il tasto multifunzione una volta.
Rifiutare una chiamata in arrivo	Quando si riceve una chiamata, premere il tasto multifunzione per 2 secondi.
Passare da una chiamata all'altra	Con due chiamate attive, premere il tasto multifunzione due volte.
Unire due chiamate	Con due chiamate attive, premere il tasto multifunzione per 1 secondo
Attivare il mute (silenziamiento)	Durante una chiamata, premere il tasto multifunzione tre volte.

### 2.3 Indicatore luminoso

L'indicatore è situato sull'auricolare destro, la Figura 3 illustra i diversi stati dell'indicatore.

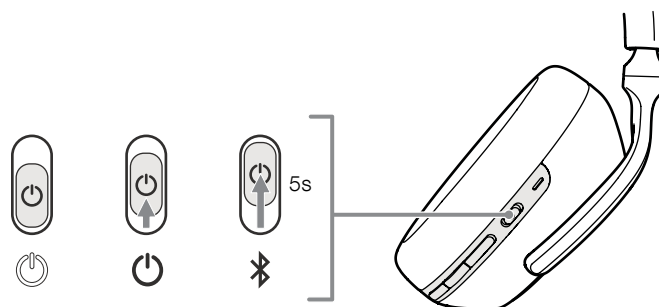


Figura 1  
Funzionamento dell'interruttore di alimentazione

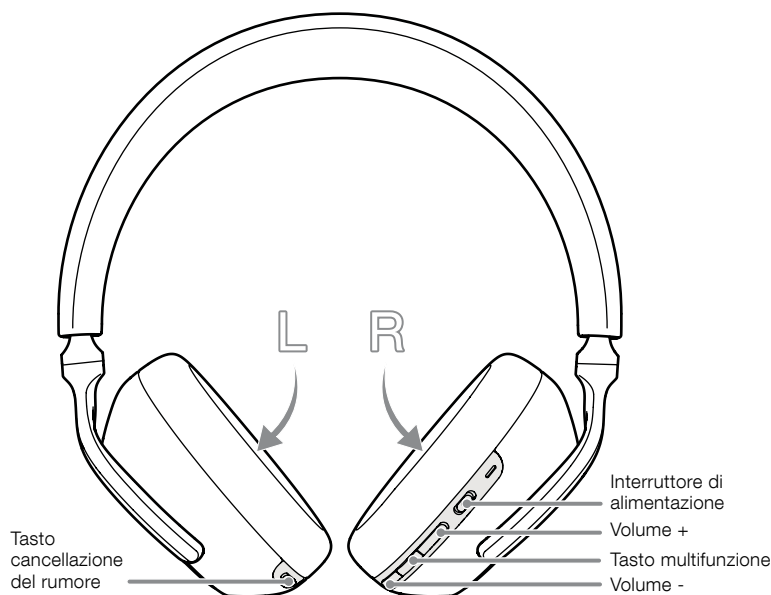


Figura 2  
Comandi della cuffia

Indicatore	Stato operativo
Bianco	Carica batteria superiore al 30%
Ambra	Carica batteria compresa tra il 30% ed il 10%
Rosso	Carica batteria inferiore al 10%
Rosso lampeggiante	Carica batteria insufficiente per il funzionamento
Blu lampeggiante	Modalità di abbinamento abilitata
Blu (accesso per 2 secondi)	Abbinamento riuscito
Blu lampeggiante (chiamate)	Chiamata in arrivo
Verde lampeggiante	Ricarica rapida
Verde	Batteria ricaricata, mantenimento carica

Figura 3  
Segnalazioni dell'indicatore luminoso

### 3. Funzioni intelligenti

#### 3.1 Cancellazione adattiva del rumore

La cancellazione del rumore della PX7 si avvale di una serie di avanzate tecnologie che aiutano a eliminare il rumore indesiderato dell'ambiente circostante.

La PX7 adotta le nostre più recenti innovazioni in materia di cancellazione adattiva del rumore, tra le quali il rilevamento intelligente che sceglie la regolazione più idonea in funzione delle condizioni presenti nell'ambiente. Come le condizioni cambiano, la cancellazione del rumore si adatta automaticamente alla nuova situazione.

Il tasto di cancellazione del rumore sull'auricolare sinistro viene utilizzato per passare da un livello all'altro, come sotto indicato. La Figura 2 illustra la posizione del tasto.

Livello	Applicazione
Alto	Adatto per situazioni costantemente molto rumorose come la cabina di un aereo.
Basso	Adatto per situazioni dove è necessario avere percezione dell'ambiente circostante.
Auto	Regola in modo intelligente la cancellazione del rumore più idonea alle condizioni dell'ambiente in cui ci si trova.
Spento	Disattiva la funzione di cancellazione del rumore.

#### 3.2 Passaggio delle informazioni ambientali

La PX7 è dotata di un sistema di passaggio delle informazioni ambientali che consente di udire alcuni suoni provenienti dall'ambiente circostante, come annunci di sicurezza o conversazioni, senza doversi togliere la cuffia.

Il tasto di cancellazione del rumore sull'auricolare sinistro controlla anche questa funzione. La Figura 2 illustra la posizione del tasto.

Funzione	Comando
Attivazione passaggio informazioni	Premere e mantenere premuto per 2 secondi il tasto di cancellazione rumore.
Disattivazione passaggio informazioni	Con il passaggio informazioni ambientali abilitato, premere e mantenere premuto il tasto di cancellazione del rumore per 2 secondi oppure premerlo una sola volta. La cuffia tornerà al livello di cancellazione del rumore precedente.

Tramite l'applicazione Bowers & Wilkins Headphones è possibile personalizzare ulteriormente il livello di passaggio delle informazioni ambientali in base alle proprie esigenze.

#### 3.3 Sensori di posizione

La PX7 incorpora i nostri più avanzati sensori di rilevamento della posizione in entrambi gli auricolari, come illustrato in Figura 4, che consentono di preservare in maniera intelligente la carica della batteria mettendo in standby la cuffia quando viene rimossa dalla testa. Indossandola nuovamente, la PX7 si riattiva in modo automatico riconnettendosi all'ultimo dispositivo Bluetooth cui era collegata.

La PX7 interrompe automaticamente la riproduzione audio quando uno dei due auricolari viene sollevato dall'orecchio, salvo riprendere quando l'auricolare viene riposizionato sull'orecchio. Questo automatismo è stato ulteriormente ottimizzato per attivarsi solo quando si è veramente pronti per ricominciare l'ascolto. Ciò significa che la cuffia non tenterà di riavviare la riproduzione nelle seguenti condizioni:

1. La cuffia viene accesa dallo stato di spenta.
2. La cuffia riprende a funzionare dallo stato di standby.
3. Al riavvio della cuffia (ad esempio dopo un ripristino alle impostazioni di fabbrica).

I sensori di posizione e la modalità standby possono essere regolati utilizzando l'applicazione Bowers & Wilkins Headphones.

*Nota: Prestare attenzione quando si indossa la cuffia: capelli o accessori intrappolati tra le orecchie e gli auricolari o indossare occhiali che distorcono il profilo delle orecchie, possono interferire con le prestazioni dei sensori di posizione.*

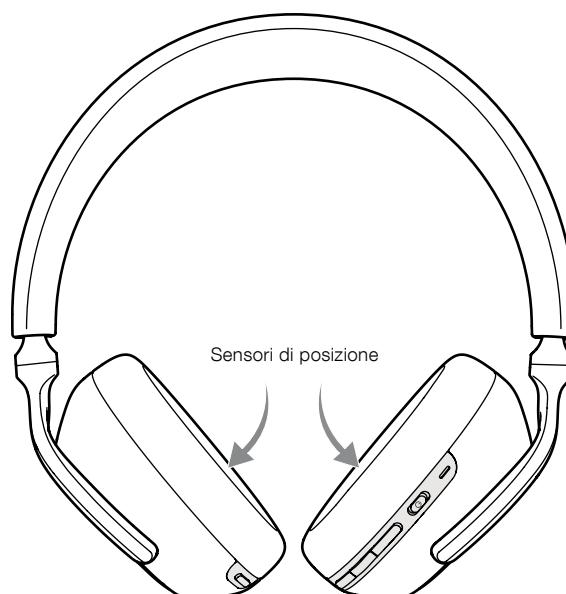


Figura 4  
Ubicazione dei sensori di posizione

#### 4. Ricarica della batteria e risparmio energetico

La PX7 viene fornita con la batteria parzialmente carica e può pertanto essere utilizzata immediatamente. Tuttavia è buona pratica ricaricare completamente la batteria prima di impiegare la cuffia. Possono essere necessarie fino a 3 ore per raggiungere la piena carica, durante questo tempo è comunque possibile utilizzarla.

Per ricaricare la batteria:

1. Utilizzare il cavo di ricarica in dotazione ed inserire la spina USB-A più grande in un caricabatterie a 230 V, oppure in una corrispondente presa alimentata di un computer.
2. Inserire la piccola spina USB-C nella presa nell'auricolare destro della PX7.

*Nota: Durante la ricarica, l'indicatore luminoso lampeggia in verde. Quando la batteria è completamente carica, l'indicatore rimane acceso stabilmente. La tabella di Figura 3 illustra i diversi stati dell'indicatore.*

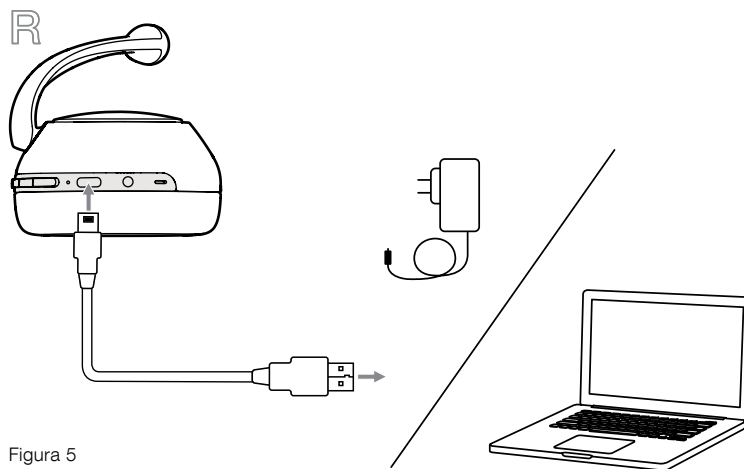


Figura 5  
Collegamento del cavo USB-C per la ricarica

##### 4.1 Risparmio energetico in standby

I sensori di rilevamento della posizione consentono di risparmiare energia in modo intelligente. Quando viene rimossa dalla testa, la PX7 entra automaticamente in standby, mettendo in pausa la riproduzione, scollegando la sorgente Bluetooth e passando in modalità di risparmio energetico.

Quando viene nuovamente indossata, la PX7 riprende a funzionare e si riconnette all'ultima sorgente Bluetooth cui era collegata. Si noti che per il corretto funzionamento entrambi i sensori di posizione negli auricolari devono rilevare che la cuffia è indossata. Se sono stati disabilitati tramite l'applicazione Bowers & Wilkins Headphones, anche la funzione di standby automatico risulterà disabilitata.

Con l'applicazione è possibile personalizzare quanto tempo deve trascorrere prima di passare allo standby automatico selezionando la voce Ritardo standby in Impostazioni.



#### 5. Come indossare la cuffia

Indossare correttamente la cuffia aiuta a garantire la migliore esperienza d'ascolto possibile. Si veda in proposito la Figura 6.

1. Identificare gli auricolari tramite le lettere L (sinistro) ed R (destra) situate all'interno di ciascuno di essi.
2. Indossare la cuffia con gli auricolari nella corretta posizione e regolare l'archetto in modo che poggi comodamente sulla testa.

*Nota: L'uso di occhiali che distorcono il profilo delle orecchie può interferire con le prestazioni della cuffia. Allo stesso modo, capelli intrappolati tra le orecchie e gli auricolari della cuffia possono interferire con le prestazioni dei sensori di posizione.*



Figura 6  
Come indossare correttamente la cuffia



## 6. Connessione Bluetooth

### 6.1 Abbinamento

La PX7 è progettata per riprodurre contenuti multimediali in streaming senza fili da dispositivi audio Bluetooth, come smartphone, tablet o personal computer. Per fare questo, la cuffia e il dispositivo sorgente devono prima essere abbinati.

1. Quando si accende per la prima volta, la cuffia entra in modalità di abbinamento Bluetooth e l'indicatore luminoso lampeggia in blu. Se tale modalità non viene attivata, spostare verso l'alto e mantenere nella posizione superiore (simbolo Bluetooth) per 5 secondi l'interruttore di alimentazione, rilasciandolo poi quando l'indicatore lampeggia in blu e viene emesso un segnale acustico.
2. Assicurarsi che sul dispositivo sorgente sia attivato il Bluetooth. La PX7 apparirà nell'elenco dei dispositivi rilevati: selezionarla per procedere con l'abbinamento.
3. Durante l'abbinamento l'indicatore lampeggia in blu per poi accendersi stabilmente in blu con la contemporanea emissione di un segnale acustico ad abbinamento riuscito.

La cuffia può memorizzare fino a otto dispositivi Bluetooth abbinati. Per abbinare altri dispositivi ripetere i passaggi precedenti attivando manualmente la modalità di abbinamento.

*Nota: La cuffia uscirà automaticamente dalla modalità di abbinamento Bluetooth se nessun dispositivo viene abbinato entro 5 minuti. Se l'operazione non ha successo, l'indicatore luminoso lampeggia velocemente in blu. In questo caso riprovare l'abbinamento.*

### 6.2 Connessioni Bluetooth multiple

Alla PX7 possono essere connessi contemporaneamente due dispositivi, ma si noti che è possibile riprodurre l'audio o ricevere chiamate da un solo dispositivo alla volta.

Per passare da un dispositivo all'altro:

1. Mettere in pausa l'audio sul primo dispositivo o utilizzare il tasto multifunzione della PX7.
2. Avviare la riproduzione sul secondo dispositivo: la cuffia commuta sul nuovo segnale.

Durante lo streaming audio, la ricezione di una chiamata sul secondo dispositivo interromperà automaticamente la riproduzione e la chiamata verrà inoltrata alla cuffia. Al termine della chiamata riprende automaticamente la riproduzione dal primo dispositivo.

### 6.3 Disconnessione da un dispositivo

È possibile disconnettere velocemente la PX7 da un dispositivo spostando l'interruttore di alimentazione verso l'alto (simbolo Bluetooth) due volte in rapida successione: Viene emesso un segnale acustico ad indicare l'avvenuta disconnessione.

In alternativa, è possibile gestire la connessione in modo più dettagliato utilizzando l'applicazione Bowers & Wilkins Headphones alla voce Connessioni.

### 6.4 Configurazione delle cuffie tramite l'applicazione

L'applicazione Bowers & Wilkins Headphones consente una configurazione più estesa e le regolazioni dei sensori di posizione e delle funzioni di cancellazione adattiva del rumore e passaggio delle informazioni ambientali. L'applicazione permette inoltre ulteriori personalizzazioni come disattivare gli annunci vocali, regolare il ritardo di standby, gestire le connessioni e gli aggiornamenti software per la cuffia. L'applicazione è disponibile per il download gratuito su dispositivi iOS e Android.

Per utilizzare l'applicazione con la vostra cuffia:

1. Scaricare ed installare sul dispositivo mobile l'applicazione Bowers & Wilkins Headphones.
2. Avviare l'applicazione, quindi leggere e seguire le istruzioni relative alle notifiche e ai permessi.
3. Dopo aver raggiunto la schermata principale, toccare + e seguire le istruzioni che appaiono sullo schermo.

### 6.5 Aggiornamenti software per la cuffia

Bowers & Wilkins, di tanto in tanto, rilascia aggiornamenti software che perfezionano ed ottimizzano le prestazioni della cuffia, oppure aggiungono nuove funzionalità.

L'applicazione Bowers & Wilkins Headphones vi informerà quando è disponibile un aggiornamento software: toccare la notifica e seguire le istruzioni che appaiono sullo schermo.

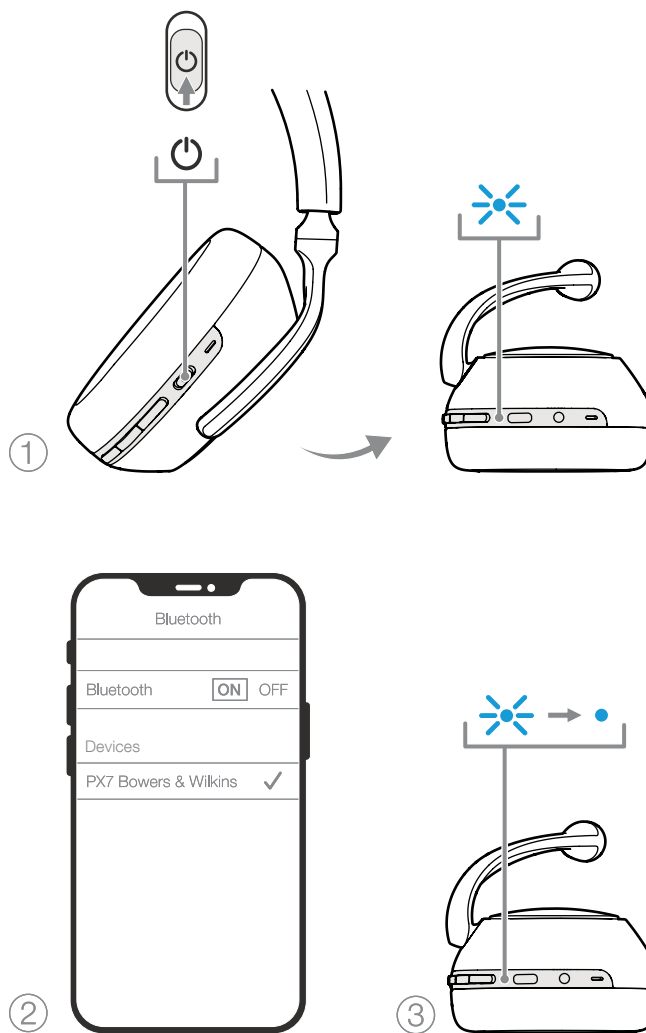


Figura 7  
Abbinamento Bluetooth

## 7. Collegamenti via cavo

In alternativa al Bluetooth, la PX7 può venir collegata a sorgenti audio utilizzando i cavi audio con mini-jack 3,5 mm o USB in dotazione.

### 7.1 Collegamento tramite cavo audio con mini-jack 3,5 mm

Il cavo audio consente di utilizzare la PX7 con apparecchi dotati di una classica uscita cuffia analogica, smartphone, tablet, riproduttori multimediali o amplificatori Hi-Fi tradizionali, come illustrato in Figura 8.

1. Inserire un mini-jack 3,5 mm del cavo audio nella presa tonda dell'auricolare destro della PX7.
2. Inserire l'altro mini-jack nella presa cuffia dell'apparecchio sorgente.
3. Una volta collegato il cavo la PX7 si disconnetterà automaticamente da qualsiasi dispositivo Bluetooth.

*Nota: La cuffia deve avere carica sufficiente ed essere accesa per riprodurre l'audio da una sorgente analogica. Quando si utilizza il collegamento via cavo i tasti volume e multifunzione per la riproduzione/pausa non sono attivi.*

### 7.2 Collegamento tramite cavo USB-C

La connessione USB consente alla PX7 di funzionare come dispositivo di uscita audio USB quando collegata ad un computer.

1. Inserire la piccola spina USB-C nell'analogica presa dell'auricolare destro della PX7.
2. Inserire la spina USB-A più grande in una corrispondente presa del computer.
3. Una volta collegato il cavo la PX7 si disconnetterà automaticamente da qualsiasi dispositivo Bluetooth.
4. Individuare e selezionare la cuffia nel pannello di controllo dell'uscita audio del computer.

*Nota: Quando si collega la PX7 ad una porta USB alimentata di un computer, la batteria si ricarica.*

## 8. Riavvio e ripristino

### 8.1 Riavvio

È possibile riavviare la PX7 tenendo premuti contemporaneamente i due tasti Volume + e Volume - per 10 secondi fino a quando l'indicatore luminoso si spegne e rilasciandoli poi quando l'indicatore si accende nuovamente. Riavviando la cuffia non verranno cancellati né le impostazioni, né l'elenco dei dispositivi Bluetooth abbinati.

### 8.2 Ripristino delle impostazioni di fabbrica

È possibile ripristinare le impostazioni predefinite di fabbrica e cancellare l'elenco dei dispositivi Bluetooth abbinati tenendo premuti, con la cuffia accesa, i tre tasti Volume +, Volume - e Cancellazione del rumore contemporaneamente per 10 secondi fino a quando l'indicatore luminoso si spegne e rilasciandoli poi quando l'indicatore si accende nuovamente. La cuffia ripartirà in modalità di abbinamento Bluetooth con un dispositivo sorgente. Alternativamente è possibile effettuare il ripristino dall'applicazione Bowers & Wilkins Headphones alla voce Reset nella pagina Impostazioni.

## 9. Cura e manutenzione

### 9.1 Conservazione

Prendersi cura della vostra PX7 garantisce che continui a fornire le migliori prestazioni a lungo.

Quando non utilizzata, conservare la cuffia nella custodia in dotazione. Si raccomanda di spegnerla prima di riporla:

1. Ritrarre l'archetto su ogni lato in modo da ridurre al minimo l'ingombro della cuffia.
2. Con i tasti rivolti in alto, ruotare gli auricolari verso l'interno così da appiattire la cuffia.
3. Riporre la cuffia nella sua custodia.

### 9.2 Pulizia

La PX7 può essere pulita con un morbido panno in microfibra inumidito. Strofinare con la massima delicatezza o tamponare.

Il tessuto della PX7 è rivestito con uno speciale strato antimacchia e repellente all'umidità. Se sporco, macchiato oppure residui di fibre si sono accumulati sulla superficie del tessuto, pulirlo strofinando con la massima delicatezza o tamponando. In particolare:

- NON strofinare in modo violento o utilizzare oggetti abrasivi, specialmente sul tessuto.
- NON utilizzare salviette di carta, tovaglioli o fazzoletti che possano lasciare residui.
- NON impiegare detersivi, acqua saponata, lucidanti o detersivi chimici.
- Assicurarsi che nessun liquido penetri all'interno degli auricolari, dei tasti e delle prese.

## 10. Supporto

Per un ulteriore aiuto o consigli sulla PX7, consultare le pagine dedicate all'assistenza: [www.bowerswilkins.com/it-it/support](http://www.bowerswilkins.com/it-it/support)

### Informazioni per l'ambiente

Questo prodotto è realizzato in conformità alle normative internazionali sulla limitazione delle sostanze pericolose (RoHS) come pure sulla registrazione, valutazione, autorizzazione e limitazione delle sostanze chimiche (REACH) e sullo smaltimento delle apparecchiature elettriche ed elettroniche (WEEE). Fare riferimento alle indicazioni dell'autorità del vostro Paese per il corretto riciclo o smaltimento del prodotto.

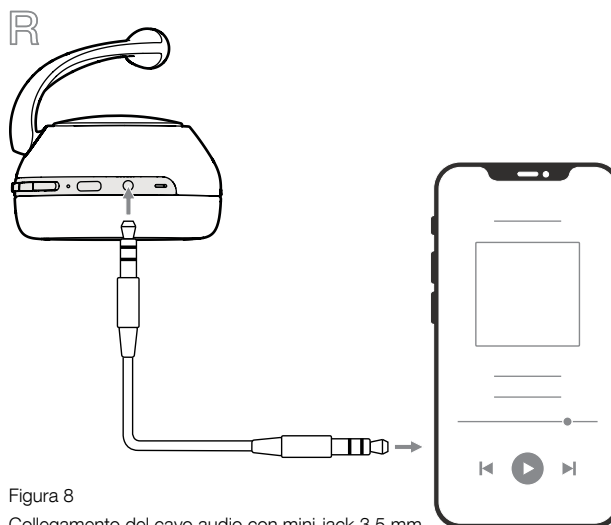


Figura 8  
Collegamento del cavo audio con mini-jack 3,5 mm

## Caratteristiche tecniche

Tipo	Cuffie circumaurali Bluetooth senza fili
Caratteristiche tecniche	Cancellazione adattiva del rumore Passaggio rumori ambientali Sensori di rilevamento posizione Bluetooth® audio – Bluetooth 5.0 con aptX™ Adaptive Presse USB-C per ricarica & interfaccia audio Presse mini-jack 3,5 mm per collegamento via cavo
Codec Bluetooth	aptX™ Adaptive aptX™ HD aptX™ Classic AAC SBC
Profili Bluetooth	A2DP v1.3.1 AVRCP v1.6.1 HFP v1.7.1 HSP v1.2 BLE GATT (Profilo di Attributo Generico)
Trasduttori	2 x 43,6 mm ø a gamma intera
Microfoni	4 per cancellazione rumore 2 per telefonia (CVC2 – Clear Voice Communication v2)
Gamma di frequenze	10 Hz – 30 kHz
Impedenza d'ingresso	20 kohm
Distorsione (THD)	<0,3% (1 kHz/10 mW)
Batteria	Ricaricabile ai polimeri di litio
Durata della batteria	30 ore streaming Bluetooth + cancellazione rumore, 5 ore con 15 min di ricarica
Ingressi	Bluetooth, mini-jack stereo 3,5 mm, USB-C audio
Accessori in dotazione	Cavo audio con mini-jack stereo da 1,2 m, cavo USB-A > USB-C da 1,2 m, custodia protettiva
Peso	310 g

## Добро пожаловать в Bowers & Wilkins и PX7

Благодарим вас за выбор продуктов Bowers & Wilkins. Наш основатель, Джон Бауэрс (John Bowers) верил в то, что творческий подход в проектировании, новаторская конструкция и передовые технологии смогут открыть людям путь к подлинному звучанию продуктов Bowers & Wilkins в доме. Мы продолжаем разделять его веру, и она вдохновляет нас при проектировании всех новых продуктов, в том числе тех, что нацелены на новые впечатления от аудио за пределами дома.

Bowers & Wilkins PX7 – это высококачественные закрытые наушники, сконструированные для того, чтобы обеспечить наивысшее качество мобильного персонального аудио в сочетании с удобствами беспроводной работы и спокойствием, благодаря шумоподавлению. В этой Инструкции описано все, что вам нужно знать, чтобы получить максимальную отдачу от ваших наушников PX7.

PX7 могут воспроизводить музыку, передаваемую без проводов с вашего мобильного телефона, планшета или компьютера через Bluetooth, или, как обычно, могут подключиться с помощью кабеля к соответствующему аналоговому выходу для наушников. PX7 могут воспроизводить аудио через USB-соединение с компьютером, а также использоваться для беспроводной телефонии.

Функция Real World Listening в арсенале PX7 использует наши новейшие достижения в адаптивном шумоподавлении (Adaptive Noise Cancellation), пропуске окружающих звуков (Ambient Pass-Through), а также улучшенную технологию отслеживания ваших движений (Wear Sensing). Наша функция шумоподавления нового поколения была разработана буквально с нуля, вместе с интеллектуальными возможностями сенсоров окружающей среды, чтобы автоматически выбирать тип шумоподавления, наиболее подходящий для вашей окружающей среды. Ее единственной целью является обеспечение бескомпромиссного качества прослушивания. Функция Ambient Pass-Through позволяет четко слышать внешние звуки, такие как разговоры или объявления по громкой связи о безопасности, без необходимости снимать наушники. Функция Wear Sensing позволяет PX7 реагировать естественным образом на действия владельца, приостанавливая или возобновляя музыку, когда он просто поднимает наушник или надевает его обратно. Эти функции могут быть включены и дополнительно настроены с помощью приложения для наушников Bowers & Wilkins Headphone App, доступного бесплатно для устройств под iOS и Android.

В PX7 установлен аккумулятор. От одной полной зарядки аккумулятора и в зависимости от активности использования Bluetooth, Adaptive Noise Cancellation и Ambient Pass-Through, наушники могут проработать 30 часов подряд – при стриминге музыки, с работающим шумоподавлением и при среднем уровне громкости.

## 1. Содержимое упаковки PX7

Беспроводные наушники PX7  
 Защитная сумочка  
 Кабель для зарядки с USB-C разъемами  
 3,5-мм аудио кабель  
 Комплект документации

## 2. Знакомство с наушниками PX7

### 2.1 Включение/выключение наушников

На Diagram 1 показаны функции сдвижного переключателя Power (Вкл/выкл).

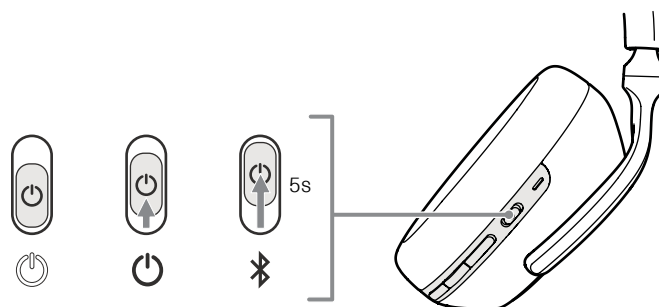


Diagram 1  
 Функции переключателя Power

#### Включение

Переключатель Power расположен на правой чашке наушников. Сдвиньте переключатель питания в среднее положение. Наушники издадут звуковой сигнал, а светодиодный индикатор загорится зеленым, желтым или красным цветом, отображая текущий уровень заряда.

#### Выключение

Сдвиньте выключатель питания в нижнее положение. Наушники опять издадут звуковой сигнал и выключатся, а светодиодный индикатор погаснет.

### 2.2 Управление наушниками

На Diagram 2 показаны органы управления наушниками. Для управления воспроизведением аудио по Bluetooth можно использовать следующие кнопки на правой чашке наушников:

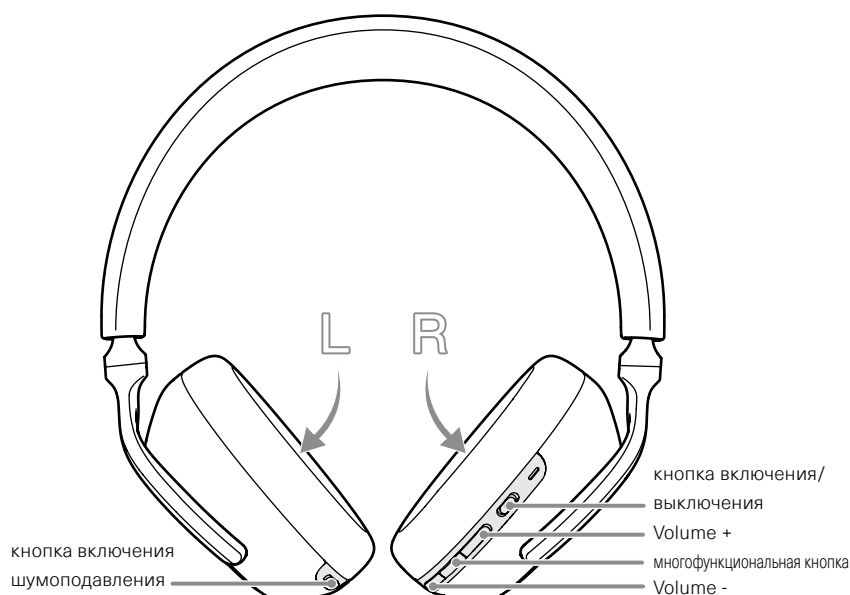


Diagram 2  
 Кнопки управления наушниками

Функция	Действие
Воспроизведение (Play) или пауза (Pause)	Нажмите на многофункциональную кнопку один раз.
Перейти к воспроизведению следующего трека	Нажмите быстро 2 раза на многофункциональную кнопку. <i>Примечание: выполнение этой команды зависит от источника</i>
Перейти к воспроизведению предыдущего трека	Нажмите быстро 3 раза на многофункциональную кнопку. <i>Примечание: выполнение этой команды зависит от источника</i>
Повысить громкость	Нажмите на кнопку Volume +
Снизить громкость	Нажмите на кнопку Volume -

Для телефонных разговоров используйте следующие кнопки на правой чашке наушников:

Функция	Действие
Для ответа на звонок или завершения разговора	Нажмите на многофункциональную кнопку один раз.
Для ответа на входящий звонок	При появлении вызова нажмите на многофункциональную кнопку один раз
Для отказа от ответа на звонок	При появлении вызова нажмите многофункциональную кнопку и удержите ее в течение 2 секунд
Переключение между вызовами	При появлении двух вызовов нажмите на многофункциональную кнопку два раза
Объединение двух вызовов	При появлении двух активных вызовов нажмите многофункциональную кнопку и удержите ее в течение 1 секунды
Переключение приглушения звука – Toggle mute	Во время разговора нажмите многофункциональную кнопку 3 раза подряд

Индикация	Рабочее состояние
Белая	Заряд аккумулятора более 30%
Янтарная	Заряд аккумулятора от 30% до 10%
Красная	Заряд аккумулятора менее 10%
Мигающая красная	Заряд аккумулятора не достаточен для работы наушников
Мигающая синяя	Запущена процедура сопряжения
Синяя (постоянно в течение 2 секунд)	Процедура сопряжения прошла успешно
Мигающая синяя (звонки)	Входящий звонок
Мигающая зеленая	Быстрая зарядка
Зеленая (постоянно)	Аккумулятор полностью заряжен

Diagram 3  
 Индикация состояния светодиоом LED индикатора

### 2.3 Индикация статуса

Светодиодный индикатор состояния расположен на правой чашке наушников. На Diagram 3 показаны значения цветов и режимов LED индикатора состояния.

## 3. Интеллектуальные функции

### 3.1 Адаптивное шумоподавление

Шумоподавление представляет собой комплекс передовых технологий, которые помогают в устранении нежелательного шума из окружающей среды.

PX7 отличаются использованием наших самых последних достижений в адаптивном шумоподавлении, в том числе интеллектуальных сенсоров, воспринимающих звуки и приспосабливающих режимы шумоподавления, а также выбирающих самые лучшие настройки для вашей окружающей среды. По мере изменения вашего окружения шумоподавление автоматически адаптируется, чтобы соответствовать новому состоянию вашей среды.

Кнопка шумоподавления (Noise Cancellation) на левом наушнике используется для переключения между следующими режимами, см. Diagram 2, где показано расположение кнопок:

Режим	Применение
High	Подходит для постоянно шумных окружающих сред, таких как кабина самолета.
Low	Подходит для таких окружающих сред, где необходима информация о них
Auto	Интеллектуально адаптирует алгоритмы шумоподавления, выбирая наилучший вариант для текущей обстановки
Off	Отключение функций шумоподавления

### 3.2 Сквозной пропуск окружающих звуков

Функция сквозного пропуска окружающих звуков в наушниках PX7 обеспечивает слышимость некоторых внешних звуков, таких как разговоры или объявления по громкой связи, без необходимости снимать наушники.

Кнопка шумоподавления – Noise Cancellation на левой чашке наушников позволяет контролировать эту функцию, см. Diagram 2, где показано расположение кнопок.

Функция	Действие
Активация функции сквозного пропуска	Нажмите кнопку Noise Cancellation и удержите ее в течение 2 секунд
Отключение функции сквозного пропуска	При активированной функции сквозного пропуска нажмите кнопку Noise Cancellation и удержите ее в течение 2 секунд, и наушники вернуться в предыдущий режим шумоподавления

Уровень сквозного пропуска окружающих звуков можно настроить по вашему вкусу, используя приложение Bowers & Wilkins Headphones App.

### 3.3 Сенсоры слежения за движениями

В PX7 установлены наши новейшие, улучшенные сенсоры слежения за движениями владельца, причем на обеих ушных чашках, см. Diagram 4. Они помогают, во-первых, экономить заряд аккумулятора, переводя наушники в режим ожидания standby при снятии их с головы. Если надеть их обратно, PX7 автоматически пробуждаются и соединяются с последним сопряженным Bluetooth устройством.

В ходе воспроизведения источника, PX7 автоматически делают паузу при поднятии вверх любой из ушных чашек. Воспроизведение автоматически возобновится, если надеть ее обратно. Процедура автоматического возобновления дополнительно оптимизирована, так что наушники просыпаются только тогда, когда вы готовы. Это означает, что они не будут пытаться возобновить воспроизведение в следующих условиях:

1. Наушники включаются из полностью выключенного состояния.
2. Наушники просыпаются из состояния standby.
3. Наушники перезагружаются (например, после сброса настроек к заводским установкам).

Сенсоры слежения за движениями и режим standby можно настроить, используя приложение Bowers & Wilkins Headphones App.

*Примечание: Будьте внимательны: волосы или аксессуары, зажатые между вашими ушами и чашками наушников, а также дужки очков могут исказить профиль ваших ушей и помешать работе сенсоров приближения.*

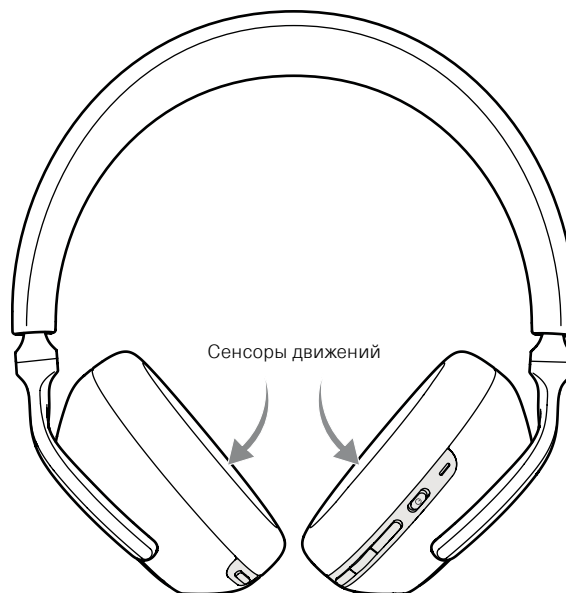


Diagram 4  
Сенсоры слежения за движениями

## 4. Зарядка аккумулятора и экономия энергии

Наушники PX7 поставляются с частично заряженным аккумулятором и их можно использовать сразу же. Однако для лучших результатов желательно полностью зарядить аккумулятор, прежде чем их первый раз слушать. Потребуется до 3 часов для полной зарядки, однако PX7 вполне можно начать слушать и в процессе зарядки.

Для зарядки:

1. Используя прилагаемый кабель, подсоедините его к активному USB разъему: либо к компьютерному порту USB-A, либо к адаптеру для зарядки USB устройств.
2. Затем вставьте USB-C штекер кабеля в разъем USB-C на наушниках.

*Примечание: В ходе зарядки индикатор наушников будет мигать зеленым цветом. При полной зарядке индикатор будет постоянно светиться зеленым. См. Diagram 3, где приведена индикация состояния светодиодом LED индикатора.*

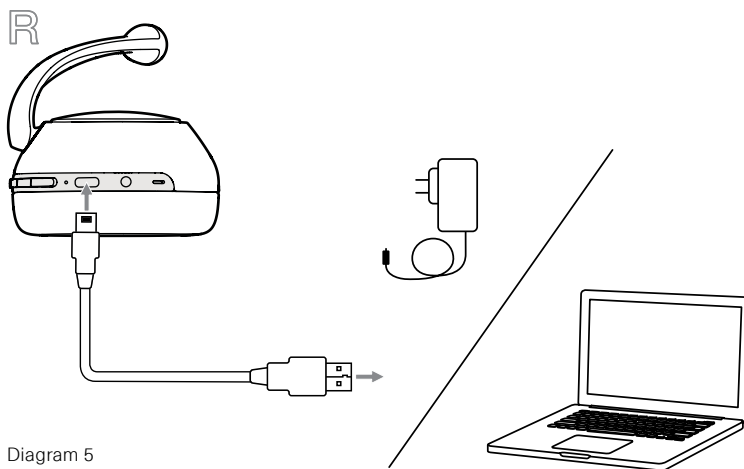


Diagram 5  
Подсоединение кабеля USB-C

### 4.1 Экономия энергии в режиме Standby

Датчики обнаружения движений владельца PX7 интеллектуально экономят энергию. Когда вы снимаете наушники с головы, PX7 автоматически переходит в режим ожидания, который приостанавливает воспроизведение мультимедиа, отключает Bluetooth и переключается в режим низкого энергопотребления.

При повторном одевании наушники PX7 просыпаются и снова подключаются к последнему выбранному источнику Bluetooth. Обратите внимание, что обе чашки наушников должны обнаружить движения для правильной работы. Если датчики движения отключены с помощью приложения, эта функция также будет отключена.

С помощью приложения вы можете настроить время – как долго наушники будут ждать перед переключением в режим автоматического ожидания, см. таймер ожидания – Standby Timer в разделе Settings в приложении.



## 5. Как носить наушники

Правильное использование наушников поможет обеспечить реализацию их полного потенциала. См. Diagram 6.

1. Сначала, определите левую и правую чашки наушников. Надписи можно найти на нижней внутренней части оголовья.
2. Наденьте наушники на голову, отрегулировав оголовье так, чтобы каждая чашка удобно сидела над ухом.

*Примечание: Очки, искажающие профиль ваших ушей могут помешать качественной работе наушников. Точно так же волосы, зажатые между ушами и чашками наушников могут осложнить работу сенсоров приближения.*



Diagram 6  
Как носить наушники



## 6. Bluetooth соединение

### 6.1 Сопряжение наушников

Наушники PX7 предназначены для беспроводной передачи потокового аудио с Bluetooth устройств, таких как смартфоны, планшеты или персональные компьютеры. Для этого сначала необходимо выполнить сопряжение наушников и устройства (источника).

1. Когда вы включите наушники PX7 первый раз, они сразу войдут в режим сопряжения по Bluetooth, и индикатор при этом начнет мигать синим цветом. Если режим сопряжения не запустился сам, пожалуйста, сдвиньте вверх (в сторону символа Bluetooth) и удержите переключатель питания Power в течение 5 секунд – пока индикатор не начнет мигать синим цветом и не раздастся звуковой сигнал.
2. Убедитесь, что функция Bluetooth активирована на аудио устройстве, и когда PX7 появятся в списке обнаруженных устройств, выберите их для сопряжения.
3. Индикатор наушников будет мигать синим, пока сопряжение продолжается и переключится на непрерывный синий, когда соединение будет установлено. Наушники при этом выдадут звуковой сигнал, когда сопряжение установлено.

Ваши наушники могут запомнить до восьми сопряженных Bluetooth устройств. Повторите указанные выше шаги для последующих сопряжений с другими устройствами.

*Примечание: Беспроводные наушники PX7 автоматически выйдут из режима Bluetooth сопряжения, если в течение 5 минут не удастся сопрячь их ни с одним устройством. Если сопряжение не будет установлено, индикатор будет часто вспыхивать белым цветом, попробуйте повторить процедуру сопряжения еще раз.*

### 6.2 Соединение с несколькими Bluetooth устройствами.

Можно подсоединить к PX7 сразу два сопряженных устройства, но имейте в виду, что вы сможете слушать музыку или принимать телефонные звонки только с одного устройства одновременно.

Переключение между двумя устройствами:

1. Сделайте паузу на первом устройстве или используйте многофункциональную кнопку.
2. Запустите воспроизведение на втором устройстве, и наушники сами переключатся на него.

При потоковой передаче аудио, получение телефонного вызова на второе устройство автоматически приостановит воспроизведение, и звонок будет автоматически переведен в ваши наушники. После завершения вызова произойдет автоматическое возобновление воспроизведения с первого устройства.

### 6.3 Отключение от устройства

Чтобы отсоединить Bluetooth устройство от PX7, сдвиньте 2 раза быстро вверх переключатель питания Power (в сторону символа Bluetooth) – после этого раздастся звуковой сигнал, подтверждающий разрыв соединения.

Кроме того, вы можете более подробно управлять соединением, используя приложение Bowers & Wilkins Headphones app в разделе Connections.

### 6.4 Настройка наушников с помощью приложения

Приложение Bowers & Wilkins Headphone app обеспечивает расширенные возможности настройки и управления, в том числе для функций Adaptive Noise Cancellation, Ambient Pass-Through и Wear Sensors. Приложение также обеспечивает дополнительные настройки, такие как голосовая подсказка, время до перехода в режим ожидания standby, управление соединением и обновление программного обеспечения наушников. Приложение доступно в качестве бесплатной загрузки на устройствах iOS и Android.

Чтобы добавить ваши наушники:

1. С вашего мобильного устройства, скачайте и установите приложение Bowers & Wilkins Headphones.
2. Запустите приложение, а затем читайте указания и следуйте инструкциям, относящимся к разрешениям и уведомлениям данного приложения.
3. После достижения главного экрана, просто коснитесь символа + и, следуйте инструкциям, появляющимся в приложении.

### 6.5 Обновления программного обеспечения наушников

Время от времени Bowers & Wilkins будет выпускать обновления программного обеспечения, которые улучшают и оптимизируют работу ваших наушников или же добавляют новые функции.

Приложение Bowers & Wilkins Headphones уведомит вас, когда станет доступно обновление программного обеспечения, после этого нажмите на уведомление и следуйте инструкциям в приложении.

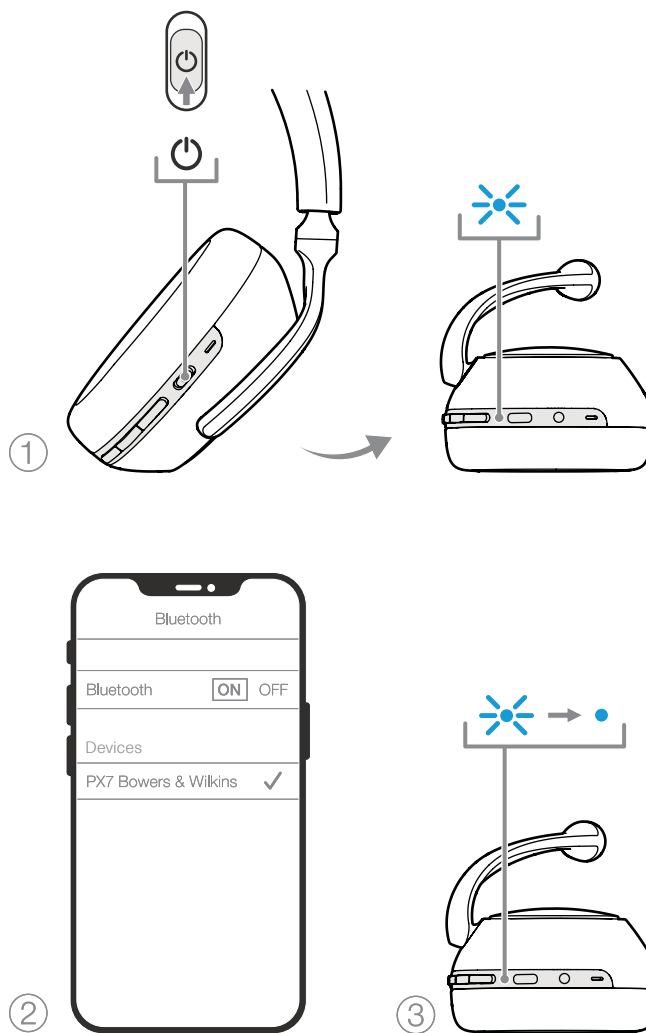


Diagram 7  
Bluetooth сопряжение



## 7. Вспомогательные соединения

Кроме работы через Bluetooth, PX7 можно также подсоединить к источнику аудио, используя прилагаемый аудио кабель с 3,5-мм разъемом или USB кабель.

### 7.1 Соединение с помощью 3,5-мм аудио кабеля

3,5 мм аудио кабель позволяет использовать ваши PX7 с устройством, поддерживающим аналоговый выход через обычное гнездо для наушников, например, на смартфонах и планшетах, или на традиционных hi-fi системах. См. Diagram 8.

1. Вставьте 3,5 мм аудиокабель в 3,5 мм разъем на правой чашке наушников.
2. Возьмите другой конец и вставьте в соответствующий разъем на вашем устройстве.
3. Ваши PX7 автоматически отключатся от любых Bluetooth устройств.

*Примечание: ваши наушники должны иметь достаточно заряд и быть переключены на воспроизведения звука с устройств типа аналогового источника. Кнопки регулировки громкости и Play/Pause – воспроизведение/пауза не будут работать при использовании 3,5-мм интерфейса.*

### 7.2 Соединение с помощью USB кабеля

USB соединение позволяет наушникам PX7 работать в качестве выходного устройства, при подключении к подходящему компьютеру.

1. Возьмите конец USB-C аудио кабеля и аккуратно вставьте его в гнездо USB-C в правой чашке наушников PX7.
2. Подсоедините другой конец кабеля USB Type A к соответствующему гнезду на вашем компьютере.
3. PX7 автоматически отключатся от любого Bluetooth устройства.
4. Найдите и выберите наушники из списка в панели управления аудио выходом компьютера.

*Примечание: при подключении к компьютеру с USB-портом, аккумулятор внутри наушников будет также подзаряжаться.*

## 8. Выключение/включение и сброс настроек

### 8.1 Выключение/включение

Вы можете выключить, а затем вновь включить свои наушники PX7, одновременно нажав и удержав кнопки Volume + и Volume-в течение 10 секунд, до тех пор, пока индикатор не погаснет, после этого отпустите кнопки и индикатор снова загорится. Перезагрузка ваших наушников не сбросит их внутренние настройки и не очистит список сопряженных устройств.

### 8.2 Сброс к значениям по умолчанию

Вы можете очистить историю сопряженных устройств и восстановить все настройки по умолчанию. При включенных PX7 одновременно удерживайте кнопки Volume +, Volume – и Noise Cancellation (шумоподавления) в течение 10 секунд, пока светодиодный индикатор не погаснет, затем отпустите их, и когда индикатор загорится снова, наушники снова будут готовы к сопряжению с устройством. Кроме этого, сбросить настройки вы можете с помощью приложения Bowers & Wilkins Headphones, пожалуйста, смотрите пункт Reset в разделе Settings приложения

## 9. Уход и обслуживание

### 9.1 Хранение PX7

Уход за вашими наушниками PX7 обеспечит продление самого лучшего качества воспроизведения и ваших впечатлений.

Если наушники не используются, спрячьте их в прилагаемую сумочку для хранения. Рекомендуется сначала выключить наушники:

1. Уберите оголовье с каждой стороны, так чтобы они были в самом компактном положении.
2. Когда кнопки обращены к вам, поверните чашки наушников внутрь, так чтобы они лежали ровно.
3. Поместите наушники в сумочку для хранения.

### 9.2 Очистка ваших PX7

Ваши PX7 можно чистить мягкой, влажной микроволоконной тканью, просто аккуратно протереть их или промокнуть чистой тканью.

Ткань на PX7 имеет специальное покрытие для защиты от влаги и грязи. Если грязь, пятна или остатки ниток все же накапливаются на поверхности ткани, пожалуйста, очистите ее так, как указано выше.

- НЕ следует агрессивно тереть или использовать абразивные средства для очистки, особенно для ткани.
- НЕ используйте бумажные полотенца, салфетки или салфетки
- НЕ используйте чистящие средства, мыльную воду, полировочные или другие химические средства.
- Убедитесь, что влага не попала внутрь наушников, кнопок и интерфейсных портов.

## 10. Поддержка

Если вам требуется помощь или совет для владельцев PX7, пожалуйста, посетите сайт поддержки Headphones [www.bowerswilkins.com/support](http://www.bowerswilkins.com/support).

### Экологическая информация

Этот продукт соответствует международным директивам, включая, но не ограничиваясь ограничением опасных веществ (Restriction of Hazardous Substances – RoHS) в электрическом и электронном оборудовании, регистрации, оценке, авторизации и ограничениям на использование химических веществ (REACH) и удаление отходов электрического и электронного оборудования (WEEE). Проконсультируйтесь с вашим местным органом по утилизации отходов для получения рекомендаций о том, как правильно рециклировать или утилизировать этот продукт.

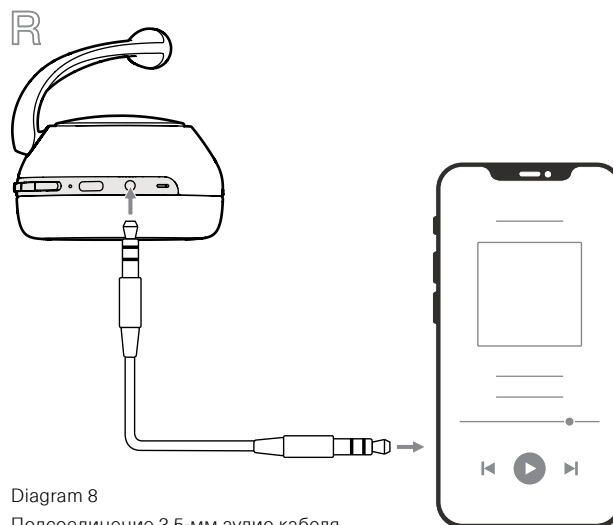


Diagram 8

Подсоединение 3,5-мм аудио кабеля

**Технические характеристики**

Стиль ношения	Закрытые беспроводные наушники с Bluetooth
Достоинства	Адаптивное шумоподавление – Adaptive Noise Cancelling Сквозной пропуск окружающих звуков – Ambient Pass-Through Сенсор движений – Wear-Detection Sensor Bluetooth® аудио – Bluetooth 5.0 с aptX™ Adaptive Порт USB-C для зарядки и аудио сигнала 3.5mm аудио вход AUX
Bluetooth кодеки	aptX™ Adaptive aptX™ HD aptX™ Classic AAC SBC
Bluetooth профили	A2DP v1.3.1 AVRCP v1.6.1 HFP v1.7.1 HSP v1.2 BLE GATT (Generic Attribute Profile)
Динамики	2 x ø 43.6 мм, полнодиапазонные
Микрофоны	4x микрофона для ANC, 2x микрофона для телефонии (CVC2 – Clear Voice Communication v2)
Диапазон частот	10 Гц – 30 кГц
Входной импеданс	20 кОм
Искажения (THD)	< 0.3% (1 кГц, 10 мВт)
Аккумулятор	Литиево-полимерный
Время работы	30 часов Bluetooth с ANC, 5 часов после 15 минут быстрой зарядки
Входы	Bluetooth, 3.5-стерео разъем, USB-C для аудио
Прилагаемые аксессуары	1.2 м стерео аудио кабель, 1.2 м USB-A – USB-C кабель, сумочка для хранения
Вес	310 г

## Καλωσορίσατε στην Bowers & Wilkins και τα ακουστικά PX7

Σας ευχαριστούμε που επιλέξατε την Bowers & Wilkins. Ο John Bowers ίδρυσε την εταιρεία μας με την πεποίθηση ότι η ευφάνταστη σχεδίαση, η καινοτομία στην ανάπτυξη και η εξελιγμένη τεχνολογία θα ήταν τα κλειδιά που θα άνοιγαν νέους κόσμους απόλαυσης του ήχου στο σπίτι. Αυτήν την πίστη του συνεχίζουμε να μοιραζόμαστε και εμπνέει κάθε προϊόν που σχεδιάζουμε, προσαρμοσμένη για νέες ηχητικές εμπειρίες εκτός σπιτιού.

Τα Bowers & Wilkins PX7 είναι ακουστικά κεφαλής υψηλής απόδοσης, σχεδιασμένα ώστε να σας παρέχουν την καλύτερη δυνατή ηχητική εμπειρία για φορητές συσκευές, σε συνδυασμό με την άνεση της ασύρματης λειτουργίας και τη γαλήνη της εξουδετέρωσης θορύβου. Σε αυτό το εγχειρίδιο θα μάθετε όλα όσα πρέπει να γνωρίζετε, για να αξιοποιήσετε στο έπακρο τα ακουστικά PX7.

Τα ακουστικά PX7 μπορούν να αναπαράγουν ασύρματη ροή μουσικής από το κινητό τηλέφωνο, το tablet ή τον υπολογιστή σας μέσω Bluetooth ή μέσω ενός καλωδίου συμβατικά συνδεδεμένου με βύσμα σε μια κατάλληλη αναλογική έξοδο ακουστικών. Τα PX7 μπορούν επίσης να αναπαράγουν ήχο μέσω σύνδεσης USB από έναν υπολογιστή, καθώς και να χρησιμοποιηθούν για ασύρματη τηλεφωνία.

Οι δυνατότητες Real World Listening (Πραγματική ακρόαση) των ακουστικών PX7 περιλαμβάνουν τις τελευταίες μας καινοτομίες στις τεχνολογίες Adaptative Noise Cancellation (Προσαρμοστική εξουδετέρωση θορύβου), Ambient Pass-Through (Διέλευση ήχου περιβάλλοντος) και βελτιωμένη τεχνολογία Wear Sensing (Ανίχνευση χρήσης). Η τελευταία μας γενιά τεχνολογίας εξουδετέρωσης θορύβου σχεδιάστηκε από μηδενική βάση με έξυπνες δυνατότητες ανίχνευσης περιβάλλοντος, για αυτόματη επιλογή του κατάλληλου τύπου εξουδετέρωσης θορύβου που είναι καλύτερος για το περιβάλλον σας, με αποκλειστικό στόχο να παρέχει μια απaráμιλλη εμπειρία ακρόασης. Η δυνατότητα Ambient Pass-Through (Διέλευση ήχου περιβάλλοντος) επιτρέπει να ακούγονται καθαρά εξωτερικοί ήχοι, όπως συζητήσεις ή ανακοινώσεις ασφαλείας, χωρίς να χρειάζεται να αφαιρεθούν τα ακουστικά. Η δυνατότητα Wear Sensing (Ανίχνευση χρήσης) επιτρέπει στα PX7 να ανταποκρίνονται με φυσικότητα, πραγματοποιώντας παύση και συνέχιση της μουσικής όταν ανασηκώνετε ένα από τα ακουστικά από το αυτί σας. Αυτές οι δυνατότητες μπορούν να ενεργοποιηθούν και να προσαρμοστούν περαιτέρω μέσω της εφαρμογής Bowers & Wilkins Headphones που είναι διαθέσιμη δωρεάν σε συσκευές με λειτουργικό σύστημα iOS και Android.

Τα PX7 ενσωματώνουν μια επαναφορτιζόμενη μπαταρία. Όταν είναι πλήρως φορτισμένη και ανάλογα με τον βαθμό χρήσης των δυνατοτήτων Bluetooth, Adaptative Noise Cancellation (Προσαρμοστική εξουδετέρωση θορύβου) και Ambient Pass-Through (Διέλευση ήχου περιβάλλοντος), η μπαταρία μπορεί να παρέχει έως και 30 ώρες συνεχούς ασύρματης ροής πολυμέσων με την εξουδετέρωση θορύβου ενεργοποιημένη, σε μέση ένταση αναπαραγωγής ήχου.

## 1. Περιεχόμενα συσκευασίας ακουστικών PX7

Ακουστικά PX7  
Θήκη φύλαξης  
Καλώδιο φόρτισης USB-C  
Καλώδιο ήχου 3,5 mm  
Πακέτο εντύπων τεκμηρίωσης

## 2. Εξοικείωση με τα ακουστικά PX7

### 2.1 Ενεργοποίηση και απενεργοποίηση των ακουστικών

Το διάγραμμα 1 απεικονίζει τη λειτουργικότητα του διακόπτη λειτουργίας.

#### Ενεργοποίηση

Ο διακόπτης λειτουργίας βρίσκεται στο δεξί ακουστικό. Σύρετε τον διακόπτη λειτουργίας στη μεσαία θέση. Θα ακουστεί ένα ηχητικό σήμα και η ενδεικτική λυχνία LED θα ανάψει με πράσινο, πορτοκαλί ή κόκκινο χρώμα, υποδεικνύοντας την τρέχουσα στάθμη φόρτισης.

#### Απενεργοποίηση

Σύρετε τον διακόπτη λειτουργίας στην κάτω θέση. Θα ακουστεί ένα ηχητικό σήμα και τα ακουστικά θα έχουν απενεργοποιηθεί όταν η ενδεικτική λυχνία LED είναι πλέον σβηστή.

### 2.2 Χειριστήρια ακουστικών

Το διάγραμμα 2 απεικονίζει τα χειριστήρια των ακουστικών. Τα παρακάτω κουμπιά στο δεξί ακουστικό χρησιμοποιούνται για την αναπαραγωγή πολυμέσων:

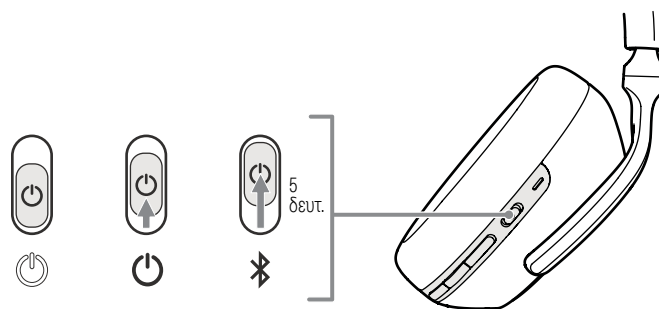
Λειτουργία	Ενέργεια
Αναπαραγωγή ή παύση	Πατήστε μία φορά το κουμπί πολλαπλών λειτουργιών.
Αναπαραγωγή επόμενου κομματιού	Πατήστε γρήγορα δύο φορές το κουμπί πολλαπλών λειτουργιών. <i>Σημείωση: Η λειτουργικότητα εξαρτάται από τη συσκευή πηγής.</i>
Αναπαραγωγή προηγούμενου κομματιού	Πατήστε γρήγορα τρεις φορές το κουμπί πολλαπλών λειτουργιών. <i>Σημείωση: Η λειτουργικότητα εξαρτάται από τη συσκευή πηγής.</i>
Αύξηση έντασης ήχου	Πατήστε το κουμπί έντασης ήχου +.
Μείωση έντασης ήχου	Πατήστε το κουμπί έντασης ήχου -.

Τα παρακάτω κουμπιά στο δεξί ακουστικό χρησιμοποιούνται για τη λειτουργικότητα τηλεφωνικής κλήσης:

Λειτουργία	Ενέργεια
Απάντηση ή τερματισμός κλήσης	Πατήστε μία φορά το κουμπί πολλαπλών λειτουργιών.
Απάντηση σε εισερχόμενη κλήση	Όταν λαμβάνετε μια εισερχόμενη κλήση, πατήστε μία φορά το κουμπί πολλαπλών λειτουργιών.
Απόρριψη εισερχόμενης κλήσης	Όταν λαμβάνετε μια εισερχόμενη κλήση, κρατήστε πατημένο το κουμπί πολλαπλών λειτουργιών για 2 δευτερόλεπτα.
Εναλλαγή μεταξύ δύο κλήσεων	Με δύο κλήσεις ενεργές, πατήστε δύο φορές το κουμπί πολλαπλών λειτουργιών.
Συγχώνευση δύο κλήσεων	Με δύο κλήσεις ενεργές, κρατήστε πατημένο το κουμπί πολλαπλών λειτουργιών για 1 δευτερόλεπτο.
Ενεργοποίηση/ απενεργοποίηση σίγασης	Κατά τη διάρκεια μιας κλήσης, πατήστε τρεις φορές το κουμπί πολλαπλών λειτουργιών.

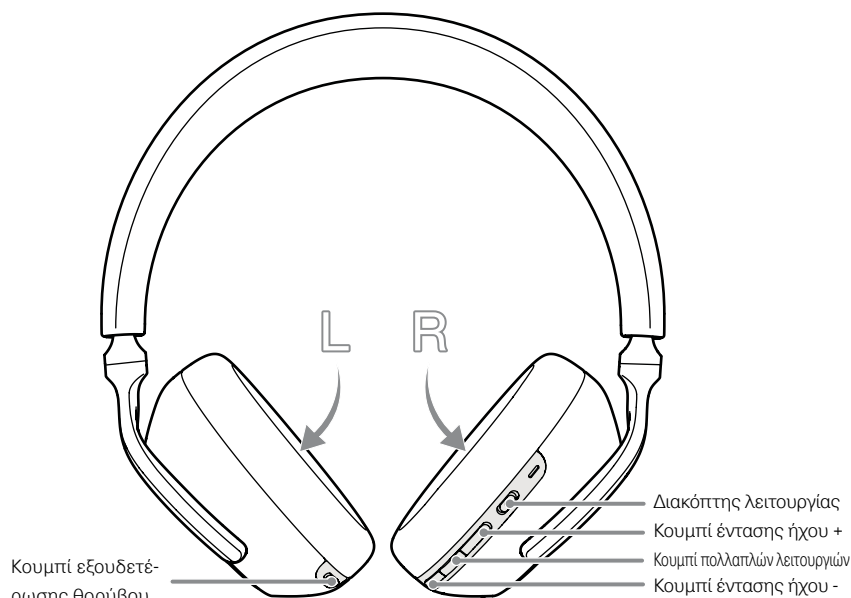
### 2.3 Ενδεικτική λυχνία κατάστασης

Η ενδεικτική λυχνία LED κατάστασης βρίσκεται στο δεξί ακουστικό. Το διάγραμμα 3 επεξηγεί τις καταστάσεις φωτισμού.



Διάγραμμα 1

Λειτουργικότητα διακόπτη λειτουργίας



Διάγραμμα 2

Χειριστήρια ακουστικών

Φωτισμός	Κατάσταση λειτουργίας
Λευκό χρώμα	Φόρτιση μπαταρίας > 30%
Πορτοκαλί χρώμα	Φόρτιση μπαταρίας μεταξύ 30% και 10%
Κόκκινο χρώμα	Φόρτιση μπαταρίας < 10%
Αναβοσβήνει με κόκκινο χρώμα	Φόρτιση μπαταρίας ανεπαρκής για τη λειτουργία των ακουστικών
Αναβοσβήνει με μπλε χρώμα	Λειτουργία σύζευξης ενεργοποιημένη
Μπλε χρώμα (ανάβει σταθερά για 2 δευτ.)	Επιτυχής σύζευξη
Αναβοσβήνει με μπλε χρώμα (κλήσεις)	Εισερχόμενη κλήση
Αναβοσβήνει με πράσινο χρώμα	Γρήγορη φόρτιση
Ανάβει σταθερά με πράσινο χρώμα	Πλήρως φορτισμένη μπαταρία, αργή φόρτιση

Διάγραμμα 3

Φωτισμός ενδεικτικής λυχνίας κατάστασης

### 3. Έξυπνες δυνατότητες

#### 3.1 Προσαρμοστική εξουδετέρωση θορύβου

Η εξουδετέρωση θορύβου είναι μια σειρά εξελιγμένων τεχνολογιών που βοηθούν στην εξάλειψη ανεπιθύμητου θορύβου από το περιβάλλον.

Τα PX7 διαθέτουν τις τελευταίες μας καινοτομίες στην προσαρμοστική εξουδετέρωση θορύβου, οι οποίες περιλαμβάνουν έξυπνη ανίχνευση που προσαρμόζει την εξουδετέρωση θορύβου στις ρυθμίσεις που είναι καλύτερες για το περιβάλλον σας. Καθώς το περιβάλλον σας αλλάζει, η εξουδετέρωση θορύβου προσαρμόζεται αυτόματα ώστε να ταιριάζει καλύτερα στο νέο περιβάλλον σας.

Το κουμπί εξουδετέρωσης θορύβου στο αριστερό ακουστικό χρησιμοποιείται για εναλλαγή μεταξύ των παρακάτω λειτουργιών. Ανατρέξτε στο διάγραμμα 2 για τη θέση του κουμπιού.

Λειτουργία	Εφαρμογή
Υψηλή	Κατάλληλη για περιβάλλοντα με συνεχή θόρυβο, όπως τον χώρο επιβατών ενός αεροσκάφους.
Χαμηλή	Κατάλληλη για περιβάλλοντα στα οποία χρειάζεται να έχετε συναίσθηση του περιβάλλοντός σας.
Αυτόματη	Προσαρμόζει έξυπνα την εξουδετέρωση θορύβου στις ρυθμίσεις που είναι καλύτερες για το τρέχον περιβάλλον σας.
Ανενεργή	Απενεργοποιεί τη δυνατότητα εξουδετέρωσης θορύβου.

#### 3.2 Διέλευση ήχου περιβάλλοντος

Τα PX7 διαθέτουν τη δυνατότητα διέλευσης ήχου περιβάλλοντος, η οποία επιτρέπει να ακούγονται ορισμένοι εξωτερικοί θόρυβοι από το περιβάλλον, όπως οι ανακοινώσεις ασφαλείας ή οι συζητήσεις, χωρίς να αφαιρεθούν τα ακουστικά.

Το κουμπί εξουδετέρωσης θορύβου στο αριστερό ακουστικό ελέγχει επίσης αυτή τη δυνατότητα. Ανατρέξτε στο διάγραμμα 2 για τη θέση του κουμπιού.

Λειτουργία	Ενέργεια
Ενεργοποίηση διέλευσης ήχου περιβάλλοντος	Πατήστε και κρατήστε πατημένο το κουμπί εξουδετέρωσης θορύβου για 2 δευτερόλεπτα.
Απενεργοποίηση διέλευσης ήχου περιβάλλοντος	Με τη διέλευση ήχου περιβάλλοντος ενεργοποιημένη, κρατήστε πατημένο ή πατήστε μία φορά το κουμπί εξουδετέρωσης θορύβου για 2 δευτερόλεπτα. Τα ακουστικά θα επανέλθουν στην προηγούμενη λειτουργία εξουδετέρωσης θορύβου.

Η στάθμη της διέλευσης ήχου περιβάλλοντος μπορεί να προσαρμοστεί περαιτέρω σύμφωνα με τις ανάγκες σας χρησιμοποιώντας την εφαρμογή Bowers & Wilkins Headphones.

### 3.3 Αισθητήρες χρήσης

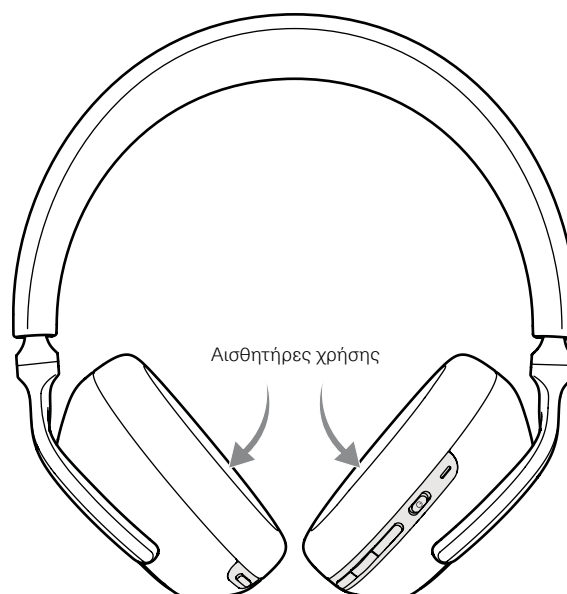
Τα PX7 ενσωματώνουν τους τελευταίους μας βελτιωμένους αισθητήρες ανίχνευσης χρήσης και στα δύο ακουστικά, ανατρέξτε στο διάγραμμα 4, οι οποίοι επιτρέπουν έξυπνη εξοικονόμηση μπαταρίας με τη μετάβαση των ακουστικών σε κατάσταση αναμονής όταν αφαιρούνται από το κεφάλι. Όταν τα φοράτε ξανά, τα PX7 επανενεργοποιούνται αυτόματα και συνδέονται με τη συσκευή Bluetooth που συνδέθηκε τελευταία.

Κατά την αναπαραγωγή πολυμέσων, τα PX7 την παύουν αυτόματα όταν ένα από τα ακουστικά ανασηκώνεται από το αυτί. Η αναπαραγωγή θα συνεχιστεί αυτόματα όταν το ακουστικό τοποθετηθεί ξανά στο αυτί. Η αυτόματη συνέχιση αναπαραγωγής έχει βελτιστοποιηθεί περαιτέρω, έτσι ώστε να είναι έτοιμη μόνο όταν είστε και εσείς. Αυτό σημαίνει ότι τα ακουστικά δεν θα επιχειρήσουν να συνεχίσουν την αναπαραγωγή στις παρακάτω περιπτώσεις:

1. Ενεργοποίηση των ακουστικών από την κατάσταση απενεργοποίησης.
2. Επανενεργοποίηση των ακουστικών από την κατάσταση αναμονής.
3. Επανεκκίνηση των ακουστικών (για παράδειγμα, μετά από επαναφορά εργοστασιακών ρυθμίσεων).

Η ανίχνευση χρήσης και η μετάβαση σε κατάσταση αναμονής μπορούν να προσαρμοστούν χρησιμοποιώντας την εφαρμογή Bowers & Wilkins Headphones.

*Σημείωση: Προσέχετε όταν φοράτε τα ακουστικά σας: αν παγιδευτούν μαλλιά ή αξεσουάρ ανάμεσα στα αυτιά σας και τα ακουστικά ή αν φορέσετε γυαλιά που παραμορφώνουν το προφίλ των αυτιών σας, ενδέχεται να επηρεαστεί η απόδοση των αισθητήρων εγγύτητας.*



Διάγραμμα 4  
Θέση αισθητήρα χρήσης

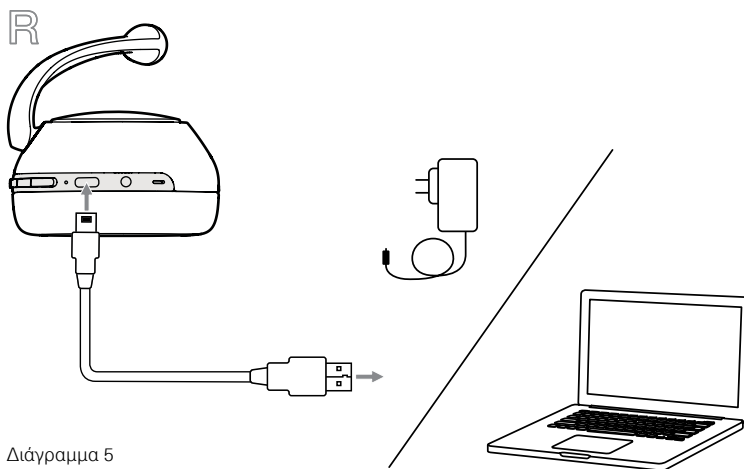
## 4. Φόρτιση μπαταρίας και εξοικονόμηση ενέργειας

Τα ακουστικά PX7 παρέχονται με την μπαταρία μερικώς φορτισμένη και μπορούν να χρησιμοποιηθούν αμέσως. Ως βέλτιστη πρακτική, συνιστούμε να φορτίσετε πλήρως τα ακουστικά πριν από την πρώτη χρήση. Για να επιτευχθεί πλήρης φόρτιση, μπορεί να χρειαστούν έως και 3 ώρες. Τα ακουστικά μπορούν να χρησιμοποιηθούν ενώ φορτίζονται.

Για να τα φορτίσετε:

1. Χρησιμοποιήστε το παρεχόμενο καλώδιο φόρτισης και συνδέστε το βύσμα USB-A σε έναν φορτιστή τοίχου ή σε μια ρευματοφόρο υποδοχή USB-A υπολογιστή.
2. Στη συνέχεια, συνδέστε το άκρο USB-C στην υποδοχή USB-C των ακουστικών.

*Σημείωση: Κατά τη φόρτιση, η ενδεικτική λυχνία των ακουστικών αναβοσβήνει με πράσινο χρώμα. Όταν φορτιστούν πλήρως, η ενδεικτική λυχνία παραμένει αναμμένη. Ανατρέξτε στο διάγραμμα 3 για λεπτομέρειες σχετικά με την ενδεικτική λυχνία κατάστασης.*



Διάγραμμα 5  
Σύνδεση καλωδίου USB-C

### 4.1 Εξοικονόμηση ενέργειας σε κατάσταση αναμονής

Οι αισθητήρες ανίχνευσης χρήσης των ακουστικών PX7 εξοικονομούν έξυπνα ενέργεια. Όταν τα αφαιρείτε από το κεφάλι σας, τα PX7 εισέρχονται αυτόματα στην κατάσταση αναμονής, γεγονός που προκαλεί την παύση της αναπαραγωγής πολυμέσων, τη διακοπή της σύνδεσης Bluetooth και τη μετάβαση σε κατάσταση χαμηλής κατανάλωσης ενέργειας.

Όταν τα φοράτε ξανά, τα PX7 επανενεργοποιούνται και επανασυνδέονται με την πηγή Bluetooth που συνδέθηκε τελευταία. Έχετε υπόψη σας ότι και τα δύο ακουστικά πρέπει να ανιχνεύσουν τη χρήση για σωστή λειτουργικότητα. Αν οι αισθητήρες χρήσης απενεργοποιηθούν χρησιμοποιώντας την εφαρμογή, θα απενεργοποιηθεί και αυτή η δυνατότητα.

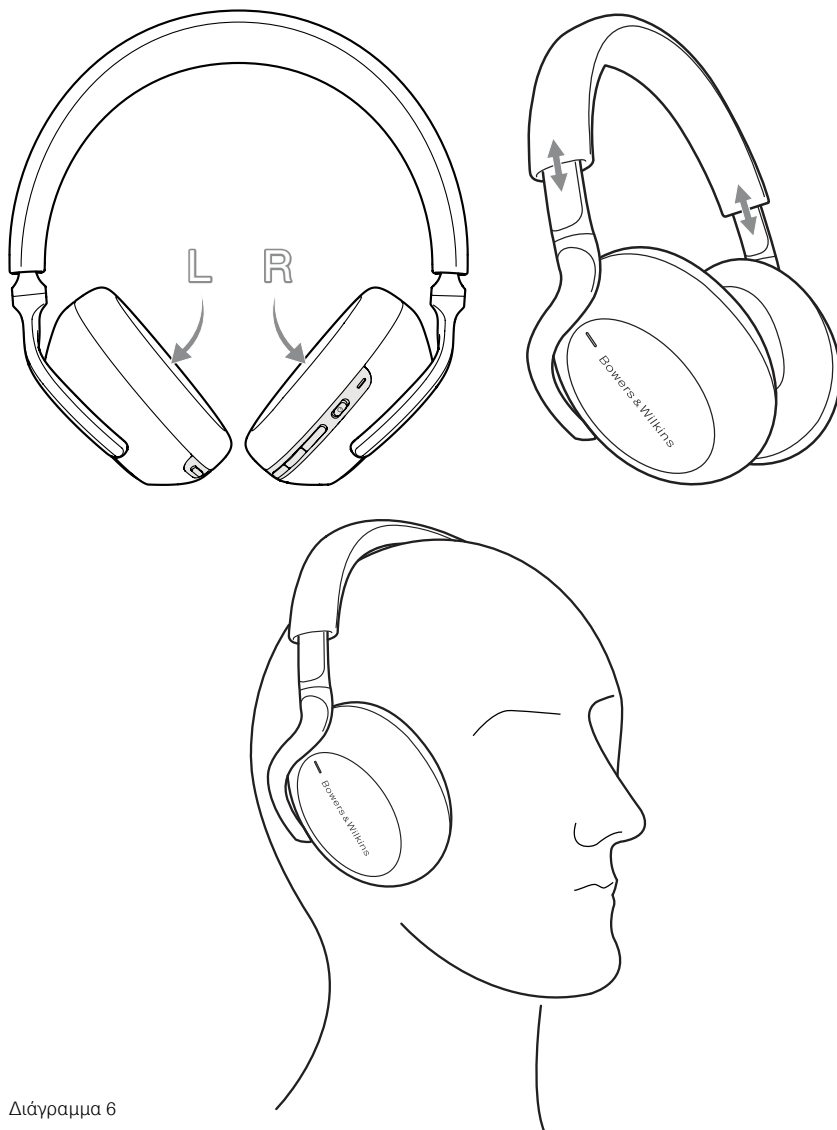
Με την εφαρμογή, μπορείτε να προσαρμόσετε τον χρόνο αναμονής των ακουστικών πριν από την αυτόματη μετάβαση σε κατάσταση αναμονής. Δείτε την επιλογή Standby Timer (Χρονοδιακόπτης αναμονής) στις ρυθμίσεις της εφαρμογής.

## 5. Χρήση των ακουστικών σας

Η σωστή χρήση των ακουστικών σας θα διασφαλίσει ότι θα έχετε την καλύτερη δυνατή εμπειρία. Ανατρέξτε στο διάγραμμα 6.

1. Προσδιορίστε ποιο είναι το αριστερό και ποιο το δεξί ακουστικό, εντοπίζοντας τις λεζάντες αναγνώρισης που βρίσκονται στο εσωτερικό μέρος κάθε ακουστικού.
2. Φορέστε αναλόγως τα ακουστικά, με το τμήμα κεφαλής προσαρμοσμένο έτσι ώστε να ακουμπά άνετα στο κεφάλι σας.

*Σημείωση: Αν φοράτε γυαλιά που παραμορφώνουν το προφίλ των αυτιών σας, ενδέχεται να επηρεαστεί η απόδοση των ακουστικών. Παρομοίως, αν παγιδευτούν μαλλιά ανάμεσα στα αυτιά σας και τα ακουστικά, ενδέχεται να επηρεαστεί η απόδοση των αισθητήρων χρήσης.*



Διάγραμμα 6  
Χρήση των ακουστικών σας

## 6. Σύνδεση Bluetooth

### 6.1 Σύζευξη

Τα PX7 είναι σχεδιασμένα για ασύρματη ροή ήχου από συσκευές ήχου Bluetooth, όπως smartphone, tablet ή προσωπικούς υπολογιστές. Για να γίνει αυτό, τα ακουστικά και η συσκευή (πηγής) πρέπει πρώτα να συζευχθούν.

1. Την πρώτη φορά που θα ενεργοποιήσετε τα ακουστικά σας, θα ενεργοποιηθεί η λειτουργία σύζευξης Bluetooth και η ενδεικτική λυχνία θα αναβοσβήνει με μπλε χρώμα. Αν η λειτουργία σύζευξης δεν ενεργοποιηθεί, σύρετε και συγκρατήστε τον διακόπτη λειτουργίας στην επάνω θέση (εικονίδιο Bluetooth) για 5 δευτερόλεπτα, αφήστε τον όταν η ενδεικτική λυχνία αναβοσβήνει με μπλε χρώμα και όταν ακουστεί ένα ηχητικό σήμα.
2. Βεβαιωθείτε ότι η δυνατότητα Bluetooth είναι ενεργοποιημένη στη συσκευή ήχου. Τα PX7 θα εμφανιστούν στη λίστα εντοπισμού, επιλέξτε τα για να πραγματοποιηθεί σύζευξη.
3. Η ενδεικτική λυχνία θα αναβοσβήνει με μπλε χρώμα ενώ η σύζευξη βρίσκεται σε εξέλιξη. Θα παραμείνει σταθερά αναμμένη με μπλε χρώμα και θα ακουστεί ένα ηχητικό σήμα όταν η σύζευξη είναι επιτυχής.

Τα ακουστικά σας θα απομνημονεύσουν έως και οχτώ συζευγμένες συσκευές Bluetooth. Επαναλάβετε τα παραπάνω βήματα για να συζευξείτε περισσότερες συσκευές.

*Σημείωση: Αν δεν συζευχθεί καμία συσκευή μέσα σε 5 λεπτά, τα ακουστικά σας θα εξέλθουν αυτόματα από τη λειτουργία σύζευξης Bluetooth. Αν η σύζευξη αποτύχει, η ενδεικτική λυχνία θα αναβοσβήνει γρήγορα με μπλε χρώμα. Προσπαθήστε ξανά να πραγματοποιήσετε σύζευξη.*

### 6.2 Πολλαπλές συνδέσεις Bluetooth

Τα PX7 μπορούν να συνδεθούν με έως και δύο συσκευές ταυτόχρονα, αλλά έχετε υπόψη ότι μπορείτε να αναπαράγετε ήχο ή να λαμβάνετε κλήσεις από μόνο μία συσκευή κάθε φορά.

Για να εναλλάξετε μεταξύ δύο συσκευών:

1. Πραγματοποιήστε παύση του ήχου στην πρώτη συσκευή ή χρησιμοποιήστε το κουμπί πολλαπλών λειτουργιών των PX7.
2. Αναπαράγετε ήχο από τη δεύτερη συσκευή και τα ακουστικά θα αλλάξουν πηγή.

Όταν αναπαράγεται ροή ήχου, η λήψη μιας κλήσης στη δεύτερη συσκευή προκαλεί αυτόματη παύση της αναπαραγωγής και η κλήση μεταφέρεται αυτόματα στα ακουστικά σας. Ο τερματισμός της κλήσης προκαλεί αυτόματη συνέχιση της αναπαραγωγής από την πρώτη συσκευή.

### 6.3 Αποσύνδεση από συσκευή

Μπορείτε να αποσυνδέσετε γρήγορα τα PX7 από μια συσκευή, σύροντας γρήγορα δύο φορές τον διακόπτη λειτουργίας στην επάνω θέση (εικονίδιο Bluetooth). Θα ακουστεί ένα ηχητικό σήμα που υποδεικνύει την επιτυχή αποσύνδεση.

Εναλλακτικά, μπορείτε να διαχειριστείτε τη σύνδεση με περισσότερες λεπτομέρειες χρησιμοποιώντας την επιλογή Connections (Συνδέσεις) στην εφαρμογή Bowers & Wilkins Headphones.

## 6.4 Ρύθμιση των ακουστικών με την εφαρμογή

Η εφαρμογή Bowers & Wilkins Headphones παρέχει εκτεταμένες λειτουργίες ρύθμισης για δυνατότητες όπως οι Adaptive Noise Cancellation (Προσαρμοστική εξουδετέρωση θορύβου), Ambient Pass-Through (Διέλευση ήχου περιβάλλοντος) και Wear Sensing (Ανίχνευση χρήσης). Η εφαρμογή παρέχει επίσης επιπλέον επιλογές προσαρμογής, όπως φωνητικές προτροπές, χρόνος αναμονής, διαχείριση συνδέσεων και ενημερώσεις λογισμικού ακουστικών. Η εφαρμογή είναι διαθέσιμη για δωρεάν λήψη σε συσκευές με λειτουργικό σύστημα iOS και Android.

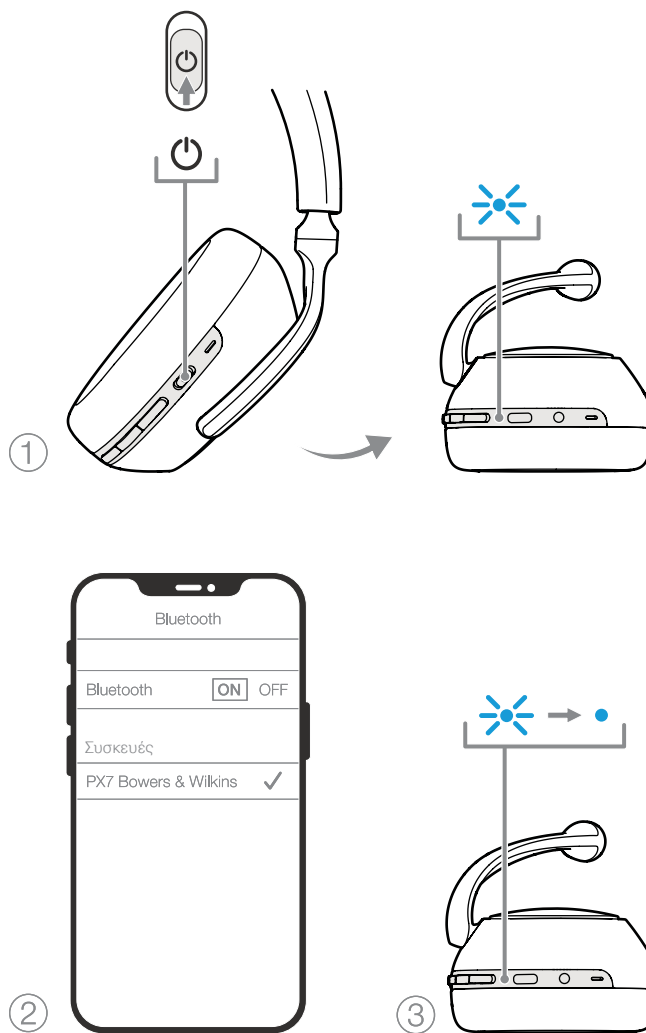
Για να προσθέσετε τα ακουστικά σας:

1. Από τη φορητή συσκευή σας, κάντε λήψη και εγκατάσταση της εφαρμογής Bowers & Wilkins Headphones.
2. Εκκινήστε την εφαρμογή και, στη συνέχεια, διαβάστε και ακολουθήστε τις οδηγίες που αφορούν τις ειδοποιήσεις και τα δικαιώματα της εφαρμογής.
3. Αφού φτάσετε στην κύρια οθόνη, απλά πατήστε το + και ακολουθήστε τις οδηγίες που εμφανίζονται στην εφαρμογή.

## 6.5 Ενημερώσεις λογισμικού ακουστικών

Κατά καιρούς, η Bowers & Wilkins θα καθιστά διαθέσιμες ενημερώσεις λογισμικού που αναβαθμίζουν και βελτιστοποιούν την απόδοση των ακουστικών σας ή προσθέτουν νέες δυνατότητες.

Η εφαρμογή Bowers & Wilkins Headphones θα σας ειδοποιεί όταν είναι διαθέσιμη μια ενημέρωση λογισμικού. Πατήστε στην ειδοποίηση και ακολουθήστε τις οδηγίες που εμφανίζονται στην εφαρμογή.



Διάγραμμα 7  
Σύζευξη Bluetooth



## 7. Βοηθητική σύνδεση

Εκτός από τη σύνδεση Bluetooth, τα ακουστικά PX7 μπορούν επίσης να συνδεθούν σε πηγές ήχου χρησιμοποιώντας τα παρεχόμενα καλώδια ήχου 3,5 mm και USB.

### 7.1 Σύνδεση με το καλώδιο ήχου 3,5 mm

Το καλώδιο ήχου 3,5 mm επιτρέπει τη χρήση των ακουστικών PX7 με μια συσκευή που υποστηρίζει αναλογική έξοδο, όπως μια συμβατική υποδοχή ακουστικών σε smartphone ή tablet ή ένα παραδοσιακό σύστημα hi-fi. Ανατρέξτε στο διάγραμμα 8.

1. Εισαγάγετε το καλώδιο ήχου 3,5 mm στην υποδοχή ακουστικών 3,5 mm στο δεξιό ακουστικό.
2. Πιάστε το άλλο άκρο και εισαγάγετέ το στην κατάλληλη υποδοχή της συσκευής σας.
3. Τα ακουστικά PX7 θα αποσυνδεθούν αυτόματα από οποιοσδήποτε συσκευές Bluetooth.

*Σημείωση: Τα ακουστικά σας πρέπει να διαθέτουν επαρκή φόρτιση και να είναι ενεργοποιημένα για να αναπαράγουν ήχο από μια αναλογική συσκευή πηγής. Τα κουμπιά έντασης ήχου και αναπαραγωγής/παύσης δεν θα λειτουργούν όταν χρησιμοποιείται η διεπαφή ήχου 3,5 mm.*

### 7.2 Σύνδεση με το καλώδιο USB

Η σύνδεση USB επιτρέπει στα ακουστικά PX7 να λειτουργούν ως συσκευή εξόδου ήχου USB, όταν είναι συνδεδεμένα σε έναν κατάλληλο υπολογιστή.

1. Εισαγάγετε το άκρο USB-C στην υποδοχή USB-C των ακουστικών PX7, στο δεξιό ακουστικό.
2. Πιάστε το άκρο USB τύπου A και εισαγάγετέ το στην κατάλληλη υποδοχή του υπολογιστή σας.
3. Τα PX7 θα αποσυνδεθούν αυτόματα από οποιοσδήποτε συσκευές Bluetooth.
4. Βρείτε και επιλέξτε τα ακουστικά σας από τον πίνακα ελέγχου εξόδου ήχου του υπολογιστή.

*Σημείωση: Όταν είναι συνδεδεμένα σε μια κατάλληλη θύρα USB υπολογιστή, φορτίζεται επίσης η μπαταρία των ακουστικών.*

## 8. Επανεκκίνηση και επαναφορά

### 8.1 Επανεκκίνηση

Μπορείτε να επανεκκινήσετε τα ακουστικά PX7. Κρατήστε ταυτόχρονα πατημένα τα κουμπιά έντασης ήχου + και έντασης ήχου - για 10 δευτερόλεπτα μέχρι να σβήσει η ενδεικτική λυχνία LED, αφήστε τα όταν ανάψει ξανά η ενδεικτική λυχνία. Η επανεκκίνηση των ακουστικών σας δεν θα επαναφέρει τις εσωτερικές ρυθμίσεις τους και δεν θα απαλείψει το ιστορικό συζευγμένων συσκευών.

### 8.2 Επαναφορά στις προεπιλογές

Μπορείτε να απαλείψετε το ιστορικό συζευγμένων συσκευών και να επαναφέρετε όλες τις ρυθμίσεις στις προεπιλογές τους. Με τα PX7 ενεργοποιημένα, κρατήστε ταυτόχρονα πατημένα τα κουμπιά έντασης ήχου +, έντασης ήχου - και εξουδετέρωσης θορύβου για 10 δευτερόλεπτα μέχρι να σβήσει η ενδεικτική λυχνία LED, αφήστε τα όταν ανάψει ξανά η ενδεικτική λυχνία. Τα ακουστικά θα είναι έτοιμα να συζευχθούν με μια συσκευή. Εναλλακτικά, μπορείτε να τα επαναφέρετε από την εφαρμογή Bowers & Wilkins Headphones. Δείτε την επιλογή Reset (Επαναφορά) στις ρυθμίσεις της εφαρμογής.

## 9. Φροντίδα και συντήρηση

### 9.1 Φύλαξη των ακουστικών PX7

Η φροντίδα των ακουστικών PX7 θα διασφαλίσει ότι εξακολουθούν να παρέχουν την καλύτερη δυνατή απόδοση και εμπειρία.

Όταν δεν τα χρησιμοποιείτε, φυλάξτε τα ακουστικά σας χρησιμοποιώντας την παρεχόμενη θήκη φύλαξης. Συνιστούμε να απενεργοποιείτε πρώτα τα ακουστικά:

1. Ανασύρετε τις δύο πλευρές του τμήματος κεφαλής, έτσι ώστε να βρίσκονται στην πιο συμπτυγμένη θέση.
2. Με τα κουμπιά στραμμένα προς το μέρος σας, περιστρέψτε τα ακουστικά προς τα μέσα ώστε να βρίσκονται σε οριζόντια θέση.
3. Τοποθετήστε τα ακουστικά μέσα στη θήκη φύλαξης.

## 9.2 Καθαρισμός των ακουστικών PX7

Τα ακουστικά PX7 μπορούν να καθαριστούν με ένα μαλακό και υγρό πανί μικροϊνών. Σκουπίστε τα απαλά για να τα καθαρίσετε.

Το ύφασμα στα PX7 έχει ειδική επικάλυψη για προστασία από την υγρασία και τους λεκέδες. Αν συσσωρευτούν ρύποι, λεκέδες ή υπολείμματα ινών στην επιφάνεια του υφάσματος, καθαρίστε την όπως υποδεικνύεται παρακάτω.

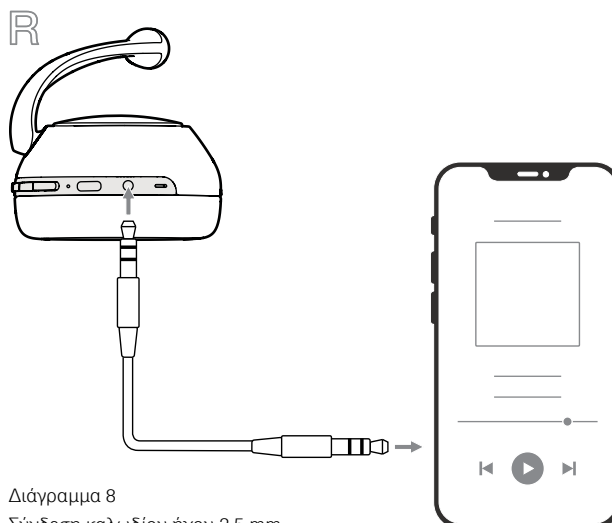
- ΜΗΝ τρίβετε με δύναμη και μη χρησιμοποιείτε ένα λειαντικό εργαλείο για τον καθαρισμό, ειδικά του υφάσματος.
- ΜΗ χρησιμοποιείτε χαρτοπετσέτες, πετσέτες φαγητού ή χαρτομάντιλα, καθώς θα αφήσουν υπολείμματα.
- ΜΗ χρησιμοποιείτε απορρυπαντικά καθαρισμού, σαπουνόνερο, βερνίκι ή χημικά καθαριστικά.
- Βεβαιωθείτε ότι δεν εισέρχεται υγρασία στα ακουστικά, τα κουμπιά και τις θύρες διεπαφής.

## 10. Υποστήριξη

Αν χρειαστείτε περισσότερη βοήθεια ή συμβουλές σχετικά με τα ακουστικά PX7, επισκεφτείτε την τοποθεσία υποστήριξης για ακουστικά εδώ: [www.bowerswilkins.com/support](http://www.bowerswilkins.com/support).

### Πληροφορίες σχετικά με το περιβάλλον

Αυτό το προϊόν πληροί τις διεθνείς οδηγίες, στις οποίες συγκαταλέγονται, χωρίς περιορισμούς, η οδηγία Restriction of Hazardous Substances (RoHS - Περιορισμός στη χρήση επικίνδυνων ουσιών) για ηλεκτρικό και ηλεκτρονικό εξοπλισμό, η οδηγία Registration, Evaluation, Authorisation and restriction of Chemicals (REACH - Καταχώριση, αξιολόγηση, αδειοδότηση και περιορισμοί των χημικών προϊόντων) και η οδηγία σχετικά με την απόρριψη Waste Electrical and Electronic Equipment (WEEE - Απόβλητα ηλεκτρικού και ηλεκτρονικού εξοπλισμού). Συμβουλευτείτε την τοπική αρχή απόρριψης αποβλήτων για οδηγίες σχετικά με τους τρόπους σωστής ανακύκλωσης ή απόρριψης αυτού του προϊόντος.



Διάγραμμα 8  
Σύνδεση καλωδίου ήχου 3,5 mm



## Προδιαγραφές

Τρόπος χρήσης	Ασύρματα ακουστικά κεφαλής Bluetooth
Τεχνικά χαρακτηριστικά	Προσαρμοστική εξουδετέρωση θορύβου Διέλευση ήχου περιβάλλοντος Αισθητήρας ανίχνευσης χρήσης Ήχος Bluetooth® - Bluetooth 5.0 με aptX™ Adaptive Διεπαφή φόρτισης και ήχου USB-C Βοηθητική διεπαφή ήχου 3,5 mm
Codec για Bluetooth	aptX™ Adaptive aptX™ HD aptX™ Classic AAC SBC
Προφίλ Bluetooth	A2DP v1.3.1 AVRCP v1.6.1 HFP v1.7.1 HSP v1.2 BLE GATT (Generic Attribute Profile)
Μονάδες οδήγησης	2 x ø 43,6 mm πλήρους εύρους
Μικρόφωνα	4 μικρόφωνα για ANC 2 μικρόφωνα για τηλεφωνία (CVC2 – Clear Voice Communication v2)
Εύρος συχνοτήτων	10 Hz έως 30 kHz
Σύνθετη αντίσταση εισόδου	20 kOhm
Παραμόρφωση (THD)	< 0,3% (1 kHz/10 mW)
Τύπος μπαταρίας	Επαναφορτιζόμενη λιθίου-πολυμερούς
Διάρκεια και φόρτιση μπαταρίας	30 ώρες Bluetooth με ANC, 5 ώρες με φόρτιση 15 λεπτών
Είσοδοι	Bluetooth, στερεοφωνική υποδοχή 3,5 mm, ήχου USB-C
Εξαρτήματα στη συσκευασία	Στερεοφωνικό καλώδιο ήχου μήκους 1,2 m, καλώδιο USB-A προς USB-C μήκους 1,2 m, θήκη φύλαξης
Βάρος	310 γραμμάρια

## Vítejte u Bowers & Wilkins s PX7

Děkujeme Vám, že jste si zvolili značku Bowers & Wilkins. Když John Bowers zakládal naši firmu, věřil, že nápadité provedení, novátorský přístup a pokročilé technologie jsou klíčem otevírajícím dveře kvalitní domácí reprodukci. Touto filozofií se dodnes inspirujeme při vývoji všech našich produktů, včetně těch, které jsou určeny i k poslechu mimo domov.

Bowers & Wilkins PX7 jsou špičková sluchátka dosedající kolem uší, umožňující vychutnávat si zvuk ve vysoké kvalitě a díky technologiím pro bezdrátový provoz i potlačení okolního hluku nabízejí skvělý komfort. Tento manuál vám poskytne všechny informace potřebné k tomu, abyste ze sluchátek PX7 vytěžili maximum.

Sluchátka PX7 lze využít pro přehrávání hudby, bezdrátově streamované z vašeho mobilního telefonu, tabletu či počítače, nebo je můžete připojit klasicky po kabelu do patřičného sluchátkového výstupu. Sluchátka PX7 mohou být také k vašemu počítači pro přehrávání hudby připojena po USB a lze je využít i pro bezdrátové telefonování.

Technologie Real World Listening zahrnuje u sluchátek PX7 funkce Adaptive Environment Noise Cancellation (adaptivní potlačení okolního hluku), Ambient Pass-through (průchod zvuků z vnějšku – např. hlasu) a Wear Sensing (senzor nasazení sluchátek). Poslední generace našeho systému pro potlačení okolního hluku, která nyní umožňuje inteligentní automatickou volbu způsobu potlačení hluku v závislosti na aktuálním okolním prostředí, byla od základu přepracována pro dosažení nekompromisního zvukového zážitku. Funkce Ambient Pass-Through zase umožňuje, aby uživatel mohl bez sundání sluchátek slyšet např. konverzaci či různá bezpečnostní varování. Funkce Wear Sensing automaticky přerušuje reprodukci při nadzvednutí kterékoli sluchátkové mušle a zase spustí reprodukci po nasazení sluchátek na hlavu. Citlivost senzorů této funkce lze přizpůsobit přes aplikaci Bowers & Wilkins Headphone, která je zdarma dostupná jak pro iOS, tak pro Android zařízení.

Sluchátka PX7 jsou vybavena dobíjecím akumulátorem. Při plném dobití je možné docílit až 30h dobu provozu při průměrné hlasitosti, záleží však také na stupni použití funkcí Bluetooth, Noise Cancellation a Ambient Pass-Through.

## 1. Balení sluchátek PX7 obsahuje

Bezdrátová sluchátka PX7  
Úložné pouzdro  
USB-C kabel pro nabíjení  
Audio kabel s 3,5mm konektorem  
Bálik dokumentů

## 2. Seznámení se sluchátky PX7

### 2.1 Zapnutí a vypnutí sluchátek

Obrázek 1 znázorňuje funkce zapínacího tlačítka.

#### Zapnutí

Spínač pro zapnutí/vypnutí (Power) je umístěn na pravém sluchátku. Pro zapnutí sluchátek PX7 posuňte přepínač Power do prostřední pozice. Ozve se signalizační tón a LED kontrolka začne svítit zeleně, jantarově či červeně, podle stavu nabití akumulátoru.

#### Vypnutí

Pro vypnutí sluchátek PX7 posuňte přepínač Power do spodní pozice. Ozve se signalizační tón, LED kontrolka zhasne a sluchátka budou vypnuta.

### 2.2 Ovládací prvky

Obrázek 2 popisuje ovládací prvky sluchátek. Níže uvedená tlačítka na pravém sluchátku mohou být použita pro ovládání přehrávání:

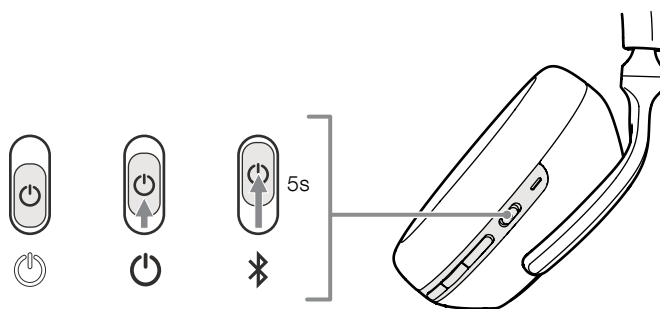
Funkce	Akce
Spuštění přehrávání / pauza	Stiskněte Multifunkční tlačítko jednou.
Přeskočení na další skladbu	Stiskněte Multifunkční tlačítko dvakrát krátce za sebou. <i>Poznámka: Funkčnost závisí na zdrojovém zařízení.</i>
Přeskočení na předchozí skladbu	Stiskněte Multifunkční tlačítko třikrát krátce za sebou. <i>Poznámka: Funkčnost závisí na zdrojovém zařízení.</i>
Zvýšení hlasitosti	Stiskněte tlačítko Volume +.
Snížení hlasitosti	Stiskněte tlačítko Volume -.

Níže uvedená tlačítka lze používat pro různé funkce při telefonování:

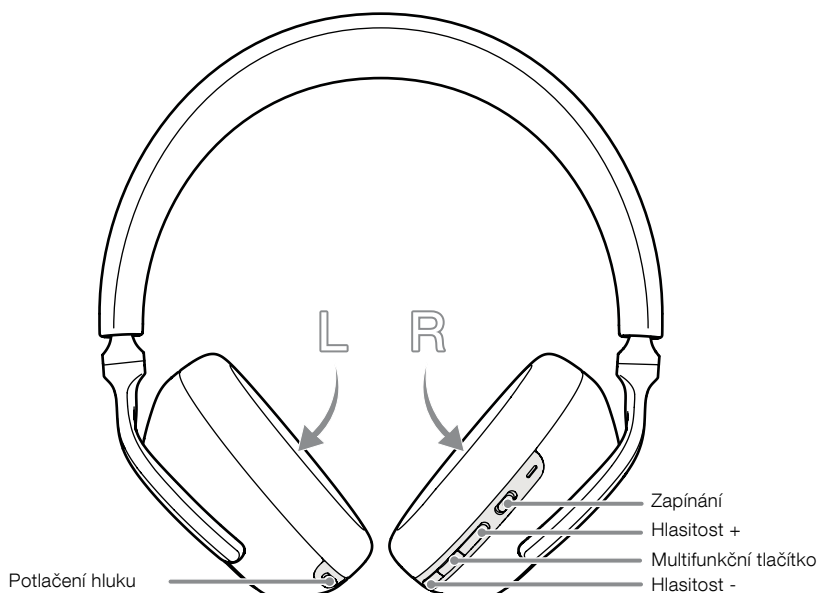
Funkce	Akce
Příjem či ukončení hovoru	Stiskněte jednou multifunkční tlačítko.
Příjem příchozího hovoru	Při příchozím hovoru stiskněte jednou multifunkční tlačítko.
Odmítnutí příchozího hovoru	Při příchozím hovoru stiskněte na 2 vteřiny multifunkční tlačítko.
Přepínání mezi dvěma hovory	Jsou-li aktivní dva hovory, stiskněte dvakrát multifunkční tlačítko.
Sloučení dvou hovorů	Jsou-li aktivní dva hovory, podržte na 1 vteřinu stisknuté multifunkční tlačítko.
Přepínání MUTE	Během hovoru stiskněte třikrát multifunkční tlačítko.

### 2.3 Stavy LED kontrolky

LED kontrolka se nachází na pravém sluchátku a její stavy vysvětluje obrázek 3.



Obrázek 1  
Funkce zapínacího přepínače



Obrázek 2  
Ovládací prvky

Stav svícení	Význam
Bílá	Stav nabití > 30%
Jantarová	Stav nabití mezi 30% až 10%
Červená	Stav nabití < 10%
Červeně bliká	Stav nabití nedostatečný pro funkci
Modře bliká	Režim párování
Modrá (2 vteřiny stálá)	Úspěšné spárování
Červeně bliká (volání)	Příchozí hovor
Zeleně bliká	Rychlonabíjení
Zelná stálá	Plně nabití při zapojeném dobíjení

Obrázek 3  
Stavy LED kontrolky

### 3. Inteligentní funkce

#### 3.1 Adaptive Noise Cancellation (adaptivní potlačení hluku)

Potlačení hluku zahrnuje řadu pokročilých technologií, které mají za cíl odfiltrovat nežádoucí hluk, pocházející z okolního prostředí.

Sluchátka PX7 obsahují nejnovější inovace v technologii potlačení hluku, která je vybavena senzory a dovede způsob potlačení inteligentně přizpůsobit aktuální situaci vašeho okolí. Změní-li se okolní podmínky, změní se v závislosti na nich i způsob potlačení hluku.

Jednotlivé režimy Noise Cancellation (potlačení hluku) lze cyklicky přepínat tlačítkem na levém sluchátku. Obrázek 2 znázorňuje umístění tlačítka:

Režim	Použití
High (vysoké)	Používá se v prostředí se stálým a silným hlukem, jako například v letadle.
Low (nízké)	Vhodné pro prostředí, kde sice potřebujete potlačit hluk, ale chcete stále vnímat své okolí.
Auto	Inteligentně přepíná režim potlačení podle aktuální situace.
Off (vypnuto)	Vypnutí funkce potlačení okolního hluku.

#### 3.2 Ambient Pass-Through (průchod zvuku z okolí)

Sluchátka PX7 jsou vybavena funkcí Ambient Pass-Through, která umožňuje zprostředkovávat některé zvuky z okolí (například bezpečnostní výstrahy, konverzaci apod.), abyste je slyšeli i s nasazenými sluchátky.

Tato funkce se ovládá také tlačítkem pro potlačení hluku, jenž se nachází na levém sluchátku – znázorněno na obrázku 2.

Funkce	Akce
Povolit funkci Ambient Pass-Through	Podržte na 2 vteřiny stisknuté tlačítko Noise Cancellation.
Vypnout funkci Ambient Pass-Through	Při aktivované Ambient Pass-Through podržte na 2 vteřiny stisknuté tlačítko Noise Cancellation a sluchátka se vrátí do předchozího režimu potlačení hluku.

Úroveň funkce Ambient Pass-Through lze navíc přizpůsobovat vašim potřebám pomocí aplikace Bowers & Wilkins Headphones.

### 3.3 Senzory nošení

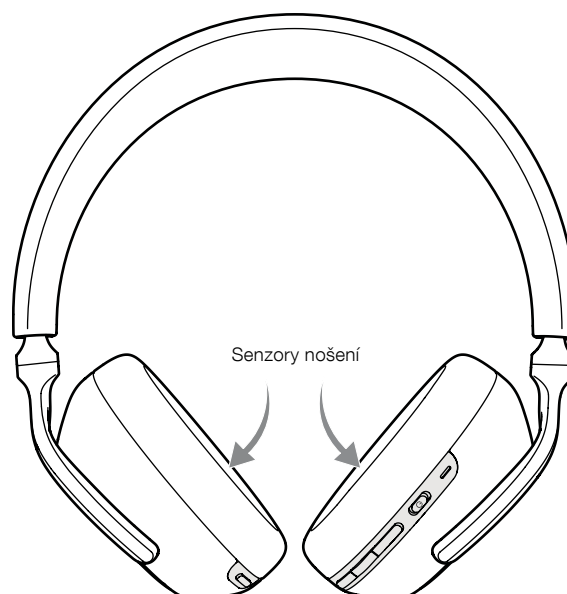
Sluchátka PX7 jsou v obou náušnicích vybavena dotykovými senzory (znázorněno na obrázku 4), takže po sejmutí z hlavy dokážou automaticky přejít do pohotovostního režimu (standby) a šetřit tak akumulátor. Po nasazení na hlavu se z pohotovostního stavu probudí a připojí se k naposledy použitému Bluetooth zařízení.

Pokud během přehrávání po Bluetooth nadzvednete jeden z náušníků, zařadí PX7 automaticky pauzu a po opětovném přiložení náušníku na ucho automaticky spustí přehrávání od místa, kde bylo přerušeno (Auto Resume). Funkce Auto Resume (automatické přehrávání od naposledy přehrávaného místa) však pracuje pouze tehdy, pokud během přerušování přehrávání nedojde k vypnutí sluchátek. Nebude tedy fungovat v těchto případech:

1. Sluchátka byla zapnuta ze zcela vypnutého stavu.
2. Sluchátka byla zapnuta z pohotovostního stavu (standby).
3. Sluchátka se restartují (například po resetu do továrního nastavení).

Funkci senzorů nošení a pohotovostního stavu (standby) lze přizpůsobit pomocí aplikace Bowers & Wilkins Headphones.

*Poznámka: Husté vlasy či předměty ovlivňující tvar vašich ušních boltců (náušnice, brýle, apod.), mohou způsobit chybnou funkci dotekových čidel v náušníku.*



Obrázek 4  
Umístění senzorů nošení

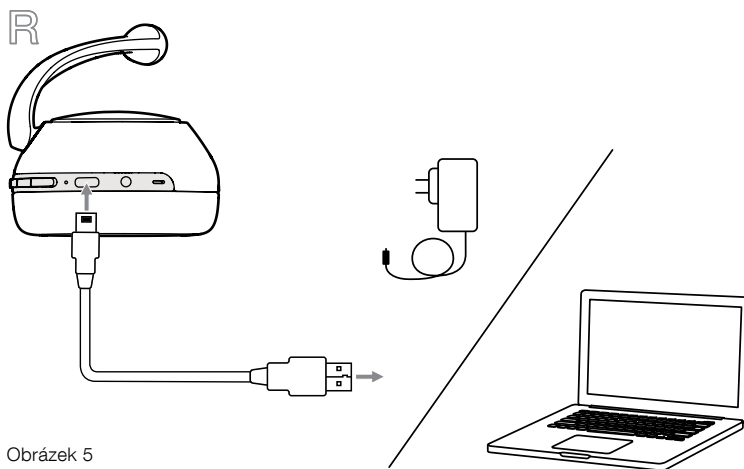
#### 4. Nabíjení akumulátoru a šetření energie

Sluchátka PX7 jsou expedována s částečně nabitým akumulátorem a lze je tedy hned používat. Nicméně přesto se před prvním použitím doporučuje plně akumulátor nabít. Nabíjení do plného stavu akumulátoru sice zabere zhruba 3 hodiny, nicméně sluchátka PX Wireless lze používat i během dobíjení.

Postup pro nabíjení:

1. Větší konektor (USB-A) dodávaného USB kabelu zapojte do napájeného USB terminálu – ať již se jedná o USB zdičku v počítači či AC adaptéru.
2. Následně připojte menší konektor (USB-C) dodávaného USB kabelu do USB-C zdičky na sluchátkách.

*Poznámka: Během nabíjení bude kontrolka na sluchátkách zeleně blikat. Po dosažení stavu plného nabití bude svítit nepřerušovaně. Podrobnosti o stavech kontrolky naleznete na obrázku 3.*



Obrázek 5  
Připojení USB-C kabelu

#### 4.1 Šetření energie v pohotovostním režimu

Senzory nošení u sluchátek PX7 inteligentně šetří energii. Po sundání z hlavy sluchátka PX7 přeruší přehrávání připojeného Bluetooth zdroje a pak přejdou do pohotovostního režimu šetřícího energii, ve kterém se odpojí se od Bluetooth. Po znovunasazení na hlavu se z úsporného pohotovostního režimu probudí a obnoví spojení s naposledy použitým Bluetooth zdrojem.

Mějte prosím na paměti, že aby funkce „probuzení“ z pohotovostního režimu fungovala, musí náušníky správně dosednout. Probuzení sluchátek z pohotovostního režimu také nebude fungovat v případě, že v aplikaci Bowers & Wilkins Headphones zakážete funkci senzorů.

Pomocí aplikace Bowers & Wilkins Headphones můžete nastavit, za jak dlouho mají sluchátka do pohotovostního stavu přecházet.



#### 5. Nošení sluchátek PX7

Správné používání vašich sluchátek pomůže k plnému využití jejich zvukového potenciálu. Prohlédněte si prosím obrázek 6.

1. Nejprve je třeba identifikovat, které sluchátko je levé a které pravé. Identifikační znaky jsou u každého sluchátka vyznačeny uvnitř náušníku.
2. Nasadte si sluchátka na hlavu a hlavový most upravte vysunutím tak, aby vám náušníky seděly na uších správně a pohodlně.

*Poznámka: Husté vlasy mezi boltcem a náušníkem či předměty ovlivňující tvar vašich ušních boltců (náušnice, brýle, apod.), mohou způsobit chybné dosednutí náušníků a tím zhoršit přednes sluchátek či funkčnost dotekových čidel v náušníku.*



Obrázek 6  
Nošení sluchátek PX7

## 6. Bluetooth připojení

### 6.1 Párování

Pro bezdrátové Bluetooth připojení je třeba nejprve sluchátka PX7 s Bluetooth zařízením (např. telefonem, tabletem či počítačem) „spárovat“.

1. Při prvním zapnutí po vybalení, naběhnou sluchátka PX7 rovnou do režimu Bluetooth párování, indikovaného modrým blikáním LED kontrolky. Pokud ovšem sluchátka do tohoto režimu nenaběhnou přímo, posuňte přepínač do nejvyšší polohy (označené ikonou Bluetooth) a podržte jej v ní 5 vteřin, dokud se LED dioda modře nerozblíká a sluchátka nevydají upozorňovací tón.
2. Na zdrojovém Bluetooth zařízení otevřete menu pro nastavení Bluetooth a ověřte, zda je Bluetooth zapnuto. Sluchátka by se pak měla objevit ve výpisu dostupných Bluetooth zařízení. Zvolte je a zavřete nastavovací menu.
3. Kontrolka na sluchátkách PX7 bude během procesu párování neustále modře blikat, po úspěšném dokončení spojení se ozve akustický signál a kontrolka začne svítit nepřerušovaně.

Sluchátka PX7 si mohou pamatovat až osm spárovaných Bluetooth zařízení. Pro spárování dalších zařízení opakujte výše uvedený postup.

*Poznámka: Pokud během 5ti minut nedejde ke spárování žádného zařízení, sluchátka automaticky párovací režim opustí. Pokud párování selhalo, bude kontrolka velmi rychle modře blikat. V takovém případě prosím zkuste párování znovu.*

### 6.2 Vícenásobné Bluetooth připojení

Ke sluchátkům PX7 lze připojit i dvě spárovaná zařízení najednou, nicméně přehrávat hudbu či přijímat hovory nelze z obou současně.

Postup přepínání mezi dvěma zařízeními:

1. Zastavte reprodukci na přímo prvním zařízení, nebo použijte multifunkční tlačítko na PX7
2. Spustte reprodukci na druhém zařízení a sluchátka se na něj přepnou.

Když na prvním zařízení přehráváte audio a na druhém přijmete hovor, zastaví se automaticky přehrávání a sluchátka se přepnou na přijmutý hovor. Po ukončení hovoru se sluchátka automaticky přepnou zpět na první zařízení, na kterém bude pokračovat přehrávání od místa, kde bylo zastaveno.

### 6.3 Odpojení od zařízení

Pro rychlé odpojení sluchátek PX7 od Bluetooth zdroje posuňte dvakrát rychle za sebou posuvný přepínač do horní polohy (ikona Bluetooth). Tím dojde k odpojení všech připojených Bluetooth zařízení. Odpojení oznámí sluchátka PX7 akustickým signálem.

Alternativně můžete některé věci týkající se připojení upravovat v sekci Connections (připojení) aplikace Bowers & Wilkins Headphones.

## 6.4 Nastavení sluchátek pomocí aplikace

Aplikace Bowers & Wilkins Headphones umožňuje podrobnější nastavení funkcí jako Adaptive Noise Cancellation (adaptivní potlačení hluku), Ambient Pass-Through (průchod zvuků z okolí) a Wear Sensors (nastavení senzorů nošení). Pomocí aplikace také můžete přizpůsobovat funkce Voice Prompt (hlasová upozornění), interval pro přechod do pohotovostního režimu a můžete také aktualizovat firmware. Aplikace je zdarma dostupná pro iOS i Android zařízení.

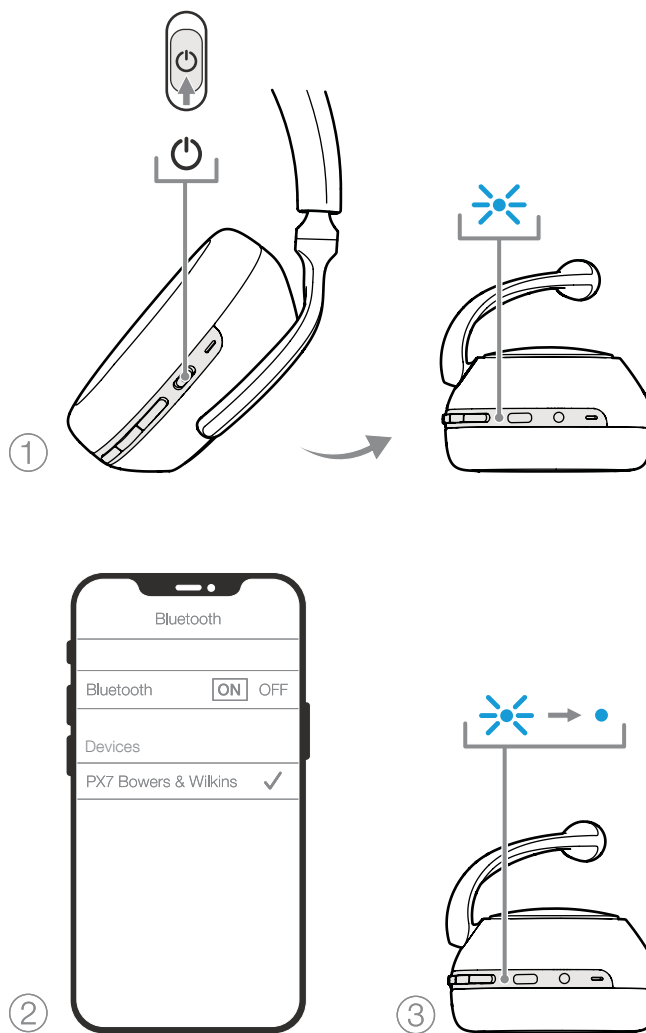
Pro přiřazení vašich sluchátek postupujte následovně:

1. Stáhněte a nainstalujte si do svého zařízení aplikaci Bowers & Wilkins Headphones.
2. Otevřete aplikaci, přečtěte si její upozornění a pravidla, vyžadující váš souhlas.
3. Následně na hlavní stránce jednoduše klikněte na znaménko + postupujte podle zobrazovaných instrukcí.

## 6.5 Aktualizace firmwaru

Je možné, že pro sluchátka PX7 bude občas vydán nový firmware. Účelem mohou být nové funkce či jiná vylepšení.

Bude-li k dispozici nějaká aktualizace, objeví se v aplikaci Bowers & Wilkins Headphones notifikace. Kliknutím na notifikaci v aplikaci proces aktualizace spustíte a pokračujte podle zobrazovaných instrukcí.



Obrázek 7  
Bluetooth párování

## 7. Kabelové připojení

Mimo bezdrátového provozu mohou být sluchátka PX7 připojena ke zdrojům také pomocí dodávaného audio kabelu (3.5mm jack), či USB kabelu.

### 7.1 Připojení pomocí 3.5mm audio kabelu

Propojení audio kabelem je možné použít tam, kde není možné aktivovat Bluetooth (např. na palubě letadla), nebo v případě zdrojů, které Bluetooth nemají (např. klasický HiFi systém). Prohlédněte si obrázek 8.

1. Uchopte jeden konec kabelu a připojte jej do zdířky, nacházející se ve spodní části pravého sluchátka.
2. Druhý konec kabelu pak zapojte do zdířky sluchátkového výstupu přehrávačiho zařízení.
3. Připojením konektoru audio kabelu dojde u sluchátek PX7 automaticky k odpojení od Bluetooth zařízení.

*Poznámka: I v případě provozu po analogovém audio kabelu je nutné, aby byla sluchátka nabitá a zapnuta. Při propojení audio kabelem nebudou fungovat ovládací prvky Play/Pause na sluchátkách.*

### 7.2 Připojení pomocí USB kabelu

USB propojení umožní, aby sluchátka PX7 ve spojení s patřičným počítačem fungovala jako USB výstupní audio zařízení.

1. Uchopte USB-C konec kabelu a připojte jej do USB-C zdířky, nacházející se ve spodní části pravého sluchátka.
2. USB Type A konec kabelu pak zapojte do patřičného terminálu vašeho počítače.
3. Připojením kabelu dojde u sluchátek PX7 automaticky k odpojení od Bluetooth zařízení.
4. Vyberte sluchátka jako výstupní zařízení v menu ovládacího panelu počítače.

*Poznámka: V případě propojení po USB kabelem do patřičného USB terminálu v počítači zároveň dochází k dobíjení akumulátoru sluchátek.*

## 8. Restart a reset

### 8.1 Restart

Sluchátka PX7 můžete restartovat tím, že současně stisknete tlačítka Volume + (zvýšení hlasitosti) a Volume – (snížení hlasitosti) a budete je držet stisknutá 10 vteřin, dokud kontrolka nepohasne a znovu se rozsvítí. Restartováním sluchátek nedojde k vymazání jejich vnitřního nastavení, ani k vymazání historie dříve spárovaných přístrojů.

### 8.2 Reset na tovární hodnoty

Resetováním můžete u sluchátek vymazat paměť dříve spárovaných přístrojů a také vnitřní nastavení. Jsou-li sluchátka PX7 zapnuta, stiskněte současně tlačítka Volume + (zvýšení hlasitosti), Volume – (snížení hlasitosti) a Noise Cancellation (potlačení hluku) a držte je stisknutá 10 vteřin, dokud kontrolka nepohasne a znovu se rozsvítí. Sluchátka jsou pak zcela vyresetována a jsou připravena k novému párování. Alternativně můžete reset provést z aplikace Bowers & Wilkins Headphones, pomocí funkce Reset v nastavovacím menu aplikace (Settings).

## 9. Péče o sluchátka a jejich údržba

### 9.1 Ukládání sluchátek PX7

Správná péče umožní sluchátkům PX7 udržet si dlouhodobě své parametry a kvalitu.

Pokud sluchátka nepoužíváte, ukládejte je do pouzdra, které je součástí jejich balení. Před uložením je doporučujeme nejprve vypnout.

1. Zasuňte levou i pravou část hlavového mostu tak, aby byl most co nejmenší.
2. Uchopte sluchátka tak, aby tlačítka směřovala proti vám a pak otočte náušníky směrem dovnitř, čímž dojde ke složení naplocho.
3. Takto naplocho složená sluchátka pak vsuňte do ochranného pouzdra.

## 9.2 Čištění sluchátek PX7

Sluchátka PX7 čistěte opatrně jemnou utěrkou z mikrovlákna, krátkými tahy a ne moc velkým tlakem.

Textilie použitá na sluchátkách PX7 je potažena speciální impregnací. Pokud se na povrchu této textilie objeví nějaké nečistoty, vyčistěte je prosím také podle výše popsané instrukce.

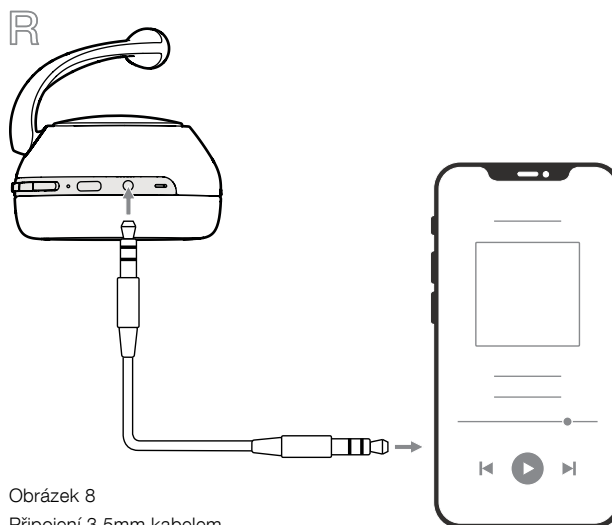
- NEPOUŽÍVEJTE k čištění agresivní, či abrazivní prostředky. Zvláště ne na textilií potažené části.
- NEPOUŽÍVEJTE papírové ručníky, utěrky či ubrusy, ze kterých mohou na povrchu zůstat zbytky.
- NEPOUŽÍVEJTE chemické čisticí prostředky, čisticí pěny, leštidla apod.
- Dávejte pozor, aby se dovnitř sluchátek přes tlačítka a zdířky nedostala žádná vlhkost.

## 10. Podpora

Potřebujete-li další pomoc, nebo máte-li nějaké další otázky ohledně sluchátek PX7, podívejte se prosím na naše stránky pro podporu [www.bowerswilkins.com/support](http://www.bowerswilkins.com/support).

### Informace k životnímu prostředí

Tento produkt je konstruován s ohledem na nejen tyto mezinárodní předpisy – RoHS (Restriction of Hazardous Substances) jenž se týká omezení nebezpečných látek v elektrických a elektronických zařízeních, REACH (Registration, Evaluation, Authorisation and restriction of CHemicals), jenž se týká registrace, evaluace, autorizace a restrikce chemických látek a WEEE (Waste Electrical and Electronic Equipment), jenž se týká likvidací elektrického a elektronického zařízení. Více informací o tom, jak správně recyklovat nebo likvidovat tento výrobek, získáte od příslušného orgánu, který se zabývá likvidací odpadu.



Obrázek 8  
Připojení 3.5mm kabelem

## Specifikace

Typ	Bezdrátová Bluetooth sluchátka dosedající kolem uší
Technické přednosti	Adaptivní potlačení okolního hluku Ambient Pass Through (průchod okolního zvuku) Senzor nošení Bluetooth audio – Bluetooth 5.0 včetně aptX™ Adaptive USB-C dobíjení a audio interface 3.5mm zdířka pro analogové kabelové audio připojení
Bluetooth kodeky	aptX™ Adaptive aptX™ HD aptX™ HD aptX™ Classic AAC SBC
Bluetooth profily	A2DP v1.3.1 AVRCP v1.6.1 HFP v1.7.1 HSP v1.2 BLE GATT (Generic Attribute Profile)
Měníče	2 x ø 43.6mm širokopásmový
Mikrofony	4x mikrofon pro ANC (potlačení hluku) 2x mikrofon pro telefonování (CVC2 – Clear Voice Communication v2)
Frekvenční pásmo	10Hz až 30kHz
Vstupní impedance	20 kOhm
Zkreslení (THD)	<0.3% (1KHz/10mW)
Typ baterie	Dobíjecí, Lithium Polymer
Výdrž baterie	30 hodin s Bluetooth a ANC, 5 hodin na 15min nabíjení
Vstupy	Bluetooth, 3.5mm stereo jack, USB-C audio
Příslušenství v balení	1.2m stereo audio kabel, 1.2m kabel USB-A na USB-C, úložné pouzdro
Hmotnost	310 gramů



## Üdvözlí Önt a Bowers & Wilkins és a PX7

Köszönjük, hogy a Bowers & Wilkins-t választotta. Amikor John Bowers megalapította a Bowers & Wilkins céget, hitte, hogy az ötletes dizájn, az innovatív megoldások és a fejlett technológia az otthoni szórakoztatás alapjai. Az Ő hite vezet és inspirál minket minden termékünknel, amit tervezünk, immár az otthonon kívüli audió élményekhez is tervezve.

A PX7 egy kiváló minőségű, fület körülölelő fejhallgató, mely úgy lett kialakítva, hogy a lehető legmagasabb minőségű hangzást nyújtsa a vezeték nélküliség és a zajszűrés kényelmével. Ebben a leírásban mindent megtalál, amit az új PX7 fejhallgatójáról tudni kell.

A PX7 képes zenét lejátszani vezeték nélküli módban a mobiltelefonjáról, tabletjéről vagy Bluetooth kapcsolattal rendelkező számítógépéről. Ezen felül csatlakozhat hagyományos úton, jack vezetékkel is egy analóg fejhallgató kimenetre. A PX7 képes audió hanganyagok megszólaltatására egy számítógép USB aljzatáról, illetve használható telefonbeszélgetések lebonyolítására is.

A PX7 Real World Listening szolgáltatása tartalmazza a legújabb fejlesztéseinket, az adaptív, aktív zajszűrést, a környezeti zaj átengedést és a továbbfejlesztett viselés szenzor technológiákat. A legújabb generációs zajszűrésünket az alapoktól kezdve teljesen újraterveztük, kiegészítve az intelligens környezeti érzékelés funkcióval, mely automatikusan kiválasztja az adott környezeti zajokhoz legjobban illeszkedő zajszűrést és melynek az egyedüli célja a kompromisszummentes hangzás biztosítása. A környezeti zaj átengedés funkció lehetővé teszi, hogy némi külső zaj, például párbeszéd vagy biztonsági figyelmeztetés jól hallható legyen, anélkül, hogy le kellene venni a fejhallgatót.

A viselés szenzor technológiánk lehetővé teszi, hogy a PX7 természetesen reagáljon Önre, a pillanat állj és a lejátszás folytatása funkciók, egy egyszerű – a fültől elemelt fülpárna – mozdulattal aktiválhatók. Ezek a jellemzők kapcsolhatóak és tovább finomíthatóak a Bowers & Wilkins Headphone alkalmazásában, mely ingyenesen letölthető iOS és Android eszközökre.

A PX7 újratölthető akkumulátorral rendelkezik. Ha az akkumulátor teljesen feltöltődött, akkor a Bluetooth, adaptív zajszűrő és a környezeti zaj átengedés használatától függően akár 30 órás vezeték nélküli lejátszásra képes, bekapcsolt zajszűréssel és átlagos hangerőszinten.

## 1. A PX7 dobozának tartalma

PX7 fejhallgató  
Tároló tok  
USB-C töltő kábel  
3.5mm-es audió vezeték  
Dokumentumok

## 2. Ismerkedés PX7 fejhallgatóval

### 2.1 A fejhallgató be és kikapcsolása

Az 1. ábra illusztrálja a főkapcsoló funkcióit.

#### Bekapcsolás

A főkapcsoló a fejhallgató jobb oldali fülkagylóján található. Csúsztassa a kapcsolót a középső pozícióba. A bekapcsolást hangjelzés kíséri, a LED kijelző pedig zöld, borostyán vagy piros fényvel jelezi az aktuális töltöttséget.

#### Kikapcsolás

Csúsztassa a kapcsolót az alsó állásba. Egy hangjelzést követően a fejhallgató kikapcsol, ekkor a LED kijelző sem világít.

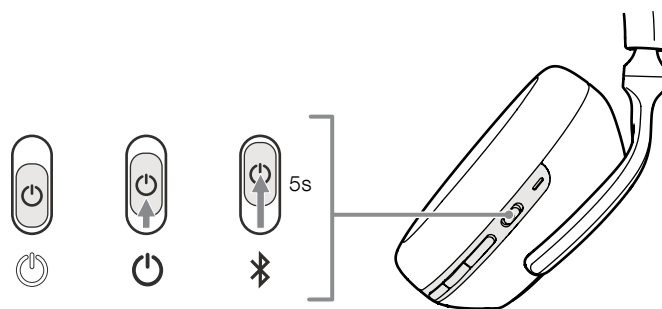
### 2.2 A fejhallgató kezelése

A 2. ábra mutatja be a fejhallgató kezelőszerveit. A jobb oldali fülkagylón elhelyezkedő gombok funkciói média lejátszás esetén:

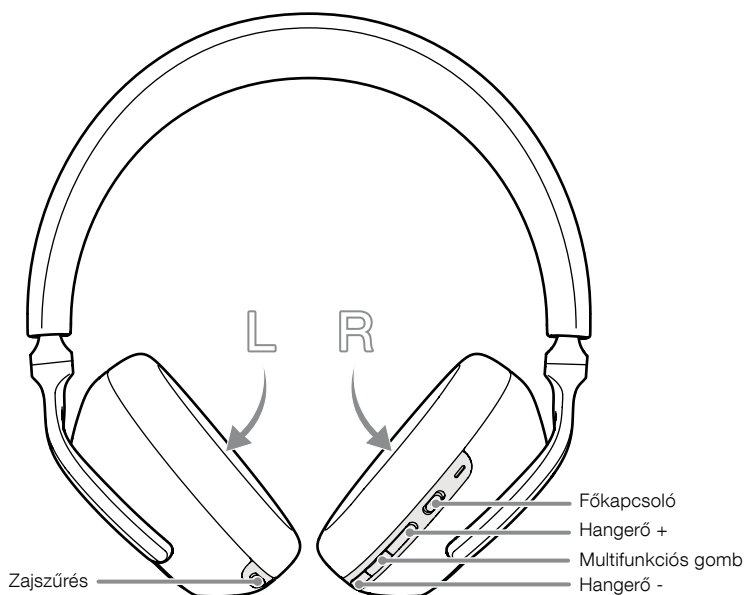
Funkció	Művelet
Lejátszás vagy pillanat állj	Nyomja meg egyszer a multifunkciós gombot.
A következő szám lejátszása	Nyomja meg kétszer, gyors egymásutánban a multifunkciós gombot. <i>Megjegyzés: a funkció működése a forrástól is függhet.</i>
Az előző szám lejátszása	Nyomja meg háromszor, gyors egymásutánban a multifunkciós gombot. <i>Megjegyzés: a funkció működése a forrástól is függhet.</i>
Hangerő növelés	Nyomja meg a Hangerő + gombot.
Hangerő csökkentés	Nyomja meg a Hangerő - gombot.

A jobb oldali fülkagylón elhelyezkedő gombok funkciói telefonálás esetén:

Funkció	Művelet
Hívásfogadás vagy befejezés	Nyomja meg egyszer a multifunkciós gombot.
Bejövő hívás fogadása	Ha hívás érkezik, nyomja meg egyszer a multifunkciós gombot.
Bejövő hívás elutasítása	Ha hívás érkezik, tartsa lenyomva a multifunkciós gombot 2 másodpercig.
Hívások közti váltás	Két aktív hívásnál, nyomja meg a multifunkciós gombot kétszer.
Két hívás egyesítése	Két aktív hívásnál, tartsa lenyomva a multifunkciós gombot 1 másodpercig.
Némítás váltás	Hívás közben, nyomja meg a multifunkciós gombot háromszor.



1. Ábra  
A főkapcsoló funkciói



2. Ábra  
Fejhallgató kezelőszervei

Fényjelzés	Működési állapot
Fehér	Akku töltöttség > 30%
Borostyán	Akku töltöttség 30% és 10% között
Piros	Akku töltöttség < 10%
Piros villogás	Az akku töltöttsége nem elegendő a fejhallgató működéséhez
Kék villogás	Párosítás mód
Kék (2mp folyamatos)	Párosítás sikeres
Kék villogás (híváskor)	Bejövő hívás
Zöld villogás	Gyorstöltés
Zöld folyamatos	Akku teljes töltöttségen, lassú töltés

3. Ábra  
Az állapotjelző színei

### 2.3 Állapotjelző színei

Az állapotjelző LED, a jobb oldali fülkagylón található. A 3. ábra mutatja be a különböző állapotok színeit.

## 3. Intelligens szolgáltatások

### 3.1 Adaptív zajszűrés

A zajszűrés számos fejlett technológia összessége, mely segít eltávolítani a nemkívánatos környezeti zajokat.

A PX7 a legújabb fejlesztésű adaptív zajszűrési technológiánkat kapta meg, mely intelligens módon elemzi a környezeti zajokat és ehhez mérten állítja be a kívánt zajszűrést. Ha a környezeti zajok megváltoznak, akkor a zajszűrés automatikusan alkalmazkodik a módosult környezethez.

A zajszűrés gombja a bal oldali fülkagylón található, ez a 2. ábrán látható. A gomb funkciói a következők:

Mód	Alkalmazás
Magas	Állandóan zajos környezethez - például repülőgép-kabin - javasolt.
Alacsony	Olyan környezetbe javasolt, ahol figyelni kell a környezetre is.
Auto	Intelligens módon alkalmazkodik a környezeti zajok megváltozásához.
Ki	A zajszűrés szolgáltatás kikapcsolása.

### 3.2 Környezeti zaj átengedés

A PX7 környezeti zaj átengedés funkciója lehetővé teszi, hogy némi külső zaj, például párbeszéd vagy biztonsági figyelmeztetés jól hallható legyen, anélkül, hogy le kellene venni a fejhallgatót.

A bal oldali fülkagylón található zajszűrés gombbal - lásd 2. ábra- is használhatja ezt a funkciót.

Funkció	Művelet
Környezeti zaj átengedés engedélyezés	Nyomja meg és tartsa lenyomva 2 másodpercig a zajszűrés gombot.
Környezeti zaj átengedés tiltás	Ha a környezeti zaj átengedés funkció működik, akkor tartsa lenyomva 2 másodpercig, vagy csak nyomja meg a zajszűrés gombot, hogy a fejhallgató visszalépjen az előző zajszűrés módba.

A környezeti zaj átengedés szintjét a Bowers & Wilkins Headphones alkalmazásban finomhangolhatja.

### 3.3 Viselés szenzorok

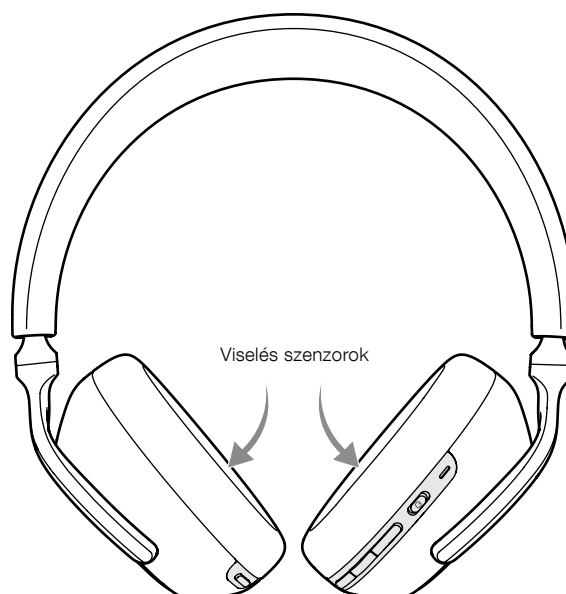
A PX7 magába foglalja a legújabb viselés érzékelőinket, mely mindkét fülkagylóban megtalálható. Ezt a 4. ábrán láthatja. A fejhallgató levételekor a készülék készenléti módba kapcsol, így csökkentve az energia felvételt. Felvételtkor a PX7 automatikusan felébred és az utoljára csatlakoztatott Bluetooth eszközhöz kapcsolódik.

Média lejátszás közben a PX7 automatikusan megáll, ha bármelyik fülkagylót elemeli a fülétől, majd visszatér a lejátszáshoz, ha visszahelyezi. Az automatikus lejátszás funkció optimalizálva lett, így csak akkor áll készen, amikor valóban szükséges. Ennek alapján a fejhallgató nem indítja el a lejátszást az alábbi feltételek mellett:

1. A fejhallgató kikapcsolt állapotból bekapcsol.
2. A fejhallgató készenléti állapotból felébred.
3. A fejhallgató újraindul (például gyári visszaállítás esetén)

A viselés szenzor és a készenléti funkciók finomhangolhatóak a Bowers & Wilkins Headphones alkalmazásban.

*Megjegyzés: A fejhallgató viselésekor ügyeljen arra, hogy a fül és a fülpárnák közé ragadt hajszálok vagy egy szemüveg szára eltorzíthatják a fülének profilját és ez esetleg megzavarhatja a közelségérzékelők működését.*



4. Ábra  
A viselés szenzorok elhelyezkedése

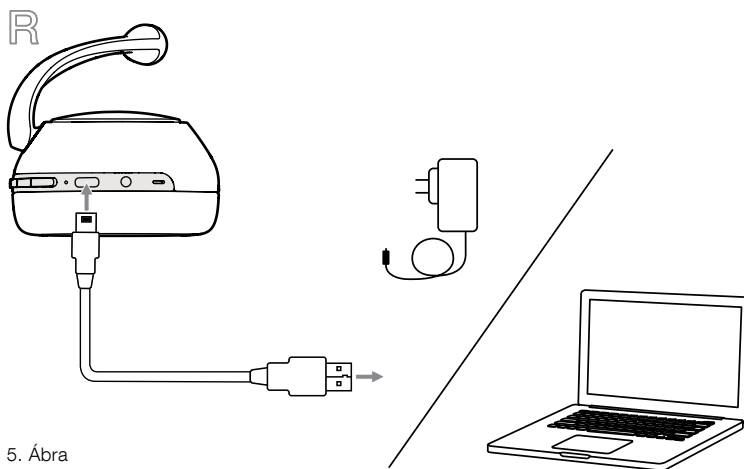
#### 4. Akkumulátortöltés és energia megtakarítás

A PX7 részlegesen feltöltött akkuval érkezik, így azonnal használható. Azt javasoljuk, hogy az első használat előtt teljesen töltsse fel a fejhallgatót. Kérjük, hagyjon bő 3 órát a teljes feltöltésre. A fejhallgató használható töltés közben is.

A töltéshez:

1. Kérjük, használja a mellékelt töltőkábelt, majd csatlakoztassa egy USB-A aljzattal rendelkező fali töltőhöz vagy egy számítógép USB-A aljzatához.
2. Ezután csatlakoztassa a vezeték USB-C végét a fejhallgató USB-C aljzatába.

*Megjegyzés: Töltés alatt a fejhallgató állapotjelzője zölden villog. Ha teljesen feltöltött a kijelző folyamatosan világítani fog. Az állapotjelző színeit a 3. ábra ismerteti.*



5. Ábra  
USB-C kábel csatlakozás

#### 4.1 Készenléti energia megtakarítás

A PX7 viselés érzékelői intelligensen szabályozzák a fejhallgató energiafogyasztását. Mikor leveszi a fejéről, a PX7 automatikusan készenléti módba áll, mely megszakítja a lejátszást, megszünteti a Bluetooth kapcsolatot és alacsony fogyasztású módba lép.

Mikor a fejhallgatót újra felveszi a PX7 felébred, majd az utóljára csatlakoztatott Bluetooth eszközhöz kapcsolódik. Vegye figyelembe, hogy mindkét fülkagylónak érzékelnie kell a megfelelő működéshez. Ha a szenzorok az alkalmazásban ki vannak kapcsolva, akkor ez a funkció sem működik.

Az applikációval beállíthatja, hogy a fejhallgató mennyi időt várjon, mielőtt automatikusan készenléti módba kapcsol. Kérjük, tanulmányozza a készenléti időzítés menüpontját az alkalmazás beállításáiban.



#### 5. A fejhallgató viselése

A fejhallgató helyes viselése elősegíti, hogy a lehető legjobb élményben legyen része. Ezt a 6. ábrán láthatja.

1. Azonosítsa a bal és jobb oldali fülkagylókat a feliratok alapján, melyek a fülkagylók belsejében találhatóak.
2. Ezek alapján vegye fel a fejhallgatót, majd a fejpánt segítségével állítsa be úgy, hogy a fülpárnák kényelmesen feküdjenek a fülén.

*Megjegyzés: Szemüveg viselésekor a szemüveg szárai eltorzíthatják a fülének profilját és ez interferenciát okozhat a lejátszásban. Hasonlóképp a fül és fülpárna közé szorult haj is befolyással lehet a viselés szenzorok működésére.*



6. Ábra  
A fejhallgató viselése

## 6. Bluetooth csatlakozás

### 6.1 Párosítás

A PX7 képes média tartalmakat lejátszani vezeték nélkül, Bluetooth audió eszközökről, például okostelefonokról, tabletekről és személyi számítógépekről. Ehhez elsőként a fejhallgatót és a forráseszközt párosítani kell.

1. A fejhallgató első bekapcsolásakor engedélyezi a Bluetooth párosítás módot, a kijelző pedig kék színnel fog villogni. Ha a párosítás mód nincs engedélyezve, akkor kérjük, csúsztassa el a főkapcsolót a Bluetooth ikon irányába és tartsa úgy 5 másodpercig, majd engedje el. Erre a kijelző kék színnel kezd el villogni, továbbá egy hangjelzés is hallható.
2. Győződjön meg arról, hogy a forráseszközén a Bluetooth szolgáltatás be van kapcsolva, majd az elérhető eszközök listáján megjelenő PX7 készüléket kiválasztva kezdje meg a párosítást.
3. A folyamat alatt a kék színnel villogó kijelző folyamatos kékre vált, továbbá egy hangjelzés is tájékoztatja, hogy a párosítás sikeres volt.

A fejhallgató nyolc párosított Bluetooth eszközt képes eltárolni a memóriájában. Ismételje meg a fenti lépéseket több eszköz párosításánál.

*Megjegyzés: A fejhallgató automatikusan kilép a párosítás módból, ha 5 perc után sem észlel párosítandó eszközt. Ha a párosítás sikertelen, kérjük, ismételje meg a fenti lépéseket.*

### 6.2 Több Bluetooth kapcsolat

A PX7 képes két eszközhöz is csatlakozni egyszerre, de vegye figyelembe, hogy csak az egyikről tud audiót lejátszani vagy hívást fogadni egy időben.

A két eszköz közötti váltáshoz:

1. Állítsa meg a lejátszást az első eszközön vagy használja a PX7 multifunkciós gombját.
2. Indítsa el a lejátszást a második eszközön, a fejhallgató átvált.

Ha audio tartalmat játszik le az első eszközön és hívást fogad a második eszközről, akkor a lejátszás automatikusan megáll és a hívás a fejhallgatóra kerül. A hívás befejeztével a lejátszás folytatódik az első eszközön.

### 6.3 Lecsatlakozás az eszköztől

A PX7-tel gyorsan lecsatlakozhat a készülékről, a főkapcsoló gyors, kétszeri elcsúsztatásával a Bluetooth ikon irányába, a sikeres lecsatlakozást hangjelzés is kíséri.

Ezen felül a Bowers & Wilkins Headphones alkalmazásban további beállításokat is elvégezhet a Csatlakozások menüpont alatt.

## 6.4 A fejhallgató beállítása az alkalmazás segítségével

A Bowers & Wilkins Headphones alkalmazás olyan kibővített beállítási lehetőségeket tesz lehetővé, mint az adaptív zajszűrés, környezeti hang átengedés és viselés szenzor. Az alkalmazásban ezen felül további funkciók - mint a hangüzenet, készenléti idő, csatlakozási menedzsment és a fejhallgató szoftverfrissítés - is elérhetőek. Az alkalmazás díjmentesen letölthető iOS és Android eszközökre.

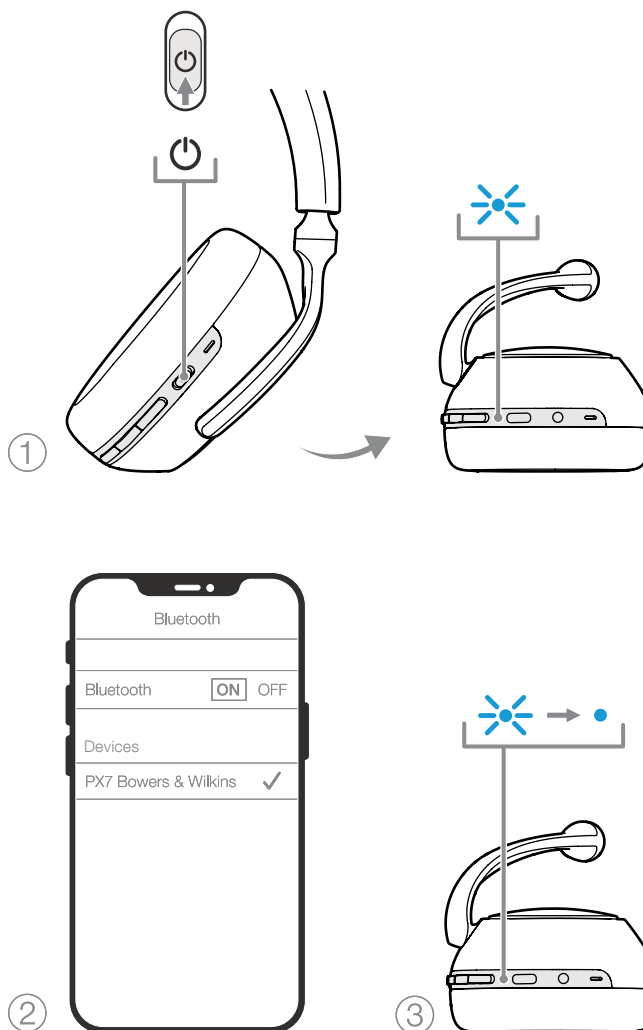
Fejhallgató hozzáadásához:

1. A mobil eszközére töltsse le, majd installálja a Bowers & Wilkins Headphones alkalmazást.
2. Indítsa el a programot, majd olvassa el és kövesse az instrukciókat, az alkalmazásértesítéseket és engedélyeket.
3. Miután elérte a fő képernyőt, egyszerűen érintse meg a + gombot és kövesse az alkalmazás utasításait.

## 6.5 Fejhallgató szoftverfrissítés

A Bowers & Wilkins bizonyos időközönként elérhetővé tesz szoftverfrissítéseket, mely finomítja és optimalizálja fejhallgatójának teljesítményét és új szolgáltatásokat tesz elérhetővé.

A Bowers & Wilkins Headphones alkalmazás, értesíti, ha van elérhető szoftverfrissítés, mely esetében érintse meg a jelzést majd kövesse az utasításokat.



7. Ábra  
Bluetooth párosítás

## 7. Külső csatlakozás

A Bluetooth kapcsolaton kívül a PX7 fejhallgatójához, 3.5mm audió vagy USB kábellel is csatlakozhat.

### 7.1 Csatlakozás 3.5mm-es audió kábellel

A 3.5mm-es audió vezeték segítségével a PX7 fejhallgatóját összekötheti egy analóg kimenettel rendelkező készülékkel, mint például fejhallgató aljzattal rendelkező okostelefonokon vagy tableteken, vagy tradicionális hifi rendszerekkel. Lásd 8. ábra.

1. Helyezze a 3,5mm-es audió vezetékét a fejhallgató jobb oldalán található 3,5mm-es aljzatába.
2. A vezeték másik végét csatlakoztassa a forrás eszközéhez.
3. A PX7 automatikusan lecsatlakozik bármely kapcsolódó Bluetooth eszköztől.

*Megjegyzés: A fejhallgatójának elegendő töltöttséggel kell rendelkeznie, és bekapcsolva kell lennie az analóg forrásról való lejátszáshoz. A hangerő és a lejátszás/pillanat állj funkciók a 3,5mm interfész használatakor nem működnek.*

### 7.2 Csatlakozás USB kábellel

AZ USB csatlakozás lehetővé teszi, hogy a PX7 USB hang kimeneti eszközként funkcionáljon, ha egy erre képes számítógéphez csatlakozik.

1. Csatlakoztassa az USB-C végződést a PX7 jobb fülkagylóján található USB-C aljzatba.
2. Az USB vezeték másik, „A” típusú végét csatlakoztassa egy ilyen csatlakozással ellátott számítógéphez.
3. A PX7 automatikusan lecsatlakozik a kapcsolódó Bluetooth eszközökről.
4. A számítógépének audio kimenet paneljéről keresse ki és majd válassza ki a fejhallgatóját.

*Megjegyzés: Ha csatlakozik egy ilyen USB aljzattal rendelkező számítógéphez, akkor egyidejűleg a fejhallgató akkumulátora is töltődik.*

## 8. Újraindítás és reset

### 8.1 Újraindítás

Újraindíthatja a PX7 fejhallgatóját a Volume + és Volume – gombok egyidejű, 10 másodperces nyomva tartásával, melyre a LED kialszik, majd a LED felvillanásakor engedje el a gombokat. A fejhallgató újraindítása nem törli ki a készülék beállításokat és az eltárolt párosított eszközöket.

### 8.2 Az alapértelmezett mód visszaállítása

Ezzel a funkcióval minden párosított eszköz törölhető és a beállítások visszaállíthatók alapértelmezett módba. A PX7 bekapcsolt állapotában egyszerre nyomja meg és tartsa lenyomva a Volume +, Volume – és a zajszűrés gombot 10 másodpercig, míg a LED kijelző kialszik, majd az újbóli felvillanásakor engedje el a gombokat. Ekkor a fejhallgató készen áll a párosításra. Ezen felül a törlés a Bowers & Wilkins Headphones alkalmazásából is elérhető, lásd a beállítások fejezet reset menüpontját.

## 9. Ápolás & Karbantartás

### 9.1 A PX7 tárolása

Annak érdekében, hogy a PX7 folyamatosan a legjobb élményt és minőséget biztosítsa, kérjük, gondoskodjon a fejhallgatójáról.

Ha nem használja, tárolja a mellékelt tokjában. Először is kapcsolja ki a fejhallgatót:

1. Húzza vissza a fejpántot mindkét oldalon a legkisebb méretre.
2. A gombok Ön felé nézzenek, majd fordítsa a fülkagylókat befele, vízszintes pozícióba.
3. Helyezze a fejhallgatót a tokjába.

### 9.2 A PX7 tisztítása

A PX7 fejhallgató puha, nedves mikroszálas ronggyal tisztítható, óvatos letörléssel.

A PX7 szövet felülete, egy speciális kosz és foltaszító bevonattal lett ellátva. Ha szennyeződés, folt vagy rostszálak halmozódnak fel a felületen, kérjük, az alábbiak szerint járjon el.

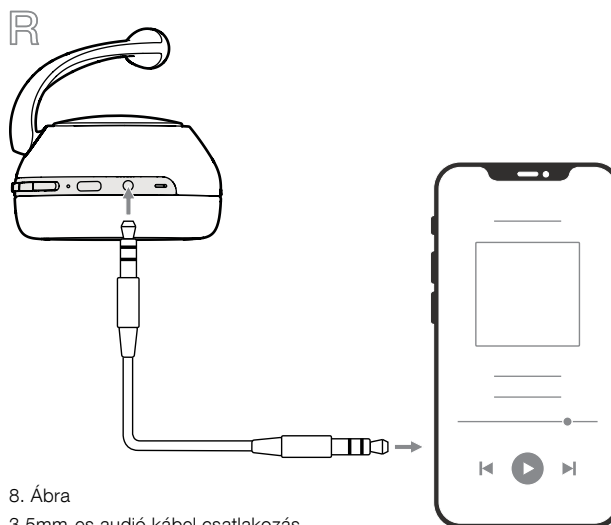
- NE dörzsölje agresszíven és ne használjon súroló eszközt a tisztításhoz, különösen a szövethez.
- NE használjon papírtörítőt, szalvétát vagy zsebkendőt mivel ezek maradványokat hagynak.
- NE használjon tisztítószeret, szappanos vizet, polírozó vagy vegyi tisztítószer.
- Ügyeljen arra, hogy ne kerüljön nedvesség a fülkagylók, gombok és a csatlakozások belsejébe.

## 10. Támogatás

Ha további segítségre lenne szüksége a PX7 fejhallgatójával kapcsolatban, akkor keresse fel a Fejhallgatók támogatási weboldalát az alábbi címen [www.bowerswilkins.com/support](http://www.bowerswilkins.com/support).

### Környezetvédelmi információk

Ez a termék megfelel a nemzetközi irányelveknek, ideértve, de nem kizárólagosan az Elektromos és Elektronikus berendezések veszélyes anyagának korlátozásáról (RoHS), a Vegyi anyagok Regisztrálására, Értékelésére, Engedélyezésére és Korlátozásáról (REACH), valamint az Elektromos és Elektronikus Hulladékok (WEEE) ártalmatlanításáról szóló rendeleteknek. A termék újrahasznosításához vagy ártalmatlanításához tanácsot kérhet a helyi hulladékkezelő hatóságtól.



8. Ábra

3,5mm-es audió kábel csatlakozás

## Specifikációk

Viselési stílus	Bluetooth, vezeték nélküli, fület körülölelő fejhallgató
Technikai jellemzők	Adaptív zajszűrés Környezeti zaj átengedés Viselés szenzor Bluetooth® - Bluetooth 5.0 aptX™ Adaptive USB-C, töltés és audió csatlakozás 3.5mm-es audió csatlakozás
Bluetooth kodekek	aptX™ Adaptive aptX™ HD aptX™ Classic AAC SBC
Bluetooth profilok	A2DP v1.3.1 AVRCP v1.6.1 HFP v1.7.1 HSP v1.2 BLE GATT (Generic Attribute Profile)
Meghajtó egységek	2 x ø 43.6mm-es szélessávú
Mikrofonok	4x mikrofon a zajszűréshez 2x mikrofon a telefonáláshoz (CVC2 – Clear Voice Communication v2)
Frekvencia tartomány	10Hz - 30kHz
Bemeneti impedancia	20 kOhm
Torzítás (THD)	<0.3% (1kHz/10mW)
Akku típus	Újratölthető lítium polymer
Akkuidő és töltés	30 óra Bluetooth és zajszűrés be, 5 óra, 15 perces töltéssel
Bemenetek	Bluetooth, 3.5mm sztereó jack, USB-C audió
Tartozékok	1.2m sztereó audió kábel, 1.2m USB-A - USB-C kábel, tok
Súly	310 gramm

## 欢迎使用Bowers & Wilkins产品和PX7无线耳机

感谢您选择Bowers & Wilkins。John Bowers在创建本公司伊始就坚信富有想象力的设计理念、创新工程和先进技术是开启家庭音响乐趣的钥匙。如今，我们继续秉持和分享这种信念，并以此激发我们设计每一款产品，量身定制家庭以外的音响新体验。

Bowers & Wilkins PX7是一款高性能耳罩式耳机，专为顶级移动个人音频体验所打造，同时具备无线操作的便利性和出色的降噪功能。本产品手册将介绍PX7耳机的最佳使用方法，以获得非凡性能。

PX7可以通过蓝牙无线播放手机、平板电脑或电脑上的音乐，也可以使用音频线，常规连接到合适的模拟耳机输出。PX7还可以使用USB线连接计算机播放音频，也能用于无线电话通话。

PX7聆听真实世界的（Real World Listening）功能包括我们在自适应降噪（Adaptative Noise Cancellation）、环境音传导（Ambient Pass-Through）和增强型佩戴传感（Wear Sensing）技术领域的最新创新技术。我们率先独创了新一代降噪功能，现已具备智能环境感知能力，自动挑选最适合周围环境的降噪类型，只为确保完美无瑕的听音体验。环境音传导技术可在无需摘下耳机的情况下清晰地听到外部声音，如：交谈或安全通知。佩戴传感功能赋予PX7自然响应的能力，只需将耳机戴上或取下即可暂停和恢复播放音乐。您可以通过Bowers & Wilkins Headphone App应用程序在iOS和Android设备上启用及定制这些功能。

PX7配备可充电电池组。充满电后，根据蓝牙、自适应降噪、环境音的使用程度，在平均播放音量水平上启用降噪功能，电池组最长可连续30小时无线串流媒体播放。



## 1. PX7装箱清单

PX7耳机  
收纳盒  
USB-C充电线  
3.5m音频线  
随附文件

## 2. PX7简介

### 2.1 耳机电源开关

图1显示电源开关的功能。

#### 开启

电源开关位于右侧耳机。将电源开关滑到中间位置，系统会发出提示音，LED指示灯亮起，绿色、黄色或红色分别表示当前的电量水平。

#### 关闭

将电源开关滑到底部位置，将发出声音提示。当LED指示灯不再亮起时，耳机电源将关闭。

### 2.2 耳机控制

图2显示耳机控制方法，右侧耳机上的按钮用于媒体播放：

功能	使用方法
播放或暂停	按一下多功能按钮
下一首	连续快速按两下多功能按钮。 注：该功能取决于音源设备。
上一首	连续快速按三下多功能按钮。 注：该功能取决于音源设备。
增加音量	按音量+按钮。
降低音量	按音量-按钮。

右耳机上的下列按钮用于通话功能：

功能	使用方法
应答或结束来电	按一次多功能按钮
接听来电	来电时，按一次多功能按钮。
拒接来电	来电时，按住多功能按钮，保持2秒。
在两个来电之间切换	接通两个来电后，按两下多功能按钮。
合并两个来电	接通两个来电后，按住多功能按钮，保持1秒。
切换静音	打电话时，按多功能键三次。

### 2.3 状态指示灯

状态LED指示灯位于右侧耳机，图3显示了灯光颜色说明。

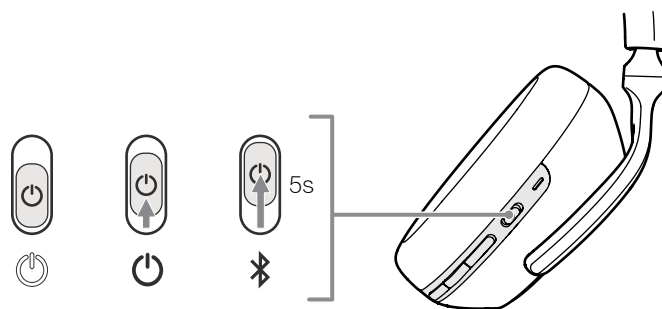


图1：  
电源开关功能



图2：  
耳机控制

灯光颜色	运行状态
白光	电量>30%
黄光	电量在30%至10%之间
红光	电量<10%
红光闪烁	电量不足以运行耳机
蓝光闪烁	配对模式已启用
蓝光（常量2秒）	配对成功
蓝光闪烁（来电）	来电
绿光闪烁	快速充电
绿光常量	电池充满，滴流充电

图3：  
状态指示灯颜色

### 3. 智能功能

#### 3.1 自适应降噪

降噪采用了一系列先进技术，用于消除周围环境中的噪声。

PX7采用我们最新的创新型自适应降噪技术，包括配合降噪和调节的智能感应，从而完美契合周围环境。降噪功能可随环境变化自动适应新环境。

左侧耳机的降噪按钮用于在以下模式之间循环，按钮位置见图2：

模式	用途
高	适用于飞机机舱等持续嘈杂的环境。
低	适合您必须意识周围环境之时。
自动	智能地自适应降噪，以符合当时四周环境。
关	关闭降噪功能。

#### 3.2 环境音传导

PX7耳机具备环境音传导功能，从而无需摘下耳机就可听到一些外部环境声音，如：安全通知或谈话。

左侧耳机上的降噪按钮也控制此功能，按钮位置见图2。

功能	使用方法
开启环境音传导	按下降噪按钮，保持2秒。
禁用环境音传导	启用环境音后，按住或按一下降噪按钮2秒，耳机将回到之前的降噪模式。

您可以通过Bowers & Wilkins Headphones App进一步按需要定制环境音传导功能。

### 3.3 佩戴传感器

PX7耳机集成了我们最新的增强型佩戴检测传感器，如图4所示，从头上取下耳机时，耳机自动进入待机状态；启动智能电池节能；再次带上后，PX7自动唤醒并连接到上一个曾连接的蓝牙设备。

在媒体播放时，取下任何一侧的耳机，PX7将自动暂停；而再次戴上耳机后，播放将自动恢复。经过进一步优化，自动恢复功能将在您准备好时才会启动，而在以下情况下，耳机将不会恢复播放：

1. 耳机从关闭状态开启
2. 耳机从待机状态唤醒
3. 耳机重新启动（如恢复出厂设置后）

佩戴传感器和待机状态可以通过Bowers & Wilkins Headphones App调整。

*注意：请在佩戴耳机时小心避免头发或饰品被夹在耳朵和耳机之间；因佩戴眼镜而扭曲耳朵轮廓可能会影响近距离传感器的性能。*



图4：  
佩戴传感器位置

## 4. 充电和节电

新开箱的PX7耳机存有余电，可立即使用。但为了达到最佳效果，我们建议您在首次使用前让耳机充电3小时，充电期间，耳机仍可使用。

充电时：

1. 请使用随附的充电线，将USB-A插头连接到壁式充电器或使用中的电脑USB-A接口。
2. 然后，将USB-C接口连接到耳机USB-C接口。

**注意：**充电时，耳机指示灯闪烁绿光；充满电时，指示灯将持续亮起。有关状态指示器的详细信息请参见图3。

### 4.1 待机省电模式

PX7佩戴检测传感器具有智能省电功能。摘下耳机时，PX7自动进入待机状态，暂停媒体播放，断开蓝牙，切换到低功耗状态。

再次戴上时，PX7将唤醒并连接到上一次连接的蓝牙源。注意，两边耳机必须检测佩戴情况，确保正常使用。如所用的应用程序禁用佩戴传感器，该功能也将被禁用。

该应用可以定制耳机的等待时长，然后切换到自动待机，请参阅应用程序中“设置”（Settings）下的“待机定时器”（Standby Timer）。

## 5. 佩戴耳机

正确佩戴耳机将有助于确保最佳体验，参见图6。

1. 通过位于两侧耳机内部的识别图例分清左、右耳机。
2. 戴上耳机，调整头带，直至舒服地佩戴在头上。

**注意：**因佩戴眼镜而扭曲耳朵轮廓可能会影响耳机性能。同样，夹于耳朵与耳机之间的头发也可能干扰佩戴传感器的性能。

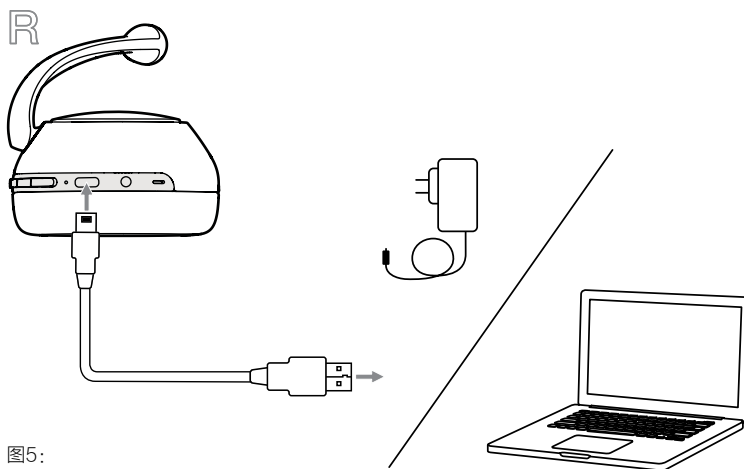


图5：  
USB-C线连接

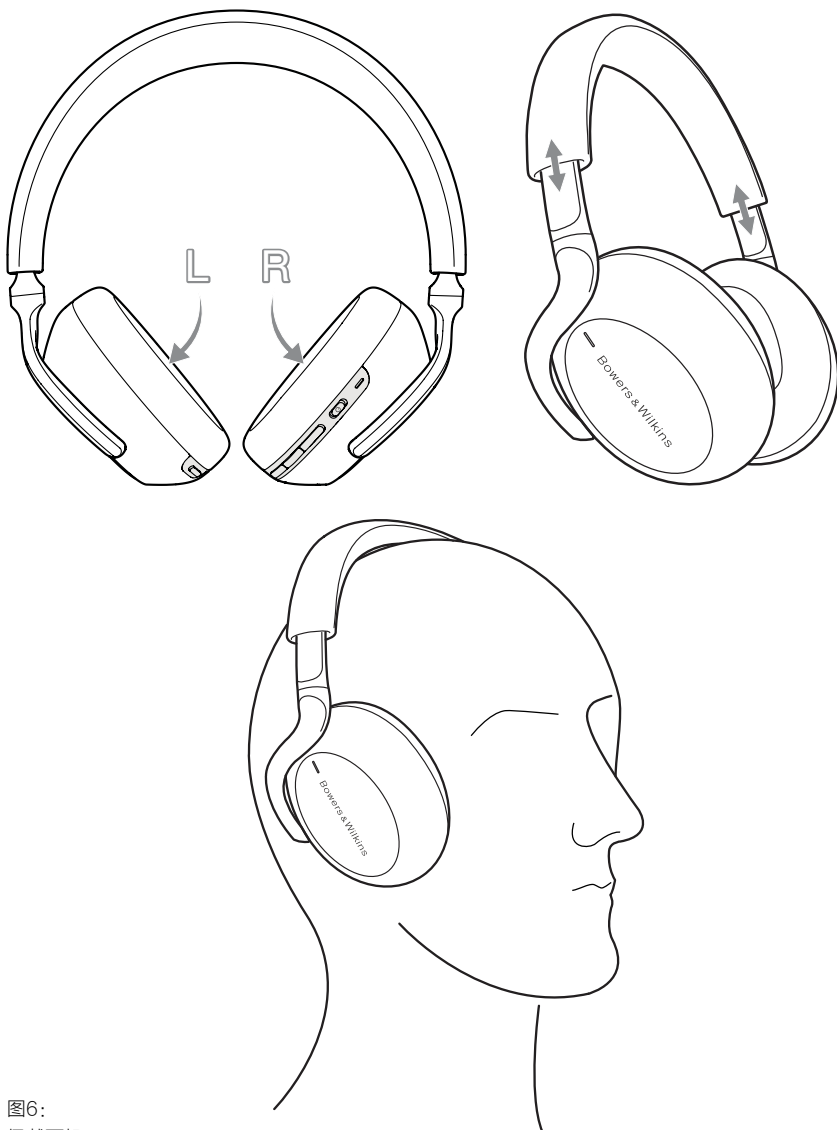


图6：  
佩戴耳机

## 6. 蓝牙连接

### 6.1 配对

PX7专为通过蓝牙音频设备（如：智能手机、平板电脑或个人电脑）无线播放媒体而设计。为此，耳机与设备（媒体源）必须首先配对。

1. 首次开启耳机时，蓝牙配对模式将自动开启，指示灯闪烁蓝光。如未启用配对模式，请将电源开关滑至上方（蓝牙图标）位置，保持5秒，当指示灯闪烁蓝光及发出提示音时松开。
2. 确保在音频设备上启用蓝牙功能，PX7将出现在发现列表中，选择它进行配对。
3. 在配对过程中，指示灯闪烁蓝光，配对成功时，指示灯会常亮蓝光并发出提示音。

本耳机最多可记录八个已配对的蓝牙设备；重复上述步骤可配对更多设备。

**注意：**5分钟内，如无设备配对，耳机将自动退出蓝牙配对模式。如配对失败，指示灯将快速闪烁蓝光，请重新配对。

### 6.2 多个蓝牙连接

PX7可以同时连接两个设备，但请注意，一次只能播放音频或接听一个设备的电话。

在两个设备之间切换：

1. 暂停第一个设备上的音频，或使用PX7多功能按钮。
2. 从第二个设备播放音频，耳机切换播放设备。

播放音频时，如接听第二个设备的来电，播放自动暂停，将来电自动发送至耳机。来电结束。自动恢复第一个设备的播放。

### 6.3 断开设备

连续两次将电源开关滑动到上方（蓝牙图标），可以快速断开PX7与设备的连接，此时可听到提示音，表示成功断开。

您还可以通过Bowers & Wilkins Headphones应用内的“连接”部分内，进一步管理连接。

### 6.4 利用应用设置耳机

Bowers & Wilkins Headphones应用程序支持进一步设置和调节各种功能，如：自适应降噪、环境音传导和佩戴传感器。该应用还提供更多自定义功能，如：语音提示、待机时间、连接管理和耳机软件更新。该应用程序可以在iOS和Android设备上免费下载。

添加耳机：

1. 在移动设备上下载并安装Bowers & Wilkins Headphones应用程序。
2. 启动应用程序，并阅读和遵循应用程序通知和权限的有关说明。
3. 点击主屏幕上的“+”，按照应用内的说明逐步操作即可。

### 6.5 耳机软件更新

Bowers & Wilkins将不时提供软件更新，以优化耳机性能或添加新功能。

Bowers & Wilkins Headphones应用程序将在软件更新可用时发送通知，点击通知，遵循应用程序内的说明即可更新。

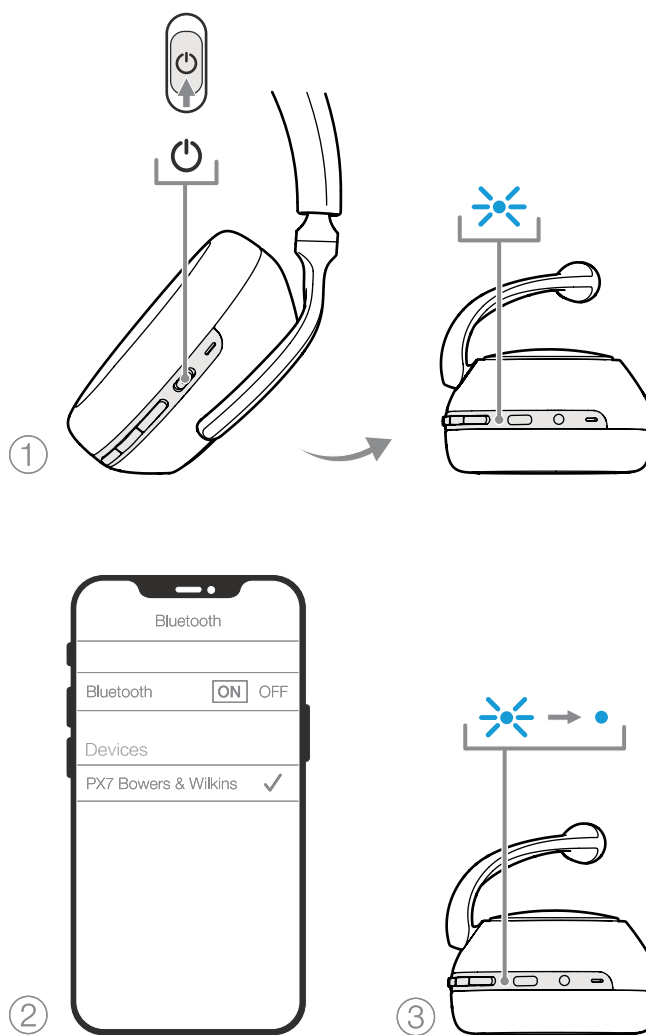


图7：  
蓝牙配对

## 7. 辅助连接

除了蓝牙，PX7还可以使用随附的3.5mm音频线或USB线连接音频源。

### 7.1 采用3.5mm音频线连接

通过3.5mm音频线，PX7可以与支持模拟输出的设备一起使用，如智能手机或平板电脑上的传统耳机插座，或传统的高保真系统（参见图8）。

1. 将3.5mm音频线插入右侧耳机的3.5mm插口
2. 将另一端插入设备上的对应插座
3. PX7自动断开蓝牙设备

**注意：**必须有足够的电量，耳机才能正常启动并从模拟源设备播放音频。使用3.5mm接口时，音量和播放/暂停按钮将停止工作。

### 7.2 采用USB线连接

当连接到适合的电脑时，USB连接线将支持PX7作为USB声音输出设备使用。

1. 将USB-C端插入右耳机上的PX7 USB-C插口
2. 将USB Type A端插入电脑的对应该插口
3. PX7将自动断开与蓝牙设备的连接
4. 在电脑的音频输出控制面板中找到并选择耳机

**注意：**当连接合适的电脑USB端口时，耳机电池也会充电。

## 8. 关机重启和复位

### 8.1 关机重启

PX7可以关机后重启，同时按住音量+和音量-按钮10秒，直到指示灯LED熄灭，当指示灯再次亮起时松开。重新启动耳机不会复位其内部设置或清除配对设备的历史记录。

### 8.2 恢复默认设置

您可以清除已配对设备的历史记录，并将所有设置恢复到默认值。开启PX7电源，同时按住音量+、音量-和降噪按钮10秒，直到指示灯LED熄灭，当指示灯再次亮起时松开，现在耳机已准备好与设备配对。另外，也可以从Bowers & Wilkins Headphones应用程序复位耳机，请参阅应用程序中“设置”下的“复位”（Reset）。

## 9. 护理和维护

### 9.1 PX7的保存方法

妥善保管PX7耳机能够确保始终如一的最佳性能和体验。

当耳机闲置时，请将耳机装入附带的收纳盒中并先关闭耳机：

1. 缩回头带两侧，直至最小位置。
2. 让按钮朝向您，将耳机向内旋转，将其平放。
3. 将耳机放入收纳盒。

## 9.2 如何清洁PX7

请使用湿润的微纤维软布轻轻地擦拭或轻扫干净PX7。

PX7上的织物经过特殊的防潮防污处理。如织物表面积有污垢、污迹或纤维残渣，请按上述指示清洗。

- 不要用力摩擦或使用磨具清洁，特别是织物部分。
- 不要使用擦手纸、餐巾或纸巾，因为它们会留下残留物。
- 不要使用清洁剂、肥皂水、指甲油或化学清洁剂。
- 切忌不要使水分进入耳机、按钮和接口端口。

## 10. 客户支援

如需进一步的帮助或建议，请访问本耳机的技术支持网站：[www.bowerswilkins.com/support](http://www.bowerswilkins.com/support)。

### 环保信息

本产品符合国际指令，包括但不限于电气电子设备中限制使用某些有害物质（RoHS），欧盟化学品的注册、评估、授权和限制（REACH）法规，报废电子电气设备指令（WEEE）。请咨询当地废物处理当局如何有效地回收或处置这些产品。

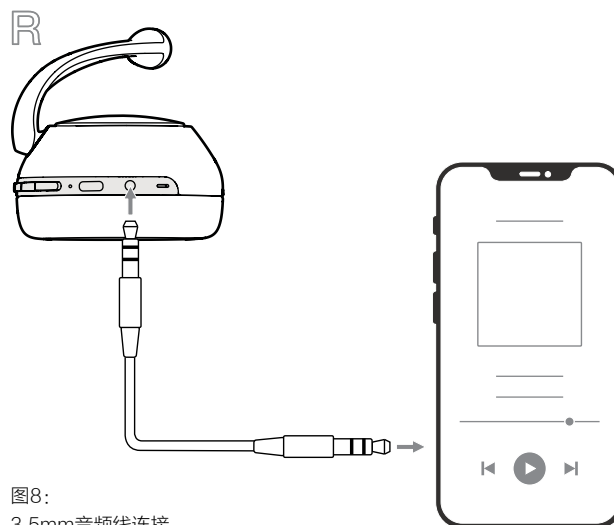


图8：  
3.5mm音频线连接

**规格**

佩戴方式	蓝牙无线耳罩式耳机
技术特点	自适应降噪 环境音传导 佩戴探测传感器 Bluetooth®音频- Bluetooth 5.0与aptX™ Adaptive USB-C充电和音频接口 3.5mm辅助音频接口
蓝牙编解码器	aptX™ Adaptive aptX™ HD aptX™ Classic AAC SBC
蓝牙配置总则	A2DP v1.3.1 AVRCP v1.6.1 HFP v1.7.1 HSP v1.2 BLE GATT (通用属性配置总则)
驱动单元	2 x ø 43.6mm全频
麦克风	4个麦克风用于ANC 2个麦克风用于电话 (CVC2 - Clear Voice Communication v2)
频率范围	10Hz至30kHz
输入抗组	20 kOhms
失真 (THD)	<0.3% (1kHz/10mW)
电池类型	可充电锂聚合物
电池寿命和充电	蓝牙降噪模式, 30小时; 充电15分钟, 可使用5小时
输入	蓝牙, 3.5mm耳机插座, USB-C音频
配件	1.2m立体声音频线, 1.2m USB-A至USB-C线, 收纳盒
重量	310克

## 歡迎使用Bowers & Wilkins產品和PX7無線耳機

感謝您選擇Bowers & Wilkins。John Bowers在創建本公司伊始就堅信富有想象力的設計理念、創新工程和先進技術是開啓家庭音響樂趣的鑰匙。如今，我們繼續秉持和分享這種信念，並以此激發我們設計每一款產品，量身定制家庭以外的音響新體驗。

Bowers & Wilkins PX7是一款高性能耳罩式耳機，專為頂級移動個人音頻體驗所打造，同時具備無線操作的便利性和出色的降噪功能。本產品手冊將介紹PX7耳機的最佳使用方法，以獲得非凡性能。

PX7可以通過藍牙無線播放手機、平板電腦或電腦上的音樂，也可以使用音頻線，常規連接到合適的模擬耳機輸出。PX7還可以使用USB線連接計算機播放音頻，也能用於無線電話通話。

PX7聆聽真實世界的（Real World Listening）功能包括我們在自適應降噪（Adaptative Noise Cancellation）、環境音傳導（Ambient Pass-Through）和增強型佩戴傳感（Wear Sensing）技術領域的最新創新技術。我們率先獨創了新一代降噪功能，現已具備智能環境感知能力，自動挑選最適合周圍環境的降噪類型，只為確保完美無瑕的聽音體驗。環境音傳導技術可在無需摘下耳機的情況下清晰地聽到外部聲音，如：交談或安全通知。佩戴傳感功能賦予PX7自然響應的能力，只需將耳機戴上或取下即可暫停和恢復播放音樂。您可以通過Bowers & Wilkins Headphone App應用程序在iOS和Android設備上啓用及定制這些功能。

PX7配備可充電電池組。充滿電後，根據藍牙、自適應降噪、環境音的使用程度，在平均播放音量水平上啓用降噪功能，電池組最長可連續30小時無線串流媒體播放。

## 1. PX7裝箱清單

PX7耳機  
收納盒  
USB-C充電線  
3.5m音頻線  
隨附文件

## 2. PX7簡介

### 2.1 耳機電源開關

圖1顯示電源開關的功能

#### 開啓

電源開關位於右側耳機。將電源開關滑到中間位置，系統會發出提示音，LED指示燈亮起，綠色、黃色或紅色分別表示當前的電量水平。

#### 關閉

將電源開關滑到底部位置，將發出聲音提示。當LED指示燈不再亮起時，耳機電源將關閉。

### 2.2 耳機控制

圖2顯示耳機控制方法，右側耳機上的按鈕用於媒體播放：

功能	使用方法
播放或暫停	按一下多功能按鈕
下一首	連續快速按兩下多功能按鈕。 注：該功能取決於音源設備。
上一首	連續快速按三下多功能按鈕。 注：該功能取決於音源設備。
增加音量	按音量+按鈕。
降低音量	按音量-按鈕。

右耳机上的下列按鈕用于通话功能：

功能	使用方法
應答或結束來電	按一次多功能按鈕
接聽來電	來電時，按一次多功能按鈕。
拒接來電	來電時，按住多功能按鈕，保持2秒。
在兩個來電之間切換	接通兩個來電後，按兩下多功能按鈕。
合併兩個來電	接通兩個來電後，按住多功能按鈕，保持1秒。
切換靜音	打電話時，按多功能鍵三次。

### 2.3 狀態指示燈

狀態LED指示燈位於右側耳機，圖3顯示了燈光顏色說明。

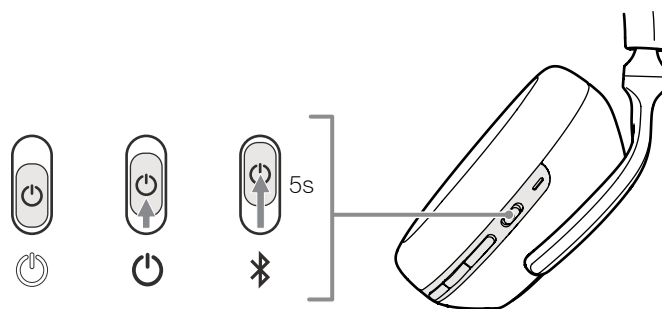


圖1：  
電源開關功能



圖2：  
耳机控制

燈光顏色	運行狀態
白光	電量>30%
黃光	電量在30%至10%之間
紅光	電量<10%
紅光閃爍	電量不足以運行耳機
藍光閃爍	配對模式已啓用
藍光（常量2秒）	配對成功
藍光閃爍（來電）	來電
綠光閃爍	快速充電
綠光常量	電池充滿，滴流充電

圖3：  
狀態指示燈顏色



### 3. 智能功能

#### 3.1 自適應降噪

降噪採用了一系列先進技術，用於消除周圍環境中的噪聲。

PX7採用我們最新的创新型自適應降噪技術，包括配合降噪和調節的智能感應，從而完美契合周圍環境。降噪功能可隨環境變化自動適應新環境。

左側耳機的降噪按鈕用於在以下模式之間循環，按鈕位置見圖2：

模式	用途
高	適用於飛機機艙等持續嘈雜的環境。
低	適合您必須意識周圍環境之時。
自動	智能地自適應降噪，以符合當時四周環境。
關	關閉降噪功能。

#### 3.2 環境音傳導

PX7耳機具備環境音傳導功能，從而無需摘下耳機就可聽到一些外部環境聲音，如：安全通知或談話。

左側耳機上的降噪按鈕也控制此功能，按鈕位置見圖2。

功能	使用方法
開啓環境音傳導	按下降噪按鈕，保持2秒。
禁用環境音傳導	啓用環境音後，按住或按一下降噪按鈕2秒，耳機將回到之前的降噪模式。

您可以通過Bowers & Wilkins Headphones App進一步按需要定制環境音傳導功能。

### 3.3 佩戴傳感器

PX7耳機集成了我們最新的增強型佩戴檢測傳感器，如圖4所示，從頭上取下耳機時，耳機自動進入待機狀態，啓動智能電池節能；再次帶上後，PX7自動喚醒並連接到上一個曾連接的藍牙設備。

在媒體播放時，取下任何一側的耳機，PX7將自動暫停；而再次戴上耳機後，播放將自動恢復。經過進一步優化，自動恢復功能將在您準備好時才會啓動，而在以下情況下，耳機將不會恢復播放：

1. 耳機從關閉狀態開啓
2. 耳機從待機狀態喚醒
3. 耳機重新啓動（如恢復出廠設置後）

佩戴傳感器和待機狀態可以通過Bowers & Wilkins Headphones App調整。

*注意：請在佩戴耳機時小心避免頭髮或飾品被夾在耳朵和耳機之間；因佩戴眼鏡而扭曲耳朵輪廓可能會影響近距離傳感器的性能。*



圖4：  
佩戴傳感器位置

## 4. 充電和節電

新開箱的PX7耳機存有餘電，可立即使用。但為了達到最佳效果，我們建議您在首次使用前讓耳機充電3小時，充電期間，耳機仍可使用。

充電時：

1. 請使用隨附的充電線，將USB-A插頭連接到壁式充電器或使用中的電腦USB-A接口。
2. 然後，將USB-C接口連接到耳機USB-C接口。

**注意：**充電時，耳機指示燈閃爍綠光；充滿電時，指示燈將持續亮起。有關狀態指示器的詳細信息請參見圖3。

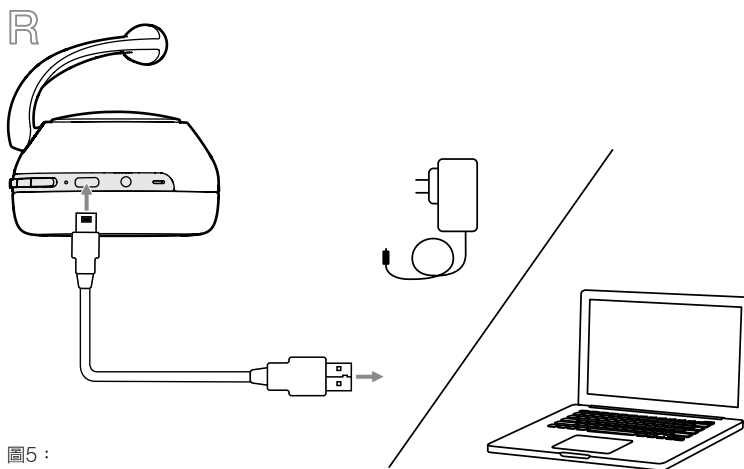


圖5：  
USB-C線連接

### 4.1 待機省電模式

PX7佩戴檢測傳感器具有智能省電功能。摘下耳機時，PX7自動進入待機狀態，暫停媒體播放，斷開藍牙，切換到低功耗狀態。

再次戴上時，PX7將喚醒並連接到上一次連接的藍牙源。注意，兩邊耳機必須檢測佩戴情況，確保正常使用。如所用的應用程序禁用佩戴傳感器，該功能也將被禁用。

該應用可以定制耳機的等待時長，然後切換到自動待機，請參閱應用程序中「設置」(Settings)下的「待機定時器」(Standby Timer)。

## 5. 佩戴耳機

正確佩戴耳機將有助於確保最佳體驗，參見圖6。

1. 通過位於兩側耳機內部的識別圖例分清左、右耳機。
2. 戴上耳機，調整頭帶，直至舒服地佩戴在頭上。

**注意：**因佩戴眼鏡而扭曲耳朵輪廓可能會影響耳機性能。同樣，夾於耳朵與耳機之間的頭髮也可能干擾佩戴傳感器的性能。

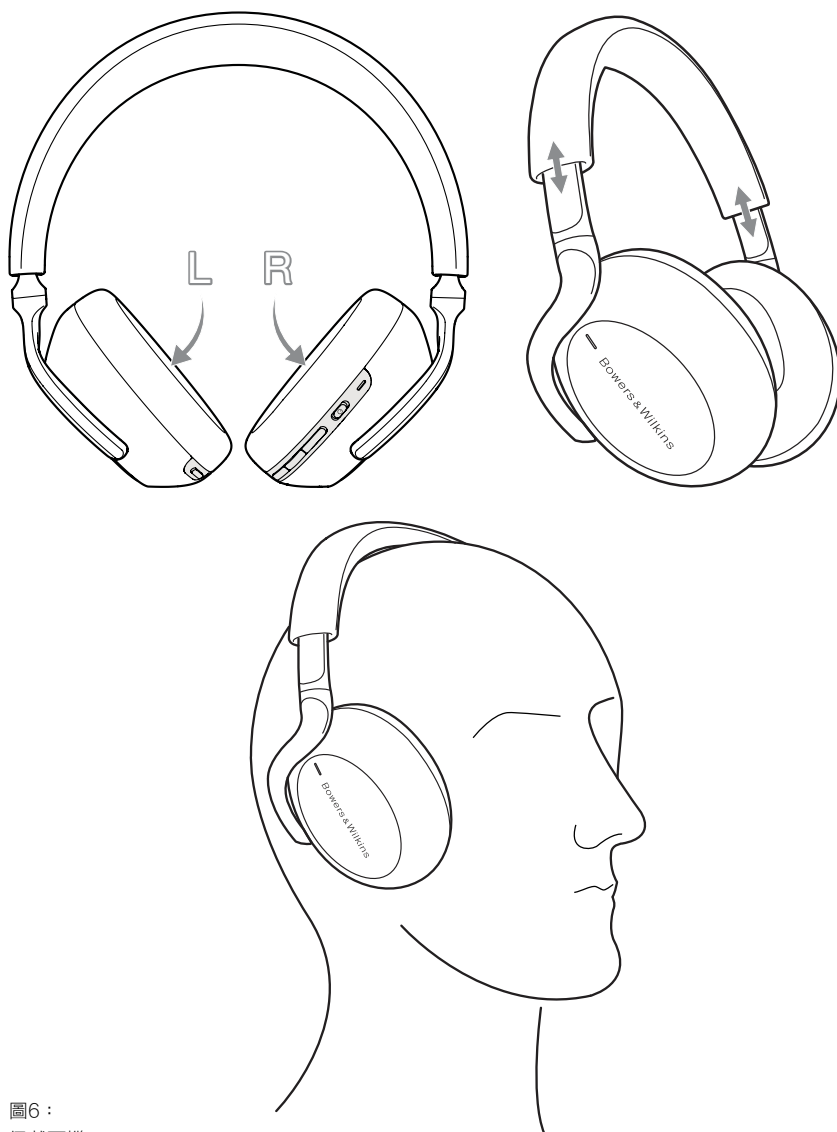


圖6：  
佩戴耳機

## 6. 藍牙連接

### 6.1 配對

PX7專為通過藍牙音頻設備（如：智能手機、平板電腦或個人電腦）無線播放媒體而設計。為此，耳機與設備（媒體源）必須首先配對。

1. 首次開啓耳機時，藍牙配對模式將自動開啓，指示燈閃爍藍光。如未啓用配對模式，請將電源開關滑至上方（藍牙圖標）位置，保持5秒，當指示燈閃爍藍光及發出提示音時鬆開。
2. 確保在音頻設備上啓用藍牙功能，PX7將出現在發現列表中，選擇它進行配對。
3. 在配對過程中，指示燈閃爍藍光，配對成功時，指示燈會常亮藍光併發出提示音。

本耳機最多可記錄八個已配對的藍牙設備；重復上述步驟可配對更多設備。

**注意：**5分鐘內，如無設備配對，耳機將自動退出藍牙配對模式。如配對失敗，指示燈將快速閃爍藍光，請重新配對。

### 6.2 多個藍牙連接

PX7可以同時連接兩個設備，但請注意，一次只能播放音頻或接聽一個設備的電話。

在兩個設備之間切換：

1. 暫停第一個設備上的音頻，或使用PX7多功能按鈕。
2. 從第二個設備播放音頻，耳機切換播放設備。

播放音頻時，如接聽第二個設備的來電，播放自動暫停，將來電自動發送至耳機。來電結束。自動恢復第一個設備的播放。

### 6.3 斷開設備

連續兩次將電源開關滑動到上方（藍牙圖標），可以快速斷開PX7與設備的連接，此時可聽到提示音，表示成功斷開。

您還可以通過Bowers & Wilkins Headphones應用內的「連接」部分內，進一步管理連接。

### 6.4 利用應用設置耳機

Bowers & Wilkins Headphones應用程序支持進一步設置和調節各種功能，如：自適應降噪、環境音傳導和佩戴傳感器。該應用還提供更多自定義功能，如：語音提示、待機時間、連接管理和耳機軟件更新。該應用程序可以在iOS和Android設備上免費下載。

添加耳機：

1. 在移動設備上下載並安裝Bowers & Wilkins Headphones應用程序。
2. 啓動應用程序，並閱讀和遵循應用程序通知和權限的有關說明。
3. 點擊主屏幕上的「+」，按照應用內的說明逐步操作即可。

### 6.5 耳機軟件更新

Bowers & Wilkins將不時提供軟件更新，以優化耳機性能或添加新功能。

Bowers & Wilkins Headphones應用程序將在軟件更新可用時發送通知，點擊通知，遵循應用程序內的說明即可更新。

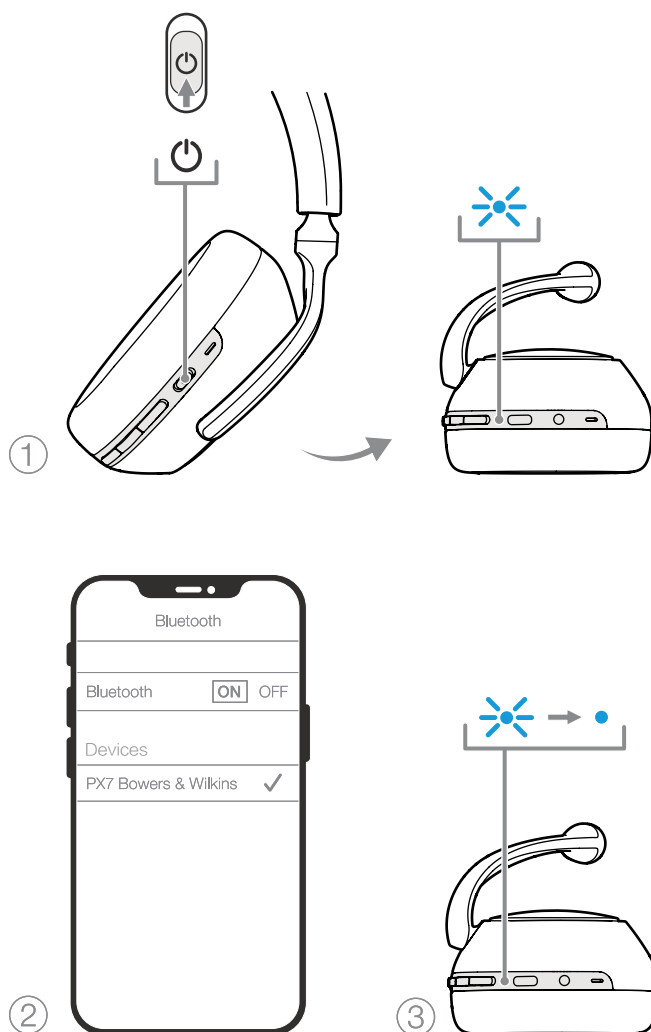


圖7：  
藍牙配對

## 7. 輔助連接

除了藍牙，PX7還可以使用隨附的3.5mm音頻線或USB線連接音頻源。

### 7.1 採用3.5mm音頻線連接

通過3.5mm音頻線，PX7可以與支持模擬輸出的設備一起使用，如智能手機或平板電腦上的傳統耳機插座，或傳統的高保真系統（參見圖8）。

1. 將3.5mm音頻線插入右側耳機的3.5mm插口
2. 將另一端插入設備上的對應插座
3. PX7自動斷開藍牙設備

*注意：必須有足夠的電量，耳機才能正常啟動並從模擬源設備播放音頻。使用3.5mm接口時，音量和播放/暫停按鈕將停止工作。*

### 7.2 採用USB線連接

當連接到適合的電腦時，USB連接線將支持PX7作為USB聲音輸出設備使用。

1. 將USB-C端插入右耳機上的PX7 USB-C插口
2. 將USB Type A端插入電腦的對應插口
3. PX7將自動斷開與藍牙設備的連接
4. 在電腦的音頻輸出控制面板中找到並選擇耳機

*注意：當連接合適的電腦USB端口時，耳機電池也會充電。*

## 8. 關機重啓和復位

### 8.1 關機重啓

PX7可以關機後重啓，同時按住音量+和音量-按鈕10秒，直到指示燈LED熄滅，當指示燈再次亮起時松開。重新啓動耳機不會復位其內部設置或清除配對設備的歷史記錄。

### 8.2 恢復默認設置

您可以清除已配對設備的歷史記錄，並將所有設置恢復到默認值。開啓PX7電源，同時按住音量+、音量-和降噪按鈕10秒，直到指示燈LED熄滅，當指示燈再次亮起時松開，現在耳機已準備好與設備配對。另外，也可以從Bowers & Wilkins Headphones應用程序復位耳機，請參閱應用程序中「設置」下的「復位」（Reset）。

## 9. 護理和維護

### 9.1 PX7的保存方法

妥善保管PX7耳機能夠確保始終如一的最佳性能和體驗。

當耳機閒置時，請將耳機裝入附帶的收納盒中並先關閉耳機：

1. 縮回頭帶兩側，直至最小位置。
2. 讓按鈕朝向您，將耳機向內旋轉，將其平放。
3. 將耳機放入收納盒。

## 9.2 如何清潔PX7

請使用濕潤的微纖維軟布輕輕地擦拭或輕掃乾淨PX7。

PX7上的織物經過特殊的防潮防污處理。如織物表面積有污垢、污跡或纖維殘渣，請按上述指示清洗。

- 不要用力摩擦或使用磨具清潔，特別是織物部分。
- 不要使用擦手紙、餐巾或紙巾，因為它們會留下殘留物。
- 不要使用清潔劑、肥皂水、指甲油或化學清潔劑。
- 切忌不要使水分進入耳機、按鈕和接口端口。

## 10. 客戶支援

如需進一步的幫助或建議，請訪問本耳機的技術支援網站：[www.bowerswilkins.com/support](http://www.bowerswilkins.com/support)。

### 環保信息

本產品符合國際指令，包括但不限於電氣電子設備中限制使用某些有害物質（RoHS），歐盟化學品的註冊、評估、授權和限制（REACH）法規，報廢電子電氣設備指令（WEEE）。請諮詢當地廢物處理當局如何有效地回收或處置這些產品。

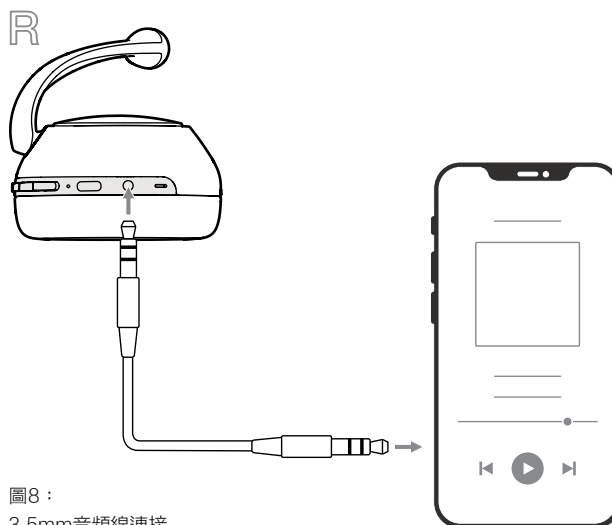


圖8：  
3.5mm音頻線連接

**規格**

佩戴方式	藍牙無線耳罩式耳機
技術特點	自適應降噪 環境音傳導 佩戴探測傳感器 Bluetooth®音頻- Bluetooth 5.0與aptX™ Adaptive USB-C充電和音頻接口 3.5mm輔助音頻接口
藍牙編解碼器	aptX™ Adaptive aptX™ HD aptX™ Classic AAC SBC
藍牙配置總則	A2DP v1.3.1 AVRCP v1.6.1 HFP v1.7.1 HSP v1.2 BLE GATT (通用屬性配置總則)
驅動單元	2 x ø 43.6mm全頻
麥克風	4個麥克風用於ANC 2個麥克風用於電話 (CVC2 - Clear Voice Communication v2)
頻率範圍	10Hz至30kHz
輸入抗組	20 kOhms
失真 (THD)	<0.3% (1kHz/10mW)
電池類型	可充電鋰聚合物
電池壽命和充電	藍牙降噪模式，30小時；充電15分鐘，可使用5小時
輸入	藍牙，3.5mm耳機插座，USB-C音頻
配件	1.2m立體聲音頻線，1.2m USB-A至USB-C線，收納盒
重量	310克

## Bowers & WilkinsとPX7へようこそ

Bowers & Wilkinsの製品をご購入いただきありがとうございます。ジョン・バウワーズが最初に会社を設立したとき、想像力に富んだデザイン、革新的なエンジニアリング、そして先端技術が家庭でのオーディオの楽しみを解き放つ鍵であると信じていました。

そして我々はバウワーズの信念を継承しヘッドフォンにもそのエッセンスを踏襲させ、外出先でも新しいオーディオ体験をしていただけるよう開発しました。

Bowers & WilkinsのPX7は、ワイヤレス仕様の利便性とノイズ・キャンセリング機能による静粛性を兼ね備えた最高品質のモバイル・パーソナル・オーディオ体験をお楽しみいただけますように設計された高性能オーバー・イヤータイプのヘッドフォンです。

本取扱説明書には、PX7ヘッドフォンを最大限に活用していただくために必要な情報が記載されています。

PX7は、Bluetoothを介してスマートフォンやタブレット、またはコンピュータからワイヤレスでストリーミングされた音楽を再生したり、通常のケーブルを使って従来のアナログヘッドフォンとして音楽を再生することも可能です。

PX7には、ノイズ・キャンセリング機能、音声パススルー、および着脱感知センサーなどの最新の技術を使った機能が採用されています。Bowers & Wilkinsの最新世代ノイズ・キャンセリング機能は、自動制御の環境探知機能を搭載して設計されており、周囲の環境に合わせ最適にノイズ除去を行います。本機能の目的は、外出先でも最高のリスニング体験を提供することです。音声パススルー機能を使用すると、会話や安全アナウンスなどの外部音は、ヘッドフォンを取り外すことなく明瞭に聞くことができます。着脱感知センサー機能は、PX7のイヤークップを手で耳から少し外すことで、センサーが感知し音楽を一時停止したり再開したりします。これらの機能は、iOSおよびAndroidデバイスに無料で利用できるBowers & Wilkinsのヘッドフォン専用アプリ(Bowers & Wilkins Headphone)を使って設定・カスタマイズすることができます。

PX7がフル充電されている状態であれば、Bluetoothやノイズ・キャンセリング機能および音声パススルー機能の使用の状態にもよりますが、平均的な再生音量レベル使用した場合、最大30時間の連続再生を可能にしています。

## 1. PX7同梱付属品

PX7ヘッドフォン  
 収納ケース  
 USB-C充電ケーブル  
 3.5 mmオーディオケーブル  
 取扱説明書

## 2. PX7の操作方法

### 2.1 ヘッドフォンの電源オン/オフの切り替え

図1は、電源スイッチの機能を示しています。

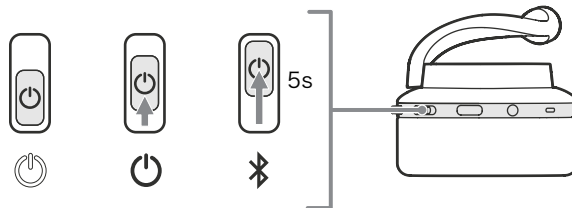


図1  
電源スイッチの機能

#### 電源スイッチをオンにする

電源スイッチは右 (R) のイヤークップ部にあります。電源スイッチを中央の位置までスライドさせると、合図の音が聞こえ、LED表示灯が緑色、オレンジ色、または赤色に点灯します。色はその時の充電レベルを示しています。

#### 電源スイッチをオフにする

電源スイッチを下の位置にスライドさせます。合図の音が聞こえると、ヘッドフォンの電源が切れ、LED表示灯が消えます。

### 2.2 再生方法

図2は、ヘッドフォンの再生に関する操作ボタンのポジションを示しています。再生には、右のイヤークップ部にあるボタンを次のように操作します。

機能	操作方法
再生又は一時停止	マルチファンクション・ボタンを1回押す。
次曲を再生	マルチファンクション・ボタンを2回素早く連続で押す。注意:機能はソースデバイスによって異なります。
前曲を再生	マルチファンクション・ボタンを3回素早く連続で押す。注意:機能はソースデバイスによって異なります。
音量を上げる	音量「+」ボタンを押す。
音量を下げる	音量「-」ボタンを押す。

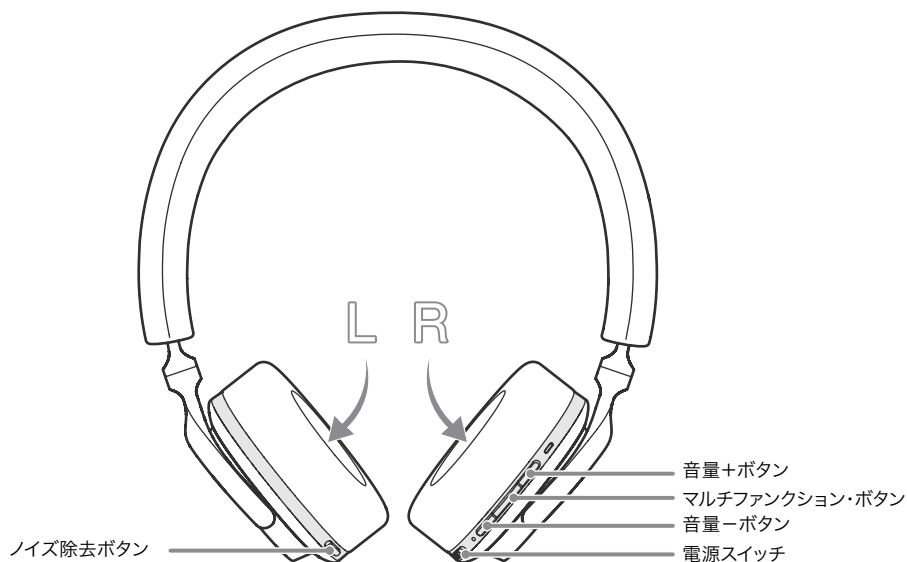


図2  
ヘッドフォン制御

右のイヤークップ部にあるボタンを以下のように操作して電話をかけます。

機能	操作方法
電話に出る/切る	マルチファンクション・ボタンを1回押す。
電話に応答する	電話がかかってきたら、マルチファンクション・ボタンを1回押す。
電話を拒否する	電話がかかってきたら、マルチファンクション・ボタンを2秒長押しする。
2つの通話を切り替える	2つの通話をアクティブにして、マルチファンクション・ボタンを2回押す。
2つの通話を結合	2つの通話をアクティブにして、マルチファンクション・ボタンを1秒間長押しする。
ミュートの切替え	通話中にマルチファンクション・ボタンを3回押す。

### 2.3 状況を示す表示灯

状態を示すLED表示灯は右のイヤークップ部にあります。図3に各色の表示灯の説明を示しています。

LEDの色	状態
白	バッテリー残量: 30%以上
オレンジ色	バッテリー残量: 30%~10%
赤	バッテリー残量: 10%以下
赤点滅	電池残量不足でヘッドフォン動作不可
青点滅	ペアリングモードが有効
青(2秒点灯)	ペアリングが成功
青色点滅(呼出音)	着信
緑点滅	急速充電中
緑色点灯	フル充電状態もしくは充電中

図3  
状況を示すLED



### 3 最先端機能

#### 3.1 環境適応型ノイズ・キャンセリング機能

ノイズ・キャンセリング機能とは、周囲の騒音やノイズを除去するための先進の機能です。

PX7には、環境適応型ノイズ・キャンセリング技術が搭載されています。これは、周囲の環境に最適なノイズ除去を自動的に行う機能が搭載されています。周囲の環境が変わると、ノイズ・キャンセリング機能が、新しい環境に合わせて自動的に調整します。

左のイヤークップ部のノイズ・キャンセリングボタンは、次のモードを切替えるために使用します。ボタンの位置については、図2を参照してください。

モード	使用環境の一例
高(High)	飛行機の機内など、常に騒がしい環境に適しています。
低(Low)	周囲への配慮が必要な環境に適しています。
自動(Auto)	周囲の環境に最適な状態に自動的に調整します。
オフ(Off)	ノイズ・キャンセリング機能をオフにします。

#### 3.2 音声パススルー

PX7には音声パススルー機能が搭載されており、アナウンスや会話など、周囲の環境音から一部の音だけを選別してヘッドフォンを外さずに聞くことができます。

本機能の設定にも左のイヤークップ部のノイズ・キャンセリングボタンを5使用します。ボタンの位置については、図2を参照してください。

機能	操作方法
音声パススルーを有効にする	ノイズ・キャンセリングボタンを2秒間長押しする。
音声パススルー機能を無効にする	音声パススルー機能が有効になっている場合は、ノイズ・キャンセリングボタンを押下げるか、2秒間長押しすると、その前のノイズ・キャンセリングモードに戻る。

Bowers & Wilkinsのヘッドフォンアプリを使用すると、音声パススルー機能のレベルをニーズに合わせて詳細にカスタマイズできます。

#### 3.3 イヤークップ着脱感知センサー

PX7は、最新の着脱感知センサーを両方のイヤークップに搭載しています(図4参照)ヘッド部を外すと待機(一時停止)状態になり、バッテリー節約が可能になります。PX7を再び装着すると、自動的に待機状態が解除され、最後に接続したBluetoothデバイスに接続されます。

再生中、どちらかのイヤークップを耳から持ち上げると、PX7が自動的に一時停止します。耳に戻すと、自動リジューム機能により再生が再開されます。

次の場合には自動再生しません。

1. ヘッドフォンがオフ状態から電源が入る。
2. ヘッドフォンが待機状態から復帰する。
3. ヘッドフォン再起動後(工場出荷時のリセット後など)。

着脱感知センサーと待機機能はBowers & Wilkinsヘッドフォンアプリを使って設定可能です。

注意:ヘッドフォン装着の際、耳とイヤホンの間に髪の毛やアクセサリが挟まっていたり、正しく眼鏡をかけていない場合、センサーが正しく動作しないことがありますのでご注意ください。



図4  
着脱センサーの位置



#### 4. バッテリーの充電と節電

PX7はお買い上げの時、バッテリーがある程度充電された状態になっているため、すぐにお使いいただけますが、最良の動作状態にするために、ヘッドフォン使用前にフル充電することをお勧めします。フル充電には約3時間かかります。ヘッドフォンは充電中でも使用できます。

充電の手順は、次のとおりです。

1. 付属の充電ケーブルを使用して、USB-Aプラグを壁のコンセント又はコンピュータのUSB-Aソケットに接続します。
2. 次にUSB-Cの端をヘッドフォンUSB-Cソケットに接続します。

注意：充電中LEDは緑色に点滅します。完全に充電されると、点灯状態になります。状況を示すLEDの詳細については、図3を参照してください。

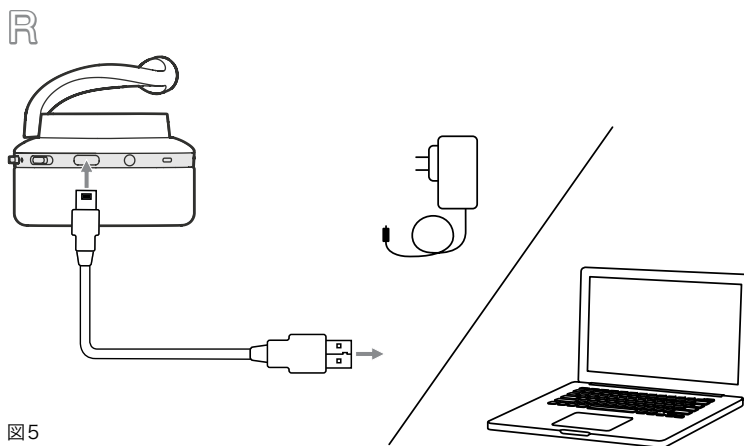


図5  
USB-C ケーブル接続

#### 4.1 待機時の省電力モード

PX7の着脱感知センサーは消費電力を節約します。PX7を頭から取り外すと、自動的に待機状態になり、メディアの再生が一時停止され、Bluetoothが切断され、省電力状態に切り替わります。

再び装着すると、PX7が起動し、最後に接続したBluetoothソースに再接続されます。正しく機能するには両方のイヤークップ部に搭載されたセンサーが着脱を感知する必要があります。アプリを使用して着脱感知センサーを無効に設定するとこの機能は動きません。

専用アプリでは、ヘッドフォンが自動待機に切り替わるまでの待ち時間を設定できます。アプリの設定にある待機タイマーを参照してください。

#### 5.ヘッドフォンを装着する

ヘッドフォンを正しく装着することで、最高の再生が得られます。装着は図6を参照してください。

1. ヘッドフォンの左右を識別するには、イヤークップの内側にL/Rの表示をご確認ください。
2. ヘッドバンドを調整してヘッドフォンを装着し、ヘッドバンドが頭の上で快適に止まるようにします。

注意：眼鏡をかけていると耳の形が歪み、ヘッドフォンの性能が低下することがあります。また耳とヘッドフォンの耳当て部の間に髪の毛が挟まっていると、着脱感知センサー機能が正しく動作しないことがあります。

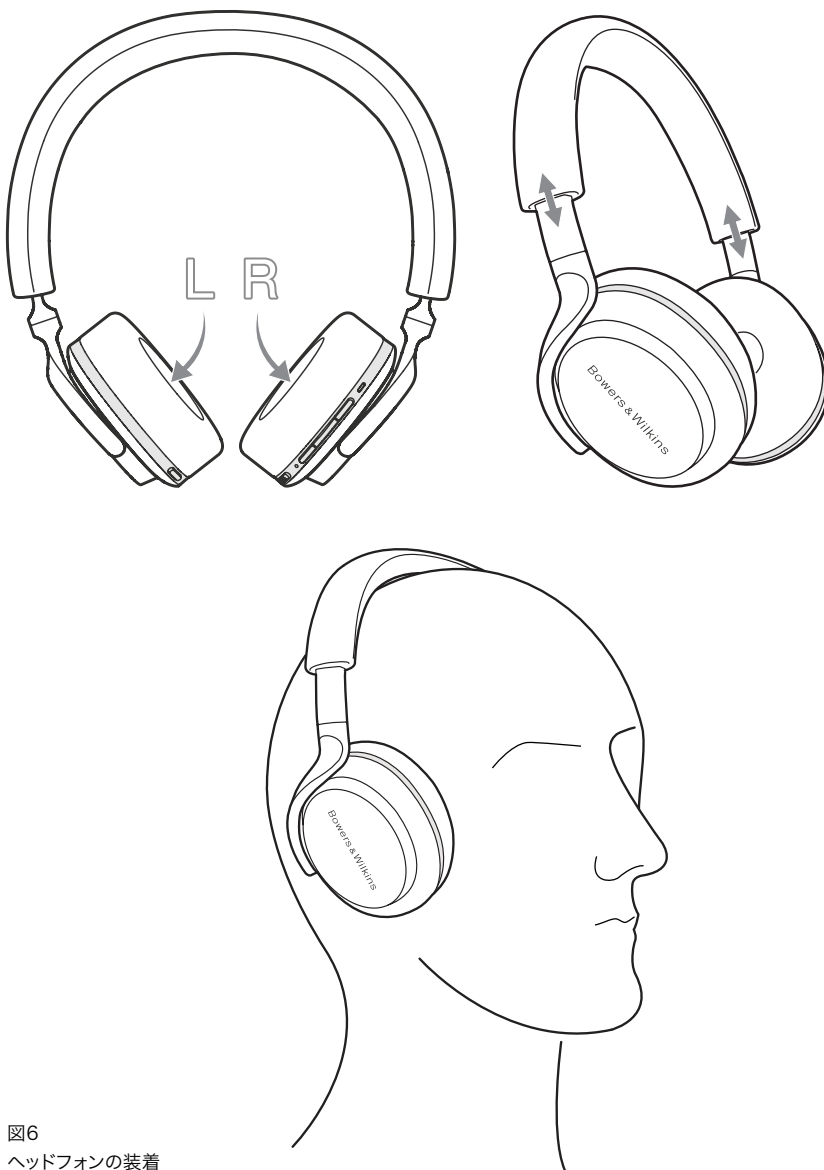


図6  
ヘッドフォンの装着

## 6. ブルートゥース接続

### 6.1 ペアリング

PX7は、スマートフォン、タブレット、パソコンなどのブルートゥースオーディオデバイスからワイヤレスでメディアをストリーミングできるように設計されています。そのため、まずヘッドフォンとデバイス(ソース)をペアリングする必要があります。

1. 初めてヘッドフォンの電源をオンにすると、ブルートゥースペアリングモードが有効になり、LEDが青色に点滅します。ペアリングモードが有効になっていない場合は、電源スイッチを上側(ブルートゥースアイコン)の位置に5秒間スライドさせたままにして、LEDが青に点滅し合図音が出たら放します。
2. ブルートゥース機能がオーディオデバイスで有効になっていることを確認します。検出リストにPX7が表示されるので、選択してペアにします。
3. ペアリング処理中はLEDが青色に点滅し、ペアリングが完了すると点灯に変わり、合図音が聞こえます。

ヘッドフォンは最大8台までのブルートゥースデバイスとのペアリングを記憶することが出来ます。上記の手順を繰り返して、ペアのデバイス増やしてください。

注意:5分以内にペアリングされたデバイスがない場合、ヘッドフォンは自動的にブルートゥースペアリングモードを終了します。ペアリングに失敗すると、LEDがすばやく青色点滅しますので、もう一度ペアリングを試してください。

### 6.2 複数のブルートゥース接続

PX7は最大2台のデバイスを同時に接続できますが、一台のデバイスからは、一度にオーディオ再生と電話を受け取ることができるだけです。ご注意ください。

2つのデバイスの切り替え:

1. 最初のデバイスでオーディオを一時停止するか、PX7多機能ボタンを使用します。
2. 2番目のデバイスからオーディオを再生すると、ヘッドフォンが切り替わります。

オーディオをストリーミングしているとき、2番目のデバイスで電話を受けることで再生が自動的に一時停止され、通話は自動的にヘッドフォンに繋がります。通話を終了すると、自動的に最初のデバイスから再生が開始します。

### 6.3 デバイスからの切断

PX7をデバイスから急いで接続解除するには、電源スイッチを上(ブルートゥースアイコン)の位置にすばやく2回連続でスライドさせると、接続解除が成功したことを示す合図音が聞こえます。

他の方法として、Bowers & Wilkins ヘッドフォン アプリ」を使用して、より詳細な設定をすることもできます。

## 6.4 アプリを使ってヘッドフォンを設定

Bowers & Wilkinsヘッドフォンアプリを使用すると、さらに環境適応型ノイズ・キャンセリング、音声パススルー、着脱感度センサーなどの設定が出来ます。また、音声プロンプト、待機時間、接続管理、ヘッドフォン・ソフトウェアのアップデートなどのカスタマイズも可能です。このアプリはiOSおよびAndroidデバイスから無料でダウンロードできます。

ヘッドフォンを追加するには:

1. モバイルデバイスからBowers & Wilkinsヘッドフォンアプリをダウンロードしてインストールします。
2. アプリを起動し、アプリの通知と許可に関する説明を読み、それに従います。
3. メイン画面に達したら、+をタップし、アプリ内の指示に従います。

## 6.5 ヘッドフォン:ソフトウェアのアップデート

Bowers & Wilkinsでは、ヘッドフォンの性能を改良、動作の最適化、新機能の追加などのため、ソフトウェアアップデートを随時行っています。

Bowers & Wilkins ヘッドフォンアプリは、ソフトウェアのアップデートが利用可能になったときに通知をします。通知をタップして、アプリ内の指示に従います。

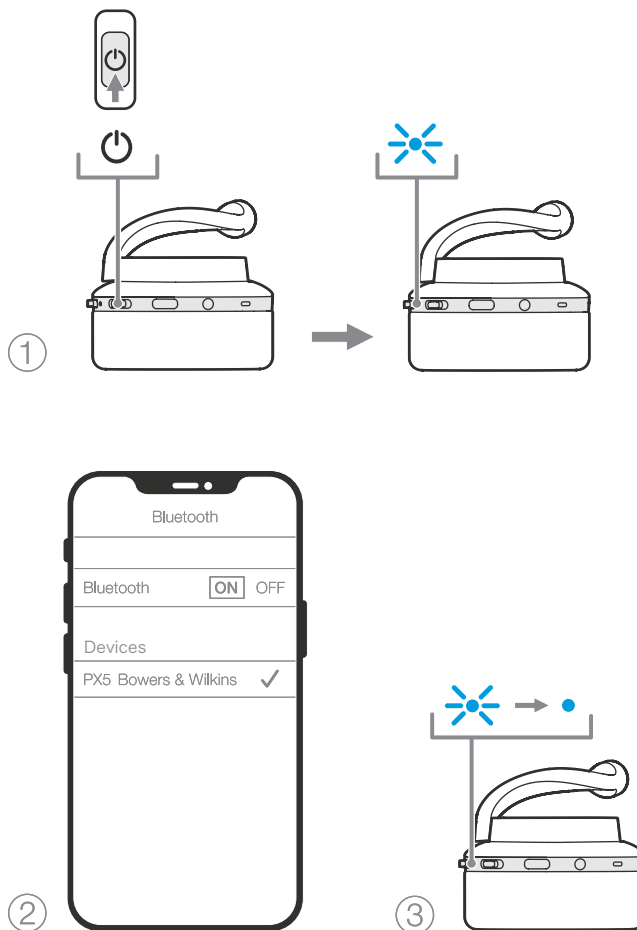


図7  
ブルートゥースペアリング

## 7. 補助接続

Bluetoothの他に、PX7は付属の3.5 mmオーディオケーブルを使用してオーディオソースに接続することもできます。

### 7.1 3.5 mmオーディオケーブルでの接続

3.5mmオーディオケーブルを使用すると、スマートフォンやタブレットの従来のヘッドフォン出力や従来のHi-Fiシステムなど、アナログ出力を持った機器とお使いいただけます。図8を参照してください。

1. 3.5mmオーディオケーブルをヘッドフォンの3.5mm入力端子ソケットに差し込みます。
2. もう一方の端をデバイスのヘッドフォン出力端子に差し込みます。
3. PX7はBluetoothデバイスから自動的に切断されます。

**注意:**アナログソースデバイスからオーディオを再生するには、ヘッドフォンが十分に充電され、電源がオンになっている必要があります。3.5 mmインターフェイスでは、音量ボタン、再生、一時停止ボタンは機能しません。

## 8. 再起動とリセット

### 8.1再起動

LEDが消灯するまで音量「+」ボタンと音量「-」ボタンを同時に10秒間押し続け、LEDが再び点灯したら放すことで、PX7の再起動(電源の入れ直し)をすることができます。ヘッドフォンを再起動しても、設定はリセットされず、デバイスのペアリング履歴も除去されません。

### 8.2 デフォルトにリセット

デバイスのペアリング履歴を除去し、すべての設定を初期設定に戻すことができます。PX7の電源を入れた状態で、音量「+」、音量「-」ボタン、ノイズ・キャンセリングボタンを同時に10秒間押し続け、LEDが消灯し、LEDが再び点灯したら放します。ヘッドフォンはデバイスとペアリングする準備ができます。または、Bowers & Wilkins ヘッドフォンアプリからリセットすることもできます。アプリの「設定・リセット」を参照してください。

## 9. お手入れとメンテナンス

### 9.1 PX7の保管

PX7をお手入れしていただくことで、より長くお使いいただくことが可能となります。

使用しないときは、付属の収納ポーチにヘッドフォンを収納してください。保管中はヘッドフォンの電源を切ることをお勧めします。

1. 両サイドのヘッドバンドを最初の状態(最小の位置)になるようにします。
2. ボタンを手前にして、耳当て部が平らになるように内側に回転させます。
3. ヘッドフォンを収納ケースに入れます。

## 9.2 PX7の掃除

PX7のお手入れは、柔らかく湿ったマイクロファイバーの布で軽く拭いてください。

PX7の表面には湿気や汚れを寄せ付けない特殊コーティングが施されています。表面に汚れやほこり、繊維が付着した場合は、上記の要領で綺麗にしてください。

- ・ 激しく擦ったり、研磨具を使用して、特に布部分を掃除しないでください。
- ・ ペーパータオルやナプキン、ティッシュペーパーなどその一部がヘッドフォンに付着しやすいためお使いにならないでください。
- ・ 洗剤、石けん水、研磨剤、化学洗剤は使用しないでください。
- ・ イヤーカップ、機能ボタン、およびインターフェイスポートの内部に湿気が入らないようにして下さい。

## 10. サポート

PX7に関する詳細な問い合わせやアドバイスが必要な場合は、以下のヘッドフォンサポートサイトにアクセスしてください。[www.bowerswilkins.com/support](http://www.bowerswilkins.com/support)

### 環境情報

本製品は、電気・電子機器に含まれる特定有害物質の使用を禁止するEU指令(RoHS)、化学物質の登録、評価、認可および制限に関するEU規則(REACH)、電気・電子機器廃棄物の処理に関するEU指令(WEEE)などの国際的な指令に準拠しています。この製品の適切なリサイクルまたは処分方法については、廃棄物処理業者にお問い合わせください。

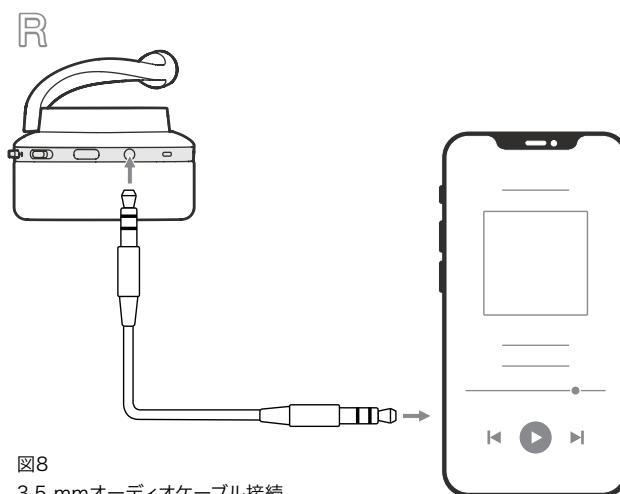


図8  
3.5 mmオーディオケーブル接続

## 仕様

装着スタイル	Bluetooth内蔵ワイヤレス オーバーイヤーヘッドフォン
技術的な特徴	環境対応型ノイズ・キャンセリング機能 音声パススルー イヤークラップ着脱感知センサー Bluetooth®オーディオ-Bluetooth 5.0 (aptX™対応) USB-C充電 3.5 mm補助オーディオインターフェース
Bluetoothコーデック	aptX™適応型 aptX™ HD aptX™クラシック AAC SBC
Bluetoothプロファイル	A2DP v1.3.1 AVRCP v1.6.1 HFPバージョン1.7 .1 HSP v1.2 BLE GATT(汎用属性プロファイル)
ドライブユニット	2xφ43.6 mmフルレンジ
マイク	ノイズ・キャンセリング機能用マイク4本 電話用マイク2本(CVC2-クリアな音声通信v2)
周波数範囲	10Hz-30kHz
入力インピーダンス	20kΩ
歪み(THD)	0.3%未満(1kHz/10mW)
バッテリーの種類	リチウムポリマー
バッテリー持続時間と充電	フル充電から最大約30時間 (15分急速充電で約最長5時間) 入力 Bluetooth、3.5 mmステレोजェット、USB-Cオーディオ
同梱の付属品	1.2 mステレオオーディオケーブル、1.2 m USB-A-Cケーブル、収納ケース
質量	310g