



ExtremeWireless™ AP410C Access Point

Installation Guide

9036902-01 Rev AA
March 2021



Copyright © 2021 Extreme Networks, Inc. All rights reserved.

Legal Notice

Extreme Networks, Inc. reserves the right to make changes in specifications and other information contained in this document and its website without prior notice. The reader should in all cases consult representatives of Extreme Networks to determine whether any such changes have been made.

The hardware, firmware, software or any specifications described or referred to in this document are subject to change without notice.

Trademarks

Extreme Networks and the Extreme Networks logo are trademarks or registered trademarks of Extreme Networks, Inc. in the United States and/or other countries.

All other names (including any product names) mentioned in this document are the property of their respective owners and may be trademarks or registered trademarks of their respective companies/owners.

For additional information on Extreme Networks trademarks, see: www.extremenetworks.com/company/legal/trademarks

Open Source Declarations

Some software files have been licensed under certain open source or third-party licenses. End-user license agreements and open source declarations can be found at: <https://www.extremenetworks.com/support/policies/open-source-declaration/>



Table of Contents

Preface.....	4
Text Conventions.....	4
Documentation and Training.....	5
Getting Help.....	6
Subscribe to Product Announcements.....	6
Providing Feedback.....	6
AP410C Access Point Overview.....	8
Update the Country Code.....	8
AP410C Features.....	8
AP410C hardware components.....	10
Micro USB console port information.....	10
Reset button details.....	11
Device physical specifications, radio specifications, and power tables.....	11
Power Profile.....	12
Status LED Activity Description.....	12
Install the Access Point.....	13
Box Contents.....	13
Position the Access Point before Installation.....	13
Install the Access Point on a Standard Ceiling Rail.....	14
Non-Standard Ceiling Grid or Wall Installation.....	18
Lock the Access Point after Installation.....	22
Regulatory and Compliance Information.....	23
Safety Guidelines.....	23
Japan Indoor Use Statement.....	23
Japan Voluntary Control Council for Interference (VCCI) - Class B.....	24
European Union (EU) Radiation Warning Statement.....	24
FCC Notice (Part 15 - Class B).....	26
FCC Radiation Exposure Statement.....	26
Brazil Agência Nacional De Telecomunicações (Anatel) Statement.....	26
Mexico Compliance Statement.....	27
Industry Canada Statement.....	27
Industry Canada Notice.....	27
Taiwan Regulatory Statement.....	28
Taiwan Maximum Permissible Exposure (MPE) Warning.....	28
European Waste Electrical and Electronic Equipment (WEEE) Notice.....	28
Hazardous Substances.....	29
Supplement to Product Instructions.....	29
Index.....	30



Preface

This section describes the text conventions used in this document, where you can find additional information, and how you can provide feedback to us.

Text Conventions

Unless otherwise noted, information in this document applies to all supported environments for the products in question. Exceptions, like command keywords associated with a specific software version, are identified in the text.

When a feature, function, or operation pertains to a specific hardware product, the product name is used. When features, functions, and operations are the same across an entire product family, such as ExtremeSwitching switches or SLX routers, the product is referred to as *the switch* or *the router*.

Table 1: Notes and warnings






Icon	Notice type	Alerts you to...
	Tip	Helpful tips and notices for using the product
	Note	Useful information or instructions
	Important	Important features or instructions
	Caution	Risk of personal injury, system damage, or loss of data
	Warning	Risk of severe personal injury

Table 2: Text

Convention	Description
screen displays	This typeface indicates command syntax, or represents information as it is displayed on the screen.
The words <i>enter</i> and <i>type</i>	When you see the word <i>enter</i> in this guide, you must type something, and then press the Return or Enter key. Do not press the Return or Enter key when an instruction simply says <i>type</i> .
Key names	Key names are written in boldface, for example Ctrl or Esc . If you must press two or more keys simultaneously, the key names are linked with a plus sign (+). Example: Press Ctrl+Alt+Del
Words in italicized type	Italics emphasize a point or denote new terms at the place where they are defined in the text. Italics are also used when referring to publication titles.
NEW!	New information. In a PDF, this is searchable text.

Table 3: Command syntax

Convention	Description
bold text	Bold text indicates command names, keywords, and command options.
<i>italic</i> text	Italic text indicates variable content.
[]	Syntax components displayed within square brackets are optional. Default responses to system prompts are enclosed in square brackets.
{ x y z }	A choice of required parameters is enclosed in curly brackets separated by vertical bars. You must select one of the options.
x y	A vertical bar separates mutually exclusive elements.
< >	Nonprinting characters, such as passwords, are enclosed in angle brackets.
...	Repeat the previous element, for example, <i>member</i> [<i>member</i> . . .].
\	In command examples, the backslash indicates a “soft” line break. When a backslash separates two lines of a command input, enter the entire command at the prompt without the backslash.

Documentation and Training

Find Extreme Networks product information at the following locations:

[Current Product Documentation](#)

[Release Notes](#)

[Hardware and software compatibility](#) for Extreme Networks products

[Extreme Optics Compatibility](#)

[Other resources](#) such as white papers, data sheets, and case studies

Extreme Networks offers product training courses, both online and in person, as well as specialized certifications. For details, visit www.extremenetworks.com/education/.

Getting Help

If you require assistance, contact Extreme Networks using one of the following methods:

Extreme Portal

Search the GTAC (Global Technical Assistance Center) knowledge base; manage support cases and service contracts; download software; and obtain product licensing, training, and certifications.

The Hub

A forum for Extreme Networks customers to connect with one another, answer questions, and share ideas and feedback. This community is monitored by Extreme Networks employees, but is not intended to replace specific guidance from GTAC.

Call GTAC

For immediate support: (800) 998 2408 (toll-free in U.S. and Canada) or 1 (408) 579 2826. For the support phone number in your country, visit: www.extremenetworks.com/support/contact

Before contacting Extreme Networks for technical support, have the following information ready:

- Your Extreme Networks service contract number, or serial numbers for all involved Extreme Networks products
- A description of the failure
- A description of any actions already taken to resolve the problem
- A description of your network environment (such as layout, cable type, other relevant environmental information)
- Network load at the time of trouble (if known)
- The device history (for example, if you have returned the device before, or if this is a recurring problem)
- Any related RMA (Return Material Authorization) numbers

Subscribe to Product Announcements

You can subscribe to email notifications for product and software release announcements, Field Notices, and Vulnerability Notices.

1. Go to [The Hub](#).
2. In the list of categories, expand the **Product Announcements** list.
3. Select a product for which you would like to receive notifications.
4. Select **Subscribe**.
5. To select additional products, return to the **Product Announcements** list and repeat steps 3 and 4.

You can modify your product selections or unsubscribe at any time.

Providing Feedback

The Information Development team at Extreme Networks has made every effort to ensure the accuracy and completeness of this document. We are always striving to improve our documentation and help you work better, so we want to hear from you. We welcome all feedback, but we especially want to know about:

- Content errors, or confusing or conflicting information.

- Improvements that would help you find relevant information in the document.
- Broken links or usability issues.

If you would like to provide feedback, you can do so in three ways:

- In a web browser, select the feedback icon and complete the online feedback form.
- Access the feedback form at <https://www.extremenetworks.com/documentation-feedback/>.
- Email us at documentation@extremenetworks.com.

Provide the publication title, part number, and as much detail as possible, including the topic heading and page number if applicable, as well as your suggestions for improvement.



AP410C Access Point Overview

[Update the Country Code on page 8](#)

[AP410C Features on page 8](#)

[Power Profile on page 12](#)

[Status LED Activity Description on page 12](#)

Details about AP410C access point.

The AP410C is a high-performance 802.11ax 5G dual band access point designed for indoor high-density environments. This device supports IEEE 802.11ax Orthogonal Frequency-Division Multiple Access (OFDMA) multi-user access.

Update the Country Code

Learn how to update the country code on the access point.

If your access point is configured for the World Regulatory (WR) domain, set the country code to the country in which the access point will be deployed to meet regulatory requirements and for optimal wireless operation.



Note

The country code selection is for WR models only and is not available to FCC, CAN, and other country-specific models. Per Federal Communications Commission (FCC) regulations, all Wi-Fi products marketed in the United States must be set to U.S. channels only.

1. Power on the access point and wait for it to find and connect to ExtremeCloud IQ.

After the access point is connected, it is displayed in the table of devices on the **Manage > Devices** page.

2. Select the check box next to the access point, and then choose **Assign Country Code** from the Actions drop-down list.

In the dialog box, select the appropriate country from the drop-down list, and then select **Save**.

3. Upload your changes to the access point.

AP410C Features

The access point has the following features:

- Two LED status lights

For LED activity description, see [Status LED Activity Description](#) on page 12.

- One light sensor located at the top of the device
- Two Ethernet ports - Eth0 and Eth1

Ethernet ports (Eth0 and Eth1) automatically negotiate half- and full-duplex connections with the connecting device.

- Eth0 is 100/1000/2500 BASE-T
- Eth1 is 10/100/1000 BASE-T

These ports are autosensing and adjust to straight-through and crossover standard Cat5 or better Ethernet cables automatically. The access point receives power through an Ethernet connection to the ETH0 port from power sourcing equipment (PSE) that is compatible with the 802.3at and 802.3at standards.

- One USB port

Use the USB port to connect USB-based beacons such as iBeacon and Internet of Things (IoT) devices.

Remove the screw that secures the protective cover to access the USB port.

- One micro USB console port

For console port information, see [Micro USB console port information](#).

You can order a micro USB console adapter for the AP410C access point [here](#).

- One reset button
- One security slot



Tip

The best practice is to use Kensington® locks for locking the device.

- Operating temperature: 0 °C to +40 °C (+32 °F to +104 °F)
- Storage temperature: -40 °C to +70 °C (-40 °F to +158 °F)
- Relative humidity: 10% to 95% non-condensing

AP410C hardware components

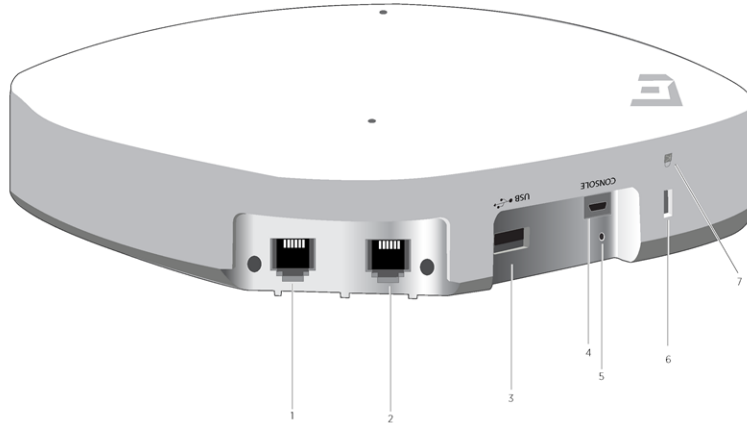


Figure 1: AP410C access point hardware components

Table 4: Hardware component description

Callout	Description
1	Eth0 PoE+
2	Eth1
3	USB port
4	Console port
5	Reset button
6	Security slot
7	Kensington lock

Micro USB console port information

Use the console port to make a serial connection between your management system and the access point.



Note

When you connect to the device using the micro USB Console port, the management station from which you connect to the device must have a VT100 emulation program, such as Tera Term Pro© (a free terminal emulator) or Hilgraeve HyperTerminal® (provided with Windows® operating systems from XP forward).

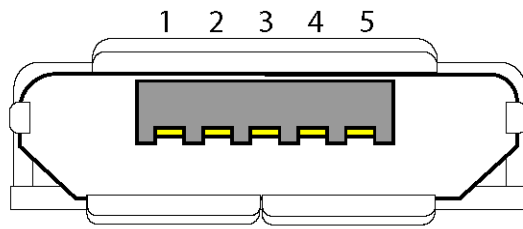


Figure 2: Micro-B model console port pin information

Table 5: Micro-B USB pin information

Pin number	Pin name and description
1	NC
2	RxD (input to access point)
3	TxD (output to terminal)
4	Signal (GND)
5	Signal (GND)

Reset button details

Use the Reset button to restore the factory default settings.

1. Insert a paper clip or similar tool into the Reset pinhole and press the button.
2. To reboot the device, press the button for 5 seconds.
3. To return the configuration to the factory default settings, press it for at least 10 seconds.

After releasing the button, the indicator light goes dark, and then glows steady amber while the firmware loads and the system performs a self-test. After the software finishes loading and the access point has connected to ExtremeCloud IQ, the status indicator glows steady white.

4. To prevent the reset button from resetting the configuration, type this command: `no reset-button reset-config-enable`

When this command is enabled, pressing the button for 5 seconds will still reboot the access point, but pressing it for more than 10 seconds will not reset its configuration.

Device physical specifications, radio specifications, and power tables

For detailed device specifications and radio specifications, refer to the AP410C access point [data sheet](#).

Power Profile

Details about 802.af and 802.3at power profile.

Table 6: AP410C power profile details

AP410C	802.3af	802.3at
2.4G radio	2×2 (14 dBm)	2×2 (18 dBm)
5G radio	3×3 (17 dBm)	4×4 (18 dBm)
Sensor radio	2.4G and 5G (15 dBm)	2.4G and 5G (18 dBm)
BLE	Enabled	Enabled
USB	No	Yes
2.5G Ethernet	Yes	Yes
1G Ethernet	No	Yes

Status LED Activity Description

Details about LED activity for system power, firmware updates, Ethernet and wireless interface activity, and major alarms.

The AP410C access point has two status lights on the top of the chassis.

Table 7: LED status and activity

Status light color	Activity	Description
White	Steady	The device has successfully established a Control And Provisioning of Wireless Access Points (CAPWAP) connection to ExtremeCloud IQ and is operating normally
	Slow-blinking	The device has a CAPWAP connection to ExtremeCloud IQ, but is operating on 802.3af power instead of 802.3at power
Amber	Steady	The device is initializing, rebooting, or is running without a CAPWAP connection
	Slow-blinking	The device has no CAPWAP connection to ExtremeCloud IQ, and is operating on 802.3af power instead of 802.3at power
	Fast-blinking	The device is upgrading its ExtremeCloud IQ firmware
Dark	None	Power is off



Install the Access Point

Box Contents on page 13

Position the Access Point before Installation on page 13

Install the Access Point on a Standard Ceiling Rail on page 14

Non-Standard Ceiling Grid or Wall Installation on page 18

Lock the Access Point after Installation on page 22

AP410C access point pre-installation checklist.

About This Task

Install the access point on a flat surface such as a wall or to a standard dropped ceiling grid rail. For bracket and accessories information, see [Extreme Networks 11.ax Access Points Accessories Guide](#).

Procedure

1. Verify the [box contents](#).
2. Visually inspect the access point, the bracket, and any other optional accessories you have ordered for physical damage.
If there is any damage, contact [Extreme Networks Support](#).
3. Read and review the [safety guidelines](#).

Box Contents

Details about AP410C access point box contents.

When you purchase the access point, ensure that the following items are available in the box:

- An AP410C access point
- Mounting bracket for prelude T-bar ceiling installation (part number AH-ACC-BKT-AX-TB)
- Read Me card

Position the Access Point before Installation

Details about access point pre-installation position.

There is a red dot on the back of the access point and the bracket that will work as a guide to position the access point for installation. Line up the red dot on the access point and the bracket for ease of installation.

Install the Access Point on a Standard Ceiling Rail

Install the access point on a standard 15/16 in. dropped ceiling rail.

Before You Begin

Hardware requirements for standard ceiling rail install:

- An AP410C access point
- An AH-ACC-BKT-AX-TB bracket
- AH-ACC-BKT-AC-KIT adapter, when the ceiling rail protrusion is 1/8 in. or 1/4 in.

About This Task

The AP410C access point ships with a mounting bracket for standard dropped ceiling rail installation.

You must use the AH-ACC-BKT-AC-KIT adapter with the -TB bracket when there is a 1/8 in. or 1/4 in. ceiling rail protrusion.

Procedure

1. Remove the ceiling tiles.
2. Put together the AH-ACC-BKT-AC-KIT protruded ceiling tile bracket set parts.



Note

If you are not using the -KIT bracket set, go to [Step 4](#) of this procedure.

- a. Insert the bracket tabs into the slots.

Ensure that the locking tabs slide smoothly one behind the other.

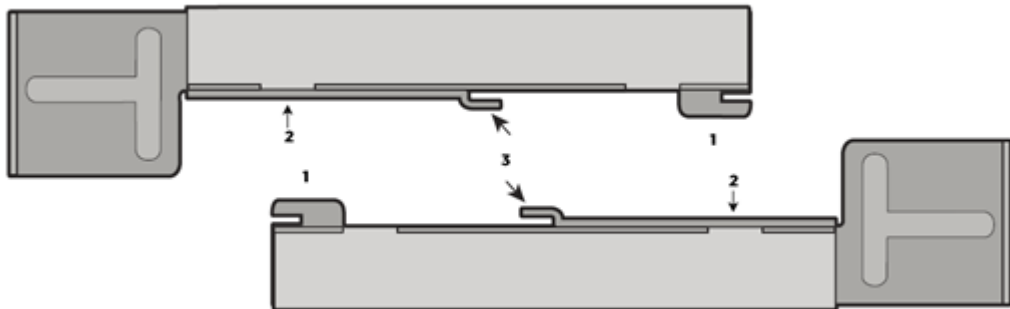


Figure 3: Locking tabs and bracket slots

Callout	Description
1	Bracket tabs
2	Bracket slots
3	Locking tabs

- b. Slide the two bracket halves in the direction shown in the following figure.



Figure 4: Bracket halves attachment procedure

- c. When the locking tabs click into place, the bracket ends will line up.

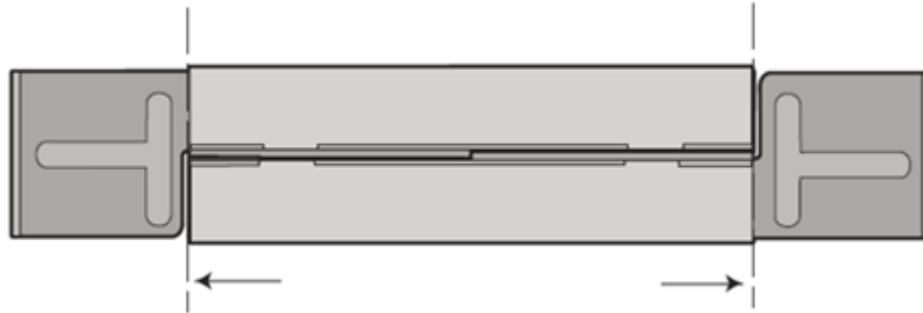


Figure 5: AH-ACC-BKT-AC-KIT protruded ceiling tile bracket parts attached together



Note

When the bracket parts are put together properly, the parts are interlocked in three places and is locked together as a single piece.

3. Using the bracket guide on the top half of the AH-ACC-BKT-AC-KIT, align and attach the -KIT on the ceiling rail.
 - a. Align the -TB accessory back metal hinges on the bottom half of the AH-ACC-BKT-AC-KIT.
 - b. Rotate the -TB accessory clockwise until the metal hinges hook over the -KIT bracket part and clicks in place.
4. If you are not using the AH-ACC-BKT-AC-KIT, attach the -TB accessory directly onto the ceiling rail.
 - a. Align the accessory on the ceiling rail in such a way that the accessory metal hinges are almost parallel to the sides of the ceiling rail.
 - b. Rotate the accessory clockwise until the metal hinges hook over the edge of the rail and the white tabs click in place.



Note

There are two white tabs in the back of the accessory that holds on to the ceiling rail in place. Use your finger to push and unhook one side of the white tab if you want to remove the accessory from the ceiling rail.

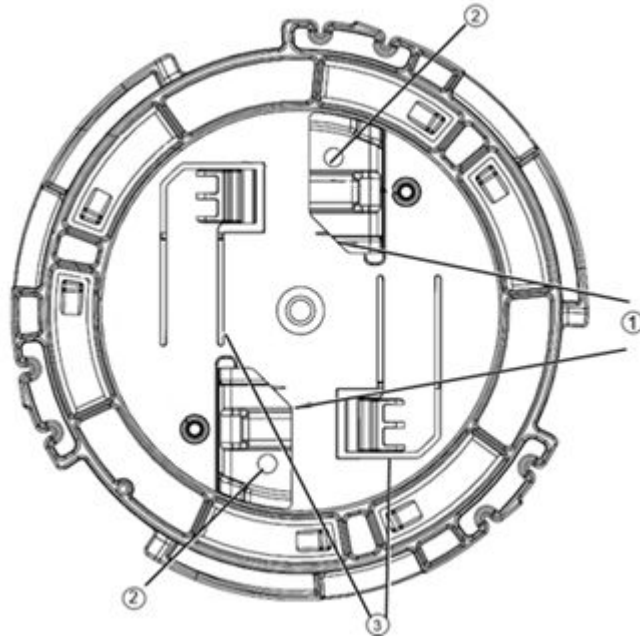


Figure 6: AH-ACC-BKT-AX-TB accessory

Callout	Description
1	Metal hinges on the AH-ACC-BKT-AX-TB accessory
2	Mounting holes for wall mounting
3	White tab on the AH-ACC-BKT-AX-TB accessory

5. Attach the Ethernet port cap to the access point Ethernet port.

For more information about Ethernet cap, refer to Ethernet Cap Accessory Information on the [WiFi 6 802.11ax Access Points Accessories Guide](#).

- Align the red dot on the back of the access point against the bracket red dot.

**Note**

The accessory has a circular tip that fits into the circular depression on the back of the access point.

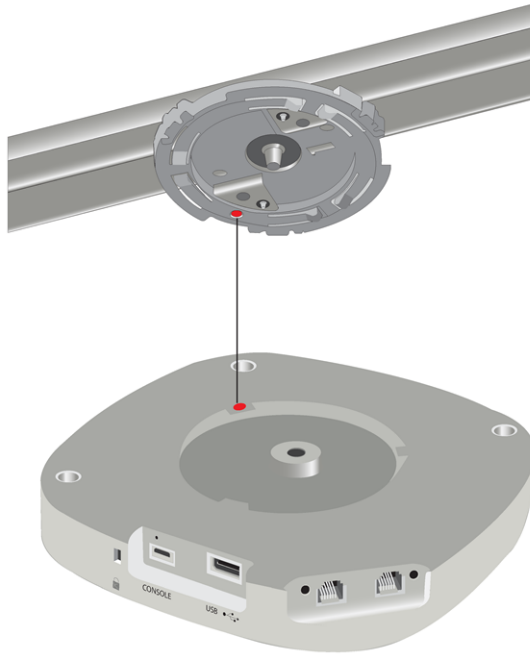


Figure 7: Access point alignment against the red dot on the -TB bracket

- Press and rotate the access point 1/8th turn clockwise until it clicks into place on the accessory.

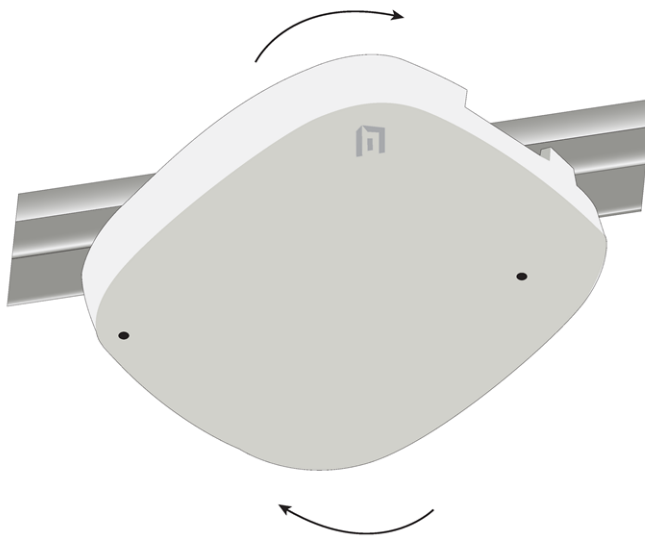


Figure 8: AP410C access point ceiling install

- Attach the Cat6 RJ45 cable to the ETH0 or ETH1 port.

9. Place the cable cover over the Ethernet cable.
10. Replace the ceiling tiles.

Non-Standard Ceiling Grid or Wall Installation

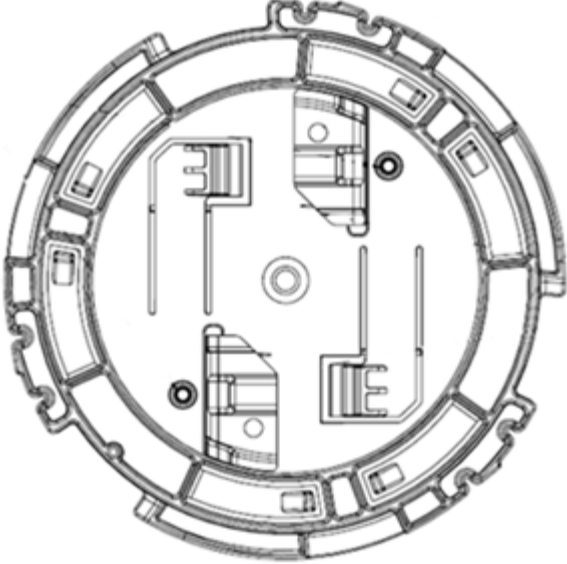
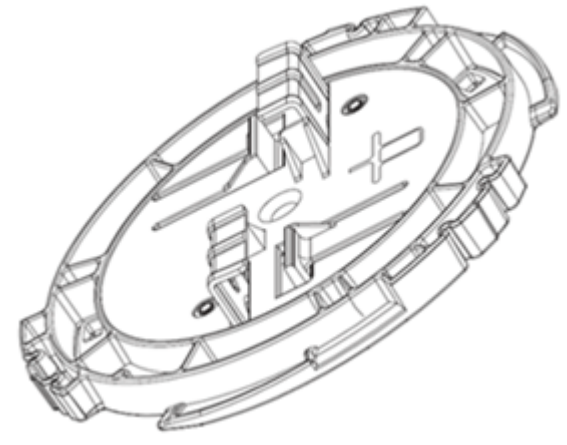
Details about non-standard ceiling grid or wall installation using optional bracket and accessory.

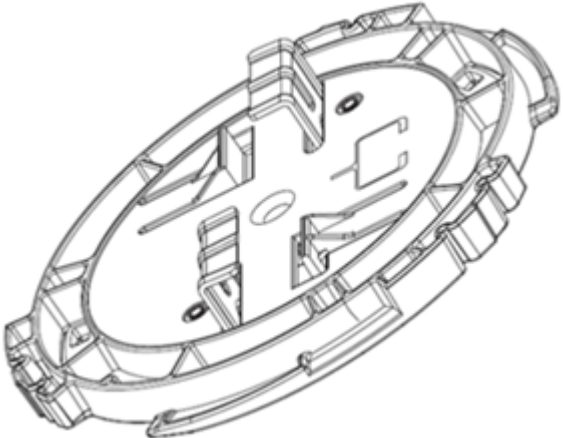
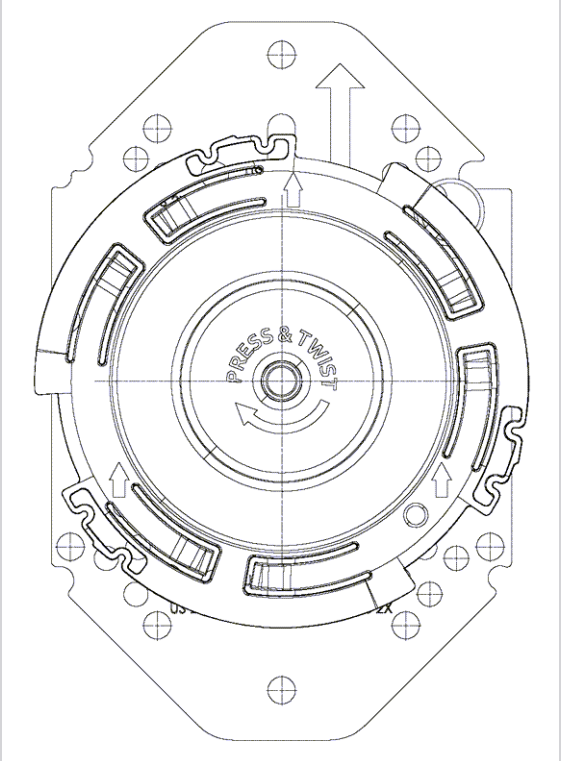


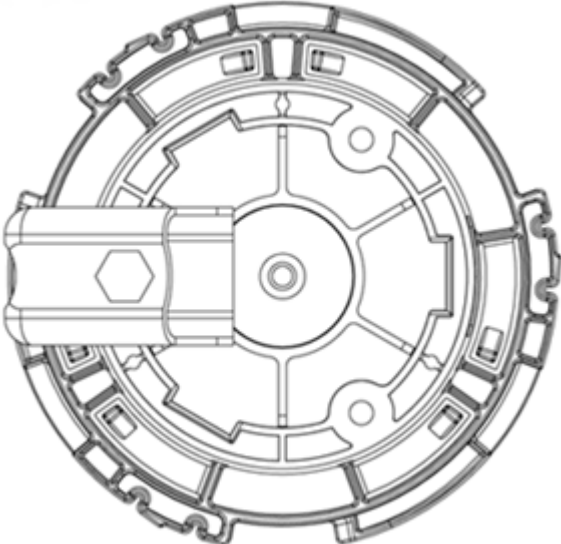
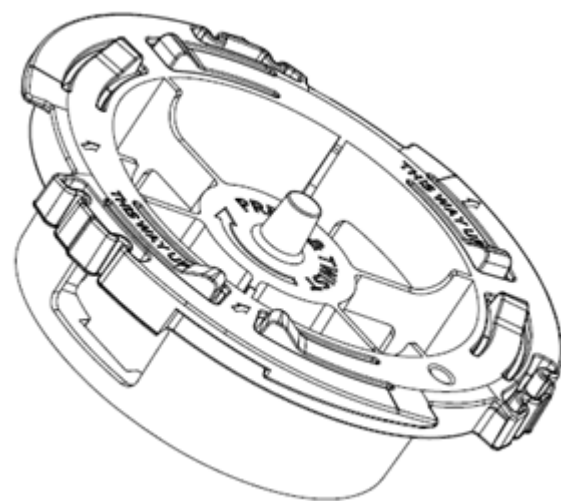
Note

For all non-standard ceiling grid installation or wall installation instructions, refer to the [Wi-Fi 6 802.11ax Access Points Accessories Guide](#).

The access point can be installed on a non-standard ceiling grid using the following accessories:

Order part number	Description
AH-ACC-BKT-AX-TB	Mounting bracket for prelude 15/16 in. 
AH-ACC-BKT-AX-IL	Mounting bracket for interlude ceilings and suprafine 9/16 in. ceilings and walls 

Order part number	Description
<p>AH-ACC-BKT-AX-SL</p>	<p>Mounting bracket for silhouette 1/8 in. and silhouette 1/4 in. ceiling grids</p> 
<p>ACC-BKT-AX-JB</p>	<p>Junction box or wall mounting for indoor access points</p> 

Order part number	Description
ACC-BKT-AX-BEAM	Beam mounting for indoor access points 
AH-ACC-BKT-AX-WL	Mounting bracket for direct-to-wall installations 



Important

The default bracket for wall installation is the ACC-BKT-AX-JB bracket.



Note

Order the -JB bracket for new wall installations. The AH-ACC-BKT-AX-WL bracket is for users who already have the -WL brackets.

Related Topics

https://documentation.extremenetworks.com/wireless/Accessories_Guide

Lock the Access Point after Installation

Learn how to lock the indoor access point using a Kensington® lock.

If you are using an indoor access point, you can secure it by using the Kensington® lock on the side of the access point. The security feature is used to prevent the access point from being removed from the mounting accessory.



Regulatory and Compliance Information

[Safety Guidelines](#) on page 23

[Japan Indoor Use Statement](#) on page 23

[Japan Voluntary Control Council for Interference \(VCCI\) - Class B](#) on page 24

[European Union \(EU\) Radiation Warning Statement](#) on page 24

[FCC Notice \(Part 15 - Class B\)](#) on page 26

[FCC Radiation Exposure Statement](#) on page 26

[Brazil Agência Nacional De Telecomunicações \(Anatel\) Statement](#) on page 26

[Mexico Compliance Statement](#) on page 27

[Industry Canada Statement](#) on page 27

[Taiwan Regulatory Statement](#) on page 28

[European Waste Electrical and Electronic Equipment \(WEEE\) Notice](#)
on page 28

[Hazardous Substances](#) on page 29

[Supplement to Product Instructions](#) on page 29

Learn about safety guidelines, compliance notices, and regulatory information pertaining to various countries in which the device can be used.

Safety Guidelines

Learn about the safety guidelines that are intended to protect your personal safety and prevent damage to the equipment.



Important

Only qualified personnel must perform installation procedures. Within the context of the safety notes in this documentation, qualified persons are defined as persons who are authorized to commission grounding, and label devices, systems, and circuits in accordance with established safety practices and standards. A qualified person understands the requirements and risks involved with installing the electrical equipment in accordance with national codes.

Japan Indoor Use Statement

For Japan, the AP410C access point is restricted for indoor use in the 5150-5350 MHz band only.

Japan Voluntary Control Council for Interference (VCCI) - Class B

この装置は、クラスB情報技術装置です。この装置は、家庭環境で使用することを目的としていますが、この装置がラジオやテレビジョン受信機に近接して使用されると、受信障害を引き起こすことがあります。

取扱説明書に従って正しい取り扱いをして下さい。 VCCI-B

European Union (EU) Radiation Warning Statement

Radiation warning compliance statements in European languages.

	AT	BE	BG	CH	CY	DE	DK
	EE	EL	ES	FI	FR	HR	HU
	IE	IS	IT	LI	LT	LU	LV
	MT	NL	NO	PL	PT	RO	SE
	SI	SK	TR	UK			

To meet radiation exposure requirements, the devices must be installed and operated at a minimum distance of 20 cm from people or animals.

Restrictions: 5150-5350 MHz for indoor use only.

- **Bulgarian (български):** За да отговарят на изискванията за излагане на радиация, тези устройства трябва да бъдат инсталирани на минимално разстояние от 20 cm от хората или животните.

Ограничения: 5150-5350 MHz само за вътрешна употреба.

- **Croatian (hrvatski):** Da bi zadovoljili zahtjeve izloženosti zračenju, ti uređaji trebaju biti instalirani na minimalnoj udaljenosti od 20 cm od ljudi ili životinja.

Ograničenja: 5150-5350 MHz samo za unutarnju uporabu.

- **Czech (Česky):** Aby byly splněny požadavky na ozáření, měly by být tato zařízení instalována v minimální vzdálenosti 20 cm od lidí nebo zvířat.

Omezení: 5150-5350 MHz pouze pro vnitřní použití.

- **Danish (Dansk):** For at opfylde kravene til strålingseksponering skal disse enheder installeres i mindst 7.87 in. (20 cm) afstand fra mennesker eller dyr.

Restriktioner: 5150-5350 MHz kun til indendørs brug.

- **Dutch (Nederland):** Om aan stralingsblootstelling te voldoen, dienen deze apparaten op een minimumafstand van 7.87 in. (20 cm) van mensen of dieren te worden geïnstalleerd.

Beperkingen: 5150-5350 MHz alleen voor gebruik binnenshuis.

- **English:** To meet radiation exposure requirements, these devices should be installed at a minimum distance of 7.87 in. (20 cm) from people or animals.

Restrictions: 5150-5350 MHz for indoor use only.

- **Estonian (Eesti):** Et rahuldada kiirituse nõuetele, need seadmed tuleb paigaldada minimaalselt 7.87 in. (20 cm) inimestelt või loomadelt. Piirangud: 5150-5350 MHz sisetingimustele.
- **Finnish (Suomi):** Säteilytysvaatimusten täyttämiseksi nämä laitteet on asennettava vähintään 7.87 in. (20 cm) etäisyydelle ihmisistä tai eläimistä. Rajoitukset: 5150-5350 MHz vain sisäkäyttöön.
- **French (Français):** Pour répondre aux exigences d'exposition aux rayonnements, ces appareils devraient être installés à une distance minimale de 7.87 in. (20 cm) des personnes ou des animaux.

Restrictions: 5150-5350 MHz pour usage intérieur seulement.

- **German (Deutsch):** Um die Anforderungen an die Strahlenbelastung zu erfüllen, sollten diese Geräte in einem Abstand von 7.87 in. (20 cm) von Personen oder Tieren installiert werden.

Einschränkungen: 5150-5350 MHz nur für den Innenbereich.

- **Greek (Ελληνική):** Για την κάλυψη των απαιτήσεων έκθεσης σε ακτινοβολία, οι συσκευές αυτές πρέπει να τοποθετούνται σε απόσταση τουλάχιστον 20 cm από ανθρώπους ή ζώα.

Περιορισμοί: 5150-5350 MHz μόνο για εσωτερική χρήση.

- **Hungarian (Magyar):** A sugárterhelési követelmények teljesítése érdekében ezeket az eszközöket legalább 7.87 in. (20 cm) távolságra kell felszerelni az emberek vagy az állatoktól.

Korlátozások: 5150-5350 MHz csak beltéri használatra.

- **Italian (Italiano):** Per soddisfare i requisiti di esposizione alle radiazioni, questi dispositivi devono essere installati ad una distanza minima di 20 cm da persone o animali.

Restrizioni: 5150-5350 MHz solo per uso interno.

- **Latvian (Latviski):** Lai apmierinātu starojuma iedarbības prasībām, šīs ierīces ir uzstādītas pie minimālo attālumu 7.87 in. (20 cm) no cilvēkiem vai dzīvniekiem.

Ierobežojumi: 5150-53250 MHz izmantot tikai telpās.

- **Lithuanian (Lietuvių):** Siekiant patenkinti SPINDULIAVIMĄ reikalavimus, šie įtaisai turi būti įrengiami ne arčiau kaip 7.87 in (20 cm) nuo žmonių ar gyvūnų.

Apribojimai: 5150-5350 MHz naudoti tik patalpose.

- **Maltese (Malti):** Biex jilhq u l-htigiet ta 'espożizzjoni tar-radjazzjoni, dawn il-mezzi għandhom jiġu installati f'distanza minima ta' 7.87 in. (20 cm) minn nies jew annimali.

Restrizzjonijiet: MHz 5150-5350 għall-użu fuq ġewwa biss.

- **Polish (Polski):** Aby spełnić wymagania dotyczące narażenia na promieniowanie, urządzenia te powinny być instalowane w odległości minimum 7.87 in. (20 cm) od ludzi lub zwierząt.

Ograniczenia: 5150-5350 MHz tylko do użytku wewnętrznego.

- **Portuguese (Português):** Para atender aos requisitos de exposição à radiação, esses dispositivos devem ser instalados a uma distância mínima de 7.87 in. (20 cm) de pessoas ou animais.

Restrições: 5150-5350 MHz para uso interno apenas.

- **Romanian (Romania):** Pentru a îndeplini cerințele de expunere la radiații, aceste dispozitive ar trebui instalate la o distanță minimă de 20 cm de la oameni sau animale.

Restricții: 5150-5350 MHz numai pentru uz intern.

- **Slovak (Slovensky):** Ak chcete splniť požiadavky na vystavenie žiareniu, mali by byť tieto zariadenia inštalované v minimálnej vzdialenosti od ľudí alebo zvierat od minimálnej vzdialenosti 20 cm.

Obmedzenia: 5150-5350 MHz iba pre vnútorné použitie.

FCC Notice (Part 15 - Class B)

This device complies with Part 15 of the FCC rules. Operation is subject to the following two conditions: (1) this device may not cause harmful interference, and (2) this device must accept any interference received, including interference that may cause undesired operation.



Note

This equipment has been tested and found to comply with the limits for a class B digital device, pursuant to Part 15 of the FCC rules. These limits are designed to provide reasonable protection against harmful interference when the equipment is operated in a commercial environment. This equipment uses, generates, and can radiate radio frequency energy and if not installed in accordance with the operator's manual, may cause harmful interference to radio communications. However, there is no guarantee that interference will not occur in a particular installation. If this equipment does cause harmful interference to radio or television reception, which can be determined by turning the equipment off and on, the user is encouraged to try to correct the interference by one of the following measures:

- Reorient or relocate the antenna of the receiving devices.
- Increase the separation between this equipment and receiving equipment.
- Connect this equipment into an outlet on a circuit different from that to which the receiving equipment is connected.
- Consult the dealer or an experienced radio or TV technician for help.



Warning

Changes or modifications made to this device which are not expressly approved by the party responsible for compliance could void the user's authority to operate the equipment.

FCC Radiation Exposure Statement



Warning

This equipment complies with FCC radiation exposure limits set forth for an uncontrolled environment. This equipment should be installed and operated with a minimum distance 20 cm between the radiator and your body.

Brazil Agência Nacional De Telecomunicações (Anatel) Statement

Details about certification from Brazil's local authority Agência Nacional De Telecomunicações (Anatel) for access point usage in Brazil.

Este produto está homologado pela Anatel, de acordo com os procedimentos regulamentados e atende aos requisitos técnicos aplicados.

Este equipamento não tem direito à proteção contra interferência prejudicial e não pode causar interferência em sistemas devidamente autorizados. Para maiores informações, consulte o site da Anatel – www.anatel.gov.br

Mexico Compliance Statement

Details about compliance conditions for device use in Mexico.

La operación de este equipo está sujeta a las siguientes dos condiciones

1. es posible que este equipo o dispositivo no cause interferencia perjudicial y
2. este equipo o dispositivo debe aceptar cualquier interferencia, incluyendo la que pueda causar su operación no deseada.

The operation of this equipment is subject to the following two conditions:

1. it is possible that this equipment or device does not cause disruptive interference and
2. this equipment or device must accept any interference, including interference that may cause undesired operation.

Industry Canada Statement



Warning

For indoor use only.

Pour une utilisation en intérieur uniquement.

Industry Canada Notice

This device complies with Innovation, Science and Economic Development (ISED) Canada's licence-exempt RSSs. Operation is subject to the following two conditions: (1) this device may not cause harmful interference, and (2) this device must accept any interference received, including interference that may cause undesired operation.

Le présent appareil est conforme aux CNR d'ISED applicables aux appareils radio exempts de licence. L'exploitation est autorisée aux deux conditions suivantes : (1) le dispositif ne doit pas produire de brouillage préjudiciable, et (2) ce dispositif doit accepter tout brouillage reçu, y compris un brouillage susceptible de provoquer un fonctionnement indésirable.



Warning

Dynamic Frequency Selection (DFS) Warning:

Dynamic Frequency Selection (DFS) for devices operating in the bands 5250- 5350 MHz, 5470-5600 MHz and 5650-5725 MHz.



Warning

DFS Warning:

Sélection dynamique de fréquences (DFS) pour les dispositifs fonctionnant dans les bandes 5250-5350 MHz, 5470-5600 MHz et 5650-5725 MHz.

**Warning****IC Radiation Exposure Statement:**

This equipment complies with ISSED radiation exposure limits set forth for an uncontrolled environment. This equipment should be installed and operated with minimum distance 20 cm between the radiator and your body.

**Warning****Déclaration d'exposition aux radiations:**

Cet équipement est conforme aux limites d'exposition aux rayonnements ISSED établies pour un environnement non contrôlé. Cet équipement doit être installé et utilisé avec un minimum de 20 cm de distance entre la source de rayonnement et votre corps.

Taiwan Regulatory Statement

第十二條→經型式認證合格之低功率射頻電機，非經許可，公司，商號或使用者均不得擅自變更頻率、加大功率或變更原設計之特性及功能。第十四條→低功射頻電機之使用得影響飛航安全及干擾合法通信；經發現有干擾現象時，應即停用，並改善至無干擾時方得繼續使用。前項合法通信，指依電信法規定作業之無線電通信。低功射頻電機須忍受合法通信或工業、科學及醫用電波射性電機設備之干擾。

在 5.25-5.35 兆赫頻帶□操作之無線資訊傳輸設備，限於室□使用。

無線資訊傳設備的製造廠商應確保頻穩定性，如依製造廠商使用手冊上所述正常操作，發射的信號應維持於操作頻帶中。

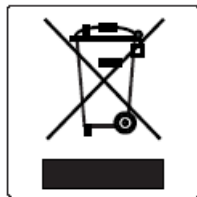
Taiwan Maximum Permissible Exposure (MPE) Warning

電磁波曝露量 MPE 標準□(MPE) $1\text{mW}/\text{cm}^2$ ，送測□品實□為 $0.4088\text{mW}/\text{cm}^2$ 。

Avoid operation of nearby radar systems. 應避免影響附近雷達系統之操作

High-gain directional antennas can only be used in stationary point-to-point systems. 高增益指向性天線只得應用於固定式點對點系統。

European Waste Electrical and Electronic Equipment (WEEE) Notice



In accordance with Directive 2012/19/EU of the European Parliament on waste electrical and electronic equipment (WEEE):

1. The symbol above indicates that separate collection of electrical and electronic equipment is required.
2. When this product has reached the end of its serviceable life, it cannot be disposed of as unsorted municipal waste. It must be collected and treated separately.
3. It has been determined by the European Parliament that there are potential negative effects on the environment and human health as a result of the presence of hazardous substances in electrical and electronic equipment.
4. It is the user's responsibility to utilize the available collection system to ensure WEEE is properly treated.

For information about the available collection system, please contact Extreme Environmental Compliance at Green@extremenetworks.com.

Hazardous Substances

This product complies with the requirements of Directive 2011/65/EU of the European Parliament and of the Council of 8 June 2011 on the restriction of the use of certain hazardous substances in electrical and electronic equipment.

Supplement to Product Instructions

單元 Unit	限用物質及其化學符號 Restricted substances and its chemical symbols					
	鉛Lead (Pb)	汞Mercury (Hg)	鎘Cadmium (Cd)	六價鉻 Hexavalent chromium (Cr ⁺⁶)	多溴聯苯 Polybrominated biphenyls (PBB)	多溴二苯醚 Polybrominated diphenyl ethers (PBDE)
金屬零件 (Metal Parts)	○	○	○	○	○	○
電路模組 (Circuit Modules)	—	○	○	○	○	○
電纜及電纜組件 (Cables & Cable Assemblies)	○	○	○	○	○	○
塑料和聚合物零件 (Plastic and Polymeric parts)	○	○	○	○	○	○
<p>備考1. “超出0.1 wt %”及“超出0.01 wt %”係指限用物質之百分比含量超出百分比含量基準值。 Note 1 : “Exceeding 0.1 wt %” and “exceeding 0.01 wt %” indicate that the percentage content of the restricted substance exceeds the reference percentage value of presence condition.</p> <p>備考2. “○”係指該項限用物質之百分比含量未超出百分比含量基準值。 Note 2 : “○” indicates that the percentage content of the restricted substance does not exceed the percentage of reference value of presence.</p> <p>備考3. “—”係指該項限用物質為排除項目。 Note 3 : The “—” indicates that the restricted substance corresponds to the exemption.</p>						



Index

A

- Access point installation
 - box contents 13
 - visual inspection 13
- access point lock
 - kensington lock 22
 - security bracket 22
 - security torx 22
- AP410C features
 - hardware components 8, 10, 11
 - micro USB console port 8, 10, 11

B

- box contents
 - AP410C access point 13
 - Read me card 13

C

- conventions
 - notice icons 4
 - text 4
- country code 8

D

- documentation
 - feedback 6
 - location 5

E

- EU radiation warning statement 24

F

- feedback 6

I

- Industry Canada Statement
 - radiation exposure statement 27

J

- Japan class B statement 24
- Japan regulatory statements
 - indoor use 23

- Japan regulatory statements (*continued*)
 - VCCI-B statement 23

L

- LED colors
 - amber 12
 - dark 12
 - white 12
- LED indicators
 - dark LED 12
 - fast-blinking 12
 - slow-blinking 12
 - steady 12

M

- Mexico compliance statement 27

N

- non-standard ceiling install
 - accessory information 18
 - AH-ACC-BKT-AX-IL accessory 18
 - AH-ACC-BKT-AX-SL accessory 18
 - AH-ACC-BKT-AX-TB accessory 18
- notices 4

O

- Overview
 - access point description 8

P

- position your access point 13
- power profile
 - 802.3af 12
 - 802.3at 12
- pre-installation 13

R

- regulatory information, hazardous Substances 29
- Restriction of Hazardous Substances information 29

S

- safety guidelines 23
- standard ceiling installation 14

support, see technical support

T

Taiwan regulatory statement 28

technical support
 contacting 6

W

warnings 4