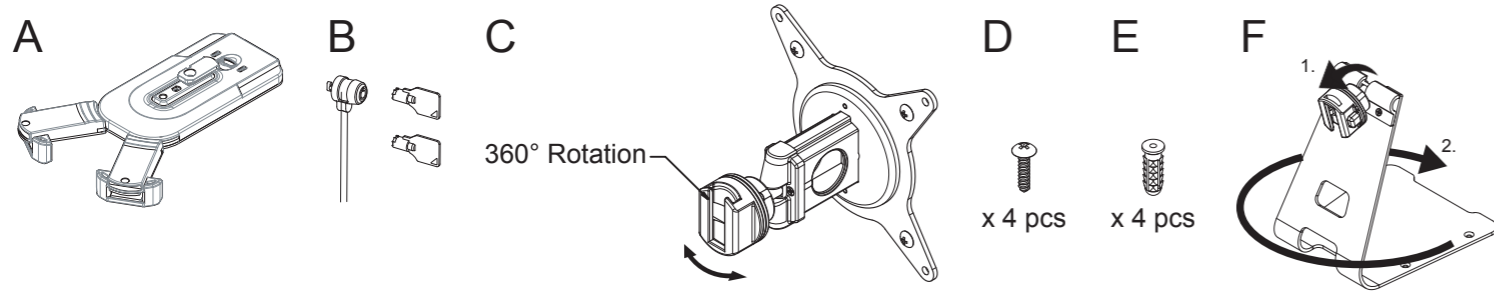


# INSTALLATION INSTRUCTIONS

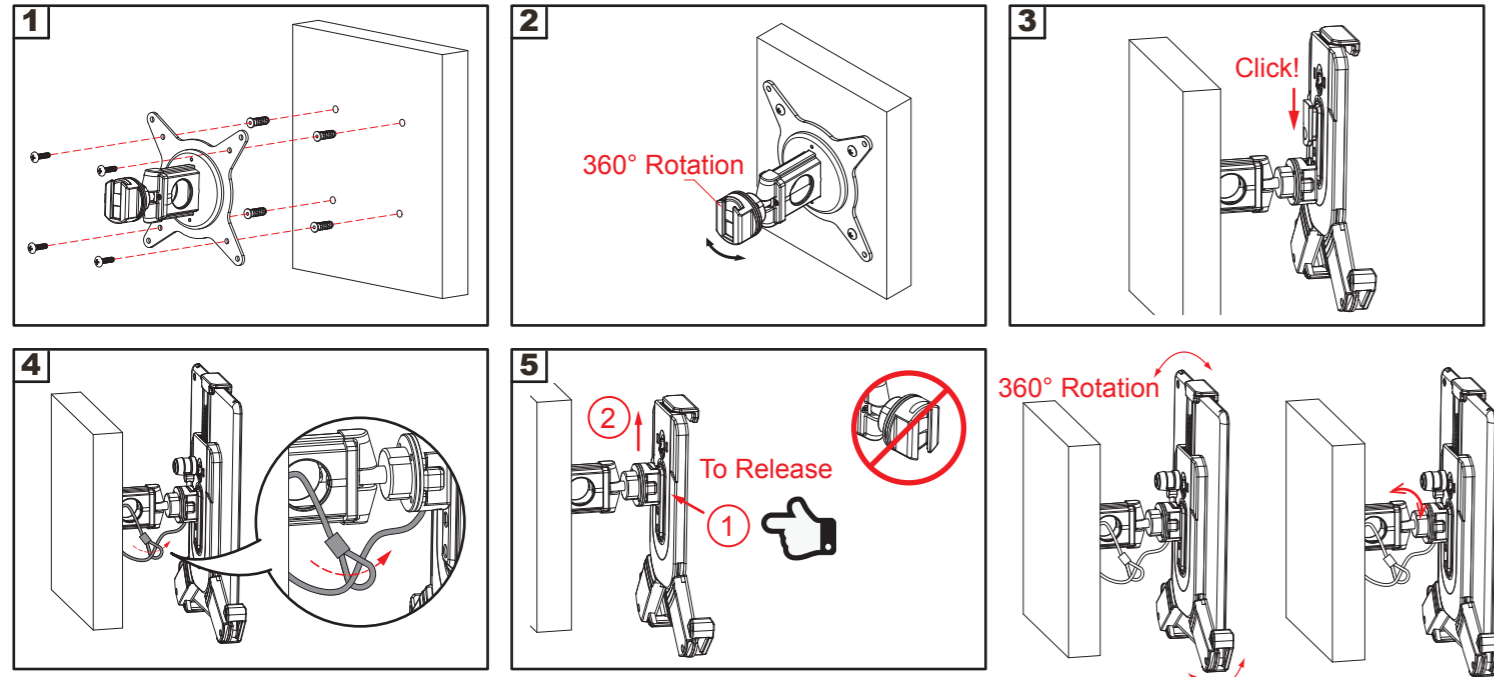
## PAD-TGSK

### Contents :



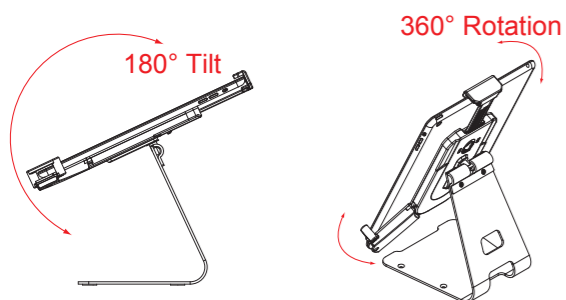
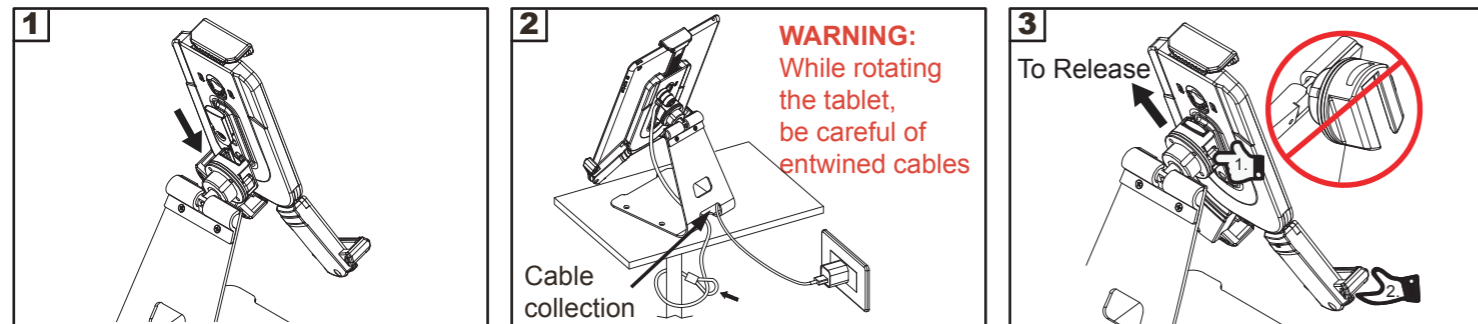
### Option 1 : Wall Mount

How to install the base on the wall : (A.B.C.D.E)

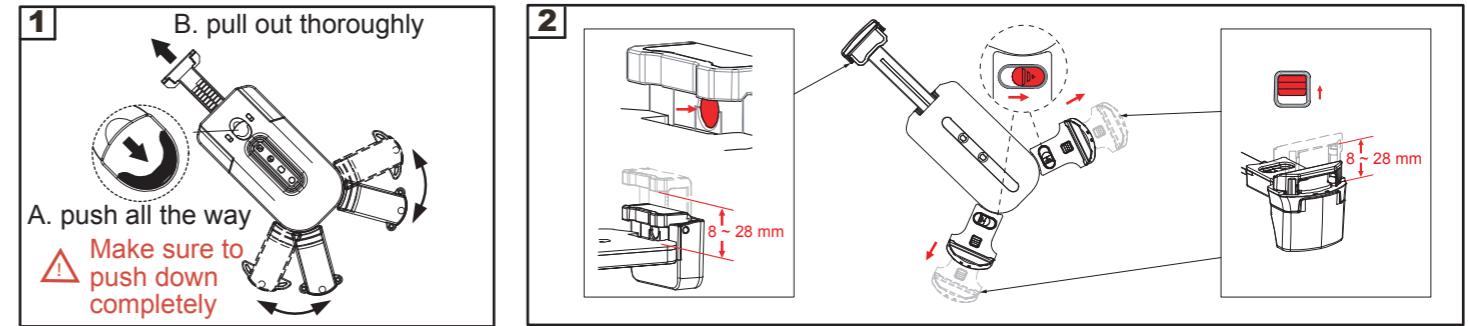


### Option 2 : Base Stand

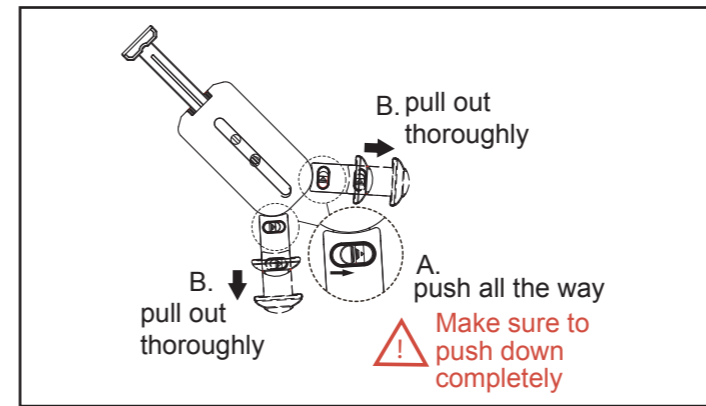
How to install the base on the wall : (A.B.F)



How to install the tablet on the holder :



For Tablet 10.1~13"



For Tablet 7.9~10"

