

WindFall®

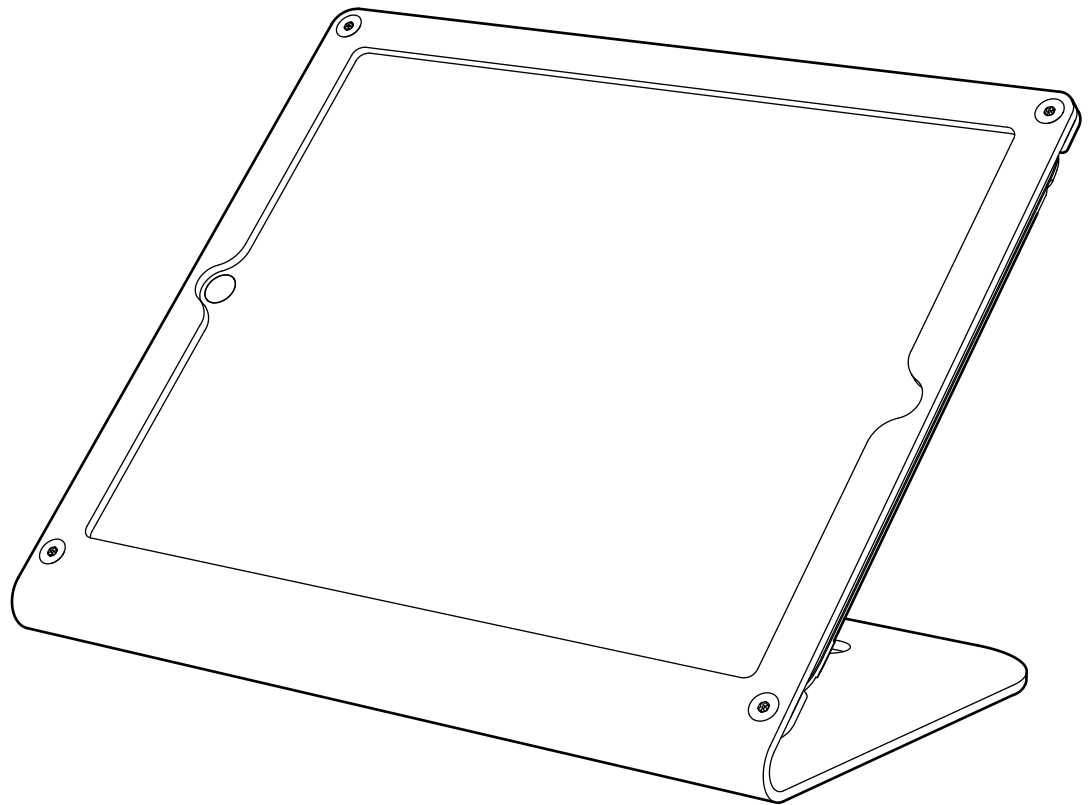
PRIME



STAND

Secure stand for iPad 10.2-inch 7th Generation

Assembly & Installation



Compatible with:

iPad 10.2-inch 7th Generation

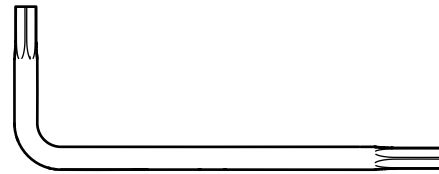
Limited Warranty

Heckler Design warrants your product to be free from defect in material and workmanship for a period of two years from the original date of purchase. Electronic components are warranted to be free from defect for a period of one year from the original date of purchase. If you discover a defect, please contact service@hecklerdesign.com. Heckler Design will repair, at our discretion, using new or refurbished components. If repair is not possible, Heckler Design will replace the item.

1x



F160



Torx assembly tool

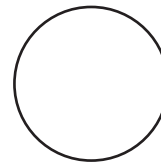


Keep your special assembly tool in a safe place.
To purchase a replacement, please contact
service@hecklerdesign.com.

4x



F581

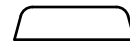


Felt Feet

4x

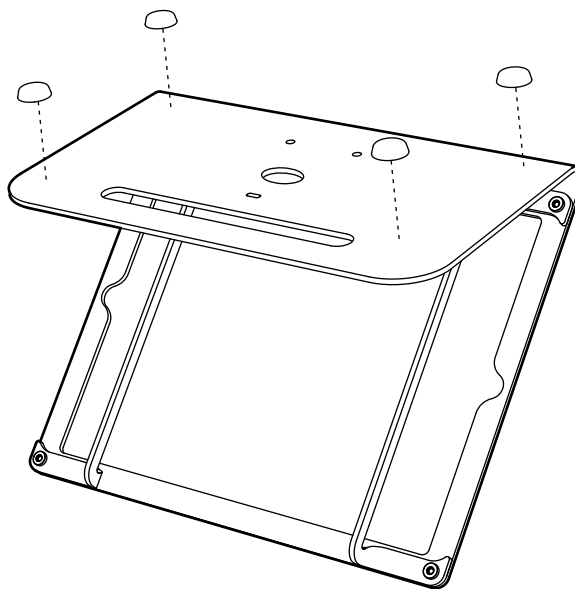
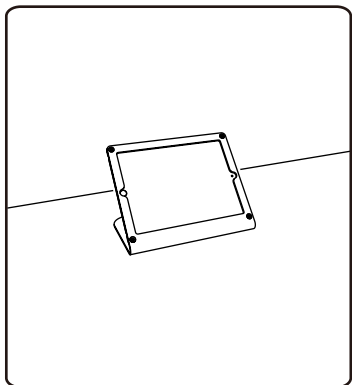


S130

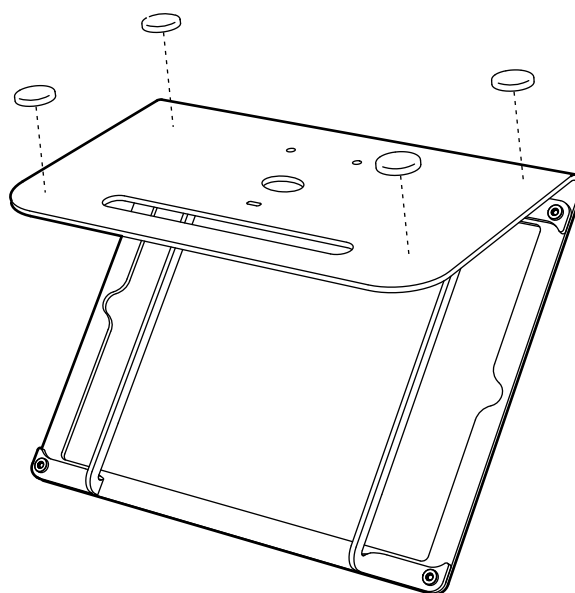
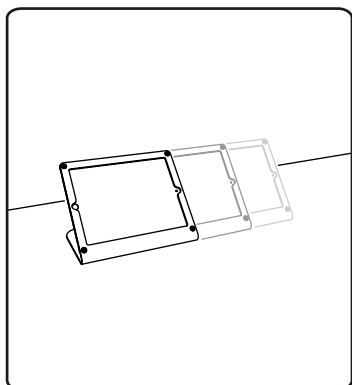
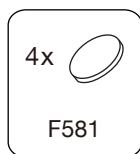


Friction Feet

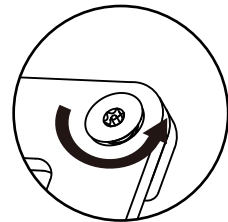
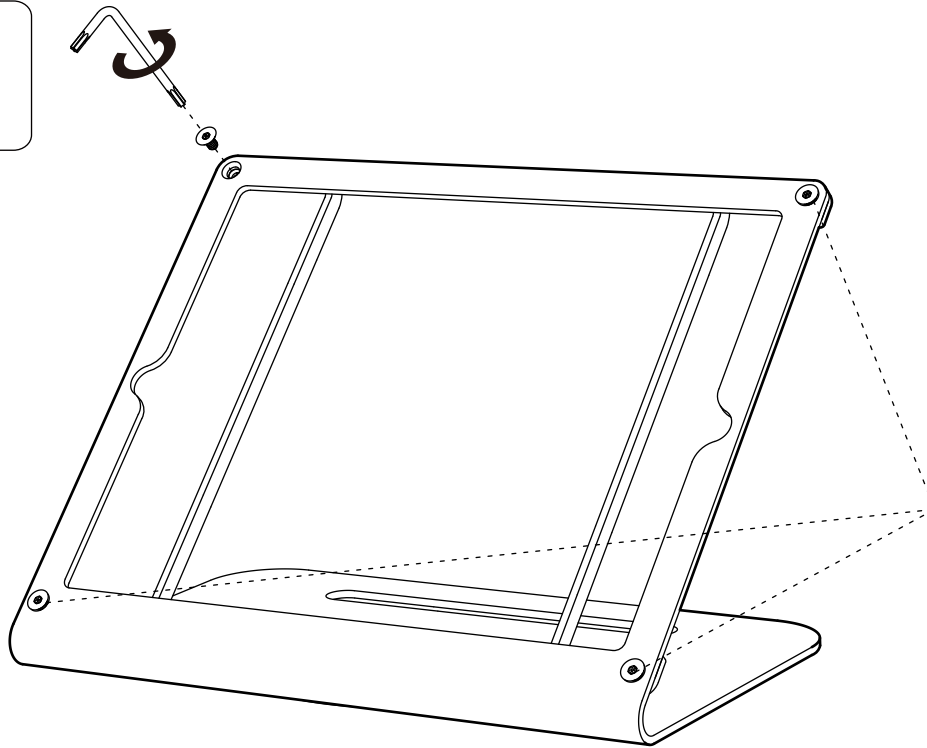
1A Install friction feet



1B Install sliding feet

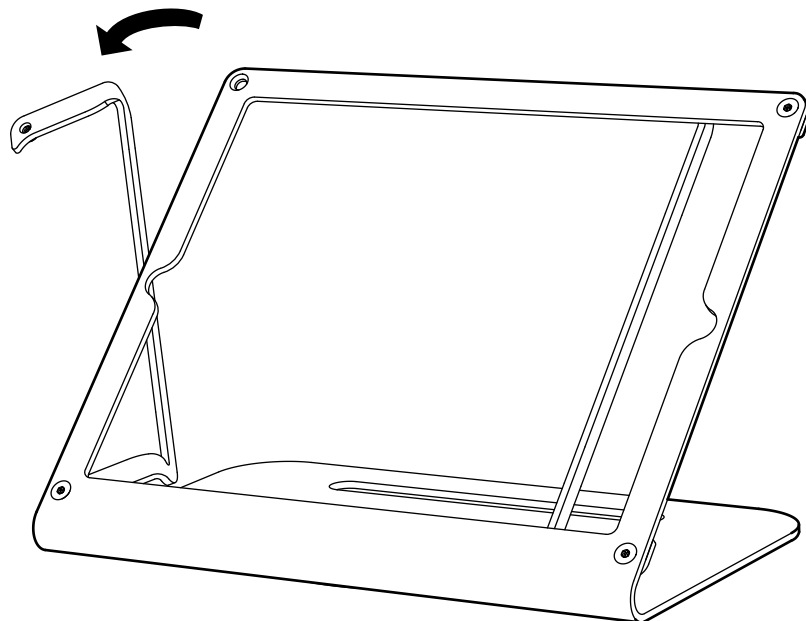


2 Loosen screws

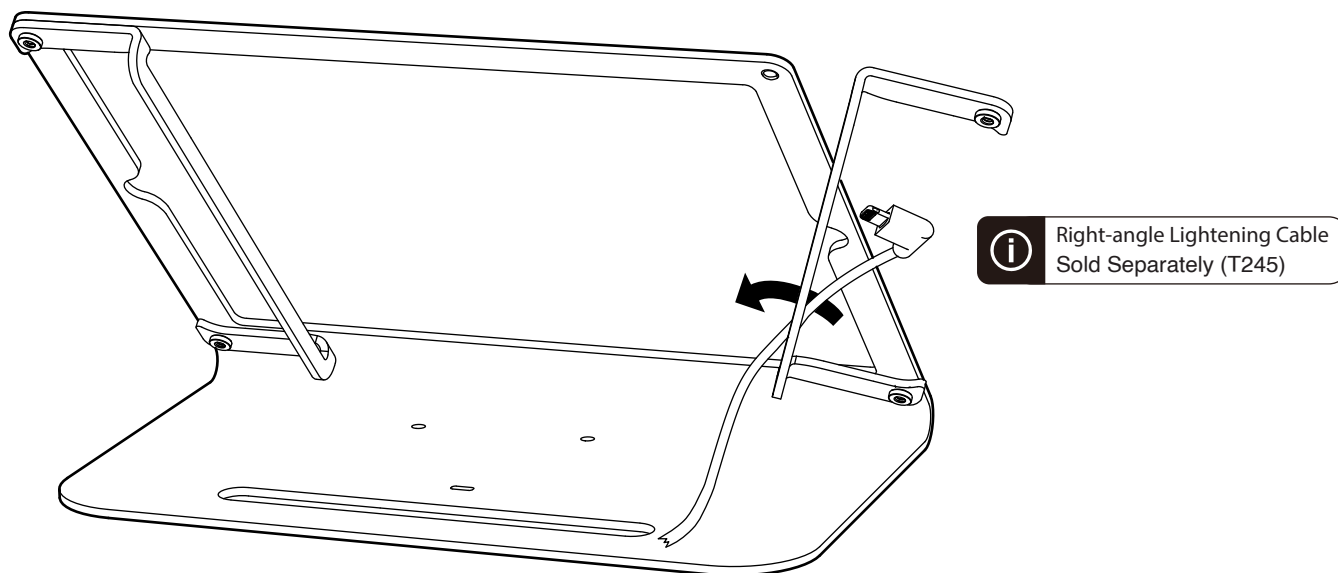


i Loosen, but do not remove.

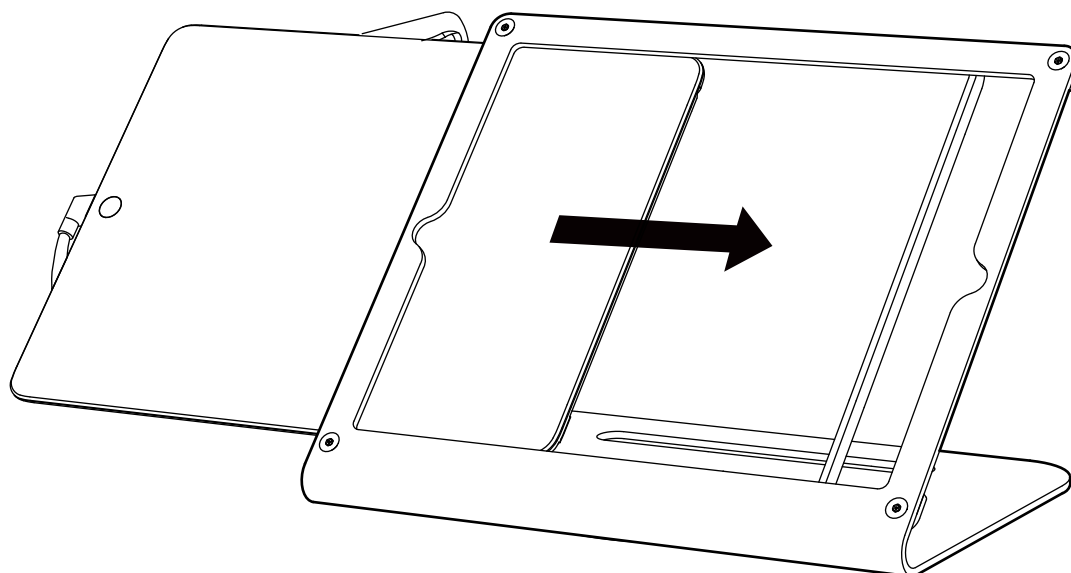
3 Swing bracket out



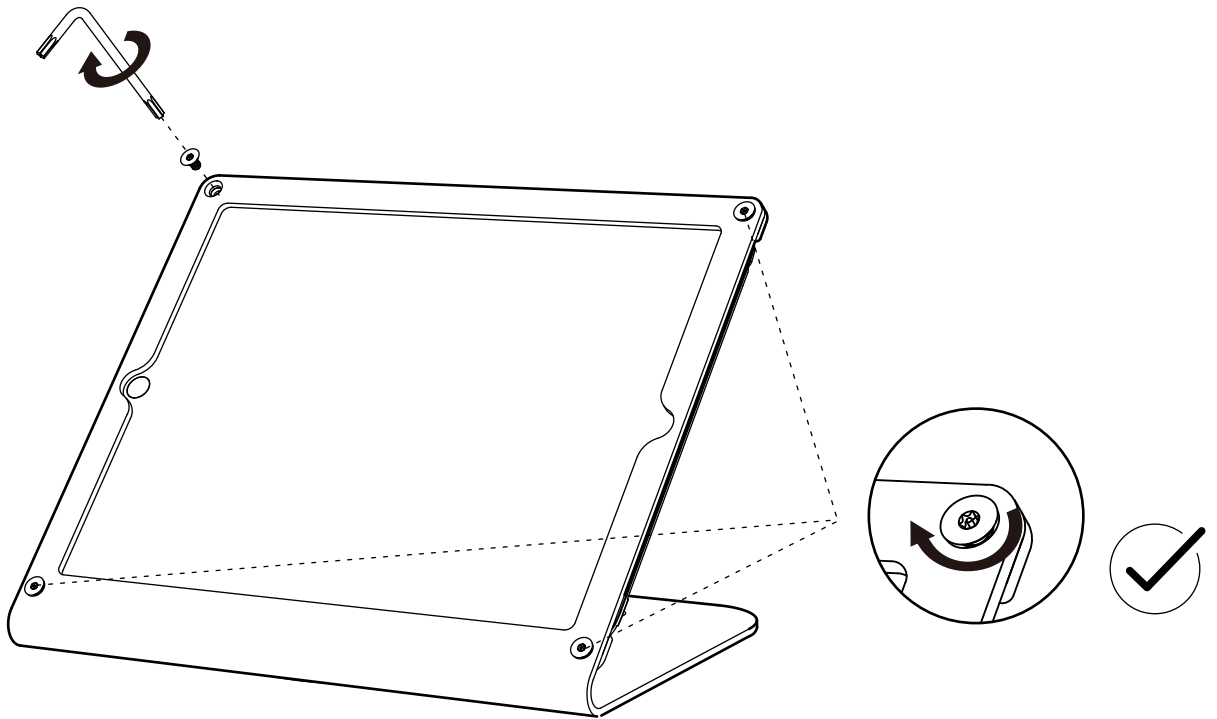
4 Route Lightning cable



5 Slide in the iPad



6 Tighten screws



WindFall®

PRIME

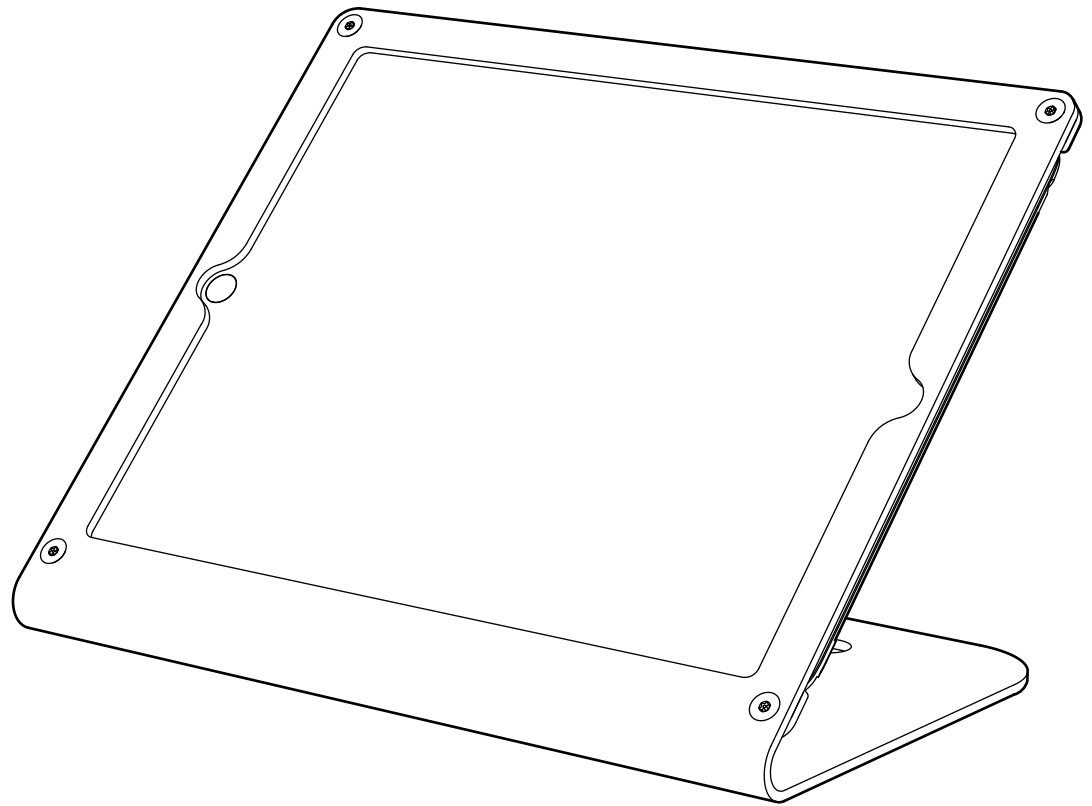


Hecklerdesign

STAND

Secure stand for iPad

Assembly & Installation



Compatible with:

iPad Air 1
iPad Air 2
iPad Pro 9.7-inch
iPad (5th Gen)
iPad (6th Gen)

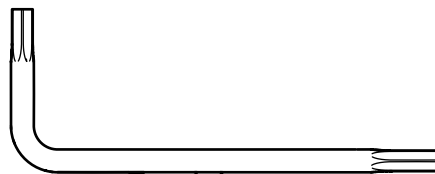
Limited Warranty

Heckler Design warrants your product to be free from defect in material and workmanship for a period of two years from the original date of purchase. Electronic components are warranted to be free from defect for a period of one year from the original date of purchase. If you discover a defect, please contact service@hecklerdesign.com. Heckler Design will repair, at our discretion, using new or refurbished components. If repair is not possible, Heckler Design will replace the item.


1x



F160



Torx assembly tool

 Keep your special assembly tool in a safe place. To purchase a replacement, please visit the online store.

4x



E126

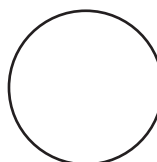


Adapter Clips

4x



F581

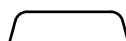


Felt Feet

4x

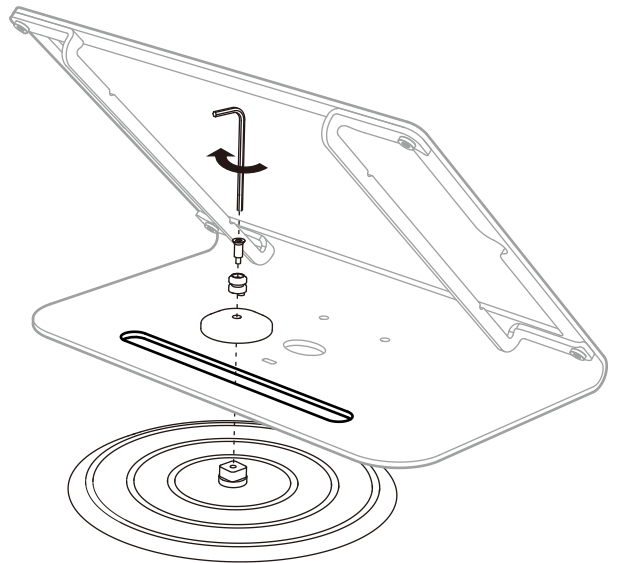
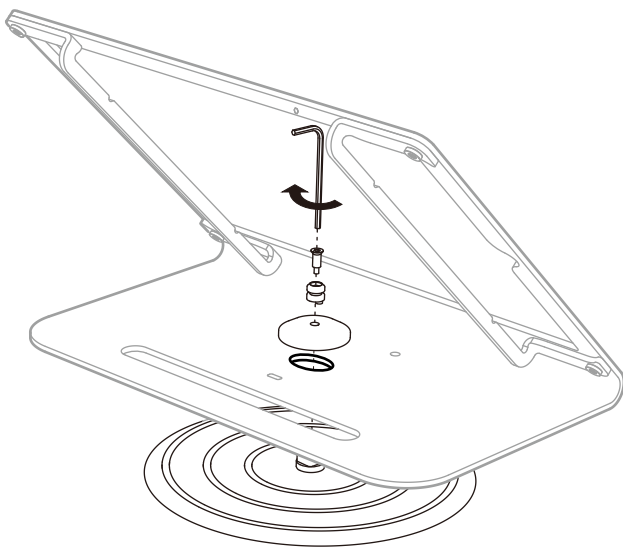


S130

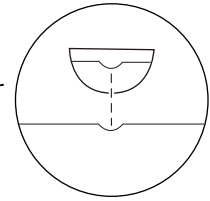
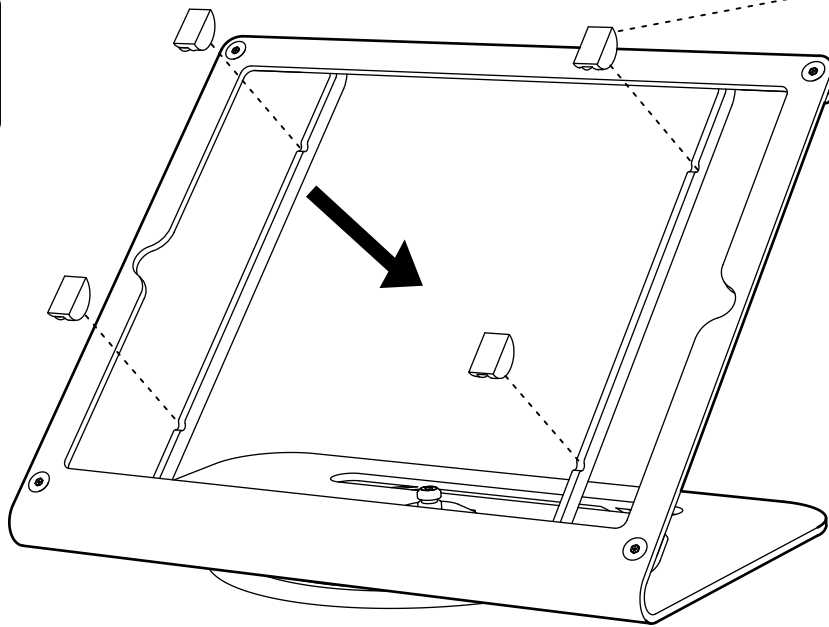
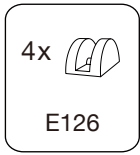


Friction Feet

2 Choose PivotTable location and install

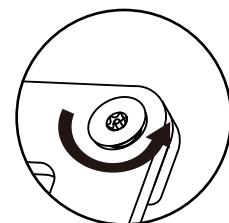
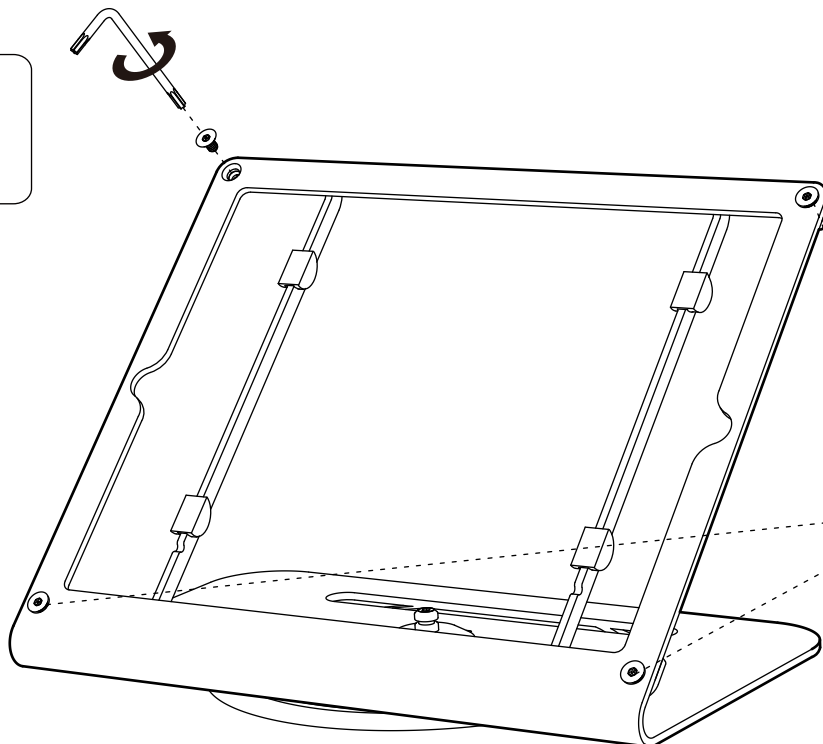


3 Install adapter clips



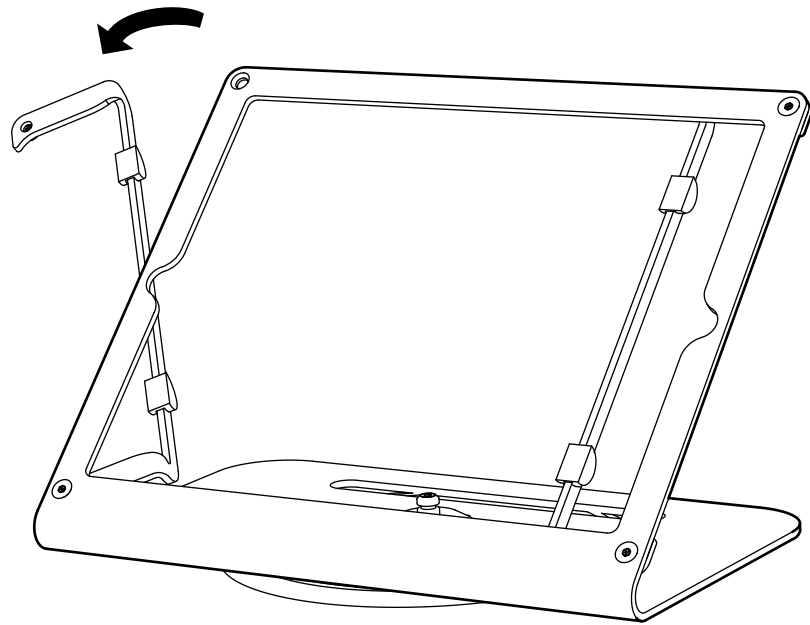
i Use with: iPad Air 2
iPad Pro 9.7-inch

4 Loosen screws

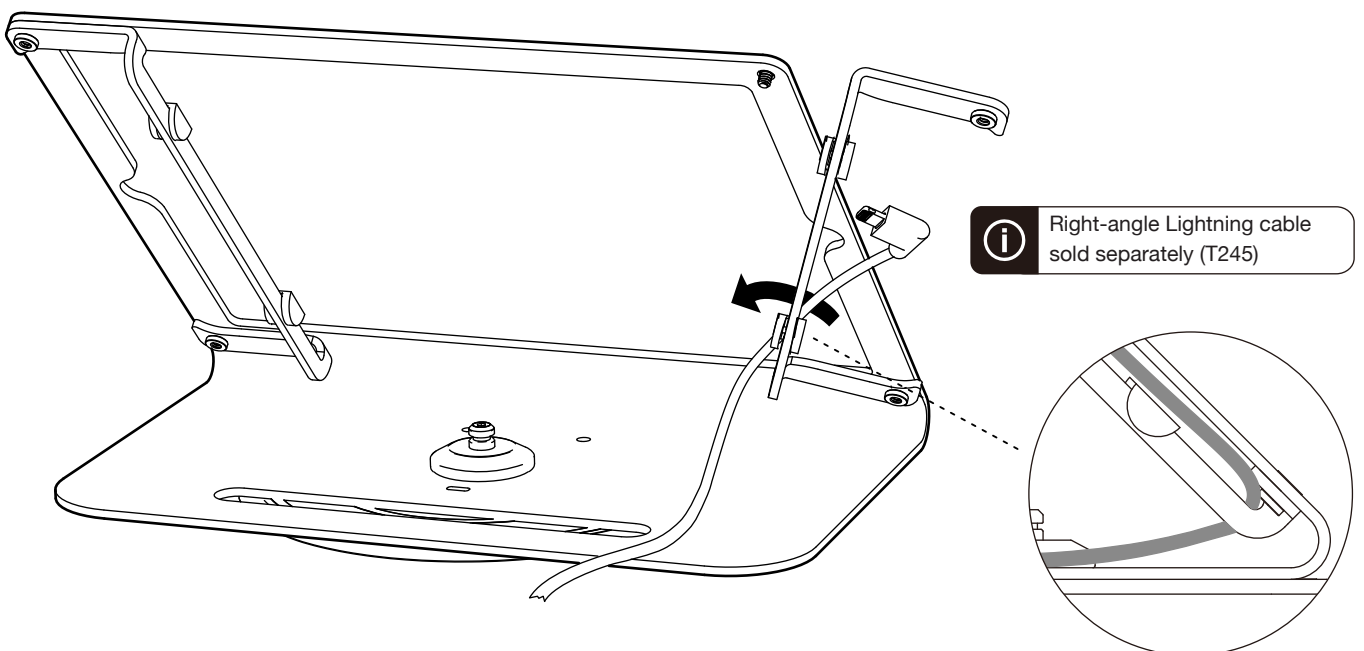


i Loosen, but
do not remove.

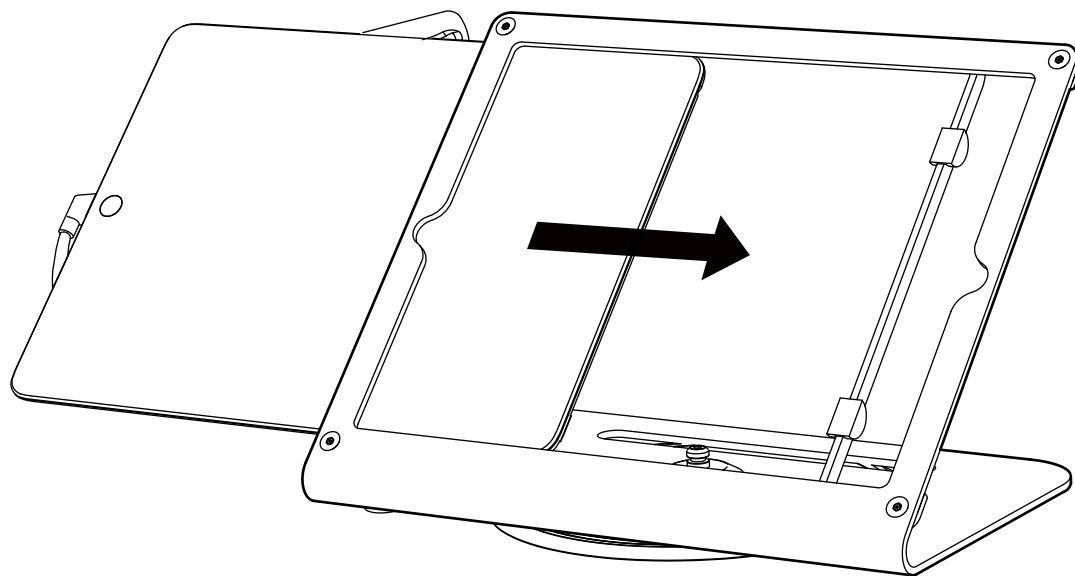
5 Swing bracket out



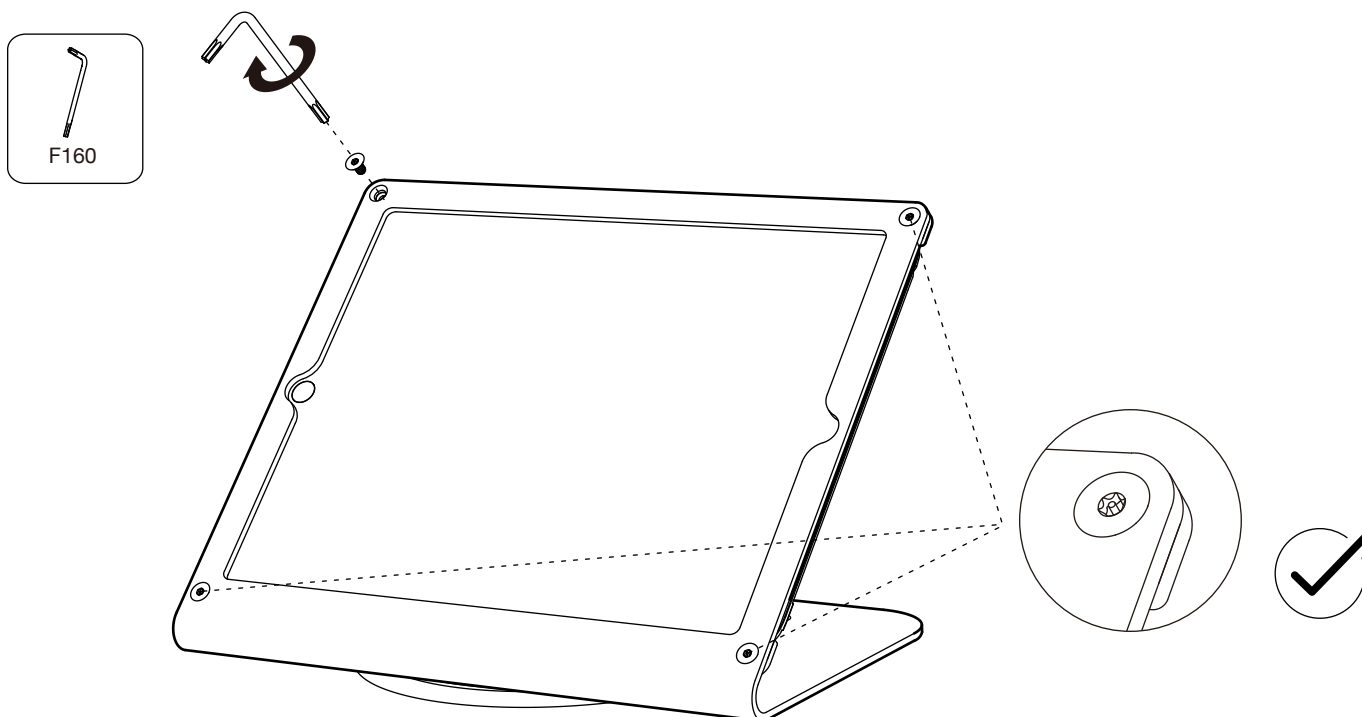
6 Route Lightning cable



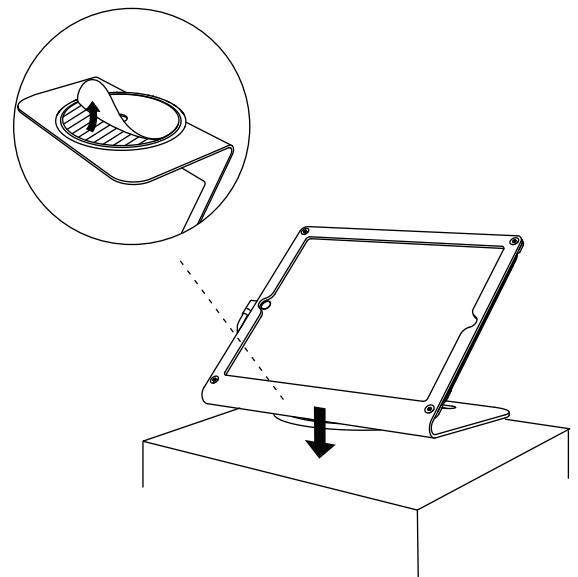
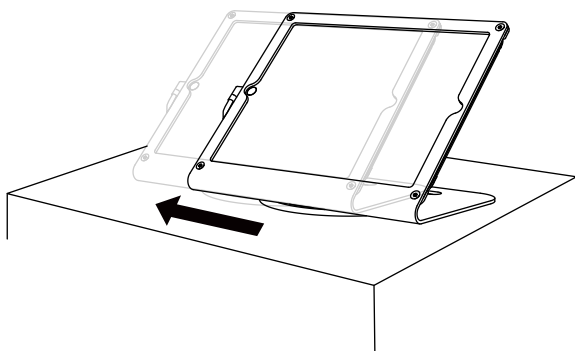
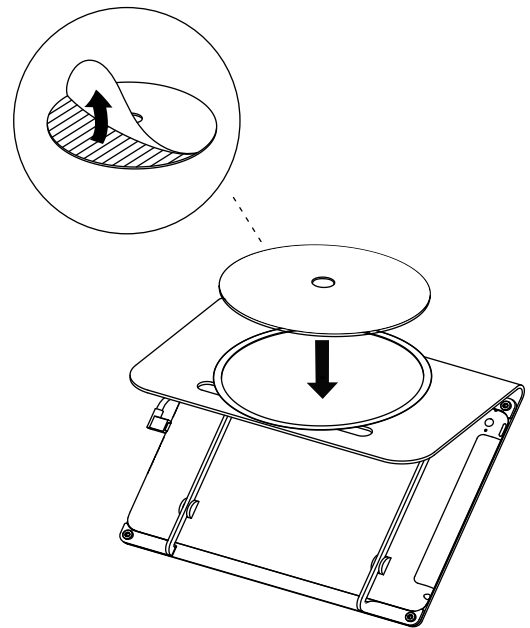
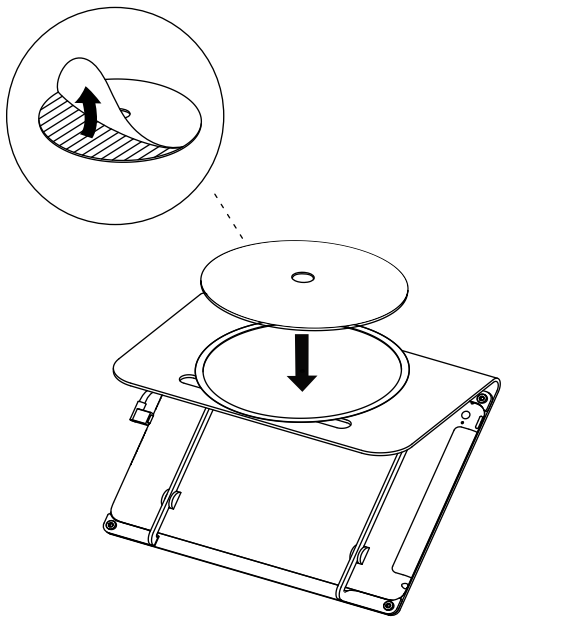
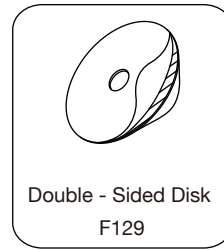
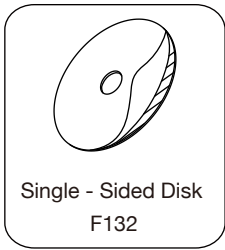
7 Slide in the iPad



8 Tighten screws

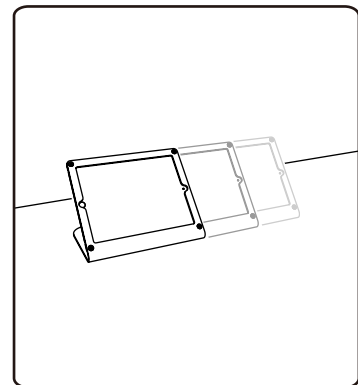
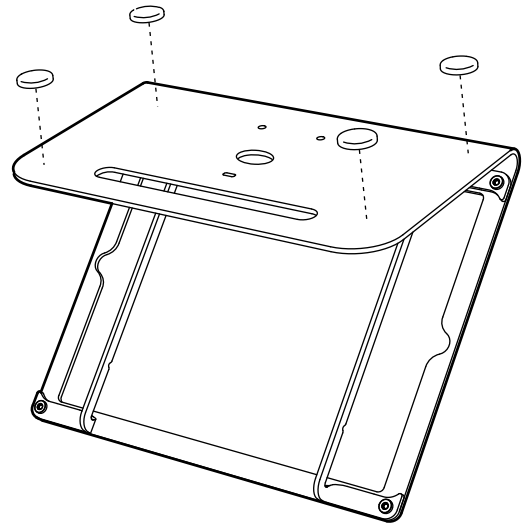
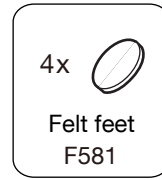
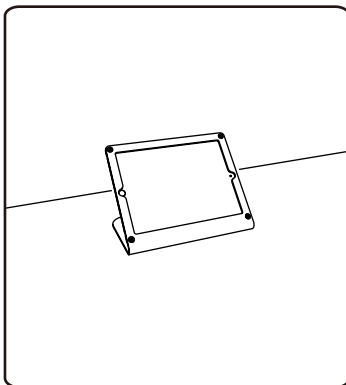
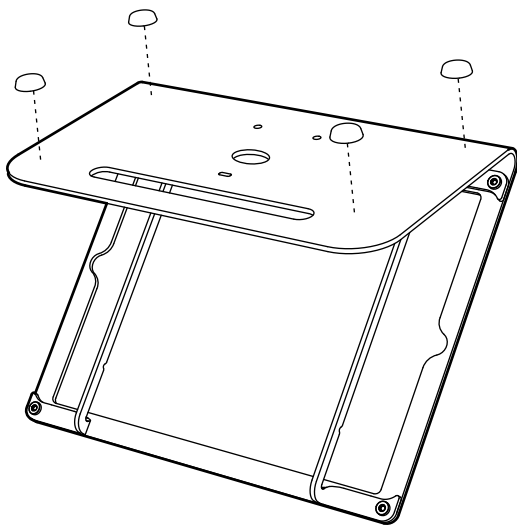


9 Choose & install PivotTable disk



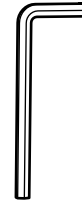
1 Choose & install appropriate feet

(skip this step if using PivotTable)



1x

5/64" Hex Key



F165

1x

Kensington Click Safe Adapter



F420

1x

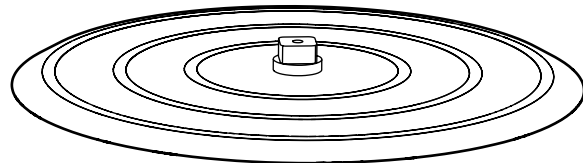
PivotTable Head



F115

1x

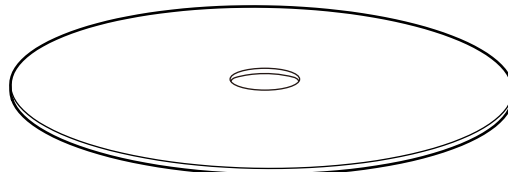
Flat PivotTable



E104

1x

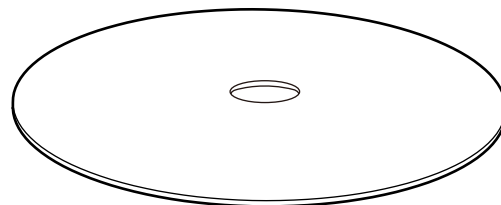
Double - Sided Disk



F129

1x

Single - Sided Disk

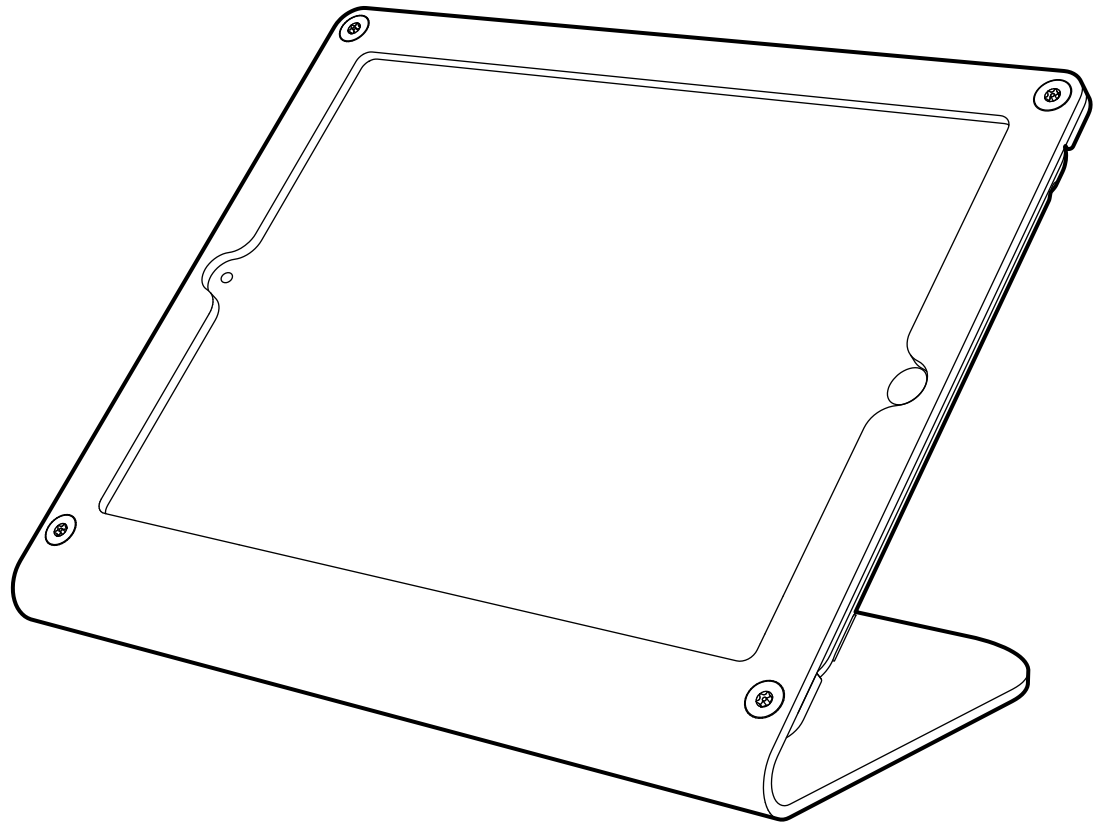


F132

WindFall® STAND

Secure Stand For iPad mini 1, 2, 3 & 4

Assembly & Installation



Compatible with:

iPad mini 1
iPad mini 2
iPad mini 3
iPad mini 4

Limited Warranty

Heckler Design warrants your product to be free from defect in material and workmanship for a period of two years from the original date of purchase. Electronic components are warranted to be free from defect for a period of one year from the original date of purchase. If you discover a defect, please contact service@hecklerdesign.com. Heckler Design will repair, at our discretion, using new or refurbished components. If repair is not possible, Heckler Design will replace the item.



1x
T10 Security
Torx Key
F160



4x
Screw Cap
E123



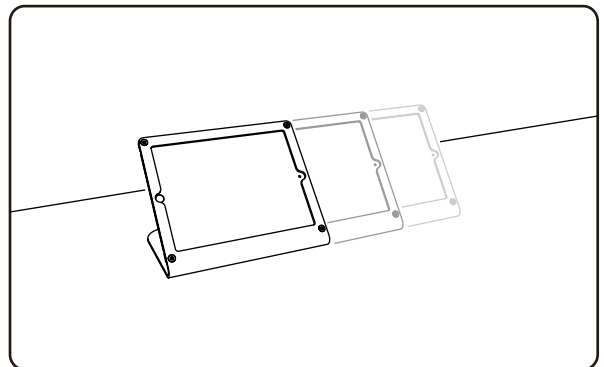
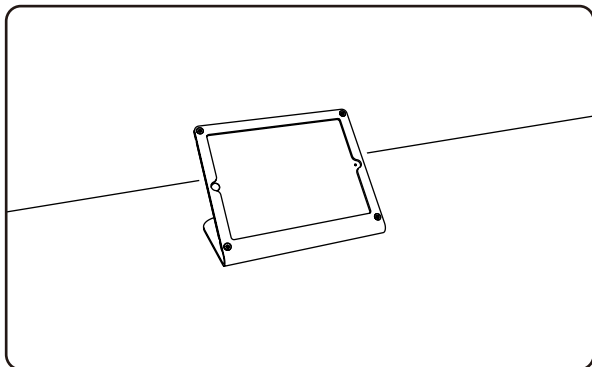
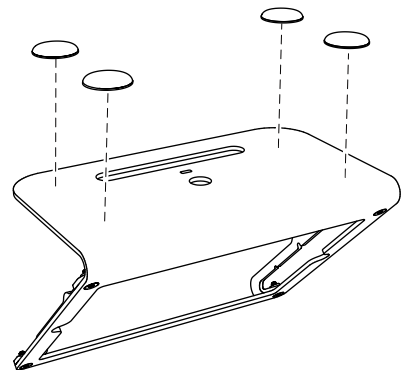
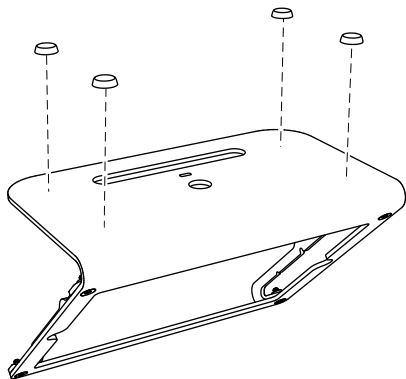
4x
Friction Feet
S130



4x
Adapter Clips for
iPad mini 4
E125



4x
Magic Slider
S145



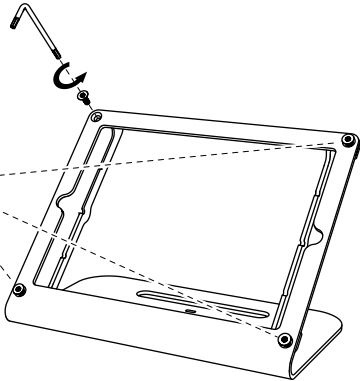
1



F160



i Loosen, but do not remove.



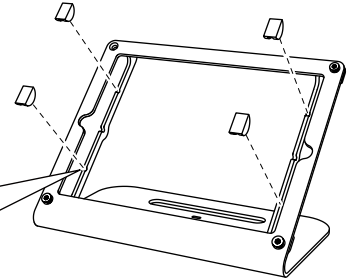
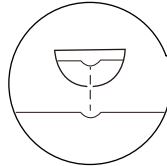
Adapter Clips For iPad Mini 4



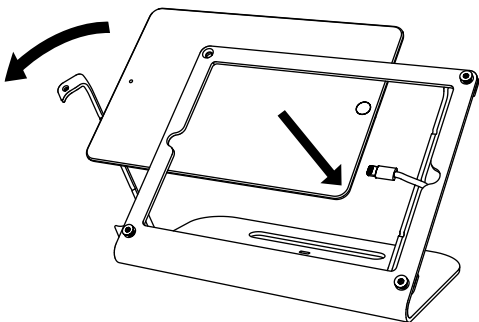
E125



iPad Mini 4



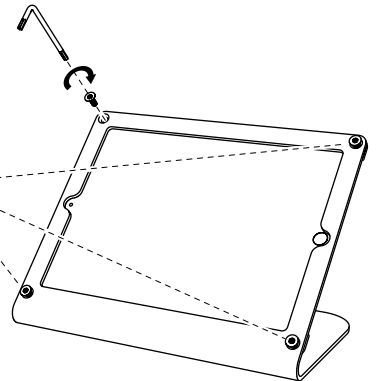
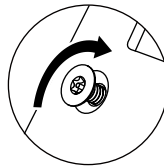
2



3



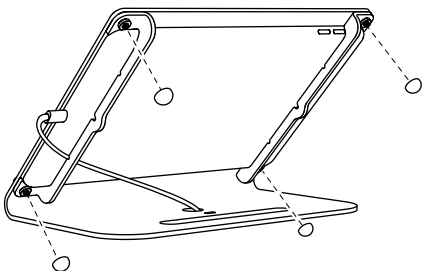
F160



4

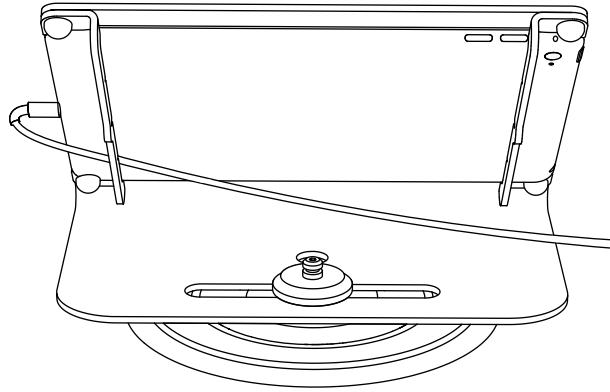
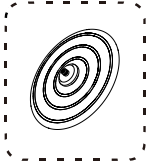


E123

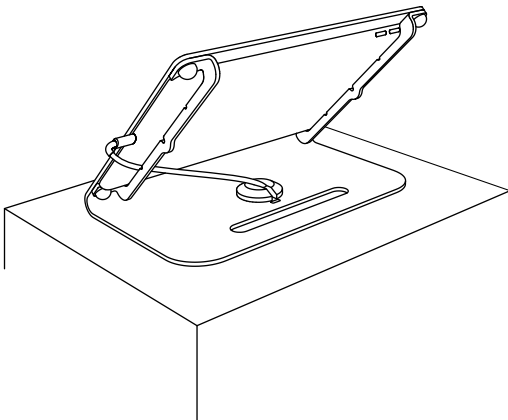
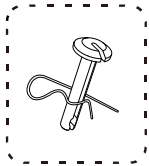


Other Security Options

PivotTable Kit (Sold Separately)



PivotTack (Sold Separately)



Kensington ClickSafe Cable Lock (Sold Separately)

