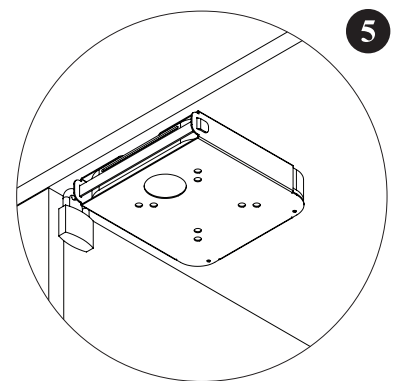
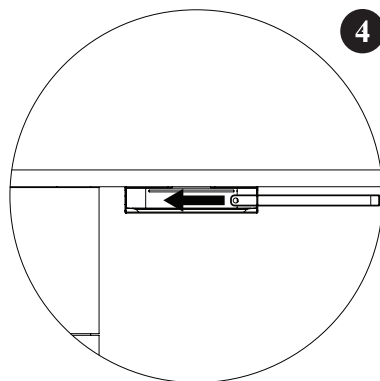
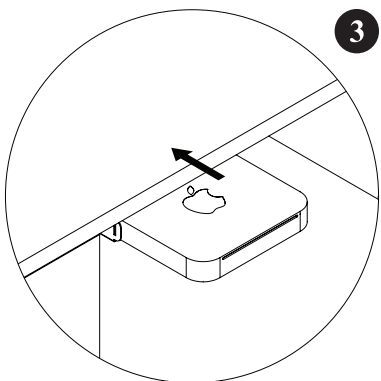
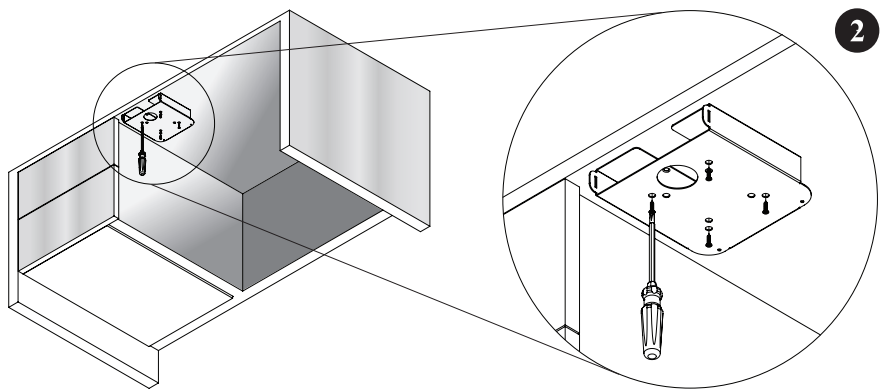
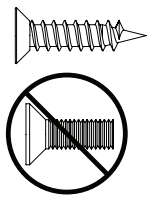
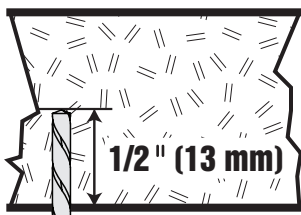
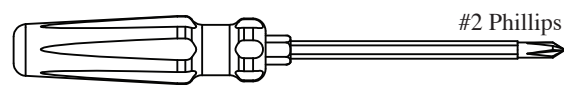
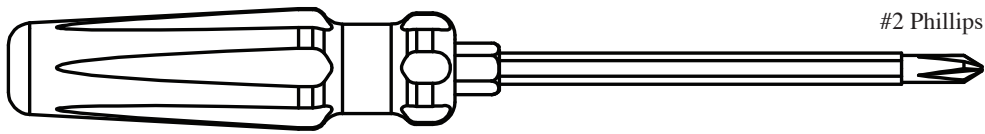


3/32 inch  
(2.5 mm)





#2 Phillips

