

NZXT

THE NEW STANDARD

COMPACT MID-TOWER ATX CASE

EXPLODED VIEW

VISTA EXPLOSIONADA
VUE EN ÉCLATÉ
EXPLOSIONSDARSTELLUNG
VEDUTA IN ESPLO
VISTA EXPLODADA
ТРЕХМЕРНОЕ ПРЕДСТАВЛЕНИЕ ДЕТАЛЕЙ

爆炸圖
爆炸圖
爆炸圖
爆炸圖
爆炸圖

爆炸圖
爆炸圖
爆炸圖
爆炸圖
爆炸圖

爆炸圖
爆炸圖
爆炸圖
爆炸圖
爆炸圖

爆炸圖
爆炸圖
爆炸圖
爆炸圖
爆炸圖

爆炸圖
爆炸圖
爆炸圖
爆炸圖
爆炸圖

爆炸圖
爆炸圖
爆炸圖
爆炸圖
爆炸圖

爆炸圖
爆炸圖
爆炸圖
爆炸圖
爆炸圖

爆炸圖
爆炸圖
爆炸圖
爆炸圖
爆炸圖

爆炸圖
爆炸圖
爆炸圖
爆炸圖
爆炸圖

爆炸圖
爆炸圖
爆炸圖
爆炸圖
爆炸圖

爆炸圖
爆炸圖
爆炸圖
爆炸圖
爆炸圖

爆炸圖
爆炸圖
爆炸圖
爆炸圖
爆炸圖

爆炸圖
爆炸圖
爆炸圖
爆炸圖
爆炸圖

爆炸圖
爆炸圖
爆炸圖
爆炸圖
爆炸圖

爆炸圖
爆炸圖
爆炸圖
爆炸圖
爆炸圖

爆炸圖
爆炸圖
爆炸圖
爆炸圖
爆炸圖

爆炸圖
爆炸圖
爆炸圖
爆炸圖
爆炸圖

爆炸圖
爆炸圖
爆炸圖
爆炸圖
爆炸圖

爆炸圖
爆炸圖
爆炸圖
爆炸圖
爆炸圖

爆炸圖
爆炸圖
爆炸圖
爆炸圖
爆炸圖

爆炸圖
爆炸圖
爆炸圖
爆炸圖
爆炸圖

爆炸圖
爆炸圖
爆炸圖
爆炸圖
爆炸圖

爆炸圖
爆炸圖
爆炸圖
爆炸圖
爆炸圖

爆炸圖
爆炸圖
爆炸圖
爆炸圖
爆炸圖

爆炸圖
爆炸圖
爆炸圖
爆炸圖
爆炸圖

爆炸圖
爆炸圖
爆炸圖
爆炸圖
爆炸圖

爆炸圖
爆炸圖
爆炸圖
爆炸圖
爆炸圖

爆炸圖
爆炸圖
爆炸圖
爆炸圖
爆炸圖

爆炸圖
爆炸圖
爆炸圖
爆炸圖
爆炸圖

爆炸圖
爆炸圖
爆炸圖
爆炸圖
爆炸圖

爆炸圖
爆炸圖
爆炸圖
爆炸圖
爆炸圖

爆炸圖
爆炸圖
爆炸圖
爆炸圖
爆炸圖

爆炸圖
爆炸圖
爆炸圖
爆炸圖
爆炸圖

爆炸圖
爆炸圖
爆炸圖
爆炸圖
爆炸圖

爆炸圖
爆炸圖
爆炸圖
爆炸圖
爆炸圖

爆炸圖
爆炸圖
爆炸圖
爆炸圖
爆炸圖

爆炸圖
爆炸圖
爆炸圖
爆炸圖
爆炸圖

爆炸圖
爆炸圖
爆炸圖
爆炸圖
爆炸圖

爆炸圖
爆炸圖
爆炸圖
爆炸圖
爆炸圖

爆炸圖
爆炸圖
爆炸圖
爆炸圖
爆炸圖

爆炸圖
爆炸圖
爆炸圖
爆炸圖
爆炸圖

爆炸圖
爆炸圖
爆炸圖
爆炸圖
爆炸圖

爆炸圖
爆炸圖
爆炸圖
爆炸圖
爆炸圖

爆炸圖
爆炸圖
爆炸圖
爆炸圖
爆炸圖

爆炸圖
爆炸圖
爆炸圖
爆炸圖
爆炸圖

爆炸圖
爆炸圖
爆炸圖
爆炸圖
爆炸圖

爆炸圖
爆炸圖
爆炸圖
爆炸圖
爆炸圖

爆炸圖
爆炸圖
爆炸圖
爆炸圖
爆炸圖

爆炸圖
爆炸圖
爆炸圖
爆炸圖
爆炸圖

爆炸圖
爆炸圖
爆炸圖
爆炸圖
爆炸圖

爆炸圖
爆炸圖
爆炸圖
爆炸圖
爆炸圖

爆炸圖
爆炸圖
爆炸圖
爆炸圖
爆炸圖

爆炸圖
爆炸圖
爆炸圖
爆炸圖
爆炸圖

爆炸圖
爆炸圖
爆炸圖
爆炸圖
爆炸圖

爆炸圖
爆炸圖
爆炸圖
爆炸圖
爆炸圖

爆炸圖
爆炸圖
爆炸圖
爆炸圖
爆炸圖

爆炸圖
爆炸圖
爆炸圖
爆炸圖
爆炸圖

爆炸圖
爆炸圖
爆炸圖
爆炸圖
爆炸圖

爆炸圖
爆炸圖
爆炸圖
爆炸圖
爆炸圖

爆炸圖
爆炸圖
爆炸圖
爆炸圖
爆炸圖

爆炸圖
爆炸圖
爆炸圖
爆炸圖
爆炸圖

爆炸圖
爆炸圖
爆炸圖
爆炸圖
爆炸圖

爆炸圖
爆炸圖
爆炸圖
爆炸圖
爆炸圖

爆炸圖
爆炸圖
爆炸圖
爆炸圖
爆炸圖

爆炸圖
爆炸圖
爆炸圖
爆炸圖
爆炸圖

爆炸圖
爆炸圖
爆炸圖
爆炸圖
爆炸圖

爆炸圖
爆炸圖
爆炸圖
爆炸圖
爆炸圖

爆炸圖
爆炸圖
爆炸圖
爆炸圖
爆炸圖

爆炸圖
爆炸圖
爆炸圖
爆炸圖
爆炸圖

爆炸圖
爆炸圖
爆炸圖
爆炸圖
爆炸圖

爆炸圖
爆炸圖
爆炸圖
爆炸圖
爆炸圖

1 TOP EXHAUST FAN

2 TOP RGB LED STRIP (H510i)

3 REAR EXHAUST FAN

4 PSU DUST FILTER

5 VERTICAL GPU MOUNT (H510)

6 LEFT TEMPERED GLASS SIDE PANEL

7 CABLE BAR

8 CABLE BAR RGB LED STRIP (H510)

9 FRONT I/O

10 SMART DEVICE V2 (H510i)

11 RIGHT METAL PANEL

12 SSD TRAY

13 FRONT RIGHT DUST FILTER

14 HDD CAGE

15 FRONT BOTTOM DUST FILTER

16 CHASSIS

17 FRONT COOLER BRACKET

1. Lüfter für Luftaussan an Oberseite

2. RGB-LED-Streifen an Oberseite (H510i)

3. Lüfter für Luftaussan an Rückseite

4. Filter für Luftaussan an Rückseite

5. Support vertical GPU (H510)

6. Panneau latéral gauche en verre trempé

7. Barre pour la gestion des câbles

8. Bande LED de la barre de câbles (H510)

9. E/S frontal

10. Dispositif intelligent V2 (H510i)

11. Panneau métallique droit

12. Bandeja unidad de estado sólido

13. Filtro antipolvo delantero derecho

14. Compartimento do disco rígido

15. Filtro antipolvo delantero (bajo)

16. Chassis

17. Soporte del refrigerador frontal

1. Ventilateur en extraction du haut

2. Bande LED RVB du dessus (H510i)

3. Ventilateur d'échappement arrière

4. Filtre à poussière du bloc d'alimentation

5. Support vertical pour GPU (H510)

6. Panneau latéral gauche en verre trempé

7. Barre pour la gestion des câbles

8. Bande LED de la barre cache câbles (H510)

9. E/S avant

10. Dispositif intelligent V2 (H510i)

11. Panneau métallique droit

12. Plateau SSD

13. Filtre antipolvo frontal droit

14. Plateau pour disque dur

15. Filtre à poussière avant (dessus)

16. Châssis

17. Support du dissipateur avant

1. Lüfter für Luftaussan an Oberseite

2. Stricia LED RGB superiore (H510i)

3. Ventola di scarico posteriore

4. Filtro polvere alimentare

5. Supporto Verticale per GPU (H510)

6. Pannello laterale sinistro in vetro temperato

7. Barra di gestione dei cavi

8. Kabelleisten- RGB-LED-Strip (H510)

9. E/S anteriore

10. Dispositivo intelligente V2 (H510i)

11. Pannello destro in metallo

12. Cassetto SSD

13. Filtro antipolvo frontale destro

14. Cassetto HDD

15. Filtro antipolvo frontale inferiore

16. Chassis

17. Staffa raffreddamento anteriore

1. Ventola di scarico superiore

2. Stricia LED RGB superiore (H510i)

3. Ventoinha de exaustão traseira

4. Filtro de pó do PSU

5. Montagem Vertical GPU (H510)

6. Vidro temperado do painel lateral esquerdo

7. Barra de limpeza

8. Barra para cabos com fita de LED RGB (H510)

9. E/S frontal

10. Dispositivo inteligente V2 (H510i)

11. Painel de metal direito

12. Tabuleiro de SSD

13. Filtro de pó do lado direito da frente

14. Bandeja de unidade de disco rígido

15. Filtro de pó do fundo da frente

16. Chassi

17. Suporte da ventoinha frontal

1. Ventoinha de exaustão da parte superior

2. Stricia LED RGB superiore (H510i)

3. Zadoriy vytyazhnoy ventilator

4. Пылевой фильтр блока питания

5. Вертикальное крепление графического процессора (H510)

6. Левая боковая панель из закаленного стекла

7. Панель Clean swiсher

8. LED-лента RGB-подсветки на кабельной планке (H510)

9. Разъемы спереди

10. Интеллектуальное устройство V2 (H510i)

11. Правая металлическая панель

12. Лоток для твердых накопителей

13. Передний правый воздушный фильтр

14. Лоток для жесткого диска

15. Передний нижний воздушный фильтр

16. Корпус

17. Кронштейн передней системы охлаждения

9 FRONT I/O

10 SMART DEVICE V2 (H510i)

11 RIGHT METAL PANEL

12 SSD TRAY

13 FRONT RIGHT DUST FILTER

14 HDD CAGE

15 FRONT BOTTOM DUST FILTER

16 CHASSIS

17 FRONT COOLER BRACKET

1. Верхний вытяжной вентилятор

2. Stricia LED RGB superiore (H510i)

3. Задний вытяжной вентилятор

4. Пылевой фильтр блока питания

5. Вертикальное крепление графического процессора (H510)

6. Левая боковая панель из закаленного стекла

7. Панель Clean swiсher

8. LED-лента RGB-подсветки на кабельной планке (H510)

9. Разъемы спереди

10. Интеллектуальное устройство V2 (H510i)

11. Правая металлическая панель

12. Лоток для твердых накопителей

13. Передний правый воздушный фильтр

14. Лоток для жесткого диска

15. Передний нижний воздушный фильтр

16. Корпус

17. Кронштейн передней системы охлаждения

1. Ventoinha de exaustão da parte superior

2. Stricia LED RGB superiore (H510i)

3. Zadoriy vytyazhnoy ventilator

4. Пылевой фильтр блока питания

5. Вертикальное крепление графического процессора (H510)

6. Левая боковая панель из закаленного стекла

7. Панель Clean swiсher

8. LED-лента RGB-подсветки на кабельной планке (H510)

9. Разъемы спереди

10. Интеллектуальное устройство V2 (H510i)

11. Правая металлическая панель

12. Лоток для твердых накопителей

13. Передний правый воздушный фильтр

14. Лоток для жесткого диска

15. Передний нижний воздушный фильтр

16. Корпус

17. Кронштейн передней системы охлаждения

1. Верхний вытяжной вентилятор

2. Stricia LED RGB superiore (H510i)

3. Задний вытяжной вентилятор

4. Пылевой фильтр блока питания

5. Вертикальное крепление графического процессора (H510)

6. Левая боковая панель из закаленного стекла

7. Панель Clean swiсher

8. LED-лента RGB-подсветки на кабельной планке (H510)

9. Разъемы спереди

10. Интеллектуальное устройство V2 (H510i)

11. Правая металлическая панель

12. Лоток для твердых накопителей

13. Передний правый воздушный фильтр

14. Лоток для жесткого диска

15. Передний нижний воздушный фильтр

16. Корпус

17. Кронштейн передней системы охлаждения

9 FRONT I/O

10 SMART DEVICE V2 (H510i)

11 RIGHT METAL PANEL

12 SSD TRAY

13 FRONT RIGHT DUST FILTER

14 HDD CAGE

15 FRONT BOTTOM DUST FILTER

16 CHASSIS

17 FRONT COOLER BRACKET

1. Верхний вытяжной вентилятор

2. Stricia LED RGB superiore (H510i)

3. Задний вытяжной вентилятор

4. Пылевой фильтр блока питания

5. Вертикальное крепление графического процессора (H510)

6. Левая боковая панель из закаленного стекла

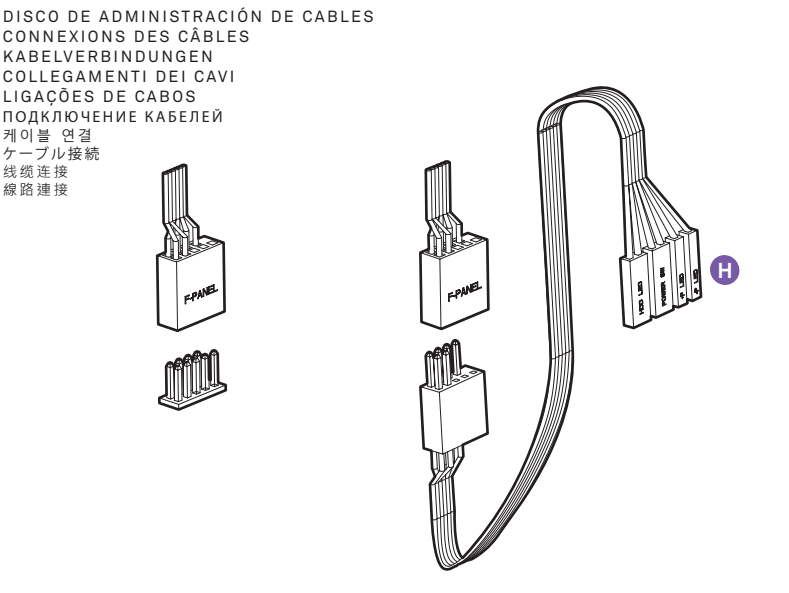
7. Панель Clean swiсher

8. LED-лента RGB-подсветки на кабельной планке (H510)

9. Разъемы спереди

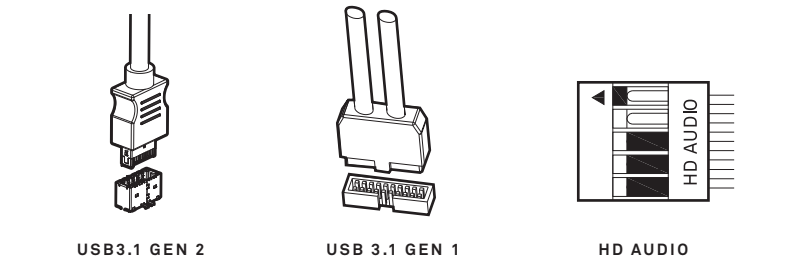
10. Интеллектуальное устройство V2 (H510i)

CABLE CONNECTIONS



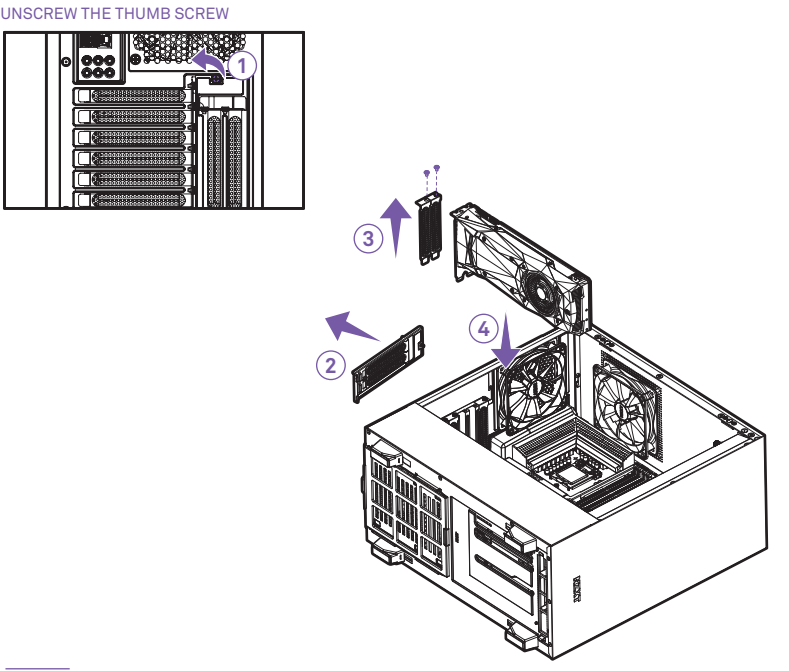
FOR INTEL STANDARD F_PANEL HEADER USE

FOR NON-INTEL STANDARD F_PANEL HEADER USE



EXPANSION CARD INSTALLATION

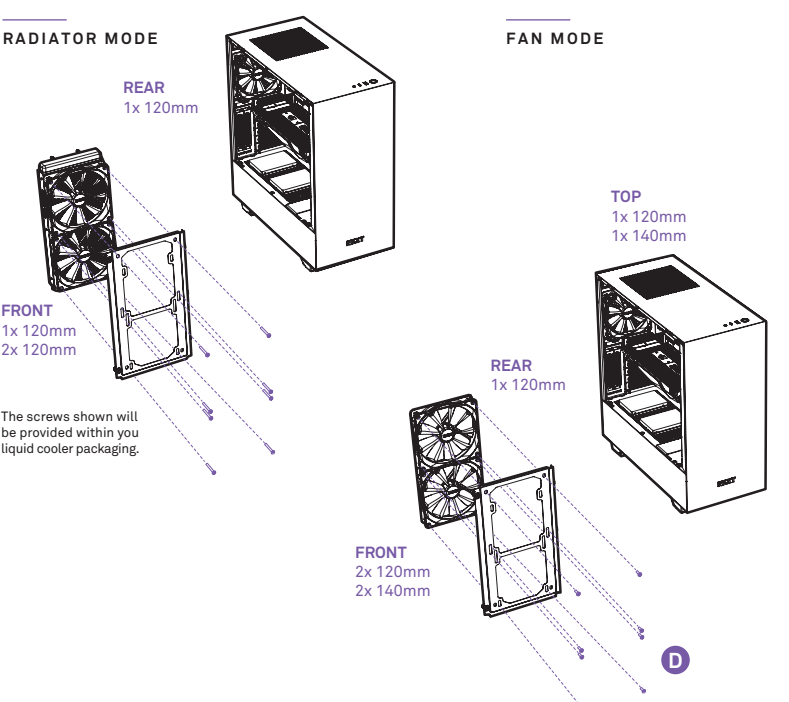
INSTALCI3N DE LA TARJETA DE EXPANSI3N
INSTALLATION DE LA CARTE D'EXTENSION
INSTALLATION DER ERWEITERUNGSKARTE
INSTALLAZIONE DELLA SCHEDA D'ESPANSIONE
INSTALCI3O DA PLACA DE EXPANS3O
УСТАНОВКА ПЛАТЫ РАСШИРЕНИЯ
확장 카드 설치
擴張カードの装置
擴充卡安裝



HORIZONTAL GPU MOUNT

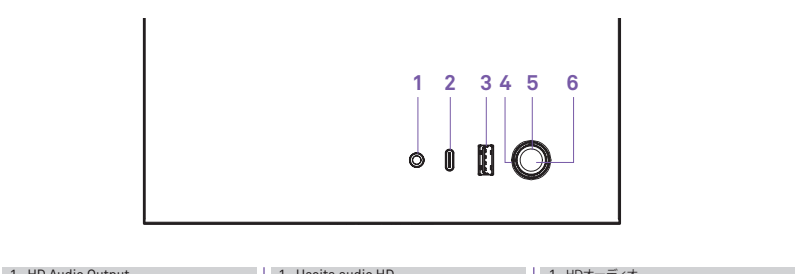
FAN AND RADIATOR SUPPORT

COMPATIBILIDAD DE VENTILADORES Y RADIADORES
PRISE EN CHARGE DES RADIATEURS ET VENTILATEURS
LÜFTER- UND KÜHLER-UNTERSTÜTZUNG
SUPPORTO VENTOLE E RADIATORE
SUPPORTO PARA VENTONINHA E A RADIADOR
СОВМЕСТИМЫЕ РАДИАТОР И ВЕНТИЛЯТОР
팬 및 라디에이터 지원
対応ファンおよびラジエータ
風扇散热器支持
風扇散热器支援



BUTTONS AND I/O

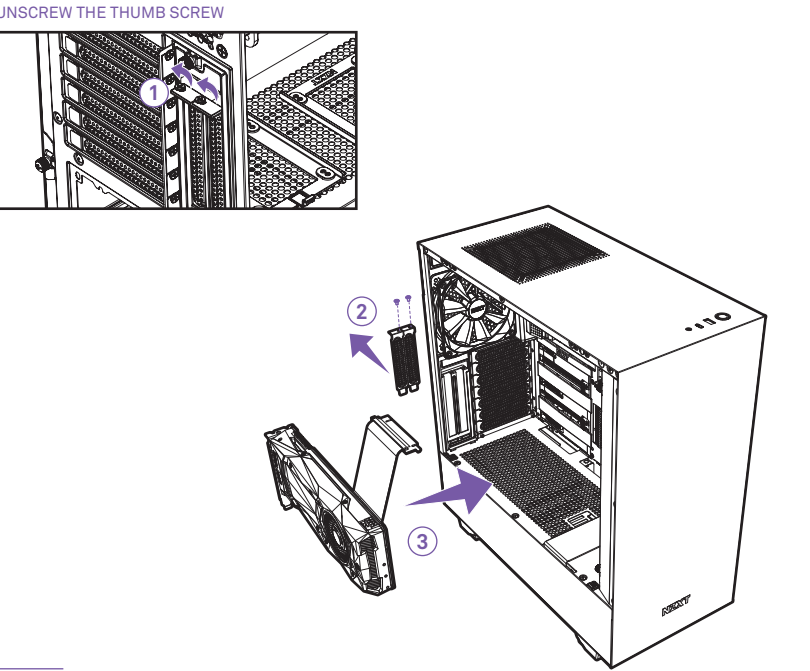
BOTONES Y E/S
BOUTTONS ET E/S
TASTEN UND E/A
PULSANTI E I/O
BOT3ES E E/S
КНОПКИ И РАЗЪЕМЫ ВВОДА/ВЫВОДА
버튼 및 I/O
ボタンおよび I/O
按鈕和 I/O



1. HD Audio Output	1. Salida audio HD	1. HDオーディオ
2. USB 3.1 Gen2 Type-C	2. USB 3.1 Gen2 Type-C	2. USB 3.1 Gen2 Type-C
3. USB 3.1 Gen1 Type-A	3. USB 3.1 Gen1 Type-A	3. USB 3.1 Gen1 Type-A
4. HDD LED	4. LED HDD	4. HDD LED
5. Power LED	5. LED alimentazione	5. パワーLED
6. Power switch	6. Interruptor d'alimentazione	6. 電源スイッチ
1. Salida de audio HD	1. Звукочны выхад HD	1. 高音質傑출
2. USB 3.1 Gen2 Type-C	2. USB 3.1 Gen2 Type-C	2. USB 3.1 Gen2 Type-C
3. USB 3.1 Gen1 Type-A	3. USB 3.1 Gen1 Type-A	3. USB 3.1 Gen1 Type-A
4. LED de unidad de disco duro	4. LED do HDD	4. HDD LED
5. LED de alimentaci3n	5. LED de alimentaci3o	5. 電源LED
6. Interruptor de encendido	6. Interruptor de alimentaci3o	6. 電源開閉
1. Sortie audio HD	1. Звукочны выхад HD	1. 高音質傑출
2. USB 3.1 Gen2 Type-C	2. USB 3.1 Gen2 Type-C	2. USB 3.1 Gen2 Type-C
3. USB 3.1 Gen1 Type-A	3. USB 3.1 Gen1 Type-A	3. USB 3.1 Gen1 Type-A
4. T6mon disque dur	4. Индикатор жесткого диска	4. HDD LED
5. T6mon d'alimentation	5. Индикатор питания	5. 電源LED
6. Interrupteur marche/arr6t	6. Выключатель питания	6. 電源開閉
1. HD-Audioausgang	1. HD 오디오 출력	1. 高音質傑출
2. USB 3.1 Gen2 Type-C	2. USB 3.1 Gen2 Type-C	2. USB 3.1 Gen2 Type-C
3. USB 3.1 Gen1 Type-A	3. USB 3.1 Gen1 Type-A	3. USB 3.1 Gen1 Type-A
4. Festplatten-LED	4. HDD LED	4. HDD LED
5. Netzbereich-LED	5. 電源LED	5. 電源LED
6. Netzschalter	6. 전원 스위치	6. 전원開閉

SSD DRIVE INSTALLATION

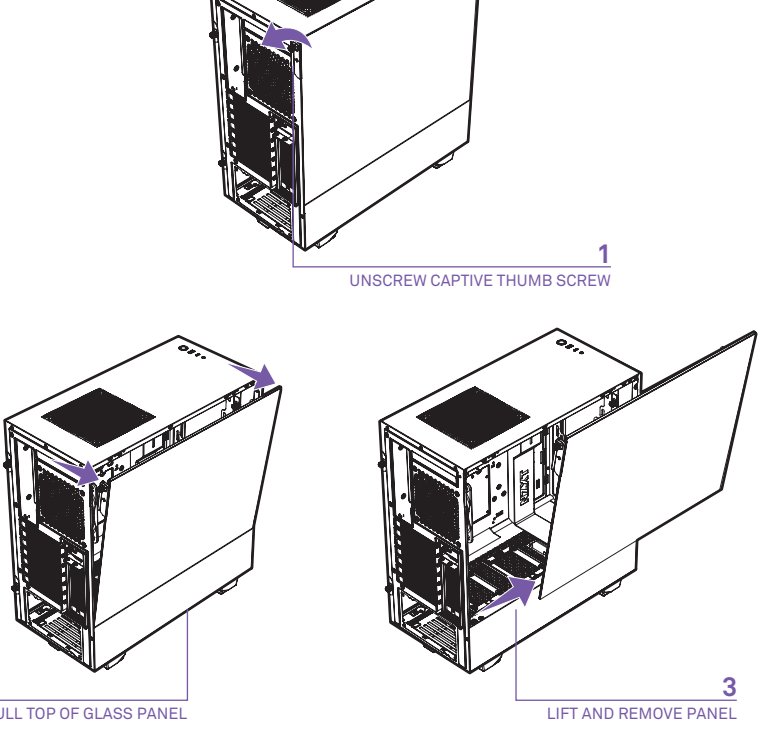
INSTALCI3N DE LA UNIDAD DE DISCO DURO
INSTALLATION DE LECTEUR HDD
HDD-LAUFWERKSINSTALLATION
INSTALLAZIONE DELL'UNIT3 HDD
INSTALCI3O DA PLACA DE EXPANS3O
УСТАНОВКА ЖЕСТКОГО ДИСКА
HDD 드라이브 설치
HDD裝載
HDD 驱动器安裝
硬盤安裝



VERTICAL GPU MOUNT

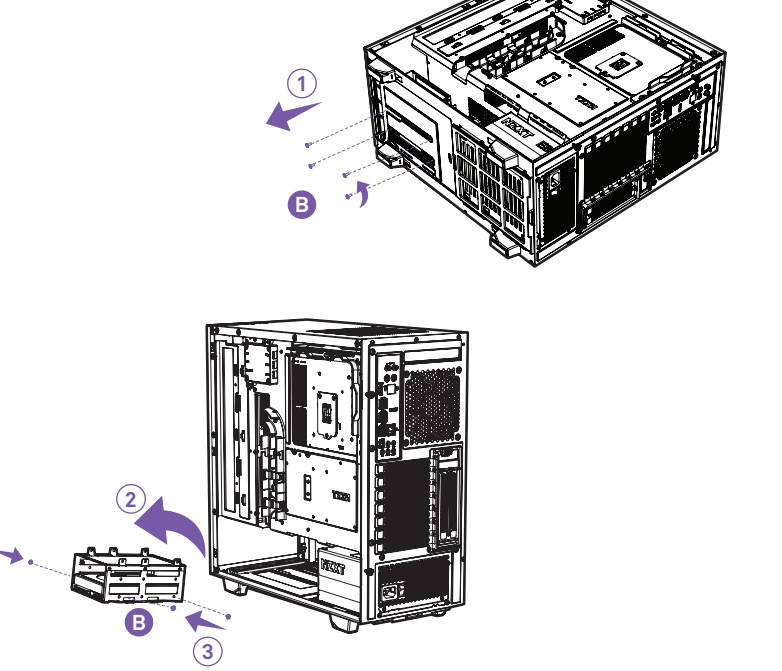
PANEL REMOVAL

EXTRACCI3N DE PANEL
RETRAIT DU PANNEAU
BLENDE ENTFERNEN
RIMOZIONE DEL PANNELLO
REMOI3O DOS PAIN6IS
СНЯТИЕ ПАНЕЛИ
罩蓋 拆卸
パネルの取り外し
卸下蓋板
移除蓋板



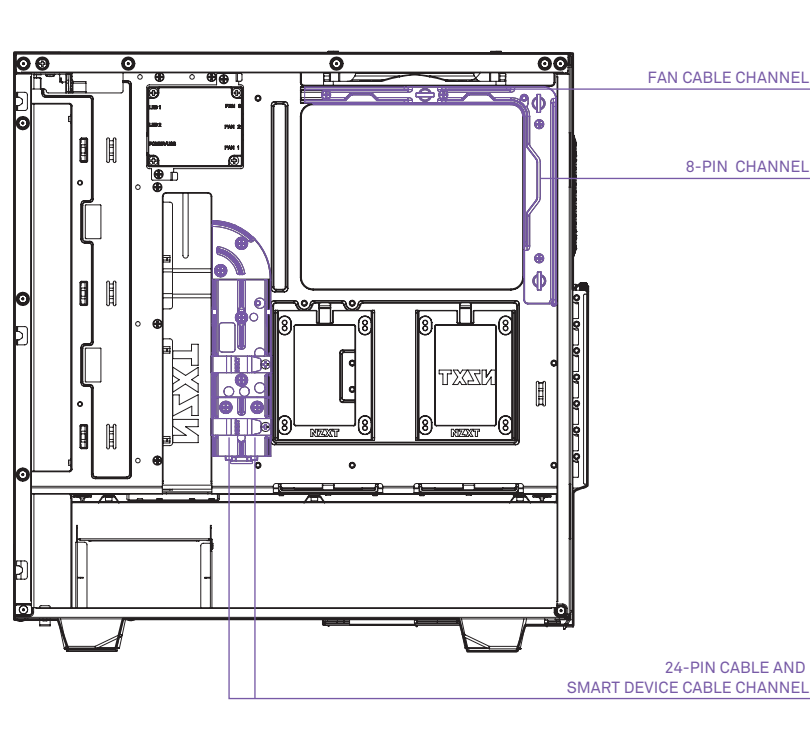
HDD DRIVE INSTALLATION

INSTALCI3N DE LA UNIDAD DE DISCO DURO
INSTALLATION DE LECTEUR HDD
HDD-LAUFWERKSINSTALLATION
INSTALLAZIONE DELL'UNIT3 HDD
INSTALCI3O DA PLACA DE EXPANS3O
УСТАНОВКА ЖЕСТКОГО ДИСКА
HDD 드라이브 설치
HDD裝載
HDD 驱动器安裝
硬盤安裝



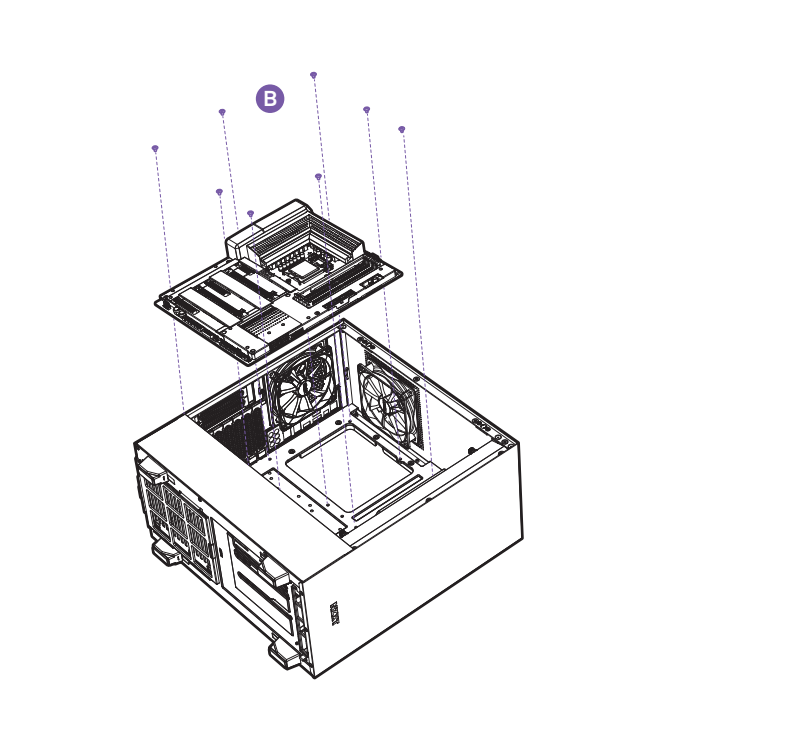
CABLE MANAGEMENT SYSTEM

SISTEMA DE GEBLAGE
SYST6ME DE C3BLAGE
KABELMANAGEMENTSYSTEM
SISTEMA DI GESTIONE DEI CAVI
SISTEMA DE GERENCIAMENTO DE CABOS
СИСТЕМА ПРОКЛАДКИ КАБЕЛЕЙ
케이블 정리 시스템
ケーブルマネジメントシステム
理線管理系統
整線管理系統



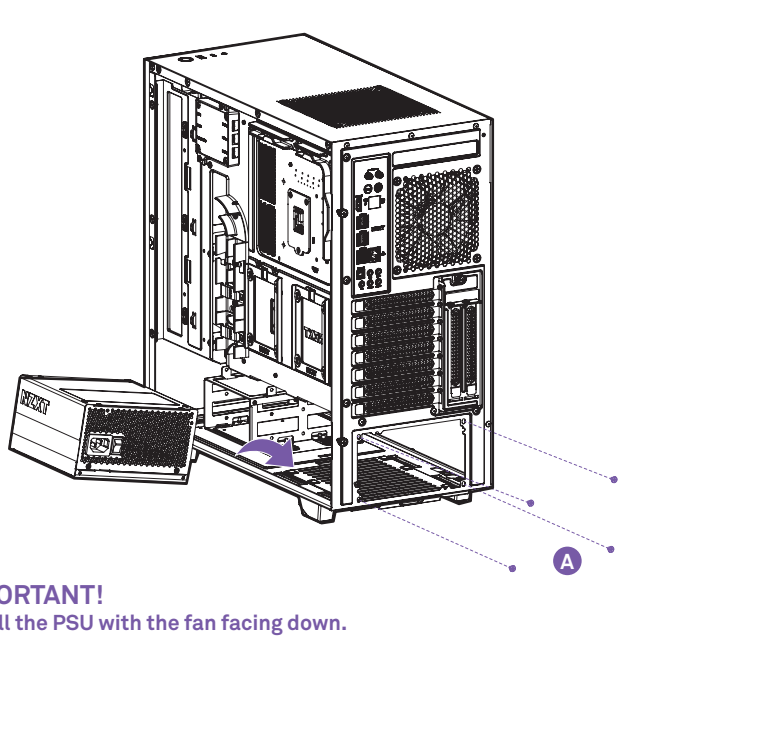
MOTHERBOARD INSTALLATION

INSTALCI3N DE LA PLACA BASE
INSTALLATION DE LA CARTE M6RE
INSTALLATION DER HAUPTPLATINE
INSTALLAZIONE DELLA SCHEMA MADRE
INSTALCI3O DA PLACA PRINCIPAL
УСТАНОВКА СИСТЕМНОЙ ПЛАТЫ
마더보드 설치
マザーボードの装置
主板安裝
主機板安裝



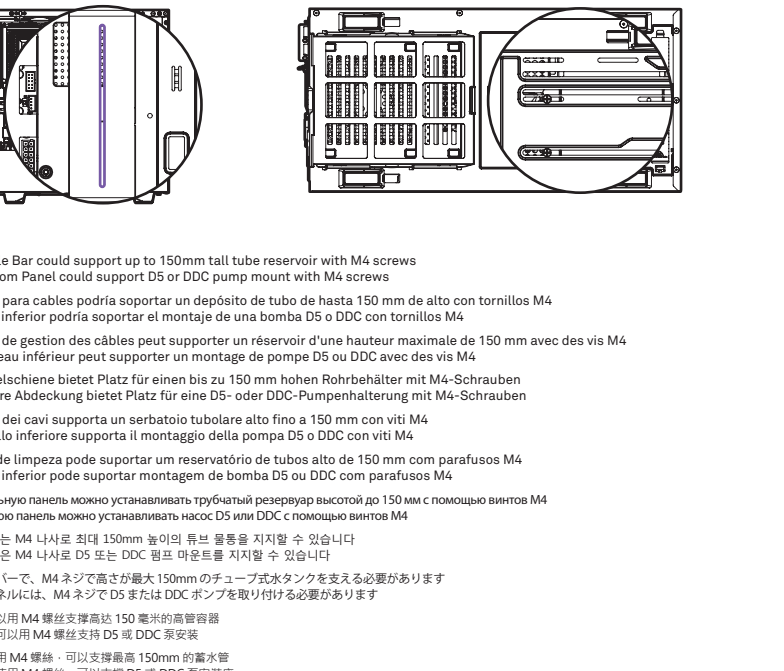
POWER SUPPLY INSTALLATION

INSTALCI3N DE LA FUENTE DE ALIMENTACI3N
SUPPORT DE REFRIGERATION LIQUIDE
INSTALLATION DER STROMVERSORGUNG
INSTALLAZIONE DELL'ALIMENTATORE
INSTALCI3O DA FONTE DE ALIMENTACI3O
УСТАНОВКА ИСТОЧНИКА ПИТАНИЯ
전원 공급 장치 설치
電源の装置
電源安裝
電源安裝



DIY LIQUID COOLER INSTALLATION

HAZLO TÚ MISMO: SOPORTE PARA REFRIGERADOR LÍQUIDO
SUPPORTO DE REFRIGERATION LIQUIDE
WASSERKÜHLUNG MARKE EIGENBAU
SUPPORTO PER DISSIPATORE A LIQUIDO FAI-DA-TE
SUPPORTO A REFRIGERACI3O LÍQUIDA DIY
ПОДДЕРЖКА САМОСТОЯТЕЛЬНОЙ СБОРКИ ЖИДКОСТНОЙ СИСТЕМЫ ОХЛАЖДЕНИЯ
DIY 수냉식 열교환기 지원
水冷クーラー支持部の DIY
SSD 液體冷卻器安裝
DIY 水冷支援



HORIZONTAL GPU MOUNT

REGULATIONS

IV. EXCLUSION OF DAMAGES (DISCLAIMER)
NZXT's sole obligation and liability under this warranty is limited to the repair or replacement of a defective product with either a new or refurbished product with a similar function that is equal or greater in value at our option. NZXT shall not, in any event, be liable for any incidental or consequential damages, including but not limited to damages resulting from interruption of service and loss of data, business, or for liability in tort relating to this product or resulting from its use or possession.
V. LIMITATIONS OF IMPLIED WARRANTIES
There are no other warranties, expressed or implied, including but not limited to those of merchantability or fitness for a particular purpose. The duration of implied warranties is limited to the warranty length specified in Paragraph 1.
VI. TO OBTAIN TECHNICAL SUPPORT
If you have already referenced your product owner's manual and still need help, you may contact us by phone at +1 (800) 228-9395, by email at service@nzxt.com, or visit the NZXT Support site at https://www.nzxt.com/customer-support.

NZXT GLOBAL WARRANTY POLICY

New NZXT Product	Warranty Length for Parts
Computer Cases	2 Years
Temperatures Meters	2 Years
Fans	2 Years
Lighting	2 Years
Accessories	2 Years
Headset/Headphone	2 Years
Mixer	2 Years
Speakers	2 Years
KRACKEN M Coolers	3 Years
Motherboards	4 Years
HALO Power Supply	5 Years
KRAKEN Coolers	6 Years

II. WHO IS PROTECTED
The Warranty covers only NZXT products purchased by the original consumer.
III. WHAT IS AND IS NOT COVERED
Please note that our warranty is not an unconditional guarantee. If the product, in NZXT's reasonable opinion, malfunctions within the warranty period, NZXT will provide you at its sole discretion with a repaired or replacement product, either new or refurbished, with a similar function that is equal or greater in value depending on supply. Our warranty does not cover the following:
• any product or serial number/warranty sticker replacement applied without permission from NZXT;
• any damage that is not a manufacturing defect;
• damage, deterioration or malfunction resulting from: accident, abuse, misuse, neglect, fire, water, lightning, or other acts of nature, unauthorized product modification or failure to follow instructions included with the product;
• improper installation, unauthorized alterations or modifications, or repair or attempted repair by anyone not authorized by NZXT;
• shipping or transport damage (claims must be made with the carrier); and
• normal wear and tear.

NZXT does not warrant that this product will meet your requirements. It is your responsibility to determine the suitability of this product for your purpose. For NZXT Store orders, we cover two way return shipping for all exchanges and returns. For all other authorized dealers, NZXT Support does not cover return shipping and only covers one way shipping from NZXT back to the end user for exchanges. Two way expedited shipping is provided for all PSUs covered under the Less Than Three program. Indiscriminate of purchase location, provided the location is an approved NZXT reseller.

IV. EXCLUSION OF DAMAGES (DISCLAIMER)
NZXT's sole obligation and liability under this warranty is limited to the repair or replacement of a defective product with either a new or refurbished product with a similar function that is equal or greater in value at our option. NZXT shall not, in any event, be liable for any incidental or consequential damages, including but not limited to damages resulting from interruption of service and loss of data, business, or for liability in tort relating to this product or resulting from its use or possession.
V. LIMITATIONS OF IMPLIED WARRANTIES
There are no other warranties, expressed or implied, including but not limited to those of merchantability or fitness for a particular purpose. The duration of implied warranties is limited to the warranty length specified in Paragraph 1.
VI. TO OBTAIN TECHNICAL SUPPORT
If you have already referenced your product owner's manual and still need help, you may contact us by phone at +1 (800) 228-9395, by email at service@nzxt.com, or visit the NZXT Support site at https://www.nzxt.com/customer-support.

VII. APPLICABLE LAW AND ADDITIONAL LEGAL RIGHTS FOR CONSUMERS
This warranty gives you specific legal rights. These conditions are governed and construed in accordance with the laws of California (with exception of its conflict of law provisions), and the application of the United Nations Convention of Contracts for the International Sale of Goods is expressly excluded. The non-exclusive jurisdiction of the courts of California is agreed, which means that you may bring a claim to enforce your consumer protection rights in connection with this Global Warranty in the country which you have your habitual residence where you may have additional rights. These rights may vary.
For original consumers who are covered by consumer protection laws or regulations in their country, state, or province of purchase or, if different, their country, state, or province of residence, the benefits conferred by this warranty are in addition to all rights and remedies provided by such consumer protection laws and regulations. To the extent that liability under such consumer laws can be limited, NZXT's liability is limited, and its sole option, to repair or replacement, either new or refurbished, with a similar function that is equal or greater in value depending on supply.

VIII. APPLICABLE LAW AND ADDITIONAL LEGAL RIGHTS FOR CONSUMERS
This warranty gives you specific legal rights. These conditions are governed and construed in accordance with the laws of California (with exception of its conflict of law provisions), and the application of the United Nations Convention of Contracts for the International Sale of Goods is expressly excluded. The non-exclusive jurisdiction of the courts of California is agreed, which means that you may bring a claim to enforce your consumer protection rights in connection with this Global Warranty in the country which you have your habitual residence where you may have additional rights. These rights may vary.
For original consumers who are covered by consumer protection laws or regulations in their country, state, or province of purchase or, if different, their country, state, or province of residence, the benefits conferred by this warranty are in addition to all rights and remedies provided by such consumer protection laws and regulations. To the extent that liability under such consumer laws can be limited, NZXT's liability is limited, and its sole option, to repair or replacement, either new or refurbished, with a similar function that is equal or greater in value depending on supply.

IX. APPLICABLE LAW AND ADDITIONAL LEGAL RIGHTS FOR CONSUMERS
This warranty gives you specific legal rights. These conditions are governed and construed in accordance with the laws of California (with exception of its conflict of law provisions), and the application of the United Nations Convention of Contracts for the International Sale of Goods is expressly excluded. The non-exclusive jurisdiction of the courts of California is agreed, which means that you may bring a claim to enforce your consumer protection rights in connection with this Global Warranty in the country which you have your habitual residence where you may have additional rights. These rights may vary.
For original consumers who are covered by consumer protection laws or regulations in their country, state, or province of purchase or, if different, their country, state, or province of residence, the benefits conferred by this warranty are in addition to all rights and remedies provided by such consumer protection laws and regulations. To the extent that liability under such consumer laws can be limited, NZXT's liability is limited, and its sole option, to repair or replacement, either new or refurbished, with a similar function that is equal or greater in value depending on supply.

X. NZXT.COM STORE RETURNS/EXCHANGE POLICY
Eligible products under this NZXT Warranty qualify for a full refund or exchange only with an authorized RMA number and if the item is returned to the NZXT.com Store inventory within 30 days of purchase. Returns are not allowed beyond 90 days of the purchase date. The NZXT.com Store reserves the right to deny any return or exchange. Refunds will be credited to the original method of payment. To initiate a return, simply submit a request via NZXT support site.

• Visit nzxt.com/warranty and support.nzxt.com for information on warranty coverage and service
• Visite le site Web nzxt.com/warranty et support.nzxt.com pour obtenir l'information sur la couverture et le service de la garantie
• Informaciones zu Geltungsbereich und Service der Garantie finden Sie unter support.nzxt.com und support.nzxt.com/warranty
• Visitare il sito nzxt.com/warranty e support.nzxt.com per informazioni sulla copertura e sul servizio della garanzia
• Visite nzxt.com/warranty e support.nzxt.com para obter informaciones sobre a cobertura da garantia e assist6ncia
• 訪問 nzxt.com/warranty and support.nzxt.com 了解保用期間及服務詳情
• 查詢 nzxt.com/warranty and support.nzxt.com 了解保用期間及服務詳情

• Visit nzxt.com/warranty and support.nzxt.com for information on warranty coverage and service
• Visite le site Web nzxt.com/warranty et support.nzxt.com pour obtenir l'information sur la couverture et le service de la garantie
• Informaciones zu Geltungsbereich und Service der Garantie finden Sie unter support.nzxt.com und support.nzxt.com/warranty
• Visitare il sito nzxt.com/warranty e support.nzxt.com per informazioni sulla copertura e sul servizio della garanzia
• Visite nzxt.com/warranty e support.nzxt.com para obter informaciones sobre a cobertura da garantia e assist6ncia
• 訪問 nzxt.com/warranty and support.nzxt.com 了解保用期間及服務詳情
• 查詢 nzxt.com/warranty and support.nzxt.com 了解保用期間及服務詳情

• Visit nzxt.com/warranty and support.nzxt.com for information on warranty coverage and service
• Visite le site Web nzxt.com/warranty et support.nzxt.com pour obtenir l'information sur la couverture et le service de la garantie
• Informaciones zu Geltungsbereich und Service der Garantie finden Sie unter support.nzxt.com und support.nzxt.com/warranty
• Visitare il sito nzxt.com/warranty e support.nzxt.com per informazioni sulla copertura e sul servizio della garanzia
• Visite nzxt.com/warranty e support.nzxt.com para obter informaciones sobre a cobertura da garantia e assist6ncia
• 訪問 nzxt.com/warranty and support.nzxt.com 了解保用期間及服務詳情
• 查詢 nzxt.com/warranty and support.nzxt.com 了解保用期間及服務詳情

• Visit nzxt.com/warranty and support.nzxt.com for information on warranty coverage and service
• Visite le site Web nzxt.com/warranty et support.nzxt.com pour obtenir l'information sur la couverture et le service de la garantie
• Informaciones zu Geltungsbereich und Service der Garantie finden Sie unter support.nzxt.com und support.nzxt.com/warranty
• Visitare il sito nzxt.com/warranty e support.nzxt.com per informazioni sulla copertura e sul servizio della garanzia
• Visite nzxt.com/warranty e support.nzxt.com para obter informaciones sobre a cobertura da garantia e assist6ncia
• 訪問 nzxt.com/warranty and support.nzxt.com 了解保用期間及服務詳情
• 查詢 nzxt.com/warranty and support.nzxt.com 了解保用期間及服務詳情

• Visit nzxt.com/warranty and support.nzxt.com for information on warranty coverage and service
• Visite le site Web nzxt.com/warranty et support.nzxt.com pour obtenir l'information sur la couverture et le service de la garantie
• Informaciones zu Geltungsbereich und Service der Garantie finden Sie unter support.nzxt.com und support.nzxt.com/warranty
• Visitare il sito nzxt.com/warranty e support.nzxt.com per informazioni sulla copertura e sul servizio della garanzia
• Visite nzxt.com/warranty e support.nzxt.com para obter informaciones sobre a cobertura da garantia e assist6ncia
• 訪問 nzxt.com/warranty and support.nzxt.com 了解保用期間及服務詳情
• 查詢 nzxt.com/warranty and support.nzxt.com 了解保用期間及服務詳情

• Visit nzxt.com/warranty and support.nzxt.com for information on warranty coverage and service
• Visite le site Web nzxt.com/warranty et support.nzxt.com pour obtenir l'information sur la couverture et le service de la garantie
• Informaciones zu Geltungsbereich und Service der Garantie finden Sie unter support.nzxt.com und support.nzxt.com/warranty
• Visitare il sito nzxt.com/warranty e support.nzxt.com per informazioni sulla copertura e sul servizio della garanzia
• Visite nzxt.com/warranty e support.nzxt.com para obter informaciones sobre a cobertura da garantia e assist6ncia
• 訪問 nzxt.com/warranty and support.nzxt.com 了解保用期間及服務詳情
• 查詢 nzxt.com/warranty and support.nzxt.com 了解保用期間及服務詳情

• Visit nzxt.com/warranty and support.nzxt.com for information on warranty coverage and service
• Visite le site Web nzxt.com/warranty et support.nzxt.com pour obtenir l'information sur la couverture et le service de la garantie
• Informaciones zu Geltungsbereich und Service der Garantie finden Sie unter support.nzxt.com und support.nzxt.com/warranty
• Visitare il sito nzxt.com/warranty e support.nzxt.com per informazioni sulla copertura e sul servizio della garanzia
• Visite nzxt.com/warranty e support.nzxt.com para obter informaciones sobre a cobertura da garantia e assist6ncia
• 訪問 nzxt.com/warranty and support.nzxt.com 了解保用期間及服務詳情
• 查詢 nzxt.com/warranty and support.nzxt.com 了解保用期間及服務詳情

• Visit nzxt.com/warranty and support.nzxt.com for information on warranty coverage and service
• Visite le site Web nzxt.com/warranty et support.nzxt.com pour obtenir l'information sur la couverture et le service de la garantie
• Informaciones zu Geltungsbereich und Service der Garantie finden Sie unter support.nzxt.com und support.nzxt.com/warranty
• Visitare il sito nzxt.com/warranty e support.nzxt.com per informazioni sulla copertura e sul servizio della garanzia
• Visite nzxt.com/warranty e support.nzxt.com para obter informaciones sobre a cobertura da garantia e assist6ncia
• 訪問 nzxt.com/warranty and support.nzxt.com 了解保用期間及服務詳情
• 查詢 nzxt.com/warranty and support.nzxt.com 了解保用期間及服務詳情

• Visit nzxt.com/warranty and support.nzxt.com for information on warranty coverage and service
• Visite le site Web nzxt.com/warranty et support.nzxt.com pour obtenir l'information sur la couverture et le service de la garantie
• Informaciones zu Geltungsbereich und Service der Garantie finden Sie unter support.nzxt.com und support.nzxt.com/warranty
• Visitare il sito nzxt.com/warranty e support.nzxt.com per informazioni sulla copertura e sul servizio della garanzia
• Visite nzxt.com/warranty e support.nzxt.com para obter informaciones sobre a cobertura da garantia e assist6ncia
• 訪問 nzxt.com/warranty and support.nzxt.com 了解保用期間及服務詳情
• 查詢 nzxt.com/warranty and support.nzxt.com 了解保用期間及服務詳情

• Visit nzxt.com/warranty and support.nzxt.com for information on warranty coverage and service
• Visite le site Web nzxt.com/warranty et support.nzxt.com pour obtenir l'information sur la couverture et le service de la garantie
• Informaciones zu Geltungsbereich und Service der Garantie finden Sie unter support.nzxt.com und support.nzxt.com/warranty
• Visitare il sito nzxt.com/warranty e support.nzxt.com per informazioni sulla copertura e sul servizio della garanzia
• Visite nzxt.com/warranty e support.nzxt.com para obter informaciones sobre a cobertura da garantia e assist6ncia
• 訪問 nzxt.com/warranty and support.nzxt.com 了解保用期間及服務詳情
• 查詢 nzxt.com/warranty and support.nzxt.com 了解保用期間及服務詳情

• Visit nzxt.com/warranty and support.nzxt.com for information on warranty coverage and service
• Visite le site Web nzxt.com/warranty et support.nzxt.com pour obtenir l'information sur la couverture et le service de la garantie
• Informaciones zu Geltungsbereich und Service der Garantie finden Sie unter support.nzxt.com und support.nzxt.com/warranty
• Visitare il sito nzxt.com/warranty e support.nzxt.com per informazioni sulla copertura e sul servizio della garanzia
• Visite nzxt.com/warranty e support.nzxt.com para obter informaciones sobre a cobertura da garantia e assist6ncia
• 訪問 nzxt.com/warranty and support.nzxt.com 了解保用期間及服務詳情
• 查詢 nzxt.com/warranty and support.nzxt.com 了解保用期間及服務詳情

• Visit nzxt.com/warranty and support.nzxt.com for information on warranty coverage and service
• Visite le site Web nzxt.com/warranty et support.nzxt.com pour obtenir l'information sur la couverture et le service de la garantie
• Informaciones zu Geltungsbereich und Service der Garantie finden Sie unter support.nzxt.com und support.nzxt.com/warranty
• Visitare il sito nzxt.com/warranty e support.nzxt.com per informazioni sulla copertura e sul servizio della garanzia
• Visite nzxt.com/warranty e support.nzxt.com para obter informaciones sobre a cobertura da garantia e assist6ncia
• 訪問 nzxt.com/warranty and support.nzxt.com 了解保用期間及服務詳情
• 查詢 nzxt.com/warranty and support.nzxt.com 了解保用期間及服務詳情

• Visit nzxt.com/warranty and support.nzxt.com for information on warranty coverage and service
• Visite le site Web nzxt.com/warranty et support.nzxt.com pour obtenir l'information sur la couverture et le service de la garantie
• Informaciones zu Geltungsbereich und Service der Garantie finden Sie unter support.nzxt.com und support.nzxt.com/warranty
• Visitare il sito nzxt.com/warranty e support.nzxt.com per informazioni sulla copertura e sul servizio della garanzia
• Visite nzxt.com/warranty e support.nzxt.com para obter informaciones sobre a cobertura da garantia e assist6ncia
• 訪問 nzxt.com/warranty and support.nzxt.com 了解保用期間及服務詳情
• 查詢 nzxt.com/warranty and support.nzxt.com 了解保用期間及服務詳情

• Visit nzxt.com/warranty and support.nzxt.com for information on warranty coverage and service
• Visite le site Web nzxt.com/warranty et support.nzxt.com pour obtenir l'information sur la couverture et le service de la garantie
• Informaciones zu Geltungsbereich und Service der Garantie finden Sie unter support.nzxt.com und support.nzxt.com/warranty
• Visitare il sito nzxt.com/warranty e support.nzxt.com per informazioni sulla copertura e sul servizio della garanzia
• Visite nzxt.com/warranty e support.nzxt.com para obter informaciones sobre a cobertura da garantia e assist6ncia
• 訪問 nzxt.com/warranty and support.nzxt.com 了解保用期間及服務詳情
• 查詢 nzxt.com/warranty and support.nzxt.com 了解保用期間及服務詳情

• Visit nzxt.com/warranty and support.nzxt.com for information on warranty coverage and service
• Visite le site Web nzxt.com/warranty et support.nzxt.com pour obtenir l'information sur la couverture et le service de la garantie
• Informaciones zu Geltungsbereich und Service der Garantie finden Sie unter support.nzxt.com und support.nzxt.com/warranty
• Visitare il sito nzxt.com/warranty e support.nzxt.com per informazioni sulla copertura e sul servizio della garanzia
• Visite nzxt.com/warranty e support.nzxt.com para obter informaciones sobre a cobertura da garantia e assist6ncia
• 訪問 nzxt.com/warranty and support.nzxt.com 了解保用期間及服務詳情
• 查詢 nzxt.com/warranty and support.nzxt.com 了解保用期間及服務詳情

• Visit nzxt.com/warranty and support.nzxt.com for information on warranty coverage and service
• Visite le site Web nzxt.com/warranty et support.nzxt.com pour obtenir l'information sur la couverture et le service de la garantie
• Informaciones zu Geltungsbereich und Service der Garantie finden Sie unter support.nzxt.com und support.nzxt.com/warranty
• Visitare il sito nzxt.com/warranty e support.nzxt.com per informazioni sulla copertura e sul servizio della garanzia
• Visite nzxt.com/warranty e support.nzxt.com para obter informaciones sobre a cobertura da garantia e assist6ncia
• 訪問 nzxt.com/warranty and support.nzxt.com 了解保用期間及服務詳情
• 查詢 nzxt.com/warranty and support.nzxt.com 了解保用期間及服務詳情

• Visit nzxt.com/warranty and support.nzxt.com for information on warranty coverage and service
• Visite le site Web nzxt.com/warranty et support.nzxt.com pour obtenir l'information sur la couverture et le service de la garantie
• Informaciones zu Geltungsbereich und Service der Garantie finden Sie unter support.nzxt.com und support.nzxt.com/warranty
• Visitare il sito nzxt.com/warranty e support.nzxt.com per informazioni sulla copertura e sul servizio della garanzia
• Visite nzxt.com/warranty e support.nzxt.com para obter informaciones sobre a cobertura da garantia e assist6ncia
• 訪問 nzxt.com/warranty and support.nzxt.com 了解保用期間及服務詳情
• 查詢 nzxt.com/warranty and support.nzxt.com 了解保用期間及服務詳情

• Visit nzxt.com/warranty and support.nzxt.com for information on warranty coverage and service
• Visite le site Web nzxt.com/warranty et support.nzxt.com pour obtenir l'information sur la couverture et le service de la garantie
• Informaciones zu Geltungsbereich und Service der Garantie finden Sie unter support.nzxt.com und support.nzxt.com/warranty
• Visitare il sito nzxt.com/warranty e support.nzxt.com per informazioni sulla copertura e sul servizio della garanzia
• Visite nzxt.com/warranty e support.nzxt.com para obter informaciones sobre a cobertura da garantia e assist6ncia
• 訪問 nzxt.com/warranty and support.nzxt.com 了解保用期間及服務詳情
• 查詢 nzxt.com/warranty and support.nzxt.com 了解保用期間及服務詳情

• Visit nzxt.com/warranty and support.nzxt.com for information on warranty coverage and service
• Visite le site Web nzxt.com/warranty et support.nzxt.com pour obtenir l'information sur la couverture et le service de la garantie
• Informaciones zu Geltungsbereich und Service der Garantie finden Sie unter support.nzxt.com und support.nzxt.com/warranty
• Visitare il sito nzxt.com/warranty e support.nzxt.com per informazioni sulla copertura e sul servizio della garanzia
• Visite nzxt.com/warranty e support.nzxt.com para obter informaciones sobre a cobertura da garantia e assist6ncia
• 訪問 nzxt.com/warranty and support.nzxt.com 了解保用期間及服務詳情
• 查詢 nzxt.com/warranty and support.nzxt.com 了解保用期間及服務詳情

• Visit nzxt.com/warranty and support.nzxt.com for information on warranty coverage and service
• Visite le site Web nzxt.com/warranty et support.nzxt.com pour obtenir l'information sur la couverture et le service de la garantie
• Informaciones zu Geltungsbereich und Service der Garantie finden Sie unter support.nzxt.com und support.nzxt.com/warranty
• Visitare il sito nzxt.com/warranty e support.nzxt.com per informazioni sulla copertura e sul servizio della garanzia
• Visite nzxt.com/warranty e support.nzxt.com para obter informaciones sobre a cobertura da garantia e assist6ncia
• 訪問 nzxt.com/warranty and support.nzxt.com 了解保用期間及服務詳情
• 查詢 nzxt.com/warranty and support.nzxt.com 了解保用期間及服務詳情

• Visit nzxt.com/warranty and support.nzxt.com for information on warranty coverage and service
• Visite le site Web nzxt.com/warranty et support.nzxt.com pour obtenir l'information sur la couverture et le service de la garantie
• Informaciones zu Geltungsbereich und Service der Garantie finden Sie unter support.nzxt.com und support.nzxt.com/warranty
• Visitare il sito nzxt.com/warranty e support.nzxt.com per informazioni sulla copertura e sul servizio della garanzia
• Visite nzxt.com/warranty e support.nzxt.com para obter informaciones sobre a cobertura da garantia e assist6ncia
• 訪問 nzxt.com/warranty and support.nzxt.com 了解保用期間及服務詳情
• 查詢 nzxt.com/warranty and support.nzxt.com 了解保用期間及服務詳情

• Visit nzxt.com/warranty and support.nzxt.com for information on warranty coverage and service
• Visite le site Web nzxt.com/warranty et support.nzxt.com pour obtenir l'information sur la couverture et le service de la garantie
• Informaciones zu Geltungsbereich und Service der Garantie finden Sie unter support.nzxt.com und support.nzxt.com/warranty
• Visitare il sito nzxt.com/warranty e support.nzxt.com per informazioni sulla copertura e sul servizio della garanzia
• Visite nzxt.com/warranty e support.nzxt.com para obter informaciones sobre a cobertura da garantia e assist6ncia
• 訪問 nzxt.com/warranty and support.nzxt.com 了解保用期間及服務詳情
• 查詢 nzxt.com/warranty and support.nzxt.com 了解保用期間及服務詳情

• Visit nzxt.com/warranty and support.nzxt.com for information on warranty coverage and service
• Visite le site Web nzxt.com/warranty et support.nzxt.com pour obtenir l'information sur la couverture et le service de la garantie
• Informaciones zu Geltungsbereich und Service der Garantie finden Sie unter support.nzxt.com und support.nzxt.com/warranty
• Visitare il sito nzxt.com/warranty e support.nzxt.com per informazioni sulla copertura e sul servizio della garanzia
• Visite nzxt.com/warranty e support.nzxt.com para obter informaciones sobre a cobertura da garantia e assist6ncia
• 訪問 nzxt.com/warranty and support.nzxt.com 了解保用期間及服務詳情
• 查詢 nzxt.com/warranty and support.nzxt.com 了解保用期間及服務詳情

• Visit nzxt.com/warranty and support.nzxt.com for information on warranty coverage and service
• Visite le site Web nzxt.com/warranty et support.nzxt.com pour obtenir l'information sur la couverture et le service de la garantie
• Informaciones zu Geltungsbereich und Service der Garantie finden Sie unter support.nzxt.com und support.nzxt.com/warranty
• Visitare il sito nzxt.com/warranty e support.nzxt.com per informazioni sulla copertura e sul servizio della garanzia
• Visite nzxt.com/warranty e support.nzxt.com para obter informaciones sobre a cobertura da garantia e assist6ncia
• 訪問 nzxt.com/warranty and support.nzxt.com 了解保用期間及服務詳情
• 查詢 nzxt.com/warranty and support.nzxt.com 了解保用期間及服務詳情

• Visit nzxt.com/warranty and support.nzxt.com for information on warranty coverage and service
• Visite le site Web nzxt.com/warranty et support.nzxt.com pour obtenir l'information sur la couverture et le service de la garantie
• Informaciones zu Geltungsbereich und Service der Garantie finden Sie unter support.nzxt.com und support.nzxt.com/warranty
• Visitare il sito nzxt.com/warranty e support.nzxt.com per informazioni sulla copertura e sul servizio della garanzia
• Visite nzxt.com/warranty e support.nzxt.com para obter informaciones sobre a cobertura da garantia e assist6ncia
• 訪問 nzxt.com/warranty and support.nzxt.com 了解保用期間及服務詳情
• 查詢 nzxt.com/warranty and support.nzxt.com 了解保用期間及服務詳情

• Visit nzxt.com/warranty and support.nzxt.com for information on warranty coverage and service
• Visite le site Web nzxt.com/warranty et support.nzxt.com pour obtenir l'information sur la couverture et le service de la garantie
• Informaciones zu Geltungsbereich und Service der Garantie finden Sie unter support.nzxt.com und support.nzxt.com/warranty
• Visitare il sito nzxt.com/warranty e support.nzxt.com per informazioni sulla copertura e sul servizio della garanzia
• Visite nzxt.com/warranty e support.nzxt.com para obter informaciones sobre a cobertura da garantia e assist6ncia
• 訪問 nzxt.com/warranty and support.nzxt.com 了解保用期間及服務詳情
• 查詢 nzxt.com/warranty and support.nzxt.com 了解保用期間及服務詳情

• Visit nzxt.com/warranty and support.nzxt.com for information on warranty coverage and service
• Visite le site Web nzxt.com/warranty et support.nzxt.com pour obtenir l'information sur la couverture et le service de la garantie
• Informaciones zu Geltungsbereich und Service der Garantie finden Sie unter support.nzxt.com und support.nzxt.com/warranty
• Visitare il sito nzxt.com/warranty e support.nzxt.com per informazioni sulla copertura e sul servizio della garanzia
• Visite nzxt.com/warranty e support.nzxt.com para obter informaciones sobre a cobertura da garantia e assist6ncia
• 訪問 nzxt.com/warranty and support.nzxt.com 了解保用期間及服務詳情
• 查詢 nzxt.com/warranty and support.nzxt.com 了解保用期間及服務詳情