

**WISENET**

# **In-Ceiling Plenum Housing**

## **Installation Manual**

SHD-3000F5



# TABLE OF CONTENTS

---

Overview.....	3
What's Included.....	3
Installation Instructions .....	4
How to install .....	4
Product Specifications.....	10

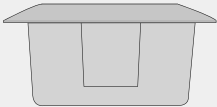
# OVERVIEW

---

This In-CEILING HOUSING is a mounting ADAPTOR that is designed to mount PNM-9000VQ in built-in style on a double-layer ceiling. The housing is UL2820 Plenum rated when properly installed.

# WHAT'S INCLUDED

---



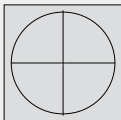
HOUSING



SAFETY BRACKET (1EA)



SAFETY WIRE (1SET)



TEMPLATE (1EA)

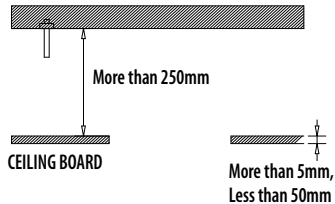


INSTALLATION MANUAL

# INSTALLATION INSTRUCTIONS

---

1. Select an installation position or place that can endure more than 4 times of the total weight of the installation structure.
2. At least 250mm or more of spare height is required above the **CEILING BOARD**.
3. **CEILING BOARD**'s thickness should be less than 50mm.
4. Be sure to secure the **SAFETY WIRE** to avoid a product fall.
5. If you want to attach the camera to the **ADAPTOR**, use the only provided **SCREWS**. (SCREWS are shipped with PNM-9000VQ. To learn how to use them, see Step 3 on page 5.)
6. **CEILING BOARD** must be able to sustain the weight of at least 10 kg.

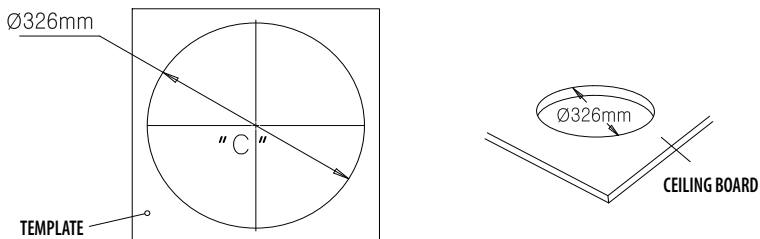


## HOW TO INSTALL

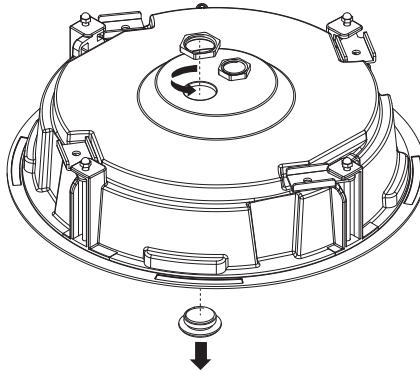
---

1. Place the **TEMPLATE** on the **CEILING BOARD** and drill a guided hole.
  - 1 Remove the round filling ("C") from the **TEMPLATE**.
  - 2 Place **TEMPLATE A** onto the **CEILING BOARD** to which you will attach the ceiling mount **ADAPTOR** and drill a hole of  $\text{Ø}326\text{mm}$  in diameter.

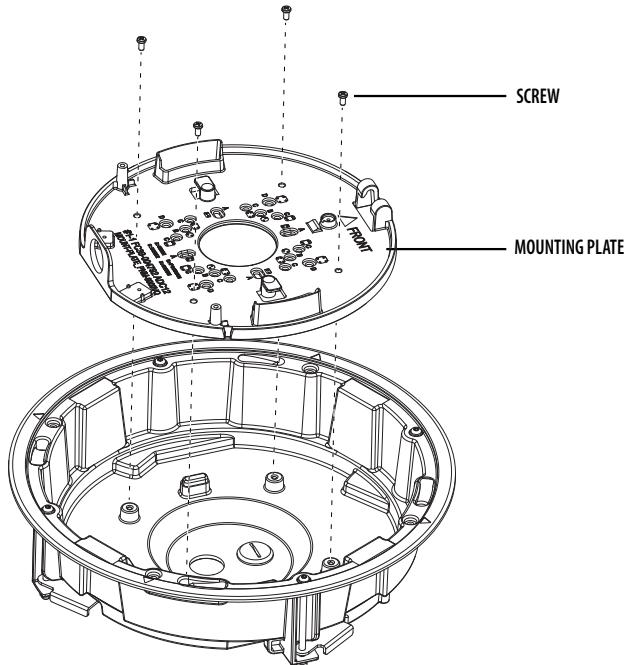
See the figure below for the hole shape.



2. Remove the **CAP** and **NUT** that fit to the size of the HOLE you are going to use.

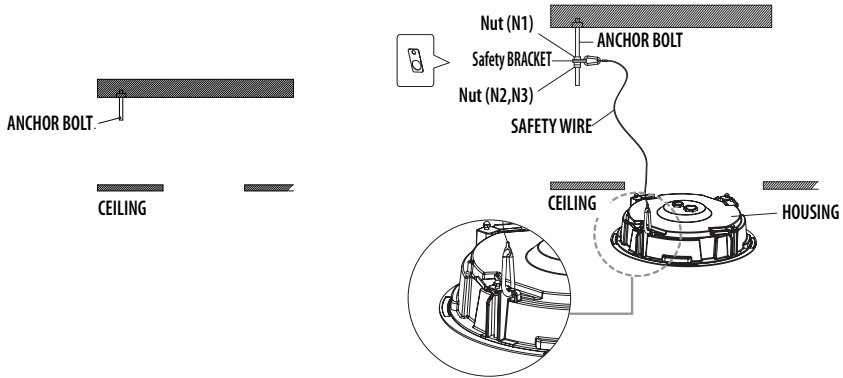


3. Remove the Dome Cover and Mounting Plate according to the Disassembling section in the PNM-9000VQ manual.
4. Join the **MOUNTING PLATE** to the Housing using the **SCREWS** shipped with PNM-9000VQ.



5. Fix the **ANCHOR BOLT** onto the concrete **CEILING**, and secure the **SAFETY WIRE** to the **ANCHOR BOLT** as below:

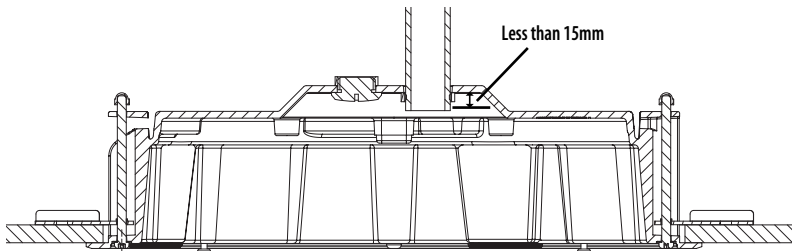
- ① Tighten the **NUT** ("N1") on the **ANCHOR BOLT**.
- ② Insert the provided **SAFETY BRACKET** into the **ANCHOR BOLT**.
- ③ Tighten two **NUTS** ("N2"/"N3") onto the **ANCHOR BOLT**.
- ④ Hook and fix one end of the **SAFETY WIRE** onto the **SAFETY BRACKET**.
- ⑤ Hook and fix the other end of **SAFETY WIRE** onto the **HOUSING** as shown below:



- The ANCHOR BOLTS and nuts are not included in the product package.
- ANCHOR BOLTS must be able to sustain the weight of at least 30 kg.
- If you proceed without following the instructions in the manual, that is if you work with the camera body already attached from the beginning, the safety wire could exceed its limit and be broken if the housing is accidentally dropped, which could result in an accident.

⑥ After fixing the **SAFETY WIRE** to the **HOUSING**, tighten the screw in the **SAFETY RING** to the end.

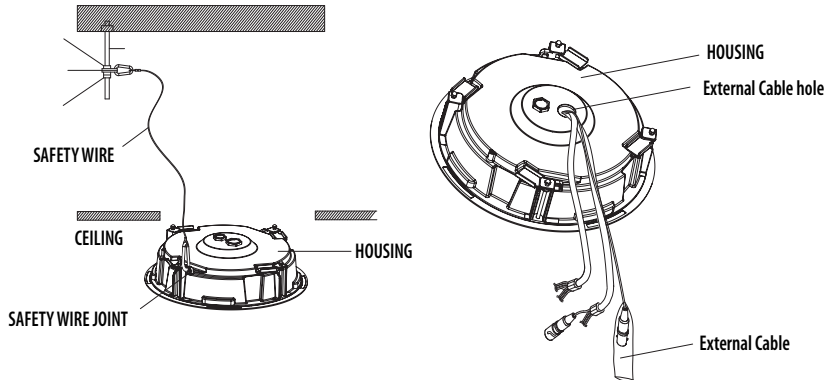
6. In the case that a pipe is to be connected to the External Cable hole, the pipe must be inserted within the depth of 15mm or less.



7. To connect to the camera, insert the external cable through the **Cable hole** on the **housing** to the inside of the **housing** as shown in the figure.



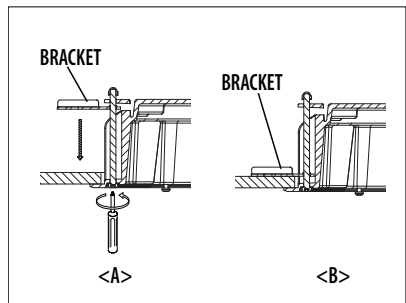
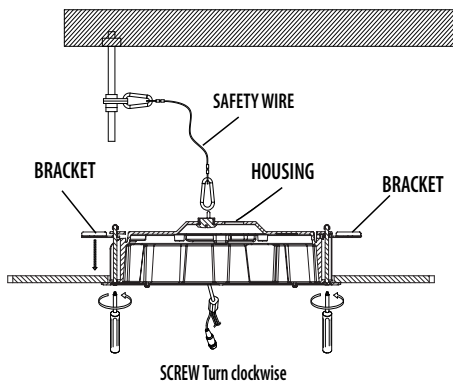
- Refer to the installation manual of the camera that you want to install, and prepare necessary cables for camera connection.



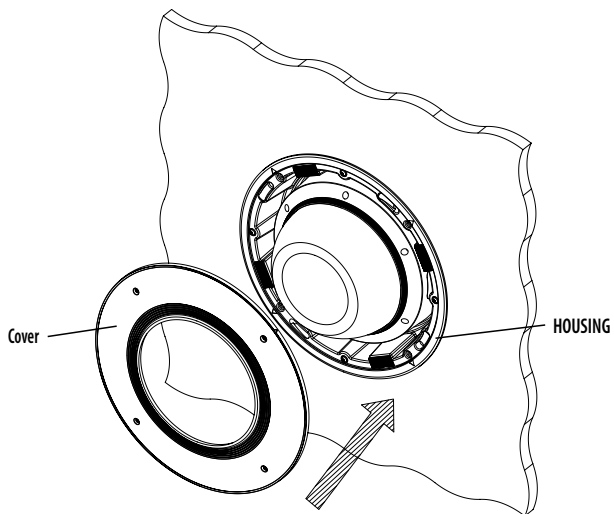
8. Push the **HOUSING** inside the CEILING through the CEILING hole, and tighten the **SCREWS** (x2) clockwise to fix the HOUSING on the CEILING.  
(The **BRACKET** will be positioned from <A> to <B> as shown.)



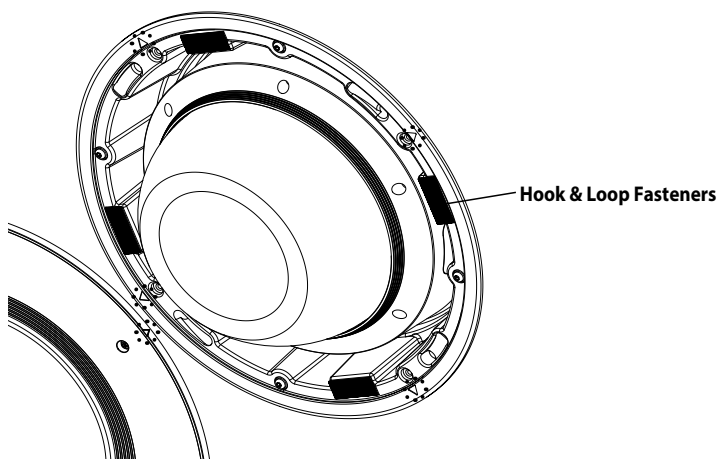
- Ensure that the **HOUSING** is firmly secured to the **CEILING BOARD**.



9. Proceed with the rest of the installation process for PNM-9000VQ according to the sections next to Disassembling in the PNM-9000VQ manual.



10. Align and attach the **COVER** to the **HOUSING** following the arrow, and push it hard so that four **Hook & Loop Fasteners** are firmly attached to it.





11. When all **Hook & Loop Fasteners** are attached, tighten the four **SCREWS** on the **COVER** to fix it to the **HOUSING**.

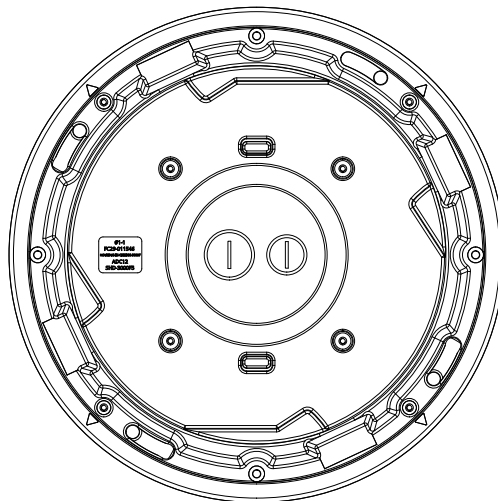
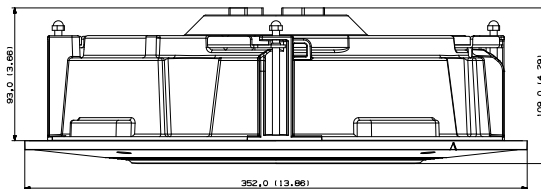


- Since Hook & Loop Fasteners are lightly attached to the surface, they can easily be detached. Therefore, the screws need to be tightened immediately after attaching the Hook & Loop Fasteners.

# PRODUCT SPECIFICATIONS

Item	Specifications
Dimension (mm)	Ø352 X H109
Weight	2550g (5.62 lbs)
Temperature	-10°C ~ 55°C (14°F ~ 131°F)
Material	Aluminum, UL2820 Plenum rated
Color	White (Cover)

Unit : mm (Inches)



MEMO

---

**Head Office**

6, Pangyo-ro 319 beon-gil, Bundang-gu, Seongnam-si,  
Gyeonggi-do, 463-400 Rep. of KOREA  
Tel : +82.70.7147.8753 Fax : +82.31.8018.3740  
[www.hanwha-security.com](http://www.hanwha-security.com)

---

**Hanwha Techwin America**

500 Frank W. Burr Blvd. Suite 43 Teaneck, NJ 07666  
Toll Free +1.877.213.1222 Direct +1.201.325.6920  
Fax +1.201.373.0124  
[www.hanwhasecurity.com](http://www.hanwhasecurity.com)

---

**Hanwha Techwin Europe**

Heriot House, Heriot Road, Chertsey, Surrey, KT16 9DT, United Kingdom  
Tel +44.1932.57.8100 Fax +44.1932.57.8101  
[www.hanwha-security.eu](http://www.hanwha-security.eu)

---