

Secure KVM Rack Mount Kit – 2X-045G/2X-046G/2X-047G

Installation Guide

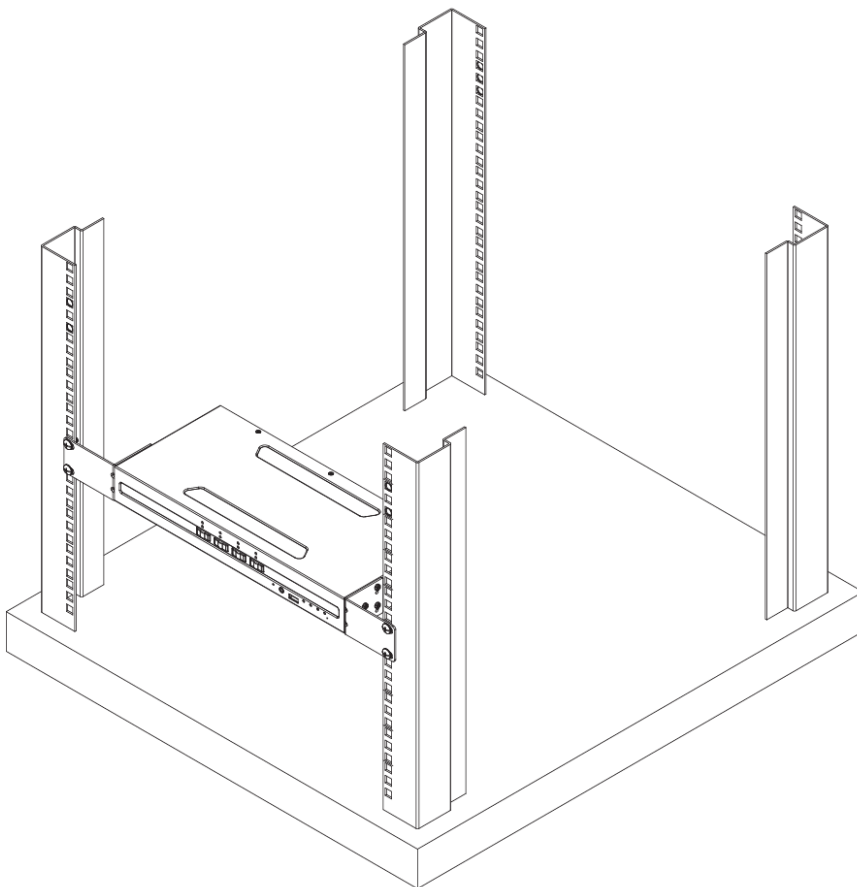
Package Contents

- 1 x Right Mounting Bracket
- 1 x Left Mounting Bracket
- 6 x Phillips Hex Head Cap Screws

Model No.	Product Name
2X-045G	2/4-Port Single Display Secure KVM Rack Mount Kit
2X-046G	2/4-Port Dual Display Secure KVM Rack Mount Kit
2X-047G	8-Port Single/Dual Display Secure KVM Rack Mount Kit

Note: Please refer to our official web site for more details.

The Secure KVM Mounting Kit allows you to install a Secure KVM Switch in 1U or 1.5U of server rack space. An example of a 2X-045G installation is shown below:

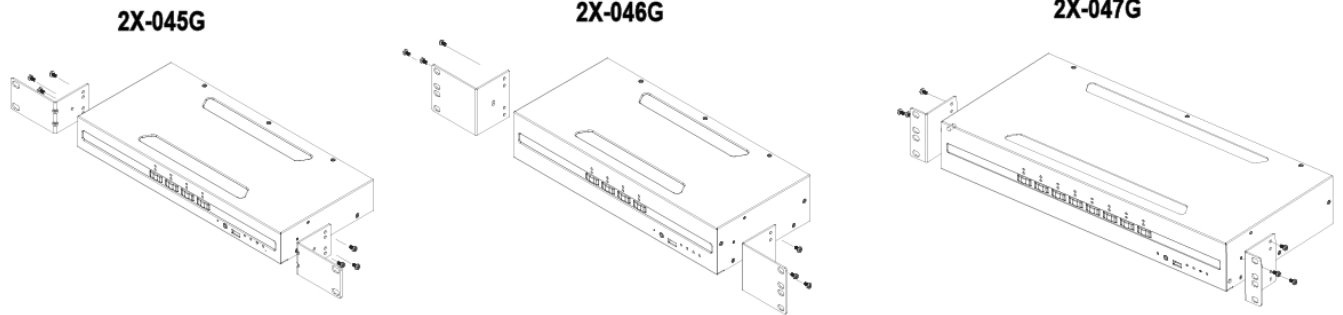


Hardware Installation

Note before you begin:

- ◆ Unless otherwise specified, rack screws mentioned in the steps below are not provided in the package. If you need additional screws, please contact your rack dealer.

1. Secure the Right and Left Mounting Brackets to the secure KVM switch using the Phillips Hex Head Cap Screws provided in the package.



2. Screw the mounting brackets to the rack to complete the installation.

