

**Dear Valued Customer**

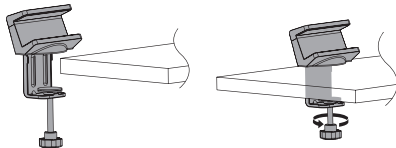
(JUST WANTED YOU TO KNOW)

**WE REALLY  
APPRECIATE  
YOUR PURCHASE**

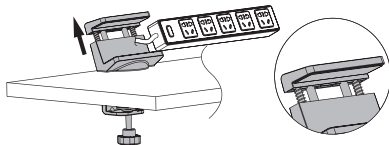
***~thank you~***

**Installation Instructions**

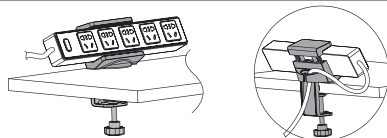
1



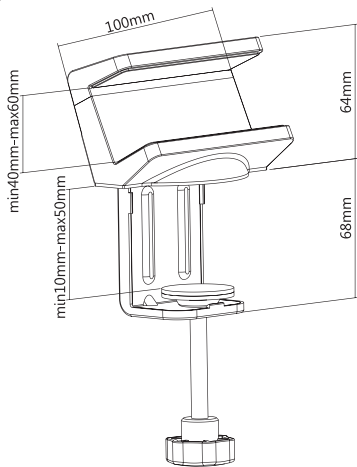
2



3



## Layout



### Support

For more info or tech support  
<http://www.siig.com/support>



## Power Strip Clamp Holder

## Quick Start Guide

