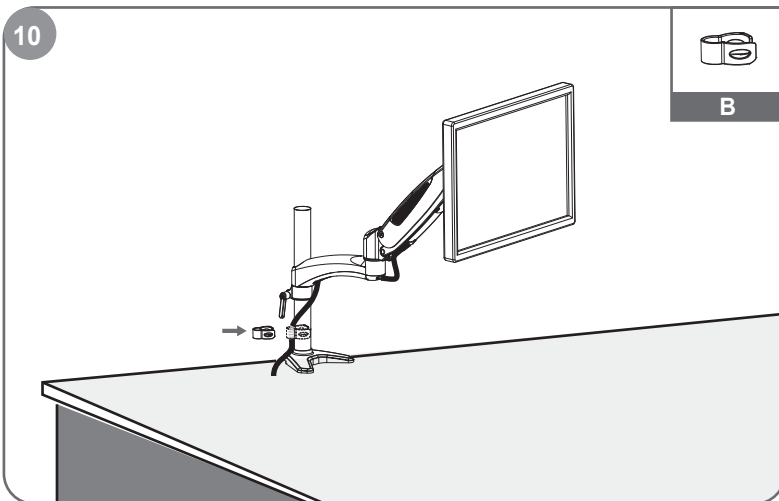


Use a hex wrench to adjust the damp for swiveling. Turn counter-clockwise to reduce damping and clockwise to increase damping.

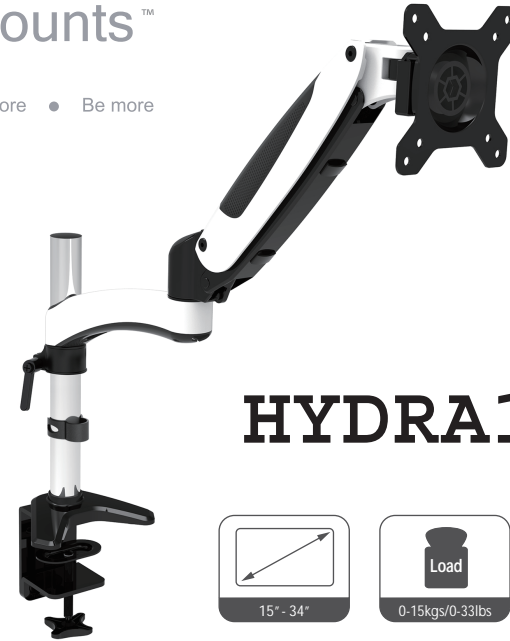


Insert cables into cable covers.
Use cable clamp to limit cables close to steel pipe.

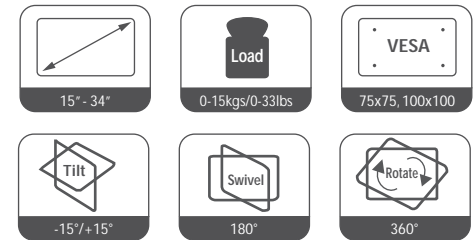
Gas Spring Aluminum LCD Monitor Desk Mount



See more • Do more • Be more



HYDRA1HD








Amer Mounts
1-800-262-9703
Fax: 1-800-314-6805
Email: sales@amer.com

Technical support
1-888-998-9189
Email: support@amer.com

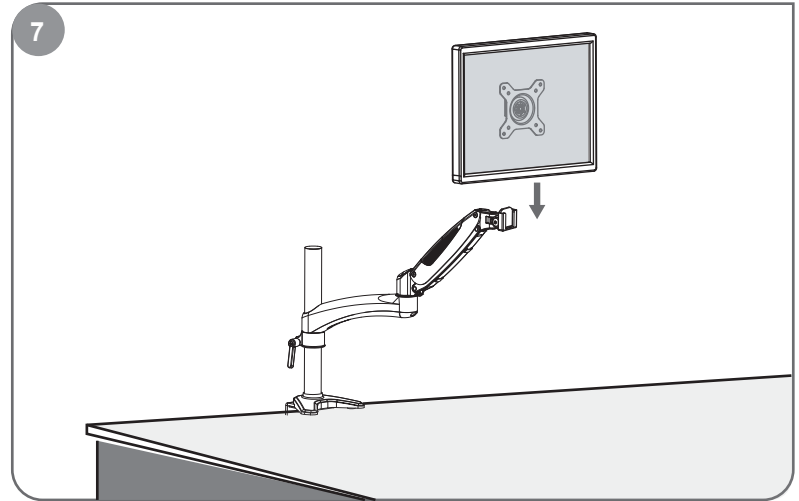
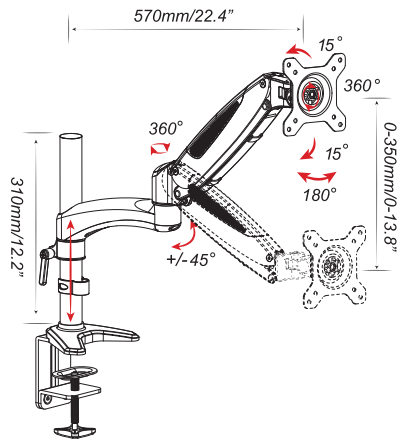
Installation *INSTRUCTIONS*

WARNING STATEMENTS

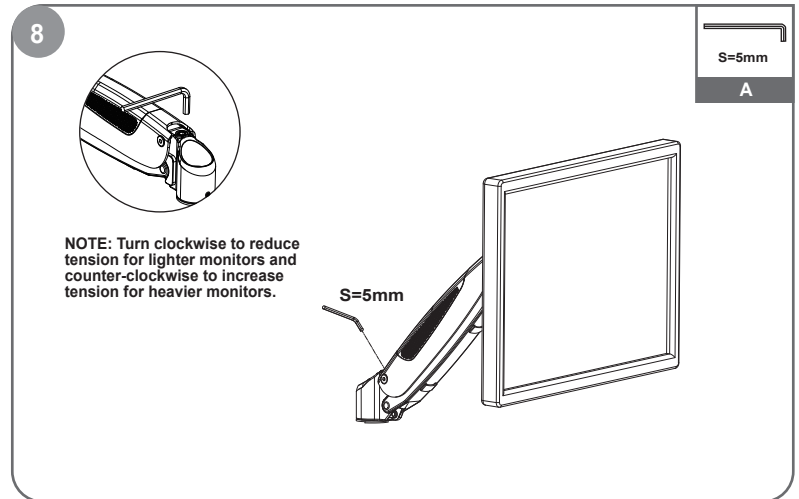
Warning

-  Prior to the installation of this product, the installation instruction must be read and completely understood. Failure to do so may result in personal injury, property damage or voiding of factory warranty.
-  Do not install on a structure that is prone to vibration, movement or chance of impact. Reinforce the structure as required before installation.
-  The desk clamp can support a maximum thickness of 9 cm. Confirm the desk edge before installation.
-  Pay attention to the weight capacity of the mount. Exceeding the limitation can result in function unworkable or even serious personal injury and property damage.
-  Never operate the mount if parts are missing or damaged. Contact your local service center for warranty service.

PRODUCT LINE GRAPH



Lift the VESA plate along with monitor and put it on head slot.

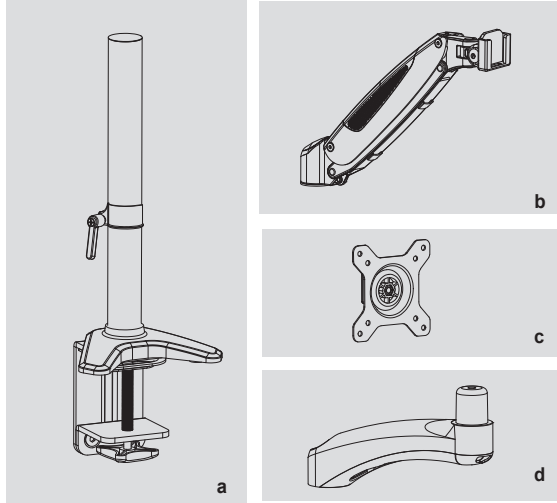






Use a hex wrench to adjust the height tension of the gas spring arm, to keep different weight of monitors still at any position.





TOOLS REQUIRED NOT INCLUDED

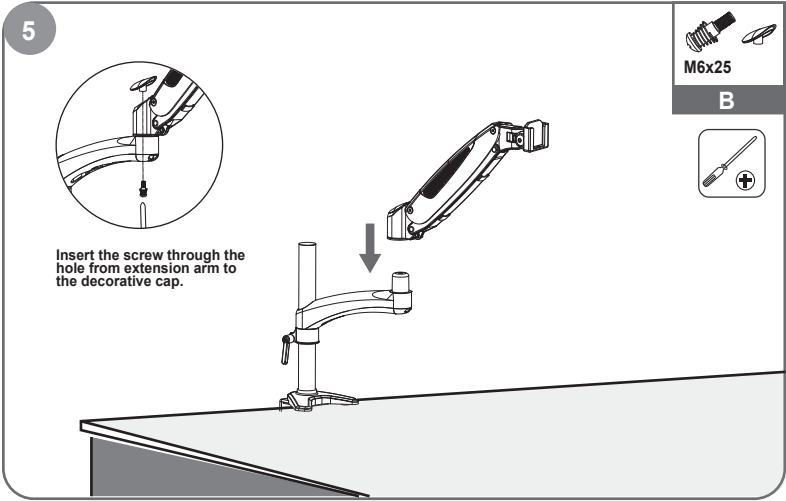


PARTS INCLUDED



A	 M4x12 (x4)	 M4x30 (x4)
	 S=3mm (x1)	 S=5mm (x1)

B	 13X5.5X16.5 (x4)	 (x1)
	 M6x25 (x1)	 (x1)



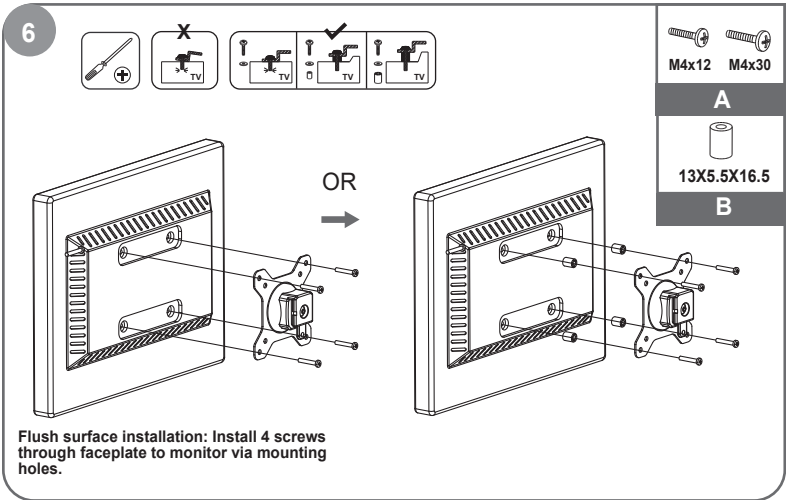
Insert the screw through the hole from extension arm to the decorative cap.



B



Lift the spring arm and put it on the extension arm.



Flush surface installation: Install 4 screws through faceplate to monitor via mounting holes.

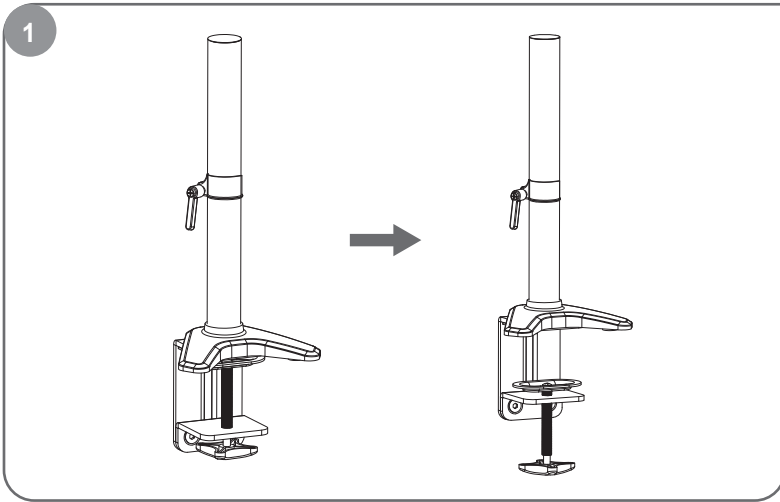
Recessed surface installation: Put 4 spacers between faceplate and monitor. Install 4 screws through faceplate, spacers to monitor via mounting holes.



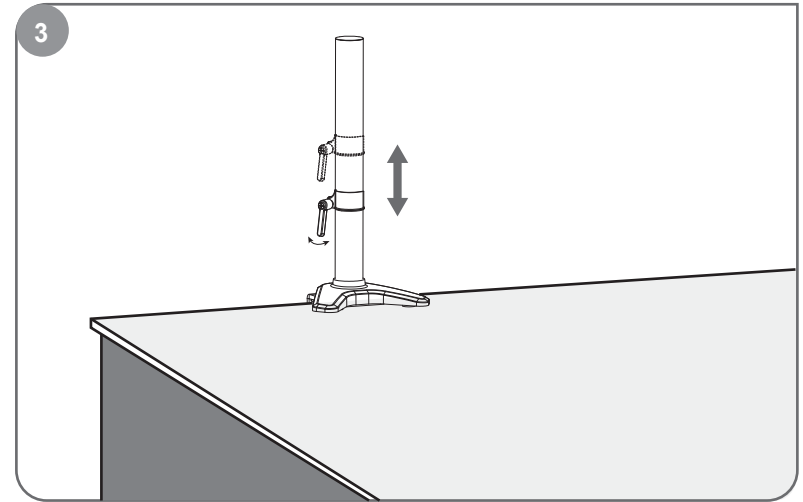
A



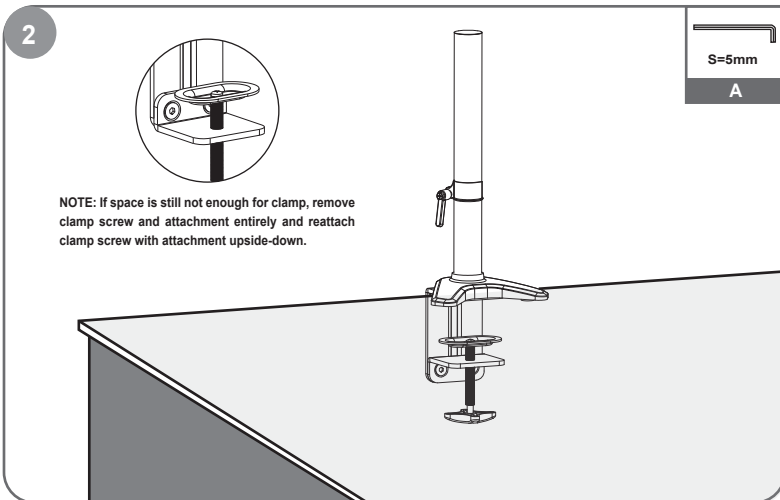
B



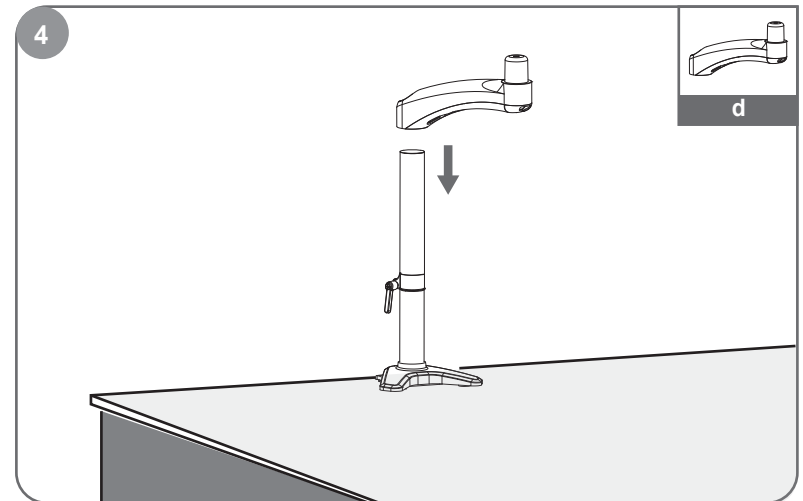
Loosen clamp screw until enough space is left for the edge of the desk.



Adjust locating ring at proper height and screw up tight to hold the mount.



Tighten clamp using clamp screw until mount is securely fastened to desk.



Insert extension arm to the steel pipe above the locating ring.