

SESPM-4P-PMB Pole Mount Bracket Kit

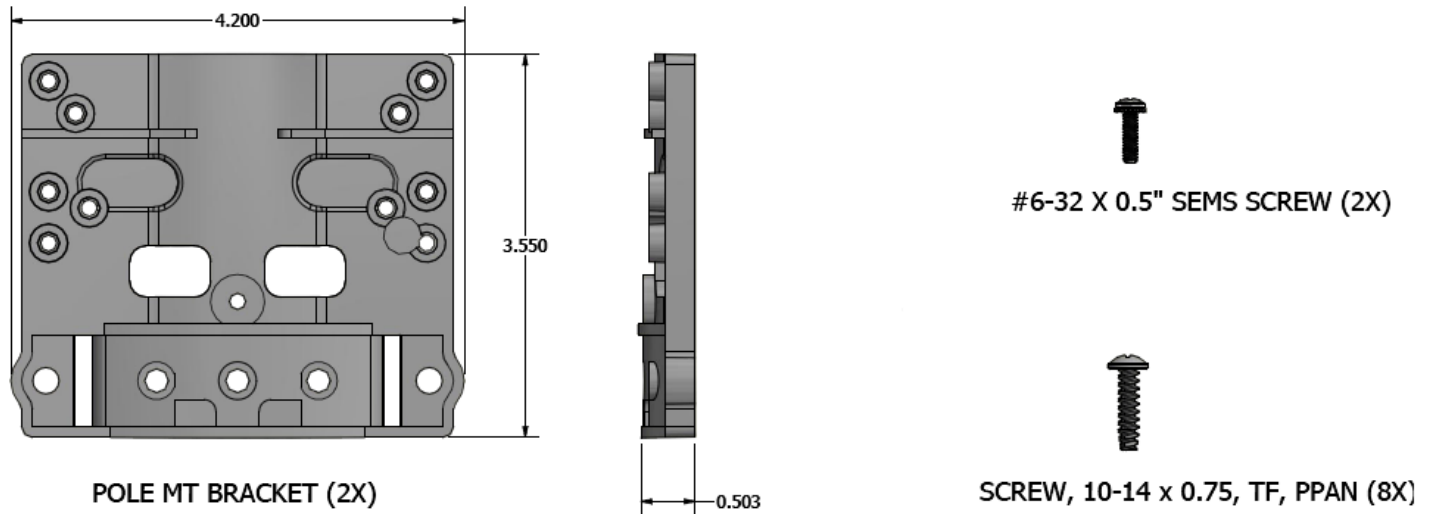
Option Install Guide

SESPM1040-541-LT-xx Switch Pole Mounting Using Optional Pole Mount Bracket SESPM-4P-PMB



Note: For poles greater than 4" diameter, use pole straps (not provided) with bracket.
For poles less than 4" diameter, use 1-3/8" x 1/4" U-bolts (not provided) with brackets.

Note: SESP-4P-PMB installation is slightly different for the SESP1040-541-LT-AC and -DC versions (machine screws are needed in 2 places to attach to the heatsink) versus the -PD version (self-tapping screws can be used).

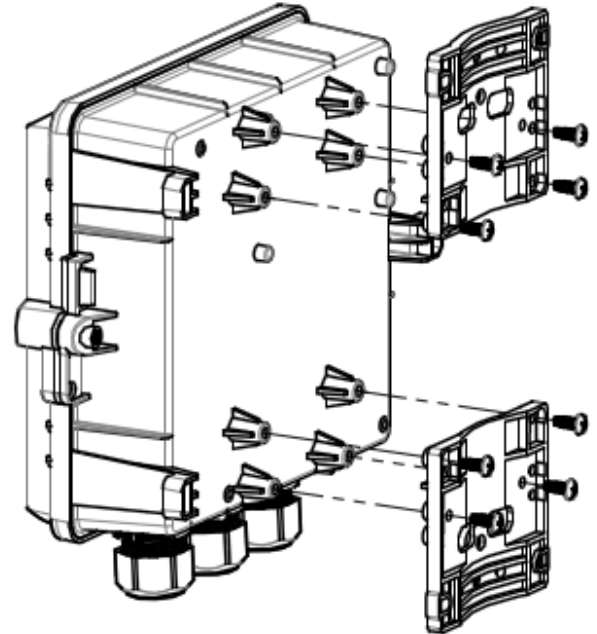
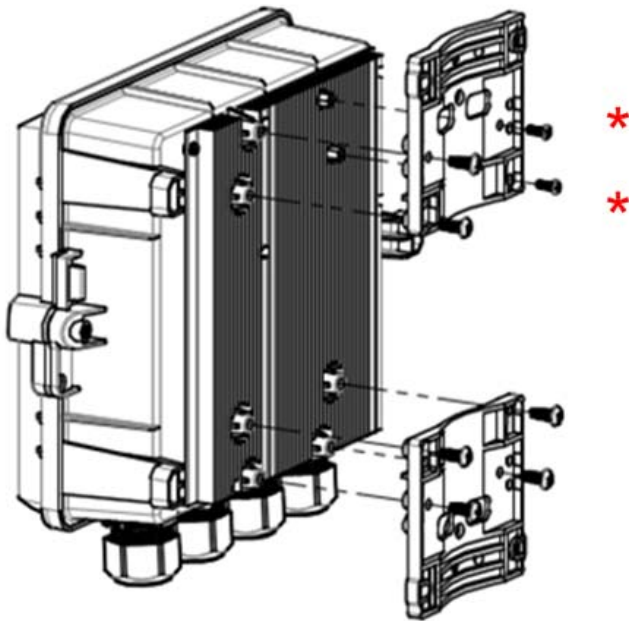


SESPM-4P-PMB Parts List

<u>Qty</u>	<u>DESCRIPTION</u>
1	Packaging, 6 x 6, 2MIL Reclosable Poly Bag
1	Manual, SESP-4P-PMB Option Install Guide
2	Pole Bracket, 010685, Plastic, POE++
8	Screw, Self-Tapping, SEMS, #6-32 X 0.5"
2	Screw, Machine, TF, PPAN, 10-14 x 0.75
1	Packaging, 2 x 3, 2MIL Reclosable Poly Bag

SESPM-4P-PMB Install Procedure

1. See the *SESPM1040-541-LT-xx Install Guide* for important Cautions and Warnings.
2. Unpack the kit and verify the contents.
3. Mount upper bracket:
 - a. On the –AC and –DC position upper bracket as shown, insert four Machine Screws and tighten. Repeat for Lower bracket.
 - b. On the –PD position upper bracket as shown, insert two Self-Tapping Screws and tighten.
4. Mount switch with SESPМ-4P-PMB attached to pole. Use appropriate U-bolts (not included) or metal straps (not included) to secure SESPМ-4P-PMB to the pole.



SESPM1040-541-LT-AC or -DC with Pole Mount Bracket Kit
(Six Self-tapping and Two* Machine Screws)

SESPM1040-541-LT-PD with Pole Mount Bracket Kit
(Eight Self-Tapping Screws)