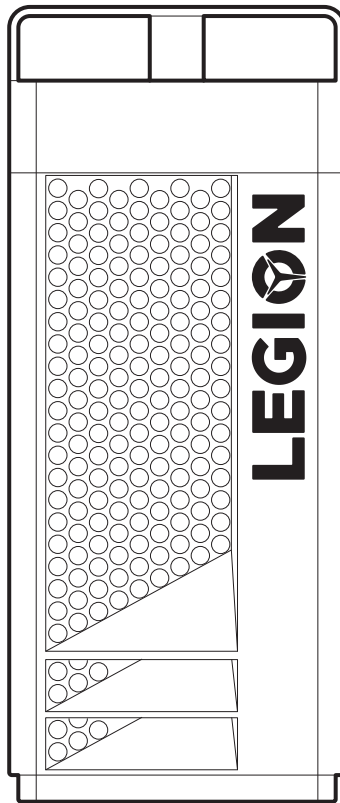


**Lenovo**<sup>TM</sup>

# Legion T730/T530 Series

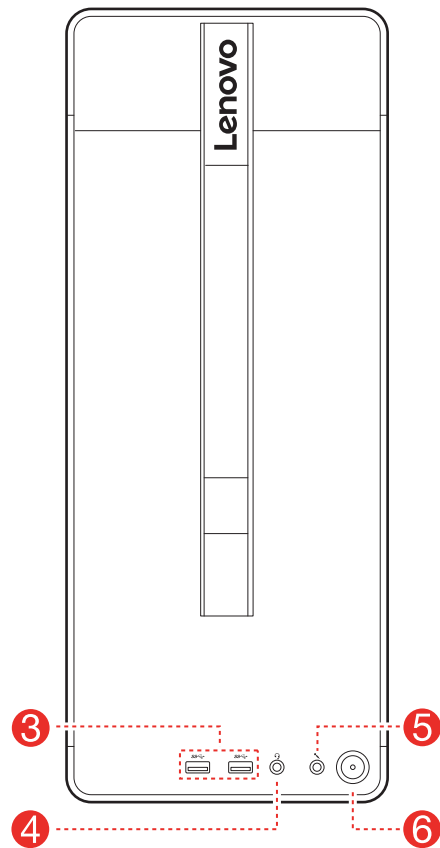
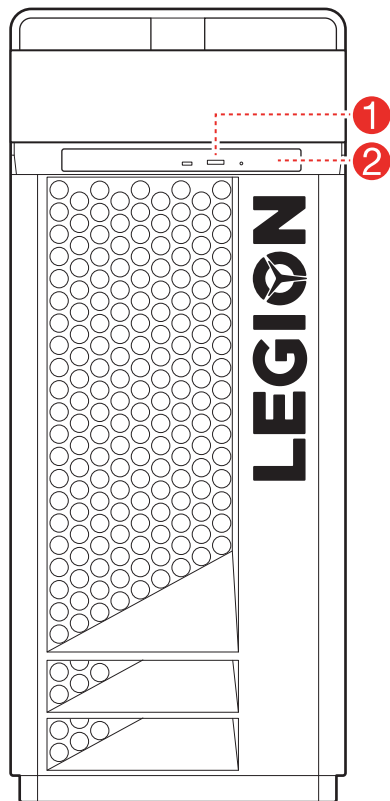
## User Guide

Machine Type (MT): 90JF, 90JL, 90JU, 90JY, 90K0  
Energy Star MT: 90JF, 90JL, 90JY



## Front and top view of the computer

---



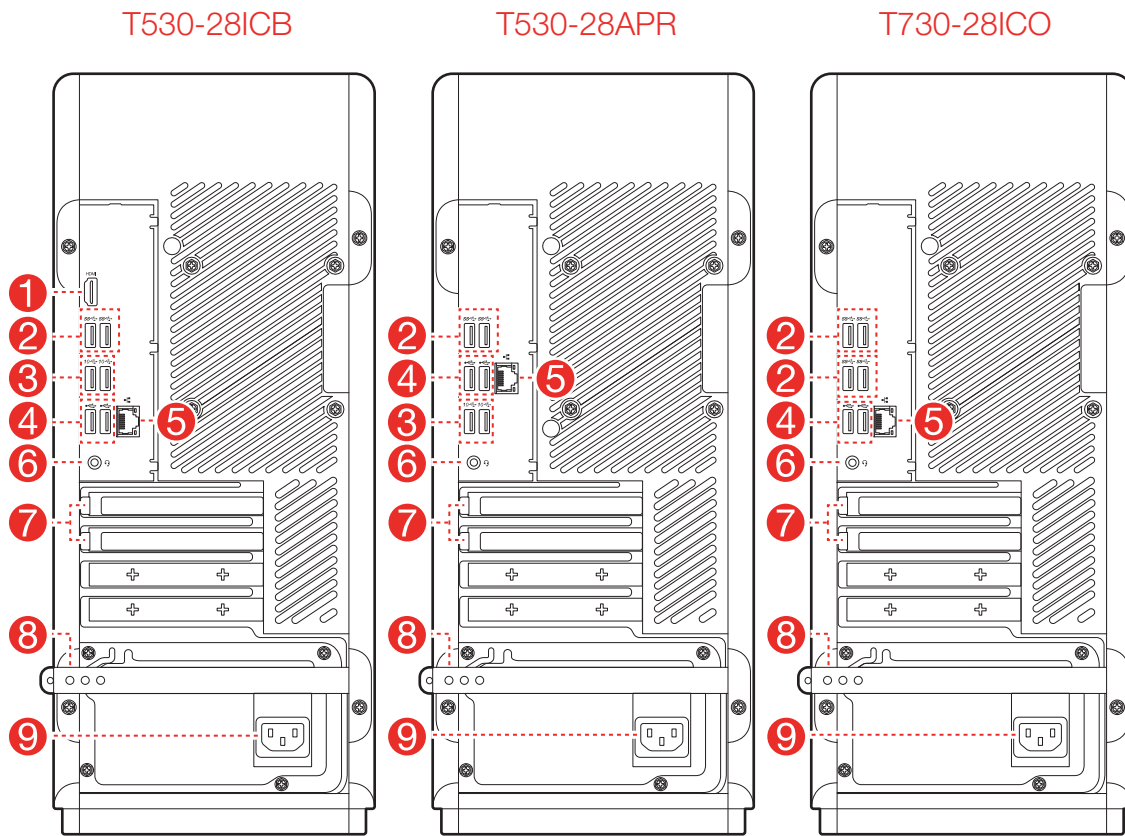
- ① Optical drive eject button (selected models only)
- ② Optical drive (selected models only)

- ③ USB 3.1 Gen 1 connectors (2)
- ④ Headset connector
- ⑤ Microphone connector
- ⑥ Power button

**ATTENTION:** Be sure not to block any air vents on the computer. Blocked air vents may cause thermal problems.

**NOTE:** This computer only can be placed in a vertical position.

# Rear view of the computer



- ① HDMI-out connector
- ② USB 3.1 Gen 1 connectors (2)
- ③ USB 3.1 Gen 2 connectors (2)
- ④ USB 2.0 connectors (2)
- ⑤ Ethernet connector
- ⑥ Headset connector
- ⑦ Expansion card slots (such as graphic card)
- ⑧ Rubber cable tie
- ⑨ Power connector

**NOTE:** If your model has two VGA monitor connectors, be sure to use the connector on the graphics adapter.

## Safety information for replacing CRUs

---

Do not open your computer or attempt any repairs before reading the “Important safety information” in the *Safety, Warranty, Environment, Recycling Information Guide* and *Important Product Information Guide* that was included with your computer.

If you no longer have this copy of the *Safety, Warranty, Environment, Recycling Information Guide* and *Important Product Information Guide*, you can obtain one online from the website at <http://www.lenovo.com/UserManuals>.

## Pre-disassembly instructions

---

Before proceeding with the disassembly procedure, make sure that you do the following:

1. Turn off the power to the system and all peripherals.
2. Unplug all power and signal cables from the computer.
3. Place the system on a flat, stable surface.

CRUs for your computer include:

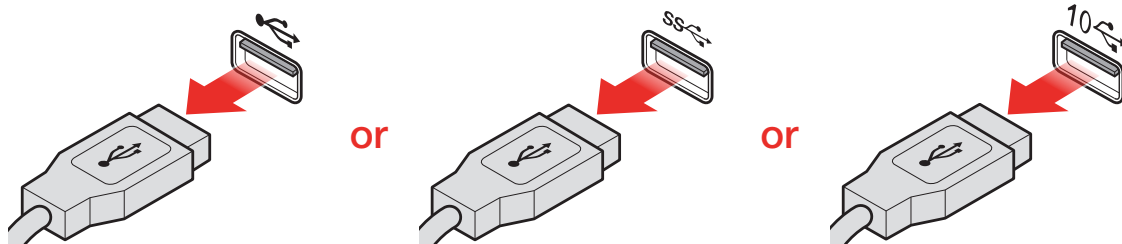
- keyboard
- mouse
- power cord
- computer cover
- hard disk drive
- optical drive
- solid state drive
- heat sink and fan assembly
- PCI express adapter
- memory module
- coin-cell battery
- power supply

This part contains instructions for replacing the following parts:

- Hard disk drive (Follow steps: **3 4 6**)
- Optical drive (Follow steps: **3 4 7**)
- Solid state drive (Follow steps: **3 4 8**)
- Heat sink and fan assembly (Follow steps: **3 4 9**)
- PCI express adapter (Follow steps: **3 4 10**)
- Memory module (Follow steps: **3 4 11**)
- Coin-cell battery (Follow steps: **3 4 12**)
- Power supply (Follow steps: **3 4 13**)

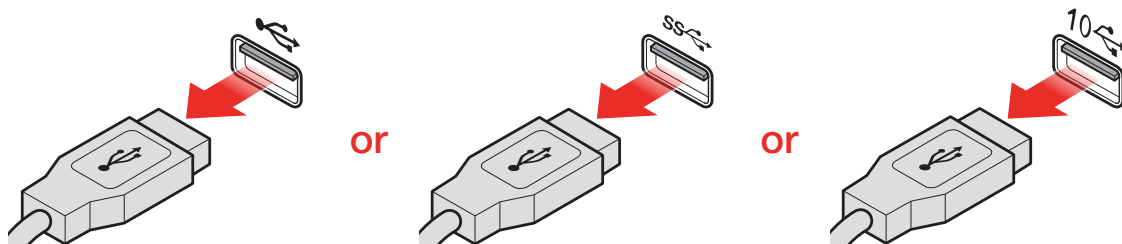
## **1** Removing the keyboard

---



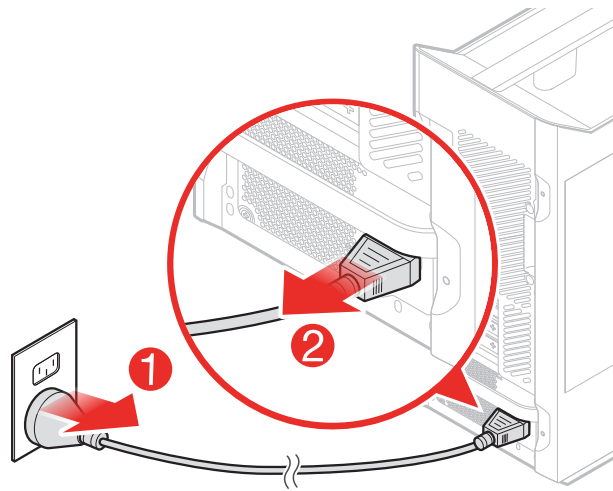
## **2** Removing the mouse

---



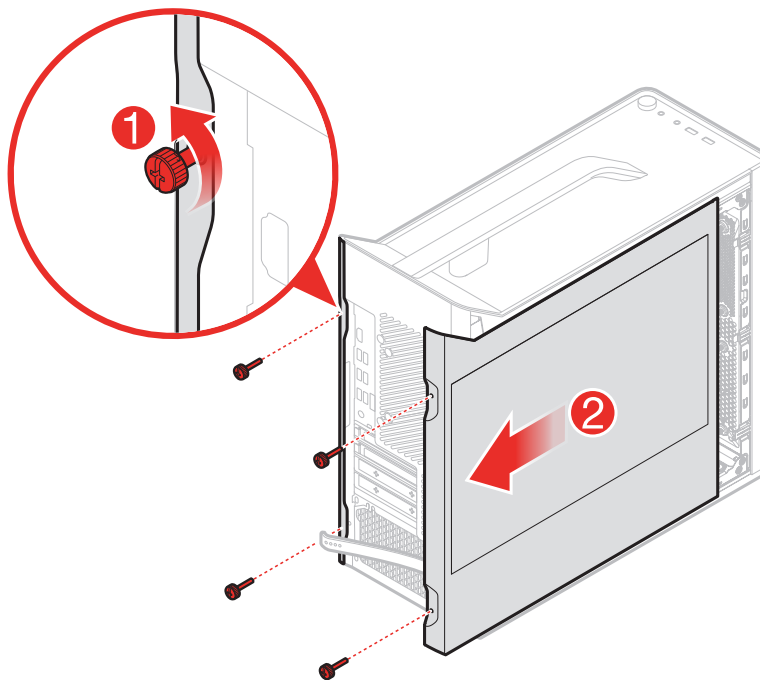
### 3 Removing the power cord

---



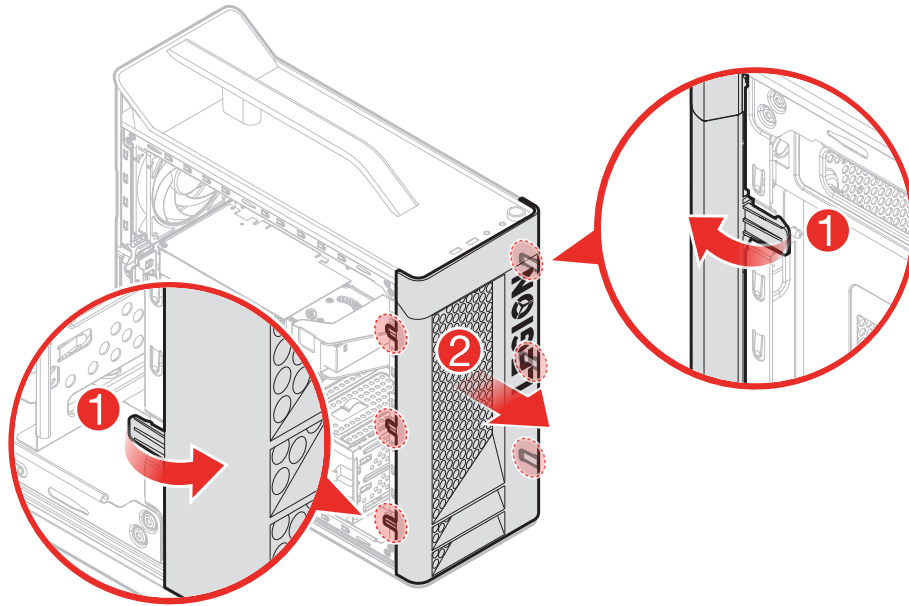
### 4 Removing the computer cover

---



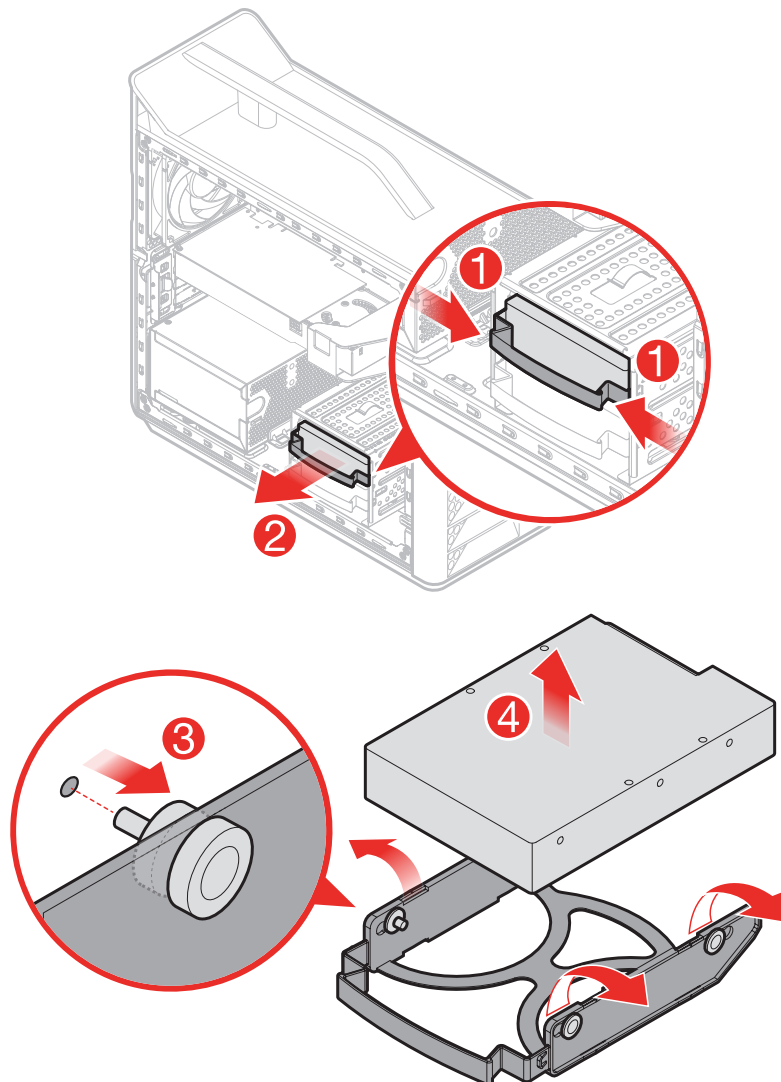
## 5 Removing the front bezel

---



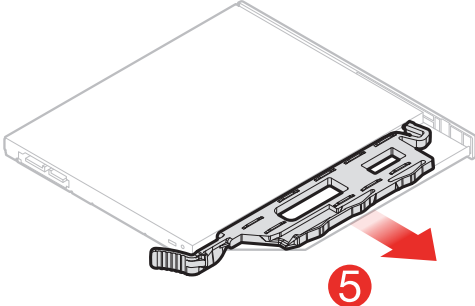
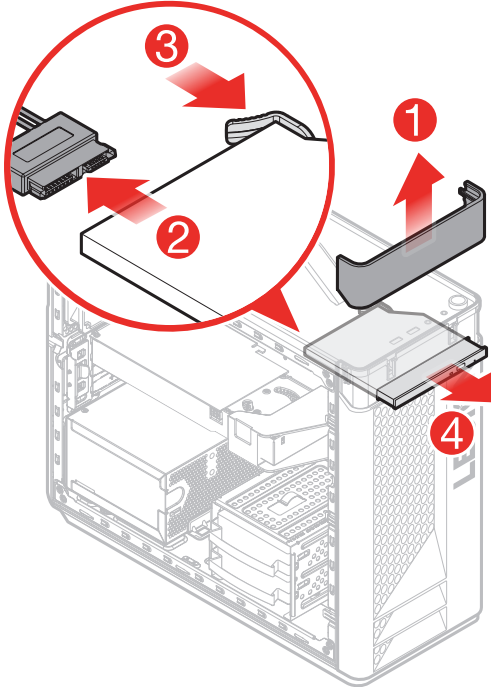
## 6 Replacing a hard disk drive

---



# 7 Replacing the optical drive

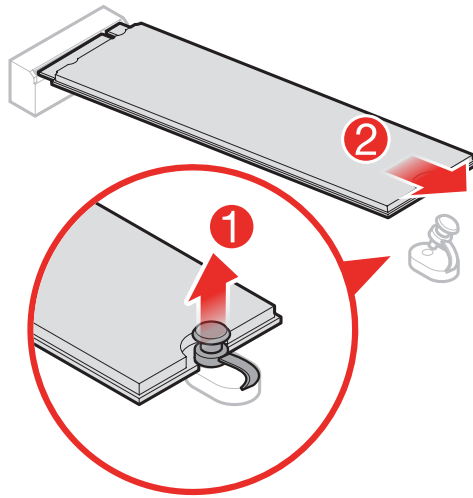
---





## 8 Replacing the solid state drive

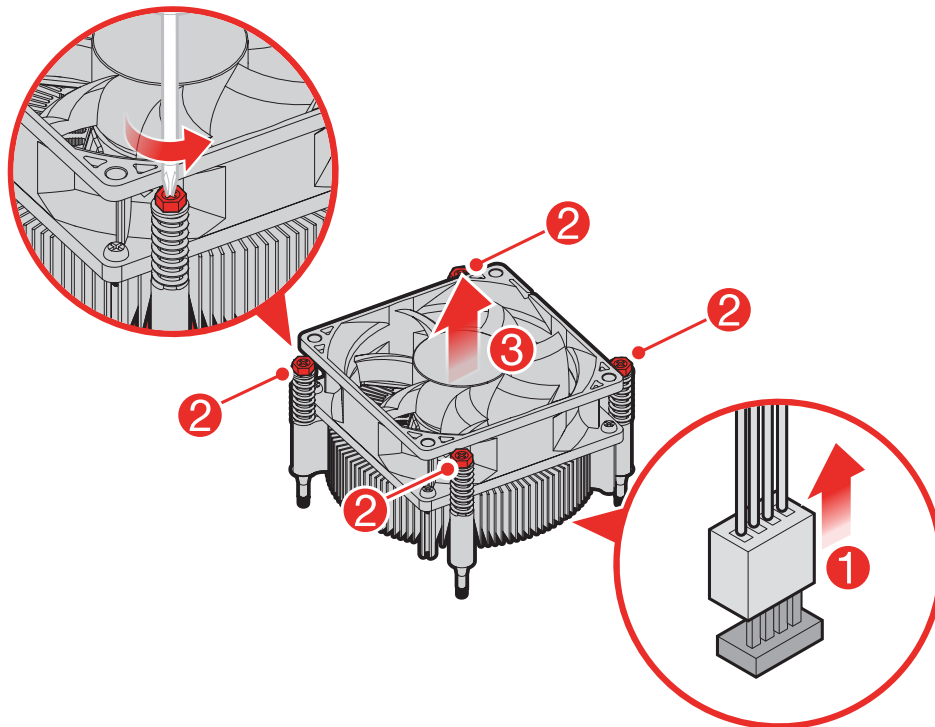
---



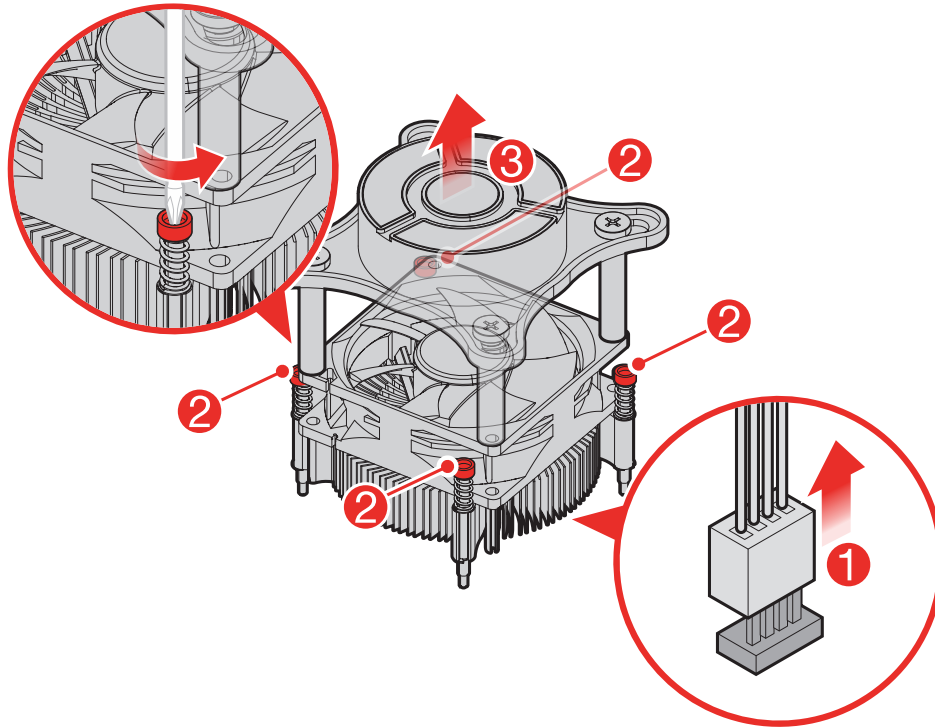
## 9 Replacing the heat sink and fan assembly

---

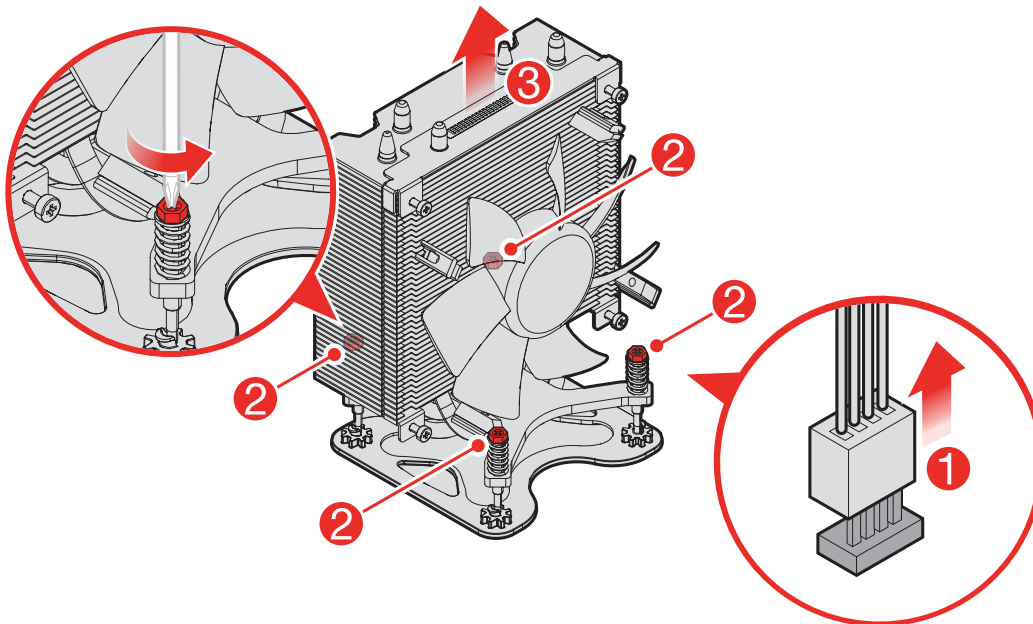
- Type 1



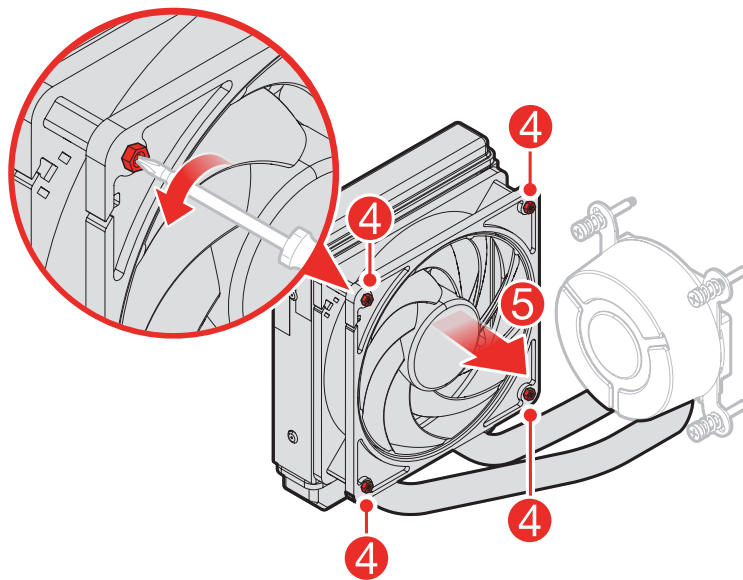
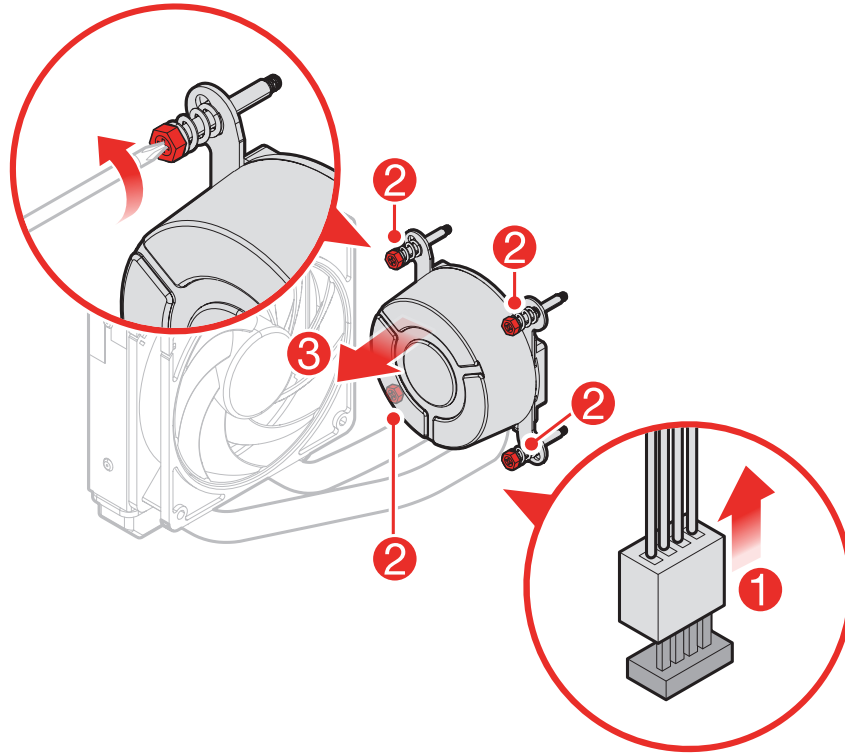
- Type 2



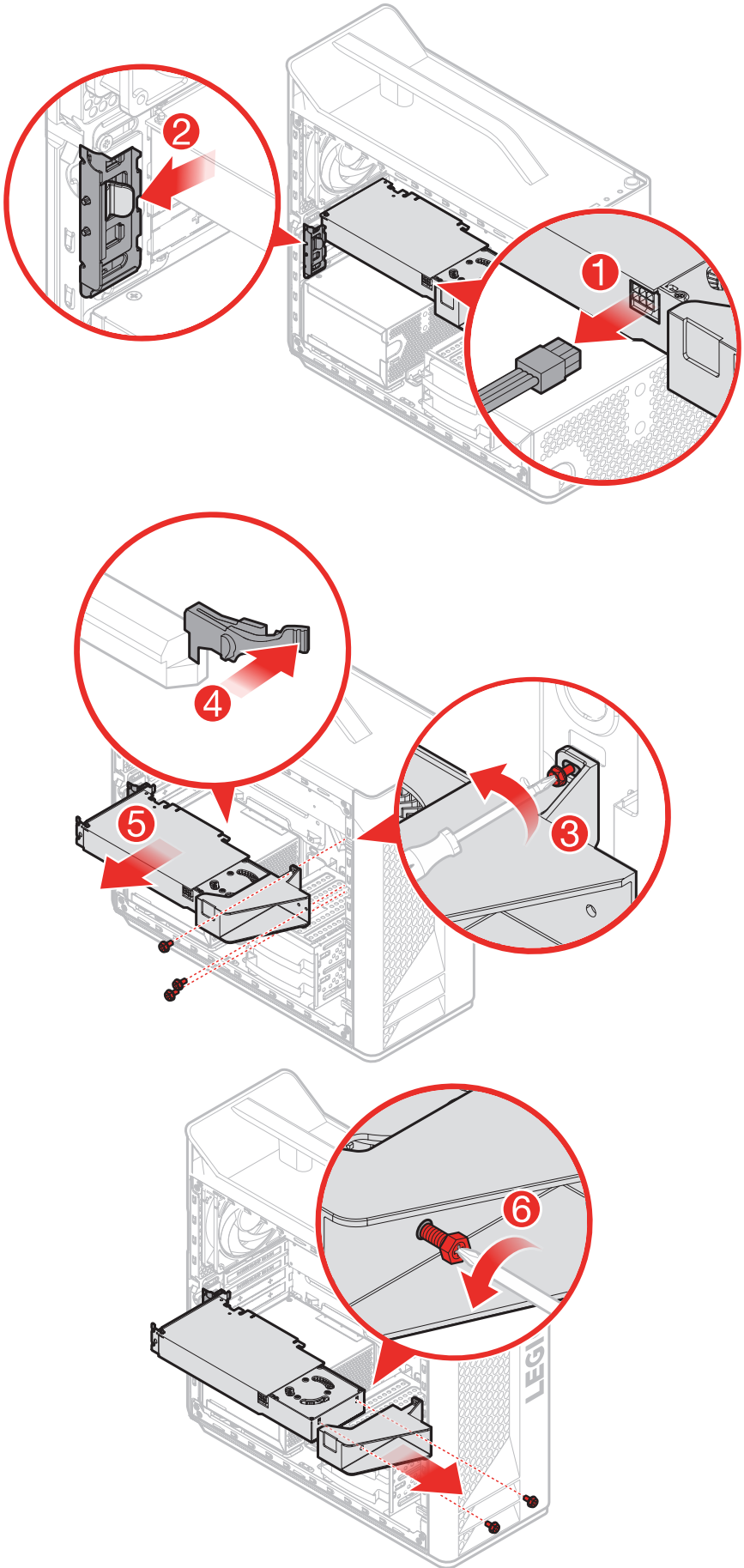
- Type 3



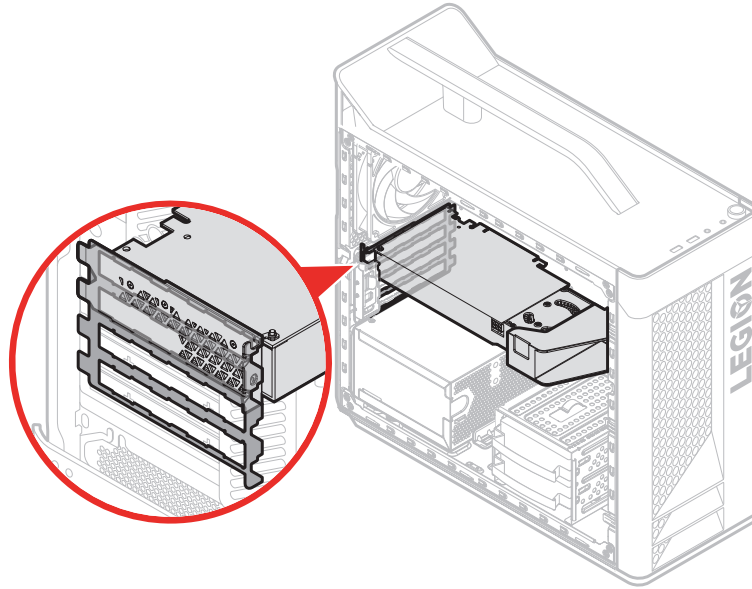
• Type 4



# 10 Replacing a PCI express adapter

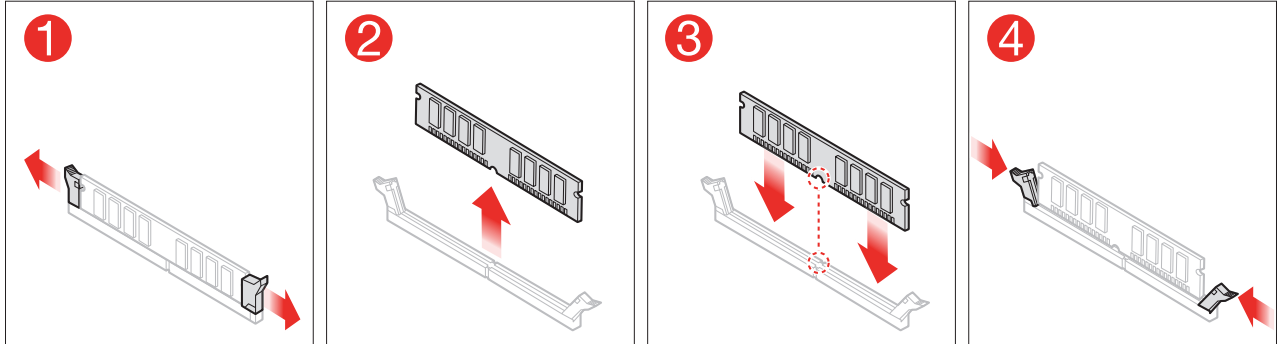


**NOTE:** When you install the PCI express adapter, place the PCI port area toward the EMI gasket with the correct orientation.



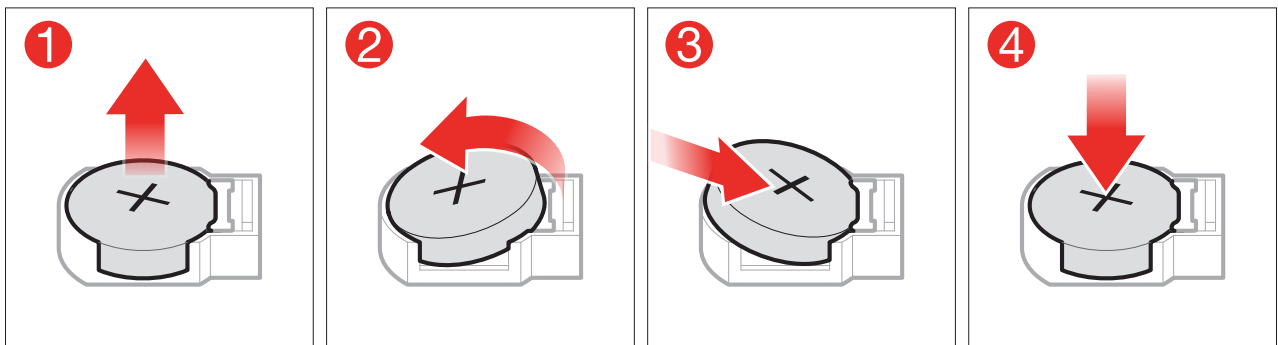
## 11 Replacing the memory module

---



## 12 Replacing the coin-cell battery

---



# 13 Replacing a power supply

---

