

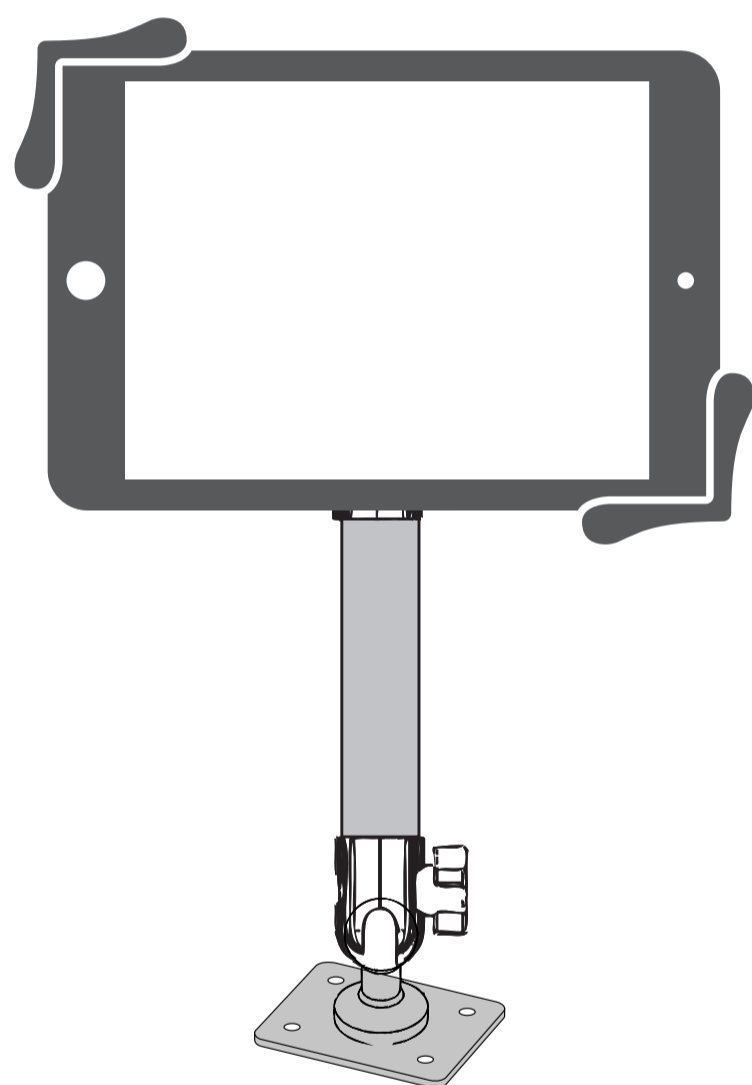


CTA DIGITAL

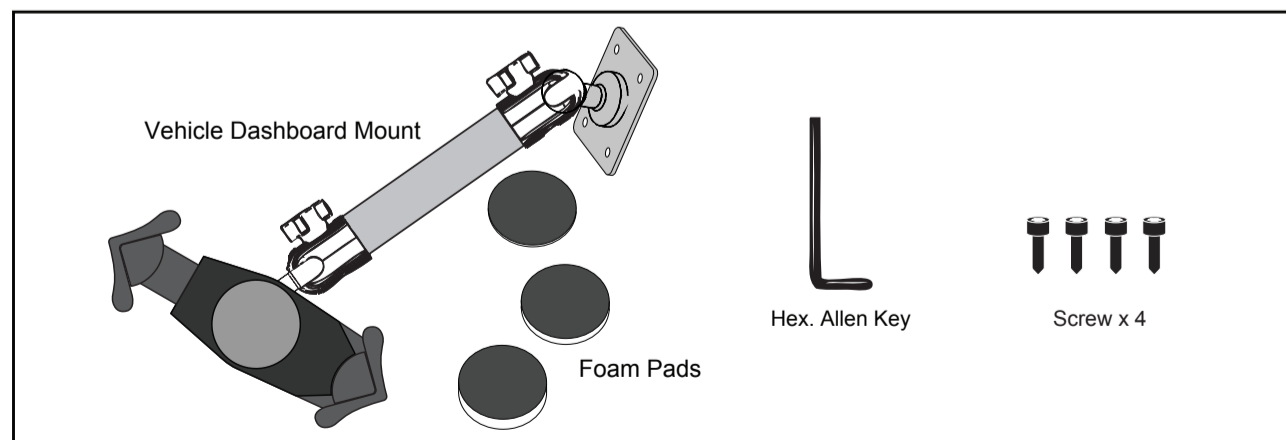
# AUT-VDM

## Vehicle Dashboard Mount for 7-14 Inch Tablets INSTRUCTION MANUAL

Thank you for choosing CTA Digital's product. We hope that you will enjoy using it. Please follow the guidelines and instructions as laid out in this instruction manual.

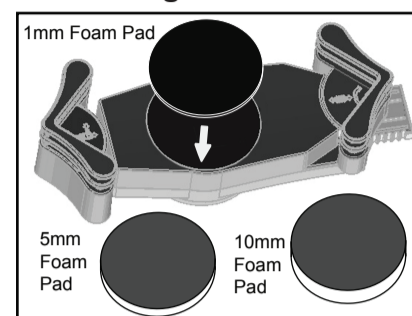


### Package Contents:



### Instructions:

#### 1. Attaching Foam Pad to Tablet Holder



Use this table to determine the appropriate foam pad to use with your tablet.

**Note:** sizes refer to total tablet size with or without a case.

Foam Pad Thickness	Tablet Thickness:
1mm	0.67-1.06in / 17-27mm
5mm	0.51-0.91in / 13-23mm
10mm	0.31-0.71in / 8-18mm

Select the appropriate foam pad according to the thickness of your tablet (or tablet in its case), then press adhesive side into center of the tablet holder.

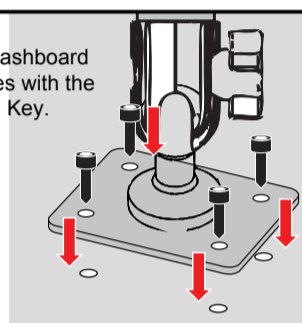
#### 2. Installing Vehicle Dashboard Mount to your Vehicle

For permanent installation, connect the dashboard Mount to the wall, roof or dash. This will require drilling into your vehicle's interior surface.

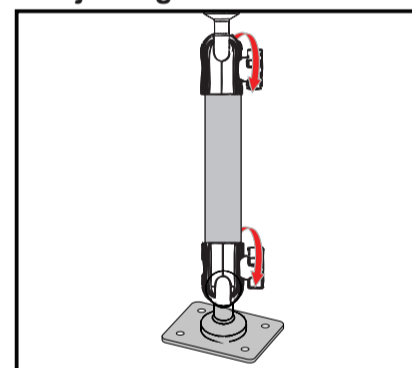
**!** Drilling into the dash, wall, or roof will permanently damage the vehicle. Use caution and consult a mobile install professional to avoid drilling into the gas tank, electrical system or other highly sensitive vehicle components.

1. Make holes on the dashboard, wall or roof of your vehicle.

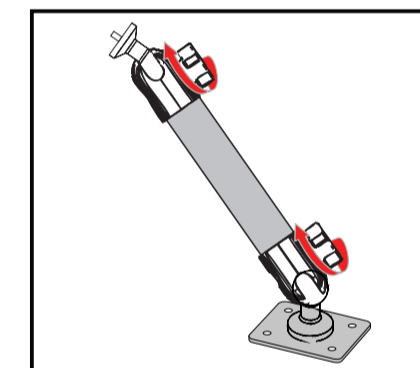
2. Screw up the dashboard mount to the holes with the screws and Allen Key.



#### 3. Adjusting the Flex Arm

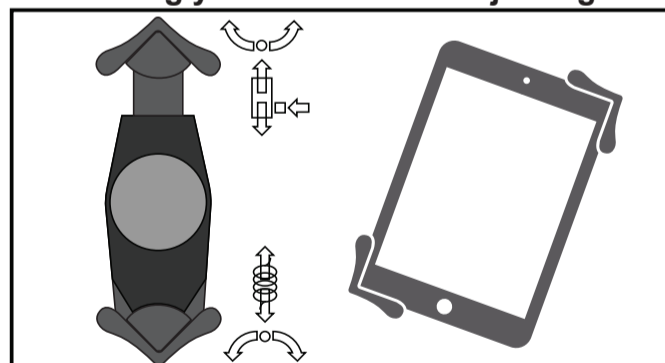


1. Twist the SCREW KNOB counter-clockwise to release the connection.

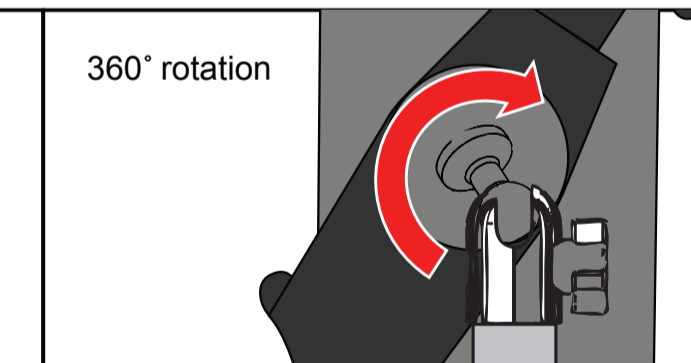


2. Adjust the arm to your favorite position and then tighten the SCREW KNOB clockwise.

#### 4. Installing your Device and Adjusting the Tablet holder



1. Press quick release button on side of tablet holder to release the adjustable end. Insert tablet corner against the spring arm, then push adjustable arm down against opposite corner. Be sure it is as snug as possible.



2. Tablet holder rotates 360 degrees for custom viewing angles.

### Caution

Please be sure to fasten all the screws were tightened securely while using the stand.  
Not for use while driving.  
Max loading :1KG



### Safety Precautions

Do not install CTA's products over an air bag cover or within the air bag deployment zone. CTA Digital, Inc. assumes no responsibility or liability for injury or death as a result of car crashes and / or air bag deployment. CTA is not responsible for any damages caused to your vehicle, your device, or yourself due to the installation or use of this product.

SUPPORT@CTADIGITAL.COM