



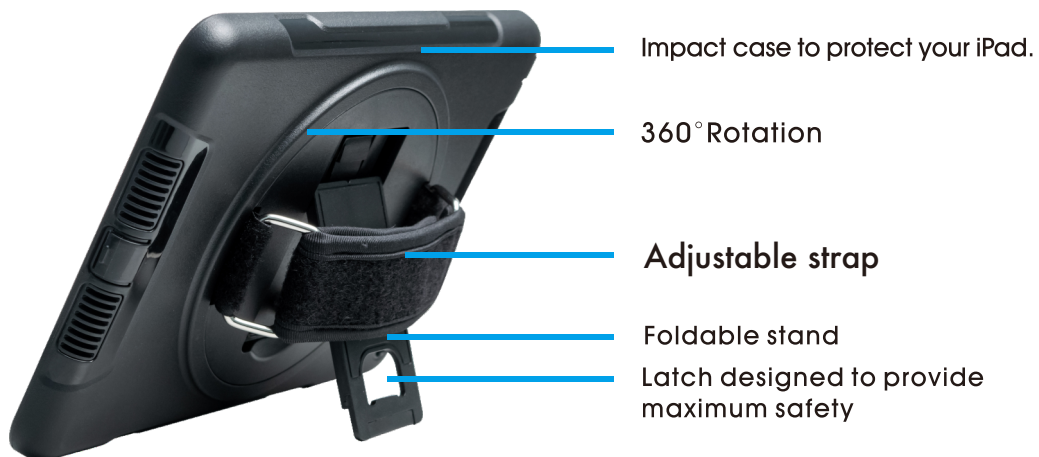
# Protective Case with Build in 360° Rotatable Grip Kickstand for iPad Pro 9.7

## INSTRUCTION MANUAL

PAD-PCGK9

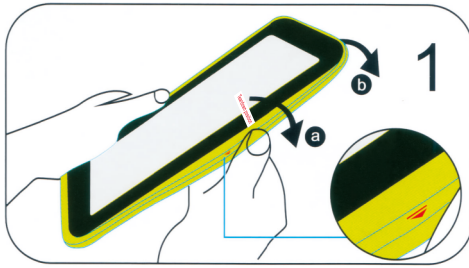


## Features

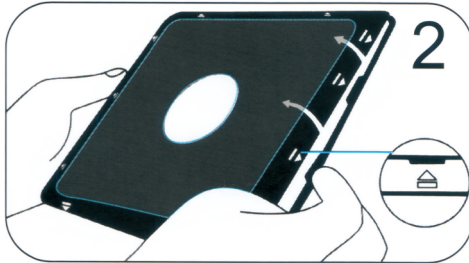


# Installation

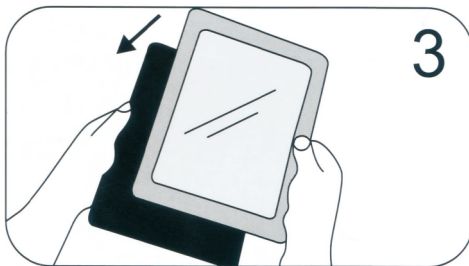
If your iPad has a previously installed screen protector, please remove it before continuing.



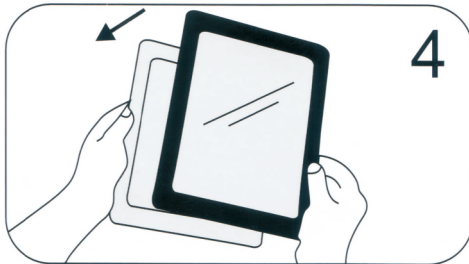
1 Remove the external silicone sleeve by peeling it away from the internal hard case.



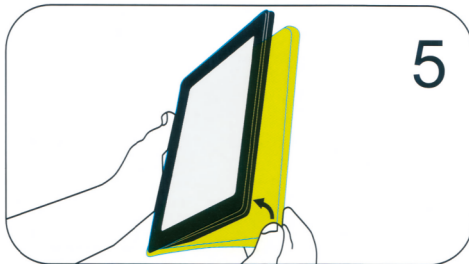
2 Gently apply pressure to the small clips (as indicated by the arrows) and unclip all four sides. Once all the sides are unclipped, the internal hard case will open.



3 Insert the iPad into the rear cover.



4 Once the iPad is inside the rear cover, place the internal front cover on top and gently clip all four sides into position.



5 Reinstall the external silicone rubber sleeve.

# Using the stand

