



ExtremeMobility™ AP510i FCC/WR Installation Guide



Copyright © 2019 Extreme Networks, Inc. All rights reserved.

Legal Notice

Extreme Networks, Inc. reserves the right to make changes in specifications and other information contained in this document and its website without prior notice. The reader should in all cases consult representatives of Extreme Networks to determine whether any such changes have been made.

The hardware, firmware, software or any specifications described or referred to in this document are subject to change without notice.

Trademarks

Extreme Networks and the Extreme Networks logo are trademarks or registered trademarks of Extreme Networks, Inc. in the United States and/or other countries.

All other names (including any product names) mentioned in this document are the property of their respective owners and may be trademarks or registered trademarks of their respective companies/owners.

For additional information on Extreme Networks trademarks, please see:

www.extremenetworks.com/company/legal/trademarks

Open Source Declarations

Some software files have been licensed under certain open source or third-party licenses. End-user license agreements and open source declarations can be found at:

www.extremenetworks.com/support/policies/software-licensing

Table of Contents

Preface.....	4
Conventions.....	4
Providing Feedback to Us.....	4
Getting Help.....	4
Documentation and Training.....	5
Chapter 1: Overview.....	6
Features.....	6
AP510i LED Status.....	8
AP510i Powering Methods.....	9
Chapter 2: Installation Process.....	11
Verifying the Box Contents.....	11
Mounting and Connecting the AP.....	11
Mounting Brackets and Accessories Usage.....	12
Mounting the AP on a Dry or Wood Wall/Solid Flat Ceiling.....	14
Mounting to a Suspended/Drop Ceiling.....	20
Mounting to a Junction/Gang box.....	25
Mounting the AP to a Beam.....	26
Chapter 3: Specifications.....	27
Chapter 4: Antenna Information.....	28
Chapter 5: Regulatory Information.....	34
Safety Guidelines.....	34
Federal Communications Commission (FCC) Notice.....	34
Industry Canada Notice.....	35
Brazil Anatel.....	36
Hazardous Substances.....	36
Supplement to Product Instructions.....	36
NCC Statement.....	37
CE Information.....	37
European Waste Electrical and Electronic Equipment (WEEE) Notice.....	38
Declaration of Conformity in Languages of the European Community.....	38
Index.....	40

Preface

This section discusses the conventions used in this guide, ways to provide feedback, additional help, and other Extreme Networks® publications.

Conventions

This section discusses the conventions used in this guide.

Providing Feedback to Us

Quality is our first concern at Extreme Networks, and we have made every effort to ensure the accuracy and completeness of this document. We are always striving to improve our documentation and help you work better, so we want to hear from you! We welcome all feedback but especially want to know about:

- Content errors or confusing or conflicting information.
- Ideas for improvements to our documentation so you can find the information you need faster.
- Broken links or usability issues.

If you would like to provide feedback to the Extreme Networks Information Development team, you can do so in two ways:

- Use our short online feedback form at <https://www.extremenetworks.com/documentation-feedback/>.
- Email us at documentation@extremenetworks.com.

Please provide the publication title, part number, and as much detail as possible, including the topic heading and page number if applicable, as well as your suggestions for improvement.

Getting Help

If you require assistance, contact Extreme Networks using one of the following methods:

- | | |
|-----------------------|--|
| Extreme Portal | Search the GTAC (Global Technical Assistance Center) knowledge base, manage support cases and service contracts, download software, and obtain product licensing, training, and certifications. |
| The Hub | A forum for Extreme Networks customers to connect with one another, answer questions, and share ideas and feedback. This community is monitored by Extreme Networks employees, but is not intended to replace specific guidance from GTAC. |
| Call GTAC | For immediate support: 1-800-998-2408 (toll-free in U.S. and Canada) or +1 408-579-2826. For the support phone number in your country, visit: www.extremenetworks.com/support/contact |

Before contacting Extreme Networks for technical support, have the following information ready:

- Your Extreme Networks service contract number and/or serial numbers for all involved Extreme Networks products
- A description of the failure
- A description of any action(s) already taken to resolve the problem

-
- A description of your network environment (such as layout, cable type, other relevant environmental information)
 - Network load at the time of trouble (if known)
 - The device history (for example, if you have returned the device before, or if this is a recurring problem)
 - Any related RMA (Return Material Authorization) numbers

Subscribing to Service Notifications

You can subscribe to email notifications for product and software release announcements, Vulnerability Notices, and Service Notifications.

- 1 Go to www.extremenetworks.com/support/service-notification-form.
- 2 Complete the form with your information (all fields are required).
- 3 Select the products for which you would like to receive notifications.



Note

You can modify your product selections or unsubscribe at any time.

- 4 Click **Submit**.

Documentation and Training

To find Extreme Networks product guides, visit our documentation pages at:

Current Product Documentation	www.extremenetworks.com/documentation/
Archived Documentation (for earlier versions and legacy products)	www.extremenetworks.com/support/documentation-archives/
Release Notes	www.extremenetworks.com/support/release-notes
Hardware/Software Compatibility Matrices	https://www.extremenetworks.com/support/compatibility-matrices/
White papers, data sheets, case studies, and other product resources	https://www.extremenetworks.com/resources/

Training

Extreme Networks offers product training courses, both online and in person, as well as specialized certifications. For more information, visit www.extremenetworks.com/education/.

1 Overview

Features

AP510i LED Status

AP510i Powering Methods

The AP510i is a next generation, indoor ceiling mount model enterprise class 802.11ax access point. The “i” in AP510i indicates that it comes with internal antennas. The AP features a dual-band radio and comes with eight WiFi internal antennas and one Bluetooth Low Energy (BLE) antenna.

The AP510i can be mounted on a dry or wood wall, solid flat ceiling, junction/ gang box, and on a suspended or drop ceiling.



Note

The AP510i requires a minimum base firmware of WiNG 7.1.0.0-138R.

Features

The enterprise class 802.11ax AP510i access point has the following features:

- Radios: 2 radios; 1 IoT radio (2.4 GHz).
- Console Port: RJ45.
- • 1 x 100/1000/2500/5000 Mbps auto-negotiation Ethernet port, RJ45
- • 1 x 10/100/1000 Mbps auto-negotiation Ethernet port, RJ45
- LEDs: 6 – All LEDs will be on during reset (see AP510i LEDs Status for details).
- One Reset button.
- Power: PoE 802.3af; 12VDC external power in connector (see AP510i Powering Methods for details).
- Antennas: – Eight WiFi internal antennas and One BLE internal antenna.
- Temperature:
 - 0°C to +40°C (+32°F to +104°F) @ 6000 ft
 - 0°C to +45°C (+32°F to +113°F) @ Sea Level
- Enclosure: Plastic only.

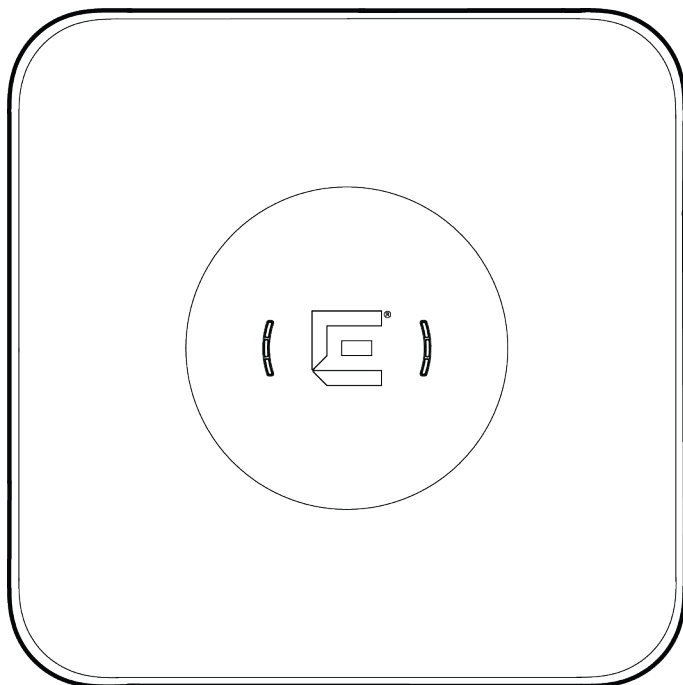


Figure 1: Top view of AP510i

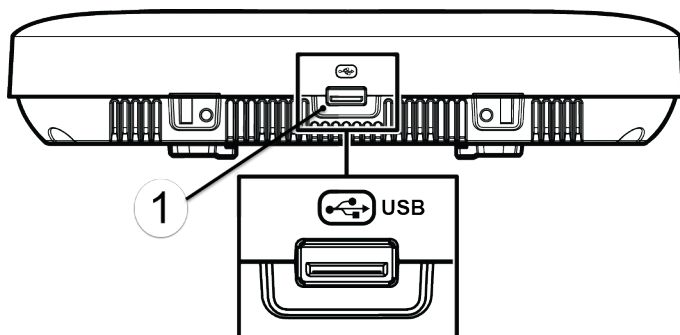


Figure 2: Side view of AP510i

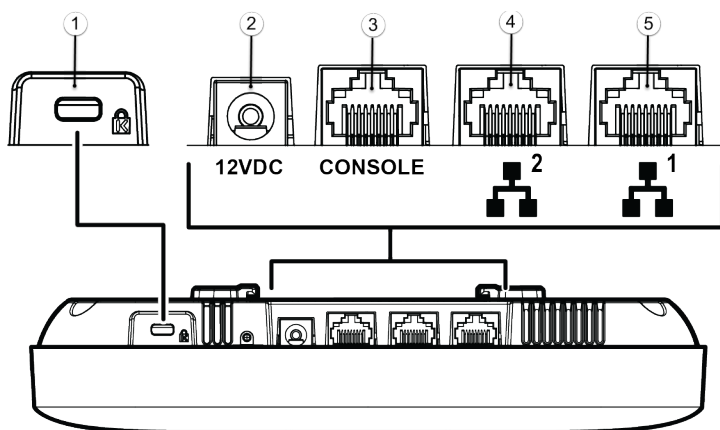


Figure 3: AP510i back ports



Table 1: Description of back ports of AP510i

Number	Description
1	Kensington Lock
2	12V DC power Supply
3	Console Port (Yellow)
4	LAN 2 (GE) (Black)
5	LAN1 (5 GE) (Purple)

Note

On the access point, there is a hole near the Kensington Lock in the top-rear that can be used as a provision for safety hangar. There is also a hole on the rear of the access point that can be used as a safety hangar provision.



The safety hanger can be a wire or a cable that is used to secure the access point and keep it from falling in case ceiling and wall installation using the main mounting bracket fails.

The Kensington lock can use a 3mm diameter safety hangar cable and the rear hole can accommodate a 2.9mm diameter safety hangar cable.

AP510i LED Status

LED Status

The AP510i LEDs are located on the front face of the AP but are not visibly marked.

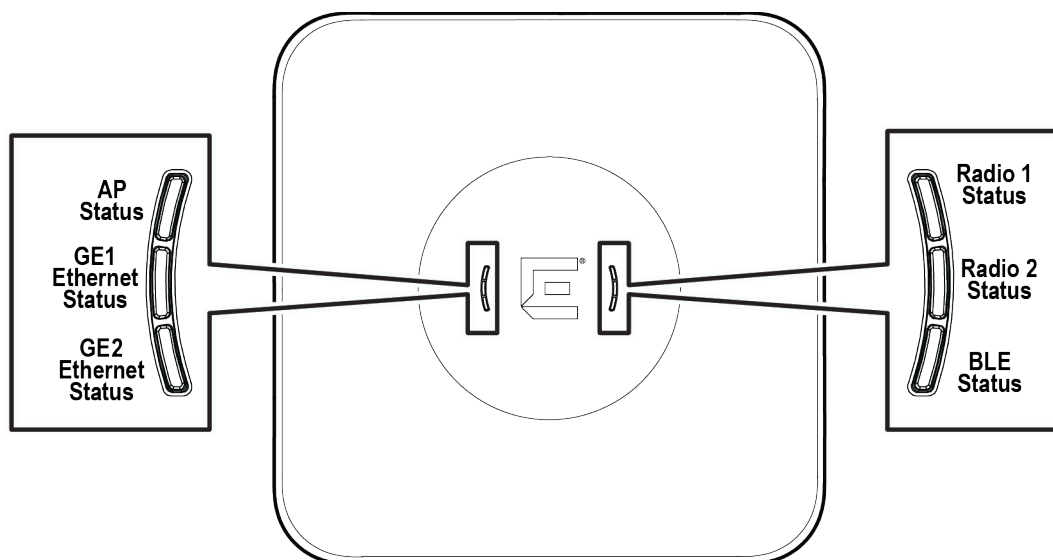
**Figure 4: AP510i LEDs**

Table 2: AP510i LED Status

LED Icon	LED Color	Description
Status	GREEN	Normal operational status
	AMBER	Non-operational status
GE1 Ethernet	AMBER	100Mbps
	GREEN	1000Mbps
	PURPLE	2.5G/5G
GE2 Ethernet	AMBER	100Mbps
	GREEN	1000Mbps
Radio#1 Status	GREEN	2.4GHz
	AMBER	5GHz
	WHITE	Sensor
	OFF	Non-operational status
Radio#2 Status	AMBER	5GHz
	OFF	Non-operational status
IoT (BLE)	BLUE	Indicates BLE is enabled
	OFF	Non-operational status

AP510i Powering Methods

You can power the AP through the RJ45 Ethernet port (LAN 1 (5GE) and LAN2 (GE) ports), see [AP510i back ports](#).

If you need to power the AP510i with an external 12V DC power supply, you can plug the power cord into the power connector on the back of the AP. There is no wall mount bracket for the 12V DC power supply. When the device is powered on, the power LED on the front face of the AP is lit.

Table 3: AP510i Powering Methods

Power Source	Description
Power over Ethernet (PoE)	Redundant power is provided through the RJ45 Ethernet ports (LAN ports) of AP510i. The ports are compliant to be powered with 802.3af and provide full functionality with 802.3at. This is the preferred method of powering the AP on ceiling and high wall installations.
External 12V DC power supply (optional; ordering part #37219- PWR 12VDC, 3A, 2.5mm x 5.5mm connector)	The AP510i can also be powered by an external DC power supply plugged into an AC source. Plug the supply's input jack into the 12V DC port.

**Note**

PoE is disabled when external power supply is used.

The following configuration will allow you to bring up the access point in 802.11af power mode. AP510i 802.11af profile:

- 2x2 (16dBm for both 2.4G and 5G at u.fl connector)
- Only dual band (mode 1), doesn't support dual 5G (mode 3)
- Only 1GE Ethernet, multi-rate Ethernet will be disabled

2 Installation Process

Verifying the Box Contents
Mounting and Connecting the AP
Mounting Brackets and Accessories Usage
Mounting the AP on a Dry or Wood Wall/Solid Flat Ceiling
Mounting to a Suspended/Drop Ceiling
Mounting to a Junction/Gang box
Mounting the AP to a Beam

Follow this procedure to install the AP510e access point:

- 1 Verify the box contents.
- 2 Review the [Safety Guidelines](#).
- 3 Mount the AP to a [dry or wood wall, solid flat ceiling, on a suspended/drop ceiling, junction/gang box, or to a beam](#).
- 4 Connect the [power supply](#).

Verifying the Box Contents

Before you install the AP3915i access point, make sure that you have all the necessary parts.

Verify that the box contains the following items:

Table 4: AP510i Box Contents

Quantity	Items
1	AP510i Quick Reference
1	Mounting bracket for 802.11ax access point (Main mounting bracket)
1	Cloud Quick Start Card
1	AP510i access point
2	Phillips Pan-head wood screws
2	Screw-in anchors

Mounting and Connecting the AP



Caution

Only qualified personnel should perform installation procedures.

Use these instructions as guidelines for mounting and connecting the AP510i easily and safely.

The AP510i comes with a Mounting Bracket (#37201) that can be used to mount the AP on a flat t-bar with flat ceiling tiles, flat surfaces, beams, and some junction/gang boxes. An adaptor and brackets are available for mounting the AP to non-flat ceiling tiles and t-bars. To mount the AP510i on a junction/gang box, use the optional bracket (WS-MBI-WALL04; #30516). All additional and optional parts are sold separately. For more information on brackets and accessories, refer to [Mounting Brackets and Accessories Usage](#) on page 12 section.

Mounting Brackets and Accessories Usage

The access point comes with the Main Mounting Bracket (#37201). It can also be used with various other brackets and accessories that can be purchased separately. Refer to the table below for various mounting brackets and accessories usage and specifications.

Table 5: Mounting Brackets Ordering Part Number details

Mounting Brackets Ordering Part Number	Description
37201	Main mounting bracket for indoor APs (included in the box)
30518	WS-MBI-DCMTR01 bracket
30516	WS-MBI-WALL04 BRACKET
37211	WS-MBI-DCFLUSH bracket

Table 6: Bracket Accessories Ordering Part Number details

Mounting Bracket Accessories Ordering Part Number	Description
KT-135628-01	Universal Mounting Kit for WLAN APs. This accessory is used with the 37201 main mounting bracket
37210	Flat metal easy-attach adaptor. This accessory is used with the 37201 main mounting bracket
BRKT-000147A-01	Beam clip accessory
30525; WS-CAB-RJ45-FLT01	RJ45 flat cable accessory. This accessory can be used with ceiling mount brackets.

Table 7: Power Supply Ordering Part Number detail

Power Supply Ordering Part Number	Description
37219	PWR 12V DC, 3A, 2.5 mm X 5.5 mm connector

Table 8: Mounting Brackets and Accessories Usage and Specifications

Mounting Bracket/Accessory	Wall Install	Solid Flat Ceiling Install	Ceiling Install (T-bar)	Ceiling Install (Protruded T-bar)	Junction Box Install	Beam Install	Protrusion	T-bar Width (s)	Notes
37201; Main Mounting Bracket	Yes	Yes	Yes	Yes, by adding the optional T-bar adaptor to the main bracket	No	Yes, by adding the beam clip to the main bracket	No	15/16"	This bracket comes with the access point. Installation methods: Wall mount or flush ceiling mount with single width.
KT-135628-01 Accessory; Requires #37201 bracket for mounting	No	No	Yes	Yes	No	No	Yes	15/16"	Wall mount or protruded ceiling mount with single width.
30518 WS-MBI-DCMTR01; Bracket	No	No	Yes	Yes	No	No	Yes	9/16", 1.5", 15/16"	Protruded ceiling mount with varying widths.
30516 WS-MBI-WALL04; Bracket	Yes	Yes	No	No	Yes	No	No	No	Wall mount with single width. Junction/Gang box mounting.

Table 8: Mounting Brackets and Accessories Usage and Specifications (continued)

Mounting Bracket/Accessory	Wall Install	Solid Flat Ceiling Install	Ceiling Install (T-bar)	Ceiling Install (Protruded T-bar)	Junction Box Install	Beam Install	Protrusion	T-bar Width (s)	Notes
37210 Flat metal easy-attach adaptor; Requires #37201 bracket for mounting	Yes	Yes	No	No	No	No	No	15/16"	Wall mount or flush ceiling mount with single width or any solid surface.
37211 WS-MBI-DCFLUSH; Bracket	No	No	Yes	Yes	No	No	Yes	9/16", 1.5", 15/16"	Protruded ceiling mount with varying widths.
BRKT-00 0147A-01; Beam Clip Accessory	No	No	No	No	No	Yes	No	N/A	The beam clip is attached to the 37201 main mounting bracket.
30525 WS-CABRJ45 - FLT01; Accessory; used with any ceiling bracket	No	Yes	Yes	No	No	No	No	N/A	This accessory can be used only with ceiling mount brackets listed in this table.

Mounting the AP on a Dry or Wood Wall/Solid Flat Ceiling

The access point can be mounted to a dry/wood wall or a solid flat ceiling using:

- 1 #37201, Main mounting bracket that ships with the unit.
- 2 #30516, WS-MBI-WALL04 bracket, two Philips pan-head screws, and screw-in anchors, which must be purchased separately.



Note

The WALL04 bracket and screw-in anchors are used only for wall mounting.

- 3 #37201, Main bracket with #37210, Flat Metal-Easy Attach Adaptor.

- 4 Philips pan-head screws directly onto the wall (not recommended).

Mounting to a wall using the Main Mounting Bracket

The main mounting bracket (#37201) ships with the AP and can be used to mount the AP onto a wall. This is the recommended method of installation for a wall mounting procedure.

- 1 Use the mounting bracket as a template and mark the hole centers on the wall.

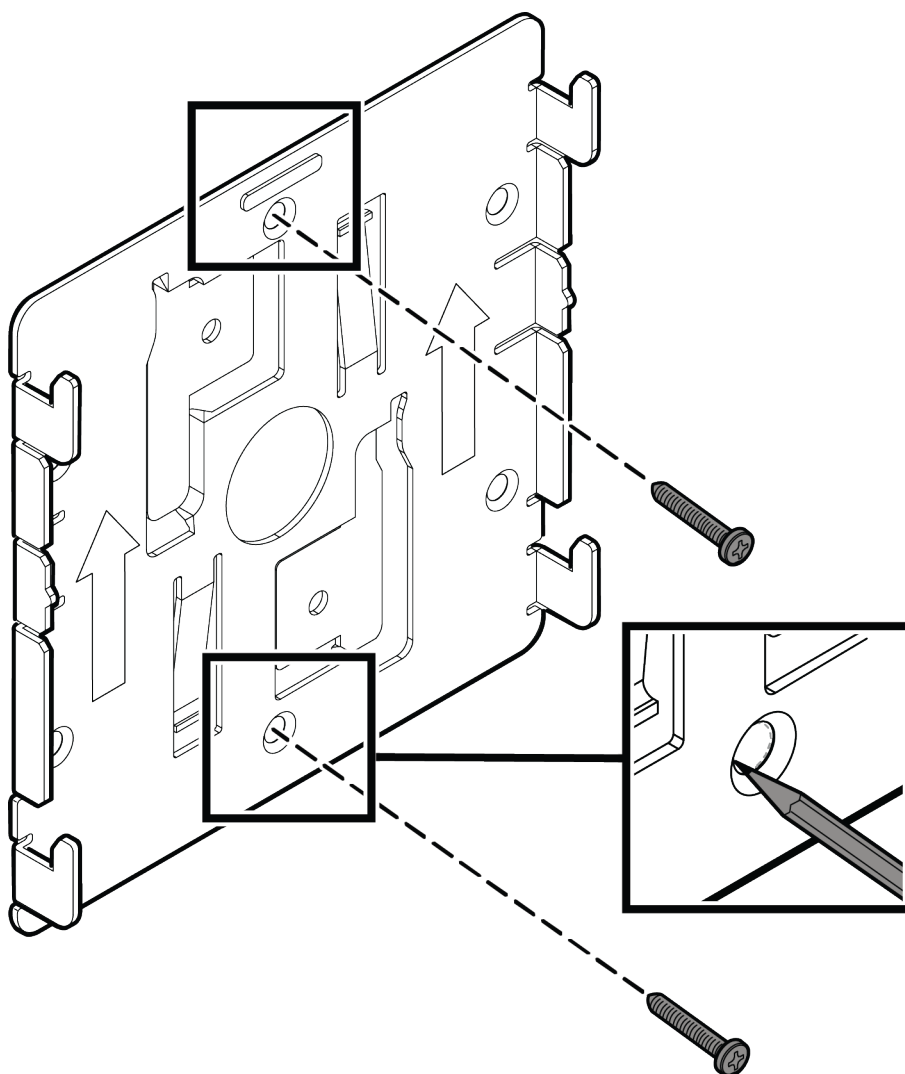


Figure 5: Main mounting bracket

- 2 Insert the screws into the holes of the mounting bracket and use the screw-in anchors if needed.
- 3 Insert the Ethernet cable's RJ45 connector into the LAN1/GE1 port.
- 4 Insert the AP onto the bracket's four feet and slide it down to lock it in place.



Note

The feet of the bracket must be pointing up.

Mounting to a Wall using an optional Wall and Box Bracket

Mounting the AP to a flat ceiling requires the WS-MBI-WALL04 (#30516) bracket, two Philips Pan-head screws, and two screw-in anchors. They must be purchased separately.

- 1 Install the WS-MBI-WALL04 bracket on a wall/ceiling with the two screws and screw-in anchors.



Note

The locking tab on the WS-MBI-WALL04 bracket must be on the top side during installation.

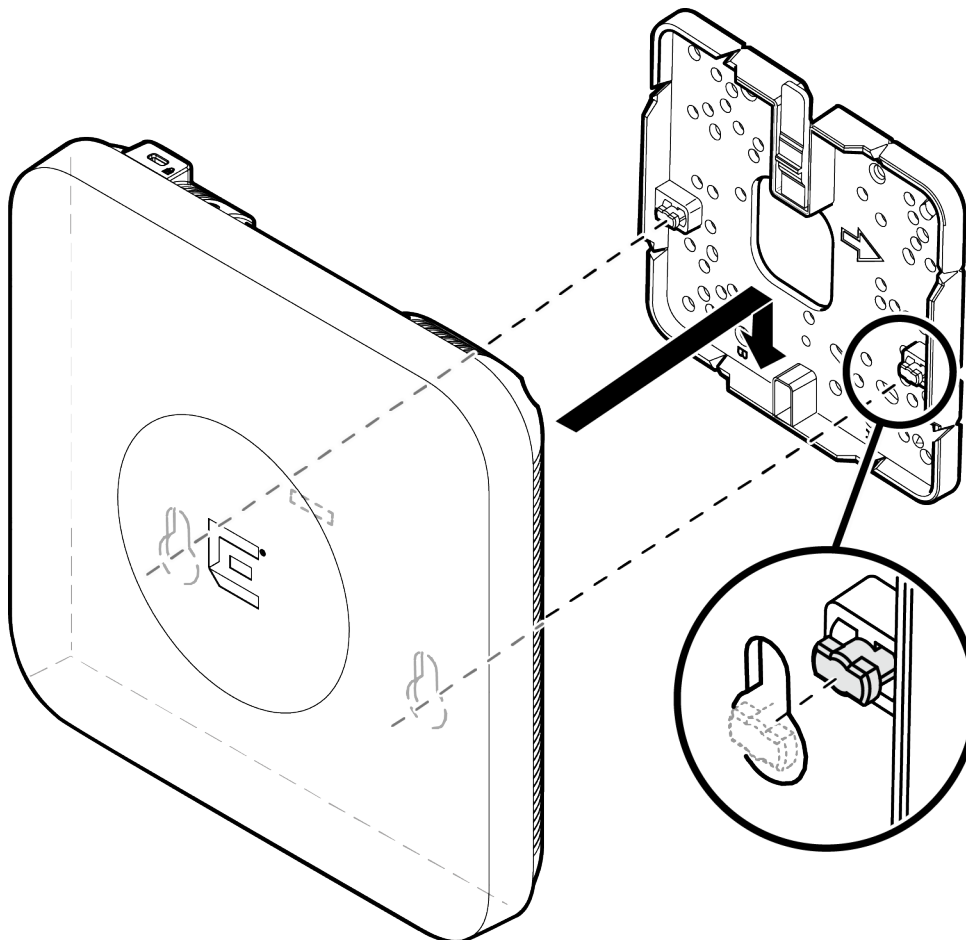


Figure 6: Mounting the AP using the WS-MBI-WALL04 Bracket

- Use the WS-MBI-WALL04 as a template and mark the holes to be used to mount the AP. It is recommended to use the holes marked "A" or "B".
- Drill the holes and attach the bracket using the screws and screw-in anchors.



Note

When using the "A" or "B" holes, if the holes are not near the corners of the bracket, you can break off the corner to decrease the bracket's visibility once the AP is installed.

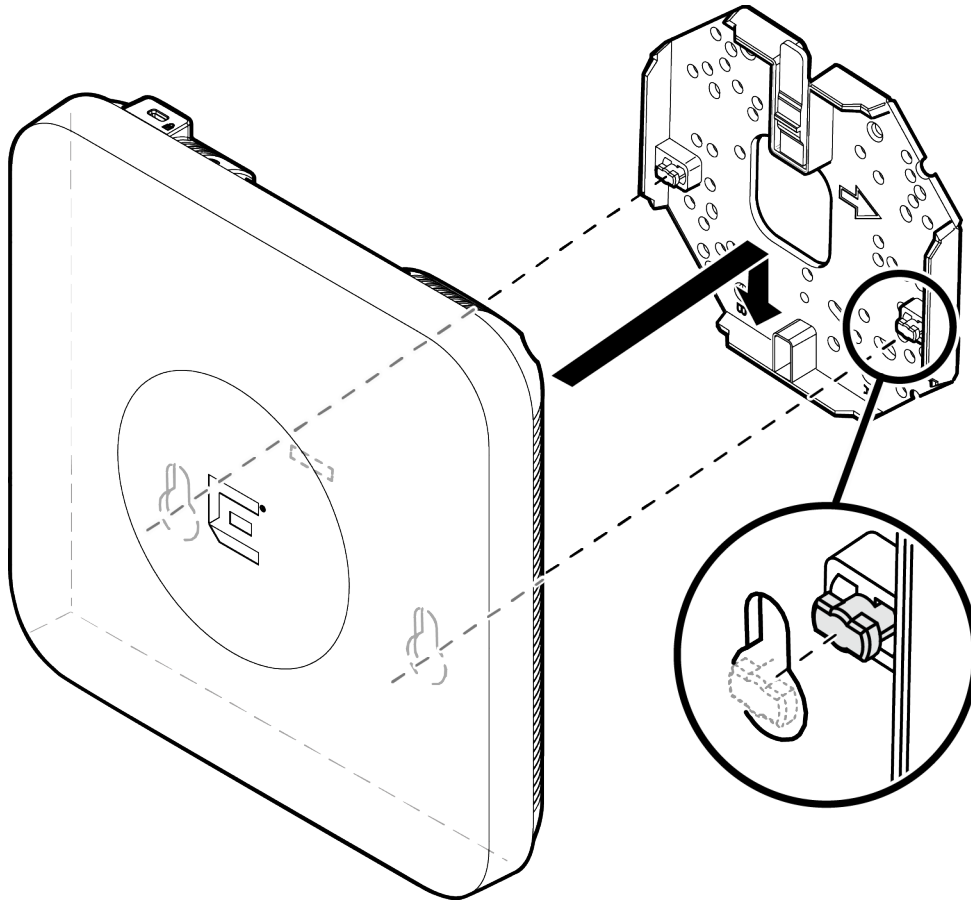


Figure 7: Mounting the AP using the WS-MBI-WALLO4 Bracket (when bracket corners are broken off)

- 2 Connect the LAN/Ethernet cable to the AP.
- 3 Insert the AP onto the keyhole posts and slide the AP.
- 4 Lock the AP into place at about 1/4 inch.

Mounting the AP onto a wall using the Main Bracket and the Flat Metal Easy-Attach Adaptor

The AP can also be mounted onto a wall or solid ceiling by attaching a flat metal easy-attach adaptor to the main mounting bracket. The flat metal easy-attach adaptor (#37210) must be purchased separately.

- 1 Attach the flat metal indoor bracket to the main bracket. Keep the bracket to the center of the main bracket, push and rotate it.

Note

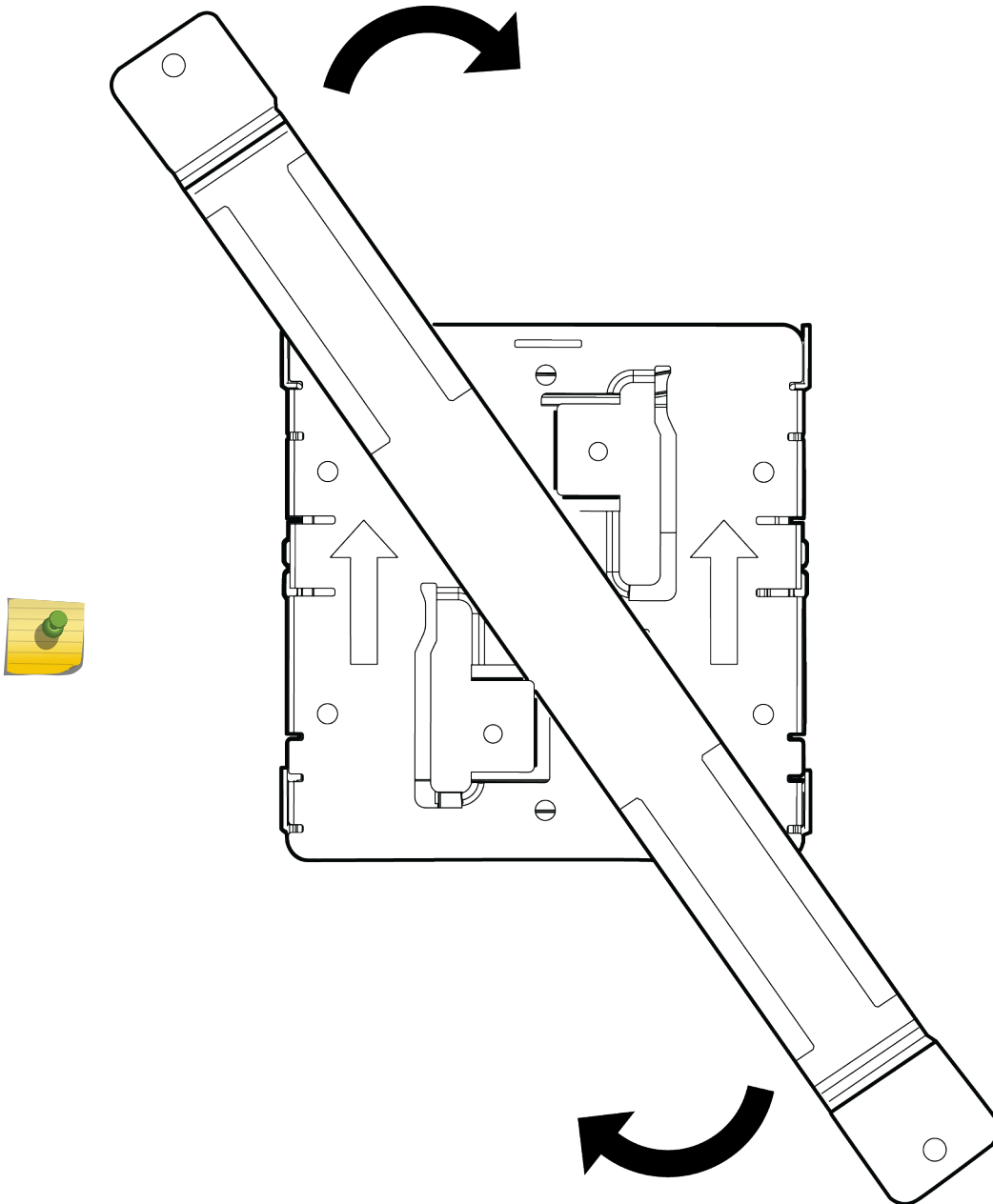


Figure 8: Attaching the optional Flat Metal Indoor Adaptor to the main mounting bracket

- 2 Hold the AP to the surface to which it needs to be attached and use the optional bracket's end holes as a template to mark the attachment holes.
- 3 Drill two holes on the wall where you want to mount the AP.
- 4 Connect the LAN/Ethernet cable to the back of the AP.

- 5 Connect the LAN/Ethernet cable to the back of the AP.

Mounting to a wall using the Philips Pan-head screws

You can mount the access point directly onto a dry/solid wall using the Philips Pan-Head screws. This is an optional installation method and not the preferred mode of installation.

- 1 Drill two holes 104 mm (4.100") apart from each other on the wall where you want to mount the AP.
- 2 Insert the screws into the holes and use the screw-in anchors if needed.



Note

Leave 1/8" gap between the screw head and the wall.

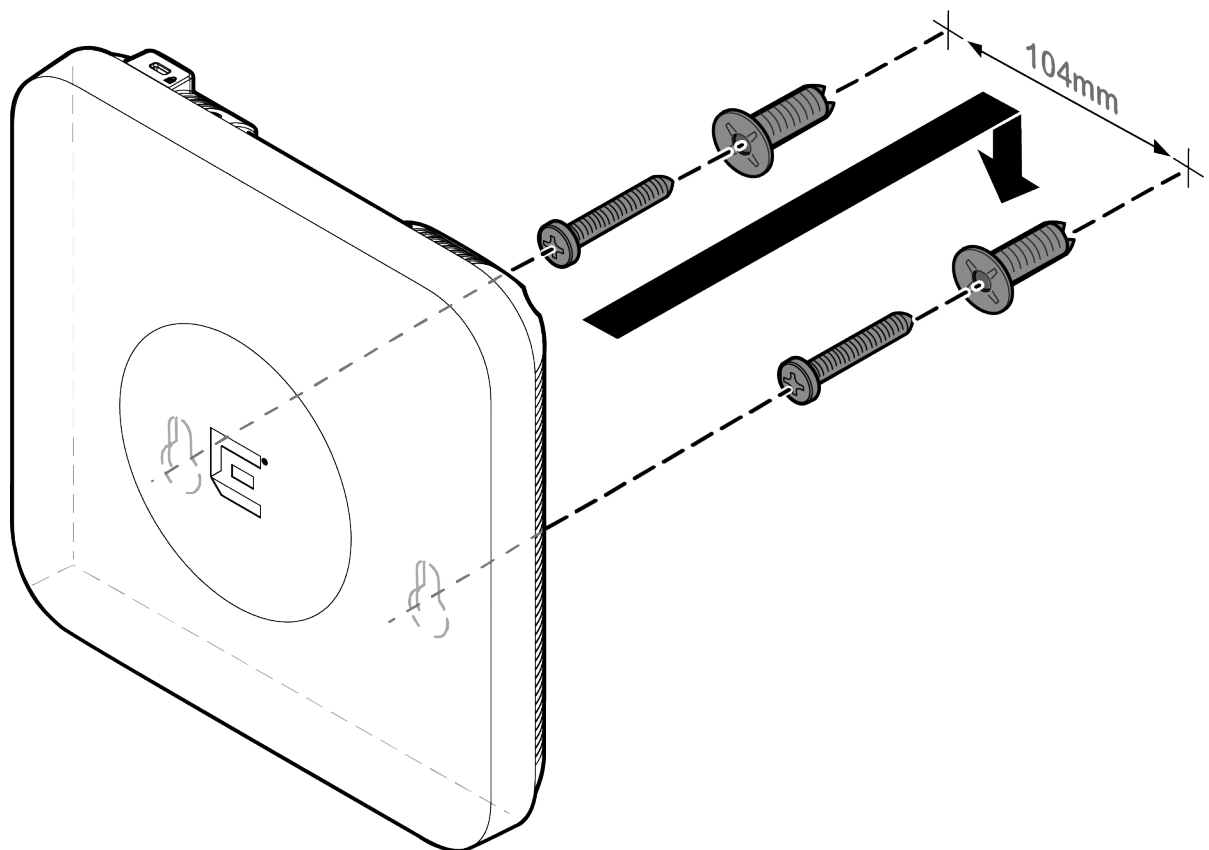


Figure 9: Mounting the AP directly on a dry/wood wall using the Philips Pan-Head screws

- 3 Insert the Ethernet cable's RJ45 connector into the LAN1 port.
- 4 Align the AP against the screw heads and slide it down. Ensure that the AP is secured in place and tightened. If the AP is loose, unmount the AP and decrease the distance between the screw head and the wall. Remount the AP.

Mounting to a Suspended/Drop Ceiling

The access point can be mounted to a suspended or drop ceiling directly using the main mounting bracket on the T-bar. If there is a ceiling tile protrusion, add the optional T-bar adaptor to the main mounting bracket prior to T-bar installation.

The AP can be mounted to a suspended/drop ceiling using:

- 1 #37201, Main Mounting Bracket to a Flat T-bar.
- 2 #37201, Main Mounting Bracket with adaptor KT-135628-01 to a Flat T-bar.
- 3 #37211, WS-MBI-DCFLUSH bracket to a Flat T-bar.
- 4 #30518, WS-MBI-DCMTR01 bracket to a Flat T-bar.

Mounting the AP using the Main Mounting Bracket to a Flat T-bar

The AP can be mounted on a t-bar using the main mounting bracket that is shipped with the unit.

- T-bar width must be 15/16" (24mm).
- T-bar bottom must be flat all the way across.
- T-bar minimum base thickness: N/A; must be structurally sound.
- T-bar maximum base thickness: 0.055".
- Ceiling Tile must be flat all the way across.

- 1 Remove the ceiling tiles, push and rotate the main mounting bracket onto the T-bar in such a way that the center angled locking tabs of the main bracket gets attached to the T-bar.

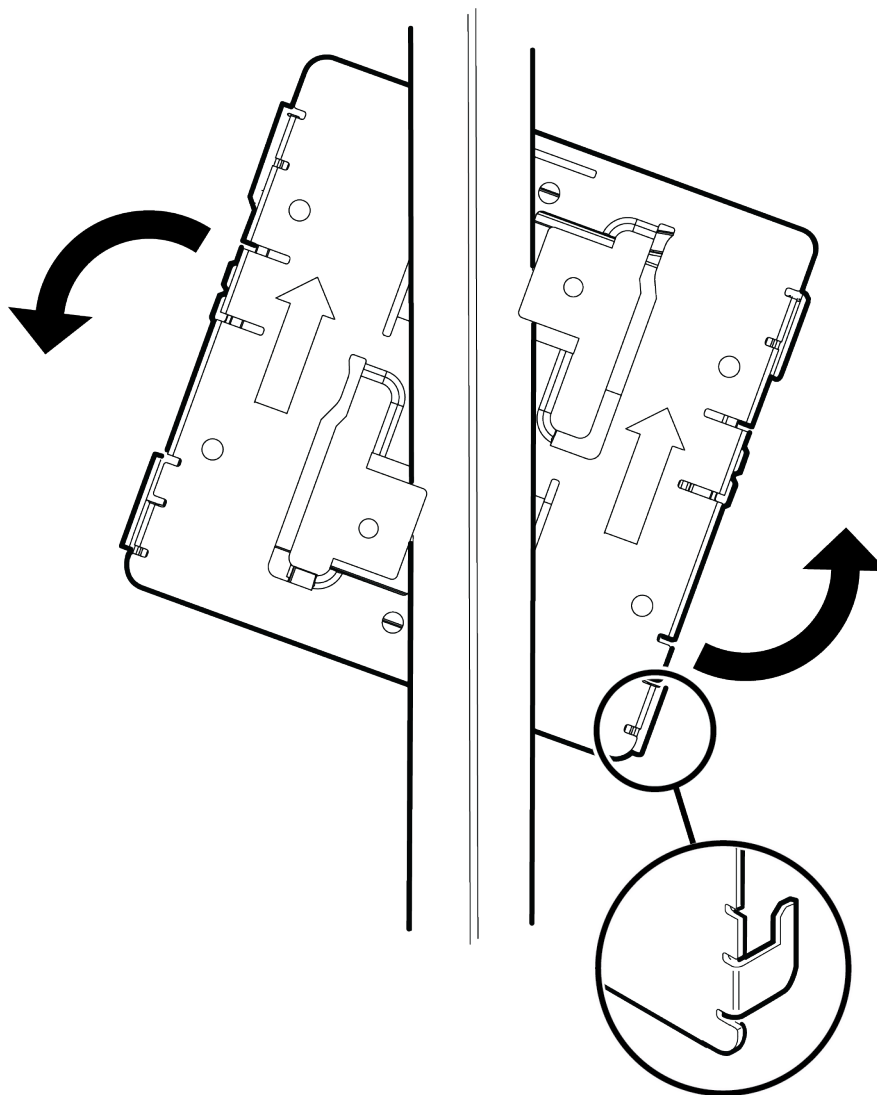


Figure 10: Attaching the main mounting bracket to a T-bar

- 2 Attach the access point to the main mounting bracket. Hold the AP and rock it back and forth to ensure it is securely mounted.
- 3 Replace the tiles.
- 4 Attach the Ethernet cable's RJ45 connector to the LAN1 port.

Mounting the AP using the Main Mounting Bracket and KT-135628-01 Adaptor to a Flat T-bar

Mounting the AP to a suspended or drop ceiling requires the optional adaptor (Universal Mounting Kit for WLAN APs; # KT-135628-01). The adaptor requires a flat t-bar and fits a ceiling tile with up to a 0.35" protrusion from the bar.

- T-bar width can be either 9/16" (15mm) or 15/16" (24mm).
 - T-bar bottom must be flat all the way across.
 - T-bar minimum base thickness: N/A; must be structurally sound.
 - T-bar maximum base thickness: 0.055". Due to manufacturing variation some adaptors may be able to accommodate up to 0.060".
 - Ceiling tile may protrude up to 0.3" below the T-bar.
- 1 Attach the T-bar adaptor by lining up the small bends on the adaptor with the long raised parts on the main bracket, pull up on the adaptor's locking pin, and twist. Make sure the locking pin goes into the locking pin hole on the main bracket and locks in place.
 - 2 Slide the T-bar holder onto the T-bar and replace the tiles to hold the adaptor onto the T-bar.
 - 3 Hold the AP and rock it back and forth to ensure that it is securely mounted.
 - 4 Attach the Ethernet cable's RJ45 connector to the LAN1 port.

Mounting the AP using the WS-MBI-DCFLUSH Bracket to a Flat T-bar

The optional WS-MBI-DCFLUSH (#37211) bracket can also be used for T-bar installations without the mounting bracket

- T-bar width must be 9/16" (15mm), 15/16" (24mm), 1.5" (38mm).
 - T-bar bottom must be flat all the way across.
 - T-bar minimum base thickness: N/A; must be structurally sound.
 - T-bar maximum base thickness is 0.080" (2mm).
 - Ceiling tile must be flat all the way across.
 - Maximum ceiling tile protrusion allowed is 0.015" (0.38mm).
- 1 Remove the ceiling panels around the drop ceiling T-bar rail.
 - 2 Open the movable sliding part of the bracket to give the stationary and slider T-bar more space.

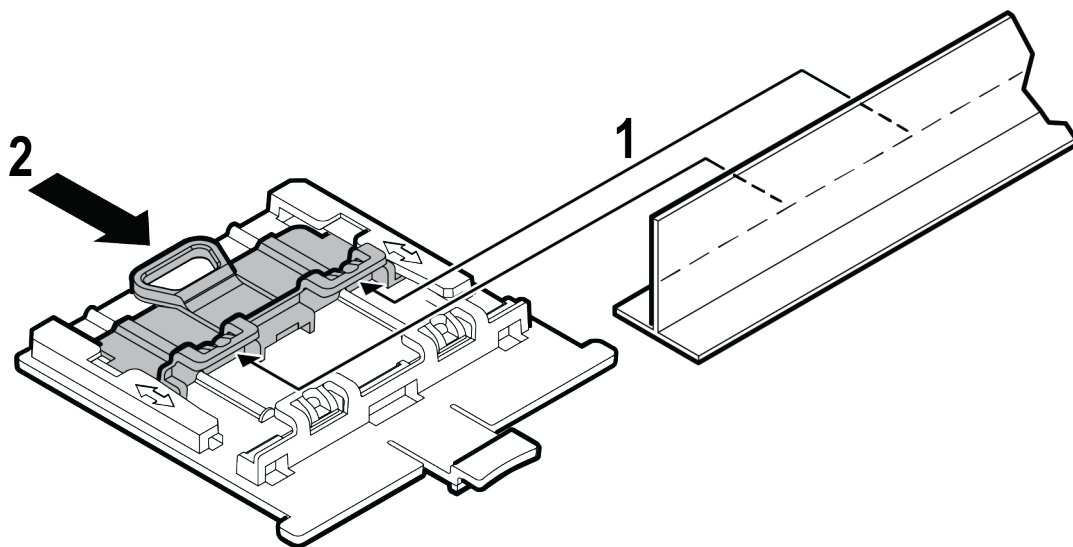


Figure 11: Installing the WS-MBI-DCFLUSH bracket

Item	Description
1	T-bar
2	Movable sliding part of the DCFLUSH bracket

- 3 Hook the stationary end of the T-bar bracket onto the T-bar.
- 4 Tilt the T-bar up slightly in such a way that you are holding the stationary and movable sides of the bracket.
- 5 Squeeze the bracket parts together until you hear the T-bar locking tab click into place.
- 6 Slide the T-bar ceiling mount bracket base into the back of the access point. The locking tab fits into a groove in the outside of the AP.

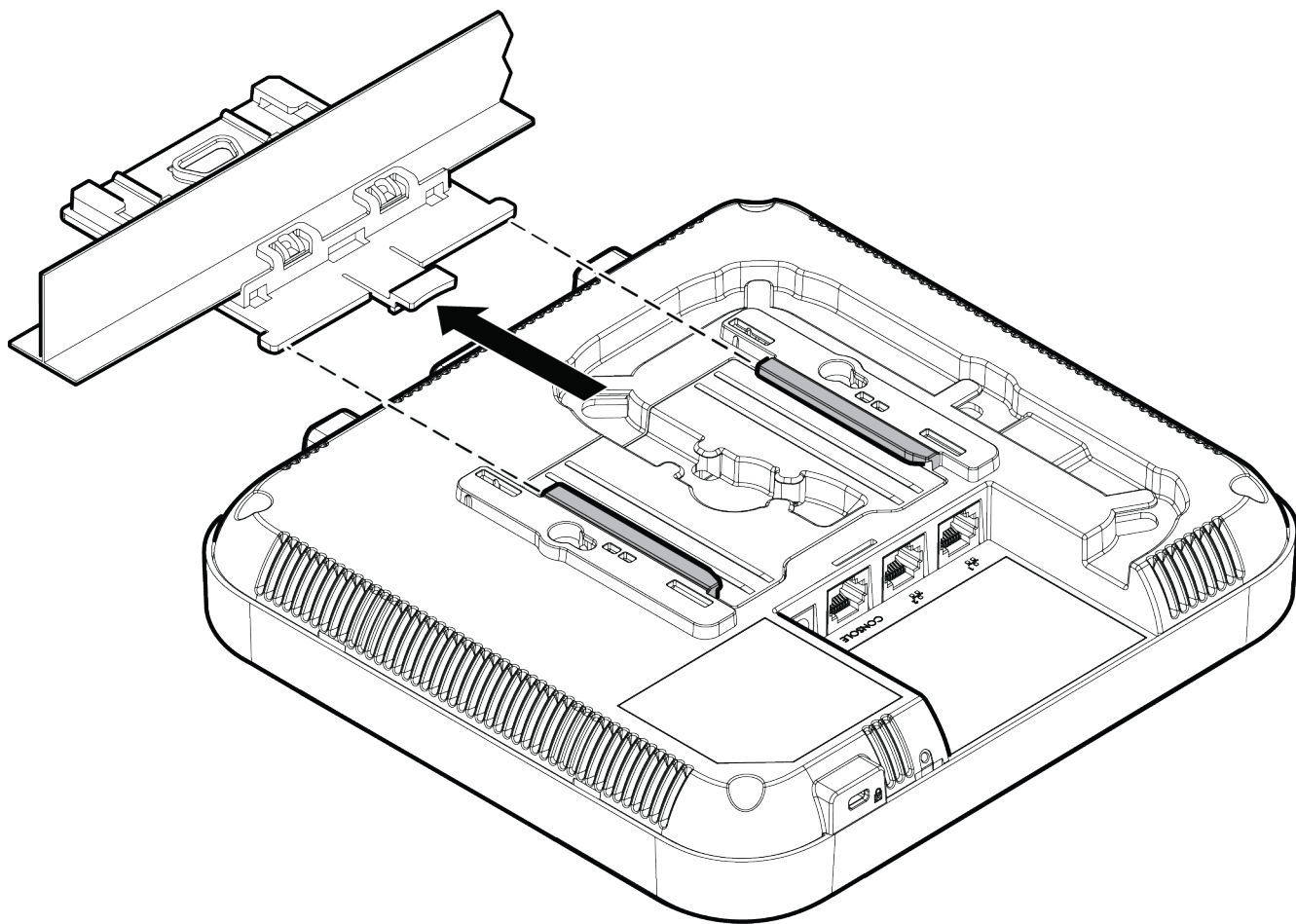


Figure 12: Attaching the AP unit onto the WS-MBI-DCFLUSH bracket

- 7 Hold the AP and rock it back and forth to ensure that it is securely mounted.
- 8 Attach the Ethernet cable's RJ45 connector to the LAN1 port and place the ceiling tile back in place.

Mounting the AP using the WS-MBI-DCMTR01 Bracket

The optional WS-MBI-DCMTR01 (#30518) bracket can also be used for T-bar installations without the mounting bracket.

- T-bar width must be 9/16" (15mm), 15/16" (24mm), 1.5" (38mm).
 - T-bar minimum base thickness: N/A; must be structurally sound.
 - T-bar maximum base thickness is 0.118" (3mm).
 - T-bar can have a maximum protrusion of 0.625" (15.8mm).
 - Maximum protrusion of the ceiling tile can be 0.625" (15.8mm). 1 Remove the ceiling panels around the drop ceiling T-bar rail.
- 1 Remove the ceiling panels around the drop ceiling T-bar rail.
 - 2 Open the movable sliding part of the bracket to give the stationary and slider T-bar more space.

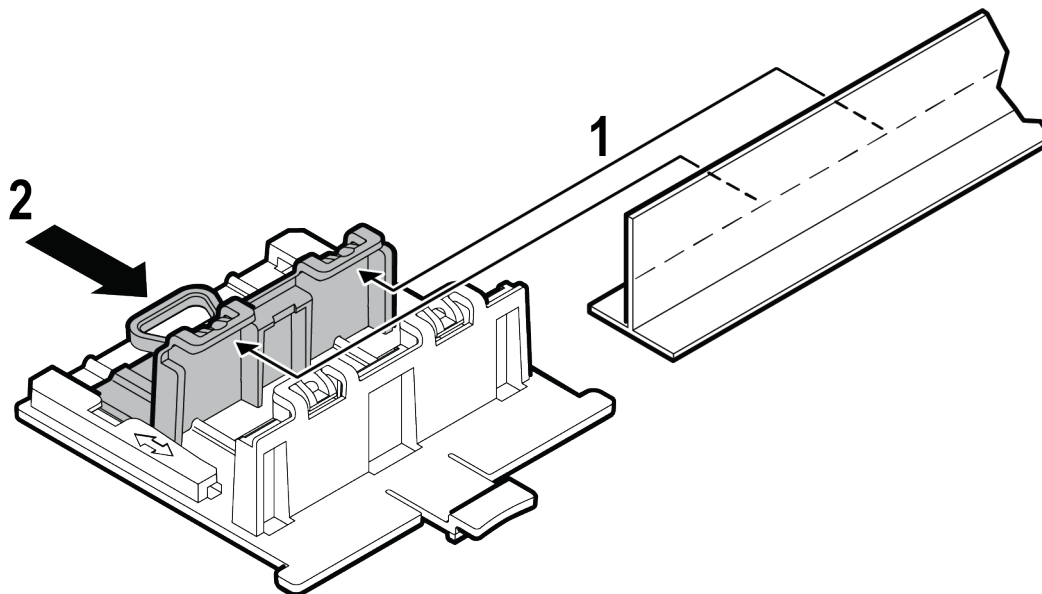


Figure 13: Installing the WS-MBI-DCMTR01 bracket to a T-bar

Item	Description
1	T-bar
2	Movable sliding part of the DCMTR01 bracket

- 3 Hook the stationary end of the T-bar bracket onto the T-bar.
- 4 Tilt the T-bar up slightly in such a way that you are holding the stationary and movable sides of the bracket.
- 5 Squeeze the bracket parts together until you hear the T-bar locking tab click into place.

- 6 Slide the T-bar ceiling mount bracket base into the back of the access point. The locking tab fits into a groove in the outside of the AP.

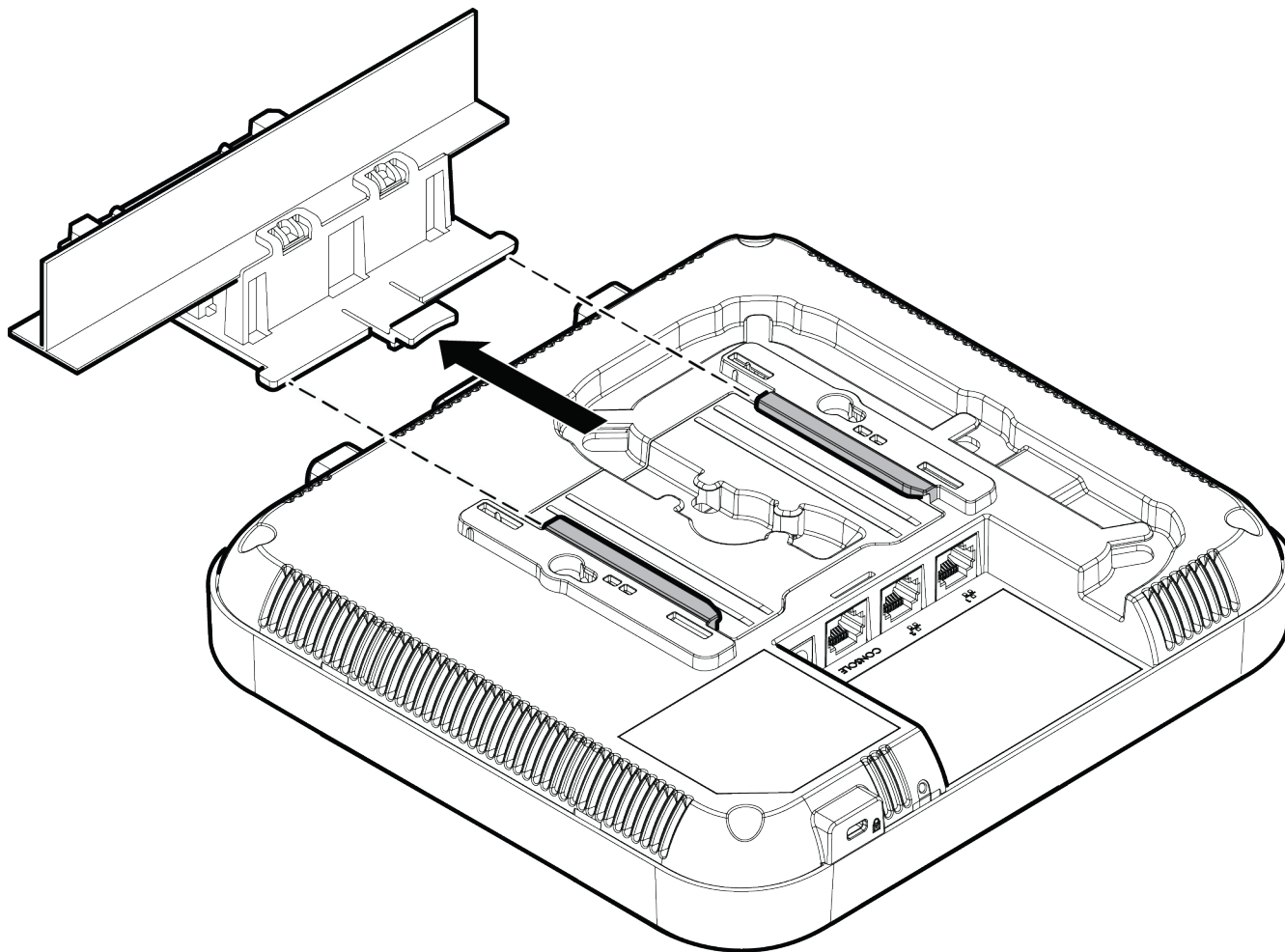


Figure 14: Attaching the AP unit onto the WS-MBI-DCMTR01 bracket

- 7 Hold the AP and rock it back and forth to ensure that it is securely mounted.
- 8 Attach the Ethernet cable's RJ45 connector to the LAN1 port and place the ceiling tile back in place.

Mounting to a Junction/Gang box

You can mount the access point to a junction/gang box using the #37201 main mounting bracket that comes with the unit or a WS-MBI-WALL04 bracket, which must be purchased separately.



Note

The Junction/Gang box models are limited to USA box models when using the #37201 main mounting bracket.

- 1 Remove the screws holding the junction/gang box coverplate and remove the LAN cable from the coverplate if necessary.

- 2 Line up the bracket holes on the junction/gang box and ensure that they align. If the holes do not align, then use the WS-MBI-WALL04 bracket.

**Note**

When you line up the holes, the locking tab on the WALL04 bracket must be pointing down and the junction/gang box must be fully covered by the bracket. The bracket must be square to the rest of the room walls and the two holes that are being used must be on the opposite side of large center hole on the bracket.

**Note**

If the holes that you need to use are not near the corners of the WALL04 bracket, break off the corner to decrease bracket's visibility once the AP is installed.

- 3 Using the holes aligned together or the new ones drilled, attach the bracket to the junction/gang box using the screws removed from the junction box earlier. Do not over tighten.

**Caution**

Over tightening the screws will cause the bracket to bend. If the bracket bends, you will not be able to align and slide the AP onto the keyhole posts.

- 4 Connect the LAN/Ethernet cable to the AP.
- 5 Align the keyhole slots and posts and slide the AP onto the bracket until you hear it lock in place.

Mounting the AP to a Beam

The access point can be mounted onto a beam using a beam clip accessory (BRKT-000147A-01) to the main mounting bracket.

- The beam must be able to support the AP in all environmental conditions.
- The beam should be flat.

Before attaching the AP onto a beam, verify that:

- Beam attachment area is at least 0.5" (12.7mm) wide and as long as the AP's largest dimension.
- Beam mounting surface is less than 0.650" (16.5mm) thick.

To attach an AP to a beam, attach a beam clip (Accessory BRKT-000147A-01) to the main mounting bracket:

- 1 Attach the adapter to the mounting bracket by using a twisting motion.
- 2 Attach the mounting bracket to the AP.
- 3 Place the adapter on a beam in such a way that there is enough space between the screw and clamp to be tightened.
- 4 Use the screw and clamp on the top of the adapter to secure the AP in place on the beam.
- 5 Insert the Ethernet plug into the AP.

3 Specifications

This section lists the specifications for the ExtremeMobility™ Indoor Access Point AP510i.

AP510i Specifications

Part Number: AP510i-FCC	Cloud-ready, Dual 5GHz, Dual Band, Sensor radio, Dual Radio 802.11ax/ac/abgn, 4x4:4 MIMO Indoor 11ax access point. Internal Antenna. Domain: US, Peurto Rico, and Columbia
Part Number: AP510i-WR	Cloud-ready, Dual 5GHz, Dual Band, Sensor radio, Dual Radio 802.11ax/ac/abgn, 4x4:4 MIMO Indoor 11ax access point. Internal Antenna. Domain: EMEA and Rest of World
Dimensions	9" x 9" x 1.89" (229mm x 229mm x 48.15 mm)
Weight	3.40 lbs
Enclosure Material	Plastic only

Table 9: Environmental Specifications

Operating Temperature	0°C to +40°C (+32°F to +104°F) @ 6000 ft 0°C to +45°C (+32°F to +113°F) @ Sea Level
Storage and Transportation Temperature	-40°C to +70°C (-40°F to 158°F)
Humidity	0% to 95% (non-condensing)

Table 10: Other Specifications

ExtremeCloud™ enabled	Yes
-----------------------	-----

4 Antenna Information

Internal Antenna access point

The AP510i is an indoor access point with eight WiFi internal antennas and one BLE internal antenna.

Table 11: AP510i Internal Antenna

Access point model	Application	Description	Gain (dBi)	Frequency (GHz)	Connector
AP510i	Indoor	MIMO	4 dBi	2.4 GHz	None
			6 dBi	5 GHz	None

Antenna Patterns - 2.4 GHz

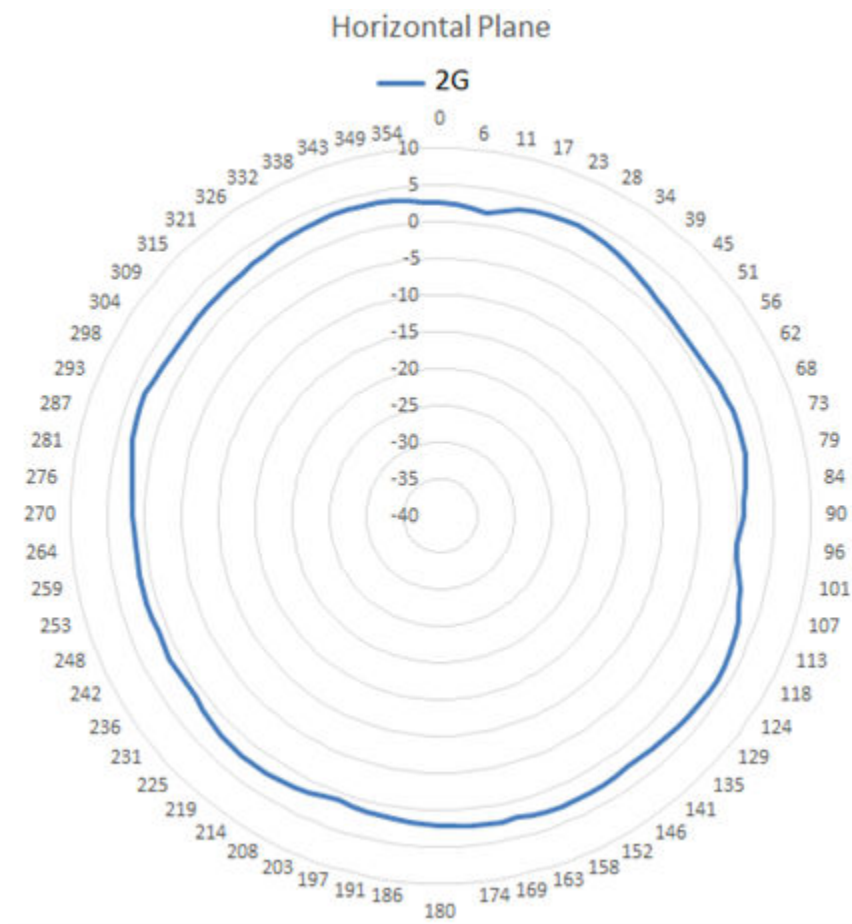


Figure 15: Horizontal Radiation Pattern 2.4 GHz

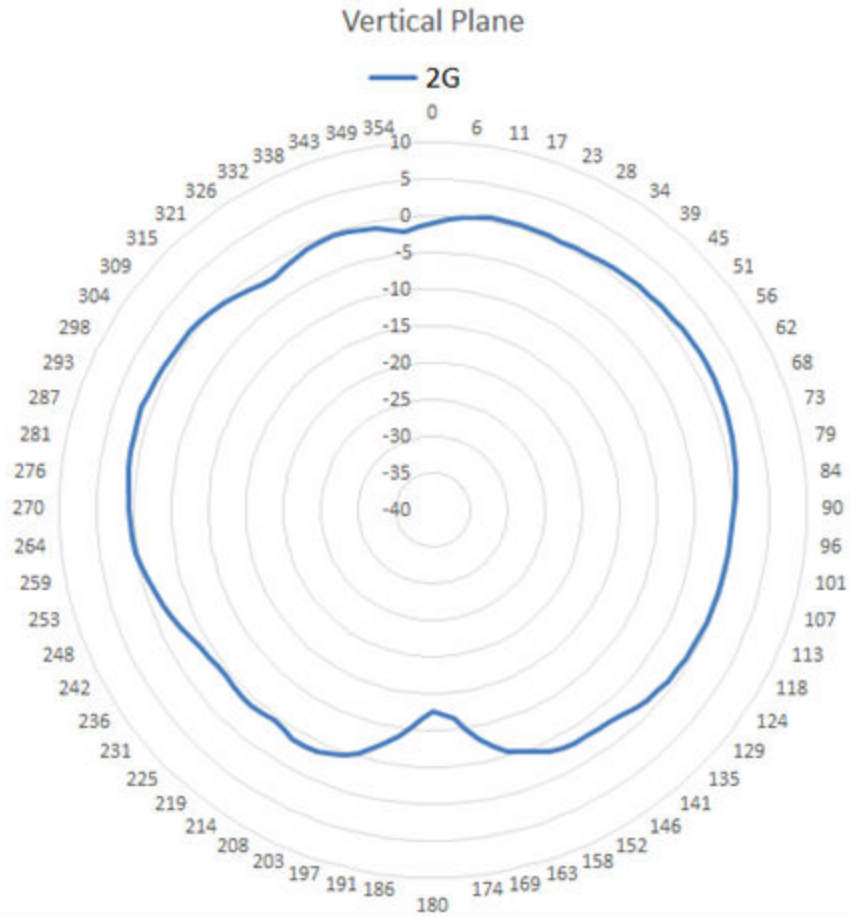


Figure 16: Vertical Radiation Pattern 2.4 GHz

Antenna Patterns - 5 GHz

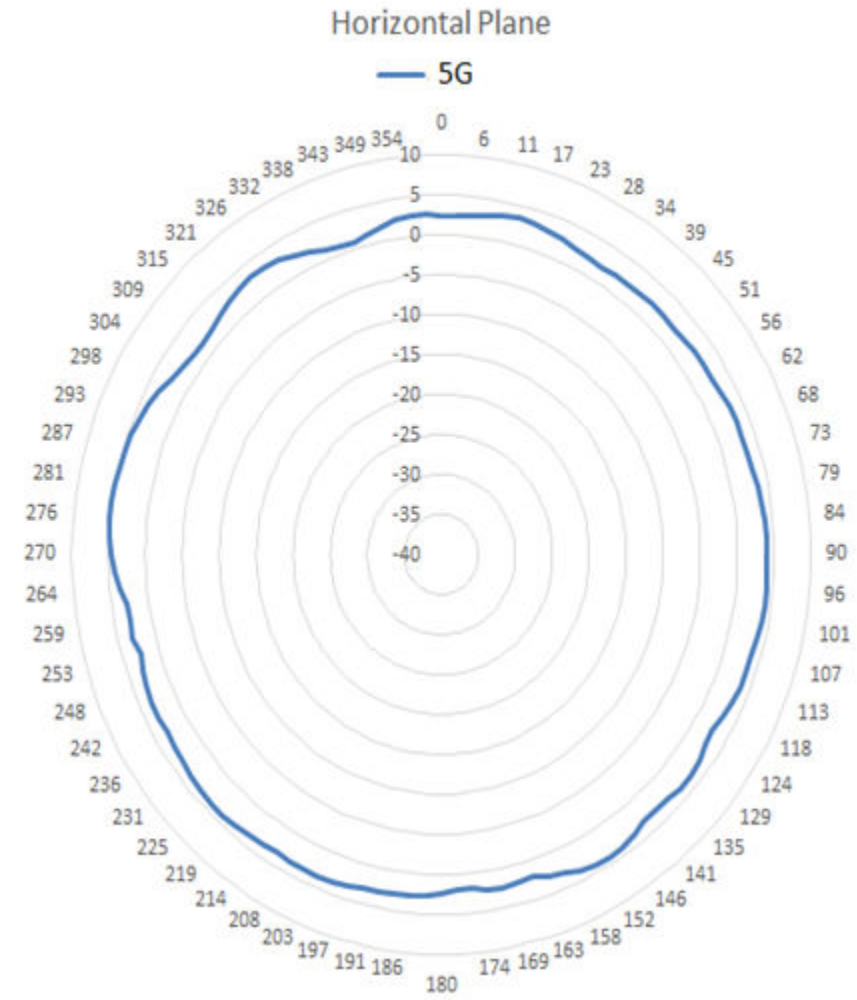


Figure 17: Horizontal Radiation Pattern 5GHz - Radio 1

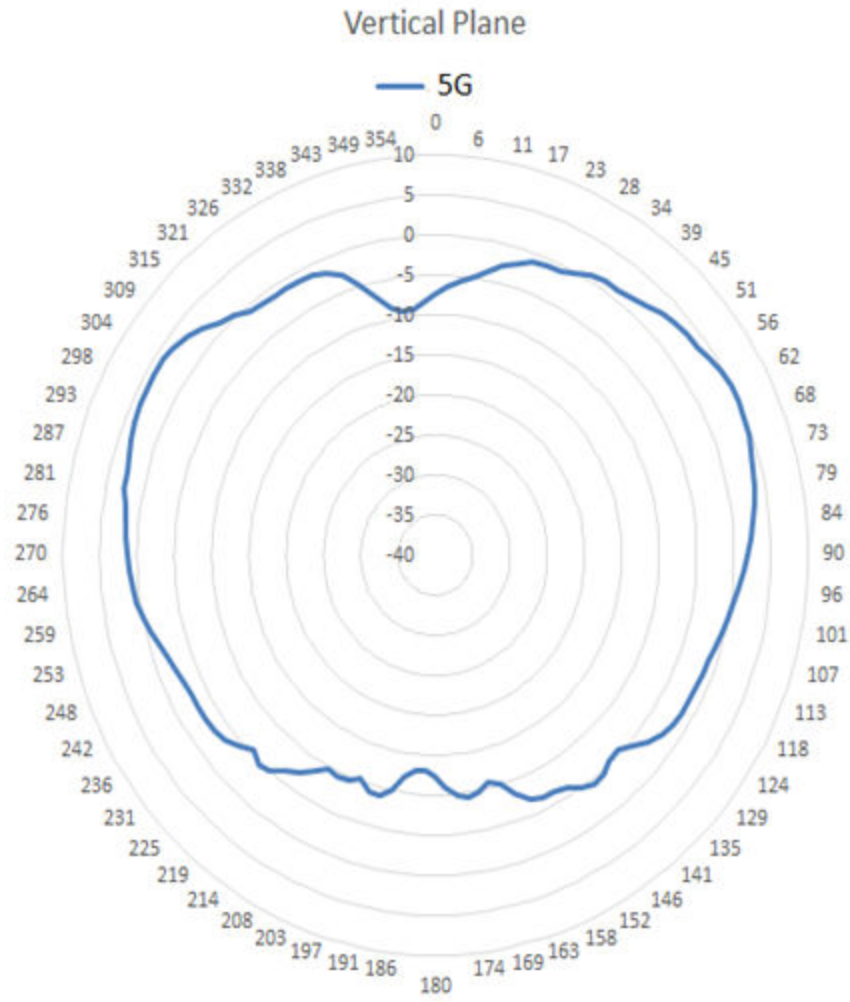


Figure 18: Vertical Radiation Pattern 5GHz - Radio 1



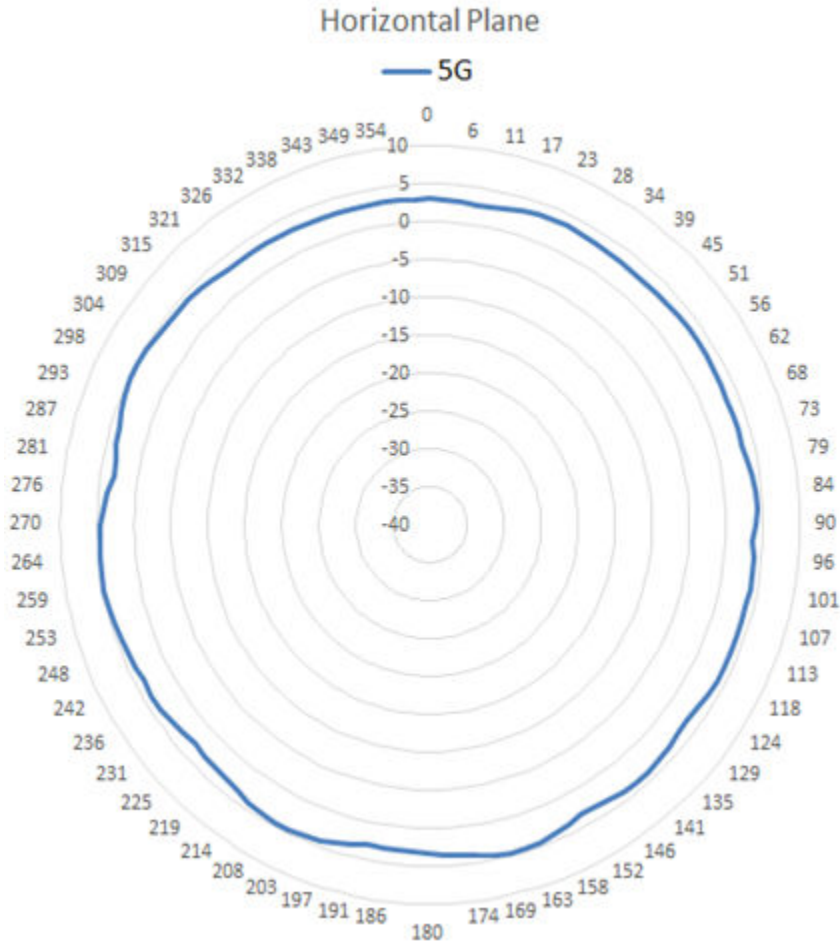


Figure 19: Horizontal Radiation Pattern 5 GHz - Radio 2

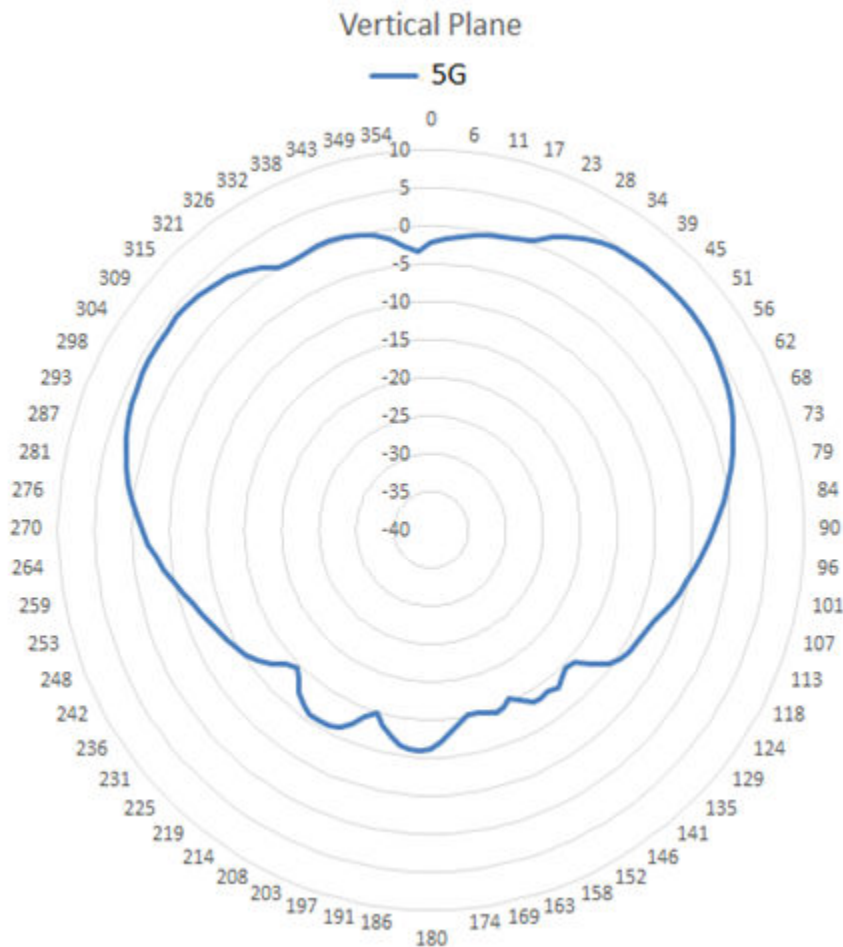


Figure 20: Vertical Radiation Pattern 5GHz - Radio 2

Table 12: Maximum Antenna Gain for Integrated Antenna

Software Mode	Radio 1	Radio 2	IoT Radio
Mode 1	4dBi; 2.4GHz	6dBi; 5GHz	5dBi
Mode 2	4dBi; 2.4GHz	6dBi; 5GHz	5dBi
	5dBi; 5 GHz		
Mode 3	4dBi; 5GHz	6dBi; 5GHz	5dBi

5 Regulatory Information

Safety Guidelines

Federal Communications Commission (FCC) Notice

Industry Canada Notice

Brazil Anatel

Hazardous Substances

Supplement to Product Instructions

NCC Statement

CE Information

European Waste Electrical and Electronic Equipment (WEEE) Notice

Declaration of Conformity in Languages of the European Community

Safety Guidelines

This section contains notices that are intended to protect your personal safety and prevent damage to the equipment.



Attention

Only qualified personnel should perform installation procedures. Within the context of the safety notes in this documentation, qualified persons are defined as persons who are authorized to commission, ground and label devices, systems, and circuits in accordance with established safety practices and standards. A qualified person understands the requirements and risks involved with installing outdoor electrical equipment in accordance with national codes.

Federal Communications Commission (FCC) Notice

This equipment has been tested and found to comply with the limits for a Class B digital device, pursuant to Part 15 of the FCC Rules. These limits are designed to provide reasonable protection against harmful interference in a residential installation. This equipment generates, uses and can radiate radio frequency energy and, if not installed and used in accordance with the instructions, may cause harmful interference to radio communications. However, there is no guarantee that interference will not occur in a particular installation. If this equipment does cause harmful interference to radio or television reception, which can be determined by turning the equipment off and on, the user is encouraged to try to correct the interference by one of the following measures:

- Reorient or relocate the receiving antenna.
- Increase the separation between the equipment and receiver.

- Connect the equipment into an outlet on a circuit different from that to which the receiver is connected.
- Consult the dealer or an experienced radio/TV technician for help.

**Caution**

Any changes or modifications not expressly approved by the party responsible for compliance could void the user's authority to operate this equipment.

This device complies with Part 15 of the FCC Rules. Operation is subject to the following two conditions: (1) This device may not cause harmful interference, and (2) this device must accept any interference received, including interference that may cause undesired operation.

This transmitter must not be co-located or operating in conjunction with any other antenna or transmitter.

Operations in the 5.15-5.25GHz band are restricted to indoor usage only.

**Warning**

FCC Radiation Exposure Statement: This equipment complies with FCC radiation exposure limits set forth for an uncontrolled environment. This equipment should be installed and operated with minimum distance 26cm between the radiator & your body.

Industry Canada Notice

This device complies with ISED's licence-exempt RSSs. Operation is subject to the following two conditions: (1) This device may not cause harmful interference, and (2) this device must accept any interference received, including interference that may cause undesired operation.

Le présent appareil est conforme aux CNR d'ISED applicables aux appareils radio exempts de licence. L'exploitation est autorisée aux deux conditions suivantes : (1) le dispositif ne doit pas produire de brouillage préjudiciable, et (2) ce dispositif doit accepter tout brouillage reçu, y compris un brouillage susceptible de provoquer un fonctionnement indésirable.

**Caution**

The device for operation in the band 5150-5250 MHz is only for indoor use to reduce the potential for harmful interference to co-channel mobile satellite systems.

**Caution**

Avertissement: les dispositifs fonctionnant dans la bande 5150-5250 MHz sont réservés uniquement pour une utilisation à l'intérieur afin de réduire les risques de brouillage préjudiciable aux systèmes de satellites mobiles utilisant les mêmes canaux.

**Warning**

IC Radiation Exposure Statement: This equipment complies with ISED radiation exposure limits set forth for an uncontrolled environment. This equipment should be installed and operated with minimum distance 26cm between the radiator & your body.



Warning

Déclaration d'exposition aux radiations: Cet équipement est conforme aux limites d'exposition aux rayonnements ISED établies pour un environnement non contrôlé. Cet équipement doit être installé et utilisé avec un minimum de 26cm de distance entre la source de rayonnement et votre corps.

Brazil Anatel

Este produto está homologado pela ANATEL, de acordo com os procedimentos regulamentados pela Resolução nº. 242/2000 e atende aos requisitos técnicos aplicados.

Este equipamento não tem direito à proteção contra interferência prejudicial e não pode causar interferência em sistemas devidamente autorizados. Para maiores informações, consulte o site da ANATEL – www.anatel.gov.br

Hazardous Substances

This product complies with the requirements of Directive 2011/65/EU of the European Parliament and of the Council of 8 June 2011 on the restriction of the use of certain hazardous substances in electrical and electronic equipment.

Supplement to Product Instructions

單元 Unit	限用物質及其化學符號 Restricted substances and its chemical symbols					
	鉛Lead (Pb)	汞Mercury (Hg)	鎘Cadmium (Cd)	六價鉻 Hexavalent chromium (Cr ⁺⁶)	多溴聯苯 Polybrominated biphenyls (PBB)	多溴二苯醚 Polybrominated diphenyl ethers (PBDE)
金屬零件 (Metal Parts)	○	○	○	○	○	○
電路模組 (Circuit Modules)	—	○	○	○	○	○
電纜及電纜組件 (Cables & Cable Assemblies)	○	○	○	○	○	○
塑料和聚合物零件 (Plastic and Polymeric parts)	○	○	○	○	○	○
<p>備考1. “超出0.1 wt %” 及 “超出0.01 wt %” 係指限用物質之百分比含量超出百分比含量基準值。 Note 1 : “Exceeding 0.1 wt %” and “exceeding 0.01 wt %” indicate that the percentage content of the restricted substance exceeds the reference percentage value of presence condition.</p> <p>備考2. “○” 係指該項限用物質之百分比含量未超出百分比含量基準值。 Note 2 : “○” indicates that the percentage content of the restricted substance does not exceed the percentage of reference value of presence.</p> <p>備考3. “—” 係指該項限用物質為排除項目。 Note 3 : The “—” indicates that the restricted substance corresponds to the exemption.</p>						

NCC Statement

NCC Statement

低功率電波輻射性電機管理辦法

第十二條 經型式認證合格之低功率射頻電機，非經許可，公司、商號或使用者均不得擅自變更頻率、加大功率或變更原設計之特性及功能。

第十四條 低功率射頻電機之使用不得影響飛航安全及干擾合法通信；經發現有干擾現象時，應立即停用，並改善至無干擾時方得繼續使用。前項合法通信，指依電信法規定作業之無線電通信。

低功率射頻電機須忍受合法通信或工業、科學及醫療用電波輻射性電機設備之干擾。

電磁波曝露量MPE標準值 $1\text{mW}/\text{cm}^2$ ，送測產品實測值為 $0.963\text{mW}/\text{cm}^2$

1. 使用此產品時應避免影響附近雷達系統之操作。

CE Information

CE Information

The device is restricted to indoor use only when operating in the 5150 to 5350 MHz frequency range.

	AT	BE	BG	HR	CY	CZ	DK
	EE	FI	FR	DE	EL	HU	IE
	IT	LV	LT	LU	MT	NL	PL
	PT	RO	SK	SI	ES	SE	UK

All Operational Modes

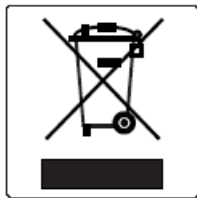
2.4GHz: 802.11b, 802.11g, 802.11n (HT20), 802.11n (HT40), 802.11ax (HEW20), 802.11ax (HEW40), 802.15.4 (Thread), Bluetooth (LE)

5GHz: 802.11a, 802.11n (HT20), 802.11n (HT40), 802.11ac (VHT20), 802.11ac (VHT40), 802.11ac (VHT80), 802.11ac (VHT160), 802.11ax (HEW20), 802.11ax (HEW40), 802.11ax (HEW80), 802.11ax (HEW160)

The frequency and the maximum transmitted power in EU are listed below:

- 2412-2472MHz: 19.98 dBm
- 2402-2480MHz (LE): 6.23 dBm
- 5180-5240MHz: 22.98 dBm
- 5260-5320MHz: 22.98 dBm
- 5500-5700MHz: 29.98 dBm
- 2405-2480MHz: 6.48 dBm

European Waste Electrical and Electronic Equipment (WEEE) Notice



In accordance with Directive 2012/19/EU of the European Parliament on waste electrical and electronic equipment (WEEE):

- 1 The symbol above indicates that separate collection of electrical and electronic equipment is required.
- 2 When this product has reached the end of its serviceable life, it cannot be disposed of as unsorted municipal waste. It must be collected and treated separately.
- 3 It has been determined by the European Parliament that there are potential negative effects on the environment and human health as a result of the presence of hazardous substances in electrical and electronic equipment.
- 4 It is the users' responsibility to utilize the available collection system to ensure WEEE is properly treated.

For information about the available collection system, please contact Extreme Environmental Compliance at Green@extremenetworks.com.

Declaration of Conformity in Languages of the European Community

English	Hereby, Extreme Networks, declares that the radio equipment type (AP510i) is in compliance with Directive 2014/53/EU. For full text of the EU Declaration of Conformity, please contact Extreme Regulatory Compliance at compliancerequest@extremenetworks.com
Finnish	Valmistaja Extreme Networks vakuuttaa täten että Radio LAN device (AP510i) tyyppinen laite on direktiivin 2014/53/EU oleellisten vaatimusten ja sitä koskevien direktiivin muiden ehtojen mukainen.
Dutch	Hierbij verklaart Extreme Networks dat het toestel Radio LAN device (AP510i) in overeenstemming is met de essentiële eisen en de andere relevante bepalingen van richtlijn 2014/53/EU.
French	Par la présente Extreme Networks déclare que l'appareil Radio LAN device (AP510i) est conforme aux exigences essentielles et aux autres dispositions pertinentes de la directive 2014/53/EU.

Swedish	Härmed intygar Extreme Networks överensstämmelse med de väsentliga egenskapskrav och övriga relevanta bestämmelser som framgår av direktiv 2014/53/ EU.
Danish	Undertegnede Extreme Networks erklærer herved, at følgende udstyr Radio LAN device (AP510i) overholder de væsentlige krav og øvrige relevante krav i direktiv 2014/53/EU.
German	Hiermit erklärt Extreme Networks die Übereinstimmung des "WLAN Wireless Controller bzw. Access Points" (AP510i) mit den grundlegenden Anforderungen und den anderen relevanten Festlegungen der Richtlinie 2014/53/EU.
Greek	ΜΕ ΤΗΝ ΠΑΡΟΥΣΑ Extreme Networks ΔΗΛΩΝΕΙ ΟΤΙ Radio LAN device (AP510i) ΣΥΜΜΟΡΦΩΝΕΤΑΙ ΠΡΟΣ ΤΙΣ ΟΥΣΙΩΔΕΙΣ ΑΠΑΙΤΗΣΕΙΣ ΚΑΙ ΤΙΣ ΛΟΙΠΕΣ ΣΧΕΤΙΚΕΣ ΔΙΑΤΑΞΕΙΣ ΤΗΣ ΟΔΗΓΙΑΣ 2014/53/EU.
Icelandic	Extreme Networks lýsir her með yfir að thessi bunadur, Radio LAN device (AP510i), uppfyllir allar grunnkröfur, sem gerdar eru í R&TTE tilskipun ESB nr 2014/53/EU.
Italian	Con la presente Extreme Networks dichiara che questo Radio LAN device (AP510i) è conforme ai requisiti essenziali ed alle altre disposizioni pertinenti stabilite dalla direttiva 2014/53/EU.
Spanish	Por medio de la presente Extreme Networks declara que el Radio LAN device (AP510i) cumple con los requisitos esenciales y cualesquiera otras disposiciones aplicables o exigibles de la Directiva 2014/53/EU.
Portuguese	Extreme Networks declara que este Radio LAN device (AP510i) está conforme com os requisitos essenciais e outras disposições da Directiva 2014/53/EU.
Malti	Hawnhekk, Extreme Networks, jiddikjara li dan Radio LAN device (AP510i) jikkonforma mal-htigijiet essenzjali u ma provvedimenti oħrajn relevanti li hemm fid-Dirrettiva 2014/53/EU.

Index

A

AP510i, Antenna Pattern, Antenna Usage, Antenna Information 28, 30
AP510i, AP510i Specifications, Specs, AP510i Specs, Physical Specifications 27
AP510i, Features, Feature List 6
AP510i, LEDs, LED Status, AP510i LED 8
AP510i, Powering Methods, AP510e Power Connections, Power Supply 9
AP510i, Suspended Ceiling Installation, Drop Ceiling Installation, AP510i Installation Procedure, Ceiling Mount 20
AP510i, Wall Mount, Wall Mounting, Wall Mount Instructions, Dry Wall, Wood Wall, Solid Flat Ceiling 14

B

Brazil Anatel, Regulatory Information 36

C

CE Information, Regulatory 37

D

Declaration of Conformity, Regulatory Information 38
documentation
 feedback 4
 location 5

F

FCC Notice, Regulatory Information 34

I

Industry Canada Notice, Regulatory Information 35
Installation Process, Installation, AP510i, How-to-Install AP510i 11

M

Mounting the AP, Mounting Options, Connecting the AP 11
Mounting, Mounting Brackets, Accessories, AP510i Brackets, AP510i Accessories, Mounting Brackets Usage, Accessories Usage 12

N

NCC Statement 37

O

Open Source Declaration 5

R

Regulatory Information 36
Regulatory Information, Hazardous Substances 36

S

safety guidelines 34
support, see technical support

T

technical support
 contacting 4, 5