

# Owner's Manual

## Charging Station Carts

Models: **CSC21AC (21 Slots)**, **CSC27AC (27 Slots)**

### Table of Contents

<b>1. Important Safety Instructions</b>	<b>2</b>
<b>2. Overview</b>	<b>2</b>
<b>3. Feature Identification</b>	<b>3</b>
<b>4. Storage Shelf Configuration</b>	<b>5</b>
<b>5. Setup</b>	<b>6</b>
5.1 Power Requirements	6
5.2 Installing the Handle Bracket, Corner Safety Bumpers and Power Cord Manager	6
5.3 Connecting Devices and Powering the AC Unit	7
5.4 Door Locks	7
<b>6. Specifications</b>	<b>8</b>
<b>7. Storage, Service and Cleaning</b>	<b>8</b>
<b>8. Warranty and Product Registration</b>	<b>8</b>
<b>Español</b>	<b>9</b>
<b>Français</b>	<b>17</b>

### PROTECT YOUR INVESTMENT!

Register your product for quicker service and ultimate peace of mind.

You could also win an ISOBAR6ULTRA surge protector—a \$100 value!

[www.tripplite.com/warranty](http://www.tripplite.com/warranty)



1111 W. 35th Street, Chicago, IL 60609 USA • [www.tripplite.com/support](http://www.tripplite.com/support)

Copyright © 2018 Tripp Lite. All trademarks are the sole property of their respective owners.

# 1. Important Safety Instructions



## SAVE THESE INSTRUCTIONS

This manual contains instructions and warnings that must be followed during the installation and operation of the product described in this manual. Failure to comply may invalidate the warranty and cause property damage or personal injury.

### AC Unit:

- **Do not use a power adapter to connect the charging station to a power source.** Use only the charging station's AC plug to connect directly to the supply mains.
- To remove the AC unit from the supply mains, the power cord serves as a disconnect device.
- If any of the following situations arise, schedule an appointment to have your equipment inspected by a service technician:
  - The equipment has been exposed to moisture
  - The equipment has been dropped and damaged
  - The equipment shows obvious signs of breakage
  - The equipment is not functioning properly or is not functioning according to the instructions described in this Owner's Manual
- Use of this equipment in life support applications where failure of this equipment can reasonably be expected to cause the failure of the life support equipment or to significantly affect its safety or effectiveness is not recommended.

### Charging Station Cabinet:

- Keep the charging station in a controlled indoor environment away from moisture, temperature extremes, flammable liquids and gasses, conductive contaminants, dust and direct sunlight.
- Leave adequate space around the charging station for proper ventilation. Do not block, cover or insert objects into the charging station's external ventilation openings.
- The charging station is extremely heavy. Use caution when handling the charging station. Do not attempt to unpack the charging station unassisted. Use a mechanical device such as a forklift or pallet jack to move the charging station in the shipping container.
- Inspect the shipping container and the charging station for shipping damage. Do not use the charging station if it is damaged.
- Use caution when cutting packing materials. The charging station could be scratched, causing damage not covered by the warranty.
- Save all packing materials for later use. Repacking and shipping the charging station cabinet or equipment without the original packing materials may cause product damage that will void the warranty.
- The charging station includes four pre-installed casters.
- Always use the included handle when moving the charging station (see **section 5.2 Installing the Handle Bracket Corner Safety Bumpers and Power Cord Manager** for more information).
- When moving the charging station cabinet, always push it from behind; never pull it toward you.
- A rolling charging station can cause personal injury and property damage if not properly supervised. If rolling the charging station down a ramp is required, use extreme caution. Do not attempt to use ramps that have a slope grade greater than 12%.

# 2. Overview

Your charging station is an all-in-one solution for storing and charging devices. With four pre-installed casters and an attachable, reversible handle accessory, your charging station is ideal for mobile applications. To prevent theft and device tampering, your charging station enclosure comes equipped with locking steel doors. A padlock hasp located on the front door provides an extra measure of security.

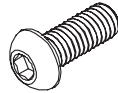
### 3. Feature Identification

#### Front View

- 1** Laminate Desktop Surface
- 2** Reversible Handle
- 3** Power Cord Manager
- 4** Power Cord Access Hole
- 5** 10 ft. Power Cord with 5-15P Plug
- 6** Corner Safety Bumpers (6 Total)
- 7** Storage Shelves with Dividers
- 8** Locking Front Door
- 9** Non-Marking Casters (Swivel Casters are Locking)
- 10** Cat6 RJ45 Pass Through
- 11** Padlock Hasp

#### Included Accessory Hardware

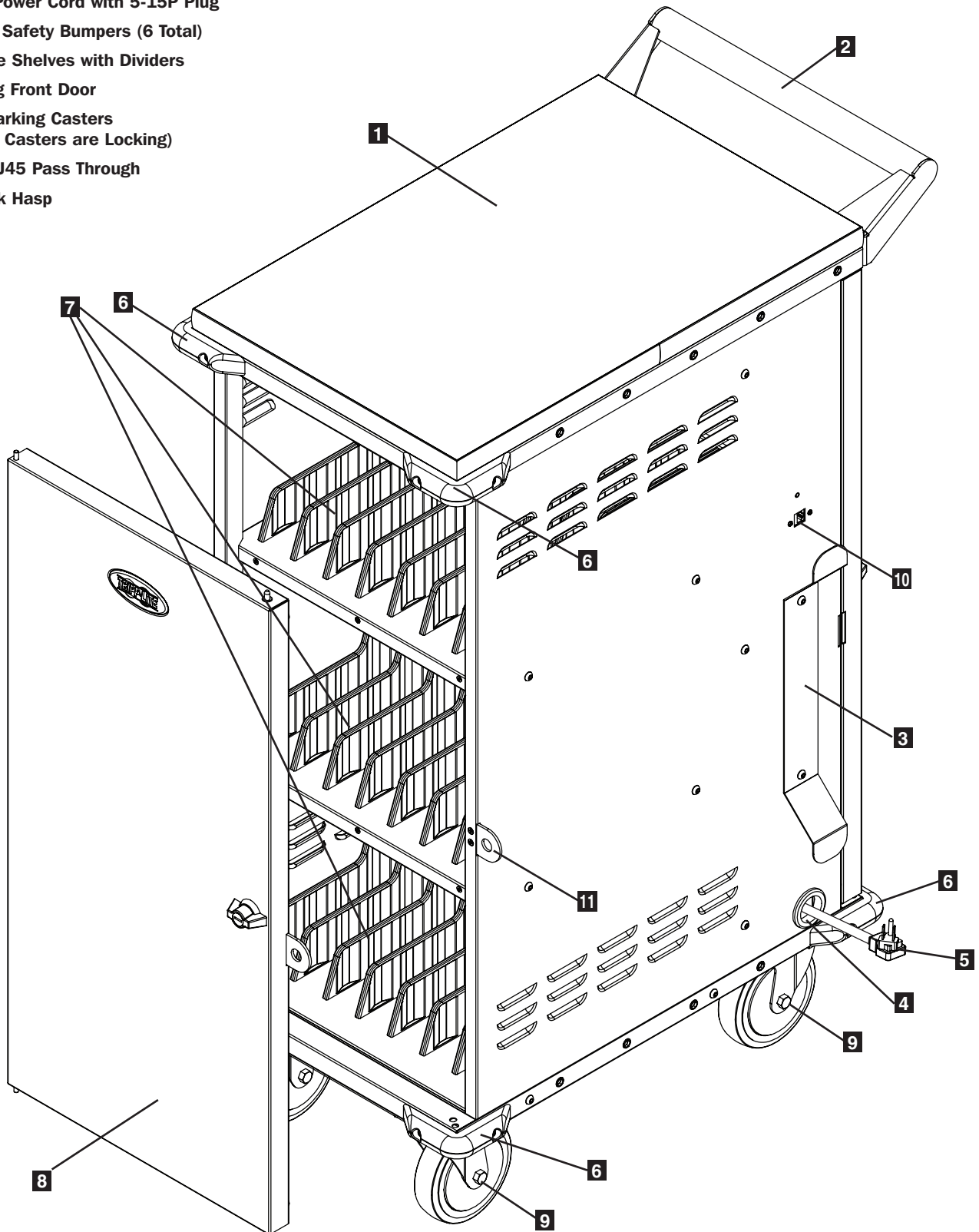
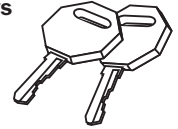
10 x Hex Screws



Hex Key



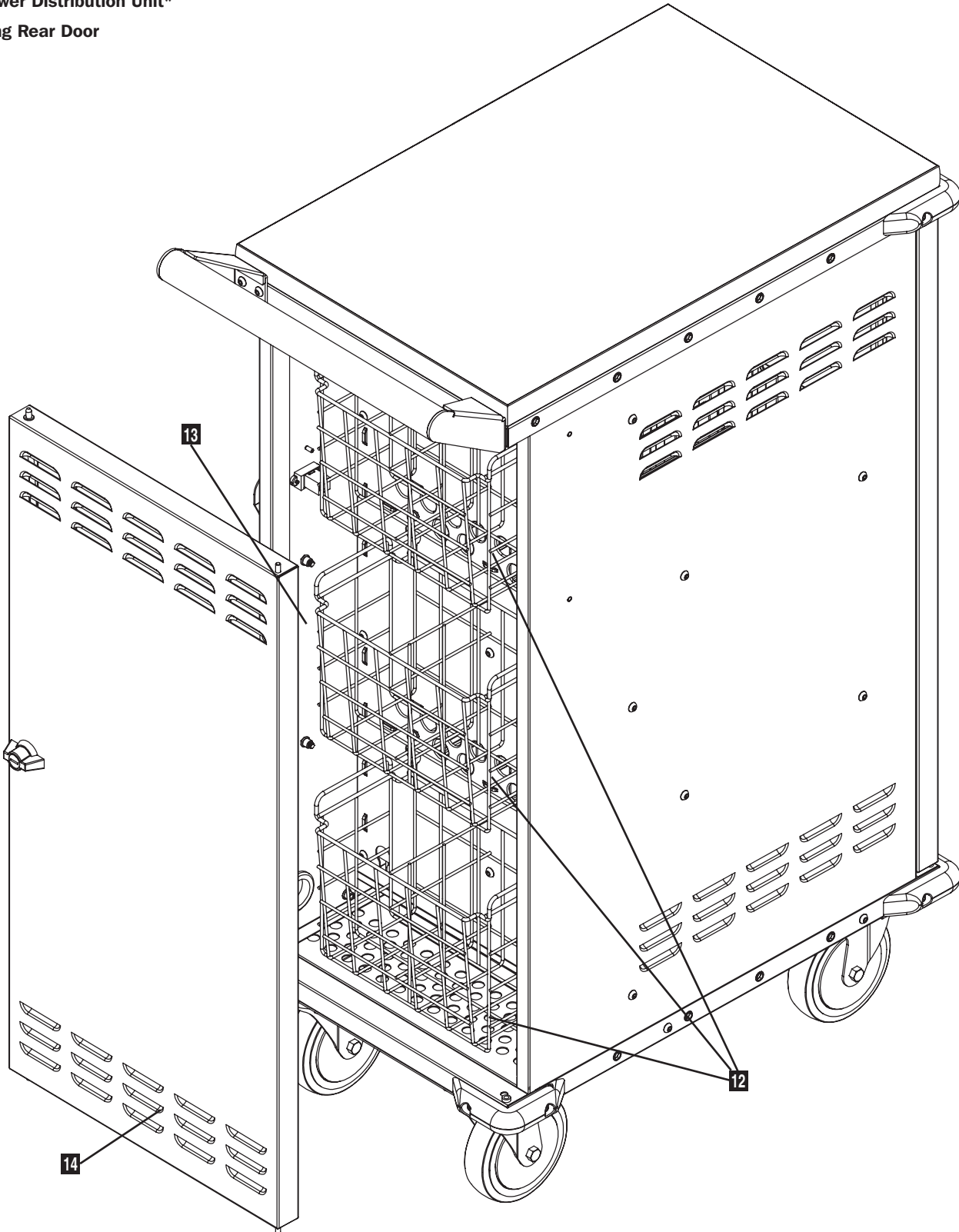
Keys



### 3. Feature Identification

#### Rear View

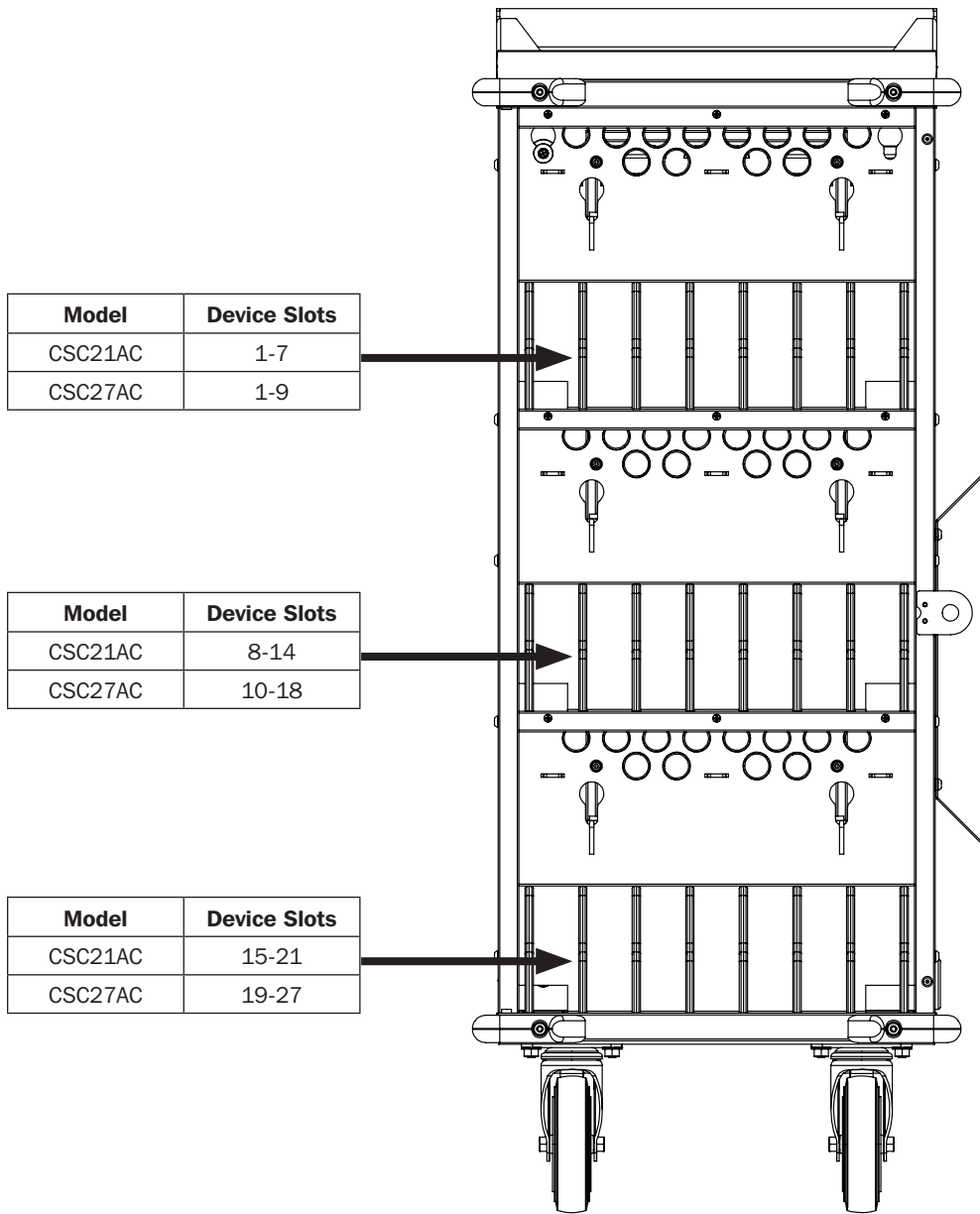
- 12** Power Brick Storage Baskets
- 13** AC Power Distribution Unit\*
- 14** Locking Rear Door



\*For more information, refer to **5.4 Connecting Devices and Powering the AC Unit**.

## 4. Storage Shelf Configuration

### Front View



## 5. Setup



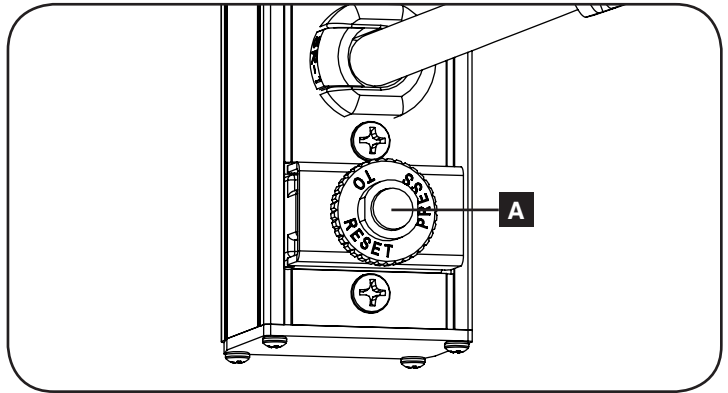
**Caution! Read All Instructions and Warnings Before Installation!**



**Warning: Charging stations can be extremely heavy. Do not attempt to unpack the charging station without assistance. Follow the unpacking instructions document that shipped with this product before proceeding with setup. Use extreme caution when handling the charging station and be sure to follow all handling and installation instructions. Do not attempt to install equipment without first stabilizing the charging station.**

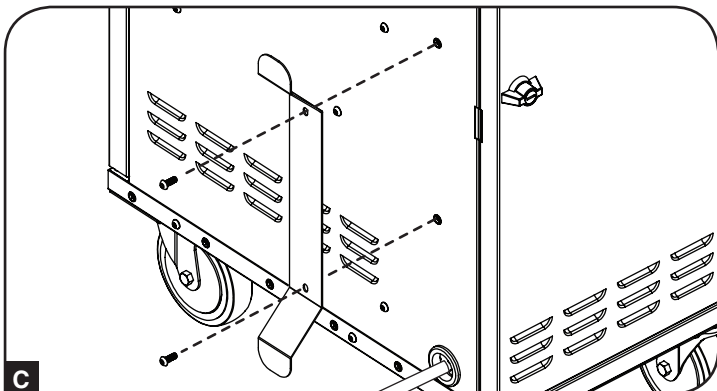
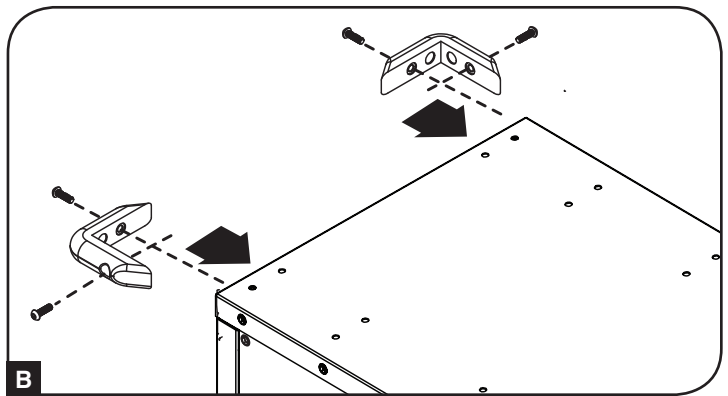
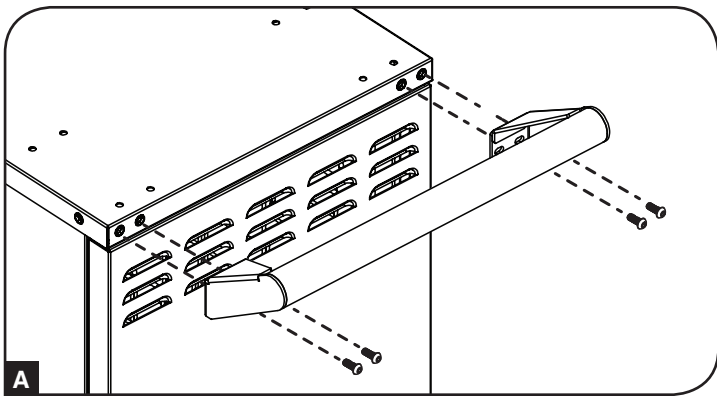
### 5.1 Power Requirements

The charging station must be plugged into an AC outlet with a dedicated circuit. An AC outlet with a 20-amp (NEMA 5-20R) AC circuit is recommended for powering the charging station. The AC outlet used to power the charging station should not be shared. The total wattage of the charging station and all connected components should not exceed 1800 watts. The AC power distribution unit is protected by a 15-amp input breaker **A**.



### 5.2 Installing the Handle Bracket, Corner Safety Bumpers and Power Cord Manager

To install the handle bracket, choose a side on which to install the bracket (the same side as the cable access hole grommet and power cord manager is recommended). Using the included hex key tool and four (4) hex screws, secure the handle bracket to the charging station cabinet **A**. Then install the two top corner safety bumpers using four (4) hex screws (two per bumper) **B**. To install the cord manager, use two (2) hex screws to secure on the same side as the cable access hole grommet **C**.

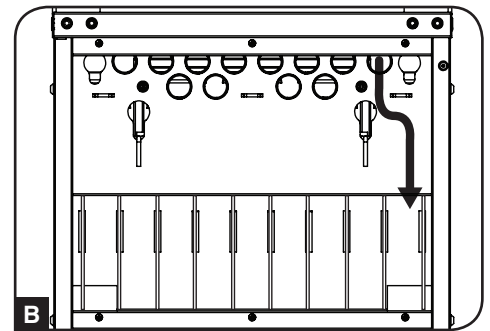
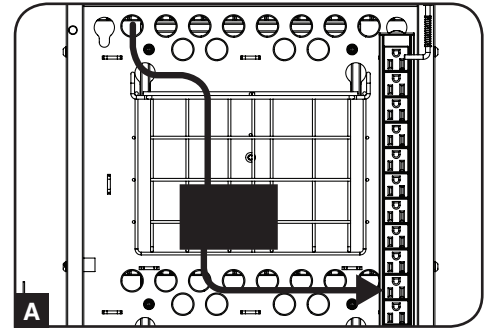


## 5. Setup

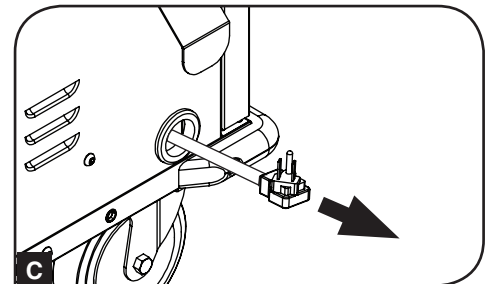
### 5.3 Connecting Devices and Powering the AC Unit

Your charging station contains three baskets, one for each shelf. To connect the device power bricks, place the bricks in the basket. Working one basket at a time, plug the power brick into an outlet on the AC power distribution unit, then run the device cable and connector through a device slot **A** and into the overhead cable manager **B**. Repeat as needed for each slot.

**Note:** Baskets are removable for easier power brick installation.

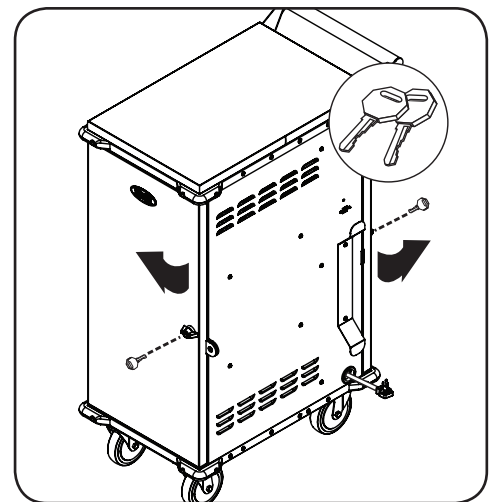


Connect all devices and place on their respective shelves. Once all devices are connected and stored, find the AC unit's input plug and cable located in the charging station's bottom compartment. The input plug extends through the cable access hole grommet located on the bottom of the charging station cabinet **C**. Plug the power cord into the nearest 3-prong, grounded wall outlet.



### 5.4 Door Locks

The doors contain a lock that is accessible with the included keys. The padlock hasp on the front door provides an extra measure of security against device theft.



## 6. Specifications

Model	CSC21AC	CSC27AC
Cabinet Dimensions (H x W x D)	43.3 x 17.6 x 29.6 in. / 1099 x 447 x 751 mm	
Unit Weight	116.63 lb. / 52.9 kg	118 lb. / 53.5 kg
Load Capacity	200 lb. / 91 kg	
AC Receptacles	Power Distribution Unit: 27 x 5-15R	
Power Requirement	Input: 120V AC, 50/60 Hz, 15 Amps	
Operating Temperature	32° to 104° F / 0° to 40° C	
Operating Humidity	5 to 95% RH, Non-Condensing	

## 7. Storage, Service and Cleaning

### Storage

The enclosure should be stored in a controlled indoor environment away from moisture, temperature extremes, flammable liquids and gasses, conductive contaminants, dust and direct sunlight. Store the enclosure in its original shipping container if possible.

### Service

The enclosure is covered by the limited warranty described in this manual. For more information, visit [www.tripplite.com/support](http://www.tripplite.com/support).

### Cleaning

Before cleaning, always power off the charging station by unplugging it from its AC source. Dampen a clean, lint-free cloth with water and wipe down the unit, as necessary. Allow the surface area to dry before plugging in the unit.

**Note:** Avoid using abrasive cloths, solvents or aerosol sprays to clean the charging station; doing so can damage the unit.

## 8. Warranty and Product Registration

### 2-Year Limited Warranty

Seller warrants this product, if used in accordance with all applicable instructions, to be free from original defects in material and workmanship for a period of 2 years from the date of initial purchase. If the product should prove defective in material or workmanship within that period, Seller will repair or replace the product, at its sole discretion.

THIS WARRANTY DOES NOT APPLY TO NORMAL WEAR OR TO DAMAGE RESULTING FROM ACCIDENT, MISUSE, ABUSE OR NEGLIGENCE. SELLER MAKES NO EXPRESS WARRANTIES OTHER THAN THE WARRANTY EXPRESSLY SET FORTH HEREIN. EXCEPT TO THE EXTENT PROHIBITED BY APPLICABLE LAW, ALL IMPLIED WARRANTIES, INCLUDING ALL WARRANTIES OF MERCHANTABILITY OR FITNESS, ARE LIMITED IN DURATION TO THE WARRANTY PERIOD SET FORTH ABOVE; AND THIS WARRANTY EXPRESSLY EXCLUDES ALL INCIDENTAL AND CONSEQUENTIAL DAMAGES. (Some states do not allow limitations on how long an implied warranty lasts, and some states do not allow the exclusion or limitation of incidental or consequential damages, so the above limitations or exclusions may not apply to you. This warranty gives you specific legal rights, and you may have other rights which vary from jurisdiction to jurisdiction).

**WARNING:** The individual user should take care to determine prior to use whether this device is suitable, adequate or safe for the use intended. Since individual applications are subject to great variation, the manufacturer makes no representation or warranty as to the suitability or fitness of these devices for any specific application.

### Product Registration

Visit [www.tripplite.com/warranty](http://www.tripplite.com/warranty) today to register your new Tripp Lite product. You'll be automatically entered into a drawing for a chance to win a FREE Tripp Lite product!\*

\* No purchase necessary. Void where prohibited. Some restrictions apply. See website for details.

### Regulatory Compliance Identification Numbers

For the purpose of regulatory compliance certifications and identification, your Tripp Lite product has been assigned a unique series number. The series number can be found on the product nameplate label, along with all required approval markings and information. When requesting compliance information for this product, always refer to the series number. The series number should not be confused with the marketing name or model number of the product.

### FCC Notice, Class B

This device complies with part 15 of the FCC Rules. Operation is subject to the following two conditions: (1) This device may not cause harmful interference, and (2) this device must accept any interference received, including interference that may cause undesired operation.

Note: This equipment has been tested and found to comply with the limits for a Class B digital device, pursuant to part 15 of the FCC Rules. These limits are designed to provide reasonable protection against harmful interference in a residential installation. This equipment generates, uses and can radiate radio frequency energy and, if not installed and used in accordance with the instructions, may cause harmful interference to radio communications. However, there is no guarantee that interference will not occur in a particular installation. If this equipment does cause harmful interference to radio or television reception, which can be determined by turning the equipment off and on, the user is encouraged to try to correct the interference by one or more of the following measures:

- Reorient or relocate the receiving antenna.
- Increase the separation between the equipment and receiver.
- Connect the equipment into an outlet on a circuit different from that to which the receiver is connected.
- Consult the dealer or an experienced radio/TV technician for help.

Any changes or modifications to this equipment not expressly approved by Tripp Lite could void the user's authority to operate this equipment.

### WEEE Compliance Information for Tripp Lite Customers and Recyclers (European Union)



Under the Waste Electrical and Electronic Equipment (WEEE) Directive and implementing regulations, when customers buy new electrical and electronic equipment from Tripp Lite they are entitled to:

- Send old equipment for recycling on a one-for-one, like-for-like basis (this varies depending on the country)
- Send the new equipment back for recycling when this ultimately becomes waste

Tripp Lite has a policy of continuous improvement. Specifications are subject to change without notice.





# Manual del Propietario

## Estaciones de Móvil de Carga

**Modelos: CSC21AC (21 Ranuras de Dispositivos),  
CSC27AC (27 Ranuras de Dispositivos)**

### Índice

<b>1. Instrucciones de Seguridad Importantes</b>	<b>10</b>
<b>2. Descripción General</b>	<b>10</b>
<b>3. Identificación de Características</b>	<b>11</b>
<b>4. Configuración de la Gaveta de Almacenamiento</b>	<b>13</b>
<b>5. Configuración</b>	<b>14</b>
5.1 Requerimientos de Alimentación	14
5.2 Instalación del Soporte de la Manija, Topes de Seguridad en Esquinas y Administrador de Cable del Alimentación	14
5.3 Conexión de Dispositivos y Alimentación de la Unidad de CA	15
5.4 Cerraduras de las Puerta	15
<b>6. Especificaciones</b>	<b>16</b>
<b>7. Almacenamiento, Servicio y Limpieza</b>	<b>16</b>
<b>8. Garantía</b>	<b>16</b>
<b>English</b>	<b>1</b>
<b>Français</b>	<b>17</b>



1111 W. 35th Street, Chicago, IL 60609 USA • [www.tripplite.com/support](http://www.tripplite.com/support)

Copyright © 2018 Tripp Lite. Todas las marcas registradas son propiedad de sus respectivos propietarios.

# 1. Instrucciones de Seguridad Importantes



## CONSERVE ESTAS INSTRUCCIONES

Este manual contiene instrucciones y advertencias que deben observarse durante la instalación y operación del producto descrito en este manual. El no hacerlo puede invalidar la garantía y causar daños a la propiedad o lesiones personales.

### Unidad de CA:

- **No use un adaptador de corriente para conectar la estación de carga a una fuente de alimentación.** Use solo la clavija de CA de la estación de carga para conectar directamente a la red pública.
- Para retirar la unidad de CA de la alimentación del servicio público, el cable de alimentación sirve como dispositivo de desconexión.
- En caso de ocurrir cualquiera de las siguientes situaciones, comuníquese con un técnico de servicio para que inspeccione el equipo:
  - El equipo ha estado expuesto a humedad
  - El equipo se ha caído o dañado
  - El equipo muestra obvios signos de ruptura
  - El equipo no funciona correctamente o no funciona de acuerdo a las instrucciones descritas en el presente Manual del Propietario
- No se recomienda utilizar este equipo en aplicaciones de soporte de vida donde una falla podría llegar a causar la falla del equipo de soporte de vida o afectar significativamente su seguridad o efectividad.

### Gabinete Estación de Carga:

- Mantenga la estación de carga en un entorno interior controlado lejos de humedad excesiva, temperaturas extremas, líquidos y gases inflamables, contaminantes conductores, polvo o luz solar directa.
- Deje un espacio adecuado alrededor de la estación de carga para que reciba una ventilación apropiada. No bloquee, cubra ni coloque objetos en las aberturas externas de ventilación de la estación de carga.
- La estación de carga es extremadamente pesada. Tenga cuidado cuando maneje la estación de carga. No trate de desempacar la estación de carga sin ayuda. Utilice un dispositivo mecánico como un montacargas o gato para tarimas para mover la estación de carga en el contenedor de embarque.
- Inspeccione el contenedor de embarque y la estación de carga para detectar daños en el embarque. No utilice la estación si está dañada.
- Tenga cuidado cuando corte el material de empaque. La estación de carga podría haber sido rasguñada o rayada, causando daños no cubiertos por la garantía.
- Guarde todo el material de empaque para uso posterior. Volver a empacar y enviar el equipo o el gabinete de la estación de carga sin el material de empaque original puede ocasionar daños al producto que anularían la garantía.
- La estación de carga incluye cuatro ruedas giratorias con bloqueo preinstaladas.
- Cuando mueva la estación de carga, siempre utilice la manija incluida (para obtener más información, consulte la sección **5.2 Instalación de los Topes de Seguridad de la Esquina del Soporte de la Manija y el Administrador del Cable de Alimentación**).
- Cuando mueva el gabinete de la estación de carga, siempre empújelo desde la parte posterior; nunca lo jale hacia usted.
- Una estación de carga rodando puede ocasionar lesiones personales y daños a la propiedad si no es supervisada correctamente. Tenga mucho cuidado si necesita trasladar hacia abajo la estación de carga por una rampa. No intente usar rampas que tengan una pendiente superior al 12%.

# 2. Descripción General

Su estación de carga es una solución todo en uno para almacenamiento y carga de dispositivos. Con cuatro ruedas preinstaladas y una manija instalable reversible, la estación de carga es ideal para aplicaciones móviles. Para evitar el robo y la manipulación indebida del dispositivo, el gabinete de la estación de carga está equipado con puertas de acero con cerradura. Un portacandado ubicado en la puerta frontal proporciona una medida extra de seguridad.

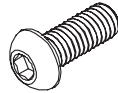
### 3. Identificación de Características

#### Vista Frontal

- 1** Superficie de Escritorio Laminada
- 2** Manija Reversible
- 3** Administrador de Cable de Alimentación
- 4** Orificio de Acceso para Cable de Alimentación
- 5** Cable de alimentación de 3.05 m [10 pies] con clavija 5-15P
- 6** Topes de Seguridad para Esquina (6 en Total)
- 7** Estantes de Almacenamiento con Divisores
- 8** Puerta Frontal con Cerradura
- 9** Ruedas que No Dejan Marcas (Las Ruedas Giratorias Tienen Bloqueo)
- 10** Cat6 RJ45 de Paso Directo
- 11** Portacandado

#### Accesorios Incluidos

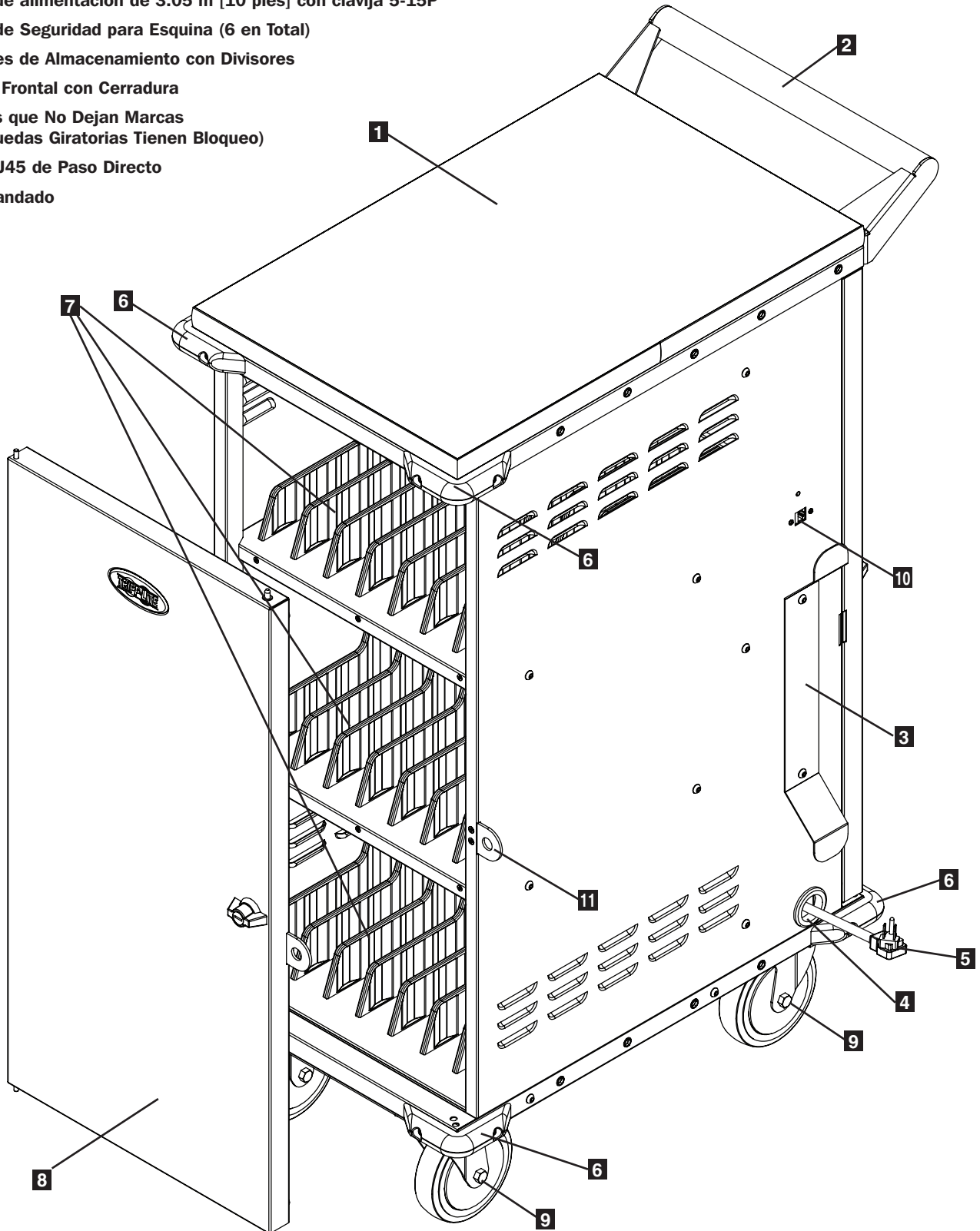
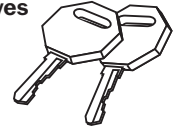
10 x Tornillos Hex



Llave Hex



Llaves



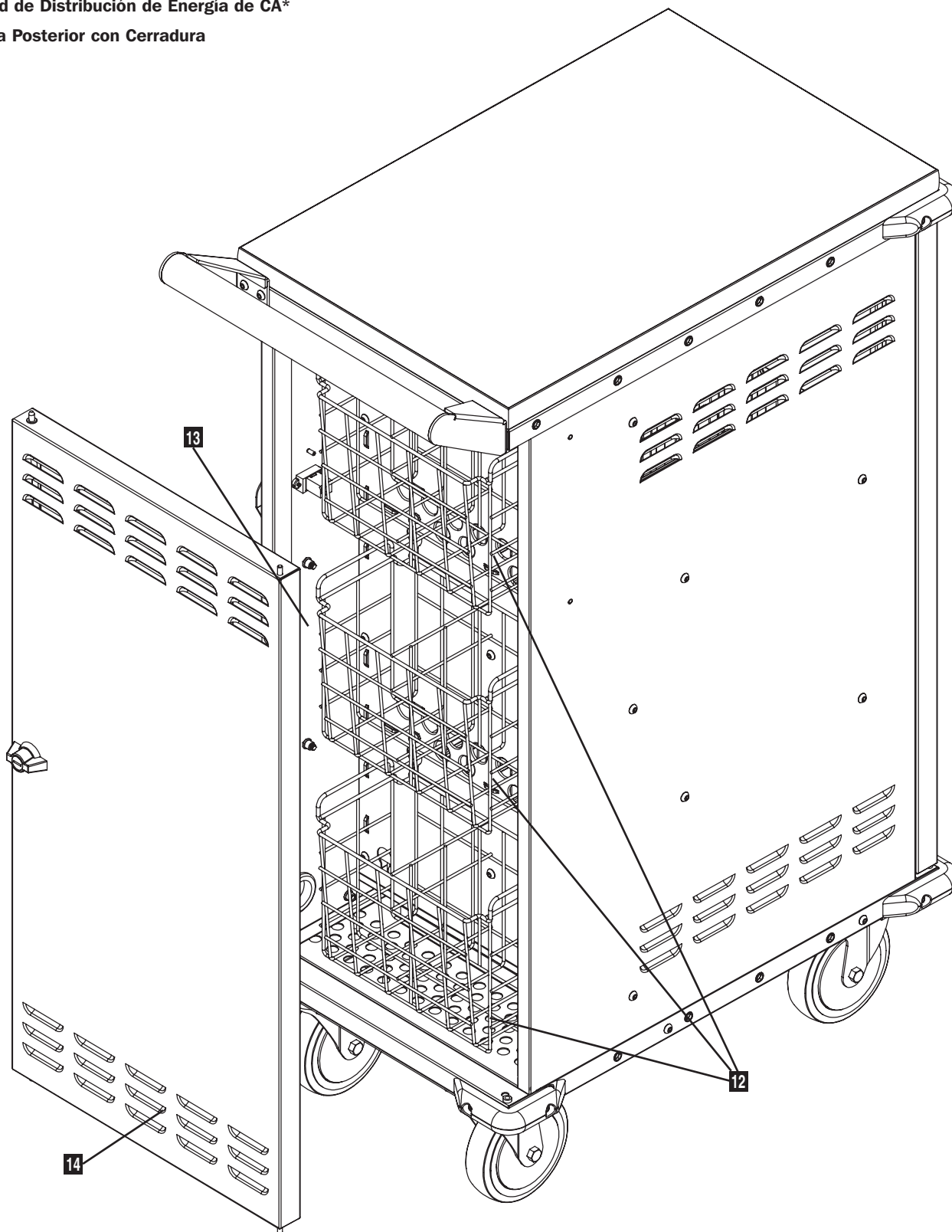
### 3. Identificación de Características

#### Vista Posterior

12 Cestas del Almacenamiento del Convertidor de Corriente

13 Unidad de Distribución de Energía de CA\*

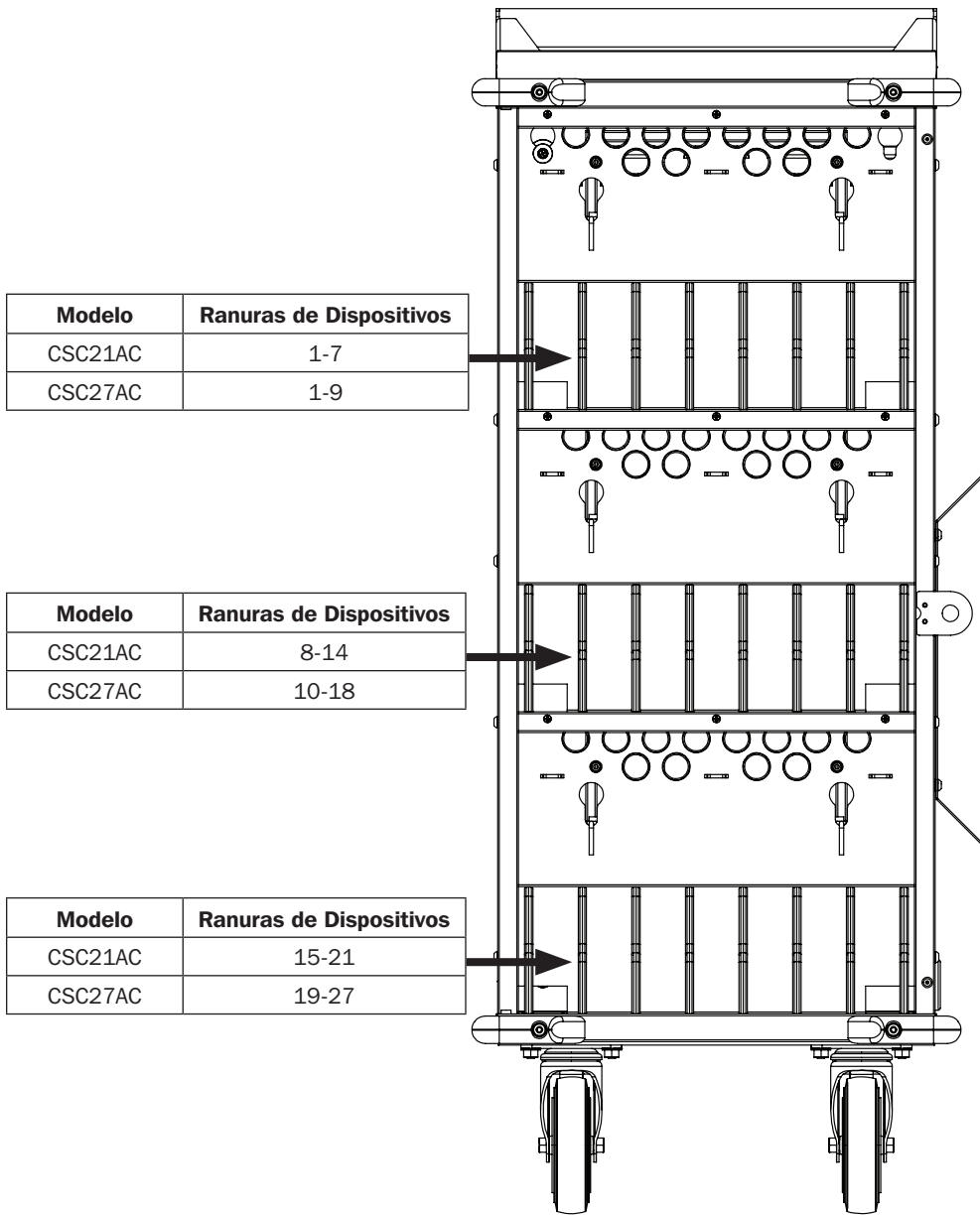
14 Puerta Posterior con Cerradura



\*Para obtener más información, consulte 5.4 Dispositivos de Conexión y Alimentación de la unidad de CA.

## 4. Configuración de la Gaveta de Almacenamiento

### Vista Frontal



## 5. Configuración



**¡Precaución! ¡Lea todas las instrucciones y las advertencias antes de realizar la instalación!**

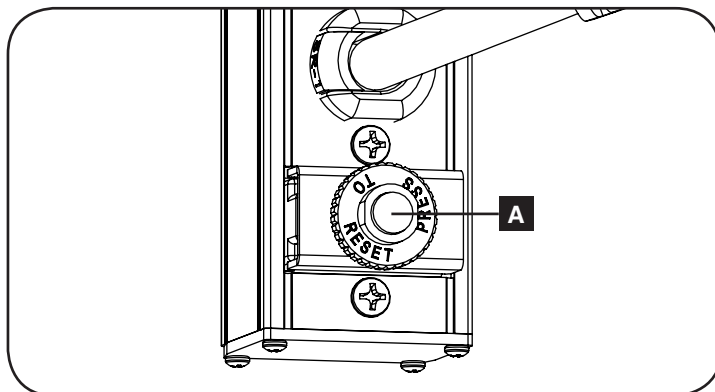


**ADVERTENCIA:** Las estaciones de carga pueden ser muy pesadas. No trate de desempacar la estación de carga sin ayuda. Siga el documento de instrucciones de desempacado enviado con este producto antes de proceder con la instalación. Tenga mucho cuidado al manejar el cargador y asegúrese de seguir todas las instrucciones de manejo e instalación. No intente instalar los equipos sin estabilizar primero la estación de carga.

### 5.1 Requerimientos de Alimentación

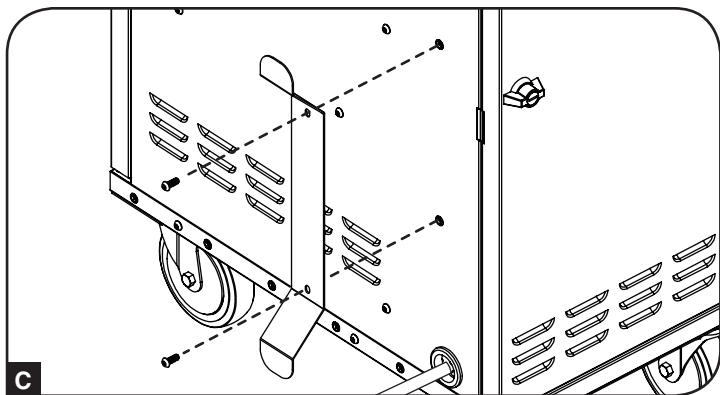
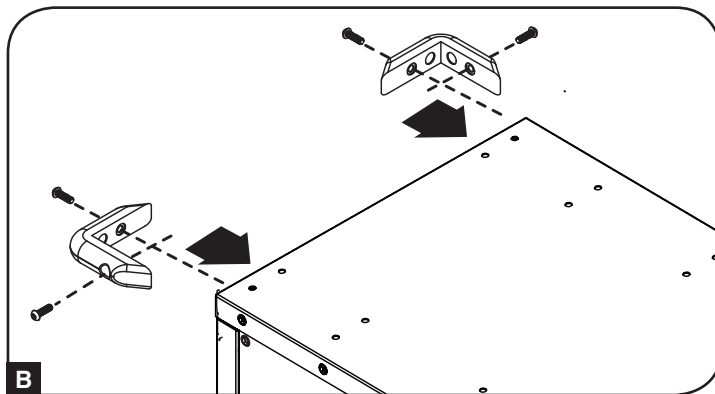
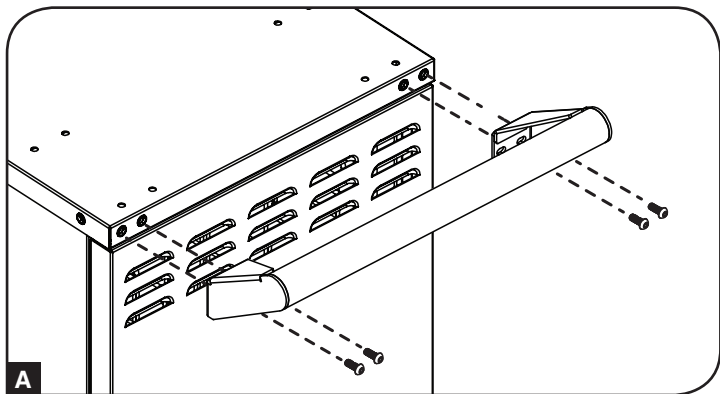
La estación de carga debe conectarse en una salida CA con un circuito dedicado. Se recomienda un tomacorrientes de CA con un circuito de 20 Amperes (NEMA 5-20R) para alimentar la estación de carga. No se debe compartir la salida CA usada para alimentar la estación de carga. La potencia total de la estación de carga y todos los componentes conectados no debe superar los 1800 Watts. La unidad de distribución de energía CA está protegida por un breaker de entrada de 15 amperes

**A.**



### 5.2 Instalación del Soporte de la Manija, Topes de Seguridad de las Esquinas y Administrador del Cable de Alimentación

Para instalar el soporte de la manija, elija un lado en el que se instalará el soporte (se recomienda el mismo lado que el orificio de acceso de cables y el administrador de cable de alimentación). Usando la llave hexagonal incluida y 4 cuatros tornillos de cabeza hexagonal, sujete el Soporte de la Manija al gabinete de la estación carga **A**. Entonces instale los dos topes de seguridad de las esquinas superiores usando los cuatro (4) tornillos hexagonales (Dos por tope) **B**. Para instalar al administrador de cable, utilice dos (2) tornillos de cabeza hexagonal para fijar en el mismo lado que el orificio de acceso de cables **C**.

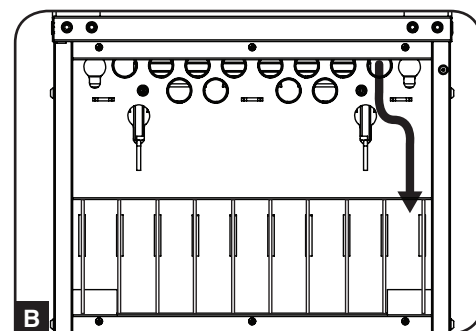
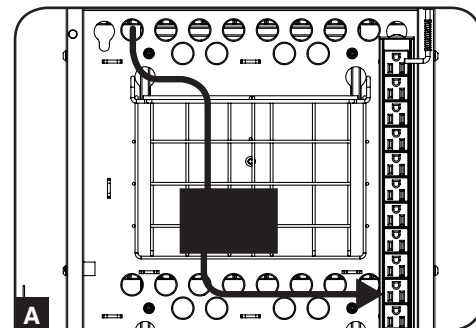


## 5. Configuración

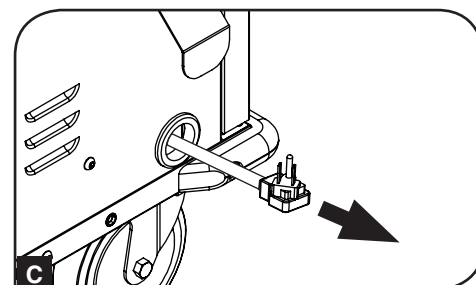
### 5.3 Conexión de Dispositivos y Alimentación de la Unidad de CA

Su estación de carga contiene tres canastillas, una para cada entrepaño. Para conectar los adaptadores de corriente de dispositivo, coloque los adaptadores en la canastilla. Trabajando una canastilla a la vez, enchufe el adaptador de corriente en un tomacorrientes de la unidad de distribución de energía de CA y luego conduzca el cable del dispositivo y el conector a través de una ranura de dispositivo **A** y en el administrador de cables superior **B**. Repita según sea necesario para cada ranura.

**Nota:** Las canastillas son removibles para fácil instalación del convertidor de corriente.

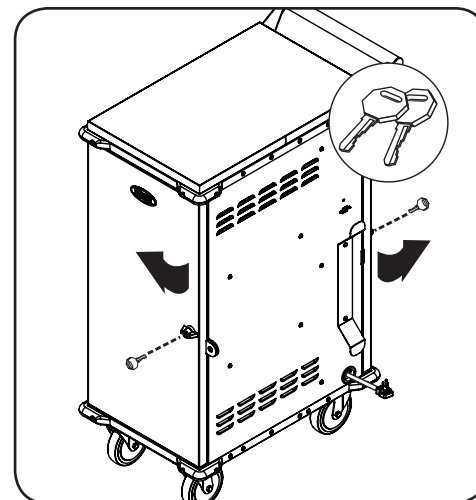


Conecte todos los dispositivos y colóquelos en sus respectivos estantes. Una vez conectados y almacenados todos los dispositivos, encuentre la clavija y cable de entrada de la unidad de CA ubicados en el compartimiento inferior de la estación de carga. El enchufe de entrada se extiende a través del orificio de entrada de cable ubicado en la parte inferior del gabinete de la estación de carga **C**. Conecte el cable de alimentación en la toma en la pared de tres clavijas, debidamente aterrizada, más cercana.



### 5.4 Cerraduras de las Puerta

Cada puerta tiene una cerradura que funciona con las llaves incluidas. El portacandado en la puerta frontal proporciona una medida adicional de seguridad contra el robo de dispositivos.



## 6. Especificaciones

Modelo	CSC21AC	CSC27AC
Dimensiones del Gabinete (Al x An x Pr)	1099 x 447 x 751 mm / 43.3 x 17.6 x 29.6 pulg.	
Peso de la Unidad	52.9 kg / 116.63 lb.	53.5 kg / 118 lb.
Capacidad de Carga	91 kg / 200 lb.	
Tomacorrientes de CA	Unidad de Distribución de Energía: 27 x 5-15R	
Requerimiento de Energía	Entrada: CA de 120 V, 50/60 Hz, 15 A	
Temperatura en funcionamiento	0° C a 40° C [32° F a 104° F]	
Humedad en funcionamiento	HR de 5% a 95%, Sin Condensación	

## 7. Almacenamiento, Servicio y Limpieza

### Almacenamiento

El gabinete debe guardarse en un entorno interior controlado lejos de humedad excesiva, temperaturas extremas, líquidos y gases inflamables, contaminantes conductores, polvo o luz solar directa. De ser posible, almacene el gabinete en su contenedor de embarque original.

### Servicio

El gabinete está cubierto por la garantía limitada descrita en el presente manual. Para obtener más información, visite [www.tripplite.com/support](http://www.tripplite.com/support).

### Limpieza

Antes de limpiar, siempre apague la estación de carga desconectándola de la fuente de CA. Humedezca un trapo limpio y sin pelusas con agua, y limpie la unidad según sea necesario. Permita que se seque la superficie antes de enchufar en la unidad.

**Nota:** evite el uso de lijas, telas de esmeril, solventes o aerosoles para limpiar la estación de carga, ya que pueden dañarla.

## 8. Garantía

### 2 Años de Garantía Limitada

El vendedor garantiza este producto, si se usa de acuerdo con todas las instrucciones aplicables, de que está libre de defectos en material y mano de obra por un período de 2 años a partir de la fecha de compra inicial. Si el producto resulta defectuoso en material o mano de obra dentro de ese período, el vendedor reparará o reemplazará el producto a su entera discreción.

ESTA GARANTÍA NO SE APLICA AL DESGASTE NORMAL O A LOS DAÑOS QUE RESULTEN DE ACCIDENTES, MAL USO, USO INDEBIDO O NEGLIGENCIA. EL VENDEDOR NO OTORGA GARANTÍAS EXPRESAS DISTINTAS DE LA ESTIPULADA EN EL PRESENTE. SALVO EN LA MEDIDA EN QUE LO PROHÍBAN LAS LEYES APLICABLES, TODAS LAS GARANTÍAS IMPLÍCITAS, INCLUYENDO TODAS LAS GARANTÍAS DE COMERCIALIZACIÓN O IDONEIDAD, ESTÁN LIMITADAS EN DURACIÓN AL PERÍODO DE GARANTÍA ESTABLECIDO; ASIMISMO, ESTA GARANTÍA EXCLUYE EXPRESAMENTE TODOS LOS DAÑOS INCIDENTALES E INDIRECTOS. (Algunos estados no permiten limitaciones en cuanto a la duración de una garantía y algunos estados no permiten la exclusión o limitación de daños incidentales o indirectos, de modo que las limitaciones anteriores pueden no aplicar para usted. Esta garantía le otorga derechos legales específicos y usted puede tener otros derechos que pueden variar de una jurisdicción a otra).

ADVERTENCIA: antes de usar este dispositivo, cada usuario debe tener cuidado para determinar si es adecuado o seguro para el uso previsto. Ya que las aplicaciones individuales están sujetas a gran variación, el fabricante no garantiza la adecuación de estos dispositivos para alguna aplicación específica.

### Cumplimiento de las normas de los números de identificación

Para fines de identificación y certificación del cumplimiento de las normas, su producto Tripp Lite tiene asignado un número de serie único. Puede encontrar el número de serie en la etiqueta de la placa de identificación del producto, junto con los símbolos de aprobación e información requeridos. Al solicitar información sobre el cumplimiento de las normas para este producto, siempre mencione el número de serie. El número de serie no debe ser confundido con el nombre de identificación ni con el número de modelo del producto.

### Información de Cumplimiento con WEEE para los Clientes y Recicladores de Tripp Lite (Unión Europea)



Conforme a la Directiva de Desechos de Equipos Eléctricos y Electrónicos (WEEE) y regulaciones aplicables, cuando los clientes adquieren un nuevo equipo eléctrico y electrónico de Tripp Lite están obligados a:

- Enviar el equipo viejo a reciclaje en una base de uno por uno, semejante por semejante (esto varía de un país a otro)
- Regresar el equipo nuevo para reciclaje una vez que finalmente sea un desecho

Tripp Lite tiene una política de mejora continua. Las especificaciones están sujetas a cambios sin previo aviso.





# Manuel de l'utilisateur

## Chariot de station de chargement

**Modèles : CSC21AC (21 fentes du dispositif),  
CSC27AC (27 fentes du dispositif)**

### Table des matières

<b>1. Consignes de sécurité importantes</b>	<b>18</b>
<b>2. Aperçu</b>	<b>18</b>
<b>3. Identification des caractéristiques</b>	<b>19</b>
<b>4. Configuration de l'étagère de rangement</b>	<b>21</b>
<b>5. Configuration</b>	<b>22</b>
5.1 Besoins en matière de puissance	22
5.2 Besoins en matière de puissance, Pare-chocs de sécurité pour les coins et guide du cordon d'alimentation	22
5.3 Connexion des dispositifs et mise sous tension de l'appareil CA	23
5.4 Verrous de porte	23
<b>6. Caractéristiques techniques</b>	<b>24</b>
<b>7. Entreposage, entretien et nettoyage</b>	<b>24</b>
<b>8. Garantie</b>	<b>24</b>
<b>English</b>	<b>1</b>
<b>Español</b>	<b>9</b>



1111 W. 35th Street, Chicago, IL 60609 USA • [www.tripplite.com/support](http://www.tripplite.com/support)

Droits d'auteur © 2018 Tripp Lite. Toutes les marques de commerce sont la propriété exclusive de leurs propriétaires respectifs.

# 1. Consignes de sécurité importantes



## CONSERVEZ CES INSTRUCTIONS

Ce manuel contient des instructions et des avertissements qui doivent être suivis lors de l'installation et du fonctionnement du produit décrit dans ce manuel. Le non-respect pourrait annuler la garantie et causer des dommages à la propriété et ou des blessures.

### Appareil CA :

- **Ne pas utiliser d'adaptateur de puissance pour raccorder la station de chargement à une source d'alimentation.** Utiliser uniquement la fiche CA de la station de chargement pour raccorder directement à l'alimentation du secteur.
- Pour débrancher l'appareil CA de l'alimentation du secteur, le cordon d'alimentation sert de dispositif de débranchement.
- Si une des situations suivantes se présente, prendre un rendez-vous pour faire inspecter votre équipement par un technicien en entretien :
  - L'équipement a été exposé à l'humidité.
  - L'équipement a été échappé et endommagé.
  - L'équipement montre des signes évidents de dommages.
  - L'équipement ne fonctionne pas correctement ou ne fonctionne pas conformément aux directives du manuel de l'utilisateur.
- Il n'est pas recommandé d'utiliser cet équipement pour des appareils de survie où une défaillance de cet équipement peut, selon toute vraisemblance, entraîner la défaillance de l'appareil de maintien de la vie ou affecter de façon majeure sa sécurité ou son efficacité.

### Armoire de la station de chargement :

- Garder la station de chargement dans un environnement intérieur contrôlé, à l'écart de l'humidité, des températures extrêmes, des liquides et des gaz inflammables, des contaminants conducteurs, de la poussière et de la lumière directe du soleil.
- Laisser suffisamment d'espace autour de la station de chargement pour assurer une bonne ventilation. Ne pas bloquer, couvrir ou insérer des objets dans les ouvertures de ventilation externes de la station de chargement.
- La station de chargement est extrêmement lourde. Faire preuve de vigilance lors de la manutention de la station de chargement. Ne pas tenter de la débarrer sans assistance. Utiliser un dispositif mécanique comme un chariot élévateur à fourche ou un transpalette manuel pour déplacer la station de chargement dans le conteneur d'expédition.
- Inspecter le conteneur d'expédition et la station de chargement pour s'assurer qu'elle n'a subi aucun dommage durant le transport. Ne pas utiliser la station de chargement si elle est endommagée.
- Faire preuve de vigilance au moment de couper le matériel d'emballage. Cela risquerait d'égratigner la station de chargement, causant des dommages qui ne sont pas couverts par la garantie.
- Conserver tout le matériel d'emballage en vue d'une utilisation ultérieure. Remballer et expédier l'armoire de la station de chargement ou l'équipement sans le matériel d'emballage d'origine pourrait causer des dommages au produit et annuler la garantie.
- La station de chargement comprend quatre roulettes verrouillables/orientables préinstallées.
- Toujours utiliser la poignée incluse lors du déplacement de la station de chargement (voir la section **5.2 Installer le support de poignée, les pare-chocs de sécurité pour les coins et le guide du cordon d'alimentation** pour plus de renseignements).
- Lors du déplacement de l'armoire de la station de chargement, toujours la pousser par derrière; ne jamais la tirer vers soi.
- Une station de chargement déplacée sur ses roulettes peut causer des blessures corporelles et des pertes matérielles sans supervision adéquate. Si la station de chargement doit être roulée vers le bas d'une rampe, procéder avec la plus grande prudence. Ne pas tenter d'utiliser des rampes qui ont une pente supérieure à 12 %.

## 2. Aperçu

La station de chargement est une solution tout-en-un pour ranger et charger des appareils. Avec quatre roulettes préinstallées et une poignée amovible réversible, la station de chargement est idéale pour les applications mobiles. Pour prévenir le vol et l'altération de l'appareil, le boîtier de la station de chargement est équipé de portes en acier verrouillables. Un loquet pour cadenas qui se trouve sur la porte avant fournit une mesure de sécurité supplémentaire.

### 3. Identification des caractéristiques

#### Vue avant

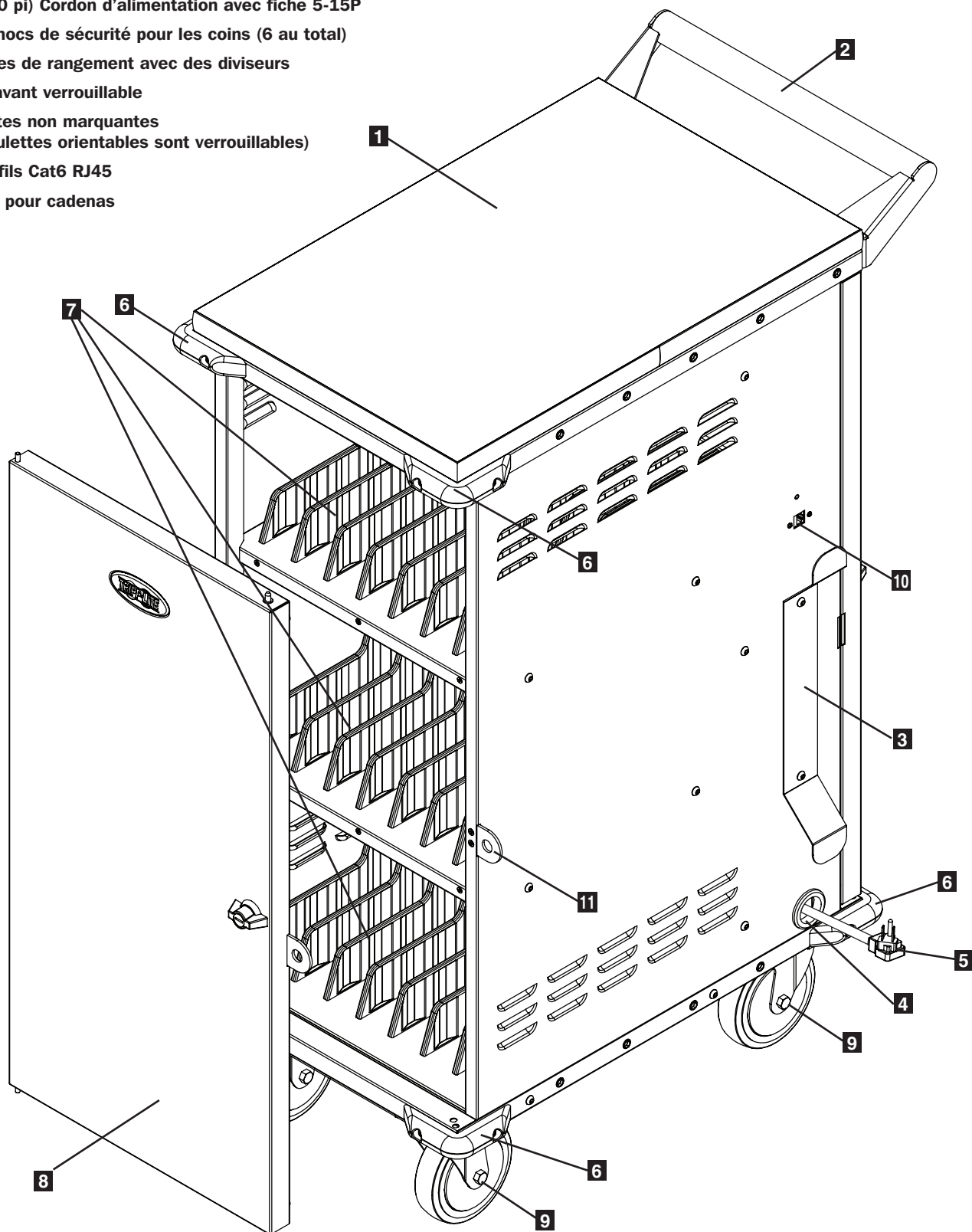
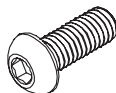
- 1** Surface de bureau stratifiée
- 2** Poignée réversible
- 3** Guide du cordon d'alimentation
- 4** Trou d'accès au cordon d'alimentation
- 5** 3 m (10 pi) Cordon d'alimentation avec fiche 5-15P
- 6** Pare-chocs de sécurité pour les coins (6 au total)
- 7** Étagères de rangement avec des diviseurs
- 8** Porte avant verrouillable
- 9** Roulettes non marquantes (les roulettes orientables sont verrouillables)
- 10** Passe-fils Cat6 RJ45
- 11** Loquet pour cadenas

#### Quincaillerie pour les accessoires incluse

10 x vis hexagonales

Clé hexagonale

Cles



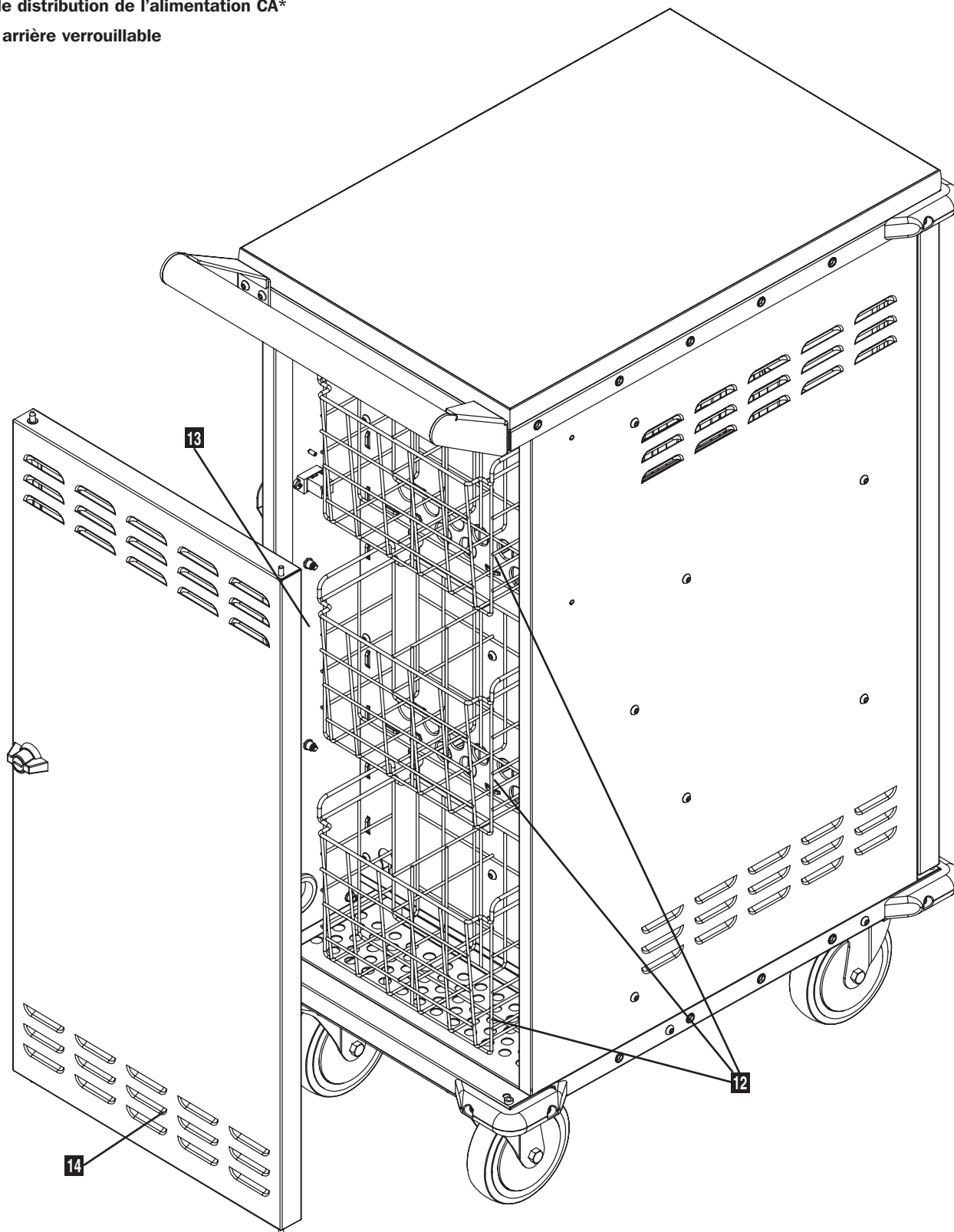
### 3. Identification des caractéristiques

#### Vue arrière

**12** Paniers de rangement du bloc d'alimentation externe

**13** Unité de distribution de l'alimentation CA\*

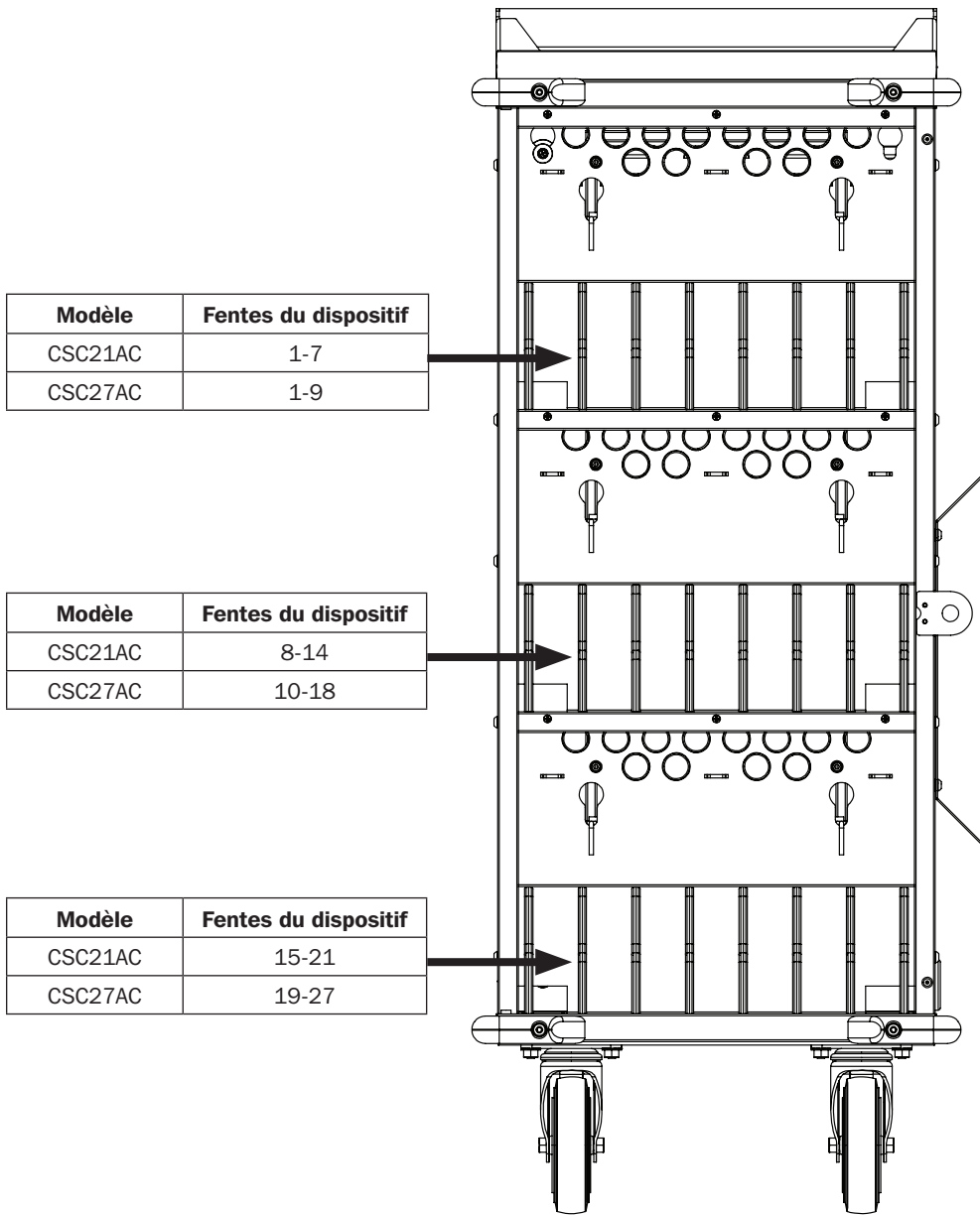
**14** Porte arrière verrouillable



\*Pour de plus amples informations, se reporter à **5.4 Connexion des dispositifs et mise sous tension de l'appareil CA.**

## 4. Configuration de l'étagère de rangement

### Vue avant



## 5. Configuration



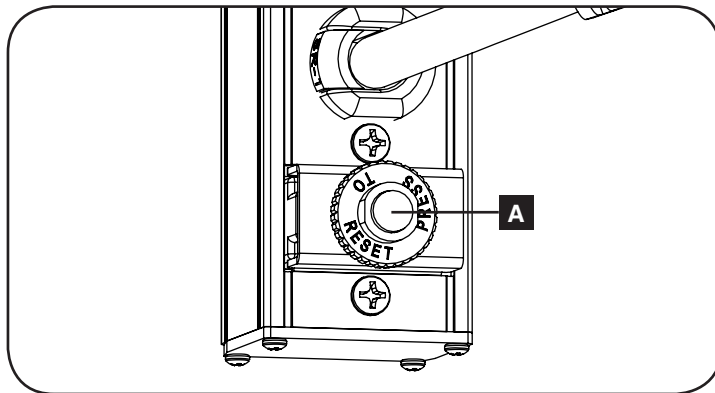
**Mise en garde! Lire toutes les instructions et les avertissements avant l'installation!**



**Avertissement :** Les stations de chargement peuvent être extrêmement lourdes. Ne pas tenter de déballer la station de chargement sans assistance. Suivre les instructions de déballage du manuel expédié avec ce produit avant de procéder à la configuration. Faire preuve de vigilance lors de la manutention de la station de chargement et s'assurer de respecter toutes les instructions concernant la manutention et l'installation. Ne pas tenter d'installer l'équipement sans d'abord stabiliser la station de chargement.

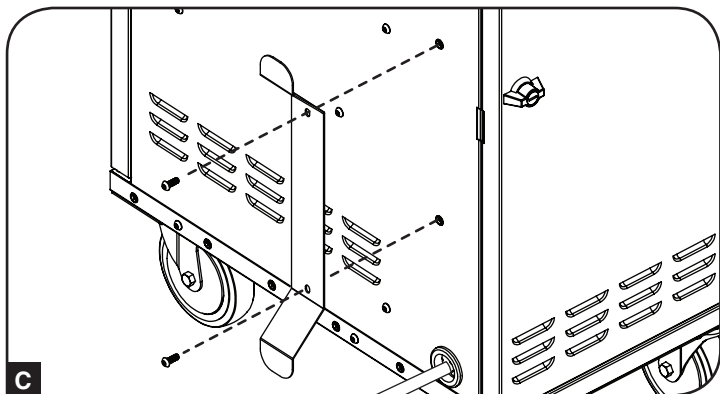
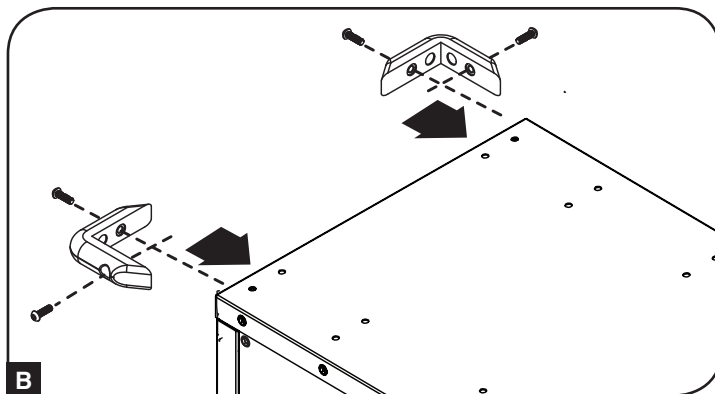
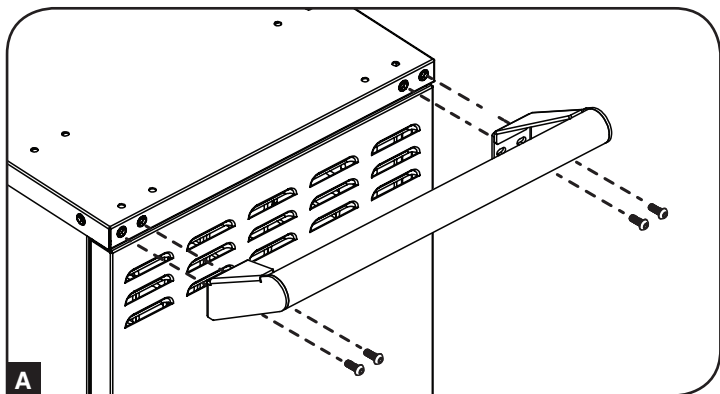
### 5.1 Besoins en matière d'alimentation

La station de chargement doit être branchée dans une prise CA munie d'un circuit spécialisé. Une prise CA avec un circuit de 20 ampères CA (NEMA 5-20R) est préférable pour alimenter la station de chargement. La prise CA utilisée pour alimenter la station de chargement ne doit pas être partagée. La puissance totale de la station de chargement et de tous les composants branchés ne devrait pas excéder 1 800 watts. L'unité de distribution de puissance CA est protégée par un disjoncteur d'entrée de 15 ampères **A**.



### 5.2 Installer le support de poignée, les pare-chocs de sécurité pour les coins et le guide du cordon d'alimentation

Pour installer le support de poignée, choisir un côté sur lequel installer le support (le même côté que le passe-fil du trou d'accès aux câbles et le guide du cordon d'alimentation est préférable). Utiliser la clé hexagonale incluse et quatre (4) vis hexagonales pour fixer le support de la poignée à l'armoire de la station de chargement **A**. Installer ensuite les deux parechocs supérieurs pour les coins en utilisant quatre (4) vis hexagonales (deux par parechoc) **B**. Pour installer le guide du cordon d'alimentation, utiliser deux (2) vis hexagonales pour le retenir du même côté que le passe-fil du trou d'accès aux câbles **C**.

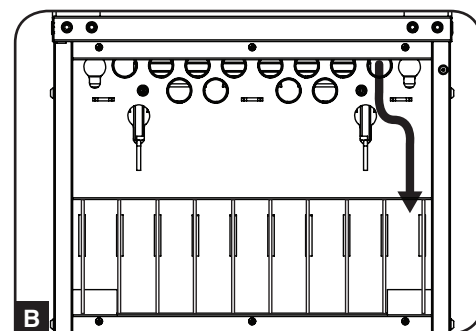
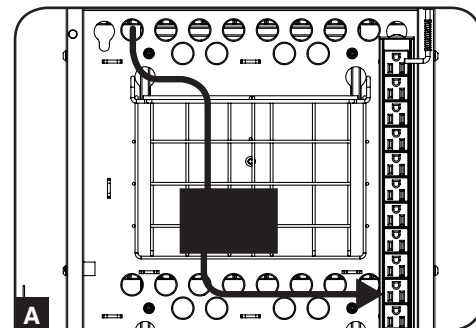


## 5. Configuration

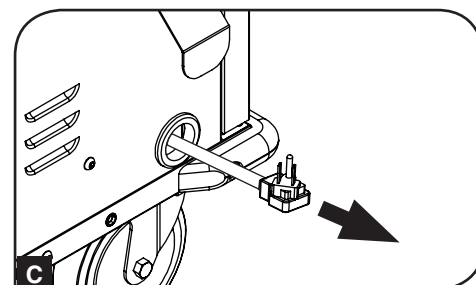
### 5.3 Connexion des dispositifs et mise sous tension de l'appareil CA

La station de chargement comporte trois paniers, un par étagère. Pour connecter les blocs d'alimentation externes de l'appareil, placer les blocs d'alimentation dans le panier. En travaillant avec un panier à la fois, brancher le bloc d'alimentation dans sa prise sur l'unité de distribution de puissance CA, puis acheminer le câble du dispositif et le connecteur à travers une fente d'un dispositif **A**, puis dans le guide du câble surélevé **B**. Répéter au besoin pour chaque fente.

**Remarque** : Les paniers sont amovibles pour faciliter l'installation des blocs d'alimentation externes.

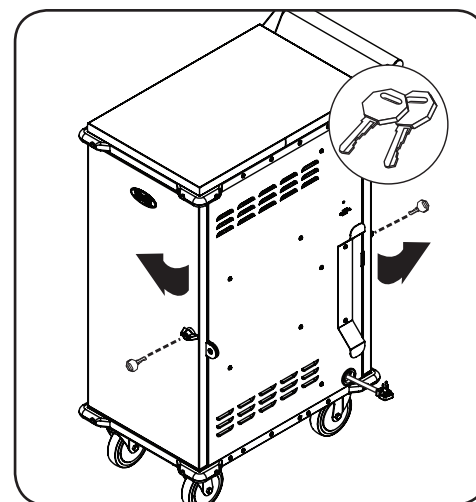


Raccorder tous les dispositifs et les placer sur leur étagère respective. Une fois tous les dispositifs raccordés et rangés, trouver la fiche d'entrée et le câble de l'appareil CA qui se trouvent dans le compartiment inférieur de la station de chargement. La prise d'entrée passe à travers le trou d'entrée de câble situé au bas de l'armoire de la station de charge **C**. Brancher le cordon d'alimentation dans la prise de courant à 3 broches mise à la masse la plus près.



### 5.4 Verrous de porte

Les portes comportent un verrou qui est accessible avec les clés incluses. Le loquet pour cadenas sur la porte avant fournit une mesure de sécurité supplémentaire contre le vol.



## 6. Caractéristiques techniques

Modèle	CSC21AC	CSC27AC
Dimensions de l'armoire (H x L x P)	1 099 x 447 x 751 mm / 43,3 x 17,6 x 29,6 po	
Poids de l'appareil	52,9 kg / 116,63 lb	53,5 kg / 118 lb
Capacité de charge	91 kg / 200 lb	
Prises CA	Unité de distribution de l'alimentation : 27 x 5-15R	
Besoins en matière d'alimentation	Sortie : 120 V CA, 50/60 Hz, 12 ampères	
Température de fonctionnement	0 à 40° C (32 à 104° F)	
Humidité de fonctionnement	5 à 95 % HR, sans condensation	

## 7. Entreposage, entretien et nettoyage

### Entreposage

Le boîtier doit être entreposé dans un environnement intérieur contrôlé, à l'écart de l'humidité, des températures extrêmes, des liquides et des gaz inflammables, des contaminants conducteurs, de la poussière et de la lumière directe du soleil. Entreposer le boîtier dans son conteneur d'expédition original si possible.

### Entretien

Le boîtier est couvert par la garantie limitée décrite dans ce manuel. Pour obtenir plus de renseignements, visitez [www.tripplite.com/support](http://www.tripplite.com/support).

### Nettoyage

Avant de nettoyer, toujours mettre la station de chargement hors tension en la débranchant de sa source CA. Au besoin, essuyer l'appareil avec un linge humide, propre et non pelucheux. Laisser sécher la surface avant de brancher l'appareil.

**Remarque :** Éviter l'utilisation de chiffons abrasifs, de solvants ou de pulvérisateurs aérosols pour nettoyer la station de chargement; cela risquerait d'endommager l'appareil.

## 8. Garantie

### Garantie limitée de 2 ans

Le vendeur garantit ce produit, s'il est utilisé conformément à toutes les instructions applicables, est exempt de tous défauts de matériaux et de fabrication pour une période de 2 ans à partir de la date d'achat initiale. Si le produit s'avère défectueux en raison d'un vice de matière ou de fabrication au cours de cette période, le vendeur s'engage à réparer ou remplacer le produit, à sa seule discrétion.

CETTE GARANTIE NE S'APPLIQUE PAS À L'USURE NORMALE OU AUX DOMMAGES RÉSULTANT D'UNE MAUVAISE UTILISATION, D'UN ABUS OU D'UNE NÉGLIGENCE. LE VENDEUR NE DONNE AUCUNE GARANTIE EXPRESSE AUTRE QUE LA GARANTIE EXPRESSÉMENT DÉCRITE DANS LE PRÉSENT DOCUMENT. SAUF DANS LA MESURE INTERDITE PAR LA LOI APPLICABLE, TOUTE GARANTIE IMPLICITE, Y COMPRIS TOUTES LES GARANTIES DE QUALITÉ MARCHANDE OU D'ADAPTATION, SONT LIMITÉES À LA PÉRIODE DE GARANTIE CI-DESSUS ET CETTE GARANTIE EXCLUT EXPRESSÉMENT TOUS DOMMAGES DIRECTS ET INDIRECTS. (Certains États ne permettent pas l'exclusion ou la limitation des dommages fortuits ou consécutifs, de sorte que les limitations ou exclusions susmentionnées peuvent ne pas s'appliquer à vous. Cette garantie vous donne des droits légaux spécifiques, et vous pouvez avoir d'autres droits qui varient selon la juridiction).

**AVERTISSEMENT :** L'utilisateur individuel doit prendre soin de déterminer avant l'utilisation si cet appareil est approprié, adéquat et sûr pour l'usage prévu. Puisque les utilisations individuelles sont sujettes à des variations importantes, le fabricant ne fait aucune déclaration ou garantie quant à l'aptitude ou l'adaptation de ces dispositifs pour une application spécifique.

### Numéros d'identification de conformité aux règlements

À des fins de certification et d'identification de conformité aux règlements, votre produit Tripp Lite a reçu un numéro de série unique. Ce numéro se retrouve sur la plaque signalétique du produit, avec les inscriptions et informations d'approbation requises. Lors d'une demande d'information de conformité pour ce produit, utilisez toujours le numéro de série. Il ne doit pas être confondu avec le nom de la marque ou le numéro de modèle du produit.

### Renseignements sur la conformité à la directive DEEE pour les clients de Tripp Lite et les recycleurs (Union européenne)



En vertu de la directive et des règlements d'application relatifs aux déchets d'équipements électriques et électroniques (DEEE), lorsque des clients achètent de l'équipement électrique et électronique neuf de Tripp Lite, ils ont droit :

- D'envoyer l'équipement usagé au recyclage pourvu qu'il soit remplacé par un équipement équivalent (cela varie selon les pays)
- De retourner le nouvel équipement afin qu'il soit recyclé à la fin de sa vie utile.

La politique de Tripp Lite en est une d'amélioration continue. Les caractéristiques techniques sont modifiables sans préavis.

