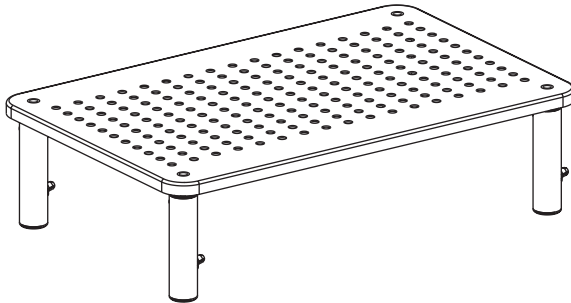


Assembly Instructions

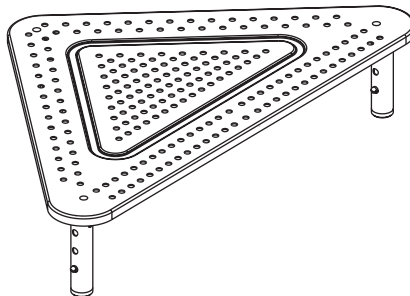
Height-Adjustable Monitor Riser, Metal

Model: MR1411M / MR1812M



Height-Adjustable Corner Monitor Riser, Metal

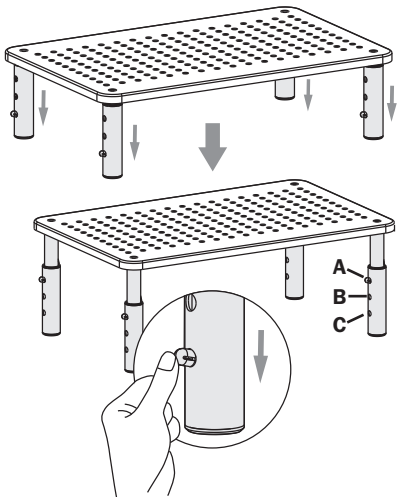
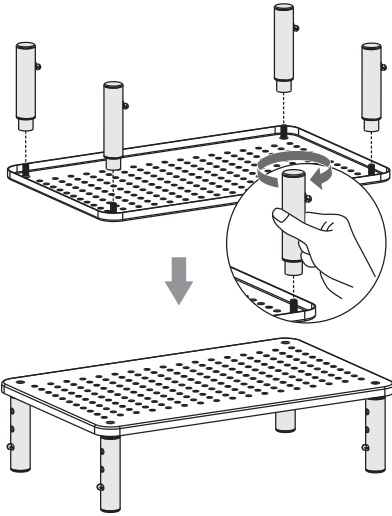
Model: MR1220M



1111 W. 35th Street, Chicago, IL 60609 USA • www.triplite.com/support

Copyright © 2018 Tripp Lite. All rights reserved.

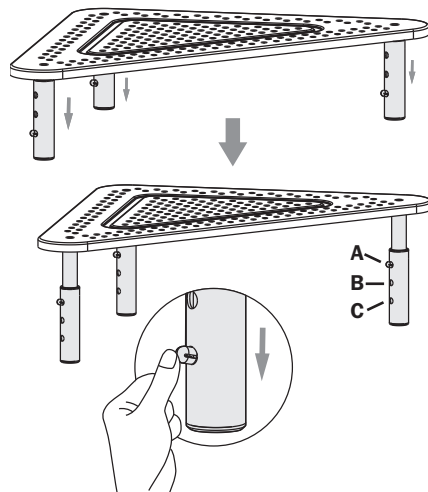
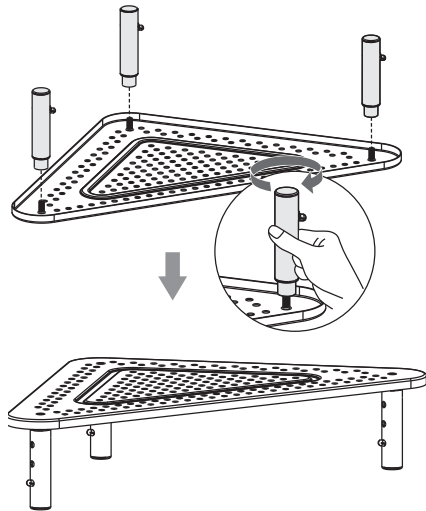
Model: MR1411M / MR1812M



Height Adjustment

Position	MR1411M	MR1812M
A	5.51" (140 mm)	5.91" (150 mm)
B	4.72" (120 mm)	5.11" (130 mm)
C	3.94" (100 mm)	4.33" (110 mm)

Model: MR1220M



Height Adjustment

Position	MR1220M
A	5.51" (140 mm)
B	4.72" (120 mm)
C	3.94" (100 mm)

Maintenance

- No maintenance required.
- Please visit www.tripplite.com if you have any questions.

Tripp Lite has a policy of continuous improvement. Specifications are subject to change without notice.



1111 W. 35th Street, Chicago, IL 60609 USA
www.tripplite.com/support