

# SHD-46VDE, SHD-46VDB INSTRUCTIONS

(Door Mullion Flush Mount)

## DESCRIPTION

The SHD-46VDx Kit provides an economical, integrated solution for any indoor flush mount application for Hanwha XNB-600I with SLA-T4680V lens head. Like all of our products, this mount is designed for quick, simple installation and servicing.

## SUGGESTED INSTALLATION EQUIPMENT

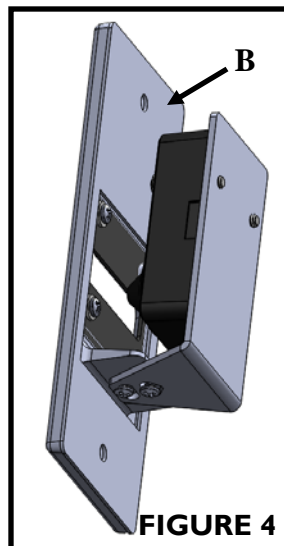
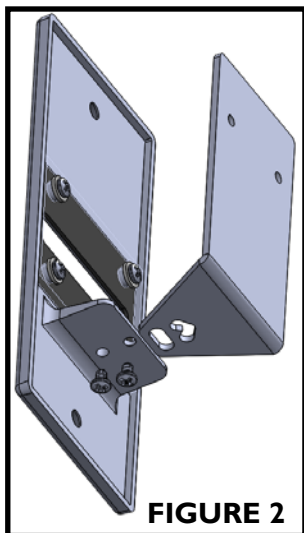
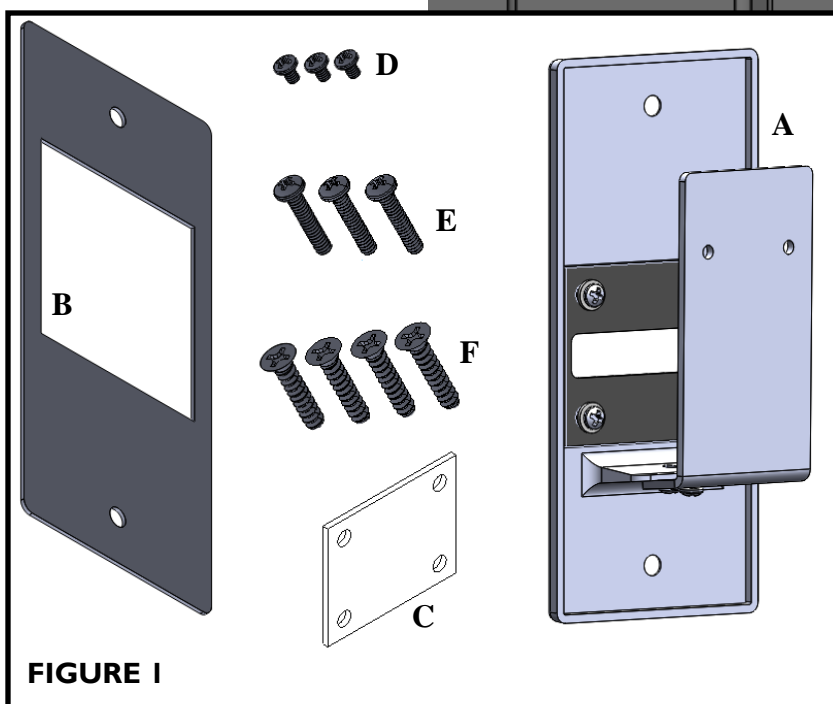
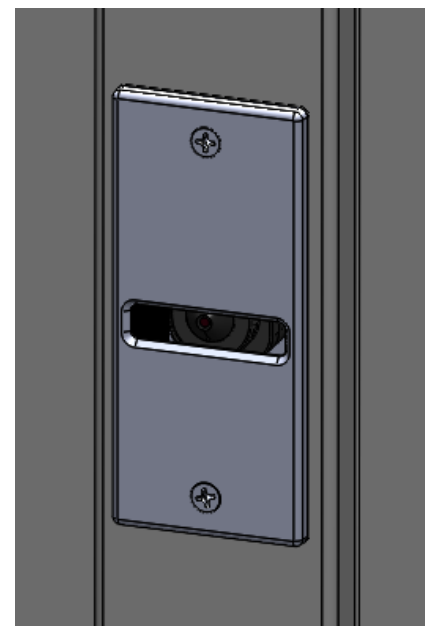
- Phillips Head Screwdriver
- #29 Drill Bit
- Tool to cut hole pattern

## COMPONENT LIST [FIGURE 1]

- A. Door Mullion Housing - 1
- B. Neoprene Mullion Gasket - 1
- C. Spare Camera Window - 1
- D. Spare M3 x 4mm Screws - 3
- E. M3 x 16mm Screws - 3
- F. 6-32 x 3/4" Screws - 3

## INSTALLATION

1. Carefully unpack box and verify that all components listed in the component list are included.
2. Locate desired installation location, use the included template to cut out the clearance hole and drill pilot holes for the mounting screws.
3. Remove the pivot bracket from the faceplate as seen in [FIGURE 2]
4. Route cable through hole in wall.
5. Secure the Hanwha camera to the pivot bracket using the provided screws (E) as seen in [FIGURE 3]
6. Secure pivot bracket back to faceplate and Install Neoprene Gasket (B) as seen in [FIGURE 4].
7. Make all necessary connections and secure faceplate to its location using the provided screws (F) as seen in [FIGURE 5]



# SHD-46VDE, SHD-46VDB INSTRUCTIONS

(Door Mullion Flush Mount)

## MECHANICAL PROPERTIES

- Housing: Cast Aluminum Alloy 380
- Camera Bracket: Steel
- Unit weight: 0.16 lbs without camera

## ENVIRONMENT

- Indoor

