

A solid green vertical bar is positioned to the left of the main title.

# User Manual

## 8/16-Port USB HDMI® KVMP Switch

---

GCS1808H/GCS1816H/GCS1808HKITU/GCS1816HKITU

PART NO. M1571/M1572/M1582/M1583



## Table of Contents

Package Contents	4
Overview	5
Requirements	6
Operating Systems	7
Features	8
Overview	10
Hardware Setup	12
Basic Operation	14
Single Stage Installation	16
Keyboard Emulation	46
Firmware Management Utility	48
GCS1808H / GCS1816H Connection Tables	54
Safety Instruction	56
Factory Default Hotkeys and Settings	58
EMC Information	59
Limited Warranty	60
Contact	60

## Package Contents

### GCS1808H/GCS1816H

- 1 x 8/16-Port USB HDMI KVMP Switch
- 2 x Custom USB HDMI KVM cable sets (G2L802U)
- 1 x Firmware Upgrade Cable
- 1 x Power Adapter
- 1 x Footpad set (4 pcs)
- 1 x Quick Start Guide
- 1 x Rack Mounting Kit

### GCS1808HKITU/GCS1816HKITU

- 1 x 8/16-Port USB HDMI KVMP Switch
- 8/16 x Custom USB HDMI KVM cable sets (G2L802U)
- 1 x Firmware Upgrade Cable
- 1 x Power Adapter
- 1 x Footpad set (4 pcs)
- 1 x Quick Start Guide
- 1 x Rack Mounting Kit

## Overview

IOGEAR's GCS1808H/GCS1816H 8/16-Port USB HDMI KVM Switch is a multi-purpose peripheral sharing switch that consolidates access and control of up to 8/16 HDMI computers from a single USB keyboard, USB mouse, and monitor console. From a single console, the GCS1808H can be cascaded up to three levels – to control up to 512 computers and the GCS1816H can be cascaded up to two levels – up to 256 computer.

IOGEAR's 8/16-Port USB HDMI KVM Switch also features multi-display functionality, which enables the use of standard USB cables to stack up to 8 GCS1808H/GCS1816H switches in a multi-display installation where each computer is fitted with multiple video cards. Furthermore, the GCS1808H/GCS1816H comes with IOGEAR's Video DynaSync™ technology, optimizing display resolution when booting or switching.

Switch to any connected computer can be done via 3 convenient methods:

- 1) Using the pushbutton port selection located on the front panel,
- 2) Entering Hotkey combinations from the keyboard,
- 3) Selecting from On-Screen Display (OSD) menu.

Auto Scan feature enables automatic scanning and monitoring of all computers on the installation, one by one.

IOGEAR's GCS1808H/GCS1816H provides multimedia keyboard and audio support. Enjoy 2.1 surround sound output of each computer on two sets of speakers (one at a time basis).

IOGEAR's GCS1808H/GCS1816H is Plug-N-Play. There is no software or driver for configuration, no installation routines, and no incompatibility problems. Simply connect the included KVM cables into their appropriate ports. The GCS1808H/GCS1816H intercepts keyboard input directly and works on multiple operating platforms (PC compatible, Mac, Sun, etc.)

Since a single console manages all of the computers in the installation, a GCS1808H/GCS1816H switch setup:

- 1) Eliminates the expense of having to purchase a separate keyboard, monitor, and mouse for each computer,
- 2) Saves all the space extra components will take up,
- 3) Saves energy costs, and
- 4) Eliminates the inconvenience and wasted effort involved in constantly moving from one computer to another.

### Note:

The GCS1808H/GCS1816H offers two types of installation:

- 1) Single stage (stand-alone) or cascade installation
- 2) Multi-display installation (requiring different cabling setups). This function is not available in single stage or cascade installation

Mac and Sun computers must use the USB cable connections.

## Requirements

### Console

- An HDMI monitor  
**Note:** For multi-display installations, multiple monitors are required
- A standard wired 2 or 3-button USB mouse
- A standard wired 104 key USB keyboard
- Speakers (optional)

### Computers

- An HDMI port  
**Note:**
  - 1) The display quality depends on the quality of the HDMI display card and quality-length of the cables. For best results, we recommend that a high quality display card and IOGEAR's KVM cable set are used.
  - 2) For multi-display installations, the computers/sources require multiple HDMI display cards.
- Type-A USB port
- Speaker ports (optional)

### Cables

We recommend using IOGEAR's USB HDMI KVM Cable Set (G2L802U) for this installation. This cable set is specifically designed to work with the GCS1808H/GCS1816H. Two cable sets are included in this package. The display quality depends on the quality of the graphic card and the length and quality of the cables. Please contact your dealer to purchase additional cable sets for the installation.

For multi-display installations, additional USB Type-A to USB Type-B cables and HDMI cables are also required.

**Note:** The GCS1808H/GCS1816H supports speaker ports only. Use only the speaker connector from the KVM cable sets, not the microphone connector from the KVM cable sets.

## Operating Systems

OS		Version
Windows		2008 / 2012 / 2016 / Vista / 7 / 8 / 10
Linux	RedHat	9.0 and higher
	SuSE	10 / 11.1 and higher
	Debian	3.1 / 4.0
	Ubuntu	7.04 / 7.10
UNIX	AIX	4.3 and higher
	FreeBSD	5.5 and higher
	Sun	Solaris 8 and higher
Novell	Netware	6.0 and higher
Mac		OS 9 to 10.x

**Note:**

1. Supports Linux Kernel 2.6 and higher
2. GCS1808H and GCS1816H supports PCs or Operating Systems with USB 2.0

## Features

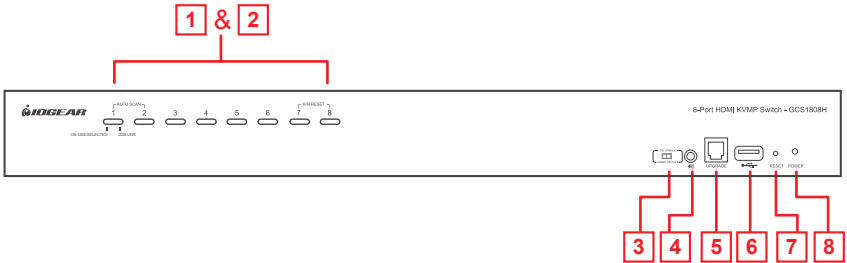
- One USB console controls up to 8 (GCS1808H) or 16 (GCS1816H) HDMI interfaced computers and share two USB 2.0 peripheral devices.
- Computer selection via front panel pushbuttons, hotkeys, and multilingual On-Screen Display (OSD)
- Control up to 512 computers by cascading up to 3 levels of GCS1808H<sup>1</sup>
- Control up to 256 computers by cascading up to 2 levels of GCS1816H<sup>2</sup>
- Built-in 2-Port USB 2.0 Hub<sup>3</sup>
- Multi-display feature allows display video up to 8 monitors (multi-display) by stacking up to 8 GCS1808H/GCS1816H units
- Independent switching of KVM and USB focus
- OSD Backup / Restore feature – enables administrator to back up the switch's configuration and user profile information
- Video DynaSync™<sup>4</sup> eliminates boot-up display problems and optimizes resolution when booting or switching between ports
- HD video quality – 480i, 480p, 720p, 1080i, and 1080p (1920 x 1200)
- Supports widescreen resolutions
- Full bass response provides a rich 2.1 channel surround sound experience
- Console audio ports on front panel of the switch for easy access
- Auto Scan Mode
- HDCP compatible
- Multiplatform support – Windows®, Linux®, Mac®, Sun®
- Console mouse port emulation supports most mouse drivers and multifunction mice
- Complete keyboard emulation for error-free booting
- Mac/Sun keyboard support and emulation<sup>5</sup>
- Multilingual OSD supports English, German, Japanese, Traditional Chinese, Simplified Chinese, Spanish, Russian, and French
- Multilingual keyboard mapping supports English (US), English (UK), French, German, Japanese, Korean, Traditional Chinese, and Spanish
- HDMI input connectors equipped with screw lock for secure connection<sup>6</sup>
- Firmware upgradable

### Note:

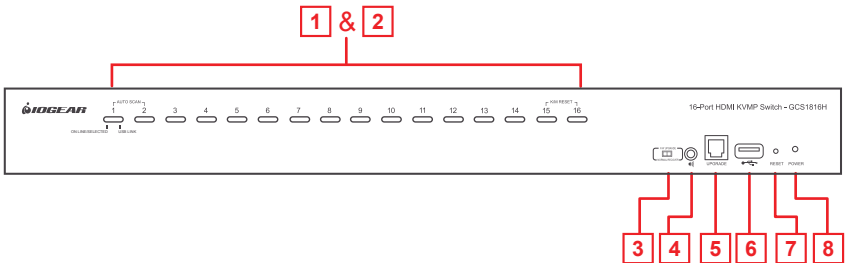
1. GCS1808H cascade to GCS1808H only
2. GCS1816H cascade to GCS1808H or GCS1816H
3. Built-in USB2.0 Hub cannot be accessed through the switch from computers on the 2nd or 3rd level of cascaded installation
4. IOGEAR's DynaSync™ Display Emulation Technology provides the DDC support for Windows® 7
5. For PC compatible computers, Mac and Sun computers must use the USB connections PC keyboard combinations emulate Mac/Sun keyboards; Mac/Sun keyboards work only with their own OS
6. Cable Lock is not included in the package



## GCS1808H Front View



## GCS1816H Front View

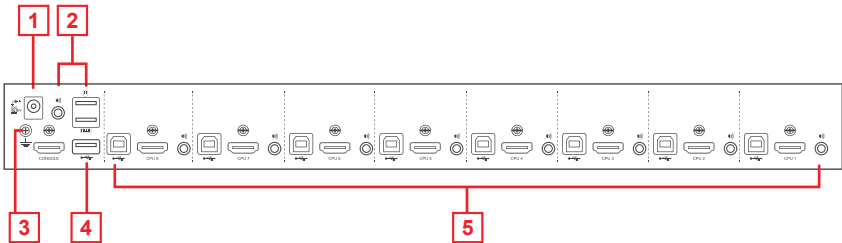


## Overview

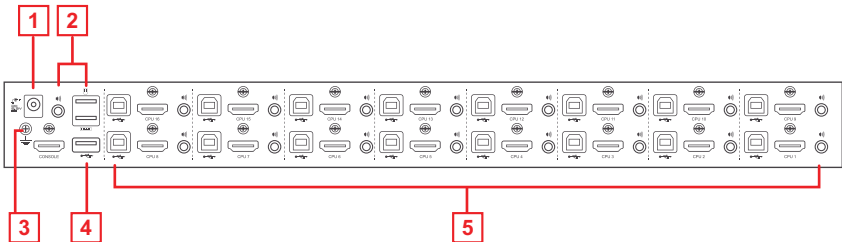
No.	Component	Description
1	Port Selection Pushbuttons	<p>For manual port selection:</p> <ul style="list-style-type: none"> <li>• Press a port selection pushbutton for less than 2 seconds to bring the KVM, USB hub, and Audio focus to the computer connected to its corresponding port</li> <li>• Press a pushbutton for longer than 2 seconds to bring the KVM and Audio focus to the computer connected to its corresponding port</li> <li>• Press pushbuttons <b>1</b> and <b>2</b> simultaneously for 2 seconds to start <i>Auto Scan Mode</i></li> <li>• Press pushbutton <b>7</b> and <b>8</b> (on GCS1808H) or <b>15</b> and <b>16</b> (on GCS1816H) simultaneously for 2 seconds to perform a <i>Keyboard and Mouse Reset</i>.</li> </ul> <p><u>Note:</u> Mouse emulation must be enabled for independent switching to work (see page 44 for more details)</p>
2	Port LEDs	<p>Port LEDs are built into the Port Selection Switches. The left ones are the KVM Port LEDs; the right ones are the USB LEDs:</p> <p><b>KVM LEDs</b></p> <ul style="list-style-type: none"> <li>• Lights DIM ORANGE - indicates that the computer connected to the corresponding port is up and running (<b>On Line</b>)</li> <li>• Flashes – indicates that <i>Firmware Upgrade</i> mode is in effect</li> <li>• Lights BRIGHT ORANGE – indicates that the computer connected to its corresponding port has the KVM focus (<b>Selected</b>)</li> <li>• Flashes – indicates that the computer connected to its corresponding port is being accessed under <i>Auto Scan Mode</i></li> </ul> <p><b>USB LEDs</b></p> <ul style="list-style-type: none"> <li>• Lights GREEN - indicates that the computer connected to its corresponding port has access to the USB peripherals</li> </ul>
3	Firmware Upgrade Recovery Switch	<p>During normal operation and while performing a <i>Firmware Upgrade</i>, this recovery switch should be in the <b>NORMAL</b> position. If a <i>Firmware Upgrade</i> operation does not complete successfully, this switch will be used to perform a <i>Firmware Upgrade</i> recovery. See <b>Firmware Upgrade Recovery</b> for details</p>
4	Audio Port	<p>Connect main speaker set to this audio port. Speakers connected to this port have priority over the ones connected to the audio port on the rear panel</p>
5	Firmware Upgrade Port	<p>Connect the included firmware upgrade cable to this RJ-11 port to perform firmware update. Firmware upgrade data will be transferred from the administrator's computer to the GCS1808H/GCS1816H using this connection</p>

6	USB 2.0 Hub	<p>Connect the USB 2.0 peripherals (printers, scanners, etc.) to this USB 2.0 port (external power adapter may be required)</p> <p><b>Note:</b> The USB 2.0 hub can only be accessed through the switch from sources on the 1st level of cascaded installation</p>
7	Reset Switch	<p>System reset can be performed by pressing this reset switch. When system is reset, the GCS1808H/GCS1816H beeps and the port LEDs flash in succession until the reset is complete. Please wait until reset is complete to login back to the OSD menu.</p> <p><b>Note:</b> The reset switch is recessed and must be pushed using a small object, such as the end of a paper clip or a ballpoint pen</p>
8	Power LED	<p>Lights up – indicates that the GCS1808H/GCS1816H is powered up and ready to operate</p>

### GCS1808H Rear View



### GCS1816H Rear View



No.	Component	Description
1	Power Jack	Connect the included power adapter to this power jack
2	Console Port Section	Connect the console HDMI monitor, the USB keyboard, USB mouse, and secondary speakers set into this section. Each port is marked with the appropriate icons
3	Grounding Terminal	Connect grounding wire here (optional) to ground the GCS1808H/ GCS1816H
4	USB 2.0 Hub	Connect the USB 2.0 peripherals (printers, scanners, etc.) to this USB 2.0 port (external power adapter may be required)  <u>Note:</u> The USB 2.0 hub can only be accessed through the switch from sources on the 1st level of cascaded installation
5	KVM Port Sections	Connect sources to these sections. Each KVM port section is comprised of a speaker jack, a USB Type-B socket, and an HDMI connector with screw lock. We recommend using IOGEAR's USB HDMI KVM Cable Set ( <b>G2L802U</b> ) for this installation

## Hardware Setup

### Overview

IOGEAR's GCS1808H/GCS1816H package comes with 2 set of USB HDMI KVM cable sets (G2L802U) and GCS1808HKITU/GCS1816HKITU package comes with 8/16 set of USB HDMI KVM cable sets (G2L802U). Please contact your dealer to order additional KVM cables, as separate custom USB HDMI KVM cable is required for each computer connection.

### Installation Types

IOGEAR's GCS1808H/GCS1816H offers 2 types of installation:

- 1) Single Installation or Cascade Installation – controlling up to 256 or 512 computers on one monitor
- 2) Multi-display Installation - controlling up to 7 or 15 computers on multiple monitors

Since multi-display installation requires different cabling setups, installation type 1) and type 2) will not be available in conjunction (or together).

### Before You Begin



1. Important safety information regarding the placement of this device is provided on page 56. Please review it before proceeding
2. Please make sure that all devices that will be part of the installation are in OFF mode. Power cords of computer with keyboard on must be disconnected.

## Stacking and Rack Mounting

IOGEAR's GCS1808H/GCS1816H can be stacked on the desktop or rack mounted at the front or rear of a 19" rack. The following sections will further detail the procedures of each method.

### Note:

1. When rack mounting, allow at least 2" on each side for adequate ventilations and 5" at the rear for power cord and cable clearance
2. The standard rack mounting kit does not include the screws or cage nuts. Please contact your rack mount dealer for additional screw or cage nuts.

## Stacking

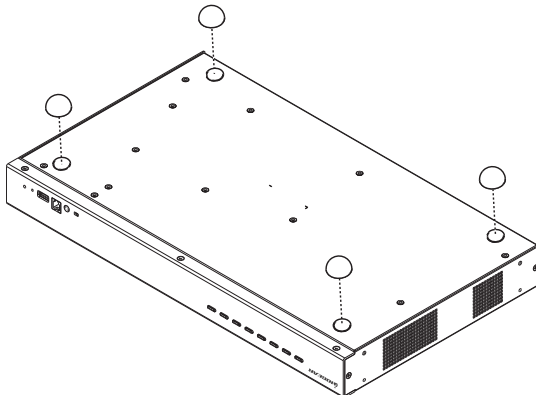
The GCS1808H/GCS1816H can be placed on any surface level that can safely support its weight and the weight of the attached cables. Please make sure that the surface is clean and free of any materials that can block the exhaust vents or otherwise interfere with normal operation of the switch.

To place the GCS1808H/GCS1816H or to stack them in cascading setup, please use the included 4 piece of rubber footpads as shown below

## Stacking

The GCS1808H/GCS1816H can be placed on any surface level that can safely support its weight and the weight of the attached cables. Please make sure that the surface is clean and free of any materials that can block the exhaust vents or otherwise interfere with normal operation of the switch.

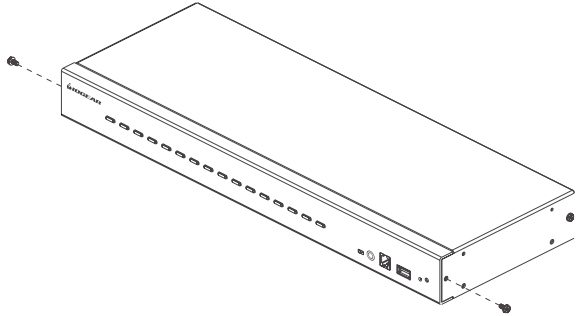
To place the GCS1808H/GCS1816H or to stack them in cascading setup, please use the included 4 piece of rubber footpads as shown below



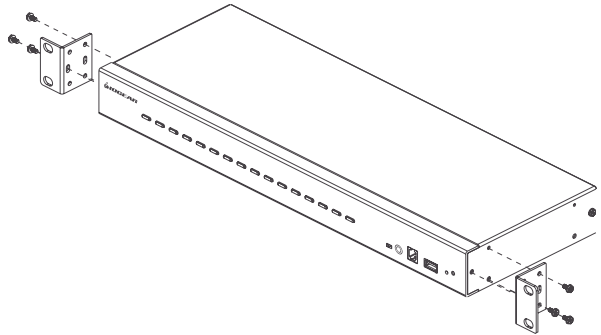
## Basic Operation

### Rack Mounting – Front

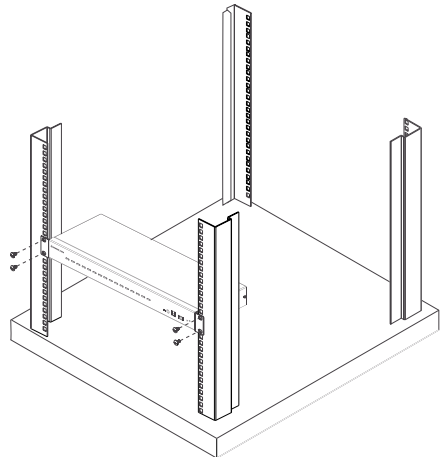
1. Remove the screws, one each from the left and the right sides of the switch near the front of the switch



2. Use the M3 x 8 Phillips hex head screws supplied with the rack mounting kit to screw the rack mounting brackets into the sides near the front of the switch

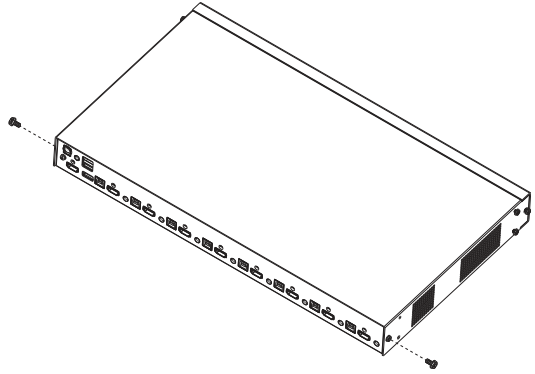


3. Place the KVM switch into the rack. Position the switch so that the holes in the mounting brackets line up with the holes in the rack. Secure the mounting brackets to the front of the rack

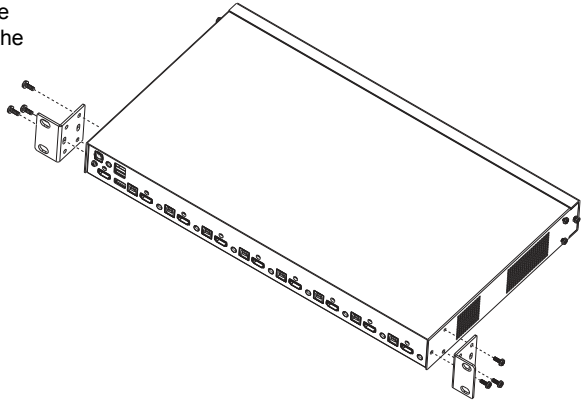


## Rack Mounting – Rear

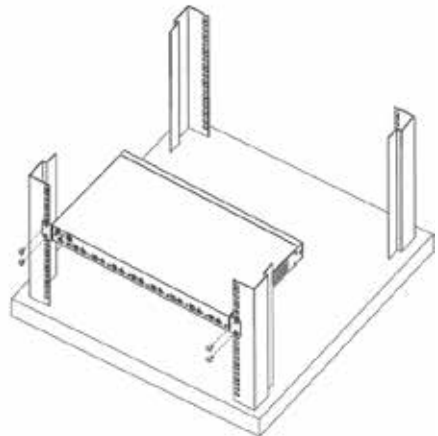
1. Remove the screws, one each from the left and the right sides of the switch near the rear of the switch



2. Use the M3 x 8 Phillips hex head screws supplied with the rack mounting kit to screw the rack mounting brackets into the sides near the rear of the switch



3. Place the KVM switch into the rack. Position the switch so that the holes in the mounting brackets line up with the holes in the rack. Secure the mounting brackets to the rear of the rack



## Single Stage Installation

Please make sure that all devices including all preexisting devices on the installation are in OFF mode. Please refer to the installation diagram on page 17 to setup *Single Stage* GCS1808H/GCS1816H and follow below procedures:

1. Connect the USB keyboard and USB mouse into the USB console ports located on the unit's rear panel
2. Connect the HDMI monitor into the HDMI console port and turn the monitor power ON
3. Connect the main speakers set into the speaker jack located on the unit's front panel. Speaker sets connected into this port have priority over the ones connected into the rear panel
4. Connect the secondary speakers set into the audio port located on the unit's rear panel
5. Using the provided custom USB HDMI KVM cable sets, connect the HDMI connector to any available HDMI socket in the KVM port section located on the unit's rear panel. Then, connect the accompanying USB and audio connectors into their corresponding USB and speaker sockets.

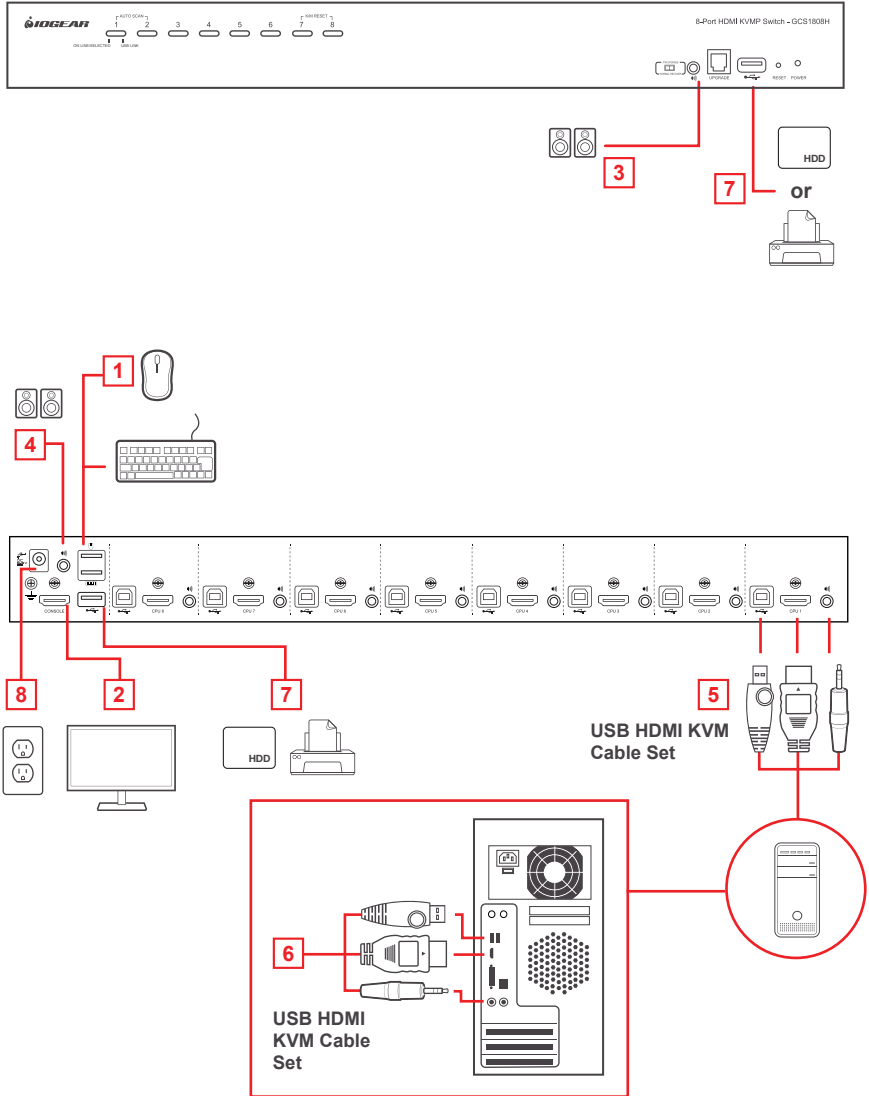
Note:

1. Verify that all cables are in the same KVM port sockets (all in Port 1, all in Port 2, etc.)
2. The GCS1808H/GCS1816H only support speaker ports. Do not connect the microphone connector to the speaker port.
6. At the other end of the cable, connect the USB, video, and speaker cables into their respective ports on the computer source
7. Connect the USB peripherals into the USB Type-A port in the USB hub section
8. Connect the power adapter that came with the package, into an AC power source, then connect the power adapter cable to the switch's Power Jack
9. Turn all computer sources on.

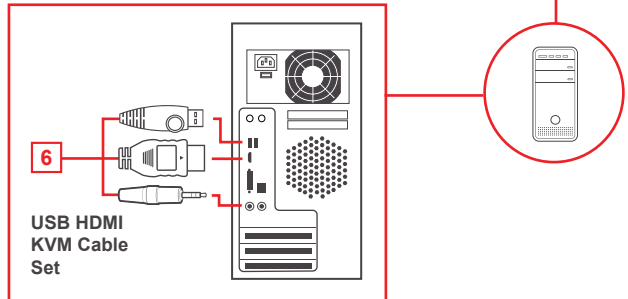
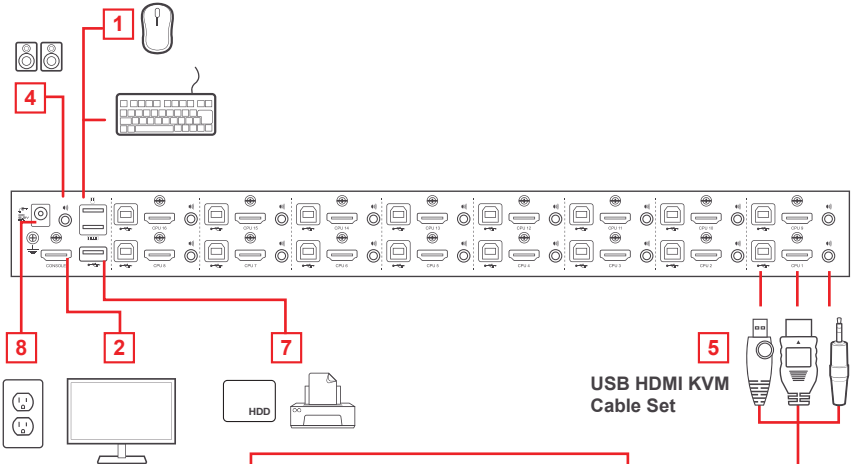
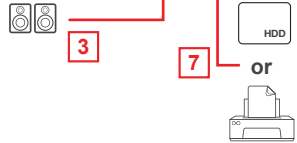
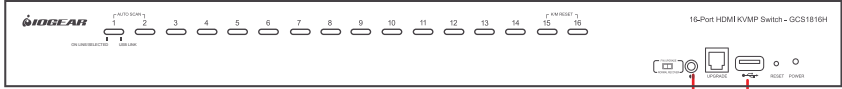


# Single Stage Installation Diagram

## GCS1808H



# GCS1816H



## Two Stage (Cascade) Installation

To control more than 8/16 computers, additional GCS1808H/GCS1816H can be cascaded from the KVM ports of the *First Stage* unit. The cascaded GCS1808H/GCS1816Hs that will be cascaded to the *First Stage* unit are considered as *Second Stage* units. As many as 64 computers (using cascaded GCS1808H) or 256 computers (using cascaded GCS1816H) can be controlled in a complete *Two Stage* installation. A table showing the relation between the number of computers and the number of units needed to control them is provided on page 54

Please make sure that all devices including all preexisting devices on the installation are in OFF mode. Please refer to the installation diagram on page 20 to setup *Two Stage* GCS1808H/GCS1816H and follow below procedures:

1. Connect the USB keyboard and USB mouse into the USB console ports located on the unit's rear panel
2. Connect the HDMI monitor into the HDMI console port and turn the monitor power ON
3. Connect the main speakers set into the speaker jack located on the unit's front panel. Speaker sets connected into this port have priority over the ones connected into the rear panel
4. Connect the secondary speakers set into the audio port located on the unit's rear panel
5. Using the provided custom USB HDMI KVM cable sets, connect any available KVM port from the *First Stage* GCS1808H/GCS1816H to the Console ports of the *Second Stage* GCS1808H/GCS1816H.

**Note:**

Connect the USB Type-A connector into the lower USB keyboard port on the Console section

6. Using a different set of custom USB HDMI KVM cable sets, connect the HDMI connector to any available HDMI socket in the KVM port section located on the *Second Stage* unit's rear panel. Then, connect the accompanying USB Type-B, and speaker connectors into their corresponding USB and speaker sockets.

**Note:**

1. Verify that all cables are in the same KVM port sockets (all in Port 1, all in Port 2, etc.)
  2. The GCS1808H/GCS1816H only support speaker ports. Do not connect the microphone connector to the speaker port.
7. At the other end of the cable, connect the USB Type-A, video, and speaker cables into their respective ports on the computer source
  8. Repeat steps 6 and 7 for any other computers that will be part of the installation
  9. For the *Second Stage* unit, connect the power adapter, that comes with the package,

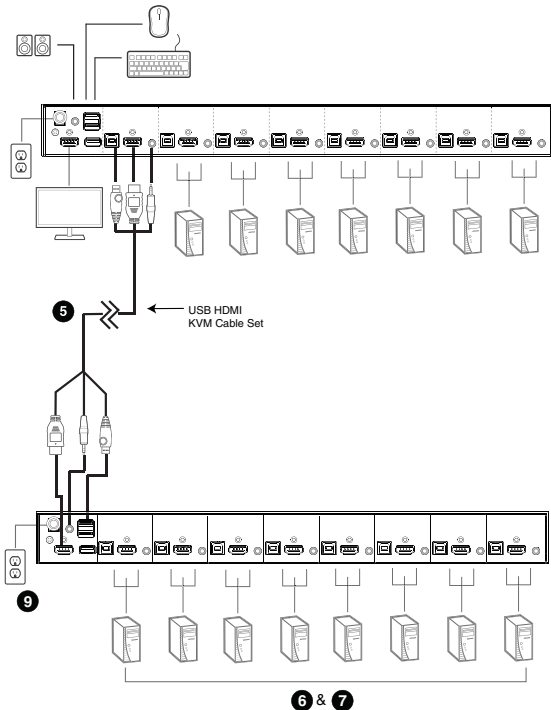
into an AC power source, then connect the power adapter cable into the switch's Power Jack

10. For the *First Stage* unit, connect the power adapter, that came with the package, into an AC power source, then connect the power adapter cable into the switch's Power Jack
11. Turn all computer sources on

Note:

1. Power sequence requires that all *Second Stage* units be powered ON first. After all *Second Stage* units are powered on, then power on all the *First Stage* units. After the *Second* and *First Stage* units are powered on, then the sources can be powered on.
2. The USB 2.0 hub can only be accessed through the switch from computer sources on the 1st level of a cascaded installation

### Two Stage Installation Diagram



### Three Stage (Cascade) Installation (only for GCS1808H)

The steps for setting up a *Three Stage* installation are essentially the same as for a *Two Stage* installation. Using the GCS1808H (GCS1816H installation cannot exceed *Two Stage*) in a *Three Stage* setup, as many as 512 computer can be controlled in a complete installation. A table showing the relation between the number of computers and the number of units needed to control them is provided on page 54

Note:

1. The GCS1808H cannot exceed *Three Stage* level cascade and the GCS1816H cannot exceed *Two Stage* level
2. The GCS1808H can only be cascaded with another GCS1808H. The GCS1816H (set as the *First Stage* unit) can be cascaded with either GCS1808H or GCS1816H.

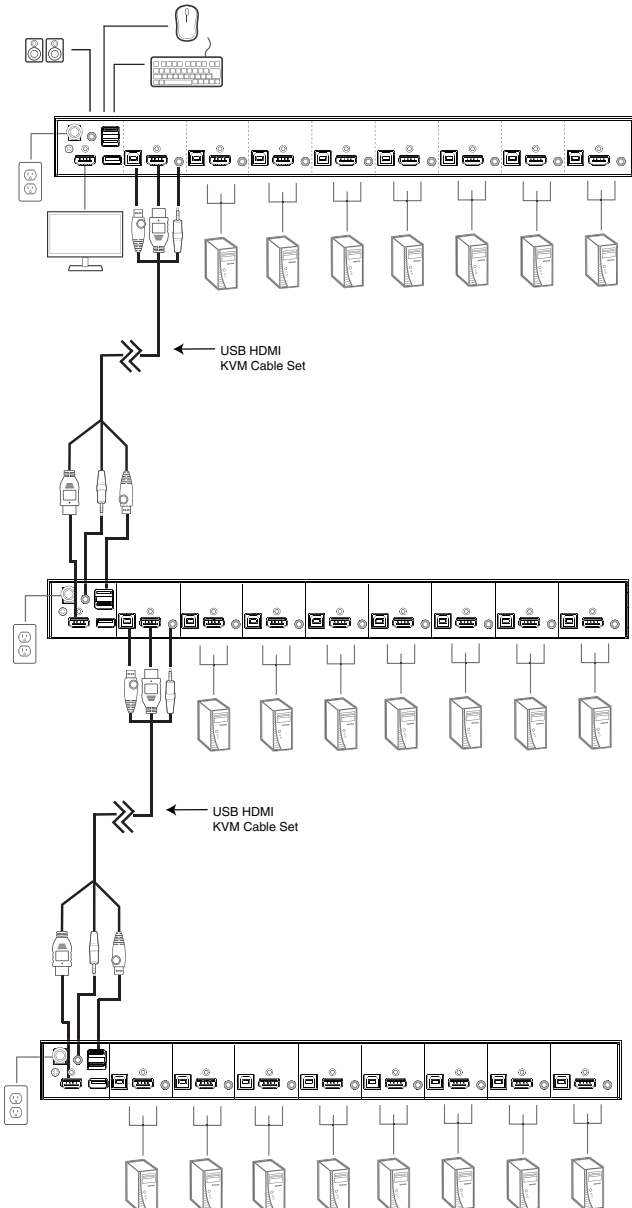
Once all cable connections are installed (please refer to *Two Stage* Cascade on page 19), then turn power ON based on the following sequence:

1. For the *Third Stage* unit, connect the power adapter, that came with the package, into an AC power source, then connect the power adapter cable into the switch's Power Jack
2. For the *Second Stage* unit, connect the power adapter, that came with the package, into an AC power source, then connect the power adapter cable into the switch's Power Jack
3. For the *First Stage* unit, connect the power adapter, that came with the package, into an AC power source, then connect the power adapter cable into the switch's Power Jack
4. Turn all computer sources on

Note:

1. Power sequence requires that all *Third Stage* units be powered ON first. After all *Third Stage* units are powered on, then power on all the *Second Stage* units. After all *Second Stage* units are powered on, then power on all the *First Stage* units. After the *Third*, *Second* and *First Stage* units are powered on, then all sources can be powered on.
2. The USB 2.0 hub cannot be accessed through the switch from computer sources on the 2nd or 3rd level of a cascaded installation

## Three Stage Installation Diagram



## Multi-Display Installation

IOGEAR's GCS1808H/GCS1816H supports multi-display feature, allowing installation up to 8 monitors by stacking up to 8 units and controlling up to 7 (GCS1808H) or 15 (GCS1816H) computers at once. This installation requires different cabling compared to standard cascade. This setup offers an extra level of switching flexibility for multiple-monitors installations where each computer source is fitted with multiple video cards.

### Note:

In a multi-display installation, the GCS1808H can only be stacked with other GCS1808H units and the GCS1816H can only be stacked with other GCS1816H units.

### **Cable Connections for Multi-Display Installation**

Please make sure that all devices including all preexisting devices on the installation are in OFF mode. To setup multi-display installation, please refer to the installation diagram on the next page and follow below steps:

1. Connect the USB keyboard and USB mouse into the USB console ports located on the *First Stage* unit's rear panel
2. Connect an HDMI monitor to the console section of the *First Stage* unit
3. Connect the main speakers set into the speaker jack located on the *First Stage* unit's front panel. Speaker sets connected into this port have priority over the ones connected into the rear panel
4. Connect the secondary speakers set into the audio port located on the *First Stage* unit's rear panel
5. Using the provided custom USB HDMI KVM cable sets, connect the HDMI connector to any available HDMI socket in the KVM port section located on the unit's rear panel. Then, connect the accompanying USB and audio connectors into their corresponding USB and speaker sockets.

### Note:

1. Verify that all cables are in the same KVM port sockets (all in Port 1, all in Port 2, etc.)
  2. The GCS1808H/GCS1816H only support speaker ports. Do not connect the microphone connector to the speaker port.
6. Using a standard USB Type-A to Type-B cable, connect **Port 8** USB Type-B ports on the *First Stage* unit to the USB Type-A port in the Console section on the *Second Stage* unit.

### Note:

**Port 8** is designed to connect the units in a multi-display installation. Up to 7 (GCS1808H) or 15 (GCS1816H) computers can be connected and controlled, using KVM Ports 1-7 (GCS1808H) or Ports 1-7 / 9-16 (GCS1816H)

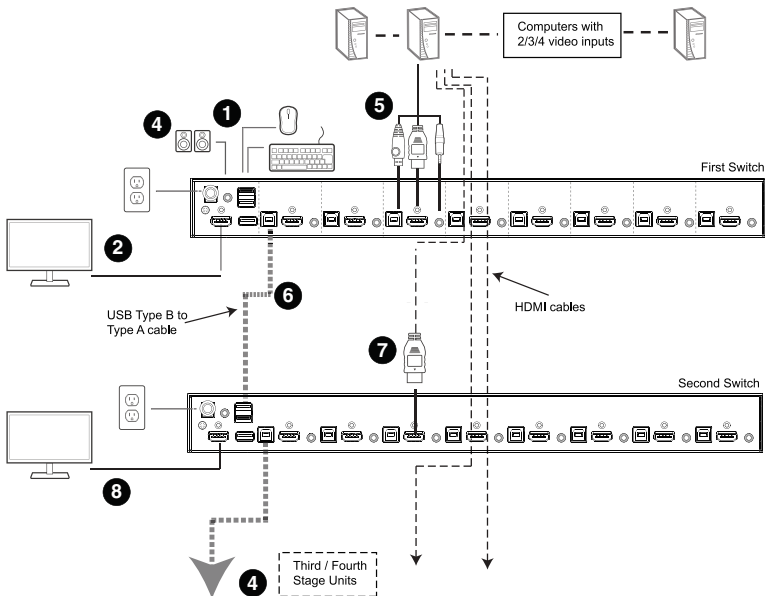
- Using a separate HDMI cable, connect the HDMI KVM port from the *Second Stage* GCS1808H/GCS1816H to the second video input on the computer source.

Note:

Only HDMI video cables are needed for this installation – other ports in KVM section are not required in this installation

- Connect an HDMI monitor to the console section of the *Second Stage* unit
- Repeat steps 6-8 for any additional units, up to a total of 8 GCS1808H/GCS1816H
- Please make sure that all Audio and peripheral devices are connected to the *First Stage* switch.
- Turn ON the GCS1808H/GCS1816H units, starting with the *First Stage* unit. Then turn all computer sources

### Multi-display Installation Diagram





## Grouping ports into “Vertical” Channels

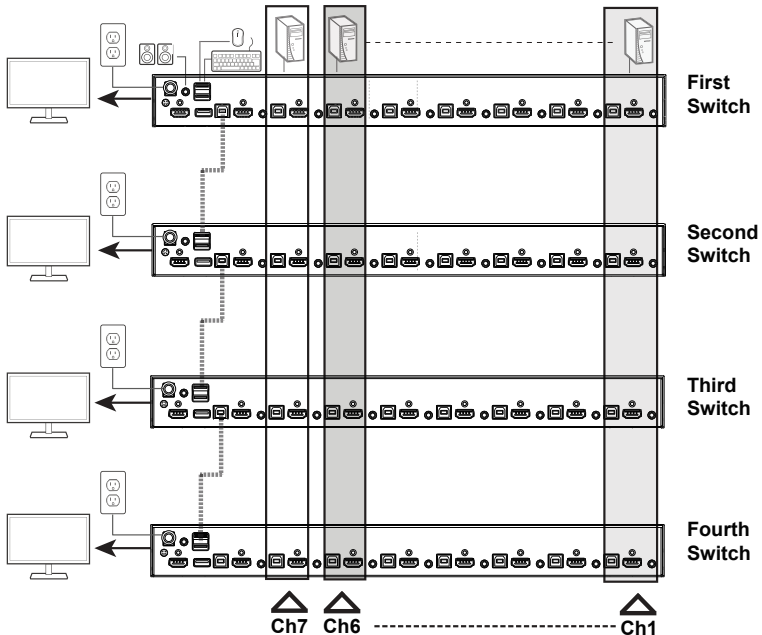
Once all cables have been connected and Multi-Display mode has been selected from the On-Screen Display (OSD), the GCS1808H/GCS1816H will auto-detect the channels and display mode. Users can then assign channel number as the power name (the channels are represented by the vertical columns in the diagram below). Therefore, all Port 1s become Channel 1, all Port 2s become Channel 2, and so on. The ports will be switched together or at the same time, channel by channel.

Depending on the number of Stage in the installation, GCS1808H/GCS1816H installation offers dual display (two stages), triple display (three stage), quad-display (four stages), up to multi-display (up to 8 stages) setup. For reference purposes, the example below shows a four-stage installation with quad-display functionality

### Note:

Only one HDMI video signal can be displayed at a time, depending on the configuration of the GCS1808H/GCS1816H on the *First Stage* unit.

## Channels Diagram for Quad-Display Setup



# Basic Operation

## Hot Plugging

IOGEAR's GCS1808H/GCS1816H supports hot plugging – components can be removed and connected back into the installation by unplugging and plugging cables from and to the ports, without the need to turn the devices down. In order for hot plugging to work properly, please follow below procedures:

### Hot Plugging KVM Ports

In order for the OSD menu to correspond to the KVM port changes, the OSD must be manually reconfigured to reflect the new port information. Please refer to **F3: SET** (on page 31) and **F4: ADM** (on page 33) functions for details.

Note: If the computer's operating system does not support hot plugging, this function may not work properly

### Hot Plugging Console Ports

The keyboard, monitor, and mouse can all be hot-plugged.

When hot-plugging the mouse:

- Mouse may disconnected and reconnected (to reset the mouse for example), as long as the same mouse is being used
- If a different mouse is reconnected, then all of the computers in the installation must be shut down for 10 seconds then restarted following the power up sequence described under *Two Stage Cascade*, steps 9 - 11.

Note: If there is no response to the keyboard and/or mouse input after hot plugging, please perform a *Keyboard and Mouse Reset* by simultaneously pressing front panel pushbutton port **7** and **8** on GCS1808H or pushbutton **15** and **16** on GCS1816H for 2 seconds.

## Port Selection

IOGEAR's GCS1808H/GCS1816H provides 3 convenient switching methods to access the computers that are part of the installation:

### 1. Manual Port Switching

Using the front panel pushbutton to manually switch to a port

### 2. On-Screen Display (OSD) menu system

Using the keyboard and mouse to navigate the OSD - a menu driven method to control computer and switching operations. All procedures begin from the OSD main screen. Default OSD Hotkey by pressing **[Scroll Lock]** key twice. Please see **Chapter 4 for OSD Operation** for more details

### 3. Hotkeys combination

- a. Press and hold down **[Num Lock]**
- b. Press and release **[-]**
- c. Release **[Num Lock]**
- d. Enter Port number
- e. Press **[Enter]**

Please see **Chapter 5 for Hotkey Operation** for more details

## Port ID Numbering

Each port on IOGEAR's GCS1808H/GCS1816H's installation is assigned a unique *Port ID*. Users can directly access any computer on any level of the installation by specifying the *Port ID* that the computer is connect to – either via OSD (see **OSD operation** page 28) or via Hotkey port selection method (see **Hotkey Operation**, page 39)

Computers attached to the Master / First unit has a *two digit* Port ID

From 01 – 08 for GCS1808H or from 01 – 16 for GCS1816H) that corresponds to the KVM power number it is connected to

Computers attached to the Client / Second (or so forth) unit has a *four digit* Port ID.

The first two digits represent the KVM port number on the Master / First unit and the last two digits represent the KVM port number on the Client unit that it is connected to. For example, a Port ID of 02 – 08 would refer to a computer that is connected to KVM port 8 of the Second Client unit that links back to KVM port 2 of the Master / First unit.

## Powering Off and Restarting

When it becomes necessary to power off a GCS1808H/GCS1816H, please do the following before restarting the unit:

1. Disconnect the GCS1808H/GCS1816H from its power source
2. Turn off all computers connected to the KVM Switch

Note: Disconnect all power cords of all connected computers that have the Keyboard Power On function. Otherwise, the GCS1808H/GCS1816H will still receive power from the connected computers

3. Wait for 10 second, then connect the GCS1808H/GCS1816H back to its power source
4. Turn on all computers connected to the KVM Switch

Note: If there are stations cascaded down from the Master / First GCS1808H/GCS1816H, then all cascaded stations and the connected computers must be turned off as well.

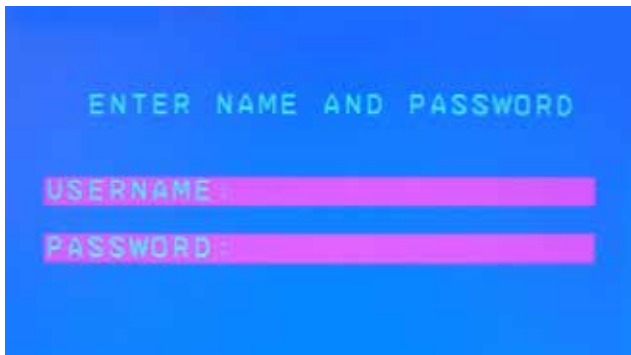
## OSD Operation

### OSD Overview

The On-Screen Display (OSD) is a mouse and keyboard enabled – menu driven method used to control and switch connected computer's operations. All procedures begin from the OSD main screen.

### OSD Login

The OSD incorporates a two level (administrator / user) password system. Before the OSD main screen appears, a login screen appears requiring a password. If this is the first time that the OSD is used, or if the password function has not been set, simply press **[Enter]** twice. The OSD main screen will display in administrator mode. In administrator mode, users will have administrator privileges, with access to all administrator and user functions, and can also set up operations (including password authorization) as needed. If the password function has been set, users must provide an appropriate administrator / user password in order to access the OSD.



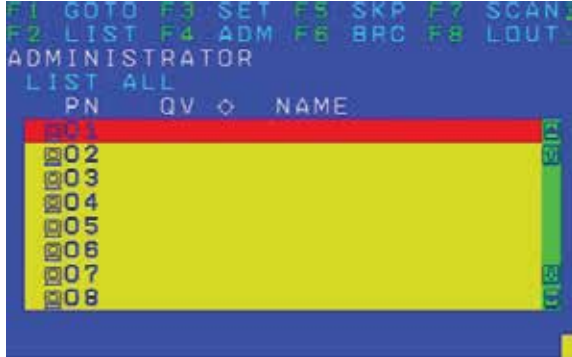
### OSD Hotkey

Users can display the OSD on the console monitor while viewing the display of any computer connected on the GCS1808H/GCS1816H by pressing the **[Scroll Lock]** key twice.

Note: Users can optionally change the OSD hotkey to the **[Ctrl]** key (see **OSD HOTKEY** on page 32 for more details). With this method, the same **[Ctrl]** key must be used (cannot use the left **[Ctrl]** key and then the right **[Ctrl]** key)

## OSD Main Screen


When OSD is invoked, a screen similar to below appears:



### Note:

1. The diagram depicts the administrator's main screen. The user main screen does not show the F4 and F6 functions, since these are reserved for the administrator and cannot be accessed by users.
2. The OSD always begins in list view, with the highlighted bar at the same position as it was, the last time the OSD was closed
3. Current logged in users can only see ports that have been authorized by Administrator (see **SET ACCESSIBLE PORTS** on page 34)
4. If the port list is collapsed, click on a switch number or move the highlighted bar to it then press the right arrow key to expand the list. Similarly, to collapse a switch's port list, click on the switch number or move the highlighted bar then press the left arrow key to collapse the list.

## OSD Main Screen Headings

PN	This column lists all port ID numbers for all KVM ports on the installation. The simplest method to access a particular computer is to move the highlighted bar to it, then press <b>[Enter]</b>
QV	If a port has been selected for quick view scanning (see <b>SET QUICK VIEW PORTS</b> , page 35), then an arrowhead symbol will appear on this column
	The computers that are powered on and are online have a sun symbol on this column
NAME	If a port has been given a name (see <b>EDIT PORT NAMES</b> , on page 35), then the name of the port will appear on this column

## OSD Navigation

- To dismiss the menu and deactivate the OSD without logging out, click **X** on the upper right corner of the OSD window or press **[Esc]**
- To log out of OSD, click F8 on the top of the main screen or press **[F8]**
- To move up or down through the list one line at a time, click the up and down triangle symbols (**▲ ▼**) or use the up and down arrow keys located on the right side of the OSD window. If there are more list entries than what appears on the main screen, the screen will scroll up or down.
- To move up or down through the list one screen at a time, click the up and down arrow (**↑ ↓**) symbols on the right side of the OSD window or use the **[Pg Up]** and **[Pg Dn]** keys. If there are more list entries than what appears on the main screen, the screen will scroll up or down
- To activate a port, double click the port or move the highlighted bar to it then press **[Enter]**
- After executing any action, users automatically return to the menu one level above

## OSD Functions

OSD functions are used to configure and control the OSD. For example, users can rapidly switch to any port, scan selected ports, limit viewed list, designate a port as a quick view port, create or edit a port name, or make OSD setting adjustments.

To access an OSD function:

1. Either click a function key field at the top of the main screen or press a function key on the keyboard
2. In the submenus appeared, users can make the choice of either by double-clicking or by moving the highlighted bar to it, then press **[Enter]**
3. Press **[Esc]** to return to the previous menu level

## **F1: GOTO**

Selecting the **F1** field or pressing **[F1]** activates the GOTO function. GOTO allows you to switch directly to a port either by keying in the port's Name or its Port ID. Mouse emulation must be enabled for independent switching (see page 44) for this **GOTO** function to work.

- To use the name method:
  - Key in number 1; key in the port's Name then press **[Enter]** to switch KVM, Audio and USB focus or **[Spacebar]** to switch KVM and Audio only
- To use the port ID method:
  - Key in number 2, key in the Port ID, then press **[Enter]** to switch KVM, Audio and USB focus or **[Spacebar]** to switch KVM and Audio only

Note: Users can key in a partial name or port ID. In that case, the screen will show all computers that users has **VIEW** rights to (see **SET ACCESSIBLE PORTS** page 34) that match the name or port ID pattern, regardless of the current list settings (see **F2: LIST** on page 31 for details)

To return to the OSD main screen without making a choice, press **[Esc]**

## **F2: LIST**

This function allows users to broaden or narrow the scope of which ports the OSD displays on the main screen. The submenu details shown below

SETTING	FUNCTION
ALL	Lists all of the ports in the installation that have been set to accessible by the administrator for the current logged in user
QUICK VIEW	Lists only the ports that have been selected as Quick View ports (see <b>SET QUICK VIEW PORTS</b> page 35)
POWERED ON	Lists only the ports that have their connected computers powered on
QUICK VIEW + POWERED ON	Lists only the ports that have been selected as Quick View ports (see <b>SET QUICK VIEW PORTS</b> on page 35) and have their connected computers powered on

Move the highlighted bar to the preferred choice then press **[Enter]**. An icon will appear before the choice to indicate that it is selected

## **F3: SET**

This function enables the administrator and each user to set up his/her own working environment. A separate profile for each is stored by the OSD and is activated according to the username that was provided during the login.

To change a setting

1. Double click on the item needed to be edited or move the highlighted bar to it then press **[Enter]**
2. After an item is selected, a submenu with further choices will appear. To make a selection, either double click the selection or move the highlighted bar to the selection then press **[Enter]**. An icon will appear before the selected choice to indicate that it has been selected. The settings are explained in the following table:

SETTING	FUNCTION
OSD HOTKEY	<p>Selects which hotkey that will activate the OSD function:  <b>[Scroll Lock] [Scroll Lock] or [Ctrl][Ctrl]</b></p> <p>Default hotkey is [Scroll Lock] combination. Since the [Ctrl] key combination may conflict with programs running on the computers</p>
PORT ID DISPLAY POSITION	<p>Allows each user to customize the position where the port ID appears on the screen. The default is on the upper left corner but users can still choose to have it appear anywhere on the screen.</p> <p>Use the mouse or the arrow keys with Pg Up, Pg Dn, Home, End, and numeric keypad 5 (with Num Lock off), to position the Port ID display, then double-click or press <b>[Enter]</b> to lock the position and return to the Set submenu</p>
PORT ID DISPLAY DURATION	<p>Determines how long a port ID displays on the monitor after a port change has taken place.</p> <p>The choices are 3 Seconds (default) and Always Off</p>
PORT ID DISPLAY MODE	<p>Selects how the port ID is displayed:</p> <ul style="list-style-type: none"> <li>• The port number plus the port name (PORT NUMBER + PORT NAME) (default)</li> <li>• The port number alone (PORT NUMBER)</li> <li>• The port name alone (PORT NAME)</li> </ul>
SCAN DURATION	<p>Determines how long the focus dwells on each port as it cycles through the selected ports in Auto Scan mode (see <b>F7: SCAN</b>, page 38). Key in a value from 1 – 255 seconds then press <b>[Enter]</b>.</p> <p>Default value is 5 seconds; a setting of 0 disables the SCAN function.</p> <p><b>Note:</b> Mouse emulation must be enabled for Auto Scan to work (see page 44)</p>
SCAN-SKIP MODE	<p>Selects which computers will be accessed under Skip Mode (see <b>F5: SKP</b> page 37) and Auto Scan Mode (see <b>F7: SCAN</b> page 38). Choices are:</p> <p>ALL – All the ports which have been set accessible (see <b>SET ACCESSIBLE PORTS</b> on page 34)</p> <p>QUICK VIEW – Only those ports which have been set accessible and have been selected as Quick View ports (see <b>SET QUICK VIEW PORTS</b> page 35)</p> <p>POWERED ON – Only those ports which have been set accessible and are powered on</p> <p>QUICK VIEW + POWERED ON – Only those ports which have been set accessible and have been selected as Quick View ports and are powered on. The default is ALL</p> <p><b>Note:</b> The Quick View choices only show up on the administrator's screen since he/she has Quick View settings rights (see <b>SET QUICK VIEW PORTS</b> on page 35). Mouse emulation must be enabled for SCAN-SKIP mode to work (please see page 44)</p>



SCREEN BLANKER	If there is no input from the console for the amount of time set with this function, the screen will turn blank. Key in a value from 1 – 30 minutes then press <b>[Enter]</b> . Default setting of 0 disables this function.
HOTKEY COMMAND MODE	Enables / disables the hotkey command function in case a conflict with programs running on the computers occurs
HOTKEY	Sets the keyboard shortcut for invoking Hotkey Mode (see Hotkey Setting Mode on page 39). Choices are: <b>[NUM LOCK] + [-]</b> (default) or, <b>[CTRL] + [F12]</b>
OSD LANGUAGE	Sets the language used in the OSD. Choices are: <ul style="list-style-type: none"> <li>• English (default)</li> <li>• German</li> <li>• Japanese</li> <li>• Simplified Chinese</li> <li>• Traditional Chinese</li> <li>• Spanish</li> <li>• French</li> <li>• Russian</li> </ul>

#### **F4: ADM**

**F4** is an administrator only function. This function allows the administrator to configure and control the overall operation of the OSD. To change a setting, double-click **F4** or use the up and down arrow keys to move the highlighted bar then press **[Enter]**

After an item is selected, a submenu with further choices to select from will appear. Double click a selection or use the highlighted bar then press **[Enter]**. An icon will appear before the selected item. The settings are explained in the following table:

SETTING	FUNCTION
SET USER LOGIN	<p>This function is used to set usernames and passwords for the administrator and users:</p> <ol style="list-style-type: none"> <li>1. Usernames and passwords for 1 administrator and 4 users can be set</li> <li>2. After administrator field or one of the user fields is selected, a screen appears, allowing users to key in the user-name and password. Usernames and passwords can be from 1 to 16 characters long and consist of any combination of letters and numbers (A – Z, 0 – 9) and some special character keys (* ( ) + : - , ? . / space)</li> <li>3. For each user, key in the user name and password. Confirm the password then press <b>[Enter]</b></li> <li>4. To modify or delete a previous username and / or password, use the backspace key to erase individual letters or numbers. Press <b>[Enter]</b> when done.</li> </ol> <p><u>Note:</u> Usernames and passwords are not case sensitive. Usernames are displayed in capital letters in the OSD</p>
SET ACCESSIBLE PORTS	<p>This function allows the administrator to define user access to the computers in the installation on a port-by-port basis.</p> <p>For each user, select the target port then press <b>[Spacebar]</b> to cycle through the choices:</p> <ul style="list-style-type: none"> <li><b>F</b> (full access)</li> <li><b>V</b> (view only)</li> <li><b>Blank</b></li> </ul> <p>Repeat until all access rights have been set then press <b>[Enter]</b>. The default is <b>F</b> for all users on all ports.</p> <p><u>Note:</u></p> <ul style="list-style-type: none"> <li>• A blank setting means that no access rights are granted. The port will not show up on the user's <b>LIST</b> on the main screen</li> <li>• The administrator always has full access to all ports</li> </ul>
SET LOGOUT TIMEOUT	<p>If there is no input from the console for the amount of time set with this function, the user is automatically logged out. A login is necessary before the console can be used again.</p> <p>This function enables other users to gain access to the computers when the original user is no longer accessing them but has forgotten to log out. To set the timeout value, key in a number from 1 – 180 minutes then press <b>[Enter]</b>.</p> <p>The default setting of 0 disables this function.</p> <p>Note: This feature does not function if Set Login mode is disabled (See <b>SET LOGIN MODE</b> page 36)</p>

EDIT PORT NAMES	<p>To help remember which port is connected to which computer, every port can be given a name. This function allows the administrator to create, modify, or delete port names.</p> <p>To edit a port name:</p> <ol style="list-style-type: none"> <li>1. Click the port, or use the navigation keys to move the highlighted bar to the selected port then press <b>[Enter]</b></li> <li>2. Key in the new port name or modify / delete the old one. The maximum number of characters allowed for the port name is 12 legal characters long and may consist of: <ul style="list-style-type: none"> <li>• All alpha characters: A – Z</li> <li>• All numeric characters: 0 – 9</li> <li>• Special characters: * ( ) + : - . ? . /</li> <li>• Name is not case sensitive, the OSD displays the port name all in capitals no matter how they were keyed in</li> </ul> </li> <li>3. When port name editing is finished, press <b>[Enter]</b> to confirm changes. To abort changes, press <b>[Esc]</b></li> </ol>
RESTORE DEFAULT VALUES	<p>This function allows users to undo all changes and return the setup to the original factory default settings (See <b>Factory Default Hotkeys and Settings</b> page 58) except for the port name list, username and password information.</p>
CLEAR THE NAME LIST	<p>This function will clear all port name list</p>
ACTIVATE BEEPER	<p>This is a toggle to turn ON (Y) or OFF (N) the beeper/buzzer sound. When activated, the beeper will sound whenever a port is selected, when activating the Auto Scan function (see <b>F7: SCAN</b> page 38) or when an invalid entry is made on OSD menu.</p> <p>Default Beeper is ON (Y)</p>
SET QUICK VIEW PORTS	<p>This function enables the administrator to select which ports to be included as Quick View ports:</p> <p>To select / deselect a port as a Quick View port, double click the port or move the highlighted bar to the port then press <b>[Spacebar]</b></p> <p>When a port has been selected as a Quick View port, an icon will display under QV column of the LIST on the main screen. When a port is deselected, the icon will disappear.</p> <p>If one of the Quick View options is chosen for the LIST view (see <b>F2: LIST</b> page 31), only the selected port will be displayed on the list</p> <p>If one of the Quick View options is chosen for Auto Scan (See <b>SCAN-SKIP MODE</b> page 32), only the selected port will be under <i>Auto Scan</i> mode.</p> <p>Default: no ports is selected for Quick View</p>
SET OPERATING SYSTEM	<p>This function allows the administrator to define the operating system for the computer connected to each KVM port.</p> <p>To set port's Operating System (OS):</p> <ol style="list-style-type: none"> <li>1. From the list, select the port that needs to have computer's OS set</li> <li>2. Set the OS by pressing <b>[Spacebar]</b> to cycle through Win, Mac, Sun, or Other</li> <li>3. Press <b>[Esc]</b> to exit. The OS you have selected is assigned to the KVM port</li> </ol> <p>Default: Win (PC compatible)</p>

FIRMWARE UPGRADE	<p><i>Firmware Upgrade</i> mode must first be enabled (see <b>Firmware Upgrade</b> page 48)</p> <p>When Firmware Upgrade menu is opened, the current firmware version level is displayed.</p> <p>Select Y to enable <i>Firmware Upgrade</i> mode or N to leave this menu without enabling it</p>
KEYBOARD LANGUAGE	<p>This function enables users to set the language used for the computer's keyboard connected to the KVM port. To select a keyboard language, double click on language chosen or use the navigation keys to move the highlighted bar to it then press <b>[Enter]</b></p> <p>Language choices:</p> <ul style="list-style-type: none"> <li>• AUTO (Default)</li> <li>• ENGLISH (US)</li> <li>• ENGLISH (UK)</li> <li>• GERMAN (GER)</li> <li>• GERMAN (SWISS)</li> <li>• FRENCH</li> <li>• HUNGARIAN</li> <li>• ITALIAN</li> <li>• JAPANESE</li> <li>• KOREAN</li> <li>• RUSSIAN</li> <li>• SPANISH</li> <li>• SWEDISH</li> <li>• TRADITIONAL CHINESE</li> <li>• SIMPLIFIED CHINESE</li> </ul>
MOUSE EMULATION	<p>Enables / Disables mouse emulation function.</p> <p>Mouse emulation must be enabled to perform any independent switching of a port and for <i>Auto Scan Mode</i> or <i>Skip Mode</i> to work</p> <p><u>Note:</u> Only supported in the First Level of in installation.</p>
ACTIVATE MULTI-DISPLAY	<p>Enables Multi-Display Mode for dual, triple, up to 8 displays in Multiple-Monitor installations where each computer is fitted with multiple video cards (See <b>Multi-Display installation</b> on page 23 for more details)</p> <p><u>Note:</u> Multi-Display Mode must be enabled on the OSD before the cables are connected</p>
OSD CONFIG BACKUP / RESTORE	<p>Enters OSD Configuration Backup / Restore Mode. The Firmware Management Utility allows users to backup the current OSD configuration of GCS1808H/GCS1816H and restore it when necessary.</p> <p>Storing the OSD configuration settings will be useful when deploying more than one installation that uses the same settings. (See <b>OSD CONFIGURATION BACKUP/RESTORE</b> page 52 for more details)</p>
SET LOGIN MODE	<p>This function allows the administrator to request users' login access. When the Login dialog box is disabled, the system disables the Login/Logout function. If the system is re-started, the Login/Logout function remains disabled</p>

## **F5: SKP**

Selecting **F5** field or pressing **[F5]** will invoke **Skip (SKP) Mode**. This function enables users to easily skip backward or forward by switching the console focus from the currently active computer port to the previous or next accessible one. Mouse emulation must be enabled for Skip Mode to work (see **Mouse Emulation** on page 44)

The selection of computers available for Skip Mode Switching is made with the **SCAN-SKIP** mode setting under **F3: SET** function (see page 31)

### **When in Skip Mode:**

- Press [**←**] to Skip to the previous accessible port on the list
- Press [**→**] to Skip to the next accessible port on the list
- Press [**↑**] to Skip to the next accessible port. If the next accessible port has cascaded a switch, then it will skip to the first accessible port of that switch
- Press [**↓**] to Skip to the previous accessible port. If the previous accessible port has cascaded a switch, then it will skip to the last accessible port of that switch

**Note:** Users can only skip to the previous or next accessible computer that is already in the **SCAN-SKIP mode** selection (see page 32)

- If a port has been selected for **SCAN-SKIP Mode**, then when the focus switches to that port, a (◀▶) appears before its port ID display. When the port ID with the triangle symbol displays, the background screen turns blank
- While **Skip Mode** is in effect, the console will not function normally. Users must exit skip mode in order to regain control of the console
- When the selected port appears, the **Skip Mode** is automatically disabled
- To exit **Skip Mode**, press [**Spacebar**] or [**Esc**]

## **F6: BRC**

**F6** is an administrator only function. Selecting **F6** field or pressing **[F6]** will invoke **Broadcast (BRC) mode**. When this function is in effect, commands sent from the console are broadcasted to all available connected computers in the installation.

This function is particularly useful for operations that need to be performed on multiple computers, such as performing a system wide shutdown, installing or upgrading software, etc.

- While **BRC Mode** is in effect, a speaker symbol appears before the port ID that has the console focus. When the port ID with the speaker symbol appears, the background screen turns blank
- While **BRC Mode** is in effect, the mouse will not function normally. Administrator must exit **BRC mode** in order to regain control of the mouse
- To exit **BRC Mode**, invoke the OSD with the OSD hotkey, then select **F6** field or press **[F6]** to turn **BRC Mode** off
- When **BRC Mode** is in effect, the Scroll Lock LED flashes. The LED will stop flashing and reverts to normal status when exiting BRC Mode

## **F7: SCAN**

Selecting the **F7** field or pressing **[F7]** invokes *Auto Scan Mode*. This function allows you to automatically switch among the available connected computers at regular intervals so users can monitor activities without switching to individual port. Mouse emulation must be enabled for *Auto Scan* to work (see page 44)

- The selection of computers to be included for Auto Scan is made with the **SCAN-SKIP** Mode setting under **F3: SET** function (see page 31)
- The amount of time that KVM dwell on each port is set with the **SCAN DURATION** setting under **F3: SET** function (see page 31). To stop at a particular port during Auto Scan Mode, press the **[Spacebar]** to stop scanning.
- If scanning stops on an empty port or on one where the computer is connected but is powered off, then the screen will show blank and the mouse/keyboard will have no effect. After the Scan Duration time is up, the KVM will move on and scan the next port
- As each connected computer is accessed, an **S** appears in front of the port ID display, indicating that the port is being accessed under *Auto Scan Mode*. When the port ID with the symbol appears, the background screen is blank
- While *Auto Scan Mode* is in effect, the console will not function normally. Users must exit Auto Scan Mode in order to regain control of the console
- While in *Auto Scan Mode*, users can pause scanning in order to keep the focus on a particular computer either by pressing **P** or pressing the **left button** of the mouse. See Invoking **Auto Scan** on page 40 for details.
- To exit *Auto Scan Mode*, press **[Spacebar]** or **[Esc]**

## **F8: LOUT**

Selecting the **F8** field or pressing **[F8]** will log user out of OSD control of the computers and console screen will show blank. This is different from simply pressing **[Esc]** from the main screen to deactivate the OSD.

With this function, users must log back in again in order to regain access to the OSD, whereas with **[Esc]**, users can re-enter OSD menu by invoking OSD hotkey

### **Note:**

1. When re-entering OSD after logging out, the screen will stay blank except for the OSD main screen. Username and password must be entered before continuing
2. If users re-enter the OSD after logging out and immediately use **[Esc]** to deactivate OSD without having to select a port from the OSD menu, a null port message will appear on the screen. The OSD hotkey will bring up the main OSD screen.

# Hotkey Operation

## Hotkey Port Control

Hotkey port control allows the KVM to focus on a particular computer directly from the keyboard. The GCS1808H/GCS1816H provides the following hotkey port control features:

- Selecting the Active port
- Auto Scan Mode Switching
- Skip Mode Switching
- Computer Keyboard / Mouse Resetting
- Enable / Disabling Mouse Emulation

The following settings can also be controlled in HSM mode;

- Beeper
- Quick Hotkey
- OSD Hotkey
- Port Operating System
- OSD Default Values Restore

Note: Mouse emulation must be enabled to perform any independent switching of a port and for *Auto Scan Mode* or *Skip Mode* (please see page 40 and 44)

## Hotkey Setting Mode

Hotkey Setting Mode is used to setup GCS1808H/GCS1816H switch configuration. All operations begins with invoking Hotkey Setting Mode (HSM).

### Invoking HSM

1. Press and hold down **[Num Lock]**
2. Press and release **[-]**
3. Release **[Num Lock]**

Or

1. Press and hold down **[Ctrl]** key
2. Press and release **[F12]**
3. Release **[Ctrl]**

### When HSM is active:

- A command line appears on the monitor screen. The command line prompt is the word Hotkey (in white text on a blue background) and displays the subsequent Hotkey information keyed in
- Ordinary keyboard and mouse functions are suspended – only hotkey compliant keystrokes can be input
- Press **[Esc]** to exit HSM mode

## Selecting an Active Port

Each KVM port is assigned with a port ID (see *Port ID Numbering* page 27). Users can directly access any computer in the installation with a hotkey combination that specifies the port ID of the KVM port that the computer is connected to.

To access a computer using hotkeys:

1. Invoke HSM with **[Num Lock] + [-]** or **[Ctrl] + [F12]** combination
2. Key in the Port ID

The Port ID number is displayed on the command line as keyed in. Use **[Backspace]** to erase previous entry.

3. Press **[Enter]**

After pressing **[Enter]**, the KVM focus switches to the designated computer and automatically exit HSM.

Note: in HSM, KVM focus will not switch to a port if an invalid switch or port number is entered. The hotkey command line will continue to show on the screen until a valid switch and port number combination is entered or existing HSM

## Auto Scan Mode

Auto Scan automatically switches between all KVM ports, at regular interval, that have been set as accessible under **SCAN-SKIP Mode**, so that their activities can be monitored automatically. See **SCAN-SKIP Mode** on page 32 for more detailed information

### Invoking Auto Scan:

1. Mouse emulation must be enabled (please see page 44)
2. Invoke HSM with **[Num Lock] + [-]** or **[Ctrl] + [F12]** combination
3. Press **[A]** then **[Enter]** to automatically exit HSM and enter Auto Scan Mode
  - While in Auto Scan Mode, scanning can be paused in order to keep the focus on a particular computer, either by pressing **P** or **left-click the mouse**.
  - During the time that scanning is paused, the command line will display:  
**Auto Scan: Paused**
  - Pausing is more convenient than exiting *Auto Scan Mode* because exiting and entering *Auto Scan* will start with the very first computer in the installation.
  - To resume *Auto Scan*, press any key or left-click the mouse. Scanning continues where it left off
  - While Auto Scan Mode is in effect, ordinary keyboard and mouse functions are suspended – only *Auto Scan Mode* compliant keystrokes and mouse clicks can be entered. Users must exit *Auto Scan mode* in order to regain normal control of the console
4. To exit Auto Scan Mode, press **[Esc]** or **[Spacebar]**.

Note: Mouse emulation must be enabled to perform any independent switching of a port and for *Auto Scan Mode* or *Skip Mode* to work (please see page 40 and 44)



## Skip Mode

This feature enables users to switch between computers in order to monitor them manually. Users can dwell on a particular port as preferred – as opposed to *Auto Scan Mode* where users the KVM switches from one port to another after a fixed interval.

To invoke Skip More, key in the following hotkey combination:

1. Mouse emulation must be enabled (please see page 44)
2. Invoke HSM with **[Num Lock] + [-]** or **[Ctrl] + [F12]** combination
3. Key in **[Arrow]**

Where **[Arrow]** refers to one of the arrow keys (↓↑→←). After pressing an arrow, users automatically exit HSM and enter **Skip Mode**, where switch ports can be done with the following:

←	Skips to the previous accessible port (See <b>SCAN-SKIP</b> Mode on page 32 for more detailed information)
→	Skips to the next accessible port
↑	Skips to the previous accessible port. If the previous accessible port has a cascading switch, then it skips to the last accessible port of that switch
↓	Skips to the next accessible port. If the next accessible port has a cascading switch, then it skips to the first accessible port of that switch

- When Skip Mode is in effect, users can keep on skipping by pressing the arrow keys. No need to use **[Num Lock] + [-]** combination again
  - While Skip Mode is in effect, ordinary keyboard and mouse functions are suspended – only **Skip Mode** compliant keystrokes can be entered. Users must exit **Skip Mode** in order to regain normal control of the console
4. To exit Skip Mode, press **[Esc]** or **[Spacebar]**

Note: Mouse emulation must be enabled to perform any independent switching of a port and for *Auto Scan Mode* or *Skip Mode* to work (please see page 40 and 44)

## Hotkey Beeper Control

The beeper/buzzer sound (see **Activate Beeper** on page 35) hotkey is a toggle that can be set **on** or **off**.

To toggle the beeper, key in the following hotkey combination:

1. Invoke HSM with **[Num Lock] + [-]** or **[Ctrl] + [F12]** combination
2. Press **[B]**

After pressing **[B]**, the beeper toggles on or off. The command line displays **Beeper On** or **Beeper Off** for one second, then the message disappears and users automatically exit HSM

## Quick Hotkey Control

The Quick Hotkey (see **HOTKEY** page 33) can be toggled between **[Num Lock] + [-]** and **[Ctrl] + [F12]**

To toggle between the two combination:

1. Invoke **HSM** with **[Num Lock] + [-]** or **[Ctrl] + [F12]** combination
2. Press **[H]**

After pressing **[H]**, the command line displays **HOTKEY HAS BEEN CHANGED** for one second, then the message disappears and users automatically exit HSM

## OSD Hotkey Control

The OSD Hotkey (see **OSD HOTKEY** page 32) can be toggled between **[Scroll Lock]** **[Scroll Lock]** and **[Ctrl][Ctrl]**.

To toggle the OSD Hotkey, key in the following hotkey combination:

1. Invoke HSM with **[Num Lock] + [-]** or **[Ctrl] + [F12]** combination
2. Press **[T]**

After pressing **[T]**, the command line displays **HOTKEY HAS BEEN CHANGED** for one second then the message disappears and users automatically exit HSM

## Port OS Control

Port's Operating System (OS) can be edited to match the OS of the computer connected to that port.

To edit a port's OS, key in the following hotkey combination:

1. Invoke HSM with **[Num Lock] + [-]** or **[Ctrl] + [F12]** combination
2. Key in **[Function]**, where **[Function]** refers to one of the function keys in the following table

Key	Description
F1	Sets the Port OS to Windows
F2	Sets the Port OS to Mac
F3	Sets the Port OS to Sun

After pressing a function key, users will automatically exit HSM

## Restore Default Values

The administrator can restore GCS1808H/GCS1816H default values.

To restore default values:

1. Invoke HSM with **[Num Lock] + [-]** or **[Ctrl] + [F12]** combination
2. Press **[R]**
3. Press **[Enter]**

After pressing **[Enter]**, the command line displays **RESET TO DEFAULT SETTING** for three second then the message disappears and users automatically exit HSM

## USB Reset

If the USB loses focus and needs to be reset, follow below steps:

1. Invoke HSM with **[Num Lock] + [-]** or **[Ctrl] + [F12]** combination
2. Press and release **[F5]**

## Video DynaSync™

Video DynaSync™ is IOGEAR's exclusive technology that eliminates boot-up display problems and optimizes resolution when switching between ports or booting.

1. Invoke HSM with **[Num Lock] + [-]** or **[Ctrl] + [F12]** combination
2. Press **[D]**

Note: If the monitor is disconnected then reconnected, the GCS1808H/GCS1816H will re-execute Video DynaSync

## Mouse Emulation Control

Default setting is enabled. This procedure is a toggle. To disable mouse emulation:

1. Invoke HSM with **[Num Lock] + [-]** or **[Ctrl] + [F12]** combination
2. Press **[M]**

Note: Mouse emulation must be enabled to perform any independent switching of a port and for Auto Scan or Skip Mode to work

## HSM Summary Table

After invoking HSM (please see page 39), key in one of the following keys to perform the corresponding function

Key	Function
[PN][Enter]	Switches KVM, Audio, and USB focus directly to port [PN] (PN = Port Number)
[PN][K][Enter]	Switches KVM focus only directly to port [PN]
[PN][U][Enter]	Switches USB focus only directly to port [PN]  <u>Note:</u> This hotkey functions only on the first level of an installation
[A][Enter]	Starts Auto Scan.  KVM focus cycles from port to port at default 5 seconds interval
[A][n][Enter]	Starts Auto Scan. KVM focus cycles from port to port at n seconds interval (n = 1 – 255 seconds)
[H]	Toggles between the default ([Num Lock][-]) and alternate ([Ctrl][F12]) HSM invocation keys
[T]	Toggles between the default ([Scroll Lock][Scroll Lock]) and alternate ([Ctrl][Ctrl]) OSD Hotkey









[F1]	Sets the port OS to Windows
[F2]	Sets the port OS to Mac
[F3]	Sets the port OS to Sun
[F5]	Performs a keyboard / mouse rest on the target computer
[B]	Enables/disables the beeper
[R][Enter]	Resets the hotkey settings to their default status. Please see Factory Default Hotkeys and Settings on page ##
[D]	Invokes Video DynaSync™, IOGEAR's exclusive technology that eliminates boot-up display problems and optimizes resolution when switching between ports
[M]	Enables/disables mouse emulation
[←]	Skips to the previous computer on the list in Skip Mode
[→]	Skips to the next computer on the list in Skip Mode
[↗]	Skips to the next accessible port. If the next accessible port has cascaded a switch, then it skips to the first accessible port of that switch in Skip Mode
[↖]	Skips to the previous accessible port. If the previous accessible port has cascaded a switch, then it skips to the last accessible port of that switch in a Skip Mode
[ESC] or [Spacebar]	Exits Hotkey Setting Mode

Note: Mouse emulation must be enabled to perform any independent switching of a port and to perform *Auto Scan Mode* or *Skip Mode*

# Keyboard Emulation

## Mac Keyboard








The PC compatible (101/104 key) keyboard can emulate the functions of the Mac keyboard. The emulation mappings are listed in the table below

Pc Keyboard	Mac Keyboard
[Shift]	Shift
[Ctrl]	Ctrl
	
[Ctrl][1]	
[Ctrl][2]	
[Ctrl][3]	
[Ctrl][4]	
[Alt]	Alt
[Print Screen]	F13
[Scroll Lock]	F14
	=
[Enter]	Return
[Backspace]	Delete
[Insert]	Help
[Ctrl] 	F15

Note: When using key combinations, press and release the first key **[Ctrl]** then press and release the activation key

## Sun Keyboard

The PC compatible (101/104 key) keyboard can emulate the functions of the Sun keyboard when the Control key [Ctrl] is used in conjunction with other keys. The corresponding functions are shown in the table below

Pc Keyboard	Sun Keyboard
[Ctrl][T]	Stop
[Ctrl][F2]	Again
[Ctrl][F2]	Props
[Ctrl][F4]	Undo
[Ctrl][F5]	Front
[Ctrl][F6]	Copy
[Ctrl][F7]	Open
[Ctrl][F8]	Paste
[Ctrl][F9]	Find
[Ctrl][F10]	Cut
[Ctrl][F1]	
[Ctrl][F2]	
[Ctrl][F3]	
[Ctrl][F4]	
[Ctrl][H]	Help
	Compose
	

**Note:** When using key combinations, press and release the first key **[Ctrl]** then press and release the activation key

# Firmware Management Utility

## Introduction

The purpose of Windows-based Firmware Management Utility is to provide an automated process for upgrading all GCS1808H/GCS1816H switches in an installation. The program comes as part of a Firmware Upgrade Package that is specific for each device.

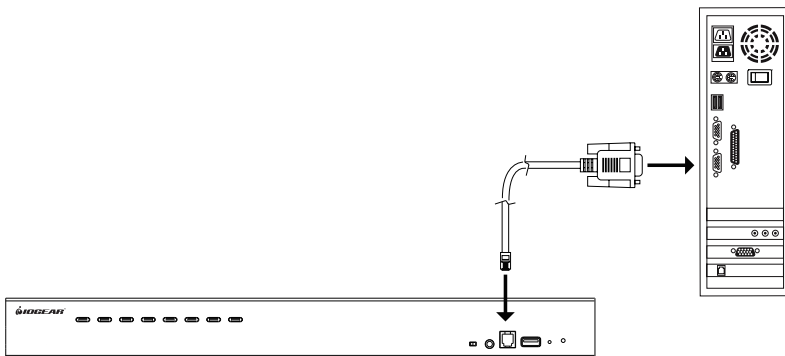
As new firmware versions become available, new firmware upgrade packages are posted on IOGEAR's website [www.iogear.com](http://www.iogear.com). Please check the website regularly to find the latest information and firmware upgrade packages.

## Downloading the Firmware Upgrade Package

1. From a computer that is not part of the KVM installation, please go to IOGEAR's website [www.iogear.com](http://www.iogear.com) and choose the model name that relates to the device. A list of available firmware upgrade packages will appear.
2. Choose the firmware upgrade package that user wish to install (usually the most recent) and download it to the computer

## Preparation

1. Use the Firmware Upgrade Cable provided with the GCS1808H/GCS1816H/ GCS1808HKITU/GCS1816HKITU package to connect a COM port on the computer to the **Firmware Upgrade Port** on the KVM switch



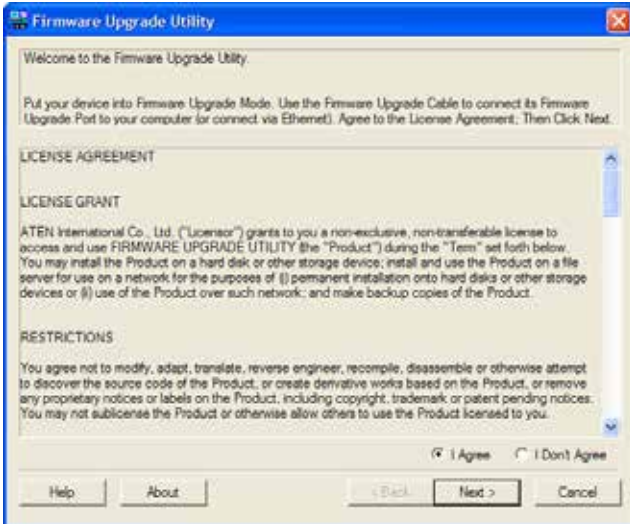
2. Turn off all computers that are part of the KVM installation
3. From the KVM switch console, please login to the OSD as the Administrator (see page 28) and select **F4: ADM** function
4. Scroll down to **FIRMWARE UPGRADE**. Press **[Enter]** then press **[Y]** to invoke *Firmware Upgrade Mode* (see page 36)



## Starting the Upgrade Procedure

1. Run the downloaded firmware upgrade package file either by double clicking the file icon or by opening a command line and entering the full path.

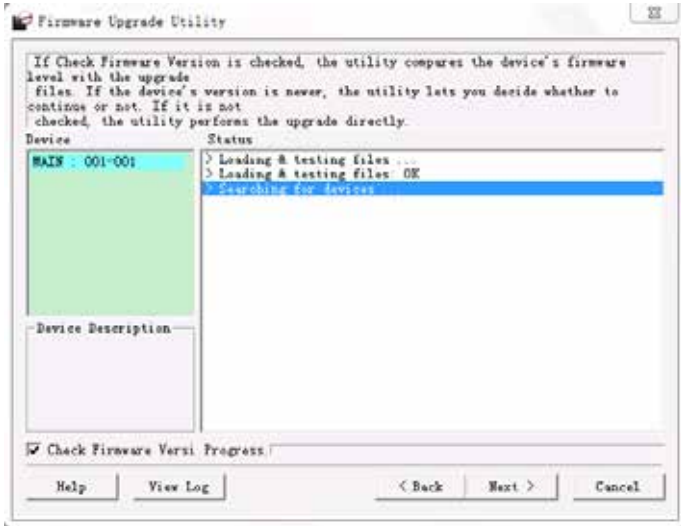
The *Firmware Upgrade Utility* welcome screen appears



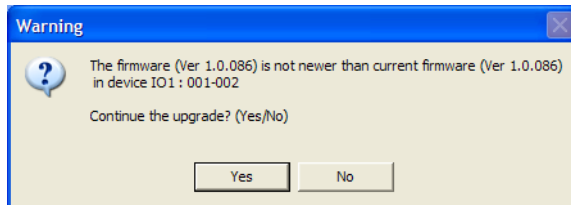
**Note:** The screens shown in this section are for reference only. Wording and layout of the actual screens of the Firmware Upgrade Utility may vary slightly from these images.

2. Read and choose **"I Agree"** from the License Agreement

3. Click **Next** to continue. The Firmware Upgrade Utility main screen will appear. The devices capable of being upgraded are listed under Device List panel



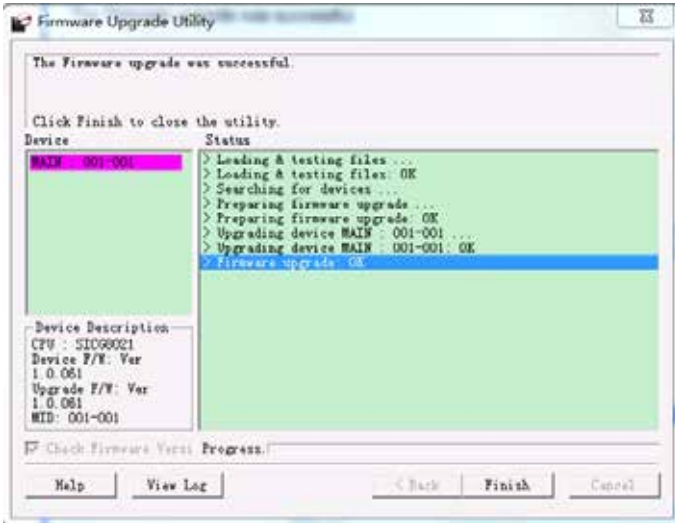
4. Click Next to perform the upgrade
5. If Check Firmware Version is enabled, then the Utility will compare the device's firmware level with that of the upgrade firmware. If the Utility finds that the device's firmware version is higher than the upgrade version, then it will bring up a dialog box informing the situation and gives the option to Continue [Yes] or to Cancel [No]



If *Check Firmware Version* is not enabled, then the Utility will install the firmware file upgrade without checking version level. As the upgrade proceeds, status message will appear in the *Status Messages* panel, and then the progress towards completion is shown on the *Progress* bar

## Upgrade Succeeded

After the upgrade has been completed, a screen will appear to inform that the procedure was successful.



Click **Finish** to close the *Firmware Upgrade Utility*

## Upgrade Failed

If the Upgrade Succeeded screen does not appear, this means that the upgrade failed to complete successfully.

Please see next section *Firmware Upgrade Recovery* on how to proceed.

## Firmware Upgrade Recovery

There are three conditions that calls for Firmware Upgrade Recovery:

- When a firmware upgrade is manually aborted
- When the mainboard firmware upgrade fails
- When the I/O firmware upgrade fails

To perform a Firmware Upgrade Recovery, please follow below steps:

1. Turn the GCS1808H/GCS1816H power OFF
2. Connect the *Firmware Upgrade Cable* to the *Firmware Upgrade Port* on the GCS1808H/GCS1816H
3. Slide the *Firmware Upgrade Recovery Switch* to the RECOVER position

4. Turn the GCS1808H/GCS1816H power back ON and repeat the **Upgrade Procedure** (see page 49)
5. After the firmware has been successfully upgraded, turn the GCS1808H/GCS1816H power OFF and slide the *Firmware Upgrade Recovery Switch* back to NORMAL position
6. If the KVM switch is part of the cascaded switches, please connect it back into the installation
7. Turn the GCS1808H/GCS1816H power ON

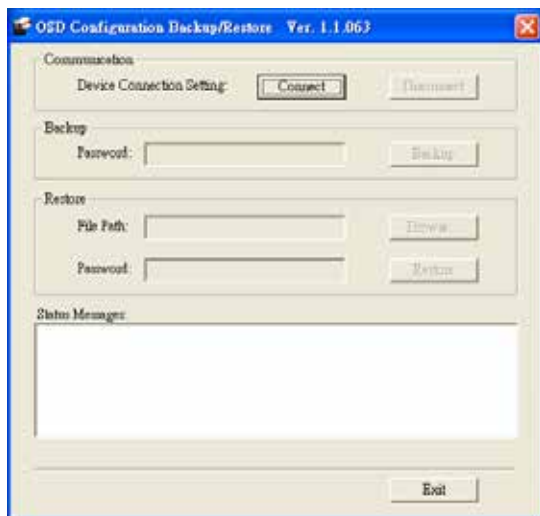
## OSD Configuration Backup/Restore

The Firmware Management Utility allows for current OSD configuration backup on the GCS1808H/GCS1816H and restore it when necessary. Storing the OSD configuration settings is useful when deploying more than one installation that uses the same settings.

### Backup Procedure

Please follow below steps to restore a backup file to a local computer:

1. Please make sure that the computer is connected to the GCS1808H/GCS1816H. See **Preparation** on page 48 and follow steps 1 – 3
2. When **F4: ADM** function is selected, scroll down to OSD CONF BACKUP / RESTORE. Press **[Enter]** then press **[Y]** to invoke *OSD Configuration Backup / Restore Mode*
3. Run the Firmware Management Utility. In the dialog box, choose *OSD Configuration Backup / Restore*, then click **Next**
4. OSD Configuration Backup/Restore window will appear. Please choose **Connect** to connect device





5. In the password field, key in a password for the file

Note: Setting a password is optional. If password is not set, then the file can be restored without specifying a password

6. Click **Backup**

7. **Select Save to Disk** when prompted and save the file in a convenient location.

## **Restore Procedure**

Please follow below steps to restore a backup file from a local computer:

1. Follow steps 1 – 3 from previous section Backup.
2. Click **Restore** to recover an OSD Configuration stored in a local computer. If a password has been previously set for this feature, then enter the password in the provided field before clicking **Restore**.
3. A confirmation window will appear, please click **Yes** to proceed
4. Browse for the OSD configuration file and click Restore. Please make sure that the backup file is in the local computer
5. A confirmation window will appear when the restore process is done and successful. Click **OK** to close the window

## GCS1808H / GCS1816H Connection Tables

The following tables indicate the relationship between the number of Master View units and the number of computers that they control:

### GCS1808H

MVs	Computers	MVs	Computers	MVs	Computers	MVs	Computers
1	1 – 8	20	134 – 141	39	267 – 274	58	400 – 407
2	8 – 15	21	141 – 148	40	274 – 281	59	407 – 414
3	15 – 22	22	148 – 155	41	281 – 288	60	414 – 421
4	22 – 29	23	155 – 162	42	288 – 295	61	421 – 428
5	29 – 36	24	162 – 169	43	295 – 302	62	428 – 435
6	36 – 43	25	169 – 176	44	302 – 309	63	435 – 442
7	43 – 50	26	176 – 183	45	309 – 216	64	442 – 449
8	50 – 57	27	183 – 190	46	316 – 323	65	449 – 456
9	57 – 64	28	190 – 197	47	323 – 330	66	456 – 463
10	64 – 71	29	197 – 204	48	330 – 337	67	463 – 470
11	71 – 78	30	204 – 211	49	337 – 344	68	470 – 477
12	78 – 85	31	211 – 218	50	344 – 351	69	477 – 484
13	85 – 92	32	218 – 225	51	351 – 358	70	484 – 491
14	92 – 99	33	225 – 232	52	358 – 365	71	491 – 498
15	99 – 106	34	232 – 239	53	365 – 372	72	498 – 505
16	106 – 113	35	239 – 246	54	372 – 379	73	505 – 512
17	113 – 120	36	246 – 253	55	379 – 386		
18	120 – 127	37	253 – 260	56	386 – 393		
19	127 – 134	38	260 – 267	57	393 – 400		

### GCS1816H

MVs	Computers	MVs	Computers	MVs	Computers	MVs	Computers
1	1 – 16	5	63 – 79	9	127 – 143	13	191 – 207
2	16 – 31	6	79 – 95	10	143 – 159	14	207 – 223
3	31 – 47	7	95 – 111	11	159 – 175	15	223 – 239
4	47 – 63	8	111 – 127	12	175 – 191	16	239 – 256

## Specifications


Function		GCS1808H	GCS1816H	
Computer Connections	Direct	8	16	
	Maximum	512 (via cascade)	256 (via cascade)	
Port Selection		OSD, Hotkey, Pushbutton		
Connectors	Console Ports	Keyboard	1 x USB Type-A Female	
		Video	1 x HDMI Female	
		Mouse	1 x USB Type-A Female	
		Speakers	1 x 3.5 mm Stereo Jack Female (1 x Front Panel, 1 x Rear Panel)	
	KVM Ports	Keyboard / Mouse	8 x USB Type B Female	16 x USB Type B Female
		Video	8 x HDMI Female	16 x HDMI Female
		Speakers	8 x 3.5 mm Stereo Jack Female	16 x 3.5 mm Stereo Jack Female
	F/W Upgrade		1 x RJ11 Female	
	Power		1 x DC Jack	
	USB 2.0 Hub		2 x USB Type-A Female (1 x Front Panel, 1 x Rear Panel)	
Switches	Port Selection	8 x Pushbutton	16 x Pushbutton	
	Reset	1 x Semi-recessed Pushbutton		
	F/W Upgrade	1 x Slide Switch		
LEDs	USB Link	8 (Green)	16 (Green)	
	On Line / Selected	8 (Orange)	16 (Orange)	
	Power	1 (Dark Green)		
Emulation	Keyboard / Mouse	USB		
Video		480i, 480p, 720p, 1080i, 1080p (HDTV) / 1920 x 1200 @ 60Hz		
Scan Interval		1 - 255 Seconds (Default: 5 seconds)		
Power Consumption		DC 5.0V; 12.0W	DC 5.0V; 12.2W	
Environment	Operating Temperature	0 - 50°C		
	Storage Temperature	-20 – 60°C		
	Humidity	0 – 80% RH, Non-condensing		
Physical Properties	Housing	Metal		
	Weight	7.68lb (3.49kg)	8.49lb (3.86kg)	
	Dimensions (L x W x H)	17" x 10.1" x 1.73" (43.72cm x 25.66cm x 4.4cm)	17.2" x 10.1" x 1.73" (43.72cm x 25.6cm x 4.4cm)	

# Safety Instruction

## General

- This product is for indoors use only
- Read all of these instructions. Save them for future reference.
- Follow all warnings and instructions marked on the device.
- Do not place the device on any unstable surface (card, stand, table, etc.). If the device falls, serious damage will result
- Do not use the device near water
- Do not place the device near, or over, radiators or heat registers
- The device cabinet is provided with slots and openings to allow for adequate ventilation. To ensure reliable operation, and to protect against overheating, these openings must never be blocked or covered.
- The device should never be placed on a soft surface (bed, sofa, rug, etc.) as this will block its ventilation openings. Likewise, the device should not be placed in a built-in enclosure unless adequate ventilation has been provided
- Never spill liquid of any kind on the device
- Unplug the device from the wall outlet before cleaning. Do not use liquid or aerosol cleaners. Use a damp cloth for cleaning
- The device should be operated from the type of power source indicated on the marking label. If you are not sure of the type of power available, please consult your dealer or local power company
- The device is designed for IT power distributions systems with 230V phase-to-phase voltage
- To prevent damage to your installation, it is important that all devices are properly grounded
- The device is equipped with a 3-wire grounding type plug. This is a safety feature. If you are unable to insert the plug into the outlet, please contact your electrician to replace your obsolete outlet. Do not attempt to defeat the purpose of the grounding-type plug. Always follow your local/national wiring codes
- Do not allow anything to rest on the power cord or cables. Route the power cord and cables so that they cannot be stepped on or tripped over
- If an extension cord is used with this device, please make sure that the total Ampere ratings of all products used on this cord does not exceed the extension cord Ampere rating. Please make sure that total products plugged into the wall outlet do not exceed 15 Amperes.
- To help protect your system from sudden, transient increases and decreases in electrical power, please use a surge suppressor, line conditioner, or un-interruptible power supply (UPS)
- Position system cables and power cables carefully. Please make sure that nothing rest on any of the cables
- Never push objects of any kind into or through cabinet slots. They may touch dangerous voltage points or short out parts, resulting in a risk of fire or electrical shock
- Do not attempt to service the device yourself. Please refer all servicing to qualified service personnel
- If the following conditions occur, please unplug the device from the wall outlet and bring it to qualified service personnel for repair
  - The power cord or plug has become damaged or frayed
  - Liquid has been spilled into the device



- 
- o The device has been exposed to rain or water
  - o The device has been dropped, or the cabinet has been damaged
  - o The device exhibits a distinct change in performance, indicating a need for service
  - o The device does not operate normally when the operating instructions are followed
  - Only adjust those controls that are covered in the operating instructions. Improper adjustment of other controls may result in damage that will require extensive work by a qualified technician to repair
  - Do not connect the RJ-11 connector marked “UPGRADE” to a public telecommunication network

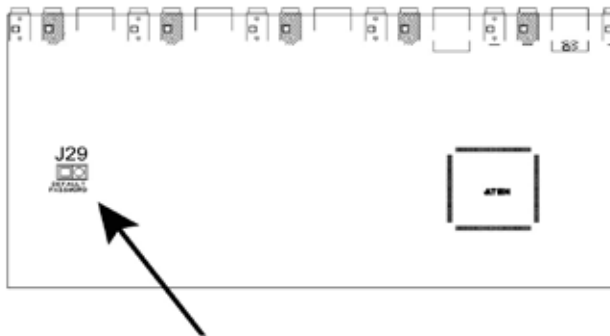
## Factory Default Hotkeys and Settings

Setting	Hotkey	Default
OSD Hotkey (Default / Alternate)	[T]	[Scroll Lock] [Scroll Lock]
Invoking HSM	[H]	[Number Lock] [-]
Auto Scan Interval	[A][Enter]	5 seconds
Mouse Emulation	[M]	Enabled
Port Switching Keys (On / Off)	[X][Enter]	Enabled
Beeper	[B]	Enabled
Video DynaSync™	[D]	Enabled

### Administrator Login Failure

If you are unable to perform an Administrator login (because the username/ password information has become corrupted, or you have forgotten it, for example), you can clear the login information with the following procedure:

1. Power off the GCS1808H / GCS1816H and remove its housing.
2. Short the jumper labeled J29.



3. Power on the switch.
4. When the front panel LEDs flash, power off the switch.
5. Remove the jumper cap from J29.
6. Close the housing and start the GCS1808H / GCS1816H back up. Then, use the default login procedure (see OSD Login, page 28) to login.

### FEDERAL COMMUNICATIONS COMMISSION INTERFERENCE STATEMENT

This equipment has been tested and found to comply with the limits for a Class A digital device, pursuant to Part 15 of the FCC Rules. These limits are designed to provide reasonable protection against harmful interference when the equipment is operated in a commercial environment. This equipment generates, uses, and can radiate radio frequency energy and, if not installed and used in accordance with the instruction manual, may cause harmful interference to radio communications. Operation of this equipment in a residential area is likely to cause harmful interference in which case the user will be required to correct the interference at his/her own expense.

The device complies with Part 15 of the FCC Rules. Operation is subject to the following two conditions:

- (1) this device may not cause harmful interference, and
- (2) this device must accept any interference received, including interference that may cause undesired operation.

### CE Statement

This device has been tested and found to comply with the following European Union directives: Electromagnetic Capability (2004/108/EC), Low Voltage (2006/95/EC) and R&TTED (1999/5/EC).

### RoHS

This product is RoHS compliant

## Limited Warranty

### Warranty Information

This product carries a 3 Year Limited Warranty. For the terms and conditions of this warranty, please go to <https://www.iogear.com/support/warranty>

Register online at <https://www.iogear.com/registration>

Important Product Information

Product Model \_\_\_\_\_

Serial Number \_\_\_\_\_

## Contact

### WE'RE HERE TO HELP YOU! NEED ASSISTANCE SETTING UP THIS PRODUCT?

Make sure you:

1. Visit **[www.iogear.com](http://www.iogear.com)** for more product information
2. Visit **[www.iogear.com/support](https://www.iogear.com/support)** for live help and product support

### IOGEAR

[www.iogear.com](http://www.iogear.com)

<https://iogear.custhelp.com>

[support@iogear.com](mailto:support@iogear.com)







