



# TROVE™

## Access & Power Integration

### **T3MK75F16**

#### **16 Door Kit with Fused Outputs**

*Fully assembled kit includes:*

- Trove3 enclosure with TM3 Altronix/Mercury backplane
- One (1) eFlow104NB - Power Supply/Charger
- One (1) eFlow102NB - Power Supply/Charger
- Two (2) ACM8 - Fuse Protected Access Power Controllers
- One (1) PD8UL - Fuse Protected Power Distribution Module
- One (1) Rocker Switch Bracket with Two (2) Rocker Switches  
(Not evaluated by UL)

### **T3MK77F16**

#### **16 Door Kit with Fused Outputs**

*Fully assembled kit includes:*

- Trove3 enclosure with TM3 Altronix/Mercury backplane
- Two (2) eFlow104NB - Power Supply/Chargers
- Two (2) ACM8 - Fuse Protected Access Power Controllers
- Two (2) PD8UL - Fuse Protected Power Distribution Modules
- One (1) Rocker Switch Bracket with Two (2) Rocker Switches  
(Not evaluated by UL)

### **T3MK75F16D**

#### **16 Door Kit with PTC Outputs**

*Fully assembled kit includes:*

- Trove3 enclosure with TM3 Altronix/Mercury backplane
- One (1) eFlow104NB - Power Supply/Charger
- One (1) eFlow102NB - Power Supply/Charger
- Two (2) ACM8CB - PTC Protected Access Power Controllers
- One (1) PD8ULCB - PTC Protected Power Distribution Module
- One (1) Rocker Switch Bracket with Two (2) Rocker Switches  
(Not evaluated by UL)

### **T3MK77F16D**

#### **16 Door Kit with PTC Outputs**

*Fully assembled kit includes:*

- Trove3 enclosure with TM3 Altronix/Mercury backplane
- Two (2) eFlow104NB - Power Supply/Chargers
- Two (2) ACM8CB - PTC Protected Access Power Controllers
- Two (2) PD8ULCB - PTC Protected Power Distribution Modules
- One (1) Rocker Switch Bracket with Two (2) Rocker Switches  
(Not evaluated by UL)

All components of these Trove kits are UL Listed sub-assemblies.

Please refer to the included corresponding Sub-Assembly Installation Guides for further information.

## **Installation Guide**



**More than just power.™**

All registered trademarks are property of their respective owners.

**Rev. T3MK071818**

Installing Company: \_\_\_\_\_ Service Rep. Name: \_\_\_\_\_

Address: \_\_\_\_\_ Phone #: \_\_\_\_\_

### Overview:

Altronix Trove Mercury kits are pre-assembled and consist of Trove3M3 enclosure/backplane with factory installed Altronix power supply/charger(s) and sub-assemblies. These kits also accommodate various combinations of Mercury boards for up to sixteen (16) doors in a single enclosure.

### Configuration Chart:

Altronix Model Number	120V AC 60Hz Input Current (A)	Power Supply Board Input Fuse Rating	Power Supply Board Battery Fuse Rating	Nominal DC Output Voltage				Maximum Supply Current for Main and Aux. Outputs on Power Supply board and ACM8(CB) Access Power Controller's outputs	Fail-Safe/Fail-Secure or Dry Form "C" Outputs	Current Per ACM8(CB) Output (A)	ACM8(CB) Board Input Fuse Rating	ACM8 Board Output Fuse Rating	ACM8CB Board Output PTC Rating	PD8UL Board Output Fuse Rating	PD8ULCB Board Output Fuse Rating
				Power Supply 1		Power Supply 2									
				[DC]	[Aux]	[DC]	[Aux]								
				Output Range (VDC)	Output Range (VDC)	Output Range (VDC)	Output Range (VDC)								
T3MK75F16	8	6.3A/250V 5A/250V	15A/ 32V	20.17- 26.4	20.28- 26.4	9.7- 13.2	10.03- 13.2	12VDC @ 9.3A 24VDC @ 9.2A	16	2.5	10A/ 250V	2.5A/ 250V	-	3.5A/ 250V	-
T3MK75F16D	8	6.3A/250V 5A/250V	15A/ 32V	20.17- 26.4	20.28- 26.4	9.7- 13.2	10.03- 13.2	12VDC @ 9.3A 24VDC @ 9.2A	16	2.5	10A/ 250V	-	2A	-	2.5A
T3MK77F16	9	6.3A/ 250V	15A/ 32V	20.17- 26.4	20.28- 26.4	20.17- 26.4	20.28- 26.4	24VDC @ 9.2A	16	2.5	10A/ 250V	2.5A/ 250V	-	3.5A/ 250V	-
T3MK77F16D	9	6.3A/ 250V	15A/ 32V	20.17- 26.4	20.28- 26.4	20.17- 26.4	20.28- 26.4	24VDC @ 9.2A	16	2.5	10A/ 250V	-	2A	-	2.5A

### Hardware and Accessories:

- Two (2) tamper switches (Altronix Model TS112 or equivalent).
- Cam lock.
- Battery leads.

### Mechanical:

- 16 Gauge enclosure with ample knockouts for convenient access.
- Enclosure Dimensions (H x W x D): 36.12" x 30.125" x 7.06" (917.5mm x 768.1mm x 179.3mm).

### Installation Instructions:

Wiring methods shall be in accordance with the National Electrical Code/NFPA 70/ANSI, and with all local codes and authorities having jurisdiction. Product is intended for indoor use only.

1. Remove backplane from enclosure. Do not discard hardware.
2. Mark and predrill holes in the wall to line up with the top three keyholes in the enclosure. Install three upper fasteners and screws in the wall with the screw heads protruding. Place the enclosure's upper keyholes over the three upper screws, level and secure. Mark the position of the lower three holes. Remove the enclosure. Drill the lower holes and install the three fasteners. Place the enclosure's upper keyholes over the three upper screws. Install the three lower screws and make sure to tighten all screws.
3. Mount included UL Listed tamper switches (Altronix Model TS112 or equivalent) in desired location, opposite hinge. Slide the tamper switch bracket onto the edge of the enclosure approximately 2" from the right side (Fig. 1, pg. 2). Connect tamper switch wiring to the Access Control Panel input or the appropriate UL Listed reporting device. To activate alarm signal open the door of the enclosure.
4. Mount Mercury boards to backplane, refer to pg. 3, 4.
5. Refer to the *eFlow Power Supply/Charger Installation Guide* for eFlow104NB, eFlow102NB and corresponding *Sub-Assembly Installation Guides* for PD8UL(CB) and ACM8(CB) for further installation instructions.
6. Position Mercury access controller module over corresponding standoffs and depress onto snap on standoffs (Fig. 2-3, pg. 3-4).
7. Mount backplane to enclosure with hardware.

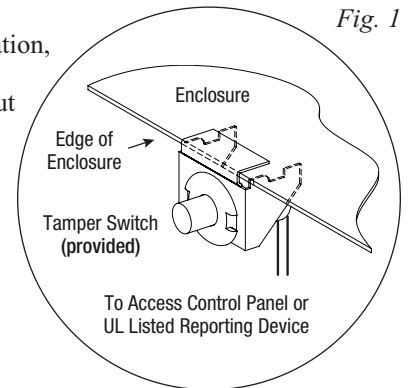


Fig. 1

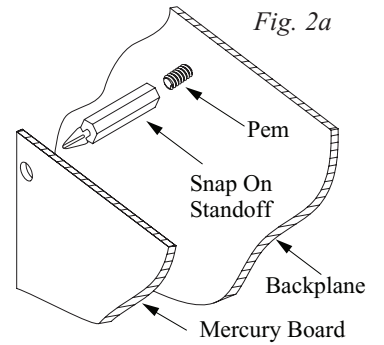
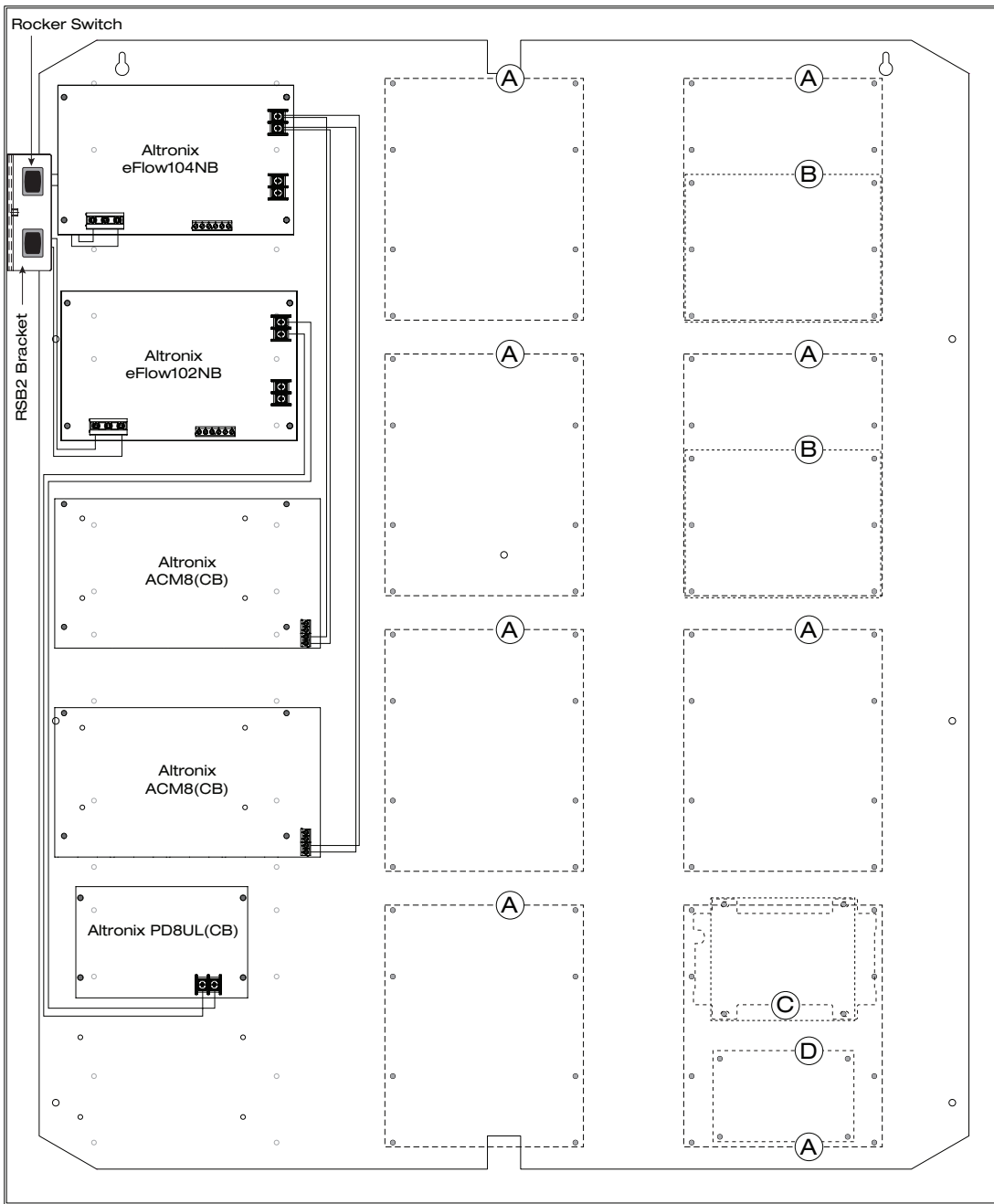
### T3MK75F16 and T3MK75F16D: Configuration of Mercury Boards:

1. Fasten snap on standoffs onto metal pems configuration (A) (B) of backplane depending on the access controller (Fig. 2, pg. 3).
2. Position access controller module over corresponding standoffs and depress onto snap on standoffs (Fig. 2a, pg. 3).
3. Mount backplane to enclosure with hardware.

#### Access Controller Position Chart for the Following Models:

Mercury Access Controller	Pem Mounting
EP1502, MR52, MR16IN, MR16OUT	(A)
EP2500, MUX8	(B)
EP1501, MR51e	(C)
MR52	(D)

Fig. 2



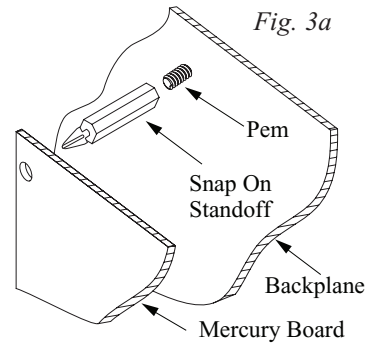
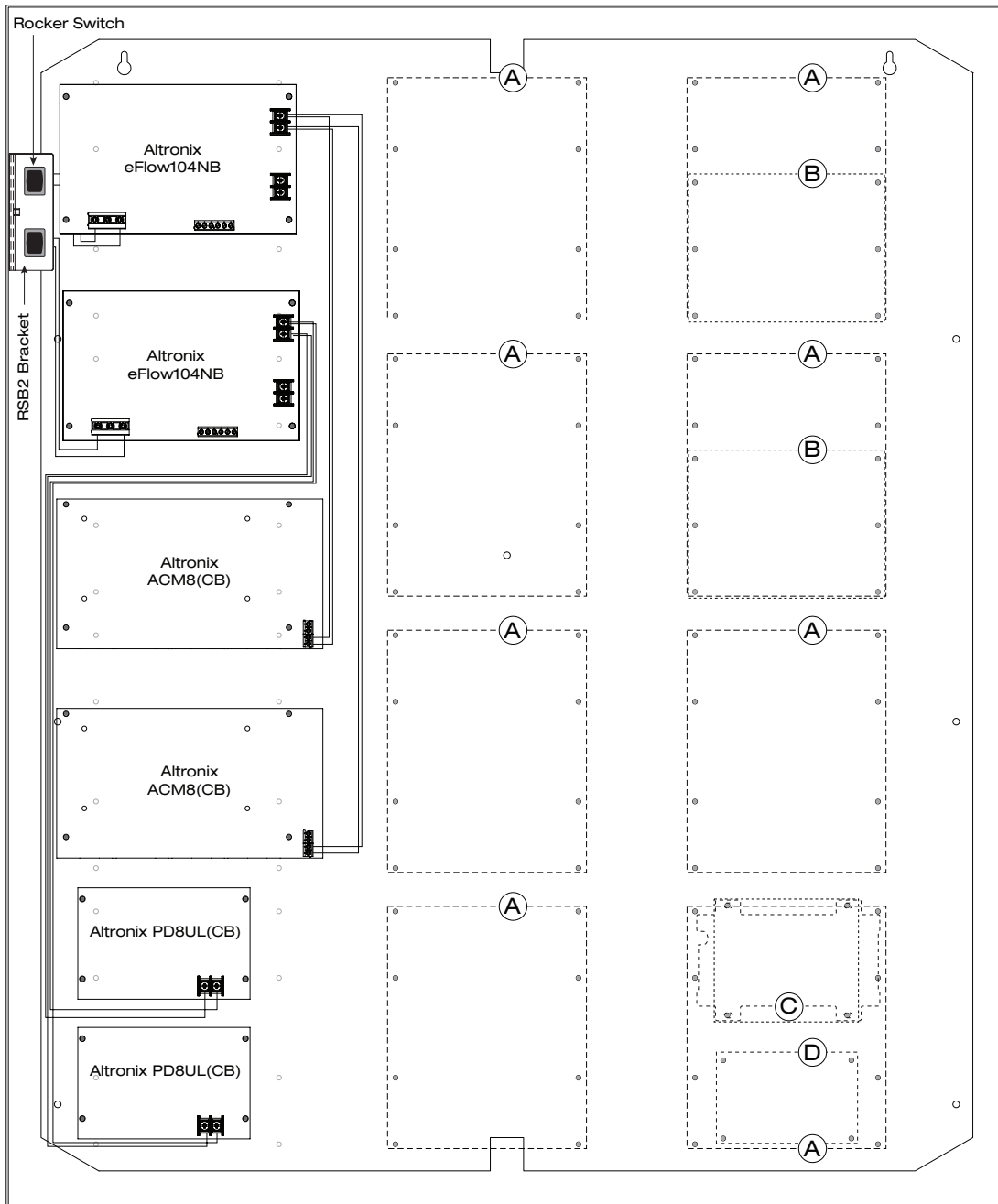
### T3MK77F16 and T3MK77F16D: Configuration of Mercury Boards on TM3:

1. Fasten snap on standoffs onto metal pems configuration (A) (B) of backplane depending on the access controller (Fig. 3, pg. 4).
2. Position access controller module over corresponding standoffs and depress onto snap on standoffs (Fig. 3a, pg. 4).
3. Mount backplane to enclosure with hardware.

#### Access Controller Position Chart for the Following Models:

Mercury Access Controller	Pem Mounting
EP1502, MR52, MR16IN, MR16OUT	(A)
EP2500, MUX8	(B)
EP1501, MR51e	(C)
MR52	(D)

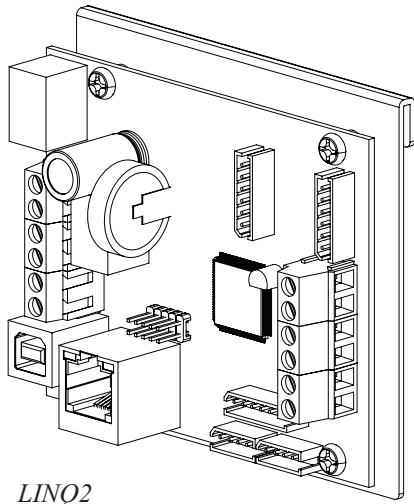
Fig. 3



**Notes:**



**eFlow Power Supply/Chargers can be Controlled and Monitored while Reporting Power/Diagnostics from Anywhere over the Network...**



LINQ2

# LINQ™

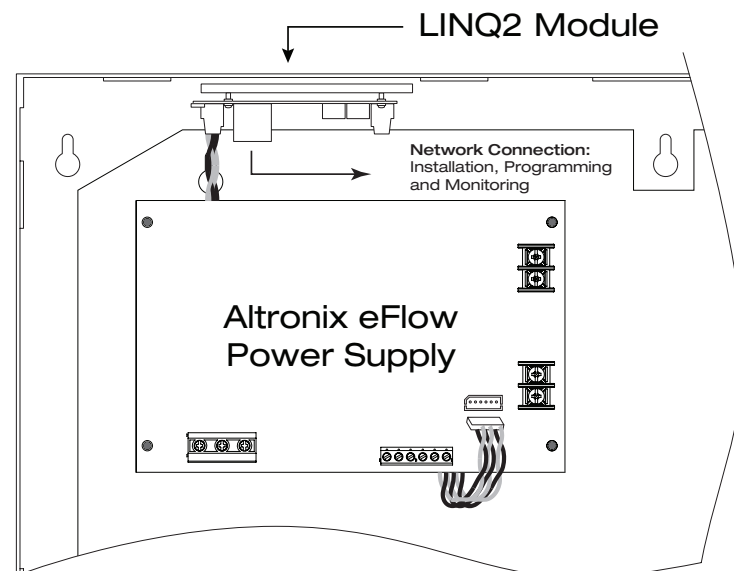
## LINQ2 - Network Communication Module

LINQ2 provides remote IP access to real-time data from eFlow power supply/chargers to help keep systems up and running at optimal levels. It facilitates fast and easy installation and set-up, minimizes system downtime, and eliminates unnecessary service calls, which helps reduce Total Cost of Ownership (TCO) - as well as creating a new source of Recurring Monthly Revenue (RMR).

### Features:

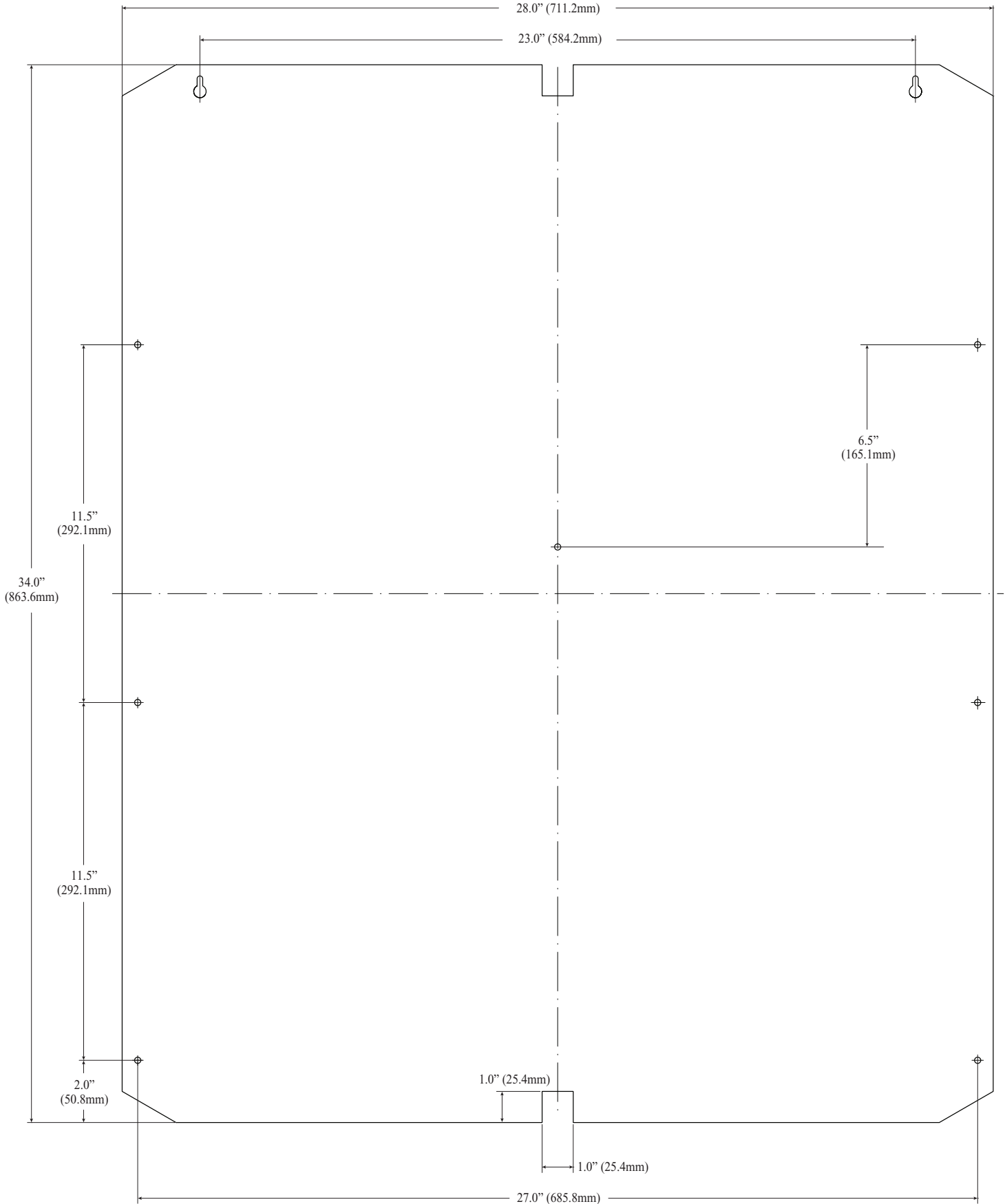
- UL Listed in the U.S. and Canada.
- Local or remote control of up to (2) two Altronix eFlow power output(s) via LAN and/or WAN.
- Monitor real time diagnostics: DC output voltage, output current, AC & battery status/service, input trigger state change, output state change and unit temperature.
- Access control and user management: Restrict read/write, Restrict users to specific resources
- Two (2) integral network controlled Form "C" Relays.
- Three (3) programmable input triggers: Control relays and power supplies via external hardware sources.
- Email and Windows Dashboard notifications
- Event log tracks history.
- Secure Socket Layer (SSL).
- Programmable via USB or web browser - includes operating software and 6 ft. USB cable.

## LINQ2 Mounts Inside any Trove Enclosure

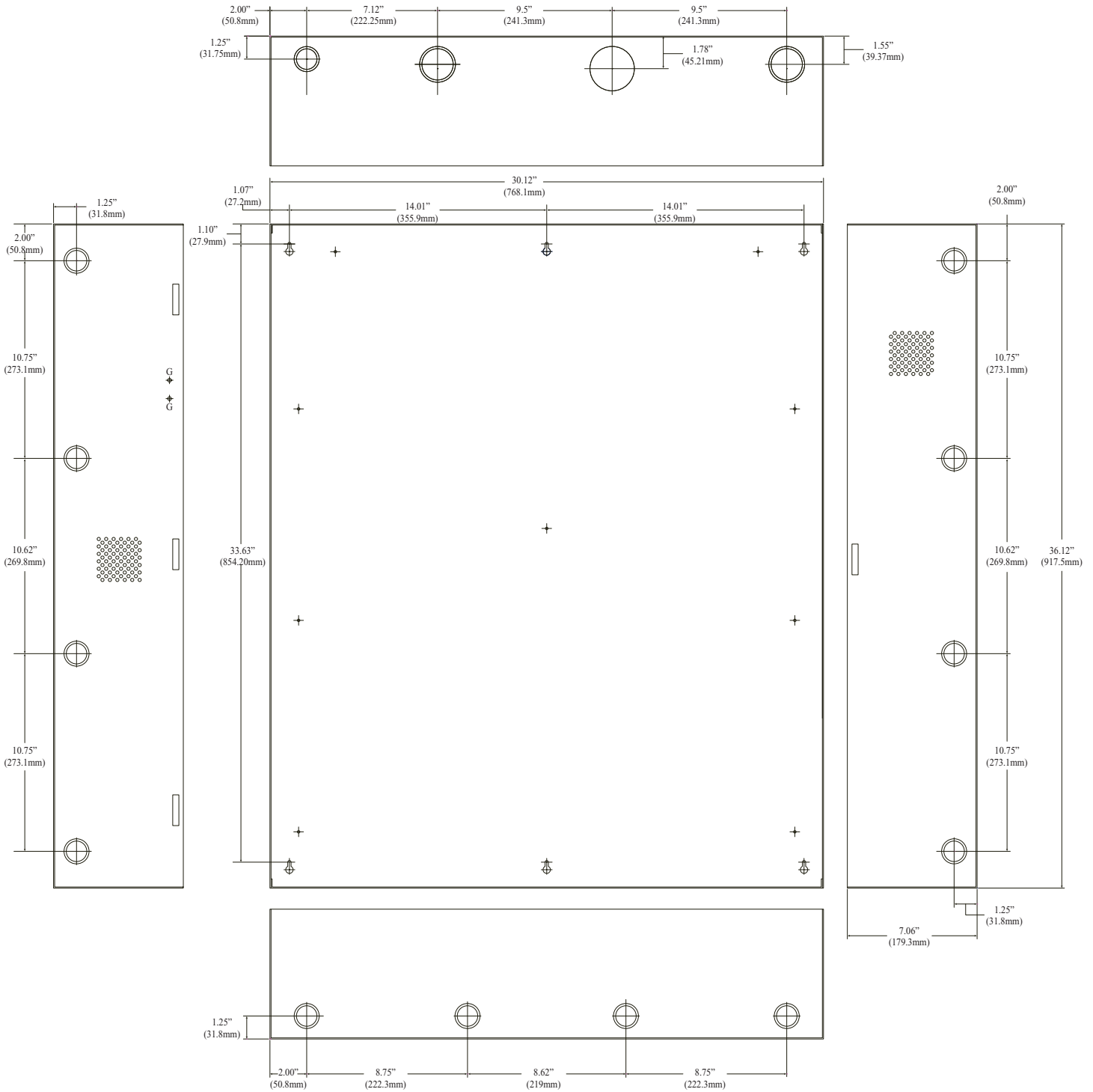


### TM3 Dimensions

34" x 28" x 0.3125" (863.6mm x 711.2mm x 7.9mm)



**Trove3 Enclosure Dimensions (H x W x D approximate):**  
 36.12" x 30.125" x 7.06" (917.5mm x 768.1mm x 179.3mm)



Altronix is not responsible for any typographical errors.

140 58th Street, Brooklyn, New York 11220 USA | phone: 718-567-8181 | fax: 718-567-9056  
 web site: [www.altronix.com](http://www.altronix.com) | e-mail: [info@altronix.com](mailto:info@altronix.com) | Lifetime Warranty | Made in U.S.A.  
 IITrove3M3 Kit Series

A02T



MEMBER

T3MK Kits