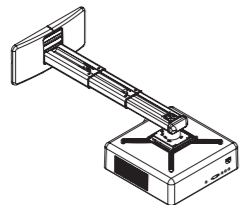




PJ-WMK-305 Quick Start Guide



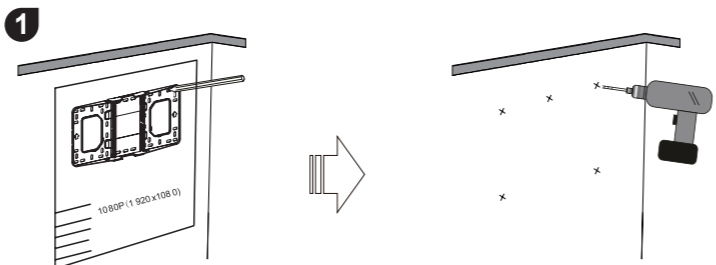
Important Safety Information

- Please read this manual carefully and follow all safety rules before installation.
- For safety reasons, please make sure the wall is strong enough to sustain the weight of the projector & wall mount.
- The total maximum weight of all items mounted should NEVER exceed the weight capacity: 55 lbs (25kg).
- DO NOT attempt to alter or modify any part of the wall mount or its attachments.
- Do not install the projector wall mount on a structure that is prone to vibration, movement or chance of impact.
- To avoid risk of fire, do not install the projector with the projector wall mount in a humid or excessively dusty place.
- Use the supplied accessories only. Use of accessories other than those supplied may result in damage to the projector and/or projector wall mount.
- Unplug the AC power cord and any other connected cables before dismantling the projector from the projector wall mount.
- Do not hit or hang any heavy objects on the projector wall mount. If the projector wall mount is damaged, stop using immediately and contact a qualified service personnel immediately.
- Only install the projector wall mount horizontally on the level surfaces.
- * The manufacturer is not liable for any damages or injury caused by mishandling or improper installation.**
- The projector or wall mount may fall and cause personal injury. Ensure screws are tightened to the proper torque after installation and any adjustments. Do not overtighten screws as this may cause screw deformation.
- This wall mount kit ONLY supports ViewSonic® projectors and models that are designated by ViewSonic. Use with non-ViewSonic branded projectors or exceeding the weight capacity is neither supported nor recommended, may cause property damage or personal injury, and shall be at the sole risk of users/installers.

Checking The Supplied Accessories

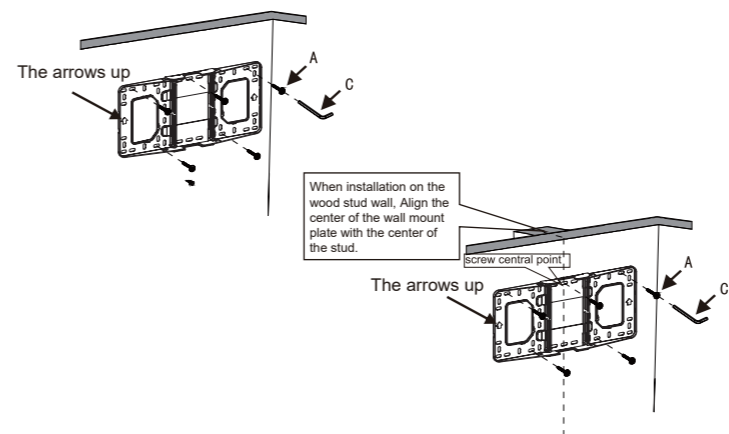
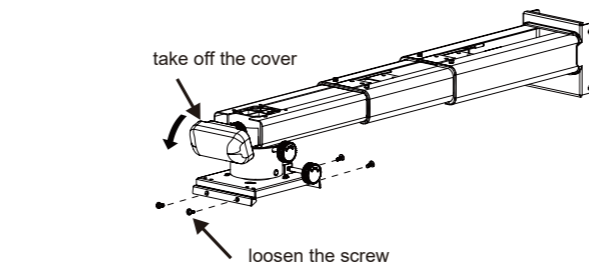
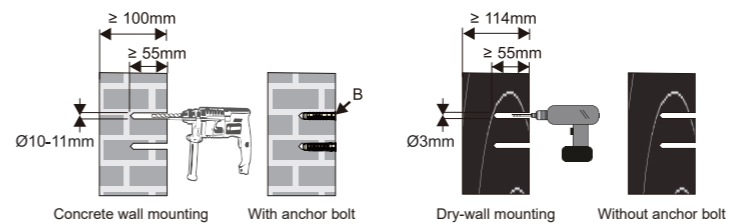
NO	diagrammatic presentation	Specification	quantity
A		Screw(M6x55)	5
B		Φ10mm Anchor bolt	5
C		L5 Allen key	1
D		L3 Allen key	1
E		Screw (M4X10)	4
F		Screw(M6x15)	4
G		M4 Connecting Screw	4
H		Screw(M5x12)	4
I		M5 nuts	4

Setting The Projector Wall Mount On The Wall

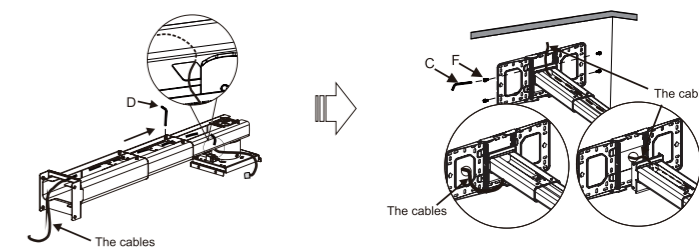


- If the board has been installed, please align the center line of the projector lens on the installation chart with that of the screen or board to locate the place of the mount period.
- For concrete wall mounting, thickness of the wall must be not less than 4" (100mm). Anchor bolt and screw (M6x55) are needed to be used for concrete wall installation.
- For Dry-wall mounting, thickness of the dry-wall must be not less than 4.5" (114mm). Only screw (M6x55) is needed to be used for installation, and gypsum board thickness less than 0.59" (15mm).

Note: If the thickness of wall is not strong enough, reinforce it sufficiently before installation.



• Insert Screw A (M6x55) from the fixing kit, tighten with a L5 Allen Key from fixing kit.



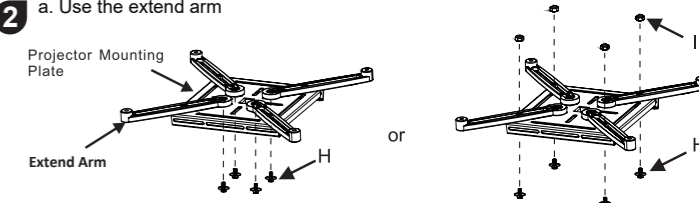
Loosen the screws with L3 allen wrench, pull out the support arm around 4" (100mm) and make power cable & signal cables go through the support arm.

The cables can go through the wall plate by three ways as shown in the pictures. Then, tighten the screw F after locating the projector position.

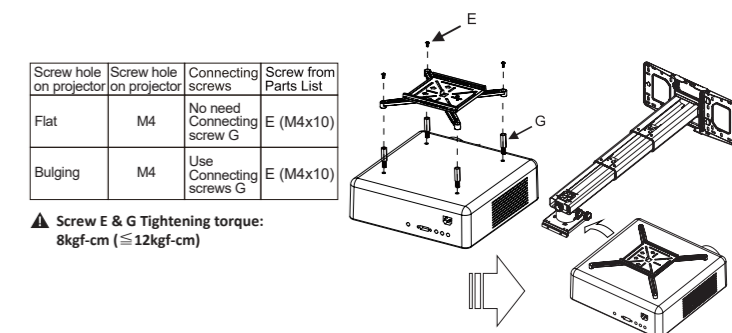
- Insert Screw F(M6x15) from the fixing kit, tighten with a L5 Allen Key from fixing kit.

Installing The Projector On The Projector Wall Mount

2 a. Use the extend arm



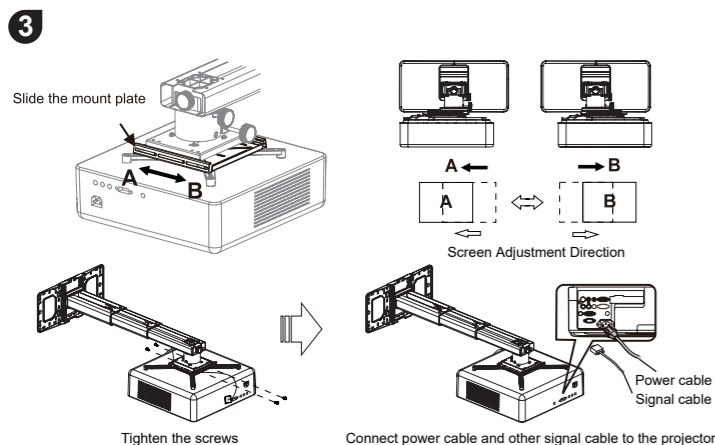
b. Install the Projector Mounting Plate to the Projector



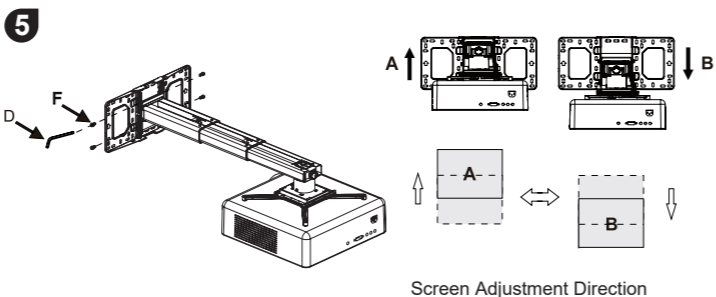
Screw hole on projector	Screw hole on projector	Connecting screws	Screw from Parts List
Flat	M4	No need Connecting screw G	E (M4x10)
Bulging	M4	Use Connecting screws G	E (M4x10)

▲ Screw E & G Tightening torque: 8kgf-cm (≤12kgf-cm)

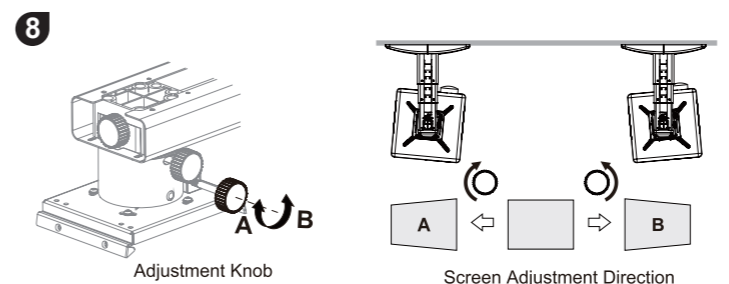
Adjusting The image horizontally



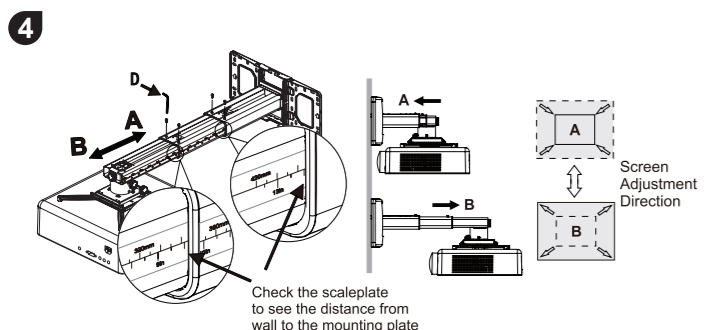
Adjusting The Image Height



Adjusting The Horizontal Rotation

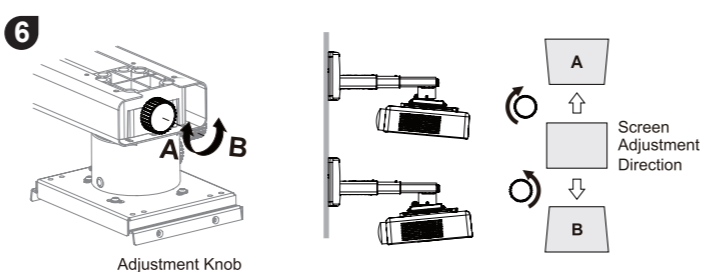


Adjusting The Image Size

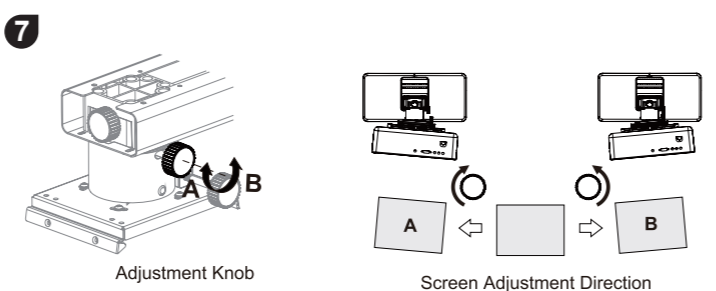


Note: To make adjustments to meet your demands, screws must be loosened in a specific order, as shown in the above figure. (When the length of inside arm 895mm do not meet your demands, then you should loose the screws on the outside arm to adjust the middle arm. Under this circumstance, the number read on the middle arm is correct).

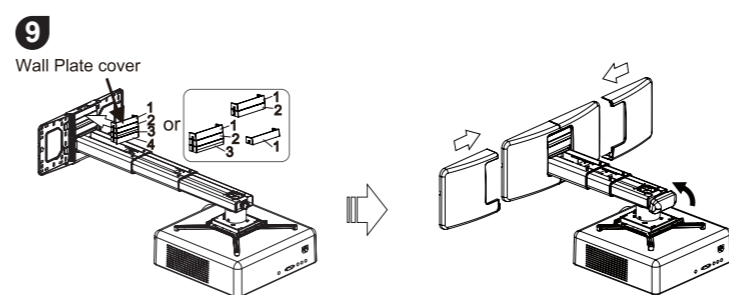
Adjusting The Vertical Tilt



Adjusting The Horizontal Roll



Placing The Decorative Cover



Note: When all adjustments are done, the wall plate covers can be used to cover the blank area on the top of wall plate. The number of wall plate cover used depends on the size of blank area. But the wall cover must be used in an specific order as the picture on left shows. Finally, put the wall cover on.

Product Information

Model	PJ-WMK-305
Net Weight	15 lb (6.8 kg)
Weight Capacity	22 lb (10.0 kg)
Extendable Length	19"-49" (495-1250mm)
Adjustment Angle	Vertical tilt, Horizontal roll, Horizontal rotation ±5°



- 中国**
http://www.viewsonic.com.cn
电话: 4008 988 188
- 香港**
http://www.hk.viewsonic.com
电话: 852 3102 2900
- 澳門**
http://www.hk.viewsonic.com
电话: 853 2833 8407
- 台灣**
http://www.viewsonic.com.tw
电话: 0800 899 880
- 韓國**
http://ap.viewsonic.com/kr/
Phone: 080 333 2131
- Singapore/Malaysia/Thailand**
http://www.viewsonic.com.sg
Phone: 65 6461 6044
- India**
http://www.in.viewsonic.com
Phone: 1800-419-0959
- United States**
http://www.viewsonic.com
Phone: 1-800-688-6688
- Canada**
http://www.viewsonic.com
Phone: 1-866-463-4775
- Europe**
http://www.viewsoniceurope.com
http://www.viewsoniceurope.com/uk/support/call-desk/
- Australia/New Zealand**
http://www.viewsonic.com.au
Phone: 1800 880 818 (AUS)
0800 008 822 (NZ)
- South Africa**
http://ap.viewsonic.com/zal
- Latin America (Chile)**
http://www.viewsonic.com/la/
http://www.viewsonic.com/la/soporte/servicio-technico
- Latin America (Mexico)**
http://ap.viewsonic.com/kr/
http://www.viewsonic.com/la/soporte/servicio-technico
- Latin America (Peru)**
http://www.viewsonic.com/la/
http://www.viewsonic.com/la/soporte/servicio-technico
- Latin America (Argentina)**
http://www.viewsonic.com/la/
http://www.viewsonic.com/la/soporte/servicio-technico
- Puerto Rico & Virgin Islands**
http://www.viewsonic.com
Phone: 1-800-688-6688 (English)
http://www.viewsonic.com/la/soporte/servicio-technico