

TRIVIVE™

Access & Power Integration



Combine Altronix Power and Accessories with
Access Controllers from the Industry's Leading Manufacturers

Installation Guide



More than just power.™

All registered trademarks are property of their respective owners.

Rev. 101817

Installing Company: _____ Service Rep. Name: _____

Address: _____ Phone #: _____

Overview:

Trove accommodates various combinations of access controllers and accessories from the industry's leading manufacturers with or without Altronix power supplies and accessories for access systems. A variety of backplanes offer a wide range of scalable access and power configurations. Trove simplifies board layout and wire management, while reducing installation and labor costs.

Trove Model Identification:

Series	Trove Enclosure Size	Backplane Model (Access Controller Manufacturer)	Backplane Size
Trove	1 18" x 14.5" x 4.625" (457mm x 368mm x 118mm)	C = CDVI*	1 16.625" x 12.5" x 0.3125" (422.3mm x 317.5mm x 7.9mm) *TC1 Dimensions: 16.625" x 12.5" x 0.06" (422.3mm x 317.5mm x 1.5mm)
		DM = DMP	
		ED = Eastern Datacom	
		JC = Johnson Controls	
		LU = XPR	
		M = Mercury	
		PD = ProdataKey	
		SA = Salto	
		V = HID/VertX	
	2 27.25" x 21.75" x 6.5" (692.2mm x 552.5mm x 165.1mm)	AM = AMAG	2 25.375" x 19.375" x 0.3125" (644.5mm x 492.1mm x 7.9mm) **TBL2 Dimensions: 25.375" x 19.375" x 0.06" (644.5mm x 492.1mm x 1.5mm)
		AG = AMAG	
		BH = Bosch	
		BL = Universal Blank Backplane**	
		CV = CDVI	
		DM = DMP	
		HN = Honeywell NetAXS	
		HW = Honeywell ProWatch/WinPak	
		JC = Johnson Controls	
		KA = Keyscan	
		KH = Kantech	
		LU = XPR	
		M = Mercury	
		PX = Paxton	
		SA = Salto	
	SH = Software House		
	SL = Sielox		
	SS = Lenel-S2 (S2 Security Platform)		
	V = HID/VertX		
	Z = ZKTeco		
	3 36.12" x 30.125" x 7.06" (917.5mm x 768.1mm x 179.3mm)	BL = Universal Blank Backplane***	3 34.0" x 28.0" x 0.3125" (863.6mm x 711.2mm x 7.9mm) ***TBL3 Dimensions: 34.0" x 28.0" x 0.06" (863.6mm x 711.2mm x 1.5mm)
CV = CDVI			
HW = Honeywell ProWatch/WinPak			
JC = Johnson Controls			
M = Mercury			
SH = Software House			
SS = Lenel-S2 (S2 Security Platform)			
V = HID/VertX			

Door Backplanes for System Expansion:

TBHD2 - Trove2 and Trove3 door backplane compatible with Bosch Control Panel and modules

THWD2 - Trove2 and Trove3 door backplane compatible with Honeywell ProWatch/WinPak boards.

TMV2 - Trove2 and Trove3 door backplane compatible with Mercury or HID/VertX boards and Altronix sub-assemblies (Fig. 11, pg. 13).

Specifications:

Agency Listings:

- UL 294 - 6th edition. Trove1 and Trove2 Power Controllers: Line Security I, Destructive Attack I, Endurance IV, Stand-by Power II.
- This Class B digital apparatus complies with Canadian ICES-003.
Cet appareil numérique de la classe B est conforme à la norme NMB-003 du Canada.
- CE European Conformity.

Environmental:

- Humidity and Temperature conditions as tested by UL (85%, +/-5% @ 30°C +/-2°C), ULC (93%, +/-2% @ 32°C +/-2°C).

Battery Backup:

- Trove1 enclosure accommodates up to two (2) 12VDC/7AH batteries.
- Trove2 enclosure accommodates up to four (4) 12VDC/12AH batteries.
- Trove3 enclosure accommodates up to four (4) 12VDC/12AH batteries.

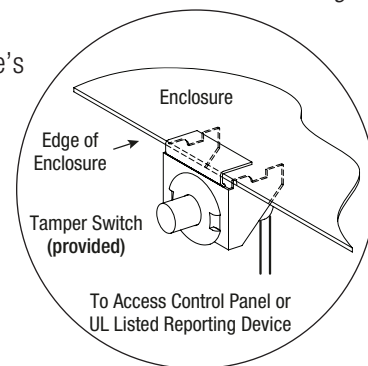
Additional Features:

- 16 Gauge enclosure with ample knockouts for convenient access.

Enclosure Installation Instructions:

1. Remove backplane from enclosure. Do not discard hardware.
2. Mark and predrill holes in the wall to line up with the top two/three keyholes in the enclosure. Install two/three upper fasteners and screws in the wall with the screw heads protruding. Place the enclosure's upper keyholes over the two/three upper screws; level and secure. Mark the position of the lower holes. Remove the enclosure. Drill the lower holes and install the two/three fasteners. Place the enclosure's upper keyholes over the two/three upper screws. Install the two/three lower screws and make sure to tighten all screws (*refer to enclosure drawings pages 18-20*).
3. Mount included UL Listed tamper switch (Altronix Model TS112 or equivalent) in desired location, opposite hinge. Slide the tamper switch bracket onto the edge of the enclosure approximately 2" from the right side (*Fig. 1, pg. 3*). Connect tamper switch wiring to the Access Control Panel input or the appropriate UL Listed reporting device. To activate alarm signal open the door of the enclosure.
4. Mount boards to backplane, refer to individual *Trove installation instructions*.

Fig. 1



Power Supply/Charger Installation Instructions:

Wiring methods shall be in accordance with the National Electrical Code/NFPA 70/ANSI, CSA C22.1, Canadian Electrical Code, Part I, Safety Standard for Electrical Installations, Part I, and with all local codes and authorities having jurisdiction.

Product is intended for indoor use only, within the protected or restricted area.

1. The power supply is pre-wired to the ground (chassis). Connect main incoming ground to the provided green grounding conductor lead. Connect unswitched AC power (115VAC/120VAC 60Hz) to the terminals marked [L, N] on a single or both power supply boards. Use 14 AWG or larger for all power connections.

Keep power-limited wiring separate from non power-limited wiring.

Minimum 0.25" spacing must be provided (*Figs. 5-12, pgs. 7-14*).

CAUTION: Do not touch exposed metal parts. Shut branch circuit power before installing or servicing equipment.

There are no user serviceable parts inside. Refer installation and servicing to qualified service personnel.

2. Select desired DC output voltage by setting SW1 to the appropriate position on the AL400ULXB2, AL600ULXB, eFlow4NB, and eFlow6NB power supply (*Fig. 2, pg. 5*). AL1012ULXB and eFlow102NB power supplies are factory set at 12VDC and AL1024ULXB2 and eFlow104NB power supplies are factory set at 24VDC.
3. Measure the output voltage of the unit before connecting any devices to ensure proper operation. Improper or high voltage will damage these devices (*Figs. 3d, 4h, pg. 6, Figs. 5-10, pgs. 7-12, Fig. 12, pg. 14*).
4. Connect devices or Altronix sub-assembly modules to be powered to the terminals marked [- DC +] (*Figs. 3d, 4h, pg. 6, Figs. 5-10, pgs. 7-12, Fig. 12, pg. 14*).

eFlow Power Supply: For auxiliary device connection, this output will not be affected by Low Power Disconnect or Fire Alarm Interface. Connect device to the terminals marked [+ AUX -] (*Fig. 3f, pg. 6, Figs. 5-12, pgs. 7-14*).

5. For Access Control applications batteries are optional. Batteries are not optional for ULC-S319. Capacity capable of providing 30 minutes of stand-by is required (*See Power Supply Specifications, Pg. 3*). When batteries are not used, a loss of AC will result in the loss of output voltage. When the use of stand-by batteries is desired, they must be lead acid. Connect battery to the terminals marked [- BAT +]. Use two (2) 12VDC batteries connected in series for 24VDC operation (battery leads included) (*Figs. 3c, 4g, pg. 6, Figs. 5-10, pgs. 7-12, Fig. 12, pg. 14*). Use batteries - Casil CL1270 (12V/7AH), CL12120 (12V/12AH) batteries or UL recognized BAZR2 batteries of an appropriate rating.
6. Connect appropriate signaling notification devices to AC FAIL & BAT FAIL supervisory relay outputs (*Figs. 3b, 4b, pg. 6, Figs. 5-10, pgs. 7-12, Fig. 12, pg. 14*).

For eFlow Power Supply/Chargers (steps 7-10):

7. To delay AC reporting for 2 hrs., set dip switch [AC Delay] to OFF position (Fig. 4c, pg. 6, Figs. 5-10, pgs. 7-12, Fig. 12, pg. 14).
To delay AC reporting for 1 min., set dip switch [AC Delay] to ON position (Fig. 4c, pg. 6, Figs. 5-10, pgs. 7-12, Fig. 12, pg. 14).
Note: Must be set to ON position for Burglar Alarm Applications.
8. To enable Fire Alarm Disconnect set dip switch [Shutdown] to ON position (Fig. 4c, pg. 6, Figs. 5-10, pgs. 7-12, Fig. 12, pg. 14).
To disable Fire Alarm Disconnect set dip switch [Shutdown] to OFF position (Fig. 4c, pg. 6, Figs. 5-10, pgs. 7-12, Fig. 12, pg. 14).
9. Trigger terminals are end of a line resistor supervised (10k ohms). Opening or shorting trigger terminals will cause [DC] output to shutdown (Fig. 4d, pg. 6, Figs. 5-10, pgs. 7-12, Fig. 12, pg. 14).
10. Place a jumper for non-latching FACP. A momentary short on these terminals resets FACP latching [Trigger EOL Shutdown] (Fig. 4d, pg. 6, Figs. 5-10, pgs. 7-12, Fig. 12, pg. 14).
11. Please ensure that the cover is secured with the provided key lock.

Power Supply Sub-Assembly Specifications:

Altronix Power Supply	Input Rating	Output Rating	Battery Size for 30 min. Backup	Refer to
AL400ULXB2	115VAC, 60Hz, 3.5A	12VDC @ 4A or 24VDC @ 3A	4AH	ULXB Installation Instructions Rev. ULXB-020419
AL600ULXB	115VAC, 60Hz, 3.5A	12VDC or 24VDC @ 6A	7AH	
AL1012ULXB	115VAC, 60Hz, 2.6A	12VDC @ 10A	12AH	
AL1024ULXB2	115VAC, 60Hz, 4.2A	24VDC @ 10A	12AH	eFlow Installation Instructions Rev. EFNB-021319
eFlow4NB*	120VAC, 60Hz, 3.5A	12VDC or 24VDC @ 4A	4AH	
eFlow6NB*	120VAC, 60Hz, 3.5A	12VDC or 24VDC @ 6A	7AH	
eFlow102NB*	120VAC, 60Hz, 3.5A	12VDC @ 10A	12AH	
eFlow104NB*	120VAC, 60Hz, 4.5A	24VDC @ 10A	12AH	

* LINQ2 can be installed when utilizing eFlow power supply/charger boards.

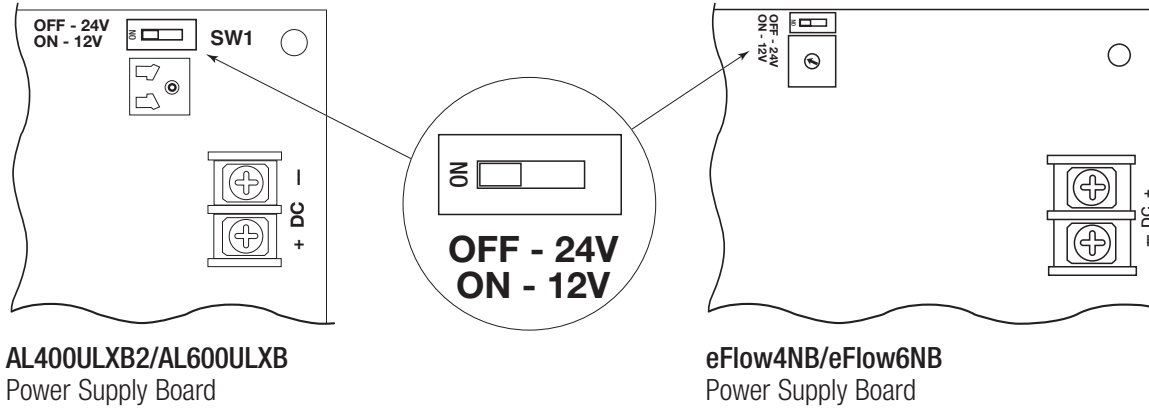
Sub-Assembly Specifications:

Altronix UL Listed Sub-Assembly	Description	Current Draw	Refer to
ACM4(CB)	4 Fused (or PTC) Output Access Power Controller	12VDC @ 0.4A max. or 24VDC @ 0.2A max.	ACM4/ACM4CB Installation Instructions Rev. 052819
ACM8(CB)	8 Fused (or PTC) Output Access Power Controller	12VDC @ 0.6A max. or 24VDC @ 0.3A max.	ACM8/ACM8CB Installation Instructions Rev. 031819
ACMS8(CB)	8 Fused (or PTC) Output Access Power Controller	12VDC @ 0.6A max. or 24VDC @ 0.3A max.	ACMS8/ACMS8CB Installation Instructions Rev. 090518
MOM5	5 PTC Output Power Distribution Module with Fire Alarm Interface	12-24VDC 55mA max.	MOM5 Installation Instructions Rev. 020119
PD4UL(CB)	4 Fused (or PTC) Output Power Distribution Module	N/A	PD4UL Installation Instructions Rev. 020119
			PD4ULCB Installation Instructions Rev. 020119
PD8UL(CB)	8 Fused (or PTC) Output Power Distribution Module	N/A	PD8UL Installation Instructions Rev. 020119
			PD8ULCB Installation Instructions Rev. 020119
PD16W(CB)	16 Fused (or PTC) Output Power Distribution Module	N/A	PD16W/PD16WCB Installation Instructions Rev. 020119
PDS8(CB)	8 Fused (or PTC) Dual Input Power Distribution Module	N/A	PDS8/PDS8CB Installation Instructions Rev. 070116
VR6	Voltage Regulator	24VDC @ 1.75A or 3.5A Output: 5VDC or 12VDC @ 6A	VR6 Installation Instructions Rev. 050517
LINQ2*	Network Communication Module	12-24VDC 100mA max.	LINQ2 Installation Instructions Rev. 060514

* LINQ2 can be installed when utilizing eFlow power supply/charger boards.

Power Supply Board Output Voltage Settings:

Fig. 2



Terminal Identification:

Terminal Legend	Function/Description
L, G, N	Connect 115VAC/120VAC 60Hz to these terminals: L to hot, N to neutral, G to ground (non power-limited) (<i>ULXB - Fig. 3a, pg. 6, eFlow - Fig. 4a, pg. 6</i>).
- DC +	AL300ULXB2 - 12VDC or 24VDC @ 2.5A continuous output (power-limited output) (<i>Fig. 3d, pg. 6</i>). AL400ULXB2 - 12VDC @ 4A or 24VDC @ 3A continuous output (power-limited output) (<i>Fig. 3d, pg. 6</i>). AL600ULXB - 12VDC or 24VDC @ 6A continuous output (non power-limited output) (<i>Fig. 3d, pg. 6</i>). AL1012ULXB - 12VDC @ 10A continuous output (non power-limited output) (<i>Fig. 3d, pg. 6</i>). AL1024ULXB2 - 24VDC @ 10A continuous output (non power-limited output) (<i>Fig. 3d, pg. 6</i>). eFlow3NB - 12VDC or 24VDC @ 2A continuous output (power-limited output) (<i>Fig. 4h, pg. 6</i>). eFlow4NB - 12VDC or 24VDC @ 4A continuous output (power-limited output) (<i>Fig. 4h, pg. 6</i>). eFlow6NB - 12VDC or 24VDC @ 6A continuous output (non power-limited output) (<i>Fig. 4h, pg. 6</i>). eFlow102NB - 12VDC @ 10A continuous output (non power-limited output) (<i>Fig. 4h, pg. 6</i>). eFlow104NB - 24VDC @ 10A continuous output (non power-limited output) (<i>Fig. 4h, pg. 6</i>).
Trigger EOL Supervised (<i>eFlow only</i>)	Fire Alarm Interface trigger input from a short or FACP. Trigger inputs can be normally open, normally closed from an FACP output circuit (Power-Limited input) (<i>Fig. 4d, pg. 6</i>).
NO, GND RESET (<i>eFlow only</i>)	FACP interface latching or non-latching (Power-Limited) (<i>Fig. 4c, pg. 6</i>).
+ AUX - (<i>eFlow only</i>)	Auxiliary Power-Limited output rated @ 1A (unswitched) (Power-Limited output) (<i>Fig. 4f, pg. 6</i>).
AC Fail NC, C, NO	Indicates loss of AC power, e.g. connect to audible device or alarm panel. Relay normally energized when AC power is present. Contact rating 1A @ 30VDC (Power-Limited) (<i>Figs. 3b, 4b, pg. 6</i>).
Bat Fail NC, C, NO	Indicates low battery condition, e.g. connect to alarm panel. Relay normally energized when DC power is present. Contact rating 1A @ 30VDC. A removed battery is reported within 5 minutes. Battery reconnection is reported within 1 minute (Power-Limited) (<i>Figs. 3b, 4b, pg. 6</i>).
- BAT +	Stand-by battery connections (non power-limited) (<i>Figs. 3c, 4g, pg. 6</i>). AL300ULXB2, AL400ULXB2, AL600ULXB and AL1012ULXB - maximum charge current 0.7A. AL1024ULXB2 - maximum charge current 3.6A. eFlow - maximum charge current 1.54A. Note: Expected battery life is 5 years; however, it is recommended changing batteries in 4 years or less if needed.

Maintenance:

Unit should be tested at least once a year for the proper operation as follows:

Output Voltage Test: Under normal load conditions, the DC output voltage should be checked for proper voltage level.

Battery Test: Under normal load conditions check that the battery is fully charged, check specified voltage (12VDC @ 13.2 or 24VDC @ 26.4) both at the battery terminal and at the board terminals marked [- BAT +] to ensure that there is no break in the battery connection wires.

Replacing Batteries: Disconnect existing batteries. Connect battery to the terminals marked [- BAT +]. Use two (2) 12VDC batteries connected in series for 24VDC operation.

Fig. 3 - ULXB Configuration

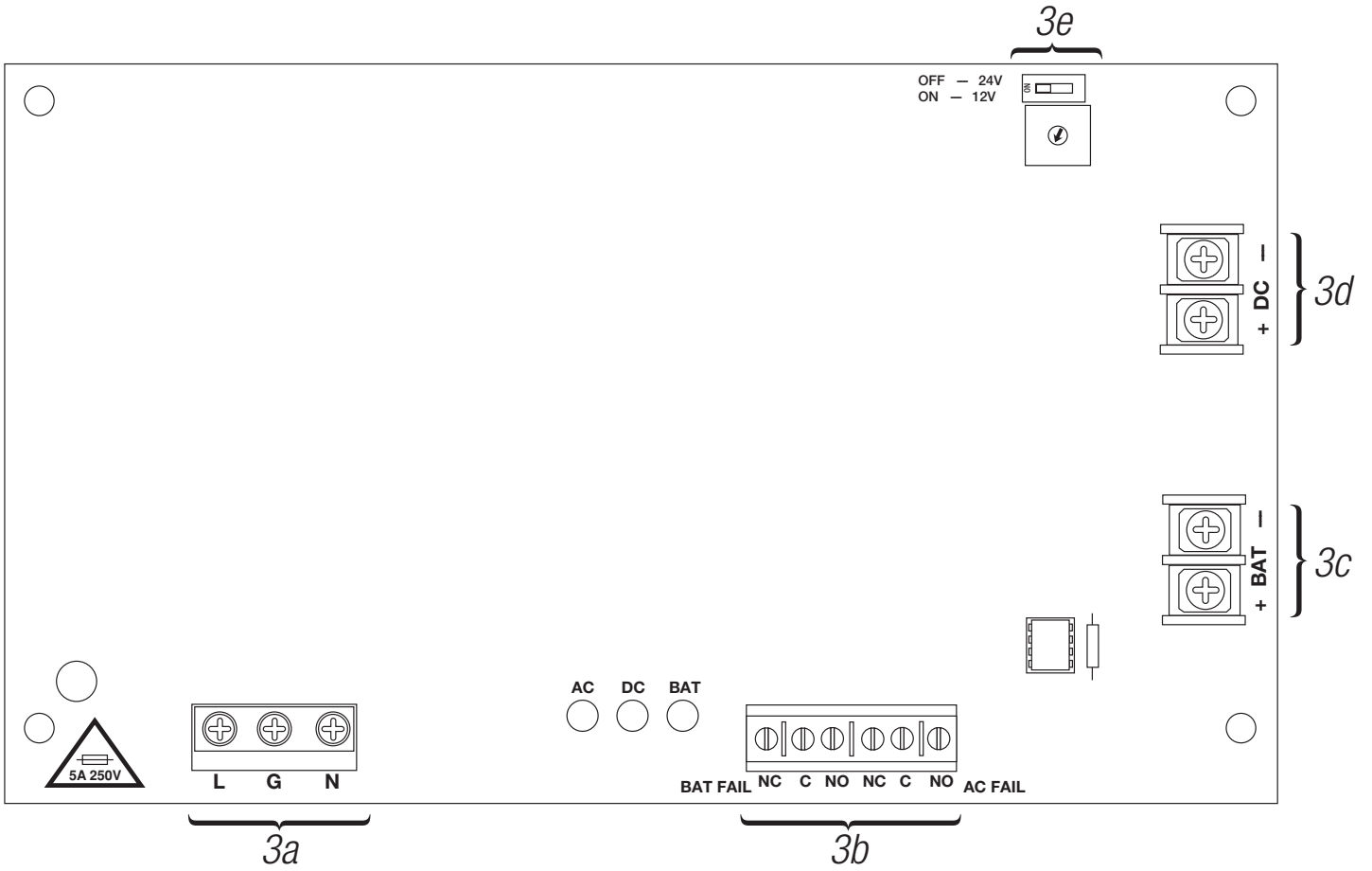
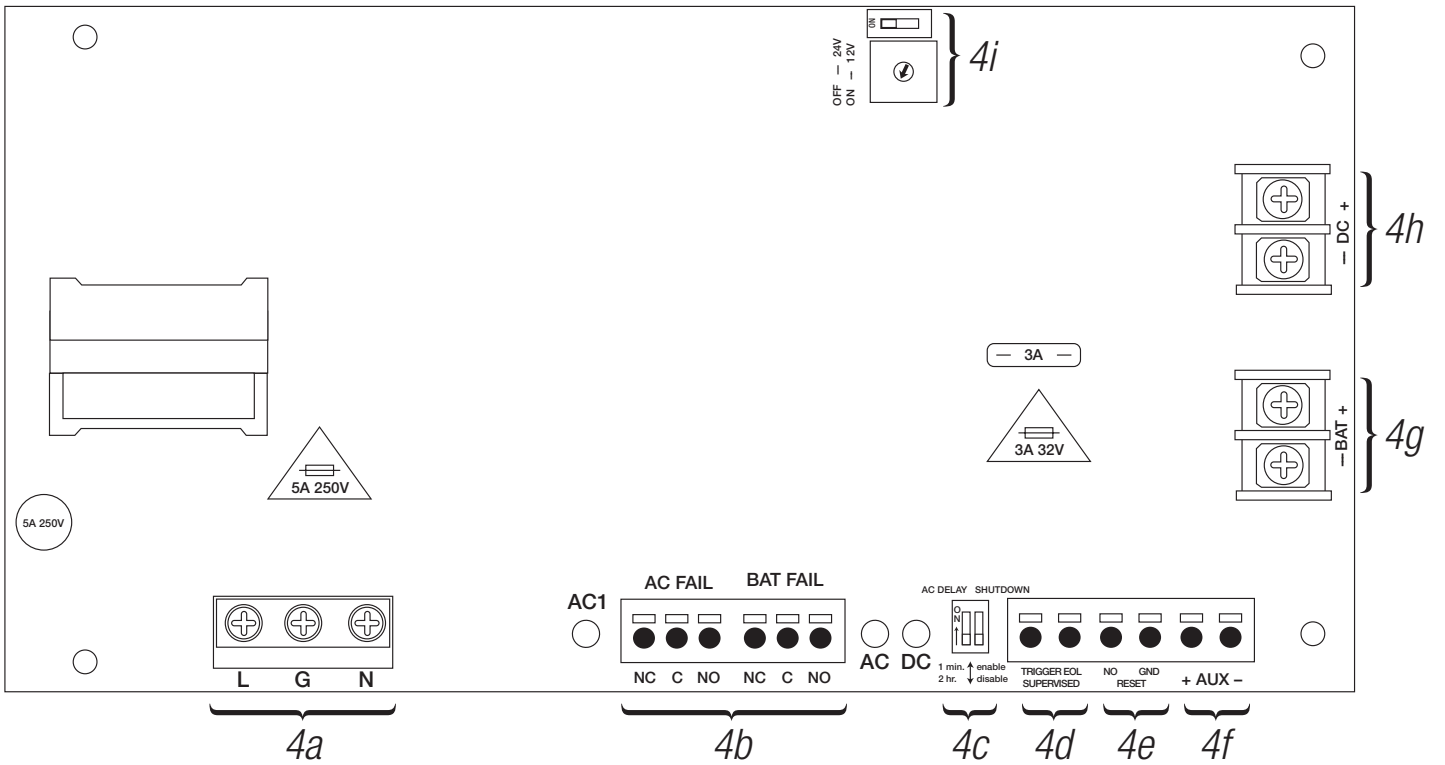
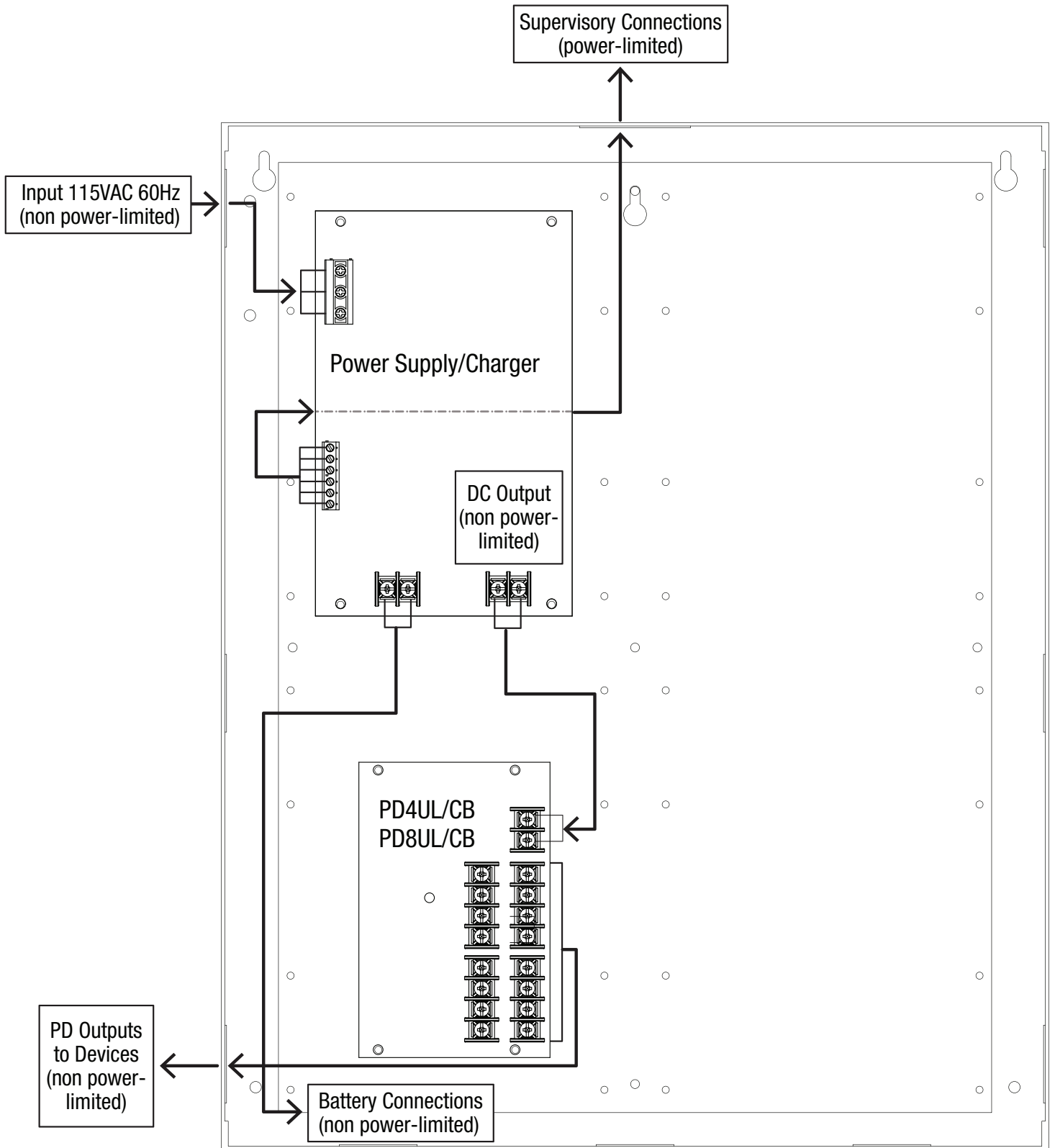


Fig. 4 - eFlowNB Configuration



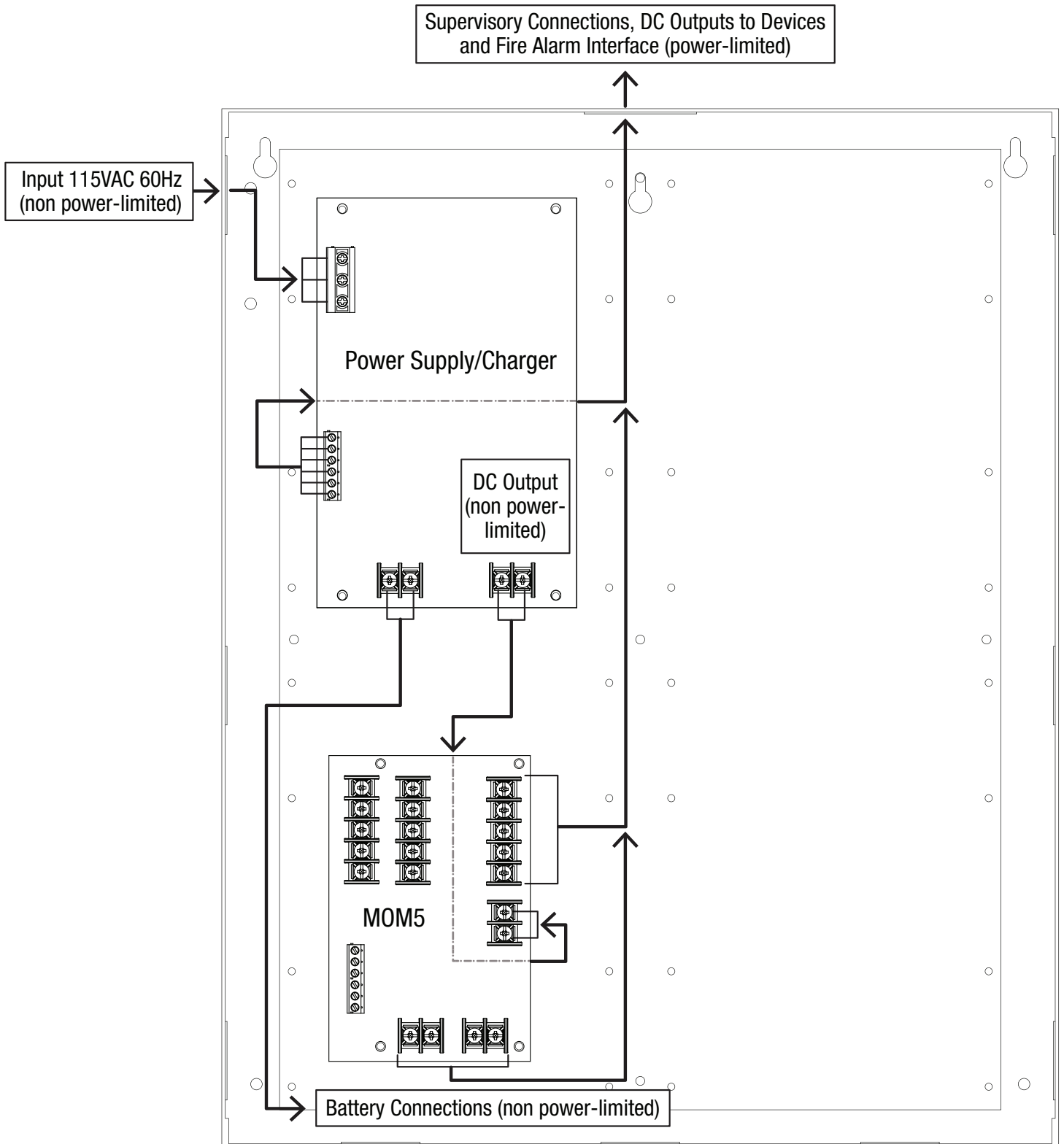
Trove1 Power Distribution Modules Configuration:

Fig. 5



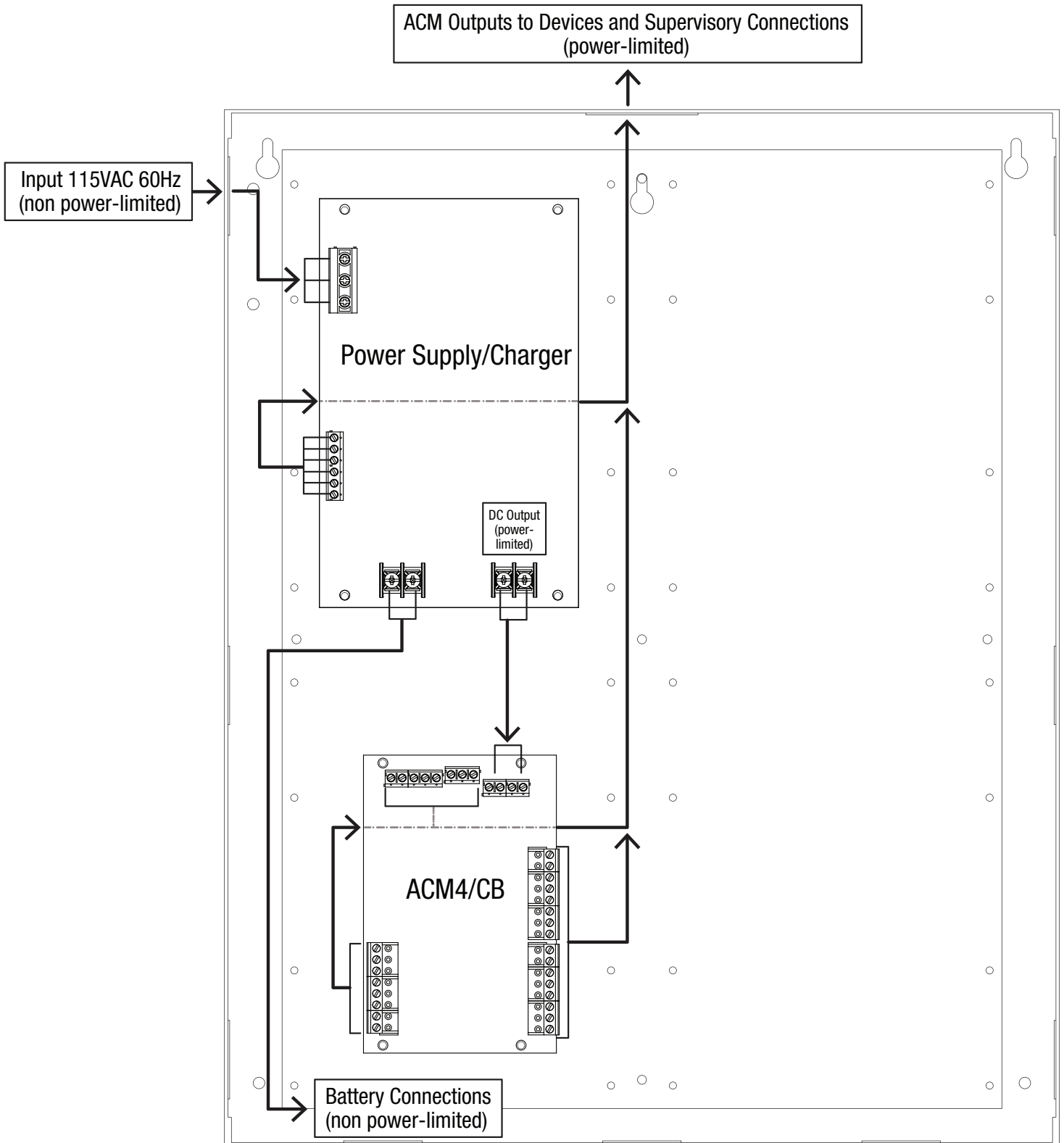
Trove1 MOM5 Configuration:

Fig. 6



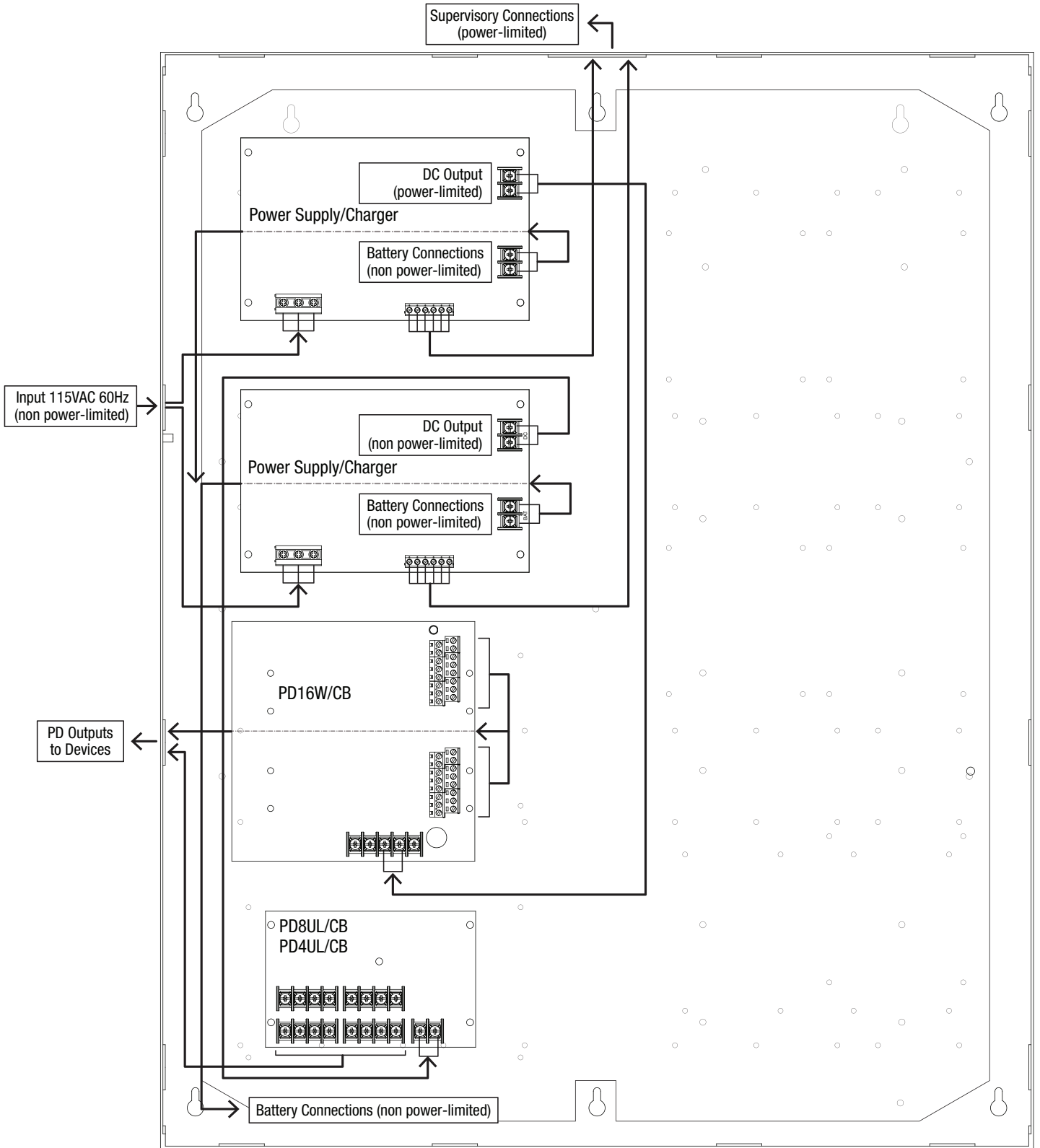
Trove1 ACM4(CB) Configuration:

Fig. 7



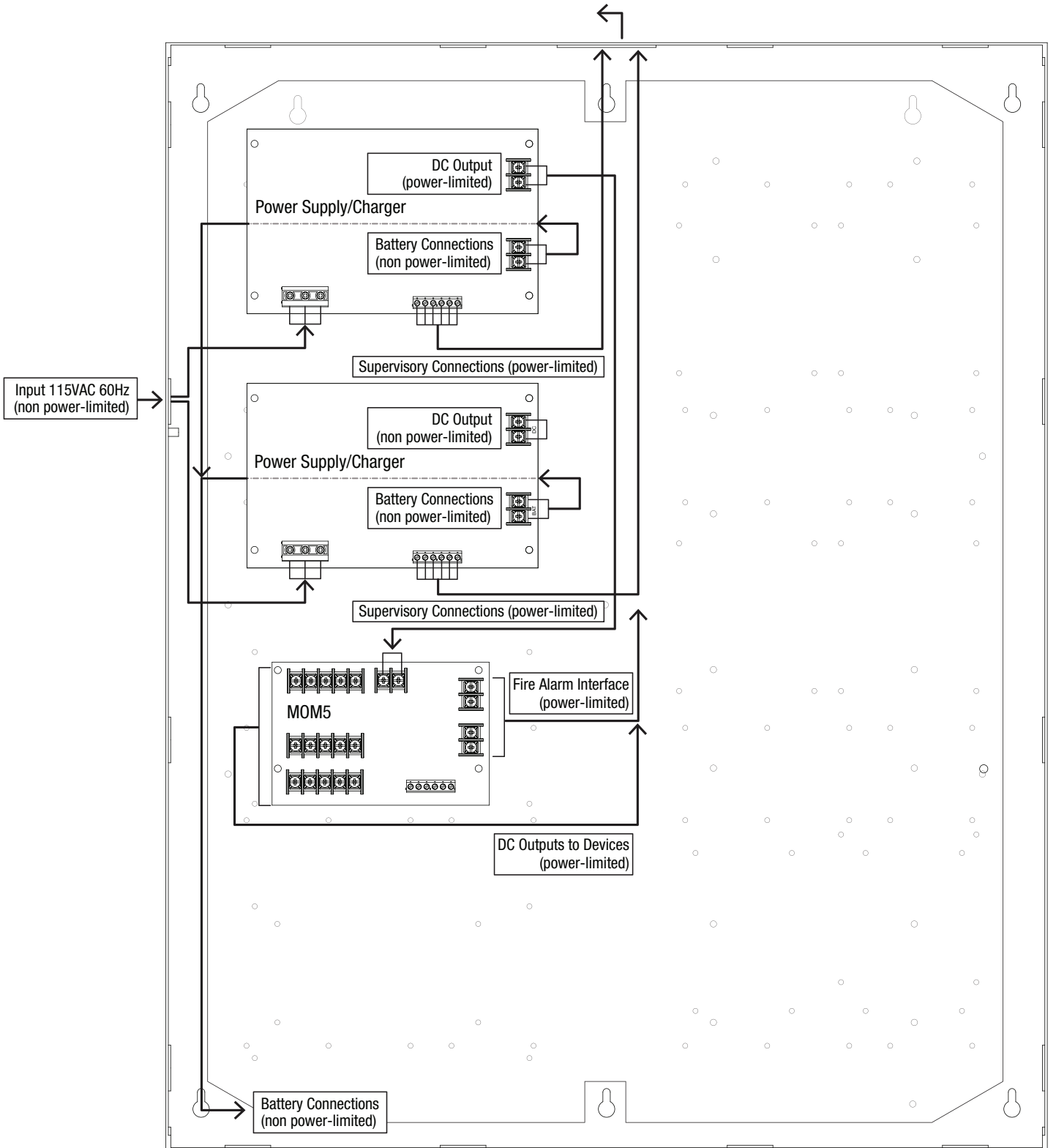
Trove2 Power Distribution Modules Configuration:

Fig. 8



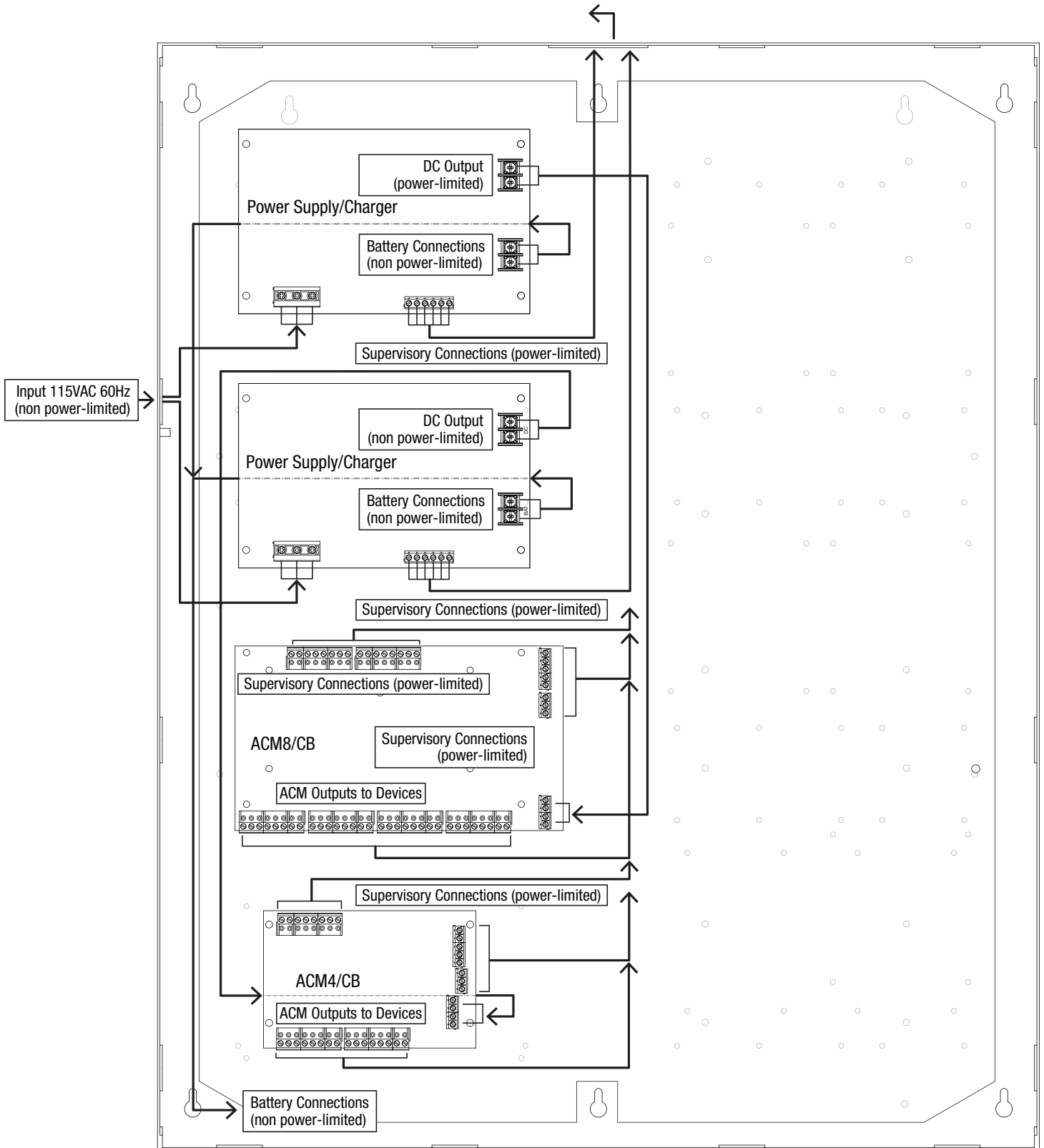
Trove2 MOM5 Configuration:

Fig. 9



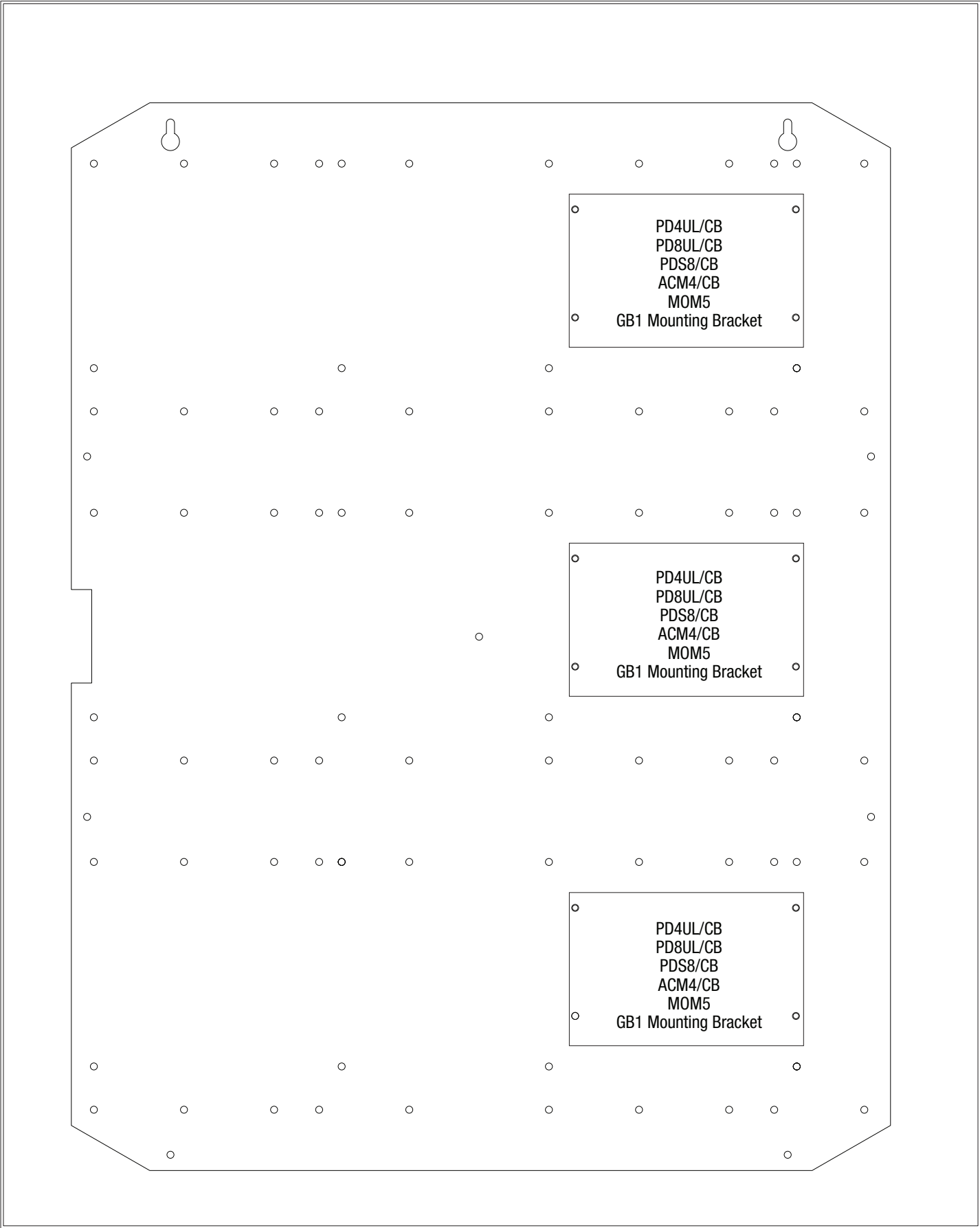
Trove2 ACM Configuration:

Fig. 10



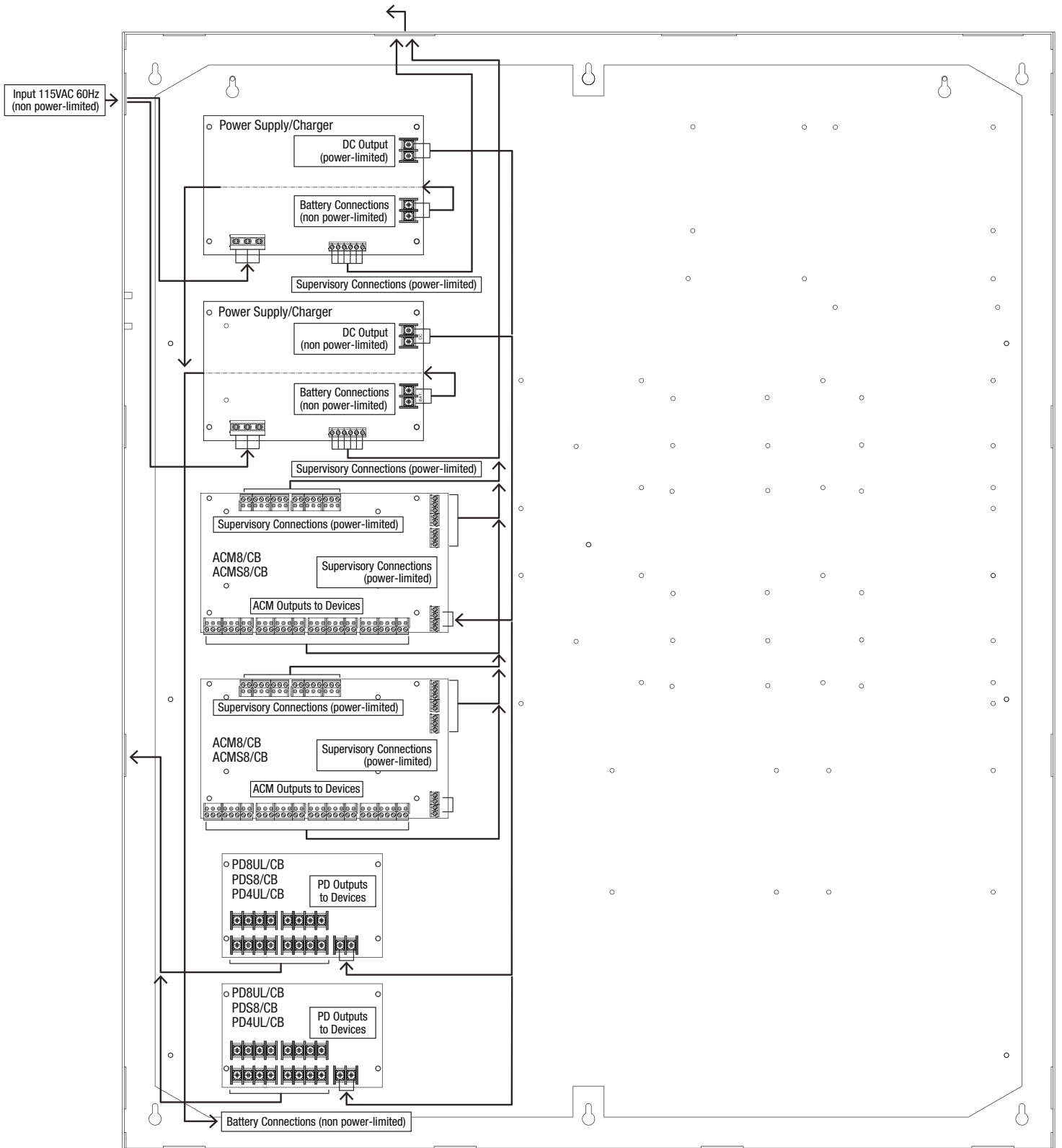
TMV2 Sub-Assembly Configuration:

Fig. 11



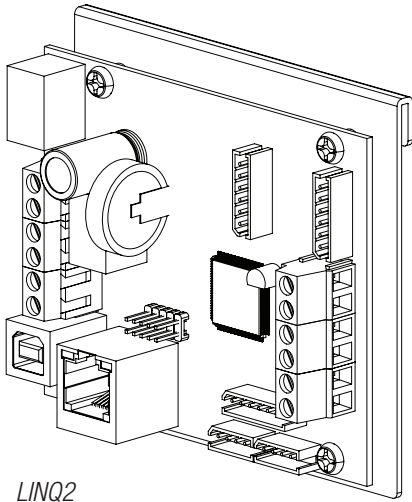
Trove3 ACM/PD Configuration:

Fig. 12





eFlow Power Supply/Chargers can be Controlled and Monitored while Reporting Power/Diagnostics from Anywhere over the Network...



LINQ2

LINQ™

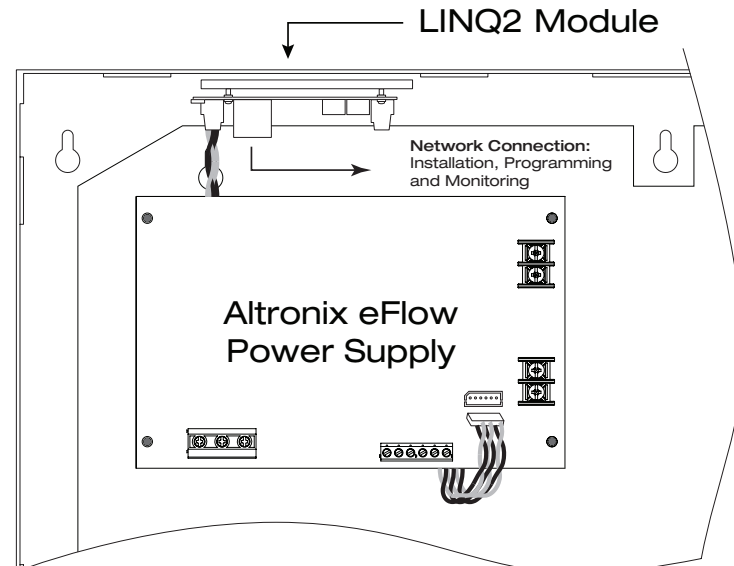
LINQ2 - Network Communication Module

LINQ2 provides remote IP access to real-time data from eFlow power supply/chargers to help keep systems up and running at optimal levels. It facilitates fast and easy installation and set-up, minimizes system downtime, and eliminates unnecessary service calls, which helps reduce Total Cost of Ownership (TCO) - as well as creating a new source of Recurring Monthly Revenue (RMR).

Features:

- UL Listed in the U.S. and Canada.
- Local or remote control of up to (2) two Altronix eFlow power output(s) via LAN and/or WAN.
- Monitor real time diagnostics: DC output voltage, output current, AC & battery status/service, input trigger state change, output state change and unit temperature.
- Access control and user management: Restrict read/write, Restrict users to specific resources
- Two (2) integral network controlled Form "C" Relays.
- Three (3) programmable input triggers: Control relays and power supplies via external hardware sources.
- Email and Windows Dashboard notifications
- Event log tracks history.
- Secure Socket Layer (SSL).
- Programmable via USB or web browser - includes operating software and 6 ft. USB cable.

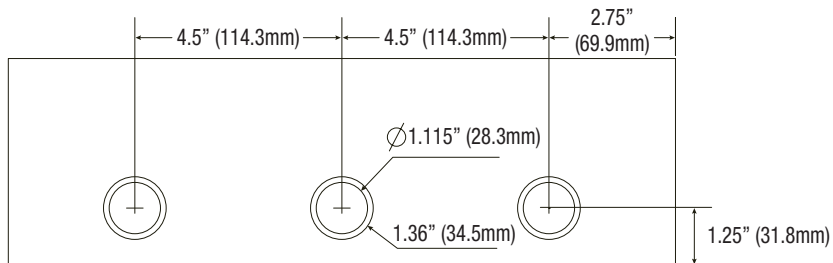
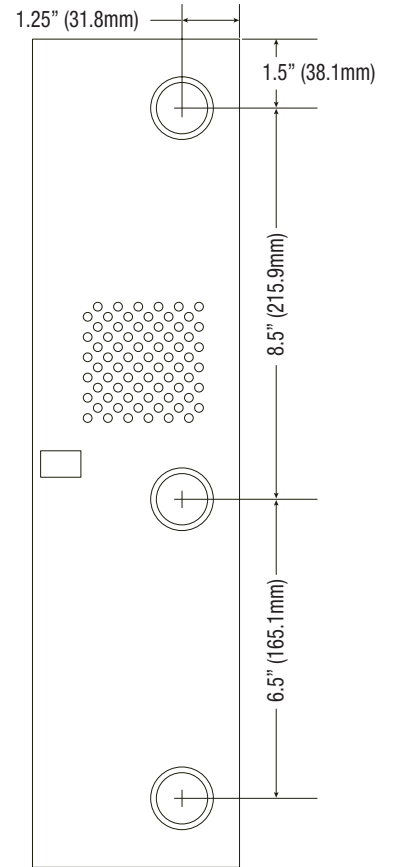
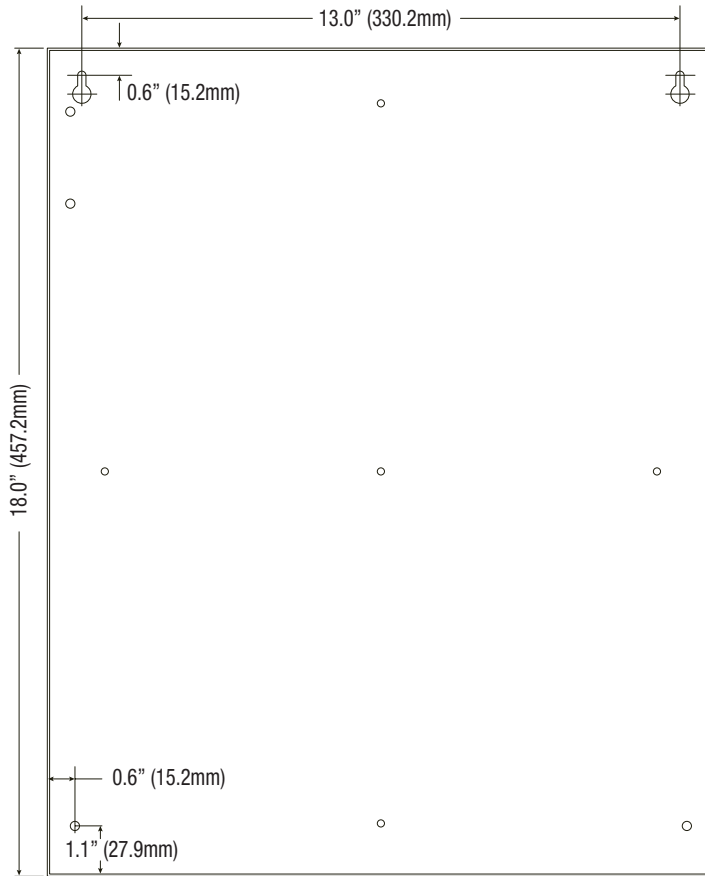
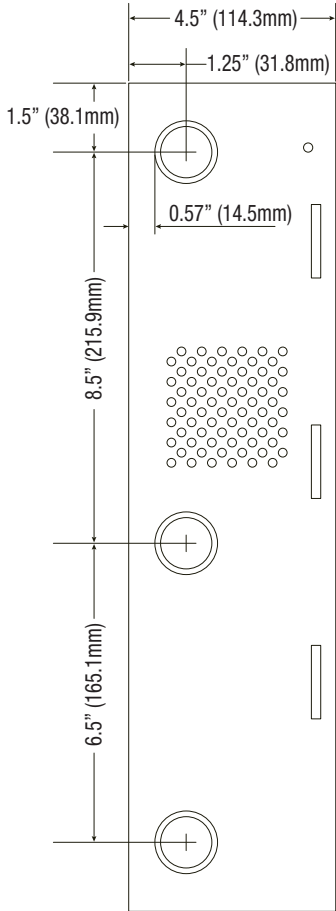
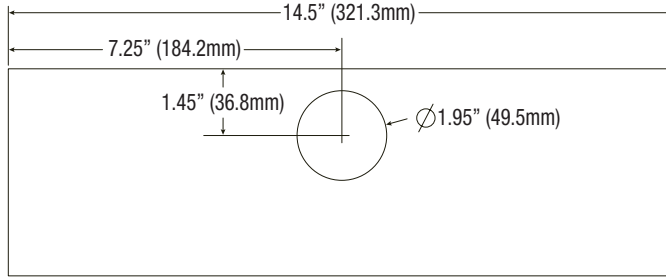
LINQ2 Mounts Inside any Trove Enclosure



Notes:

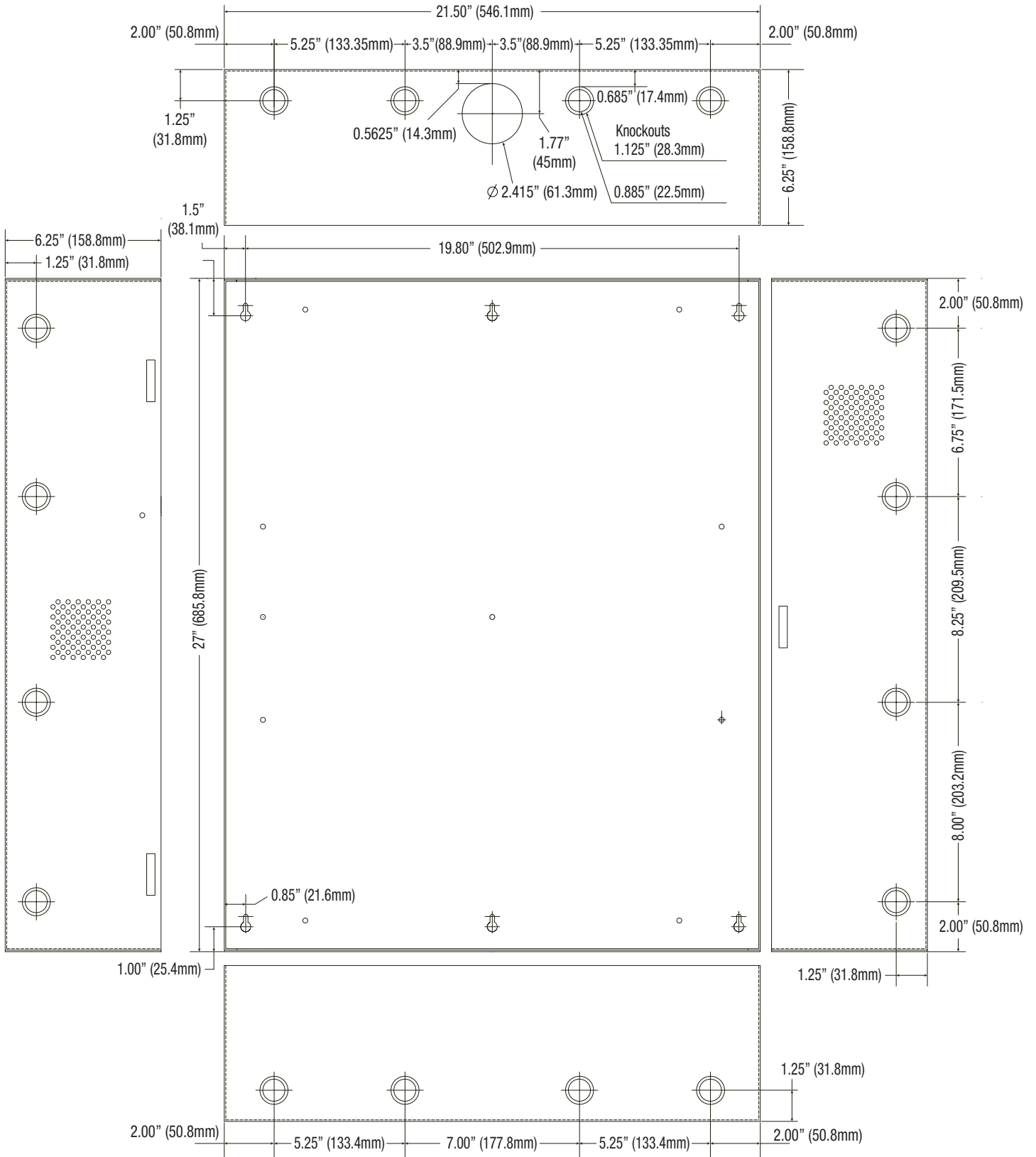
Notes:

Trove1 Enclosure Dimensions:
 18" x 14.5" x 4.625" (457.2mm x 368.3mm x 117.47mm)



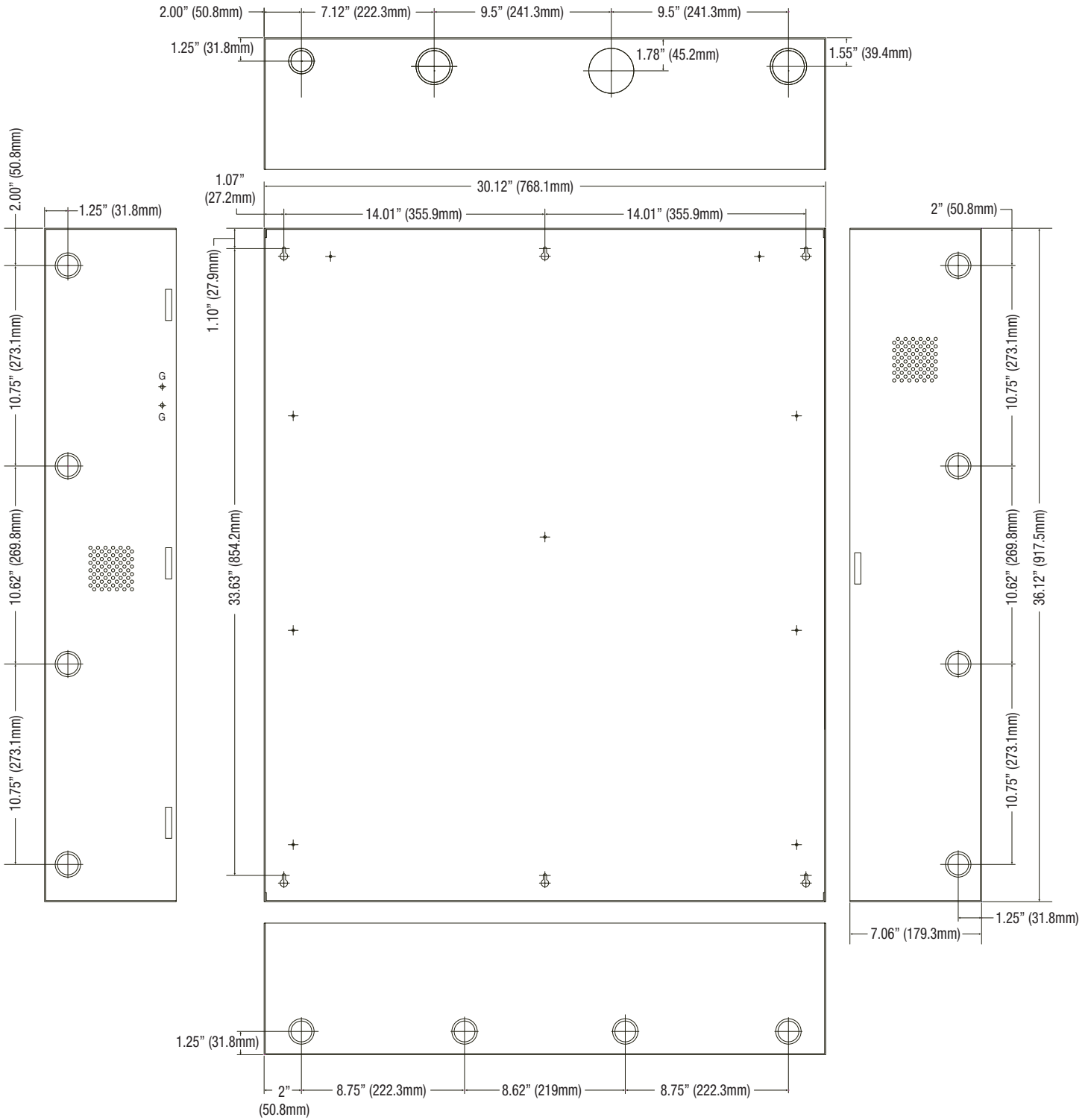
Trove2 Enclosure Dimensions (H x W x D approximate):

27.25" x 21.75" x 6.5" (692.2mm x 552.5mm x 165.1mm)



Trove3M3 Enclosure Dimensions (H x W x D approximate):

36.12" x 30.125" x 7.06" (917.5mm x 768.1mm x 179.3mm)



Altronix is not responsible for any typographical errors.

140 58th Street, Brooklyn, New York 11220 USA | phone: 718-567-8181 | fax: 718-567-9056

web site: www.altronix.com | e-mail: info@altronix.com

II TroveSeries - Rev. 101817

J21U

