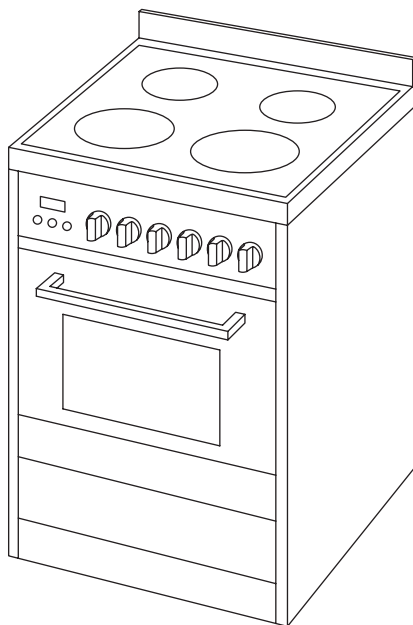




Magic Chef[®]

24-Inch Freestanding Electric Range

User's Manual



Model MCSRE24S

**PLEASE READ THIS MANUAL CAREFULLY BEFORE USING YOUR
ELECTRIC RANGE AND KEEP IT FOR FUTURE REFERENCE.**



PRODUCT REGISTRATION

Thank you for purchasing this Magic Chef® product. The first step to protect your new product is to complete the product registration on our website: www.mcappliance.com/register. The benefits of registering your product include the following:

1. Registering your product will allow us to contact you regarding a safety notification or product update.
2. Registering your product will allow for more efficient warranty service processing when warranty service is required.
3. Registering your product could act as your proof of purchase in the event of insurance loss.

Once again, thank you for purchasing this Magic Chef product.

CONTENTS

PRODUCT REGISTRATION	2
PRECAUTIONS	4
IMPORTANT SAFETY INSTRUCTIONS	5
SPECIFICATIONS.....	8
PARTS AND FEATURES	9
INSTALLATION REQUIREMENTS.....	10
INSTALLATION INSTRUCTIONS	12
BEFORE USE	16
OPERATION INSTRUCTIONS.....	17
CARE AND MAINTENANCE.....	20
TROUBLESHOOTING.....	22
LIMITED WARRANTY	23

PRECAUTIONS

EXPLANATION OF SYMBOLS

▲ WARNING

Hazards or unsafe practices which COULD result in severe personal injury or death.

▲ CAUTION

Hazards or unsafe practices which COULD result in minor personal injury.

THIS PRODUCT IS INTENDED FOR HOUSEHOLD USE ONLY

▲ WARNING: Read and understand all safety precautions. Failure to follow all instructions described in this user manual may result in electric shock, fire and/or serious personal injury. The warnings, cautions and instructions discussed in this user manual cannot cover all possible conditions and situations that may occur.

ELECTRIC POWER

If an electric circuit is overloaded with other appliances, the Electric Freestanding Range may not operate properly. The Freestanding Electric Range should be operated on a separate electrical circuit from other operating appliances.

IMPORTANT SAFETY INSTRUCTIONS

▲ WARNING: To reduce the risk of fire, electric shock, or serious personal injury, please read and save all instructions before using the Electric Freestanding Range.

When using this or any other electrical appliance, basic safety precautions should be observed, including the following:

1. READ ALL INSTRUCTIONS BEFORE USE.
2. Have a qualified technician properly install and ground the appliance in accordance with the National Fuel Gas Code ANSI Z223.1- latest edition in the United States, or in Canada CAN/CGA B149.1, and CAN/CGA B149.2, and the National Electrical Code ANSI/NFPA No. 70- latest edition in the United States, or in Canada CSA Standard C22.1, Canadian Electrical Code, Part 1, and local code requirements. Install only as per installation instructions provided in this manual.
3. This appliance is intended for household use only. DO NOT use the appliance outdoors or for any other purpose.
4. Remove all tape and packaging before using the appliance. DO NOT allow children to play with packaging material. DO NOT remove the model/series plate attached to the appliance.
5. To avoid the risk of electric shock, ALWAYS ensure the appliance is off and completely cool before cleaning or doing any sort of maintenance.
6. DO NOT store or use gasoline or other flammable vapors and liquids in the vicinity of this or any other appliance.
7. Installation and service must be performed by a qualified technician. Know how to disconnect the electrical power to the appliance at the circuit breaker or fuse box in case of emergency.
8. DO NOT repair or replace any part of the appliance unless specifically recommended in the manual. All other servicing should be done only by a qualified technician. This may reduce the risk of personal injury and damage to the appliance.
9. Disconnect power before servicing.
10. NEVER modify or alter the construction of the appliance by removing panels, wire covers or any other part of the appliance.
11. Injuries may result from the misuse of the appliance doors or drawers such as stepping, leaning, or sitting on the doors or drawers.
12. Flammable materials should NOT be stored on or in the appliance or near surface units. This includes paper, plastic and cloth items, such as cookbooks, plastic ware and towels, as well as flammable liquids. DO NOT store explosives, such as aerosol cans, on or near the appliance. Flammable materials may explode and result in fire or property damage.
13. Keep range area clear and free from combustible materials, gasoline, and other flammable vapors and liquids.
14. DO NOT store items of interest to children in the cabinets above the appliance or on the backsplash of the range.
15. Children should NOT be left alone or unattended in the area when the appliance is in use. DO NOT allow children to climb or play around the appliance. They should NEVER be allowed to sit or stand on any part of the appliance. Children climbing on the appliance to reach items could be seriously injured.

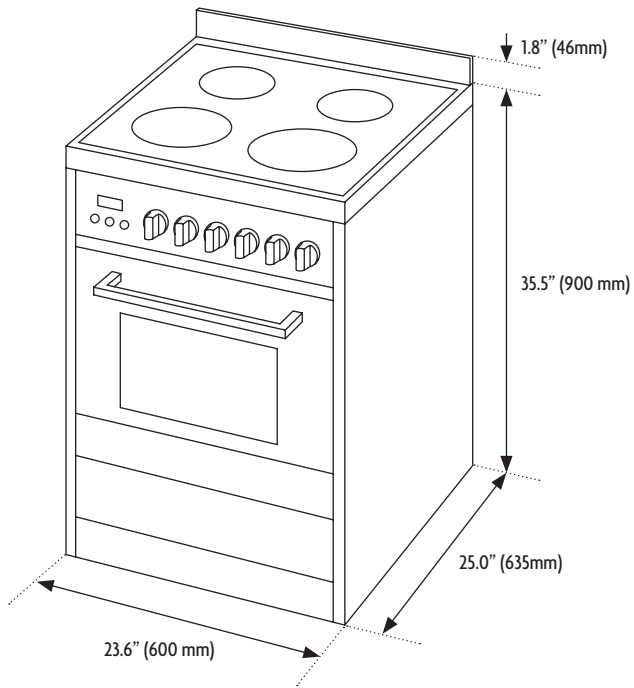
16. DO NOT TOUCH THE COOKING SURFACE, THE BURNERS, GRATES OR ANY AREAS NEAR THEM. Surface burners on appliance may be hot. Areas near surface burners or appliance may become hot enough to cause burns. DO NOT touch or let clothing or other flammable materials touch these areas during or after use until it has had sufficient time to cool.
17. DO NOT wear loose-fitting or hanging garments while using the appliance. DO NOT let clothing or other flammable materials contact hot surfaces.
18. DO NOT use water on grease fires. NEVER pick up a flaming pan. Smother grease fires with a pan lid, baking soda, a dry chemical or foam-type extinguisher.
19. If there is a fire in the oven while baking, smother the fire by closing the oven door and turning the oven off or by using a dry chemical or foam-type extinguisher.
20. Use an extinguisher ONLY if:
 - a. You know you have a Class A, B, C extinguisher, and you already know how to operate it.
 - b. The fire is small and contained in the area where it is started.
 - c. The fire department is being called.
 - d. You can fight the fire with your back to an exit.
21. When heating fat or grease, watch it closely. Fat or grease may catch fire if allowed to become too hot. Use a deep fat thermometer whenever possible to monitor oil temperature.
22. To avoid spillovers and fires, use minimal amounts of oil when pan-frying in a shallow pan and avoid cooking frozen foods with excessive amounts of ice.
23. Use only dry potholders. Moist or damp potholders on hot surfaces may result in burns from steam. DO NOT let potholders touch hot heating elements, the flame or burners. DO NOT use a towel or other bulky cloth instead of a potholder.
24. DO NOT heat unopened food containers. Buildup of pressure may cause the container to burst and result in injury.
25. Stepping, leaning or sitting on this appliance can result in serious injuries and also cause damage to the appliance.
26. DO NOT use this appliance as a space heater to heat or warm the room.
27. Know which knob controls which surface burner. The burner will begin to turn red when it is on, indicating it is heating up.
28. Clean the appliance regularly to keep all parts free of grease that could catch fire. Exhaust fan ventilation hoods and grease filters should be kept clean. DO NOT allow grease to accumulate on hood or filter. Greasy deposits in the fan could catch fire. When cooking food turn the hood fan on. Refer to hood manufacturer's instructions for cleaning.
29. To reduce the risk of burns, ignition of flammable materials, and spillage due to unintentional contact with the utensil, the handle of the utensil should be positioned so that it is turned inward, and does not extend over adjacent surface burners.
30. NEVER leave surface burners unattended at high heat settings. Boil overs cause smoke and greasy spillovers that may ignite, or a pan that has boiled dry may melt.
31. DO NOT use aluminum foil to line any part of the appliance. Use aluminum foil only to cover food during cooking. Improper installation of these liners may result in risk of electric shock or fire.
32. Only certain types of glass, glass/ceramic, ceramic, earthenware, or other glazed utensils are suitable for appliance service without breaking due to the sudden change in temperature. Check the manufacturer's recommendations for appliance use.

33. DO NOT use decorative surface burner covers. If a burner is accidentally turned on, the decorative cover will become hot and possibly melt. You will not be able to see that the burner is on. Burns will occur if the hot covers are touched. Damage may also be done to the range or burners because the covers may cause overheating. Air will be blocked from the burner and cause combustion problems.
34. Use the proper pan sizes. This appliance is equipped with surface units of different sizes. Select utensils having flat bottoms large enough to cover the surface unit. The use of undersized utensils will expose a portion of the surface heating unit to direct contact and may result in ignition of clothing. Proper relationship of utensil to the surface unit will also improve efficiency.
35. Ensure the anti-tip bracket is installed properly and engaged.
36. Avoid scratching or hitting the glass door, range, or control panels. This may lead to glass breakage. DO NOT cook on an appliance with broken glass. Shock, fire, or cuts may occur.
37. Have the fan hood on when preparing flaming foods.

**SAVE THESE INSTRUCTIONS
FOR FUTURE REFERENCE**

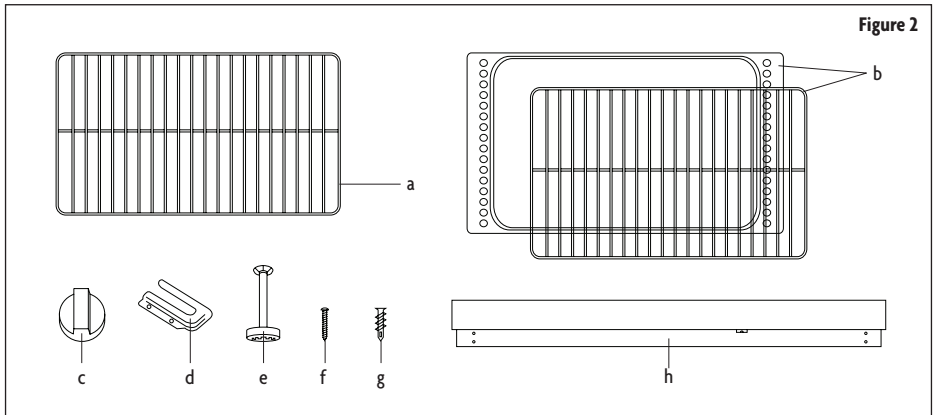
SPECIFICATIONS

Figure 1



Height	35.5" (900 mm)
Width	23.6" (600 mm)
Depth	23.6" (600 mm)
Depth with Backsplash	25.0" (635mm)
Net Weight	125 lbs. (56.5 kg)
Capacity	2.2 Cu. Ft.
Voltage Rating	240 V, 60 Hz
Power Rating	Refer to "Electrical Specifications" on page 14.

PARTS AND FEATURES



- a. Oven Racks (2)
- b. Grill Set: Basin & Anti-Splash (1)
- c. Knobs (6)
- d. Anti-Tip Bracket (1)
- e. Feet (4)
- f. Screws (2)
- g. Anchors (2)
- h. Optional Backslash (1)

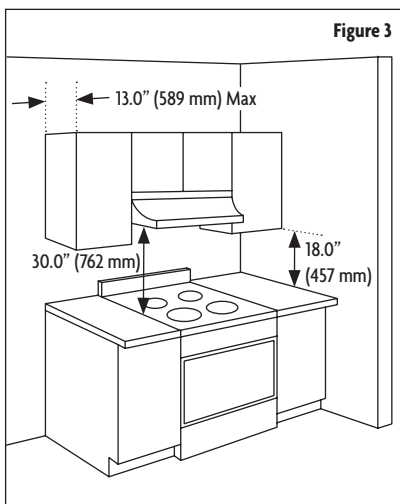
INSTALLATION REQUIREMENTS

VENTILATION

▲ WARNING: The range should have proper ventilation in order to keep the unit operating properly and maintain the temperature of immediate surroundings within safe limits. Check your local building codes as they may vary from the general rules outlined in this guide. It is recommended that a hood be installed above the range that is rated no less than 400 CFM. This will provide adequate ventilation for this range. Mounting distance of your ventilation is outlined by the manufacturer of your hood.

To avoid damage to your cabinets, check with your builder or cabinet supplier to make sure that the materials used will not discolor, delaminate or sustain other damage. This oven has been designed in accordance with the requirements of UL and CSA International and complies with the maximum allowable wood cabinet temperatures of 200°F.

- Observe all governing codes and ordinances. DO NOT obstruct flow of combustion and ventilation air.
- It is the installer's responsibility to comply with installation clearances specified on the model/serial rating plate.
- The range should be located for convenient use in the kitchen.
- Recessed installations must provide complete enclosure of the sides and rear of the range.
- To eliminate the risk of burns or fire by reaching over heated surface units, cabinet storage space located above the surface units should be avoided. If cabinet storage is to be provided, the risk can be reduced by installing a range hood or microwave hood combination with minimum 400 CFM that projects horizontally a minimum of 5" (127 mm) beyond the bottom of the cabinets.
- If a range hood is installed above the appliance, maintain a 30" minimum clearance between cooking surface and bottom of range hood. The range hood must be connected directly to flues or to the outside.
- Avoid placing cabinetry directly above the appliance when possible. If cabinetry is used above the cooking surface, use cabinets no more than 13" deep. Make sure the wall coverings, countertop and cabinets around the appliance can withstand heat up to 200°F generated by the appliance.
- Cabinet opening dimensions that are shown in Figure 3 must be used. Given dimensions are minimum clearances.
- Working areas adjacent to the range should have 18" (457 mm) minimum clearance between countertop and cabinet bottom.
- All openings in the wall or floor where range is to be installed must be sealed.
- Contact a qualified floor covering installer to check that the floor covering can withstand at least 200°F.
- Use an insulated pad or ¼" (64 mm) plywood under range if installing range over carpeting.
- The floor anti-tip bracket must be installed. To install the anti-tip bracket shipped with the range, refer to "Anti-Tip Bracket" section on page 12.
- Grounded electrical supply is required. Refer to "Electrical Connection" section on page 13.



MOBILE HOME REQUIREMENTS

The installation of this range must conform to the Manufactured Home Construction and Safety Standard, Title 24 CFR, Part 3280 (formerly the Federal Standard for Mobile Home Construction and Safety, Title 24, HUD Part 280). When such standard is not applicable, use the Standard for Manufactured Home Installations, ANSI A225.1/NFPA 501A or with local codes. In Canada, the installation of this range must conform with the current standards CAN/CSA-A240-latest edition, or with local codes.

When this range is installed in a mobile home, it must be secured to the floor during transit. Any method of securing the range is adequate as long as it conforms to the standards listed above.

INSTALLATION INSTRUCTIONS

UNPACKING & INSTALLING LEVELING FEET AND BACK PANEL

▲ **WARNING:** Excessive Weight Hazard / Tip Over Hazard

- A child or adult can tip the range and be killed.
 - Use two or more people to move and install range.
 - Failure to follow these instructions can result in death or serious burns to children and adults.
1. Remove shipping materials from the range. DO NOT remove protective film covering the appliance. DO NOT remove tape securing the drawer.
 2. Remove oven racks and parts package from the inside oven.
 3. Remove the four (4) L-shaped cardboard corners from the carton. Stack one cardboard corner on top of another. Repeat with the other 2 corners.
 4. Place the cardboard stacks on the floor behind the range to support the range when it is laid on its back.
 5. Using 2 or more people firmly grasp the range and gently lay it on its back on the cardboard corners.
 6. Install the leveling feet one at a time. The leveling feet can be found in a box that was inside the oven.
 7. Place cardboard or hardboard in front of range. Using 2 or more people, stand range back up onto cardboard or hardboard.
 8. Remove the protective film covering the appliance. Remove tape securing the drawer.
 9. The stainless steel back panel can now be installed. Place panel into the grooves on the top rear of the range. Then affix the panel to the range using the screws provided.

ANTI-TIP BRACKET

▲ **WARNING:** Tip Over Hazard

- A child or adult can tip the range and be killed.
- Connect anti-tip bracket to rear range foot.
- Reconnect the anti-tip bracket, if the range is moved.
- Failure to follow these instructions can result in death or serious burns to children and adults.

Contact a qualified floor covering installer for the procedure of drilling mounting holes through your type of floor covering.

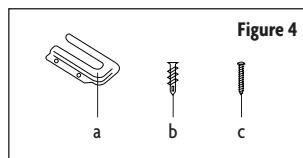
Assemble the required tools and parts before starting installation. Read and follow the instructions provided with any tools listed here.

Tools Needed for Installation

- Hand or Electric Drill
- Drill Bit
 - Concrete / Ceramic Floors: 3/16" (4.6 mm) Masonry Drill Bit
 - Wood Floors: 1/8" (3.2 mm) Drill Bit
- Flat-Blade Screwdriver
- Hammer
- Measuring Tape
- Masking Tape

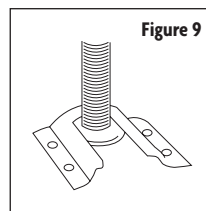
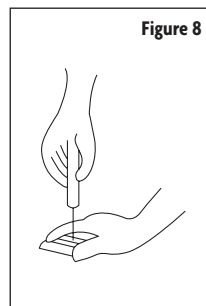
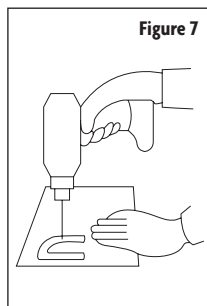
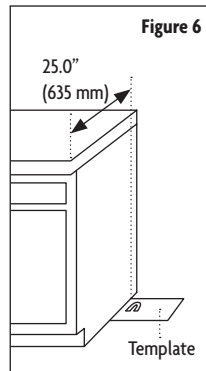
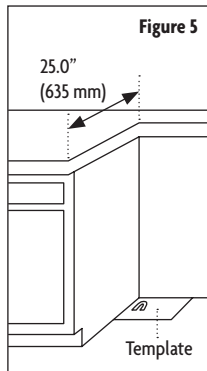
Parts Supplied for Installation

- a. Anti-Tip Bracket (1)
- b. Plastic Anchors (2)
- c. Screws (2)



Install the anti-tip bracket to hold the left rear leg of the slide-in range. Follow these steps to secure the range to the floor before moving the range into final operating position.

1. Before moving range, slide range onto shipping base cardboard or hardboard.
2. It is recommended to create a template out of paper to help with installation. Place this template on floor in the cabinet opening so that the left edge is against cabinet and top edge is against rear wall, molding or cabinet. (Refer to Figure 5.)
3. Tape template in place.
4. If countertop is deeper than 25" (635 mm), measure and mark a distance of 25" (635 mm) in from front of countertop and align template with mark. (Refer to Figure 6.)
5. If countertop is not flush with cabinet opening edge, align template with overhang.
6. If cabinet opening is wider than specified in Installation Instructions, adjust template so range will be centered in cabinet opening.
7. To mount anti-tip bracket to wood floor, drill two 1/8" (3.2 mm) holes at the positions marked on the bracket template. (Refer to Figure 7.)
8. Remove template from floor.
9. Tap plastic anchors into holes with a hammer.
10. Align anti-tip bracket holes with holes in floor. Fasten anti-tip bracket with screws provided. (Refer to Figure 8.)
11. Move range close to opening. Remove shipping base, cardboard or hardboard from under range. Connect power supply cord as described in the "Electrical Connection" section on page 13. Move range into final position, making sure rear leveling leg slides into anti-tip bracket. (Refer to Figure 9.)
12. Continue installing your range following the installation Instructions.



ELECTRICAL CONNECTION

⚠ WARNING: Electrical Shock Hazard

- DO NOT use an adapter.
- DO NOT use an extension cord.
- Failure to follow these instructions can result in death, fire, or electrical shock.
- Electrical connection must be performed by a qualified service technician in accordance with the kit instructions and all local codes and requirements.

This appliance is not supplied with a plug and needs to be connected directly to the electrical mains.

If you wish to install this appliance with a plug, it must be installed by a qualified technician. The plug must be a 4-prong, 3-phase power plug that is designed specifically for ranges and ovens.

Electrical Requirements: 220-240V/50-60Hz. With recommendation to connect to a 50 Amp power supply.

Electrical Specifications	
System	Wattage
Oven Light	25 W (2)
Upper Heating Element	2450 W / 1960 W
Bottom Heating Element	1361 W
Grill Heating Element	2560 W
Convection Heating Element	1960 W
Ventilator Motor	20 W
Cooling Fan	18 W

▲ WARNING: BEFORE MAKING THE ELECTRICAL CONNECTION, MAKE SURE THAT

- The safety circuit-breaker and the electrical system are able to withstand the load of the appliance. Refer to rating label on back of range.
- Rating plate is located on back of range should you need to verify any of the electrical requirements.
- The power supply system has a ground connection in good working order in accordance with the regulations in force.
- The electrical socket is easily accessible with the appliance installed. In all cases, the power supply lead must be positioned so that it does not reach a temperature of 122°F above the room temperature at any point.
- The manufacturer is not liable for any direct or indirect damage caused by faulty installation or connection. It is therefore necessary that all installation and connection operations are carried out by qualified personnel complying with the local and general regulations in force.

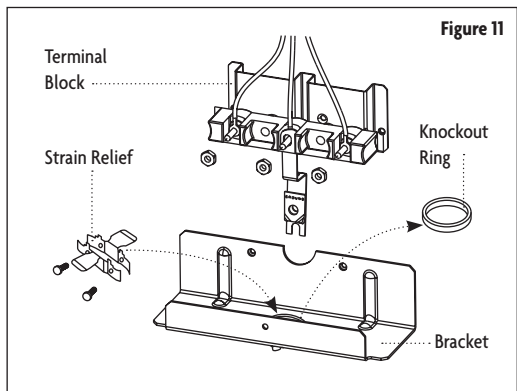
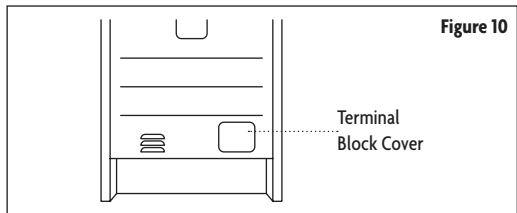
ELECTRICAL CONNECTION

Follow these steps for the 3-wire and 4-wire installation process.

1. Remove the wire cover on the back of the range by removing the two (2) screws using a Phillips screw driver. (Refer to Figure 10.)

▲ NOTE: DO NOT discard these screws.

2. Remove the knockout ring (1-3/8") located on bracket directly below the terminal block. To remove the knockout, use a pair of pliers to bend the knockout ring away from the bracket and twist until ring is removed. (Refer to Figure 11.)
3. Assemble the strain relief in the hole. Insert the power cord through the strain relief and tighten. Allow enough slack to easily attach the cord terminals to the terminal block. If tabs are present at the end of the winged strain relief, they can be removed for better fit. (Refer to Figure 11.)

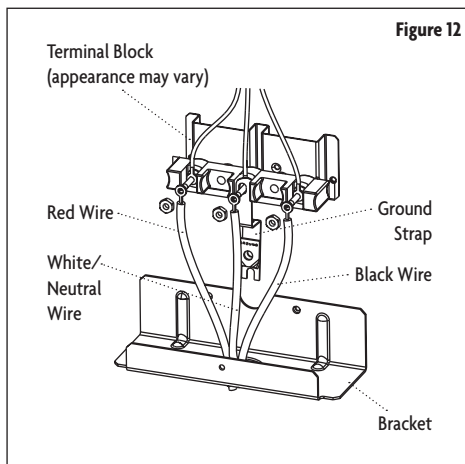


▲ NOTE: DO NOT install the power cord without a strain relief. The strain relief bracket **MUST** be installed before reinstalling the rear range wiring cover.

3- Wire

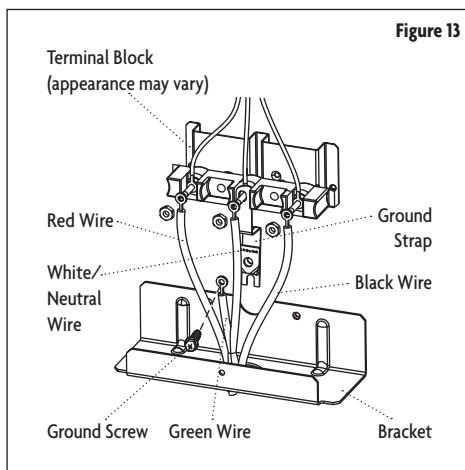
Installation (Ground is through the neutral wire)

1. Remove the 3 lower screws from the terminal block. DO NOT cut or remove the ground strap.
2. Insert the 3 screws through each power cord terminal ring and back into the terminal block. Be certain the white/neutral wire is in the center. Securely tighten each screw (35 to 50 in-lbs.).
3. Replace wire cover on range back by sliding its left edge under the retaining tabs and replace the screws removed earlier. Make sure that no wires are pinched between cover and range back. (Refer to Figure 12.)



4-Wire Installation (Separate ground wire)

1. Remove the 3 lower screws from the terminal block. Remove the ground screw and ground plate and retain them.
2. Cut the ground strap below the terminal block and discard the lower section.
3. Insert the ground screw through the ground plate (removed earlier) and back into the range frame. Tighten securely, but do not over-tighten (15 to 20 in-lbs.).
4. Insert the 3 terminal screws through each power cord terminal ring and back into the terminal block. Be certain the white/neutral wire is in the center. Securely tighten each screw (35 to 50 in-lbs.).
5. Replace wire cover on range back by sliding its left edge under the retaining tabs and replace the screws removed earlier. Make sure that no wires are pinched between cover and range back. (Refer to Figure 13.)



BEFORE USE

BEFORE FIRST USE

1. Before cooking for the first time the ceramic glass has to be cleaned. Remove any labels and protective sheeting.
2. Place a saucepan of water on each of the front burners and switch them on the high for at least 30 minutes.
3. After 30 minutes switch the front burners off, place a saucepan of water on each of the rear and the center burners. Switch them on high for at least 30 minutes.
4. This procedure is necessary in order to evaporate any protective oils and humidity that may have collected during the manufacturing process and it will enable the electronic control circuits to operate properly.

RANGE COOKING UTENSILS

▲ WARNING: DO NOT place plastic items such as salt and pepper shakers, spoon holders or plastic wrappings on top of the appliance when it is in use. These items could melt or ignite. Potholders, towels or wood spoons could catch fire if placed too close to the heat.

▲ NOTE: ALWAYS use a utensil for its intended purpose. Follow manufacturer's instructions. Some utensils were not made to be used in the oven or on the range.

- For best results and energy savings, only use pans suitable for electric cooking.
- The bottom of the pan must be very thick and perfectly flat.
- Before placing on the burner, make sure that the pan and burner, are perfectly clean and dry.
- To avoid scratching of the ceramic glass surface, NEVER use cast-iron pans or pans with a rough bottom.

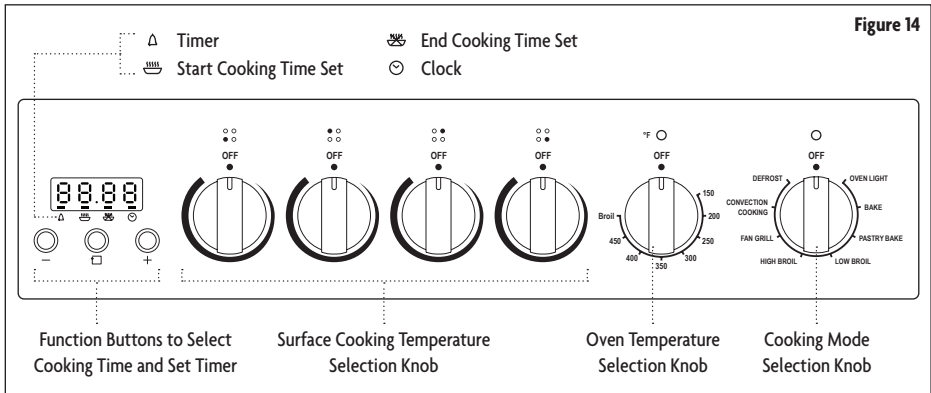
POT SIZES

- To avoid wasting energy, make sure that the diameter of the pan bottom is 0.8" (20mm) bigger than the circle marked on the hotplate.
- The pot sizes stated in the table below are suitable for your ceramic surface. Solids pots and pans with flat bottoms are recommended for efficient cooking.

Burner Zone	Zone Diameter	Minimum Diameter of Pan
Cooking Zone A	5-1/2 inches (230 mm)	8-1/4 inches (210 mm)
Cooking Zone B	8-5/8 inches (165 mm)	5-3/4 inches (145 mm)
Cooking Zone C	7-1/8 inches (200 mm)	7-1/8 inches (180 mm)

OPERATION INSTRUCTIONS

OVEN CONTROLLER



COOKING MODES

- **Oven Light:** Turns the oven light on when selected.
- **Bake:** Used for traditional baking. The top and bottom heating elements are used along with natural thermal convection currents to distribute the heat. It is best to bake on only one shelf at a time using this function to ensure the best result.
- **Pastry Bake:** Similar to Bake but this setting also has a fan to circulate hot air around the oven. This is ideal for food items that need a strong heat source on the bottom but still require some heat on the top, like pies, cakes, and tarts.
- **Low Broil:** Perfect for browning dishes at the end of cooking. For optimal results, use in conjunction with the Broil temperature setting.
- **High Broil:** Best for melting cheese, toasting and browning. This function should only be used for 5 minutes or less. For optimal results, use in conjunction with the Broil temperature setting.
- **Fan Grill:** Utilizes a high heat grilling element and fan to circulate hot air throughout the oven. Ideal for cooking large cuts of meats so that they are moist inside and crisp on the outside. Use a thermometer to check the internal temperature.
▲ NOTE: It is recommended to set the temperature no higher than 400°F.
- **Convection Cooking:** Utilizes the powerful heating element surrounding the fan to evenly distribute heat throughout the oven. This is great for multi-shelf cooking because the fan ensures each rack is heated.
- **Defrost:** Circulates air at room temperature to defrost food.

DIGITAL CLOCK

1. Once the oven is connected to electrical power, the clock display will show "12:00" with the "■" symbol above "🕒".
2. Press the "+" or "-" button to increase or decrease the number until it reaches the right time.

3. After 5 seconds the clock will start automatically or you can press the “□” button to make it work.

TIMER

Timer Setting

1. Press the “□” button repeatedly until the “■” symbol above “△” flashes.
2. Press “+” or “-” button until the time you wish shows on the display. The longest cooking time that can be set is 23 hours and 59 minutes.
3. After setting the proper time (hour/minute), the “■” symbol above the “△” begins to flash.
4. The time countdown begins.
5. When it reaches the set time, the “■” symbol above the “△” flashes, and the alarm will ring.
6. To stop the alarm ringing, press any button.

▲ IMPORTANT:

- The setting must be carried out in 5 seconds.
- If electricity fails suddenly, all the set procedure and the proper clock time (hour/minute) will disappear.
- After electrical power is on again, “12:00” and the square symbol above “☺” will show on the display, you will need to set it again.

Full Automatic Timer Setting

1. Press the “□” button repeatedly until the “■” symbol above the “☺” flashes, and press “+” or “-” button to set how long oven needs to cook.
2. Press the “□” button repeatedly until the “■” symbol above the “☺” flashes, and press “+” or “-” button to set the time for oven to stop cooking and switch off.
3. Adjust knobs to select cooking mode and temperature.
4. The “■” symbols above the “☺” and “☺” will flash. It indicates the cooking timer has been set. The cooking will start and finish as per programmed into the timer.

For example, if the food is required to bake for 45 minutes, and it is supposed to stop at 2:00:

1. Press the “□” button repeatedly until the “■” symbol above “☺” flashes, and set the time of baking to 45 minutes.
2. Press the function button repeatedly until the “■” symbol above “☺” flashed, and set the finish of baking at “2:00”.
3. The proper time (hour/minute) and the “■” symbol will show on the display. It indicates the setting of cooking timer has been set.
4. When the clock shows “1:15”, the oven will switch on automatically and cooking will start.
5. During the cooking time, the “■” symbol will keep flashing.
6. When the clock shows “2:00”, cooking will stop and the oven will switch off automatically, the alarm will ring, and the “■” symbol will flash.
7. To stop the alarm ringing, press any button.

Semi-Automatic Timer Setting

- A. Setting Timer for How Long to Cook
 1. Longest time that can be set is 10 hours maximum.

2. Press the “□” button repeatedly until the “■” symbol above “☺” flashes. Press “+” or “-” button and set the timer for how long the oven needs to cook.
3. Switch on the oven immediately, the “■” symbol above “☺” begins to flash.
4. Adjust knobs to select cooking mode and temperature.
5. When the full amount of time set has passed, the cooking will stop and the oven will switch off automatically.
6. The “■” symbol above “☺” will flash and the alarm will ring.
7. To stop the alarm ringing, press any button.

B. Setting timer with the end time of cooking

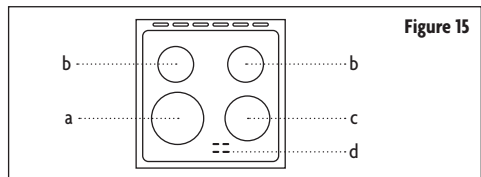
1. Longest time that can be set is 23 hours and 59 minutes.
2. Press the “□” button repeatedly until the “■” symbol above “☹” flashes. Press “+” or “-” button and set the time for oven to stop cooking.
3. Switch on the oven immediately, the “■” symbol above “☹” begins to flash.
4. Adjust knobs to select cooking mode and temperature.
5. When it reaches the time set, cooking will stop and the oven will switch off automatically.
6. The “■” symbol above “☹” flashes, and the alarm will ring.
7. To stop the alarm ringing, press any button.

▲ NOTE: The set timer procedure could be seen by pressing any function button repeatedly at any time.

▲ NOTE: By adjusting the end time of cooking to the current time, the set timer procedure can be cancelled.

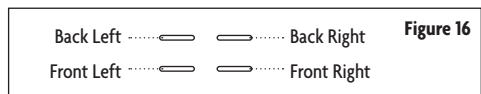
BURNER LOCATIONS

- a. Single cooking zone - 2200W (1)
- b. Single cooking zone - 1200W (2)
- c. Single cooking zone - 1800W (1)
- d. Power & Residual Heat Warning Lights (4)



DESCRIPTION OF WARNING LIGHTS

Refer to Figure 16.



SETTING RANGE CONTROLS

1. Turn the control knob to the desired position. Heat intensity goes from LOW on the right to HIGH on the left.
2. Adjustment is continuous so the cooking zone will operate at any intermediate setting between low and high.
3. Once the cooking zone is hot, the LED corresponding to the zone illuminates.
4. To switch off the cooking zone turn the knob in either direction to the “OFF” position.
5. The residual heat warning light remains illuminated when the temperature of the ceramic glass surface is hot and will switch off once the surface temperature has cooled.

CARE AND MAINTENANCE

▲ WARNING: To avoid the risk of electric shock, ALWAYS ensure the appliance is off and completely cool before cleaning or doing any sort of maintenance.

▲ CAUTION:

- To avoid possible burns, use care when cleaning the appliance.
- DO NOT attempt to clean the appliance whenever the oven or burner heads are still hot.
- To avoid possible burns DO NOT attempt any of the following cleaning instructions before turning off all of the surface burners and allowing them to cool.

▲ NOTE: ALWAYS follow label instructions on cleaning products.

CONTROL KNOBS

- For general cleaning, use hot, soapy water and a cloth.
- For more difficult soils and built-up grease, apply a liquid detergent directly onto the soil. Rinse with a damp cloth and dry.
- DO NOT use steel wool or acidic cleaners on the knobs as they can scratch.

STAINLESS STEEL

- Clean stainless steel with hot, soapy water and a dishcloth. Rinse with clean water and a cloth.
- DO NOT use cleaners with high concentrations of chlorides or chlorines. DO NOT use harsh scrubbing cleaners. Only use kitchen cleaners that are especially made for cleaning stainless steel.

INSIDE OVEN

- This appliance DOES NOT have a self-cleaning feature.
- DO NOT attempt to clean the appliance whenever the oven is still hot.
- Use an appropriate cleaning product designed specifically to clean the inside of ovens.

▲ NOTE: ALWAYS follow label instructions on cleaning products.

CLEANING INTERIOR LOWER GRILL ELEMENT

- To remove the element, support one side with your hand while removing the retainer with the other.
- When cleaning, make sure not to apply excessive force on the element as it is fragile.
- Reposition the element and secure the retainer back in place.
- DO NOT use the oven with the grill element hanging down – it must be repositioned after cleaning.

STORAGE DRAWER

- Make sure drawer is cool and empty before cleaning.
- Use a mild detergent.

OVEN DOOR EXTERIOR

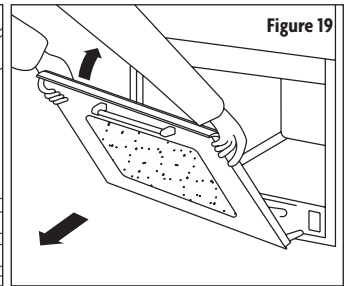
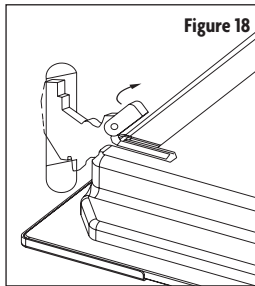
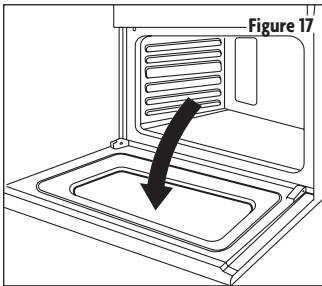
- Use a glass cleaner and a soft cloth or sponge.
- Apply glass cleaner to soft cloth or sponge, not directly on panel.

REMOVING AND CLEANING OVEN DOOR

For normal range use, it is not suggested to remove the oven door. However, if removal is necessary, make sure the oven is off and cool. The oven door is heavy. Follow these instructions.

1. Open the door fully. (Refer to Figure 17.)
2. Lift up and push the small levers located on the two hinges all the way back. (Refer to Figure 18.)
3. While holding the door on each side, shut the door until it touches the levers.
4. Then continue closing the door until it is about 4" (100 mm) from being fully closed.
5. Pull the door towards you, pulling it out of its seat. Door will gently come away from the oven. (Refer to Figure 19.)
6. To replace the door, perform the reverse of the above procedure.

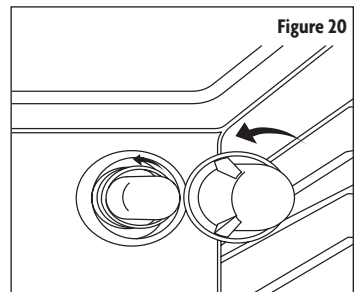
▲ NOTE: If door does not come away from oven easily, DO NOT force it.



CHANGING THE INTERIOR OVEN LIGHT BULB

▲ WARNING: To reduce the risk of electric shock, ensure that the appliance is switched off before replacing the lamp.

1. Remove the glass cover by turning it counter-clockwise. (Refer to Figure 20.)
2. Replace light with a high temperature bulb that meets the following criteria:
 - 240 V
 - 25 W
 - Type: E-14



TROUBLESHOOTING

Problem	Possible Causes	Solutions
Will not operate or turn on.	No power	Verify that the electrical wires are connected to the mains properly. Refer to “Electrical Connection” section on page 13.
	Household fuse is blown or circuit breaker is tripped.	Replace the fuse or reset the circuit breaker.
Range burners will not operate.	Control knob is set incorrectly.	Push in knob before turning to a setting. Ensure the correct burner is being turned on.
Excess heat around cookware on cooking surface.	Cookware is an improper size.	Use cookware about the same size as the surface cooking area, element or surface burner. Cookware should extend 20 mm.
Cooktop cooking results are not what was expected.	Improper cookware is being used.	Refer to “Range Cooking Utensils” section on page 16.
	Control knob is set to improper heat level.	Refer to “Setting Range Controls” section on page 19.
	Range is not level.	Level the range. Refer to “Unpacking & Installing Leveling Feet and Back Panel” section on page 12.
Oven will not operate.	Oven controls are set incorrectly.	Make sure the oven is on and set on the correct cooking mode.
Cooling fan runs during baking and broiling.	No problem	It is normal for the fan to automatically run while the oven is in use and for some time after to cool.
Oven temperature too high or too low.	Oven was not preheated.	Allow the oven to preheat so it is at the proper temperature when your food goes in.
	Racks are positioned incorrectly.	Try changing the rack position.
	Batter is not evenly distributed.	Check that the batter is level in the pan.
	Improper cook time was being used.	Adjust the cook time.
	Oven door was opened while cooking.	Oven peeking releases oven heat and can result in longer cook times.
Baked items are too brown on the bottom.	Oven rack is placed too low.	Move rack to a higher position in the oven.
Pie crust edges are browning early.	Temperature is too hot.	Use aluminum foil to cover the edge of the crust and/or reduce baking temperature.
Oven light does not work.	Light bulb is loose or defective.	Tighten or replace the bulb.
	Switch operating light is broken.	Contact a qualified technician.
Oven makes clicking noise.	No problem	This is the sound of the heating element turning on and off and is normal.
Display flashes.	Power outage or surge	Reset the clock. If the oven was in use, reset it.



LIMITED WARRANTY

MC Appliance Corporation warrants each new Electric Range to be free from defects in material and workmanship, and agrees to remedy any such defect or to furnish a new part(s), at the company's option, for any part(s) of the unit that has failed during the warranty period. Parts and labor expenses are covered on this unit for a period of one year from the date of purchase. A copy of the dated sales receipt/invoice is required to receive warranty service, replacement or refund.

This warranty covers appliances in use within the contiguous United States, Alaska, Hawaii and Puerto Rico. This warranty does not cover the following:

- Damages due to shipping damage or improper installation.
- Damages due to misuse or abuse.
- Content losses due to failure of the unit.
- Repairs performed by unauthorized service agents.
- Service calls that do not involve defects in material and workmanship such as instructions on proper use of the product or improper installation.
- Replacement or resetting of house fuses or circuit breakers.
- Failure of this product if used for other purposes than its intended purpose.
- Disposal costs for any failed unit not returned to our factory.
- Any delivery/installation costs incurred as the result of a unit that fails to perform as specified.
- Expenses for travel and transportation for product service if your appliance is located in a remote area where service by an authorized service technician is not available.
- The removal and reinstallation of your appliance if it is installed in an inaccessible location or is not installed in accordance with published installation instructions.
- Refunds for non repairable products are limited to the price paid for the unit per the sales receipt.
- This warranty is non transferable. This warranty applies only to the original purchaser and does not extend to any subsequent owner(s).

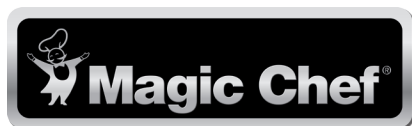
Limitations of Remedies and Exclusions:

Product repair in accordance with the terms herein, is your sole and exclusive remedy under this limited warranty. Any and all implied warranties including merchantability and fitness for a particular purpose are hereby limited to one year or the shortest period allowed by law. MC Appliance Corporation is not liable for incidental or consequential damages and no representative or person is authorized to assume for us any other liability in connection with the sale of this product. Under no circumstances is the consumer permitted to return this unit to the factory without the prior written consent of MC Appliance Corporation.

Some states prohibit the exclusion or limitation of incidental or consequential damages, or limitations on implied warranties. This warranty gives you specific legal rights, and you may also have other rights which vary from state to state.

Model	Parts	Labor	Type of Service
MCSRE24S	One Year	One Year	Carry In

For Service or Assistance please call **888-775-0202** or visit us on the web at www.mcappliance.com to request warranty service or order parts.



**CNA International, Inc. d/b/a MC Appliance Corporation. All rights reserved.
Magic Chef® logo is a registered trademark of CNA International, Inc.**

www.mcappliance.com

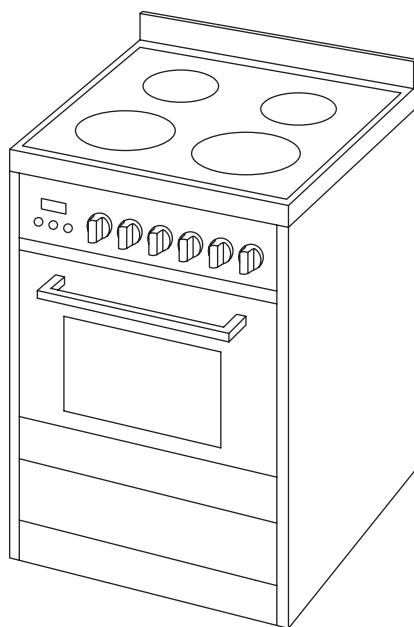
Printed in China



Magic Chef[®]

Estufa Eléctrica Independiente de 24 pulgadas

Manual del usuario



Modelo MCSRE24S

**LEA ESTE MANUAL ANTES DE UTILIZAR SU ESTUFA ELÉCTRICA Y
GUÁRDELO PARA FUTURA REFERENCIA.**



REGISTRACIÓN DEL PRODUCTO

Gracias por comprar el producto Magic Chef®. El primer paso para proteger su nuevo producto es completar la forma de registración en nuestra pagina web: www.mcappliance.com/register. Los beneficios de registrar su producto incluyen lo siguiente:

1. Al registrar su producto nos permite contactarle para notificarle de un cambio de seguridad o actualización del producto.
2. Si llegara a necesitar servicio bajo garantía, registrando su producto nos permite ser más eficiente en procesar el servicio.
3. En el evento que usted tenga una perdida que esta cubierto por un seguro, registrando su producto puede servir como prueba de su compra.

Una vez más gracias por comprar un producto marca Magic Chef.

ÍNDICE

REGISTRO DEL PRODUCTO	26
PRECAUCIONES	28
INSTRUCCIONES DE SEGURIDAD IMPORTANTES	29
ESPECIFICACIONES	32
PARTES Y FUNCIONES	33
REQUISITOS DE INSTALACIÓN	34
INSTRUCCIONES DE INSTALACIÓN	36
ANTES DE USAR	41
INSTRUCCIONES DE FUNCIONAMIENTO	42
CUIDADO Y MANTENIMIENTO	46
SOLUCIÓN DE PROBLEMAS	48
GARANTÍA LIMITADA	49

PRECAUCIONES

SIGNIFICADO DE LOS SÍMBOLOS

▲ ADVERTENCIA

Peligros o prácticas inseguras que PODRÍAN provocar lesiones graves o la muerte.

▲ PRECAUCIÓN

Peligros o prácticas inseguras que PODRÍAN provocar lesiones menores.

ESTE PRODUCTO ESTÁ DESTINADO EXCLUSIVAMENTE PARA USO DOMÉSTICO

▲ **ADVERTENCIA:** Lea con atención todas las advertencias de seguridad. Si no se siguen las instrucciones descritas en este manual del usuario se pueden producir choques eléctricos, incendios y/o lesiones graves. Las advertencias, precauciones e instrucciones detalladas en este manual del usuario no cubren todas las condiciones y situaciones posibles que podrían suceder.

ALIMENTACIÓN ELÉCTRICA

Si se sobrecarga un circuito eléctrico con otros aparatos, es posible que el Estufa Eléctrica no funcione correctamente. El Estufa Eléctrica se debe utilizar en un circuito eléctrico diferente al de otros aparatos en funcionamiento.

INSTRUCCIONES DE SEGURIDAD IMPORTANTES

▲ ADVERTENCIA: Para reducir el riesgo de incendio, descarga eléctrica o lesiones graves a personas, por favor lea y guarde todas las instrucciones antes de utilizar la Estufa Independiente Eléctrica.

Cuando utilice éste o cualquier otro aparato eléctrico, las precauciones de seguridad básicas deben ser observadas, incluyendo las siguientes:

1. LEA TODAS LAS INSTRUCCIONES ANTES DE UTILIZAR.
2. Haga que un técnico calificado instale correctamente y haga la conexión del aparato de acuerdo con el Código Nacional de Gas Combustible ANSI Z223.1 - última edición en los Estados Unidos, o en Canadá CAN/CGA B149.1, y CAN/CGA B149.2, y el Código Eléctrico Nacional ANSI/NFPA No. 70 - última edición en los Estados Unidos, o en Canadá CSA Estándar C22.1, Código Eléctrico Canadiense, Parte 1, y los requisitos de los códigos locales. Instale sólo conforme a las instrucciones de instalación previstas en este manual.
3. Este aparato es solo para uso doméstico. NO utilice el aparato al aire libre o para cualquier otro propósito.
4. Remueva todas las cintas adhesivas y embalaje antes de usar el aparato. NO permita que los niños jueguen con el material de embalaje. NO remueva la placa de modelo / serie anexa al aparato.
5. Para evitar riesgo de descarga eléctrica, SIEMPRE asegúrese que el aparato está apagado y completamente frío antes de limpiarlo o hacer cualquier clase de mantenimiento.
6. NO guarde, ni utilice gasolina, ni ningún otro vapor o líquido inflamable cerca de éste o de cualquier otro aparato.
7. La instalación y servicio debe ser realizada por un técnico calificado. Conozca cómo desconectar la fuerza eléctrica al aparato en el interruptor o caja de fusibles en caso de emergencia.
8. NO repare o cambie piezas del aparato a menos que esté específicamente recomendado en el manual. Todos los otros servicios deben ser realizados sólo por un técnico calificado. Esto puede reducir el riesgo de lesiones personales y daño al aparato.
9. Desconecte la electricidad antes de realizar el servicio.
10. NUNCA modifique o altere la construcción del aparato removiendo paneles, protectores de cables o cualquier otra parte del aparato.
11. Pueden resultar lesiones por el uso indebido de las puertas del aparato o cajones tales como montarse, recostarse o sentarse en las puertas o cajones.
12. Materiales inflamables NO deben ser almacenados sobre o en el aparato o cerca de la superficie de la unidad. Esto incluye papel, artículos de plástico o tela, tales como libros de cocina, objetos de plástico y paños, así como líquidos inflamables. NO guarde explosivos, tales como potes de aerosol en o cerca del aparato. Los materiales inflamables pueden explotar y resultar en incendio o daños materiales.
13. Mantenga el área de la estufa libre de materiales combustibles, gasolina y otros vapores inflamables y líquidos.
14. NO almacene artículos de interés para los niños en los gabinetes encima del aparato o en el protector contra salpicaduras de la estufa.
15. Los niños NO deben quedarse solos o desatendidos en el área cuando el aparato esté en uso. NO permita a los niños escalar o jugar alrededor del aparato. A ellos NUNCA se les debe permitir sentarse o pararse en ninguna parte del aparato. Los niños que escalen en el aparato para alcanzar artículos pueden resultar gravemente lesionados.

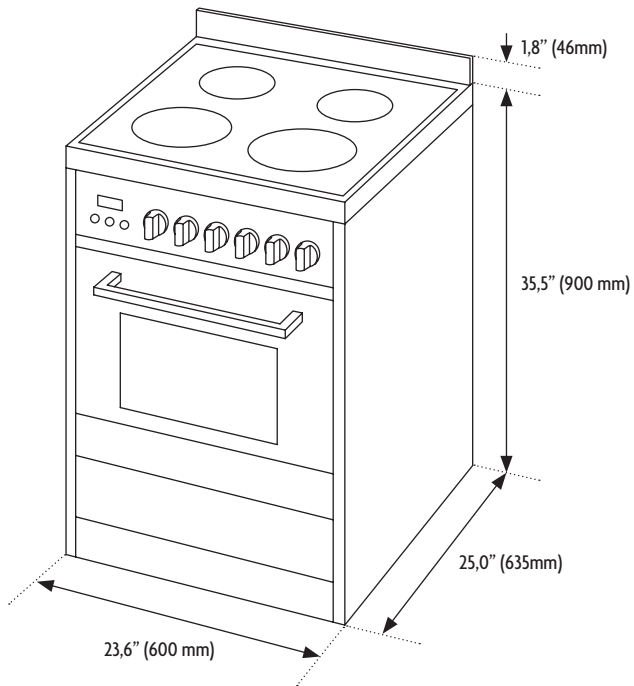
16. NO TOQUE LA SUPERFICIE PARA COCINAR, LOS QUEMADORES, PARRILLAS O CUALESQUIERA ÁREAS CERCA DE ELLAS. Las superficies de los quemadores en el aparato pueden estar calientes. Las áreas cerca de los quemadores o aparato puedan calentarse lo suficiente para causar quemaduras. NO toque o deje que la ropa u otro material inflamable toque estas áreas durante y después del uso hasta que estas hayan tenido tiempo suficiente para enfriarse.
17. NO utilice ropa suelta o prendas que cuelguen mientras esté usando el aparato. NO permita que la ropa u otros materiales inflamables hagan contacto con las superficies calientes.
18. NO utilice al agua en incendios de grasa. NUNCA agarre una sartén en llamas. Ahogue las llamas de grasa con la tapa de una olla, bicarbonato de sodio, o un extinguidor de químico seco o tipo espuma.
19. Si hay un incendio en el horno mientras usted está cocinando, ahogue la llama cerrando la puerta del horno y apagando el horno o empleando un extinguidor de químico seco o tipo espuma.
20. Use un extinguidor SOLO si:
 - a. Usted sabe que tiene un extinguidor Clase A, B, C y usted sabe cómo utilizarlo.
 - b. El incendio es pequeño y está contenido en el área donde comenzó.
 - c. El departamento de bomberos está siendo llamado.
 - d. Usted puede luchar contra el incendio con su espalda hacia una salida.
21. Cuando caliente manteca o grasa, vigílela de cerca. La manteca o la grasa podrían incendiarse si se permite que llegue a temperaturas muy calientes. Utilice un termómetro para grasa profundo cuando sea posible para supervisar la temperatura del aceite.
22. Para evitar derrames e incendios, utilice pequeñas cantidades de aceite cuando fría en una sartén para freír poco profunda y evite cocinar comidas congeladas con cantidades excesivas de hielo.
23. Utilice sólo agarra ollas secos. Los agarra ollas húmedos o mojados en superficies calientes pueden resultar en quemaduras de vapor. NO permita que los agarra ollas toquen los elementos de calentar, la llama o los quemadores. NO utilice un paño u otra tela voluminosa en lugar de agarra ollas.
24. NO caliente en contenedores de alimentos que estén cerrados. La acumulación de presión puede causar que el contenedor explote y resulte en lesiones.
25. Montarse, recostarse o sentarse en el aparato puede resultar en lesiones graves y también puede causar daños al aparato.
26. No utilice este aparato como un calentador de espacio para calentar la habitación.
27. Sepa cuál perilla controla cuál superficie de quemador. El quemador comenzará a ponerse rojo cuando está encendido, indicando que está calentando.
28. Limpie regularmente el aparato para mantener todas las partes libres de grasas que puedan incendiarse. Las campanas de extracción y los filtros de grasa deben mantenerse limpios. No permita que se acumule grasa en la campana o los filtros. Los depósitos de grasa en el ventilador podrían incendiarse. Cuando esté cocinando alimentos encienda el ventilador de la campana. Consulte al fabricante de la campana sobre las instrucciones de limpieza.
29. Para reducir el riesgo de quemaduras, ignición de materiales inflamables y derrames debido a contacto no intencional con el utensilio, el mango del utensilio debe estar posicionado de manera que esté hacia dentro y no se extienda sobre la superficie adyacente a los quemadores.
30. NUNCA deje las superficies de los quemadores desatendidas cuando estén puestos en fuego alto. Los botes al hervir causan humo y derrames grasientos que pueden causar ignición, la olla que se ha hervido seco se puede derretir.

31. NO utilice papel de aluminio para forrar cualquier parte del aparato. Utilice papel aluminio sólo para cubrir alimentos durante la cocción. La instalación incorrecta de esos forros puede resultar en riesgo de descarga eléctrica o incendio.
32. Solamente ciertos tipos de vidrio, vidrio / cerámica, cerámica, loza de barro cocido u otros utensilios vidriados / esmaltados son adecuados para el servicio del aparato sin quebrarse debido al cambio repentino de temperatura. Verifique las recomendaciones del fabricante para el uso del aparato.
33. NO utilice cobertores decorativos de las superficies de los quemadores. Si un quemador accidentalmente se enciende, el cobertor decorativo se pondrá caliente y posiblemente se derretirá. Usted no será capaz de ver que la hornilla está encendida. Quemaduras ocurrirán si se tocan los cobertores calientes. También se puede hacer daño a la estufa o a los quemadores porque los cobertores pueden causar un sobrecalentamiento. El aire será bloqueado del quemador y causará problemas de combustión.
34. Utilice el tamaño de sartenes adecuados. Este aparato está equipado con unidades de superficie de diferentes tamaños. Seleccione los utensilios que tengan la parte inferior plana suficientemente grande para cubrir la superficie de la unidad. El uso de utensilio de menor tamaño expondrá una porción de la superficie de calor al contacto directo y podría resultar en la ignición de la ropa. La relación adecuada del utensilio con la unidad de la superficie también mejorará la eficiencia.
35. Asegúrese que el soporte antivuelco esté correctamente instalado y en uso.
36. Evite rasguñar o golpear la puerta de vidrio, la estufa o los paneles de control. Esto puede conducir a la rotura del vidrio. NO cocine en un aparato con el vidrio roto. Descarga, incendio, o cortes pueden ocurrir.
37. Tenga prendido el ventilador de la campana cuando prepare alimentos llameantes.

GUARDE ESTAS INSTRUCCIONES PARA FUTURAS REFERENCIAS

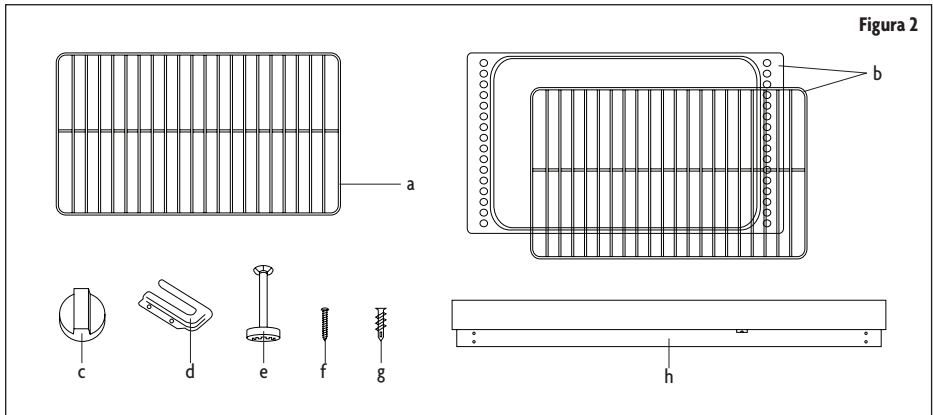
ESPECIFICACIONES

Figura 1



Altura	35,5" (900 mm)
Ancho	23,6" (600 mm)
Profundidad	23,6" (600 mm)
Profundidad con protector contra salpicaduras	25,0" (635mm)
Peso neto:	125 lbs. (56,5 kg)
Capacidad:	2,2 pies cúbicos
Rango de voltaje	240 V, 60 Hz
Rango de potencia	Consulte «Especificaciones eléctricas» en la página 38.

PARTES Y FUNCIONES



- a. Parrillas del horno (2)
- b. Juego de parrilla: Cuenco & Anti salpicaduras (1)
- c. Perillas (6)
- d. Soporte antivuelco (1)
- e. Patas (4)
- f. Tornillos (2)
- g. Anclajes (2)
- h. Protector contra salpicaduras opcional (1)

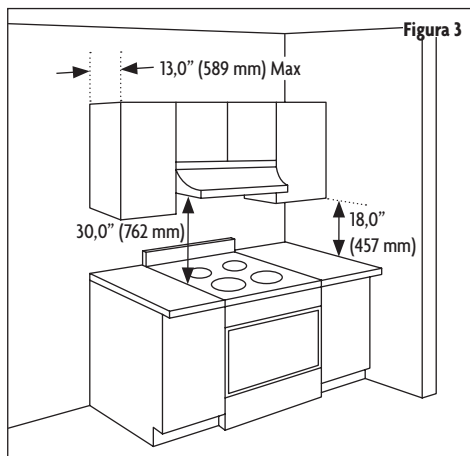
REQUISITOS DE INSTALACIÓN

VENTILACIÓN

▲ ADVERTENCIA: La estufa debe tener ventilación propia a efectos de mantener la unidad funcionando correctamente y mantener la temperatura de los alrededores inmediatos dentro de los límites seguros. Verifique los códigos locales de su edificación dado que ellos pueden variar de las reglas generales indicadas en esta guía. Se recomienda que se instale una campana sobre la estufa que sea clasificada no menos de 400 pies cúbicos por minuto (CFM, por sus siglas en inglés). Esto proporcionará ventilación adecuada para esta estufa. La distancia de montaje de su ventilación está indicada por el fabricante de su campana.

Para evitar daños a sus gabinetes, verifique con el constructor o el proveedor de los gabinetes para asegurarse que los materiales empleados no se decolorarán, no se separarán las láminas, o sufrirá otro daño. Este horno ha sido diseñado conforme a los requerimientos de UL y CSA International y cumple con las temperaturas máximas permitidas para gabinetes de madera de 200°F.

- Observe todos los códigos y las ordenanzas vigentes. NO obstruya el flujo de combustión y el aire de ventilación.
- Es responsabilidad del instalador cumplir con los espacios de instalación especificados en la placa de clasificación de modelo / serie.
- La estufa debe ser ubicada para uso conveniente en el cuarto de cocina.
- Las instalaciones empotradas deben suministrar anexos completos de los lados y parte posterior de la estufa.
- Para eliminar el riesgo de quemaduras o incendio por alcanzar excesivo calor las unidades de la superficie, se debe evitar ubicar gabinetes de almacenaje encima de las unidades de la superficie. Si va a proporcionar gabinete de almacenaje, el riesgo puede reducirse mediante la instalación de una campana extractora o la combinación de microondas y campana con mínimo 400 CFM que se proyecte horizontalmente a un mínimo de 5» (127 mm) más allá de la parte inferior de los gabinetes.
- Si se instala una campana extractora sobre el aparato, mantenga un espacio mínimo de 30” entre la superficie para cocinar y la parte inferior de la campana extractora. La campana extractora debe estar conectada directamente al ducto o a la parte exterior.
- Evite colocar ebanistería directamente sobre el aparato cuando sea posible. Si se utiliza ebanistería sobre la superficie para cocinar, utilice gabinetes que no tengan una profundidad mayor de 13”. Asegúrese que las paredes que cubran, las encimeras y los gabinetes alrededor del aparato puedan soportar calor de hasta 200°F generado por el aparato.
- Las dimensiones de abertura de los gabinetes que se muestran en la Figura 3 deben ser usadas. Las dimensiones dadas son el mínimo de espacio.
- Las áreas de trabajo adyacentes a la estufa deben tener un espacio mínimo de 18” (457 mm) entre la encimera y la parte inferior del gabinete.
- Todas las aberturas en la pared o piso donde la estufa se vaya a instalar deben ser selladas.
- Póngase en contacto con un instalador calificado de revestimiento de piso para verificar que el revestimiento puede soportar al menos 200°F.
- Utilice una almohadilla aislante o contrachapado de ¼” (64 mm) debajo de la estufa, si se instala la estufa sobre alfombra.



- El soporte antivuelco del piso debe ser instalado. Para instalar el soporte antivuelco enviado con la estufa, consulte la sección «Soporte antivuelco» en la página 36.
- Se requiere suministro eléctrico conectado a tierra. Consulte la sección “Conexión eléctrica” en la página 38.

REQUISITOS PARA CASA RODANTE

La instalación de esta estufa debe estar conforme al Título 24 CFR, Parte 3280 de los Estándares de Construcción y Seguridad de Casas Prefabricadas (antes los Estándares Federales de Construcción y Seguridad para Casas Móviles, Título 24, HUD Parte 280). Cuando tales estándares no son aplicables, utilice los Estándares para Instalación de Casas Prefabricadas, ANSI A225.1/NFPA 501A o los códigos locales. En Canadá, la instalación de esta estufa deberá cumplir con la última edición de los estándares actuales CAN/CSA-A240, o con los códigos locales.

Cuando esta estufa se instale en una casa rodante, deberá estar asegurada al piso durante el tránsito. Cualquier método para asegurar la estufa es adecuado siempre y cuando esté en cumplimiento con los estándares indicados arriba.

INSTRUCCIONES DE INSTALACIÓN

DESEMBALAJE E INSTALACIÓN DE LAS PATAS NIVELADORES Y EL PANEL POSTERIOR

▲ ADVERTENCIA: Peligro de peso excesivo / Peligro de volcamiento

- Un niño o adulto puede inclinar la estufa y resultar muerto.
 - Emplee dos o más personas para mover e instalar la estufa.
 - No seguir estas instrucciones puede resultar en muerte o quemaduras graves para niños y adultos.
1. Quite el material de embalaje de la estufa. NO quite la película protectora que cubre el aparato. NO quite la cinta adhesiva que asegura la gaveta.
 2. Quite las parrillas del horno y el paquete de partes que están dentro del horno.
 3. Quite las cuatro (4) esquinas de cartón con forma de L de la caja. Apile una esquina de cartón encima de la otra. Repita con las otras 2 esquinas.
 4. Coloque las pilas de cartón en el suelo detrás de la estufa para apoyar la estufa cuando esté recostada en su parte posterior.
 5. Empleando 2 o más personas agarre firmemente la estufa y déjela caer suavemente en su parte de atrás en las esquinas de cartón.
 6. Instale las patas niveladores una por una. Las patas niveladoras se pueden encontrar en la caja que estaba adentro del horno.
 7. Coloque el cartón o aglomerado en frente de la estufa. Empleando 2 o más personas, levante la parte de atrás de la estufa en el cartón o aglomerado.
 8. Quite la película protectora que cubre el aparato. Quite la cinta adhesiva que asegura la gaveta.
 9. El panel trasero de acero inoxidable ahora puede ser instalado. Coloque el panel en las bisagras en la parte superior trasera de la estufa. Luego fije el panel a la estufa utilizando los tornillos suministrados.

SOPORTE ANTIVUELCO

▲ ADVERTENCIA: Peligro de volcamiento

- Un niño o adulto puede inclinar la estufa y resultar muerto.
- Conecte el soporte antivuelco a la pata trasera.
- Vuelva a conectar el soporte antivuelco, si se mueve la estufa.
- No seguir estas instrucciones puede resultar en muerte o quemaduras graves para niños y adultos.

Póngase en contacto con un instalador calificado de revestimiento de piso para el procedimiento de apertura de huecos para el montaje a través de su tipo de revestimiento de piso.

Reúna las herramientas y las piezas necesarias antes de iniciar la instalación. Lea y siga las instrucciones suministradas con cualesquiera de las herramientas listadas aquí.

Herramientas necesarias para la instalación

- Talado eléctrico o manual
- Broca
 - Pisos de concreto / cerámica: Broca para mampostería de 3/16" (4,6 mm)
 - Pisos de Madera: Broca de 1/8" (3,2 mm)
- Destornillador plano

- Martillo
- Cinta métrica
- Cinta adhesiva

Partes suministradas para la instalación

- Soporte antivuelco (1)
- Anclajes plásticos (2)
- Tornillos (2)

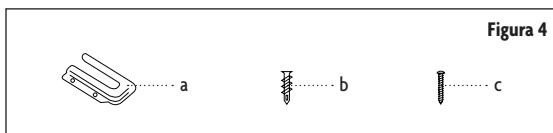


Figura 4

Instale el soporte antivuelco para agarrar la pata trasera izquierda de la estufa deslizable. Siga estos pasos para asegurar la estufa al piso antes de mover al estufa a su posición final de funcionamiento.

- Antes de mover la estufa, deslice la estufa sobre la base de embalaje de cartón o aglomerado.
- Se recomienda crear una plantilla de papel para ayudar con la instalación. Coloque esta plantilla en el suelo en la abertura del gabinete de modo que el borde izquierdo esté contra el gabinete y el borde superior esté contra la pared posterior, moldura o gabinete. (Consulte la Figura 5).
- Pegue con cinta adhesiva la plantilla en el lugar.
- Si la encimera es más profunda que 25" (635 mm), mida y marque una distancia de 25" (635 mm) adentro desde la parte del frente de la encimera y alinee la plantilla con la marca. (Consulte la Figura 6).
- Si la encimera no está al ras con el borde de abertura del gabinete, alinee la plantilla con el saliente.
- Si la abertura del gabinete es mayor que la especificada en las Instrucciones de instalación, ajuste la plantilla de manera que la estufa quede centrada en la abertura del gabinete.
- Para colocar el soporte antivuelco al piso de madera, perfore dos agujeros de 1/8" (3,2 mm) en las posiciones marcadas en la plantilla de soporte. (Consulte la Figura 7).
- Remueva la plantilla del piso.
- Inserte los anclajes de plástico en los agujeros con un martillo.
- Alinee los huecos del soporte antivuelco con los huecos en el piso. Asegure el soporte antivuelco con los tornillos suministrados. (Consulte la Figura 8).
- Mueva la estufa cerca de la abertura. Remueva la base de embalaje, cartón o aglomerado de la parte de abajo de la estufa. Conecte el cable al suministro eléctrico según se describe en la sección «Conexión eléctrica» en la página 38. Mueva la estufa a la posición final, asegurándose que la pata de nivelación trasera se deslice sobre soporte antivuelco. (Consulte la Figura 9).
- Continúe instalando su estufa siguiendo las Instrucciones de instalación.

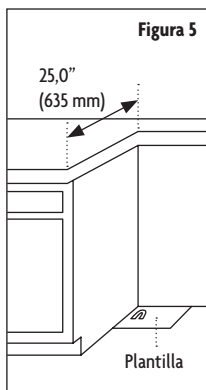


Figura 5

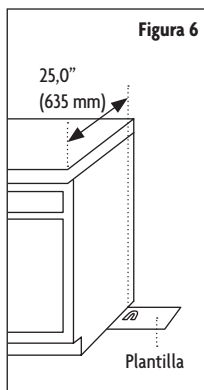


Figura 6

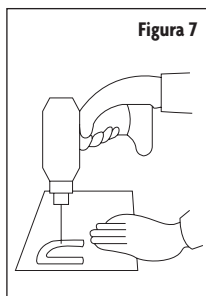


Figura 7

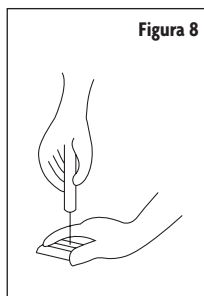


Figura 8

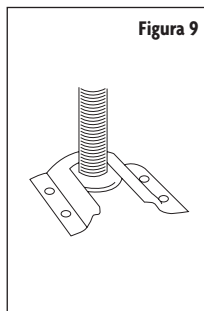


Figura 9

CONEXIÓN ELÉCTRICA

▲ **ADVERTENCIA:** Peligro de descarga eléctrica

- NO utilice un adaptador.
- NO utilice un cable de extensión.
- No seguir estas instrucciones puede resultar en muerte, incendio o descarga eléctrica.
- Las conexiones eléctricas deben ser llevadas a cabo por un técnico de servicio calificado de acuerdo al juego de instrucciones y a todos los códigos y requerimientos locales.

Este aparato no está provisto con un enchufe y necesita ser conectado directamente a la red eléctrica.

Si usted desea instalar este aparato con un enchufe, debe ser instalado por un técnico calificado. El enchufe debe ser de 4 puntas, conector de alimentación de 3 fases que está diseñado especialmente para cocinas y hornos.

Requisitos eléctricos: 220-240 V/50-60 Hz. Con la recomendación para conectar a una fuente de alimentación de 50 amp.

Especificaciones eléctricas	
Sistema	Vataje
Luz del horno	25 W (2)
Elemento de calentamiento superior	2450 W / 1960 W
Elemento de calentamiento inferior	1361 W
Elemento de calentamiento de la parrilla	2560 W
Elemento de calentamiento convencional	1960 W
Motor de ventilación	20 W
Ventilador de refrigeración	18 W

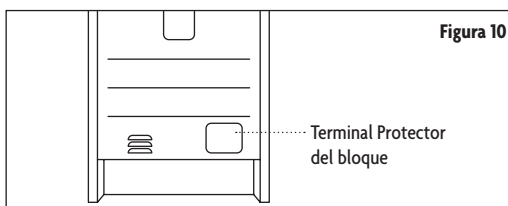
▲ **ADVERTENCIA:** ANTES DE HACER UNA CONEXIÓN ELÉCTRICA ASEGÚRESE QUE

- El interruptor de seguridad y el sistema eléctrico son capaces de soportar la carga del aparato. Consulte la etiqueta de clasificación en la parte posterior de la estufa.
- La placa de clasificación está ubicada en la parte posterior de la estufa en caso de que usted necesite verificar cualesquiera de los requerimientos eléctricos.
- El sistema de suministro eléctrico tiene una conexión a tierra en buenas condiciones de funcionamiento de conformidad con los reglamentos vigentes.
- El toma corriente es fácilmente accesible con el aparato instalado. En todos los casos, el cable de alimentación eléctrica debe estar posicionado de manera que no alcance una temperatura de 122°F por encima de la temperatura del cuarto en ningún punto.
- El fabricante no es responsable por ningún daño directo o indirecto causado por la instalación o conexión defectuosa. Por lo tanto, es necesario que todas las operaciones de instalación y conexión sean llevadas a cabo por personal calificado que cumpla con los reglamentos generales y locales vigentes.

CONEXIÓN ELÉCTRICA

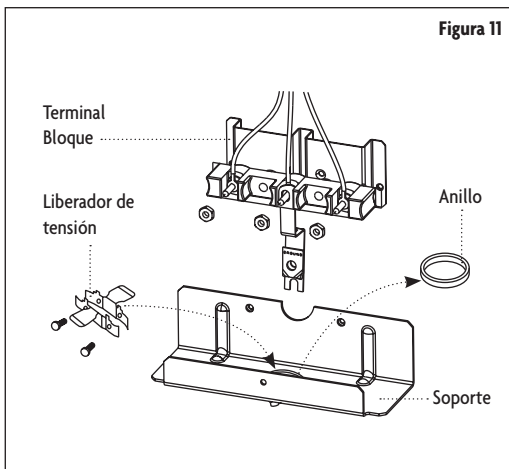
Siga estos pasos para el proceso de instalación de 3 cables y 4 cables.

1. Remueva al protector del cable en la parte trasera de la estufa removiendo los dos (2) tornillos utilizando del destornillador Phillips. (Consulte la Figura 10).



▲ NOTA: NO descarte esos tornillos.

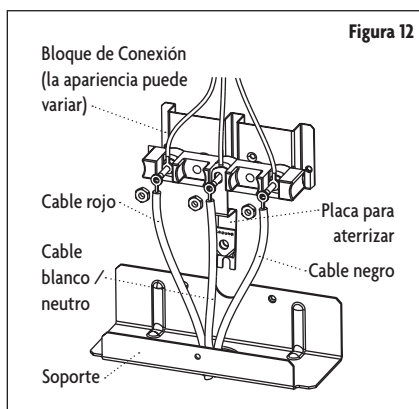
2. Remueva el anillo (1-3/8") ubicado directamente en el soporte debajo del bloque de conexión. Para remover el anillo, use un par de alicates para doblar el anillo fuera del soporte y gire hasta que el anillo sea removido. (Consulte la Figura 11).
3. Ensamble el liberador de tensión en el orificio. Inserte el cable de alimentación a través del liberador de tensión y ajuste. Permita suficiente soltura para adjuntar fácilmente los terminales del cable al bloque de conexión. Si hay lengüetas presentes al final del alado de liberador de tensión, se pueden remover para mejor ajuste. (Consulte la Figura 11).



▲ NOTA: NO instale el cable de alimentación sin un liberador de tensión. El soporte del liberador de tensión DEBE ser instalado antes de instalar nuevamente el protector del cable posterior de la estufa.

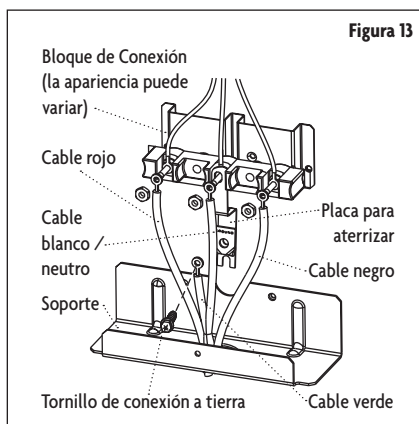
Instalación de 3 cables (Conexión a tierra es través el cable neutro)

1. Remueva los 3 tornillos inferiores del bloque de conexión. NO afloje los tornillos de arriba.
2. NO corte o retire la conexión a tierra.
3. Inserte los 3 tornillos a través de cada anillo terminal del cable de alimentación y de vuelta al bloque de conexión. Tenga la certeza de que el cable blanco / neutro esté en el centro. Apriete firmemente cada tornillo (35 a 50 pulg.- lb.).
4. Reemplace el protector del cable en la parte posterior de la estufa deslizando su borde izquierdo debajo de las lengüetas de retención y reemplace los tornillos que fueron removidos antes. Asegúrese de que no hayan cables comprimidos entre el protector y la parte posterior de la estufa. (Consulte la Figura 12).



Instalación de 4 cables (Conexión separada a tierra)

1. Remueva los 3 tornillos inferiores del bloque de conexión. NO afloje los tornillos de arriba.
2. Remueva el tornillo de tierra y la placa de tierra y guárdelos.
3. Corte la conexión a tierra debajo del bloque de conexión y descarte la sección inferior.
4. Inserte el tornillo de tierra a través de la placa de tierra (removido anteriormente) y de vuelta al marco de la estufa. Apriete firmemente, pero no sobre apriete (15 a 20 pulg.- lb.).



5. Inserte los 3 tornillos de los terminales a través de cada anillo del cable de alimentación eléctrica y de vuelta al bloque de conexión. Tenga la certeza de que el cable blanco / neutro esté en el centro. Apriete firmemente cada tornillo (35 a 50 pulg.- lb.).
6. Reemplace el protector del cable en la parte posterior de la estufa deslizando su borde izquierdo debajo de las lengüetas de retención y reemplace los tornillos que fueron removidos antes. Asegúrese de que no hayan cables comprimidos entre el protector y la parte posterior de la estufa. (Consulte la Figura 13).

ANTES DE USAR

ANTES DE USAR POR PRIMERA VEZ

1. Antes de cocinar por primera vez el vidrio de cerámica tiene que ser limpiado. Remueva cualquier etiqueta o laminado de protección.
2. Coloque una cacerola de agua en cada uno de los quemadores del frente y póngalos a fuego alto por los menos 30 minutos.
3. Después de 30 minutos apague los controles de los quemadores del frente, coloque la cacerola con agua en cada uno de los quemadores posteriores y en los quemadores centrales. Ponga el control en alto por al menos 30 minutos.
4. Este procedimiento es necesario con el objeto de evaporar cualesquiera aceites protectores y humedad que hayan podido ser recogidos durante el proceso de manufactura y esto permitirá que los circuitos de control electrónico funcionen correctamente.

UTENSILIOS PARA COCINAR EN LA ESTUFA

▲ ADVERTENCIA: NO coloque artículos plásticos tales como saleros y pimenteros, posa cucharas o envoltorios de plásticos en la parte superior del aparato cuando esté en uso. Estos artículos se pueden derretir o incendiar. Los agarra ollas, paños o cucharas de madera pueden incendiarse si están colocados muy cerca del calor.

▲ NOTA: SIEMPRE utilice los utensilios para el propósito previsto. Siga las instrucciones del fabricante. Algunos utensilios no fueron hechos para ser usados en el horno o en la estufa.

- Para mejores resultados y ahorro de energía, utilice sólo sartenes adecuados para cocción eléctrica.
- La parte inferior de la sartén debe ser muy gruesa y perfectamente plana.
- Antes de colocar en el quemador, asegúrese de que la sartén y el quemador, estén perfectamente limpios y secos.
- Para evitar rasguños en la superficie del vidrio de cerámica, NUNCA utilice sartenes de hierros fundido o sartenes con fondo áspero.

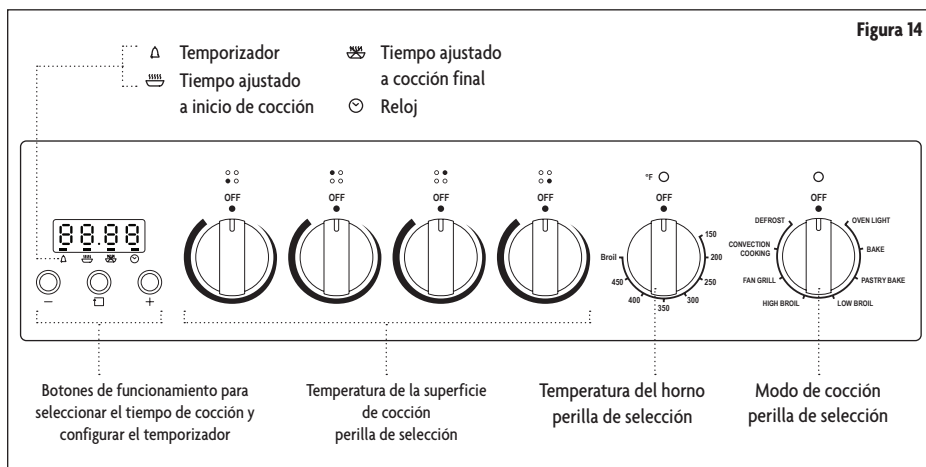
TAMAÑO DE LAS CACEROLAS

- Para evitar pérdida de energía, asegúrese que el diámetro del fondo de la sartén es 0.8" (20 mm) más grande que el círculo marcado en la hornilla.
- Los tamaños de las cacerolas indicados en el cuadro que aparece abajo son adecuados para su superficie de cerámica. Cacerolas y sartenes sólidos con fondos planos son recomendados para cocinar eficientemente.

Área del quemador	Diámetro del área	Diámetro mínimo de la sartén
Área de cocción A	5-1/2 pulgadas (230 mm)	8-1/4 pulgadas (210 mm)
Área de cocción B	8-5/8 pulgadas (165 mm)	5-3/4 pulgadas (145 mm)
Área de cocción C	7-1/8 pulgadas (200 mm)	7-1/8 pulgadas (180 mm)

INSTRUCCIONES DE FUNCIONAMIENTO


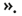

CONTROL DEL HORNO



MODOS DE COCCIÓN








- Luz del horno (Oven light): Enciende las luces del horno cuando se selecciona.
 - Hornear (Bake): Utilizado para cocción tradicional. Los elementos de calentamiento superiores e inferiores se utilizan junto con las corrientes de convección térmica natural para distribuir el calor. Es mejor hornear en una sola parrilla a la vez, utilizando esta función para garantizar el mejor resultado.
 - Hornear masa (Pastry Bake): Similar a hornear pero esta función también tiene un ventilador para circular aire caliente alrededor del horno. Esta es ideal para alimentos que necesitan una fuente de calor fuerte en la parte inferior pero todavía requieren algún calor en la parte superior, tales como pasteles, pasteles y tartas.
 - Asar bajo (Low broil): Perfecto para dorar platos al terminar la cocción. Para resultados óptimos, use en conjunto con el ajuste de temperatura para asar.
 - Asar alto (High broil): Mejor para fundir quesos, tostar o dorar. Esta función debe usarse solo por 5 minutos o menos. Para resultados óptimos, use en conjunto con el ajuste de temperatura para asar.
 - Parrilla de ventilación (Fan grill): Utiliza un elemento de parrilla de calor alto y ventilador para circular al aire caliente en todo el horno. Ideal para cocinar cortes de carnes grandes de manera que queden jugosos por dentro y crujientes por fuera. Use un termómetro para verificar la temperatura interna.
- ▲ NOTA:** Se recomienda no poner la temperatura a más de 400°F.
- Cocción de convección (Convection cooking): Utiliza el elemento de calentamiento potente que rodea al ventilador para distribuir uniformemente el calor en todo el horno. Esto es genial para cocción en múltiples estantes porque el ventilador asegura que cada estante sea calentado.
 - Descongelar (Defrost): Circula aire a temperatura ambiente para descongelar alimentos.

RELOJ DIGITAL (DIGITAL CLOCK)


1. Una vez que el horno esté conectado a la corriente eléctrica, el reloj mostrará las «12:00» con el símbolo «» arriba «».
2. Presione el botón «+» o «-» para aumentar o disminuir el número hasta que llegue a la hora correcta.
3. Después de 5 segundos el reloj comenzará automáticamente o usted puede presionar el botón «» para hacerlo funcionar.

TEMPORIZADOR (TIMER)










Ajuste del temporizador (Timer setting)

1. Presione el «» botón repetidamente hasta que el símbolo «» arriba de «» parpadee.
2. Presione «+» o «-» hasta que la hora que usted desee se muestre en la pantalla. El tiempo de cocción más largo que puede ser fijado es 23 horas y 59 minutos.
3. Luego de fijar el tiempo adecuado (hora / minutos), el símbolo «» arriba de «» comienza a parpadear.
4. Comienza la cuenta regresiva.
5. Cuando llegue al tiempo fijado, el símbolo «» arriba del «» parpadea, y la alarma sonará.
6. Para apagar el timbre de la alarma, presione cualquier botón.







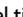

▲ IMPORTANTE:

- La fijación debe ser efectuada en 5 segundos.
- Si la electricidad falla repentinamente, todo el procedimiento de fijación y la propia hora del reloj (hora / minutos) desaparecerán.
- Después de que la fuerza eléctrica vuelva nuevamente, «12:00» y el símbolo cuadrado arriba «» se mostrará en la pantalla, usted necesitará fijar la hora nuevamente.

Ajuste del temporizador totalmente automático (Full automatic timer setting)

1. Presione el botón «» repetidamente hasta que el símbolo «» arriba de «» parpadee, y presione el botón «+» o «-» para establecer cuanto tiempo necesita cocinar el horno.
2. Presione el botón «» repetidamente hasta que el símbolo «» arriba de «» parpadee, y presione el botón «+» o «-» para establecer el tiempo para que el horno pare de cocinar y se apague.
3. Ajuste las perillas para seleccionar modo de cocción y temperatura.
4. Los símbolos «» arriba de «» y «» parpadearán. Esto indica que el temporizador de cocción ha sido puesto. La cocción comenzará y finalizará conforme a lo programado en el temporizador.

Por ejemplo, si el alimento es requerido que sea horneado por 45 minutos y está supuesto a parar a las 2:00:

1. Presione el botón «» repetidamente hasta que el símbolo «» arriba de «» parpadee, y fije el tiempo de cocción a 45 minutos.
2. Presione el botón de la función repetidamente hasta que el símbolo «» arriba de «» haya parpadeado, y fije la terminación de la cocción a las «2:00».
3. El propio tiempo (hora / minuto) y el símbolo «» se mostrará en la pantalla. Esto indica que la fijación del temporizador de cocción ha sido puesto.
4. Cuando el reloj muestre «1:15», el horno se encenderá automáticamente y comenzará la cocción.
5. Durante el tiempo de cocción, el símbolo «» se mantendrá parpadeando.
6. Cuando el reloj muestre las «2:00», se detendrá la cocción y el horno se apagará automáticamente, la alarma sonará, y el símbolo «» parpadeará.

7. Para apagar el timbre de la alarma, presione cualquier botón.

Ajuste del temporizador semiautomático (Semi-automatic timer setting)

- A. Ajustando el temporizador a la duración del tiempo de cocción
 1. El tiempo máximo que puede ser fijado es 10 horas.
 2. Presione el botón « □ » repetidamente hasta que el símbolo « ■ » arriba « ⏱ » parpadee. Presione el botón « + » o « - » y fije el temporizador por cuanto tiempo el horno necesita cocinar.
 3. Encienda el horno inmediatamente, el símbolo « ■ » arriba « ⏱ » comienza a parpadear.
 4. Ajuste las perillas para seleccionar modo de cocción y temperatura.
 5. Cuando la cantidad total de tiempo fijado ha pasado, la cocción se detendrá y el horno se apagará automáticamente.
 6. El símbolo « ■ » arriba « ⏱ » parpadeará y la alarma sonará.
 7. Para apagar el timbre de la alarma, presione cualquier botón.
- B. Ajustando el temporizador con la hora de terminación de cocción
 1. El tiempo de cocción más largo que puede ser fijado es 23 horas y 59 minutos.
 2. Presione el botón « □ » repetidamente hasta que el símbolo « ■ » arriba « ⌚ » parpadee. Presione el botón « + » o « - » y fije la hora para que el horno pare la cocción.
 3. Encienda el horno de inmediato, el símbolo « ■ » arriba « ⌚ » comienza a parpadear.
 4. Ajuste las perillas para seleccionar modo de cocción y temperatura.
 5. Cuando alcance la hora establecida, la cocción se detendrá y el horno se apagará automáticamente.
 6. El símbolo « ■ » arriba « ⌚ » parpadea, y la alarma sonará.
 7. Para apagar el timbre de la alarma, presione cualquier botón.

▲ **NOTA:** El procedimiento de ajuste de temporizador puede verse pulsando cualquier botón de función repetidas veces en cualquier momento.

▲ **NOTA:** Ajustando la hora final de la cocción al tiempo actual, el procedimiento de fijación del temporizador puede ser cancelado.

UBICACIÓN DE LOS QUEMADORES

- a. Área de cocción individual - 2200W (1)
- b. Área de cocción individual - 1200W (2)
- c. Área de cocción individual - 1800W (1)
- d. Electricidad & Luces de advertencia de calor residual (4)

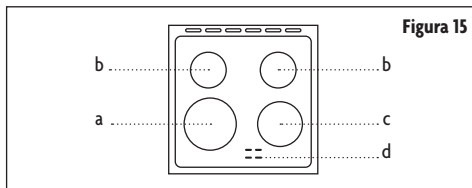


Figura 15

DESCRIPCIÓN DE LAS LUCES DE ADVERTENCIA

Consulte la Figura 16.

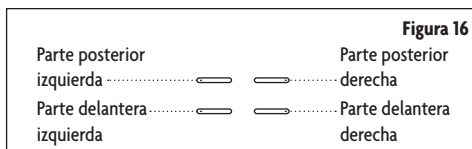


Figura 16

FIJANDO LOS CONTROLES DE LA ESTUFA

1. Gire la perilla de control a la posición deseada. La intensidad del calor va de BAJA (LOW) a la derecha a ALTA (HIGH) a la izquierda.
2. El ajuste es continuo de manera que el área de cocción funcionará a cualquier fijación intermedia entre baja y alta.
3. Una vez que el área de cocción esté caliente, el (LED, por sus siglas en inglés) correspondiente al área se iluminará.
4. Para apagar el área de cocción gire la perilla en cualquier dirección a la posición «OFF (APAGADO)».
5. La luz de advertencia de calor residual permanecerá iluminada cuando la temperatura de la superficie de vidrio de cerámica esté caliente y se apagará una vez que la temperatura de la superficie se haya enfriado.

CUIDADO Y MANTENIMIENTO

▲ ADVERTENCIA: Para evitar el riesgo de descarga eléctrica, SIEMPRE asegúrese de que el aparato esté apagado y completamente frío antes de limpiarlo o realizar cualquier tipo de mantenimiento.

▲ PRECAUCIÓN:

- Para evitar posibles quemaduras, tenga cuidado cuando limpie el aparato.
- NO intente limpiar el aparato cuando el horno o los cabezales de los quemadores estén todavía calientes.
- Para evitar posibles quemaduras NO intente realizar ninguna de las instrucciones de limpieza siguientes antes de apagar todos los quemadores de la superficie permitiendo que se enfrien.

▲ NOTA: SIEMPRE siga las instrucciones de la etiqueta en los productos de limpieza.

PERILLAS DE CONTROL

- Para la limpieza general, utilice agua caliente, jabonosa y un paño.
- Para sucios más difíciles y grasa acumulada, aplique detergente líquido directamente sobre el sucio. Enjuague con un paño húmedo y seque.
- NO utilice lana de acero o limpiadores ácidos en las perillas ya que pueden rayar.

ACERO INOXIDABLE

- Limpie el acero inoxidable con agua caliente, jabonosa y una esponja. Enjuague con agua limpia y un paño.
- NO use limpiadores con altas concentraciones de cloruros o cloros. NO use limpiadores abrasivos. Utilice sólo limpiadores de cocina que sean hechos especialmente para limpiar acero inoxidable.

DENTRO DEL HORNO

- Este aparato NO tiene función auto limpiante.
- NO intente limpiar el aparato cuando el horno esté todavía caliente.
- Utilice un producto de limpieza apropiado designado especialmente para limpiar la parte interior de los hornos.

▲ NOTA: SIEMPRE siga las instrucciones de la etiqueta en los productos de limpieza.

LIMPIEZA DEL ELEMENTO DE PARRILLA INFERIOR INTERIOR

- Para quitar el elemento, apoye un lado con su mano mientras retira el retenedor con la otra.
- Cuando limpie, asegúrese de no aplicar excesiva fuerza en el elemento dado que es frágil.
- Coloque de nuevo el elemento y asegure el retenedor de vuelta a su lugar.
- NO utilice el horno con el elemento de parrilla colgando hacia abajo – este debe ser colocado de nuevo en su lugar después de la limpieza.

CAJÓN DE ALMACENAMIENTO

- Asegúrese de que el cajón este frío y vacío antes de limpiarlo.
- Utilice detergente suave.

EXTERIOR DE LA PUERTA DEL HORNO

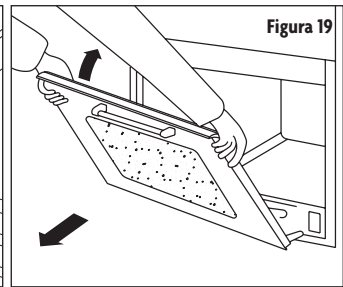
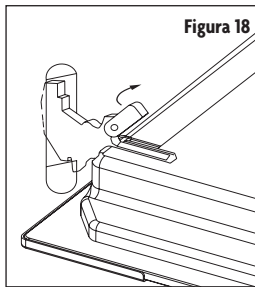
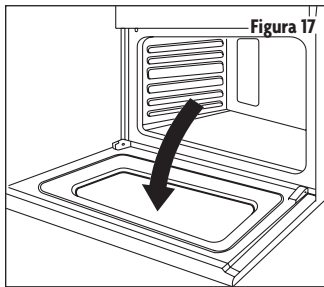
- Utilice un limpiador de vidrio y un paño suave o esponja.
- Aplique limpiador de vidrio al paño suave o a la esponja, no directamente en el panel.

RETIRO Y LIMPIEZA DE LA PUERTA DEL HORNO

Para el uso normal de la estufa, no se aconseja quitar la puerta del horno. Sin embargo, si es necesario quitarla, asegúrese de que el horno esté apagado y frío. La puerta del horno es pesada. Siga las instrucciones siguientes.

1. Abra la puerta completamente. (Consulte la Figura 17).
2. Levante y empuje las manijas pequeñas ubicadas en las dos ranuras hacia atrás. (Consulte la Figura 18).
3. Mientras sujeta la puerta por cada lado, cierre la puerta hasta que la unidad toque las manijas.
4. Luego continúe cerrado la puerta hasta que esté como a 4" (100 mm) de estar completamente cerrada.
5. Hale la puerta hacia usted, sacándola afuera de su puesto. La puerta saldrá suavemente del horno. (Consulte la Figura 19).
6. Para colocar nuevamente la puerta, realice el procedimiento anterior a la inversa.

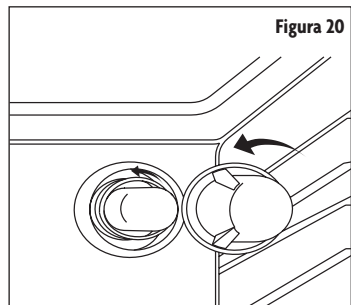
▲ NOTA: Si la puerta no sale del horno con facilidad, NO la fuerce.



CAMBIO DEL BOMBILLO DE LUZ INTERIOR DEL HORNO

▲ ADVERTENCIA: Para reducir el riesgo de descarga eléctrica, asegúrese que el aparato esté apagado antes de reemplazar la lámpara.

1. Retire el protector de vidrio girándolo en sentido contrario al de las agujas del reloj. (Consulte la Figura 20).
2. Reemplace la luz con un bombillo de alta temperatura que cumpla con los criterios siguientes:
 - 240 V
 - 25 W
 - Tipo: E-14



SOLUCIÓN DE PROBLEMAS

Problema	Causas posibles	Soluciones
No funciona o no enciende.	Sin electricidad	Verifique que los cables eléctricos estén conectados a la red eléctrica correctamente. Consulte la sección «Conexión eléctrica» en la página 38.
	El fusible del hogar se fundió o el interruptor se disparó.	Reemplace el fusible o reestablezca el interruptor.
Los quemadores de la estufa no funcionan.	La perilla de control está colocada en forma incorrecta.	Presione la perilla antes de girarla a una configuración. Asegúrese de que el quemador correcto se haya encendido.
Calor excesivo alrededor del utensilio de cocina en la superficie para cocinar.	El utensilio de cocina tiene un tamaño que no es el adecuado.	Emplee utensilios de cocina del mismo tamaño que la superficie del área de cocción, elemento o superficie del quemador. Los utensilios de cocina deben extenderse 20 mm.
Los resultados de cocción de la superficie de cocción no son los esperados.	Se están empleando utensilios de cocina inadecuados.	Consulte la sección «Utensilios para cocinar en la estufa» en la página 41.
	La perilla de control se ha fijado a un nivel de calor inadecuado.	Consulte la sección «Fijando los controles de la estufa» en la página 45.
	La estufa no está nivelada.	Nivele la estufa. Consulte la sección «Desembalaje & instalación de las patas niveladoras y el panel posterior» en la página 36.
El horno no funciona.	Los controles del horno no están fijados correctamente.	Asegúrese que el horno esté prendido y fijado en el modo correcto de cocción.
Los ventiladores de enfriamiento funcionan cuando se está horneando o asando.	No hay problema	Es normal que el ventilador se encienda automáticamente cuando el horno está en uso y por algún tiempo después para enfriar.
La temperatura del horno es muy alta o muy baja.	El horno no fue precalentado.	Permita que el horno se precaliente de manera que llegue a la temperatura adecuada cuando sus alimentos se lleven adentro.
	Las parrillas están colocadas incorrectamente.	Trate cambiando la posición de la parrilla.
	La masa no está distribuida de manera uniforme.	Verifique que la masa esté nivelada en el recipiente.
	Se ha utilizado un tiempo de cocción incorrecto.	Ajuste el tiempo de cocción.
	La puerta del horno estaba abierta durante la cocción.	Abrir el horno para mirar los alimentos libera calor del horno y puede resultar en mayor tiempo de cocción.
Los artículos horneados están muy dorados en el fondo.	La parrilla del horno está colocada muy baja.	Mueva la parrilla a una posición más alta en el horno.
Los bordes de las cortezas de los pays se están dorando muy pronto.	La temperatura está muy caliente.	Utilice papel de aluminio para cubrir el borde de las cortezas y/o reduzca la temperatura de cocción al horno.
La luz del horno no funciona.	El bombillo de luz está flojo o defectuoso.	Apriete o reemplace el bombillo.
	El interruptor de funcionamiento de la luz está roto.	Póngase en contacto con un técnico calificado.
El horno hace ruidos.	No hay problema	Ese el sonido del elemento de calentamiento encendiéndose y apagándose y es normal.
Parpadeos de la pantalla.	Corte de electricidad o sobrecarga de tensión	Reajuste el reloj. Si el horno estaba en uso, reajústelo.



GARANTÍA LIMITADA

MC Appliance Corporation garantiza que todas las Estufa Eléctrica carecen de defectos en el material y la mano de obra y acuerda solucionar cualquiera de estos defectos o instalar la(s) parte(s) nueva(s) (a elección de la compañía) en caso de que la unidad haya fallado durante el periodo de garantía. Las partes y gastos de reparación están cubiertos en esta unidad por un periodo de un año a partir de la fecha de compra. Es necesario presentar una copia del recibo o factura de compra con fecha para obtener los servicios de la garantía, el reemplazo o el reembolso.

Esta garantía cubre los aparatos que se usen dentro de los Estados Unidos contiguos, Alaska, Hawái y Puerto Rico. La garantía no cubre lo siguiente:

- Daños debido al daño del envío o a la instalación incorrecta.
- Daños debido al mal uso o abuso.
- Pérdidas de contenido debido a falla de la unidad.
- Las reparaciones se realizaron por los agentes desautorizados del servicio.
- Llamadas de servicio que no implican defectos en material y la ejecución tal como instrucción en el uso apropiado del producto o de la instalación incorrecta.
- Reemplazo o reajuste de los fusibles o de los interruptores de la casa.
- Falla de este producto si se usa con fines distintos a los que fue diseñado.
- Costes de la disposición de unidades falladas no vueltas a nuestra fábrica.
- Todos los gastos de entrega/instalación incurridos como resultado de una unidad que no cumple con lo especificado.
- Gastos de viajes y el transporte de los productos principales de servicio si su aparato está situado en una zona remota donde el servicio por un técnico de servicio no está disponible.
- La remoción y reinstalación de su gran aparato, si está instalado en un lugar inaccesible o no está instalado de conformidad con las instrucciones de instalación publicadas.
- Restituciones por productos no reparables se limita al precio pagado por la unidad por el recibo de compra.
- Esta garantía es intransferible. Esta garantía es válida exclusivamente para el comprador original y no se extiende a ningún otro propietario o propietarios subsiguientes.

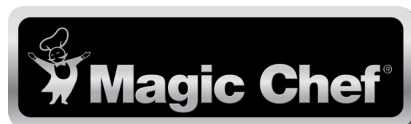
Limitaciones de remedios y exclusiones:

La reparación del producto de acuerdo con los términos de este documento, es el único y exclusivo remedio determinado en esta garantía limitada. Todas y cada una de las garantías implicadas, incluyendo la calidad de comerciable y capacidad para un propósito particular, se limitan mediante la presente a un año o el periodo más corto permitido por la ley. MC Appliance Corporation no es responsable por daños incidentales ni resultantes y ningún representante o persona alguna están autorizados para asumir de parte nuestra ninguna otra responsabilidad en relación con la venta de este producto. Bajo ninguna circunstancia se le permite al consumidor regresar esta unidad a la fábrica sin consentimiento previo por escrito de MC Appliance Corporation.

Algunos estados prohíben la exclusión o limitación por daños incidentales o resultantes, o limitaciones en las garantías implícitas. Esta garantía le otorga a usted derechos legales específicos, y usted puede también tener otros derechos que varían según la entidad federal/va donde se encuentre.

Modelo	Piezas	Trabajo	Tipo de servicio
MCSRE24S	Uno año	Uno año	Lleve adentro

Para servicio o asistencia, llame por favor al **888-775-0202**. O visítenos en www.mcappliance.com para solicitar el servicio de garantía o repuestos.



CNA International, Inc. realiza negocios bajo el nombre de MC Appliance Corporation. Derechos reservados.

El logotipo Magic Chef® es una marca registrada de CNA International, Inc.

www.mcappliance.com

Impreso en China