

Go Speak!® *Duet*



User's Guide

Model (VP3450) R-17-1

Rev. A1E



Overview

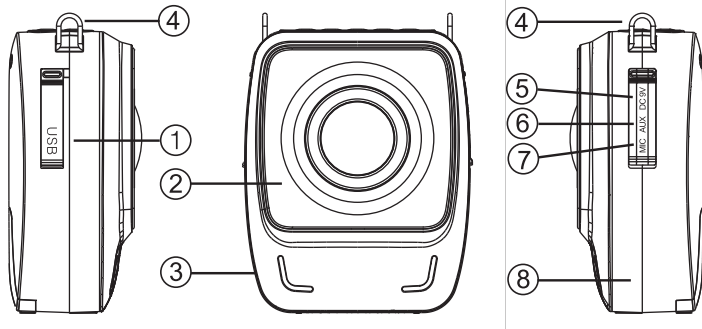
Thank you for choosing the GoSpeak! Duet Ultra-Portable Personal PA System. Weighing less than 5 pounds, GoSpeak! Duet carries in a tote-bag, sets up in seconds, and fills rooms of up to 200 people.

Before you get started, please take a few moments to review your GoSpeak! Duet package contents. If any item is missing, please contact the SMK-Link Electronics Product Support Team at pcsupport@smkusa.com.

Package Contents

- GoSpeak! Duet Speakers (2)
- Handheld Wireless Microphone
- Lavalier Microphone
- Lavalier Transmitter
- Speaker Charging AC Adapters (2)
- USB to Micro USB Charging Cables (2)
- USB/AC Plugs (2)
- 1/8" Stereo Audio Connection Cable
- Speaker Strap
- GoSpeak! Duet Tote-Bag

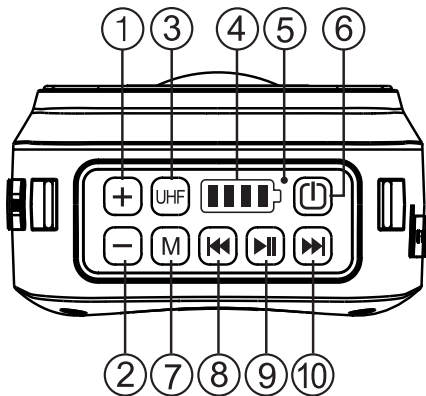
Duet Speakers (Features & Ports)



- | | |
|------------------|---------------------|
| 1. USB Port | 5. Charging Port |
| 2. Speaker | 6. Auxiliary Input |
| 3. Battery Cover | 7. Microphone Input |
| 4. Strap Hooks | 8. Soft-touch Case |

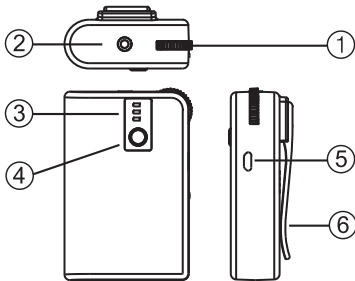
Overview (cont.)

Duet Speakers (Controls)

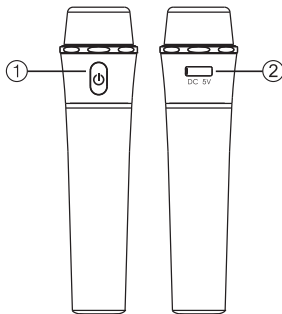


- | | |
|--------------------|------------------|
| 1. Volume Up | 6. Power On/Off |
| 2. Volume Down | 7. Manual Mode |
| 3. UHF Pairing | 8. Fast Rewind |
| 4. Battery Charge | 9. Play/Pause |
| 5. Power Indicator | 10. Fast Forward |

Lavalier Transmitter (Controls & Ports) Handheld Microphone



- 1. On/Off Volume
- 2. 1/8" Mic Jack
- 3. Battery Indicator
- 4. Pairing Button
- 5. Charging Port
- 6. Belt Clip



- 1. On/Off Pairing
- 2. Charging Port

Lavalier Microphone



QuickStart - Get Up & Running Fast

A. Handheld Microphone with Two Duet Speakers

Charge Components GoSpeak! Duet's Speakers, Handheld Wireless Microphone and Lavalier Transmitter can be operated either on battery power or while charging. Generally, however, confirm that they are fully charged before use. See 'Charging GoSpeak! Duet.'



Power Up Speakers Positioning Duet's two speakers around the room for maximum coverage, press and hold the *Power/On/Off* button on each speaker for five seconds. An audible prompt will confirm, 'Speaker On.'



Use the Handheld Microphone To activate your Handheld Wireless Microphone, simply press and briefly hold the *On/Off/Pairing* button on the handheld microphone. Your microphone should now be operational. If feedback occurs, reduce the volume level of the speakers: repositioning them to be more in front of you in the room.



B. Lavalier Microphone with Two Duet Speakers)

Charge Components GoSpeak! Duet's Speakers, Handheld Wireless Microphone and Lavalier Transmitter can be operated either on battery power or while charging. Generally, however, confirm that they are fully charged before use. See 'Charging GoSpeak! Duet.'



Power Up Speakers Positioning Duet's two speakers around the room for maximum coverage, press and hold the *Power/On/Off* button on each speaker for 5 seconds. An audible prompt will confirm, 'Speaker On.'



Use the Lavalier Microphone To activate your Lavalier Microphone, plug it into the Lavalier Transmitter, and turn on the transmitter using the rotary *On/Off/Volume* control. If feedback occurs, reduce the volume level of the speakers: repositioning them to be more in front of you in the room.



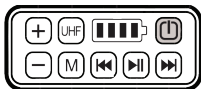
QuickStart - (cont.)

C. Both Microphones with Two Duet Speakers

Charge Components GoSpeak! Duet's Speakers, Handheld Microphone and Lavalier Transmitter can be operated either on battery power or while charging. Generally, however, confirm that they are fully charged before use. See 'Charging GoSpeak! Duet.'



Power Up Speakers Positioning Duet speakers around the room for maximum coverage, press (and hold for 5 seconds) the speaker's *Power/On/Off* button. An audible prompt will confirm, 'Speaker On.'



Activating the Microphones To activate Duet's Handheld Wireless Microphone, simply press and briefly hold the mic's *On/Off/Pairing* button. Now, plugging the Lavalier Microphone into its transmitter, turn on the transmitter using its rotary *On/Off/Volume* dial. If feedback occurs, reduce the volume level of the speakers: repositioning them to be in front of you in the room.



Playing Audio Content

In addition to its handheld and lavalier wireless microphones, GoSpeak! Duet is configured to amplify external audio from a variety of sources including cable-connected audio electronics and Bluetooth® wireless devices.

Direct Connection Powering on a Duet speaker, connect to external audio sources using the 1/8" stereo cable (*supplied*), routing one end to the 'Aux' speaker input (right side), and the other to your audio source. Activate direct connection audio by pressing and holding the *M* key on the top of the speaker.



Bluetooth® Powering on a Duet speaker, enable Bluetooth on your external audio device. Follow the device prompts from your device, selecting 'GoSpeak! Duet' to wirelessly pair the speaker. Adjust the volume using the speaker volume controls, those on your external device, or both.



Charging GoSpeak! Duet

Your GoSpeak! Duet is environmentally-friendly, with all components using 'green' rechargeable batteries. While providing for easy set up and use, it also means that GoSpeak! Duet components must be charged from time to time.

Charging Duet Speakers Charging your Duet speakers is easy. Insert the AC Adapter cable (*supplied*) into the speaker's charging port (*right side*), and plug the Adapter into an AC outlet. The *Battery Charge* indicator will show four solid bars when charging is complete (3~5 hours).

Charging the Handheld Microphone When its *On/Off/Power* button starts to flash red, it's time to charge your Handheld Wireless Microphone. Insert the Micro USB end of the charging cable (*supplied*) into the microphone's charging port, and the other to an AC/USB Plug (*supplied*). Plug the AC/USB Plug into a wall outlet to begin charging. When complete, the mic's *On/Off Power* button glows solid (3~5 hours).

Charging the Lavalier Transmitter When the Lavalier Transmitter's Battery Indicator begins to glow yellow, its battery is at 50% power. When the button starts to glow red, the transmitter will need to be charged again soon. Insert the Micro USB end of the charging cable into the transmitter charging port, and the other to an AC/USB Plug. Plug the AC/USB Plug into a wall outlet to begin charging. Charging is complete when the transmitter's Battery Indicator glows solid blue (3~5 hours).

Troubleshooting - Pairing Components

Both the Handheld Wireless Microphone and the Lavalier Transmitter are pre-paired at the factory with your GoSpeak! Duet speakers. Should these devices need to be paired again, follow the simple steps below:

Pairing the Handheld Wireless Microphone

Confirm that device batteries are charged, or pair while charging.

Press (and hold for 5 seconds) the microphone's *Power/On/Off* button.

Press and hold the *On/Off/Pairing* button on the Handheld Microphone.



Pairing the Lavalier Transmitter

Confirm that device batteries are charged, or pair while charging.

Press (and hold for 5 seconds) the speaker's *Power/On/Off* button.

Press and hold the *Pair* button on the Lavalier Transmitter.



Specifications

GoSpeak! Duet Speaker



Aspect	Specifications
Amplify Time	8~10 hours (50% volume)
Range	33-feet (10m)
Music Play Time	6~8 hours (50% volume)
Charging Time	3~5 hours
Battery Type	Lithium 2200mAh
Frequency Response	90Hz~18KHz
Signal to Noise	≥70db
Distortion	0.01
Speaker Type	Ø3.5" circle horn
Input Interface	USB/ MIC /AUX
USB Card	Support 32GB MAX
AUX Input	Ø3.5 auxiliary input
MIC Input	Ø3.5 wired input
UHF Wireless Input	Supports 2 microphones
Bluetooth Wireless Input	Bluetooth (4.0)
Color	Flat Black
Finish	Soft-touch coating
Dimensions	6.9" x 3.9" x 2.3"
Weight	1 pound

Handheld Microphone



Aspect	Specifications
Microphone Emitter (IC)	UHF TX
Maximum Power	13dBm
Coil Type	Moving-coil
Directionality	Omnidirectional
Frequency Response	30HZ-20000Hz
Sensitivity	46dB±1dB (0dB=1V/Pa)
UHF Frequency Range	600-690MHZ
Amplify time	8~10 hours (50% volume)
Charging time	3~5 hours
Working Voltage	3.7V
Battery	Lithium (3.7V 2000mAh)
Charging Interface	Micro-USB charging port
Colors	Black
Finish	Flat with UV coating
Dimensions	6.6" X 1.72"
Weight	5.4 ounces

Lavalier Transmitter



Aspect	Specifications
Microphone Type	UHF TX
Frequency Response	30Hz-20000Hz
UHF Frequency Range	600-690MHz
Maximum Radiant Power	13dBm
Battery	Lithium battery
Battery Life	8~10 hours (50% volume)
Charging Time	3~5 hours
Charging Interface	Micro-USB charging port
Colors	Black
Finish	Matte finish
Dimensions	2.2+ x 1" x 3.4"
Weight	3.3 ounces

Lavalier Microphone



Aspect	Specifications
Mic core type	Capacitive
Directionality	Unidirectional
Frequency response	30Hz - 23000Hz
Sensitivity	41dB (\pm 1dB)
Output impedance	\leq 2.2K Ω
Mic core size	\varnothing 9.7x5.2mm
Working Voltage	1.2-5V
Cable length	6.5 feet
Colors	Black
Plug size	\varnothing 3.5

Warranty

SMK-Link Electronics Corporation (SMK-Link) warrants to the original end-user purchaser of the Product (“you”) that the Product, excluding batteries, will be free from defects in materials and workmanship under normal use and service for one year from date of purchase. If the Product becomes defective in materials or workmanship during the warranty period, SMK-Link will, at its option, either repair or replace it. The replacement unit may be a more current or upgraded model if the originally purchased model is not available. Any Product repaired or replaced under the terms of the warranty is covered for the remainder of the original warranty period or ninety (90) days from the date of return shipment, whichever is longer.

This warranty does not cover Products which have been subjected to misuse, accident, physical damage, improper installation, abnormal operation or handling, neglect, inundation or fire or when Product regulatory label has been removed, altered or rendered illegible; nor does it cover accessory or consumable items.

SMK-Link shall not be liable for any indirect special, incidental, or consequential damages. SMK-Link’s total liability for damages for any cause related to, or arising out of, the use or inability to use the Product shall not exceed the original price paid for the Product even if SMK-Link has been informed of such possibility.

If your Product requires service under warranty, you must first contact SMK-Link product support to receive an RMA number. Shipping of defective units back to SMK-Link is at your expense. The contact information can be found on the SMK-Link website: www.smklink.com.

The warranty does not affect your statutory rights and you may have other rights which vary from state to state and country to country. This warranty is understood to be the complete and exclusive agreement between the parties, superseding all prior agreements, oral or written, and all other communications between the parties relating to the matter of this warranty.

The above warranty does not apply to Products sold in Australia. Products sold in Australia by an authorized reseller will contain an Australia specific warranty statement.

FCC Statement

This device complies with Part 15 of the FCC Rules. Operation is subject to the following two conditions: (1) This device may not cause harmful interference, and (2) this device must accept any interference received, including interference that may cause undesired operation.

This equipment has been tested and found to comply with the limits for a class B digital device, pursuant to part 15 of the FCC Rules. These limits are designed to provide reasonable protection against harmful interference in a residential installation. This equipment generates, uses and can radiate radio frequency energy and if not installed and used in accordance with the instructions, may cause harmful interference to radio communications. However, there is no guarantee that interference will not occur in a particular installation. If this equipment does cause harmful interference to radio or television reception, which can be determined by turning the equipment off and on, the user is encouraged to try to correct the interference by one or more of the following measures:

- Reorient or relocate the receiving antenna.

- Increase the separation between the equipment and receiver.

- Connect the equipment into an outlet on a circuit different from that to which the receiver is connected.

- Consult the dealer or an experienced radio/TV technician for help.

In order to maintain compliance with FCC regulations, shielded cables must be used with this equipment. Operation with non-approved equipment or unshielded cables is likely to result in interference to radio and TV reception. The user is cautioned that changes and modifications made to the equipment without the approval of manufacturer could void the user's authority to operate this equipment.

CE Declaration of Conformity

This equipment has been tested and found to comply with the limits of the European Council Directive 2014/53/EU. A complete Declaration of Conformity can be found at www.SMK-Link.com.



Thank You

Congratulations on your purchase of GoSpeak! Duet. We thank you for choosing SMK-Link to meet your wireless needs and look forward to serving you again in the future. To learn about new SMK-Link products, and to ensure the best possible customer support, please register your product at www.smklink.com/register.

Product Support

SMK-Link Electronics Corporation

3601-B Calle Tecate, Camarillo, CA 93012

TEL: (888) 340-0033 | (805) 987-6662 | FAX: (805) 987-6665

Email: pcsupport@smkusa.com

www.smklink.com

© 2017 SMK-Link Electronics Inc. SMK-Link, the SMK-Link logo and GoSpeak! are registered trademarks of SMK-Link Electronics, Inc. Bluetooth and the Bluetooth Logo are registered trademarks of Bluetooth SIG, Inc. All other registrations and trademarks are properties of their respective owners.