



Quick Start Guide

2-Port USB DisplayPort Cable KVM Switch

GCS52DP
PART NO. Q1485

Package Contents

1

- 1 x GCS52DP
- 1 x Quick Start Guide
- 1 x Warranty Card

System Requirements

Console:

- DisplayPort monitor
- Standard wired USB keyboard
- Standard 3-button wired USB mouse
- Speakers and Microphones (optional)

Computer:

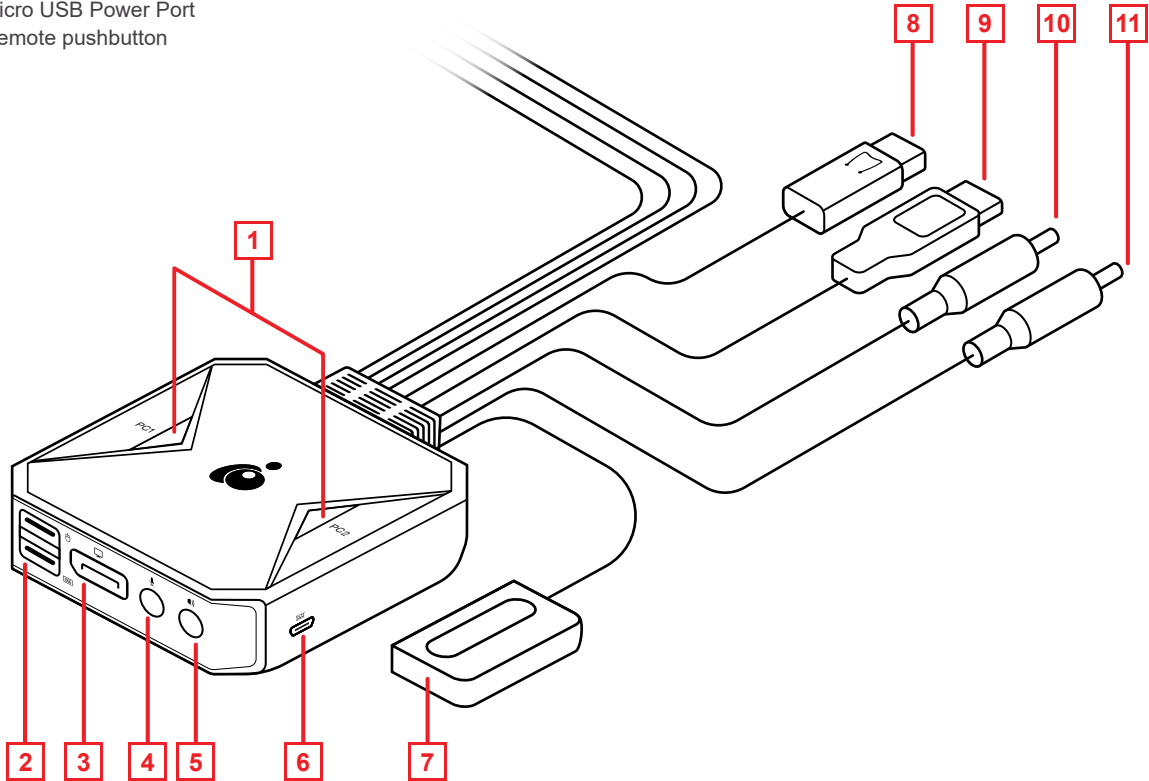
- DisplayPort port
- USB Type-A port
- Audio ports (optional)

Operating Systems:

- Windows® 2000, Vista, 7, 8.1, 10
- Mac OS X 9.0+
- Oracle® Solaris
- Linux®, UNIX, and other USB supported systems

1. Port LEDs
2. USB port for keyboard and mouse
3. DisplayPort for monitor
4. 3.5 mm audio input
5. 3.5mm audio output
6. Micro USB Power Port
7. Remote pushbutton

8. KVM Cables - DisplayPort
9. KVM Cables - USB
10. KVM Cables - Speakers
11. KVM Cables - Microphone

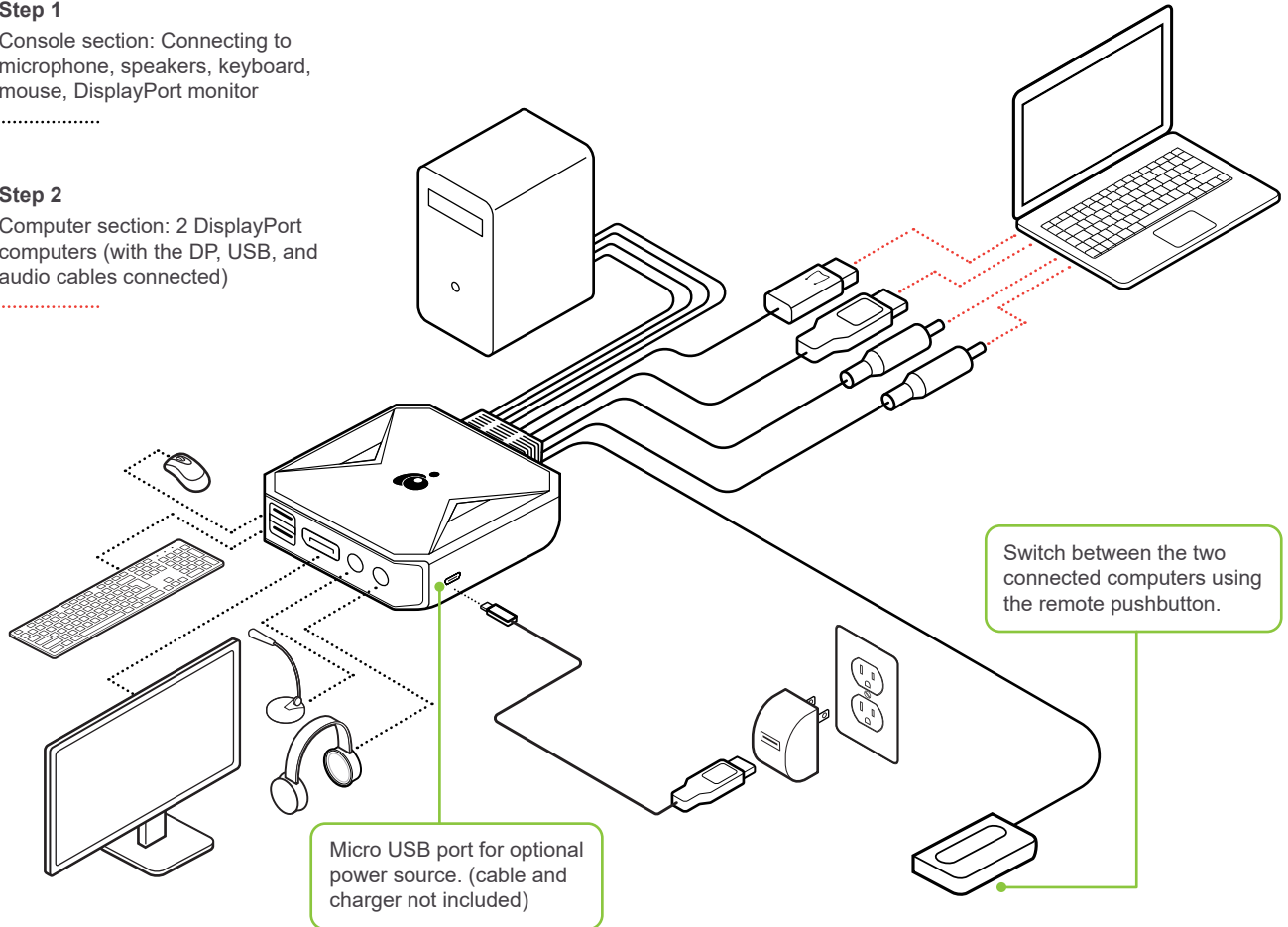


Step 1

Console section: Connecting to microphone, speakers, keyboard, mouse, DisplayPort monitor
.....

Step 2

Computer section: 2 DisplayPort computers (with the DP, USB, and audio cables connected)
.....



Micro USB port for optional power source. (cable and charger not included)

Switch between the two connected computers using the remote pushbutton.

EMC Information

Federal Communications Commission Statement (FCC) Statement:

This equipment has been tested and found to comply with the limits for a Class B digital service, pursuant to Part 15 of the FCC rules. These limits are designed to provide reasonable protection against harmful interference in a residential installation. Any changes or modifications made to this equipment may void the user's authority to operate this equipment. This equipment generates, uses, and can radiate radio frequency energy. If not installed and used in accordance with the instructions, may cause harmful interference to radio communications. However, there is no guarantee that interference will not occur in a particular installation. If this equipment does cause harmful interference to radio or television reception, which can be determined by turning the equipment off and on, the user is encouraged to try to correct the interference by one or more of the following measures:

- Reorient or relocate the receiving antenna.
- Increase the separation between the equipment and receiver.
- Connect the equipment into an outlet on a circuit different from that to which the receiver is connected.
- Consult the dealer or an experienced radio/TV technician for help.

FCC Caution:

Any changes or modifications not expressly approved by the party responsible for compliance could void the user's authority to operate this equipment.

Limited Warranty

This product carries a 3 Year Limited or Lifetime Warranty. For the terms and conditions of this warranty, please go to <http://www.iogear.com/support/warranty>

Register online at <http://www.iogear.com/register>

Important Product Information

Product Model _____

Serial Number _____

Contact

WE'RE HERE TO HELP YOU!
NEED ASSISTANCE SETTING UP THIS PRODUCT?

Make sure you:

1. Visit www.iogear.com for more product information
2. Visit www.iogear.com/support for live help and product support

IOGEAR

iogear.custhelp.com

support@iogear.com

www.iogear.com