

## 9U Wall-Mount Rack Enclosure



*Actual product may vary from photos*

### User Manual

SKU#: RK9WALM

For the latest information and specifications visit  
[www.startech.com/RK9WALM](http://www.startech.com/RK9WALM)

Manual Revision: 04/25/2022

# Compliance Statements

## For the State of California

**⚠ WARNING: Cancer and Reproductive Harm**  
[www.P65Warnings.ca.gov](http://www.P65Warnings.ca.gov)

## Use of Trademarks, Registered Trademarks, and other Protected Names and Symbols

This manual may make reference to trademarks, registered trademarks, and other protected names and/or symbols of third-party companies not related in any way to StarTech.com. Where they occur these references are for illustrative purposes only and do not represent an endorsement of a product or service by StarTech.com, or an endorsement of the product(s) to which this manual applies by the third-party company in question. Regardless of any direct acknowledgement elsewhere in the body of this document, StarTech.com hereby acknowledges that all trademarks, registered trademarks, service marks, and other protected names and/or symbols contained in this manual and related documents are the property of their respective holders.

PHILLIPS® is a registered trademark of Phillips Screw Company in the United States or other countries.

## Safety Measures

- Wiring terminations should not be made with the product and/or electric lines under power.
- Product installation and/or mounting should be completed by a certified professional as per the local safety and building code guidelines.
- Cables (including power and charging cables) should be placed and routed to avoid creating electric, tripping or safety hazards.

## Mesures de sécurité

- Les terminaisons de câblage ne doivent pas être effectuées lorsque le produit et/ou les câbles électriques sont sous tension.
- L'installation et/ou le montage du produit doit être réalisé par un professionnel certifié et dans le respect des normes locales et du code de construction local.
- Les câbles (y compris les câbles d'alimentation et de chargement) doivent être placés et acheminés de façon à éviter tout risque électrique, de chute ou de sécurité

## 安全対策

- 電源が入っている状態の製品または電線の終端処理を行わないでください

- い。
- 製品の設置やマウントは、使用地域の安全ガイドラインおよび建築基準に従い、有資格の専門業者が行うようにしてください。
- ケーブル(電源ケーブルと充電ケーブルを含む)は、適切な配置と引き回しを行い、電気障害やつまづきの危険性など、安全上のリスクを回避するようにしてください。

## Misure di sicurezza

- I terminali dei fili elettrici non devono essere realizzate con il prodotto e/o le linee elettriche sotto tensione.
- L'installazione e/o il montaggio dei prodotti devono essere eseguiti da un tecnico professionale certificato che conosca le linee guida locali sulle norme edilizie e sulla sicurezza.
- I cavi (inclusi i cavi di alimentazione e di ricarica) devono essere posizionati e stesi in modo da evitare pericoli di inciampo, rischi di scosse elettriche o pericoli per la sicurezza.

## Säkerhetsåtgärder

- Montering av kabelavslutningar får inte göras när produkten och/eller elledningarna är strömförda.
- Installation och/eller montering får endast göras av behöriga yrkespersoner och enligt gällande lokala förordningar för säkerhet och byggnormer.
- Kablar (inklusive elkablar och laddningskablar) ska dras och placeras på så sätt att risk för snubblingsolyckor och andra olyckor kan undvikas.

## Warning Statements

- Make sure that you assemble this product according to the instructions.
- Do not exceed the weight capacity of this product. Overloading this product might result in injury or property damage. This product can support the following weight: 800 lb. (363 kg).
- This product is intended for indoor use only and should not be used outdoors.
- This enclosure is extremely heavy. Never attempt to move or lift this enclosure without assistance.
- Tipping hazard! Extending multiple components from this enclosure increases the chance that the enclosure will tip over. To avoid this risk, do not extend more than one component from the enclosure.
- Do not place any items on this enclosure and do not stack the enclosure on top of another enclosure.
- Keep liquid away from this enclosure.
- Make sure that you install the enclosure in an area that can handle the combined weight of the enclosure and the equipment that you intend to place inside of the enclosure.
- This product requires an earth ground connection. Do not use this product without an earth ground connection.

## Varningsmeddelanden

- Se till att du monterar produkten i enlighet med instruktionerna.
- Överskrid inte produktens viktkapacitet. Överbelastning av produkten kan orsaka skada på person eller egendom. Denna produkt har stöd för följande vikter: 363 kg.
- Produkten är endast avsedd för användning inomhus och ska inte användas utomhus.
- Detta skåp är extremt tungt. Försök aldrig flytta på skåpet eller lyfta det utan hjälp.
- Risk för vältnings! Att förlänga flera komponenter från detta skåp ökar risken för att det välter. Förläng inte fler än en komponent från skåpet för att undvika risk.
- Placera inte saker ovanpå skåpet och ställ inte skåpet ovanpå ett annat skåp.
- Håll vätskor borta från skåpet.
- Se till att du installerar skåpet på en plats som kan hantera den kombinerade vikten av skåpet och utrustningen som du tänker placera inuti.
- Produkten behöver en jordad anslutning. Använd inte produkten utan en jordad anslutning.

## Avertissements

- Assemblez ce produit conformément aux instructions.
- Ne dépassez pas la capacité pondérale du produit. Une surcharge du produit peut entraîner des blessures ou des dommages matériels. Ce produit peut supporter 363 kg.
- Ce produit est uniquement destiné à une utilisation en intérieur et ne doit pas être utilisé à l'extérieur.
- Ce rack de serveur est extrêmement lourd. Ne tentez jamais de le déplacer ou de le soulever sans aide.
- Risque de basculement ! L'extension de plusieurs composants à partir du rack de serveur augmente le risque de basculement. Pour éviter ce risque, n'étendez pas plus d'un composant à partir du rack de serveur.
- Ne placez aucun objet sur ce rack de serveur et n'empilez pas le rack sur un autre rack.
- N'approchez aucun liquide du rack de serveur.
- Veillez à installer le rack de serveur dans un endroit pouvant supporter le poids combiné du rack et des équipements que vous comptez placer à l'intérieur.
- Ce produit nécessite un raccordement à la terre. N'utilisez pas ce produit sans raccordement à la terre.

## Warnhinweise

- Beachten Sie bei der Montage dieses Produkts die Montageanweisungen.
- Überschreiten Sie nicht die Tragkraft dieses Produkts. Ein Überladen dieses Produkts kann zu Verletzungen oder zur Beschädigung des Produkts führen. Dieses Produkt ist für folgendes Gewicht geeignet: 363 kg.
- Dieses Produkt ist nur zum Gebrauch in Innenräumen vorgesehen und sollte nicht im Freien verwendet werden.
- Dieses Gehäuse ist extrem schwer. Versuchen Sie niemals, dieses Gehäuse ohne Hilfe zu bewegen oder anzuheben.
- Kippgefahr! Das Ausziehen mehrerer Komponenten aus diesem Gehäuse erhöht die Chance, dass das Gehäuse umkippt. Um dies zu vermeiden, ziehen Sie niemals mehr als eine Komponente aus diesem Gehäuse aus.
- Platzieren Sie keine Gegenstände auf dem Gehäuse und stapeln Sie das Gehäuse nicht auf einem anderen Gehäuse.
- Halten Sie Flüssigkeiten von diesem Gehäuse fern.
- Vergewissern Sie sich, dass der Untergrund, auf dem das Gehäuse aufgestellt wird, in der Lage ist, das Gesamtgewicht des Gehäuses und der Geräte, die Sie darin platzieren möchten, zu tragen.

- Dieses Produkt erfordert einen Schutzleiteranschluss. Verwenden Sie das Produkt nicht ohne einen Schutzleiteranschluss.

## **Dichiarazioni di avvertenza**

- Assicurarsi di Assemblare il prodotto secondo le istruzioni.
- Non superare la capacità di carico del prodotto. Il sovraccarico del prodotto potrebbe causare danni o lesioni. Il prodotto è in grado di supportare i seguenti pesi: 363 kg.
- Il prodotto è destinato all'uso in ambienti interni. Se ne sconsiglia l'impiego in ambienti esterni.
- Il box esterno è molto pesante. Non tentare di spostarlo o sollevarlo senza assistenza.
- Pericolo di ribaltamento! L'estensione di più componenti dal box esterno aumenta il rischio di ribaltamento del box esterno. Per evitare questo rischio, non estendere più di un componente dal box esterno.
- Non collocare oggetti sul box esterno e non impilare un box esterno sopra un altro.
- Tenere il box esterno lontano dai liquidi.
- Assicurarsi di installarlo in un punto che possa sorreggere il peso combinato del box esterno e dell'apparecchiatura che si intende collocare al suo interno.
- Il prodotto richiede una messa a terra. Non utilizzare il prodotto in assenza di una messa a terra.

## **Mensagens de aviso**

- Certifique-se de que monta este produto de acordo com as instruções.
- Não exceda a capacidade de peso deste produto. Sobrecarregar este produto pode resultar em ferimentos ou danos de propriedade. Este produto pode suportar o seguinte peso: 363 kg.
- Este produto destina-se apenas a uma utilização no interior e não deve ser utilizado no exterior.
- Esta caixa é extremamente resistente. Nunca tente mover ou levantar esta caixa sem assistência.
- Perigo de queda! Estender vários componentes desta caixa aumenta a probabilidade desta caixa cair. Para evitar este risco, não expandir mais de um componente desta caixa.
- Não colocar nenhum artigo nesta caixa e não empilhar a caixa em cima de outra caixa.
- Manter líquidos afastados desta caixa.
- Certifique-se de que instala a caixa numa área que pode suportar o peso combinado da caixa e o equipamento que pretende colocar dentro da caixa.

- Este produto requer uma ligação à terra. Não utilize este produto sem uma ligação à terra.

## Advertencias de uso

- Asegúrese de ensamblar este producto según las instrucciones.
- Asegúrese de no exceder la capacidad de peso de este producto. La sobrecarga de este producto puede causar lesiones personales o daños en la propiedad. Este producto tiene capacidad para el siguiente peso: 363 kg.
- El uso de este producto es solo para interiores y no debe utilizarse en exteriores.
- La caja es extremadamente pesada. Nunca intente mover o alzar esta caja sin la debida asistencia de otra persona.
- ¡Peligro de vuelco! Añadir a esta caja varios componentes aumenta las posibilidades de peligro de vuelco de la caja. Para evitar dicho riesgo, no añada más que un solo componente.
- No coloque ningún elemento encima de la caja y no apile la caja encima de otra caja.
- Mantenga cualquier líquido lejos de la caja.
- Asegúrese de instalar la caja en un área que tenga capacidad para soportar el peso combinado de la caja y el equipo que va a instalar dentro de la misma.
- Este producto requiere conexión a tierra. No utilice este producto sin conexión a tierra.

## Waarschuwingen

- Zorg dat u dit product volgens de instructies in elkaar zet.
- Overschrijd de maximale capaciteit van dit product niet. Overbelasting van dit product kan letsel of materiële schade veroorzaken. Dit product ondersteunt het volgende gewicht: 363 kg.
- Dit product is alleen bedoeld voor binnengebruik en mag niet buiten worden gebruikt.
- Deze behuizing is enorm zwaar. Probeer nooit deze behuizing te verplaatsen of op te tillen zonder hulp.
- Kantelgevaar! Wanneer meerdere componenten uit deze behuizing steken, bestaat de kans dat deze zal kantelen. Om dit risico te voorkomen, mag niet meer dan één component uit de behuizing steken.
- Plaats geen voorwerpen op deze behuizing en stapel de behuizing niet op een andere behuizing.
- Houd vloeistof uit de buurt van deze behuizing.
- Zorg dat u de behuizing installeert op een plaats die geschikt is voor het gecombineerde gewicht van de behuizing en de apparatuur die u in de behuizing wilt plaatsen.

- Dit product vereist een gearde verbinding. Gebruik dit product niet zonder een gearde verbinding.

## 注意

必ず取扱説明書に従って本製品の組み立てを行って下さい。

本製品で定められた最大積載重量を超えないようにして下さい。最大積載重量をオーバーした場合、怪我をする恐れや器物破損の恐れがあります。本製品は、モニター1台あたり363kgまで支持できます。

本製品は、室内での使用を想定しています。戸外では使用しないで下さい。

本製品は、非常に重いエンクローージャです。絶対に一人で持ち上げたり動かしたりしないで下さい。

転倒注意!本製品から複数のコンポーネントが突き出した状態にしておくとエンクローージャが転倒する恐れがあります。転倒リスクを回避するために、エンクローージャからはコンポーネントが突き出ないようにして下さい。

本製品の上にも何も載せないで下さい。複数のエンクローージャを重ねて設置しないで下さい。

液体物をエンクローージャに近づけないようにして下さい。

エンクローージャ自身と中に積載する装置の総重量に耐えられるエリアに設置して下さい。

この製品にはアースが必要です。アース接続をしていない状態で本製品を使用しないでください。

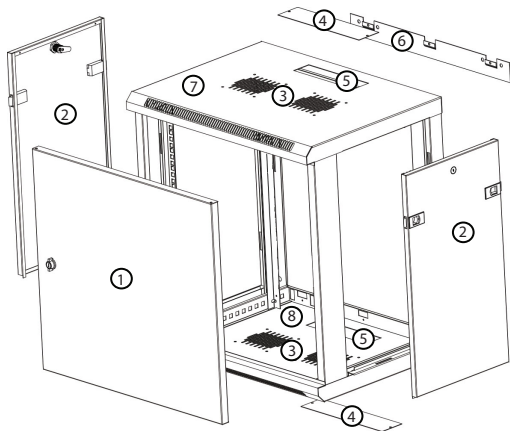


# Table of Contents

<b>Compliance Statements .....</b>	<b>1</b>
<b>Warning Statements .....</b>	<b>3</b>
<b>Product Diagram .....</b>	<b>9</b>
<b>Product Information .....</b>	<b>10</b>
Package Contents .....	10
Requirements .....	10
<b>Grounding the Enclosure .....</b>	<b>10</b>
<b>Lock or Unlock the Front Door .....</b>	<b>12</b>
<b>Remove the Side Panels .....</b>	<b>12</b>
Replacing Side Panels.....	13
<b>Access your cables .....</b>	<b>14</b>
Replacing the Cable Access Door.....	15
<b>Reverse the front door .....</b>	<b>16</b>
<b>Adjust the Depth of the Mounting Rails.....</b>	<b>17</b>
<b>Use the Mounting Rail Tapped Holes .....</b>	<b>18</b>
<b>Mounting the Enclosure to the Wall.....</b>	<b>20</b>
<b>Installing Equipment .....</b>	<b>22</b>

## Product Diagram

Actual product may vary from photos



Number	Description	Number	Description
1	Front Door	5	Cable Access Opening
2	Side Panel	6	Mounting Plate
3	Vents	7	Top Panel
4	Cable Access Cover	8	Bottom Panel Cover

## Product Information

### Package Contents

- Wall-Mount Enclosure x 1
- 1U Shelf x 1
- Roll of Hook-and-Loop Fastener x 1
- 12-24 Cage Nuts x 36
- 12-24 Screws x 36
- Door Keys x 2
- Side Panel Keys x 2
- Pre-installed M4x8 mm screws x 3
- Instruction Manual x 1

### Requirements

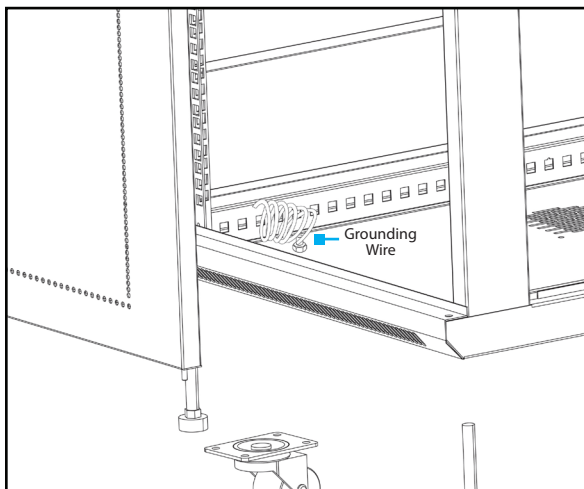
Requirements are subject to change. For the latest requirements, please visit [www.StarTech.com/RK9WALM](http://www.StarTech.com/RK9WALM).

- Phillips™ type screwdriver
- Appropriate tools and mounting hardware for the type of wall you're using

## Grounding the Enclosure

**Note:** *This product must be grounded. Do not use this product without an earth ground connection.*

1. Use an M6 screw to attach a grounding wire to the front or rear grounding point on the enclosure.
2. Route the wire under the frame of the enclosure and connect the wire to your facility's earth ground connection.



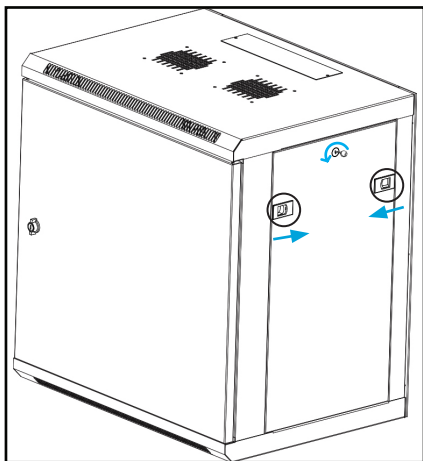
**Grounding Wire**

## Lock or Unlock the Front Door

- To lock or unlock the front door of the enclosure, insert one of the provided door keys in the lock on the door and turn the key clockwise or counterclockwise.

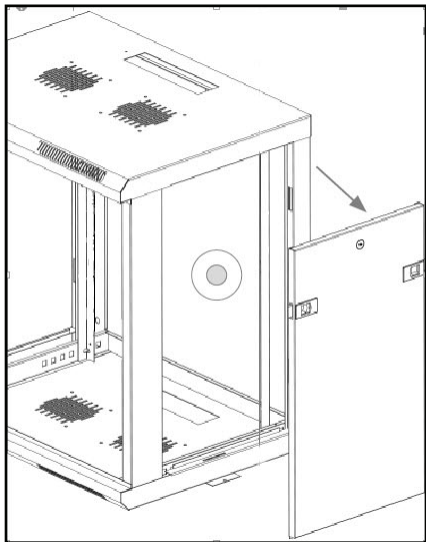
## Remove the Side Panels

1. If the side panels are locked, use the provided side panel keys to unlock the panels.
2. Pull the two tabs on the side panel towards the center of the panel.



*Removing Side Panel*

3. Lift the side panel free from the enclosure.
4. Repeat steps 1 to 3 to remove the other side panel.



*Lift Side Panel*

## Replacing Side Panels

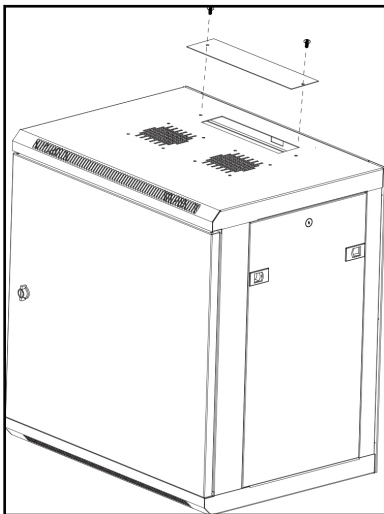
1. Place one of the side panels in the groove at the bottom of the enclosure.
2. Pull the two tabs on the side panel towards the center of the panel

3. Push the top part of the side panel into the enclosure, and release the tabs.
4. Use one of the provided side panel keys to lock the side panel.

## Access your cables

Both the top and bottom panels of the enclosure have cable access covers that you can remove to access and manage your cables.

1. To take off a cable access cover, use a Phillips type screwdriver to remove the two screws on both ends of the cable access cover.
2. Pull the cable access cover away from the enclosure.



*Opening the Cable Cover*

## Replacing the Cable Access Door

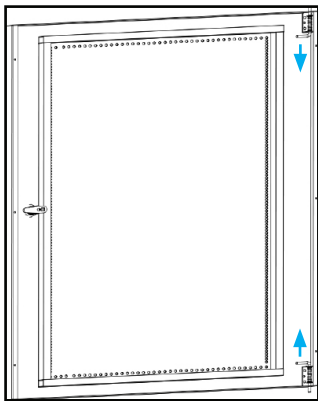
- Place the cover over the cable access opening and use a Phillips type screwdriver to insert the screws through the cover and into the enclosure. Tighten the screws.



## Reverse the front door

To accommodate different rack configurations, you can reverse the front door of the enclosure so that it opens to the left or right of the enclosure. The front door of the enclosure is attached to the enclosure with levers that are located at the top and bottom of the front door.

1. In the top corner of the inside of the front door, pull the lever down and move the top corner of the front door away from the enclosure.
2. In the bottom corner of the inside of the front door, pull the lever up and remove the front door from the enclosure.



*Removing the Front Door*

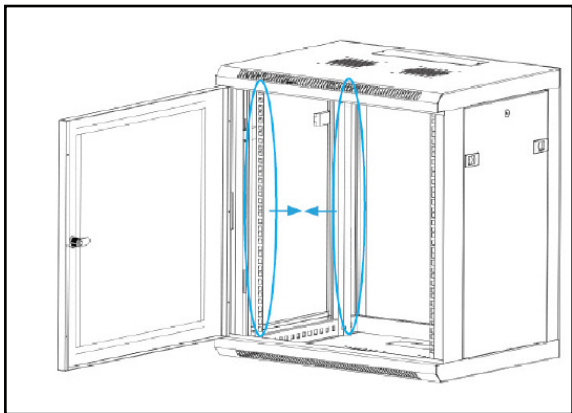
3. Flip the front door so that the levers are located on the opposite side.
4. Position the front door so that the top and bottom levers are aligned with the washers located in the hinge area of the enclosure.
5. In the top corner of the front door, pull the lever down and release it into the washer and hole in the enclosure.
6. In the bottom corner of the front door, pull the lever up and release it into the washer and hole in the enclosure.

## Adjust the Depth of the Mounting Rails

The mounting rails come pre-installed in the enclosure. The mounting rails can be adjusted independently in 3/4 inch (20 mm) increments to accommodate different sizes of equipment.

**Note:** *Do not attempt to adjust the mounting rails when equipment is installed in the enclosure. Remove the equipment first before you adjust the mounting rails.*

1. Each of the mounting rails is connected to the enclosure with a screw and cage nut in the upper and lower corners of the mounting rail. Use a Phillips type screwdriver to remove the screws and cage nuts from the mounting rails.
2. Install the cage nuts at the desired depth.
3. Slide the mounting rail to the depth of the cage nuts and use a Phillips type screwdriver to install and tighten the screws that you removed in step 1.



*Slide the Mounting Rail*

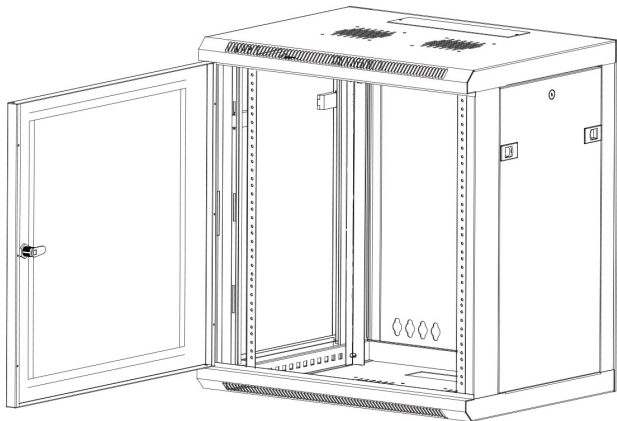
## Use the Mounting Rail Tapped Holes

The mounting rails come pre-installed in the enclosure but you can adjust the mounting rails so that you can use the tapped holes to install your equipment.

**Note:** Do not attempt to adjust the mounting rails when equipment is installed in the enclosure. Remove the equipment first before you adjust the mounting rails.

1. Each of the mounting rails is connected to the enclosure with a screw and cage nut in the upper and lower corners of the mounting rail. Use a Phillips type screwdriver to remove the screws and cage nuts from the mounting rails.

2. Change the location of the mounting rails so that the sides of the rails with the tapped holes are facing the front door.
3. To reattach the mounting rails to the enclosure, use a Phillips type screwdriver to install and tighten the screws that you removed in step 1.



*Using the Tapped Holes*

## Mounting the Enclosure to the Wall

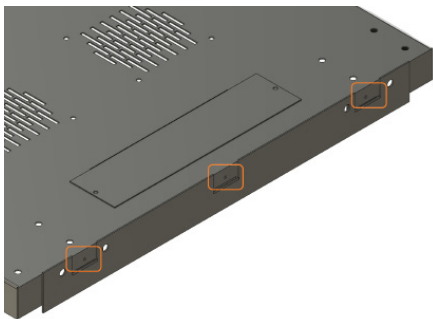
**Notes:** Remove all equipment from the enclosure before you attempt to mount the enclosure to the wall.

Wall structures vary and it is important to make sure that the type of wall structure and mounting hardware that you are using will properly support the mounted equipment. Failure to do so might result in personal injury and/or equipment damage. The wall structure should be capable of supporting at least four times the weight of the mounted equipment.

The RK9WALM weighs 17.5 kg (38.5 lb.) and can hold up to 90 kg (198 lb.) in weight.

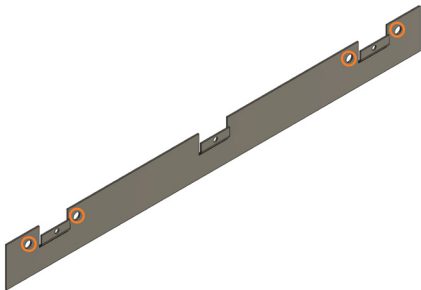
**Note:** If you lack the necessary expertise to attach this product to the wall that you're using, contact a construction professional to install the enclosure or to provide specific mounting instructions for your wall structure.

1. Detach the mounting plate at the back of the enclosure by removing the three pre-installed screws with a Phillips head screwdriver. These screws will be used on a later step.

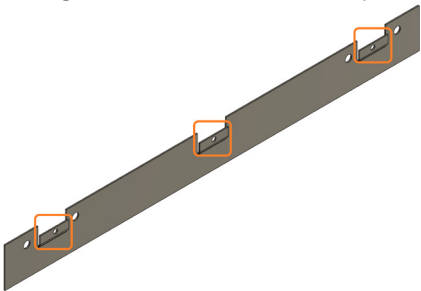


**Caution!** The enclosure is extremely heavy and you should not attempt to lift and hang the enclosure without the assistance of other people. Follow the recommended steps from a construction professional on the appropriate hardware to use to install the enclosure to the wall type.

2. Fasten the mounting plate to the wall using the appropriate hardware and the four mounting holes.



3. Attach the enclosure to the mounting plate by hanging the enclosure onto the three mounting plate hooks. Fasten the enclosure using the three screws from Step 1.



## Installing Equipment

**Notes:** Do not add equipment to the enclosure until the enclosure is securely attached to the wall.

*When you load equipment into this product, load the heaviest equipment in the bottom rails first. Continue loading equipment in a descending order of weight, so that the lighter equipment is installed in the upper sections of the enclosure and the heavier items are on the bottom.*

This enclosure comes with cage nuts and screws but the equipment you're installing may come with mounting hardware. Consult the documentation that came with the equipment to determine the best mounting hardware that you should use and how you should install it.

1. Decide where in the enclosure you want to install the equipment and insert the cage nuts in the mounting rails.
2. Line up the mounting holes on the equipment with the cage nuts.
3. Insert the screws through the mounting holes on the equipment and into the cage nuts.

## Technical Support

StarTech.com's lifetime technical support is an integral part of our commitment to provide industry-leading solutions. If you ever need help with your product, visit [www.startech.com/support](http://www.startech.com/support) and access our comprehensive selection of online tools, documentation, and downloads.

For the latest drivers/software, please visit [www.startech.com/downloads](http://www.startech.com/downloads)

## Warranty Information

This product is backed by a two-year warranty.

StarTech.com warrants its products against defects in materials and workmanship for the periods noted, following the initial date of purchase.

During this period, the products may be returned for repair, or replacement with equivalent products at our discretion. The warranty covers parts and labor costs only.

StarTech.com does not warrant its products from defects or damages arising from misuse, abuse, alteration, or normal wear and tear.

## Limitation of Liability

In no event shall the liability of StarTech.com Ltd. and StarTech.com USA LLP (or their officers, directors, employees or agents) for any damages (whether direct or indirect, special, punitive, incidental, consequential, or otherwise), loss of profits, loss of business, or any pecuniary loss, arising out of or related to the use of the product exceed the actual price paid for the product.

Some states do not allow the exclusion or limitation of incidental or consequential damages. If such laws apply, the limitations or exclusions contained in this statement may not apply to you.



## **Hard-to-find made easy. At StarTech.com, that isn't a slogan. It's a promise.**

StarTech.com is your one-stop source for every connectivity part you need. From the latest technology to legacy products — and all the parts that bridge the old and new — we can help you find the parts that connect your solutions.

We make it easy to locate the parts, and we quickly deliver them wherever they need to go. Just talk to one of our tech advisors or visit our website. You'll be connected to the products you need in no time.

Visit [www.startech.com](http://www.startech.com) for complete information on all StarTech.com products and to access exclusive resources and time-saving tools.

StarTech.com is an ISO 9001 Registered manufacturer of connectivity and technology parts. StarTech.com was founded in 1985 and has operations in the United States, Canada, the United Kingdom and Taiwan servicing a worldwide market.

## **Reviews**

Share your experiences using StarTech.com products, including product applications and setup, what you love about the products, and areas for improvement.

### **StarTech.com Ltd.**

45 Artisans  
Crescent  
London, Ontario  
N5V 5E9  
Canada

### **StarTech.com LLP**

4490 South  
Hamilton Road  
Groveport, Ohio  
43125  
U.S.A.

### **StarTech.com Ltd.**

Unit B, Pinnacle 15  
Gowerton Road  
Brackmills,  
Northampton  
NN4 7BW  
United Kingdom

### **StarTech.com Ltd.**

Siriusdreef 17-27  
2132 WT  
Hoofddorp  
The Netherlands

FR: [fr.startech.com](http://fr.startech.com)  
DE: [de.startech.com](http://de.startech.com)

ES: [es.startech.com](http://es.startech.com)  
NL: [nl.startech.com](http://nl.startech.com)

IT: [it.startech.com](http://it.startech.com)  
JP: [jp.startech.com](http://jp.startech.com)