

# Installation Guide

## LCD Monitor / Printer Riser

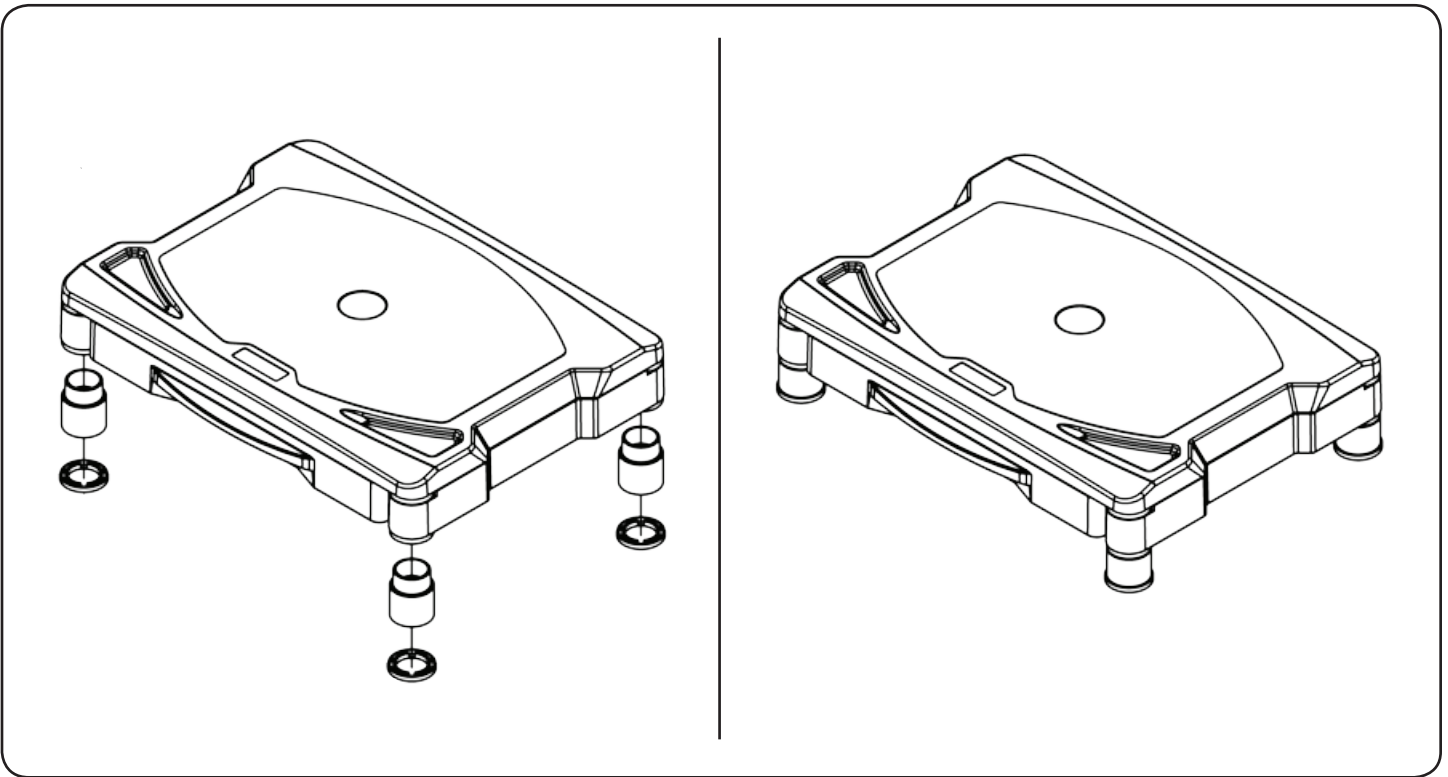
Model: MR1612D1



Riser (x8)



Rubber Ring (x4)



### PROTECT YOUR INVESTMENT!

Register your product for quicker service and ultimate peace of mind.

You could also win an ISOBAR6ULTRA surge protector—a \$100 value!

[www.tripplite.com/warranty](http://www.tripplite.com/warranty)



1111 W. 35th Street, Chicago, IL 60609 USA • [www.tripplite.com/support](http://www.tripplite.com/support)

Copyright © 2016 Tripp Lite. All rights reserved.