

Caster Kit

CRA60002

Parts List

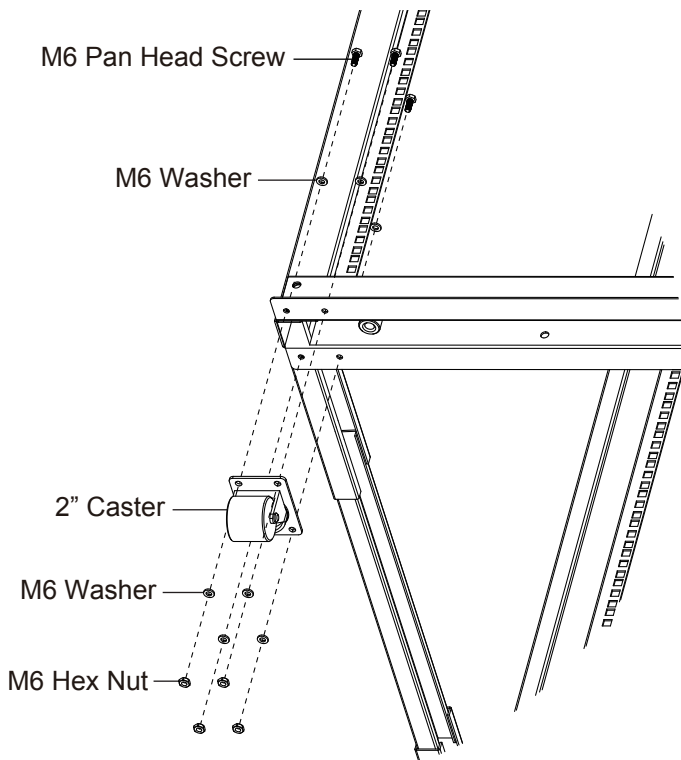
Part	Qty
2" Caster	4
M6 Pan Head Screw	16
M6 Hex Nut	16
M6 Washer	32

Installation

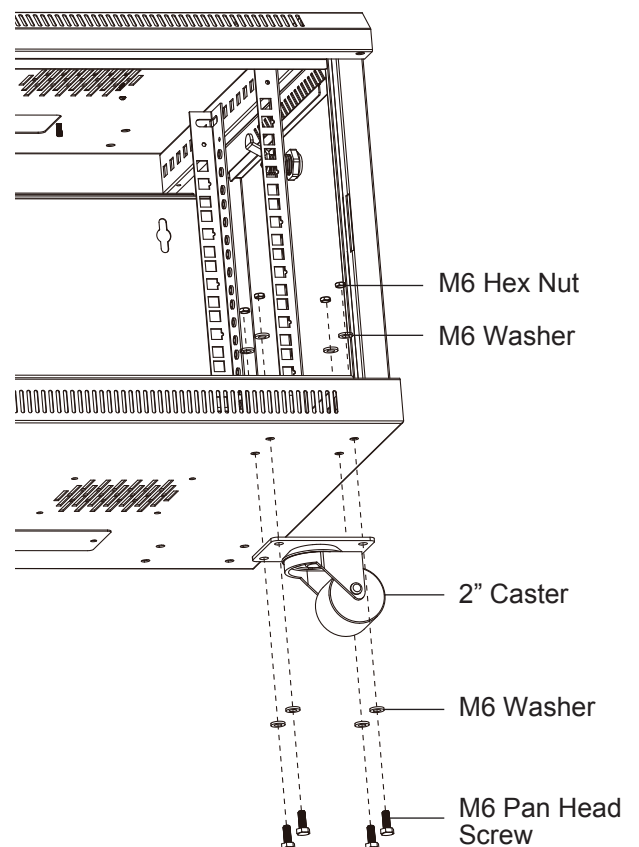


Install the casters before installing equipment into the rack enclosure. For safety reasons, it is highly recommended to complete the caster installation between two or more people.

4-Post Open Frame Rack



Wall Mount Enclosure



For warranty and additional information, please visit: www.cyberpower.com.