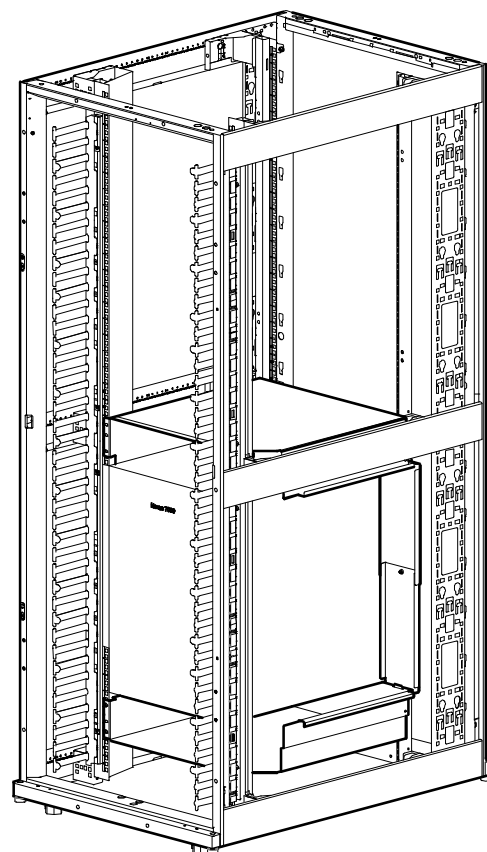


3U Duct Kit Installation

AR7725



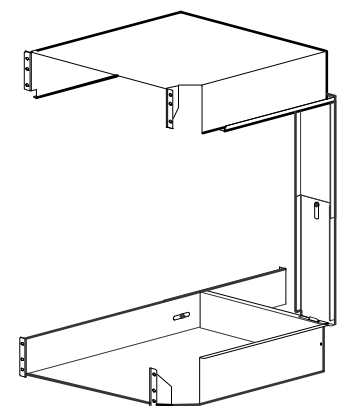
Unpacking

Open the carton and remove all parts.

Inventory

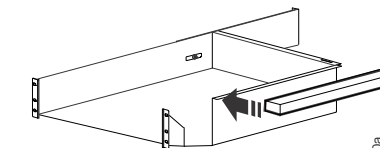
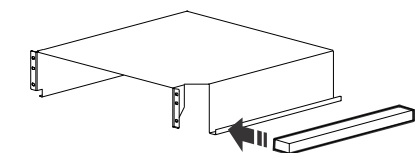
Quantity	Description
1	Upper duct
1	Lower duct
1	Rear baffle
3	Foam insulation strips
12	Cage nuts
1	Cage nut tool
12	Pan head T30 screws
3	Wing screws

Note: The Upper and Lower Ducts are mirror images.



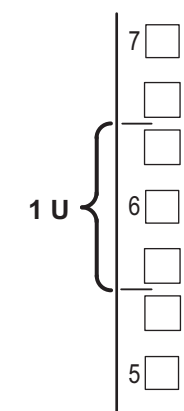
Install top and bottom duct insulation

Pull off the paper backing on the foam to adhere the 495mm foam (850-3255) to the side of both the top and bottom duct.



Identifying one U-space on the vertical mounting flange

When installing equipment, locate the top and bottom of a U-space on the mounting flanges. Every third hole on the mounting flanges of a NetShelter enclosure is numbered to indicate the middle of a U-space. A U-space consists of one of these numbered holes and one hole directly above and below it, as shown.



Inspection

Verify that all required components have been shipped with the kit. Contact Customer Support at www.apc.com if components are missing.

Inspect the parts for damage. Contact your shipper if damage is found. Schneider Electric is not responsible for damage sustained during shipment.

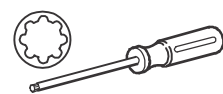
Please recycle



The shipping materials are recyclable. Save them for later use, or dispose of them appropriately.

Installation

Tools required (not provided)

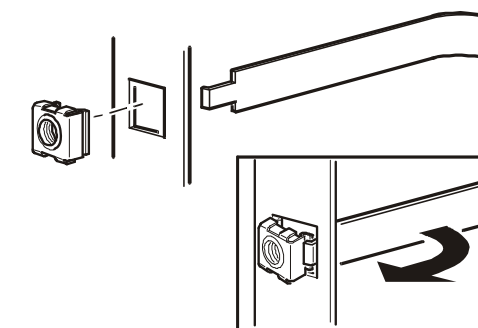


T30 screwdriver

Install cage nuts for the bottom duct

Install cage nuts in the vertical rail in the correct locations.

Install cage nuts horizontally, with the ears engaging the sides of the square hole. Do NOT install cage nuts vertically with the ears engaging the top and bottom of the square hole.



Insert the cage nut into the square hole by hooking one ear of the cage nut assembly through the far side of the hole.

Install the cage nuts on the interior of the vertical mounting flange. Place the cage nut tool (provided) on the other side of the cage nut and pull to snap it into position.

Note: To remove cage nuts, remove any attached screw then grasp the cage nut and squeeze the sides to release it from the square hole.

Safety

CAUTION

ASSEMBLY HAZARDS

- Two people are recommended to install the kit.
- Wear appropriate Personal Protection Equipment, including safety glasses and gloves.

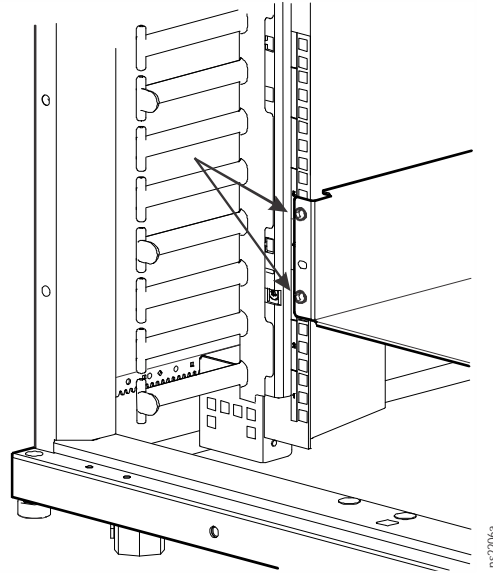
Failure to follow these instructions can result in injury, or equipment damage.

NOTICE

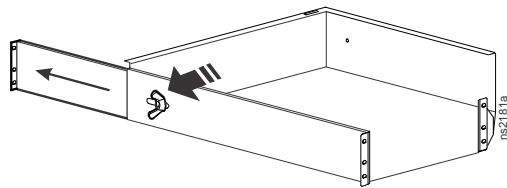
Instructions show the bottom duct installed in U-space 3, but you may choose another U-space.

Install the bottom duct

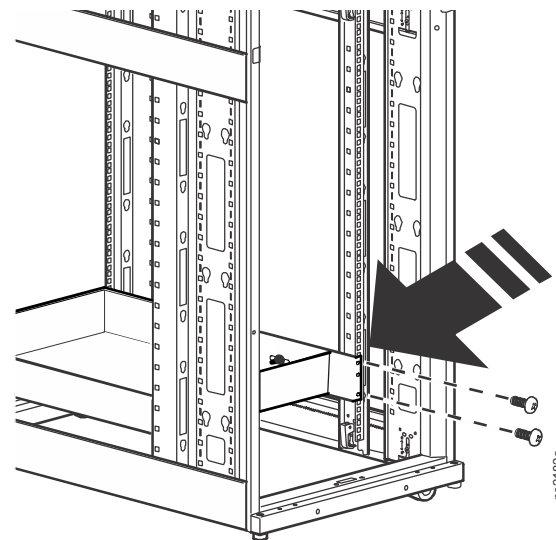
- 1 Align the bottom of the duct with the bottom of the U-space. Plan accordingly, knowing the Lower Duct is 3U high. Install two screws. Repeat for the other front mounting rail.



- 2 Loosen the wing screw on the left side of the Lower Duct and slide the rail toward the rear mounting rail.

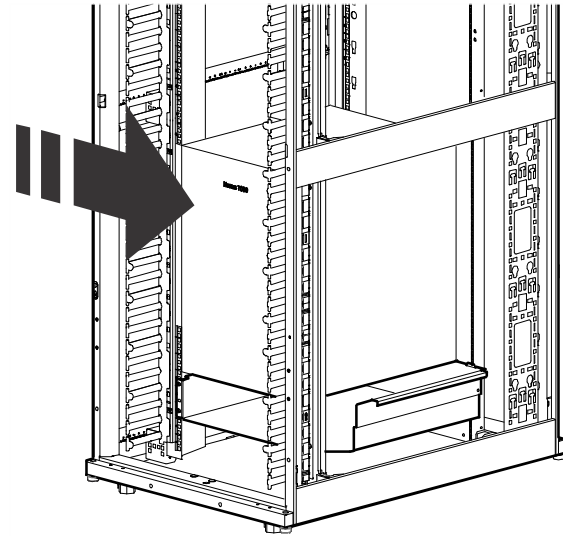


- 3 Place the tab into the center of the appropriate U-space (in this example, U-space 3). Install two screws into the mounting rails. Re-tighten the wing screw.



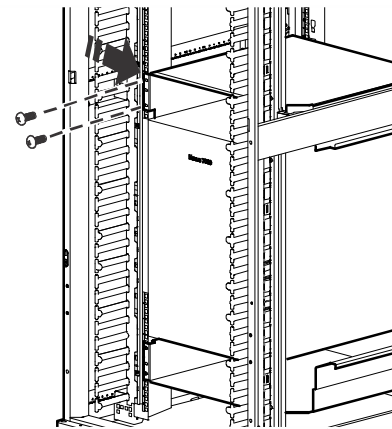
Install the switch

Install the switch (not provided) per manufacturer's instructions



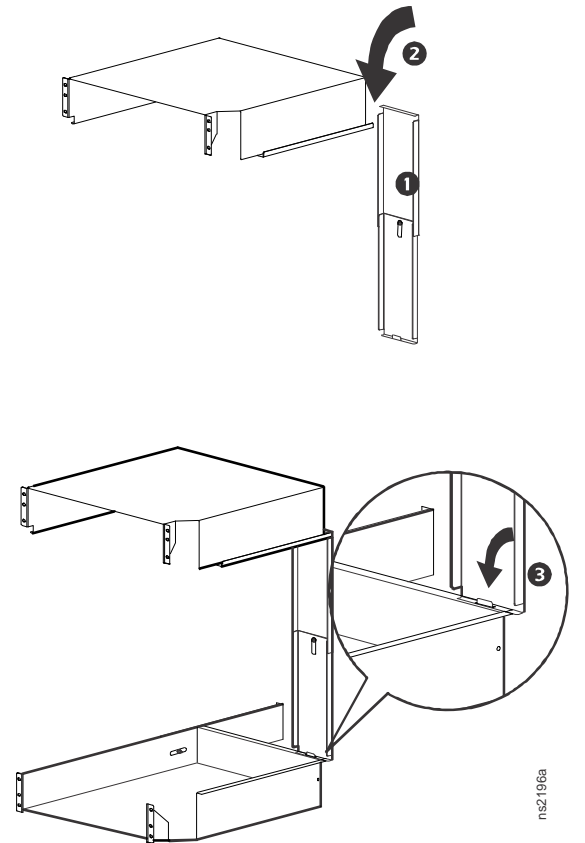
Install the top duct

- 1 Install cage nuts in the vertical rail in the correct locations above the switch so the top duct makes proper contact. See Install cage nuts for the bottom duct installation steps for more information.
- 2 Set the Top Duct on the Switch and then install two screws into the cage nuts. Repeat for the other front mounting rail.



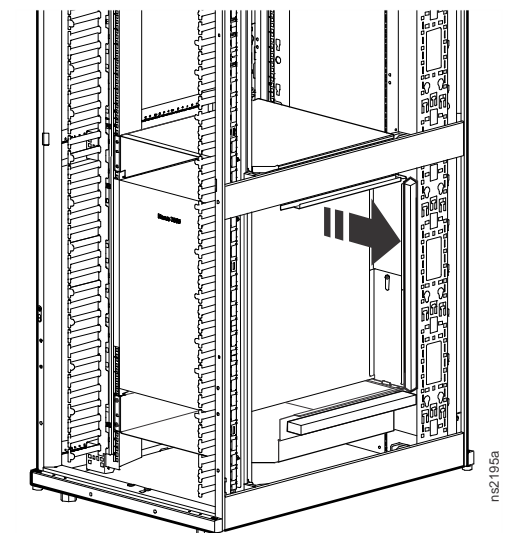
Install the Rear Baffle

- 1 Assemble the Rear Baffle. Loosely tighten the wing screw so that it will allow the rear baffle to adjust.
- 2 Place the top tab into the Top Duct slot.
- 3 Then place the bottom tab into the Bottom Duct slot. Lift the Bottom Duct up to the switch and tighten the wing screw.



- 4 Remove the backing paper to adhere the 620mm foam (850-3254) to the side of the assembled rear baffle.

Align the top of the baffle and the top of the foam strip. Start with the leading edge of the sticky side of the foam insulation and roll it forward (away from you) across the side edge of the baffle.



Worldwide Customer Support

Contact Schneider Electric Customer Care at www.apc.com/support

© 2014 Schneider Electric. APC and the APC logo are owned by Schneider Electric Industries S.A.S., or its affiliated companies. All other trademarks are property of their respective owners.