

GV-AS/EV Controller

User's Manual



Before attempting to connect or operate this product, please read these instructions carefully and save this manual for future use.



© 2020 GeoVision, Inc. All rights reserved.

Under the copyright laws, this manual may not be copied, in whole or in part, without the written consent of GeoVision.

Every effort has been made to ensure that the information in this manual is accurate. GeoVision, Inc. makes no expressed or implied warranty of any kind and assumes no responsibility for errors or omissions. No liability is assumed for incidental or consequential damages arising from the use of the information or products contained herein. Features and specifications are subject to change without notice.

Note: No memory card slot or local storage function for Argentina.

GeoVision, Inc.
9F, No. 246, Sec. 1, Neihu Rd.,
Neihu District, Taipei, Taiwan
Tel: +886-2-8797-8377
Fax: +886-2-8797-8335
<http://www.geovision.com.tw>

Trademarks used in this manual: *GeoVision*, the *GeoVision* logo and GV series products are trademarks of GeoVision, Inc. *Windows* and *Windows XP* are registered trademarks of Microsoft Corporation.

July 2020

Contents

Welcome	vii
Important Notes for Maintaining Power Supply	viii
Elevator Control	x
Optional Devices	xi
Installation Considerations	xiv
Firmware and Software Compatibility	xv
Definition	xvii
1. GV-AS100 / 1010 Controller	18
1.1 Introduction	19
1.1.1 Main Features	21
1.1.2 Packing List.....	22
1.1.3 GV-AS100 / 1010 Board Layout	23
1.2 Installation.....	24
1.2.1 Connecting Card Readers.....	25
1.2.1.A Wiegand Readers (GV-AS100 Only)	25
1.2.1.B RS485 Readers	26
1.2.1.C Network Readers (GV-AS1010 Only)	27
1.2.2 Connecting Input Devices	28
1.2.3 Connecting Output Devices.....	29
1.2.4 Connecting the PC	31
1.2.4.A Connecting GV-AS100 to PC.....	32
1.2.4.B Connecting GV-AS1010 to PC.....	33
1.2.4.C Switches (GV-AS100 Only)	34
1.2.5 Connecting the Power	34
1.2.6 Fitting the Battery	35
1.2.7 Using the Function Keys (GV-AS1010 Only)	36
1.3 Programming Mode.....	37
1.3.1 Quick Reference of Programming Table	39
1.3.2 Adding and Deleting a Card	41
1.3.2.A Adding a Card.....	41
1.3.2.B Deleting a Card.....	42
1.3.3 Resetting the APB Function	42
1.3.4 Accessing the Security Mode	43
1.3.4.A Enabling the Security Mode	43
1.3.4.B Disabling the Security Mode	43
1.3.5 Setting Parameters	44

1.3.6	Displaying System Information.....	46
1.3.7	Restoring Factory Defaults.....	47
1.4	Web-Based Configurations	48
2.	GV-AS110 / 1110 Controller	49
2.1	Introduction	50
2.1.1	Main Features	52
2.1.2	Packing List.....	53
2.2	Installation.....	54
2.2.1	Connecting Card Readers.....	56
2.2.1.A	Wiegand Readers (GV-AS110 Only)	56
2.2.1.B	Network Readers (GV-AS1110 Only)	56
2.2.2	Connecting Input Devices	57
2.2.3	Connecting Output Devices.....	58
2.2.4	Connecting to the PC	60
2.2.4.A	Connecting GV-AS110 to PC.....	60
2.2.4.B	Connecting GV-AS1110 to PC.....	61
2.2.5	Connecting the Power	62
2.3	Programming Mode.....	63
2.3.1	Adding and Deleting Cards	63
2.3.1.A	Adding a Card.....	64
2.3.1.B	Deleting a Card.....	65
2.3.2	Programming the GV-AS110 / 1110.....	66
2.4	LED Status and Beeper	69
2.5	Web-Based Configurations	71
3.	GV-AS120 Controller	72
3.1	Introduction	73
3.1.1	Main Features	75
3.1.2	Packing List.....	75
3.2	Installation.....	76
3.2.1	Connecting a Wiegand Reader	77
3.2.2	Connecting Input Devices	77
3.2.3	Connecting Output Devices.....	78
3.2.4	Connecting to the PC	79
3.2.4.A	RS-485 Connection	79
3.2.4.B	Network Connection	81
3.2.5	Connecting the Power	81
3.3	Programming Mode.....	82
3.3.1	Adding and Deleting Cards	82

3.3.1.A Adding a Card.....	83
3.3.1.B Deleting a Card.....	83
3.4 LED Status and Beeper	84
3.5 Web-Based Configurations	85
4. GV-AS210 / 2110 / 2120 Controller	86
4.1 Introduction	87
4.1.1 Main Features	87
4.1.2 Packing List.....	88
4.1.3 Board Layout.....	89
4.2 Installation.....	92
4.2.1 Connecting Card Readers.....	92
4.2.1.A Wiegand Readers.....	92
4.2.1.B RS-485 Readers.....	93
4.2.2 Connecting Input Devices	94
4.2.3 Connecting Output Devices.....	95
4.2.4 Connecting Backup Battery.....	97
4.2.5 Connecting the Power	98
4.2.6 Connecting the PC	100
4.2.7 Fitting the Battery (GV-AS2110 / 2120 Only).....	101
4.3 Other Settings.....	102
4.3.1 Web Setting Switch	102
4.3.2 Resetting the Controller.....	102
4.3.3 Restoring Factory Defaults.....	103
4.4 The Web Interface.....	104
5. GV-AS410 / 4110 / 810 / 8110 Controller	105
5.1 Introduction	106
5.1.1 Main Features	106
5.1.2 Packing List.....	107
5.1.3 GV-AS410 / 4110/ 810 / 8110 Board Layout	108
5.2 Installation.....	110
5.2.1 Connecting Card Readers.....	110
5.2.1.A Wiegand Readers.....	110
5.2.1.B RS-485 Readers.....	111
5.2.2 Connecting Input Devices	113
5.2.3 Connecting Output Devices.....	114
5.2.4 Connecting Backup Battery.....	115
5.2.5 Connecting the Power	115
5.2.6 Connecting the PC	116

5.3 Other Settings.....	117
5.3.1 Web Setting Switch.....	117
5.3.2 Resetting the GV-AS410 / 4110 / 810 / 8110.....	117
5.3.3 Restoring Factory Defaults.....	118
5.4 GV-AS410 / 4110 / 810 / 8110 Kit (Optional).....	119
5.4.1 Packing List.....	119
5.4.2 Overview.....	120
5.4.3 Connecting the GV-AS410 / 4110 / 810 / 8110 Kit.....	121
5.5 The Web Interface.....	123
6. GV-EV48 Controller	124
6.1 Introduction	125
6.1.1 Main Features.....	125
6.1.2 Packing List.....	125
6.2 Installation.....	127
6.2.1 Connecting RS-485 Card Readers.....	127
6.2.2 Connecting GV-I/O Boxes.....	128
6.2.3 Connecting Output Relay.....	129
6.2.4 Connecting Backup Battery.....	130
6.2.5 Connecting the Power.....	130
6.2.6 Connecting the PC.....	131
6.3 Other Settings.....	132
6.3.1 Web Setting Switch.....	132
6.3.2 Resetting the GV-EV48.....	132
6.3.3 Restoring Factory Defaults.....	133
6.4 The Web Interface.....	134
7. Installing on a Network	135
7.1 Fixed IP Connection.....	137
7.2 DHCP Connection.....	139
7.2.1 Connection over LAN.....	139
7.2.2 Connection over Internet.....	142
8. The Web Interface.....	145
8.1 Basic Settings	147
8.1.1 System Setup.....	147
8.1.2 Upgrading Firmware.....	149
8.1.3 Changing Login ID and Password.....	150
8.2 Advanced Settings	151
8.2.1 Function Configuration	153
8.2.2 Parameter Configuration	156

8.2.2.A	GV-AS1010 / 1110 / 210 / 2110 / 2120 / 410 / 4110 / 810 / 8110.....	156
8.2.2.B	GV-EV48	161
8.2.3	Card Configuration	163
8.2.4	Card Information	164
8.2.5	Time Configuration.....	165
8.2.6	Input Configuration.....	167
8.2.7	Output Configuration	170
8.2.7.A	Output Function Settings	172
8.2.7.B	Output Condition Settings.....	173
8.2.8	Wiegand Configuration.....	175
8.2.9	Function Key Configuration	176
8.3	Extended Device.....	177
8.3.1	Extended Reader	177
8.4	Extended I/O BOX Configuration	181
9.	Optional Devices	182
9.1	Optional GV-ASBox	183
9.1.1	Main Features	183
9.1.2	Packing List.....	183
9.1.3	GV-ASBox Board Layout.....	184
9.1.4	Installation.....	185
9.1.4.A	Connecting GV-AS100 / 110 / 120.....	185
9.1.4.B	Connecting a Wiegand Reader	186
9.1.4.C	Connecting GV-Readers and GV-GF Fingerprint Readers	187
9.1.4.D	Connecting Input Devices.....	188
9.1.4.E	Connecting Output Devices	189
9.1.4.F	Connecting Backup Battery.....	191
9.1.4.G	Other Settings	192
9.1.4.G.a	Web Setting Switch.....	192
9.1.4.G.b	Resetting the GV-ASBox	192
9.1.4.G.c	Restoring Factory Defaults.....	192
9.2	Optional GV-ASNet	193
9.2.1	Main Features	193
9.2.2	Packing List.....	193
9.2.3	GV-ASNet Overview	194
9.2.4	Installation.....	195
9.2.4.A	Connecting GV-AS100 / 110 / 120.....	195
9.2.4.B	Connecting GV-Readers and GV-GF Fingerprint Readers	196
9.2.4.C	Connecting Backup Battery	197
9.2.4.D	Other Settings	198

9.2.4.D.a Web Setting Switch.....	198
9.2.4.D.b Restoring Factory Defaults.....	198
9.2.4.D.c Power Status LED.....	198
9.3 Web Interface through Optional Devices	199
9.3.1 Basic Setting.....	199
9.3.2 Advanced Settings	200
9.3.2.A Function Setting.....	201
9.3.2.B Parameter Setting.....	204
9.3.2.C Status Monitor	208
9.3.2.D Card Information.....	209
9.3.2.E Time Setting	210
9.3.2.F In/Out Function	211
9.3.2.G Extended Reader	219
10. Troubleshooting	221
Appendix	227
A. GV-MountA900 for GV-AS110 / 1110 (Optional).....	228

Welcome

This user manual includes the following types of GV-AS / GV-EV Controllers:

GV-AS Controllers

	Doors Supported		Page Number
	One-Way Control	Two-Way Control	
GV-AS100 / 1010	1	1	See p. 1
GV-AS110 / 1110	1	1	See p. 34
GV-AS120	1	1	See p. 59
GV-AS210 / 2110 / 2120	4	2 (Wiegand only) 4 (Wiegand + RS-485 / Network)	See p. 74
GV-AS410 / 4110	4	4	See p. 92
GV-AS810 / 8110	8	4 (Wiegand only), 8 (RS-485 / Network)	See p. 92

GV-EV Controllers

	Floors Supported	Readers Supported	Page Number
GV-EV48-24 Floors	24	2 (RS-485 or Network)	See p.112
GV-EV48-48 Floors	48		

Important Notes for Maintaining Power Supply

To make sure GV-AS / EV Controllers can function properly during a power outage, be sure to replace the internal battery on the controllers when needed. It is also recommended to install a backup battery for compatible GV-AS Controllers.

Refer to the following sections for instructions on how to install a backup battery:

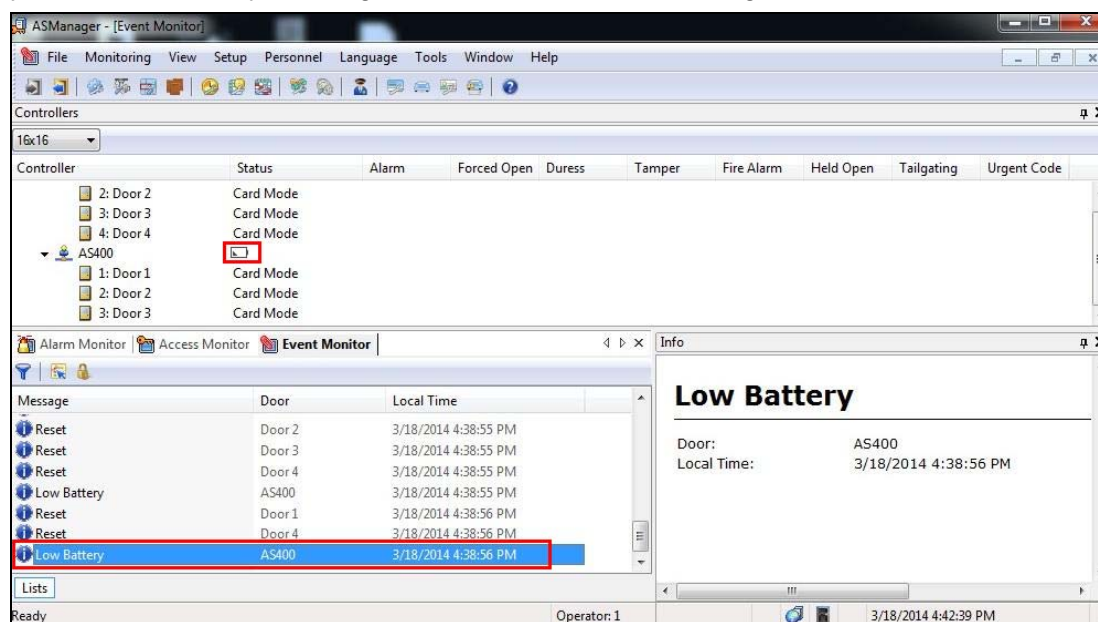
- **GV-AS100 / 110 / 120 through GV-ASBox:** See 9.1.4.F *Connecting Backup Battery*.
- **GV-AS100 / 110 / 120 through GV-ASNet:** See 9.2.4.F *Connecting Backup Battery*.
- **GV-AS210 / 2110 / 2120:** See 4.2.4 *Connecting Backup Battery*.
- **GV-AS410 / 4110 / 810 / 8110:** See 5.2.4 *Connecting Backup Battery*.
- **GV-EV48:** See 6.2.3 *Connecting Backup Battery*.

The table below lists the types of internal batteries used by different GV-AS / EV Controllers.

Type of Battery	GV-AS / EV Controllers
Replaceable Button Cell	GV-AS100 / 2110 / 2120 / 4110 / 8110
Built-in Battery	GV-AS1010 / 110 / 1110 / 120 / 210 / 410 / 810 GV-EV48

Replaceable Button Cell (GV-AS100 / 2110 / 2120 / 4110 / 8110)

For GV-AS100 / 2110 / 2120 / 4110 / 8110, you can replace the battery on your own when you see low battery messages and icons in GV-ASManager.



Note: Make sure the plastic insulation film under the battery is removed when using GV-AS100 / 2110 / 2120 / 4110 / 8110 for the first time. The low battery messages and icons will appear if the plastic film is not removed.

Built-in Battery (GV-AS1010 / 110 / 1110 / 120 / 210 / 410 / 810 & GV-EV48)

When the controller runs out of battery, the local time on the controller will be reverted back to 1999/12/31. The controller time can be found on the Web interface of the controller on the Time Configuration page and in the Access Monitor / Alarm Monitor / Event Monitor of GV-ASManager.

The screenshot displays the 'Time Configuration' page in the GeoVision web interface. On the left, a navigation menu lists 'Basic Setting' and 'Advanced Setting' categories. Under 'Advanced Setting', 'Time Setting' is highlighted with a red box. The main content area shows 'System Local Time' with 'Local Time' set to '2014/04/25 15:42:11' (highlighted in red) and 'Time Zone' set to '+8:00'. Below this, the 'Local Time' section has 'Disable' selected. At the bottom, there are dropdown menus for 'TimeZone', 'Hour', 'Min', 'Year', 'Month', and 'Date', with values 0, 0, 2009, January, and 1 respectively.

When you see the controller year shown as 1999 or 2000, disconnect the controller from power and reconnect it to power. If the year is still shown as 1999 or 2000, the controller battery needs to be replaced. When this occurs, connect the controller to a backup battery and maintain connection with GV-ASManager at all times. When connected to GV-ASManager, the controller's time will be synchronized with GV-ASManager's time.

Elevator Control

GV-AS / GV-EV Controllers provide two types of elevator control.

For **GV-AS100 / 1010 / 110 / 1110 / 120 / 210 / 2110 / 2120 / 410 / 4110 / 810 / 8110**, the GV-AS Controller can control access to the elevator call buttons. Users who present the correct identification card to the elevator reader will be able to use the elevator and can go any floors. The output relays are connected to the call button of the elevator.

For **GV-EV48**, a controller especially designed for elevator control, access can be granted to specific floors. You can configure each identification card to specify the floors it can access. In this type of elevator control, each output relay is connected to the button of corresponding floor in the elevator control panel.

Optional Devices

Optional devices can expand the capabilities and versatilities of your GV-AS / GV-EV Controllers. Consult your sales representative for more information.

GV-Reader 1251	GV-Reader 1251 is a card reader that uses a 125 kHz frequency. It has both Wiegand and RS-485 outputs that can be connected to any standard access control panel.
GV-RK1352	GV-RK1352 is a card reader with keypad that uses a 13.56 MHz frequency. The reader has both Wiegand and RS-485 outputs that can be connected to any standard access control panel.
GV-R1352	GV-R1352 is a card reader that uses a 13.56 MHz frequency. The reader has both Wiegand and RS-485 outputs that can be connected to any standard access control panel.
GV-GF Fingerprint Reader	Fingerprints can be enrolled locally or remotely using a GV-GF1921 / 1922 Fingerprint Reader through TCP/IP connection with GV-ASManager. For local fingerprint enrollment , the user needs to register his or her fingerprints onsite using a reader connected with GV-ASManager. For remote fingerprint enrollment , empty fingerprints can be created on the GV-ASManager first, and the user can register his or her fingerprints later at a GV-GF1921 / 1922 with the assigned card.
GV-FR Face Recognition Reader	The reader supports two operation modes: Face Recognition or Card. In Face Recognition mode, GV-ASManager synchronizes the faces enrolled from the reader for access controller. In Card mode, the users need to present their cards to be granted access.
GV-CR420	GV-CR420 is a card reader with a built-in 4MP wide angle IP camera. The card reader recognizes identification cards and transmits live view through network connection.
GV-DFR1352	The GV-DFR1352 is a card reader designed to be installed on the door frame for recognizing identification cards. Featured with the Wiegand and RS-485 outputs, the unit can be connected to any standard access control panel.
GV-ASBox	Only works with GV-AS100 / 110 / 120. The device can add Network function, 1 Wiegand interface, 8 additional inputs and outputs to GV-AS100, GV-AS110 and GV-AS120.
GV-ASNet	Only works with GV-AS100 / 110 / 120. This device can add Network function to GV-AS100, GV-AS110 and GV-AS120.

GV-Hub	Only works with GV-AS100 / 110 / 120. GV-Hub can convert the standard RS-232 signal of up to 4 controllers to RS-485, allowing the controllers to connect to computers.
GV-COM	Only works with GV-AS100 / 110 / 120. GV-COM can convert the standard RS-232 signal of one controller to RS-485, allowing the controller to connect to a computer.
GV-Net / IO Card	Only works with GV-AS100 / 110 / 120. GV-Net / IO Card can convert the standard RS-232 signal of one controller to RS-485, allowing the controller to connect to a computer.
GV-AS410 / 4110 / 810 / 8110 Kit	Only available for GV-AS410 / 4110 / 810 / 8110. Includes a GV-AS410 / 4110 / 810 / 8110, a power adapter board, a power supply and a casing for backup battery. The power supply provides power to the controller and up to 8 output devices (12V, 0.9A per device).
Cabinet (GV-AS Iron Box)	Only available for GV-AS410 / 4110 / 810 / 8110 and GV-EV48. With the cabinet (Dimension: 383.5 x 443.5 x 112.2 mm / 15.1 x 17.5 x 4.4 in), GV-AS Controllers can be mounted directly to a wall or recessed into the wall.
GV-MountA900	Only available for GV-AS110 / 1110. GV-MountA900 is a mounting plate that allows you to attach GV-AS110 / 1110 to a US single gang power box. <ul style="list-style-type: none"> • Dimensions: 100 x 68 mm / 3.9 x 2.7 in • Weight: 55 g / 0.12 lb
Push Button Switch	The push button switch can be integrated with access control system, allowing door exit by momentarily activating or deactivating the electric locking device. Both American standard and European standard push buttons are available.
GV-IB25 / 65 / 85 Infrared Button	The GV-IB25 / 65 / 85 Infrared Button detects infrared movement within 3 to 12 cm and allows you to open the door with a wave of hand.
Electric Lock	Three types of electric locks are available: electromagnetic lock, electric bolt and electric strike.
GV-AS ID Card & GV-AS ID Tag	GV-AS ID Cards and GV-AS ID Tags are ideal for business and residential environment, where access control is important for security reasons. 125 kHz and 13.56 MHz cards and tags are available.

GV-POE Switch	Only works with GV-AS2120. The GV-POE Switch is designed to provide power along with network connection for IP devices. The GV-POE Switch is available in various models with different numbers and types of ports. GV-AS2120 requires PoE that provides at least 25.5 W (IEEE 802.3at).
Power Adapter	Contact your sales representative for the countries and areas supported.

Installation Considerations

1. There are distance limitations for Wiegand and RS-485 communications. Please note:

- **Wiegand interface:**

Recommended Wiegand cable: Wiegand cable (a twisted pair of 24 AWG wires)

- ⦿ 100 meters (328.1 feet) for GV-AS2110 / 2120 / 4110 / 8110
- ⦿ 30 meters (98.43 feet) for other GV-AS Controllers

- **RS-485 interface:** 600 meters (1968.50 feet)

Recommended RS-485 cable: standard 485 cable (a twisted pair of 24 AWG wires)

2. GV-ASManager software is used to manage GV-AS / GV-EV Controllers. There is a limit for the number of controllers connected to GV-ASManager based on communication modes.

- **Through network connection**, up to 1000 GV-AS / GV-EV Controllers can connect to GV-ASManager.
- **Through RS-485 connection**, up to 16 GV-AS100 / 110 / 120 Controllers can connect to the same COM port on a computer running GV-ASManager.

3. When presenting cards to GeoVision readers and the built-in readers of GV-AS100 / 1010 / 110 / 1110 / 120, make sure only one card is presented at a time to avoid frequency interference.

Note:

1. For RS-485 connection between GV-AS Controllers and readers, use additional power for the readers when the distance ranges from 30.48 ~ 600 meters (100 ~ 1968.50 ft). There is no need to use additional power when the distance is within 30.48 meters (100 ft).
 2. For GV-AS100 / 2110 / 2120 / 4110 / 8110, it is highly recommended to replace the button cell battery included on the circuit board annually.
-

Firmware and Software Compatibility

The GV-AS / GV-EV Controllers firmware versions compatible with GV-ASManager are listed below.

Models	GV-ASManager				
	V4.2.3	V4.3	V4.35	V4.4	V4.4.1 V4.4.2
GV-AS100	V1.08				
GV-AS110 / 120	V1.07				
GV-AS400	V1.06				
GV-AS1010	V1.0	V1.1	V1.2		V1.3
GV-AS1110			V1.2		
GV-AS1520	N/A				
GV-AS410	V1.23	V1.3		V1.4	
GV-AS210 / 810					
GV-AS2110 / 4110 / 8110					
GV-AS4111 / 81111					
GV-AS2120	N/A	V1.35			
GV-CS1320	N/A		V1.0	V1.10	
GV-EV48	V1.12	V1.3		V1.4	
GV-ASBox / GV-ASNet (Optional devices)	V1.07				

	GV-ASManager								
Models	V4.4.3	V5.0	V5.0.1.0	V5.0.2.0	V5.1.0.0	V5.1.1	V5.2.0	V5.3.0	
GV-AS100	N/A								
GV-AS110 / 120	N/A								
GV-AS400	V1.06								
GV-AS1010	V1.31	V1.32					V1.40		
GV-AS1110	V1.21								
GV-AS1520	N/A		V2.00		V2.01	V2.02	V2.04	V2.05	
GV-AS1620	N/A						V1.00	V1.02	
GV-AS410	V1.41	V2.00	V2.11	V2.12	V2.15	V2.20	V2.21	V2.31	
GV-AS210 / 810									
GV-AS2110 / 4110 / 8110									
GV-AS4111 / 8111									
GV-AS2120									
GV-CS1320	V1.11			V2.20		V3.0	V3.03	V3.04	
GV-EV48	V1.41			V1.43				V2.31	
GV-ASBox / GV-ASNet (Optional devices)	N/A								

Definition

Tampering Alarm	<p>GV-AS100 / 1010 / 110 / 1110 / 120 have built-in sensors to detect whether the controller is being physically tampered with (i.e. opening of the controller or sustaining strong impact). For GV-AS210 / 2110 / 2120 / 410 / 4110 / 810 / 8110, the tampering alarm sensor needs to be installed separately and the triggering conditions depend on the type of sensor installed.</p> <p>The GV-AS Controller also provides output relays for activating and deactivating electric lock, siren and emergency door release when tampering is detected by the sensors.</p> <p>For configuring input sensors and outputs, see <i>Chapter 9 The Web Interface</i> or <i>Web Interface through Optional Devices</i> in Chapter 10 for <i>GV-AS100 / 110 / 120</i>.</p> <p>For settings of alarm conditions see <i>Step 2: Configuring the Doors</i> in Chapter 4 of <i>GV-ASManager User's Manual</i>.</p>
------------------------	--

1. GV-AS100 / 1010 Controller

1.1 Introduction

GV-AS100 / 1010 is a single door controller with a built-in a card reader and a LCD display.

You can connect one more card reader to GV-AS100, and up to two more card readers to GV-AS1010 for entry and exit applications. GV-AS100 / 1010 has the capability to store up to one thousand cards as a standalone model and up to 40,000 cards when connected to GV-ASManager. The programming is either done on the keypad or from the software GV-ASManager.

GV-AS100 / 1010 is suitable for controlling doors, parking gates and access to elevator call buttons.

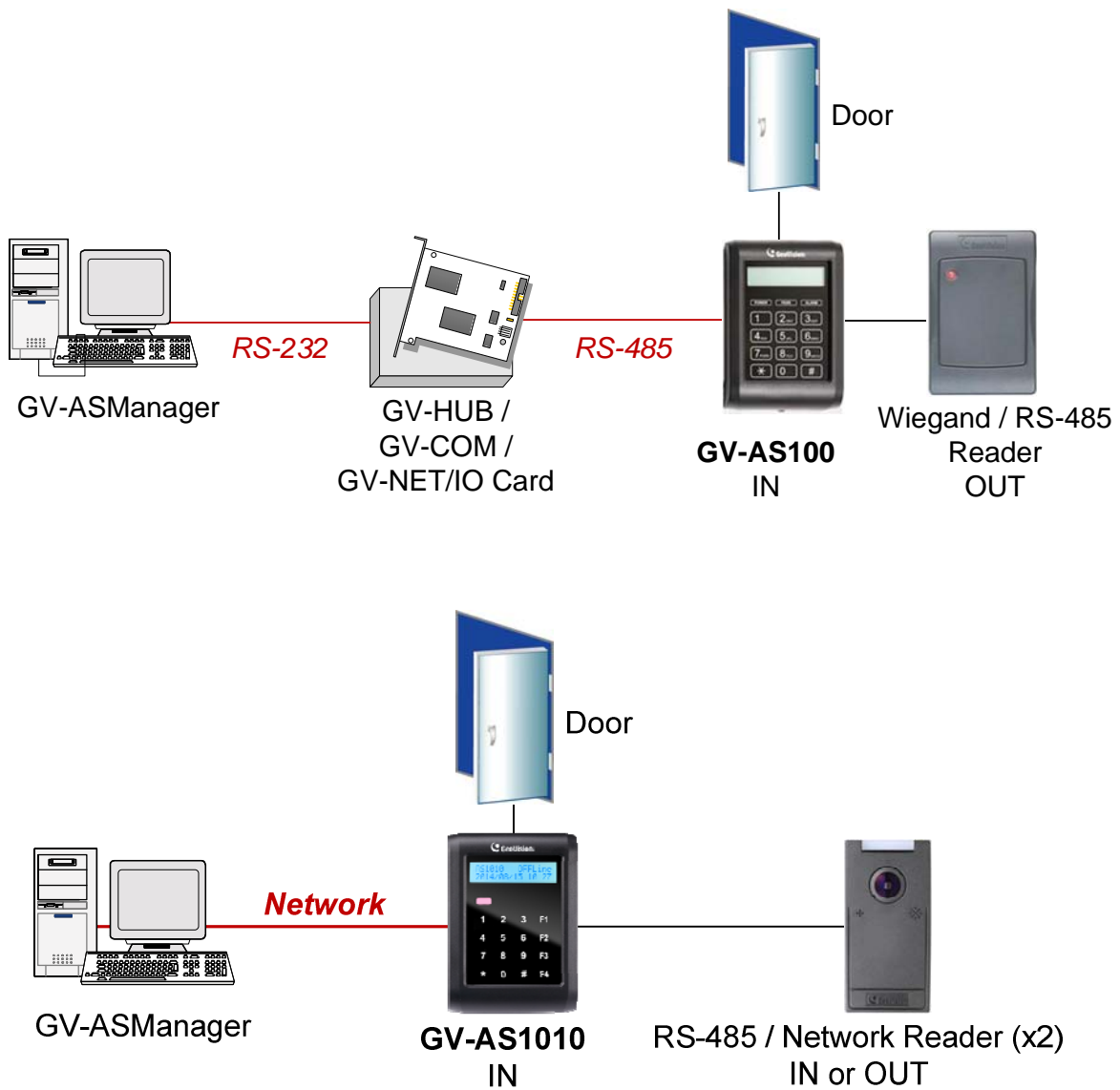


Figure 1-1

GV-AS100 can make network connection to GV-ASManager using the optional GV-ASBox or GV-ASNet. With GV-ASBox, two-door control is also possible as illustrated below.

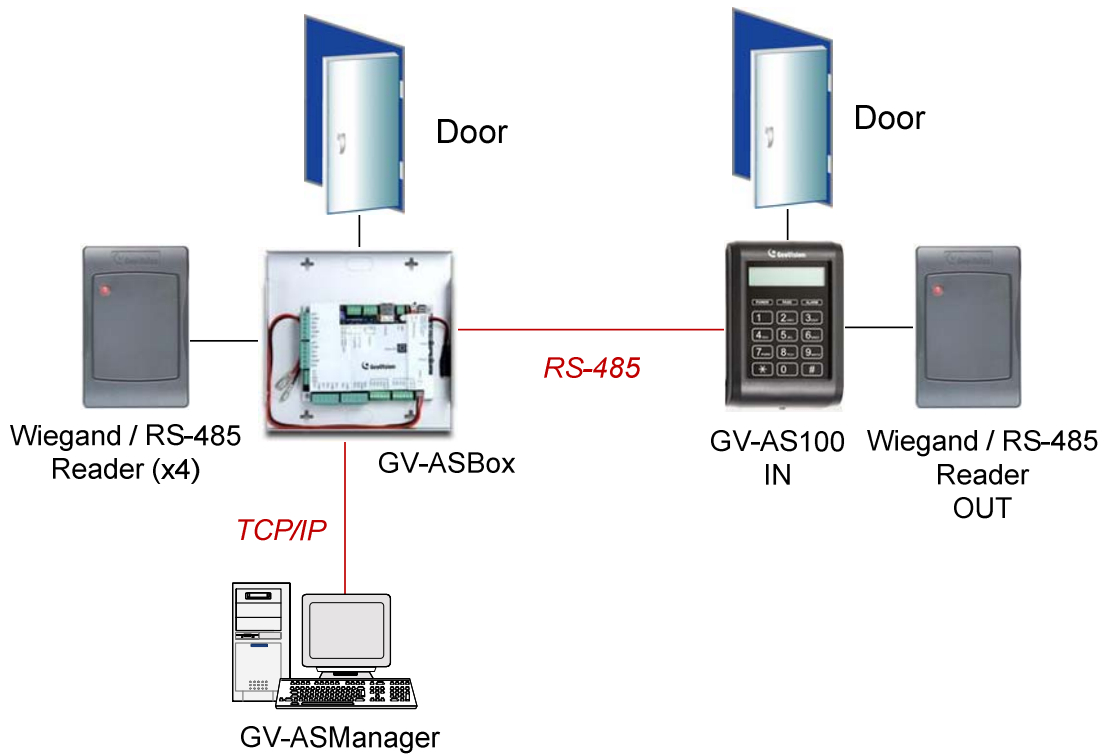


Figure 1-2 Through GV-ASBox

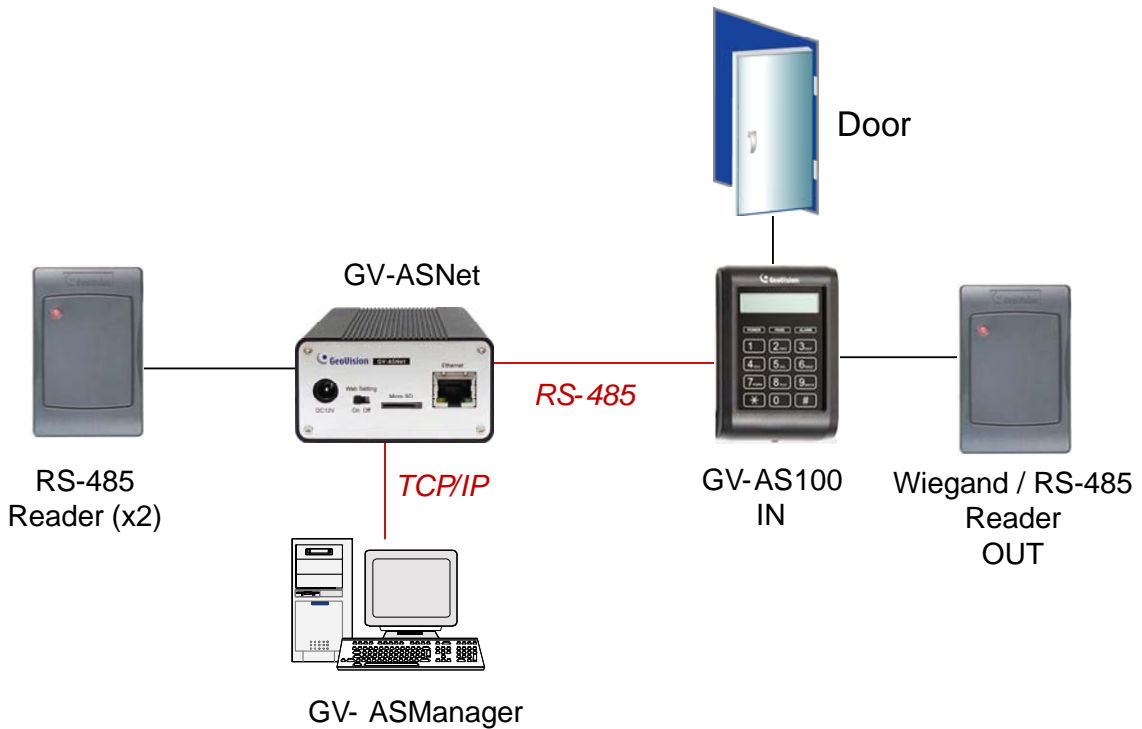


Figure 1-3 Through GV-ASNet

1.1.1 Main Features

GV-AS100

- 1 door (one-way and two-way control), expandable to 2 doors with optional GV-ASBox
- 1,000 / 40,000 cards (standalone / networked or RS-485 mode)
- Easy programming from keypad
- Built-in 3 digital inputs and 2 relay outputs
- 1 Wiegand output (26 ~ 64 bits) and 1 RS-485 interface for extra reader programming
- Built-in 13.56 MHz Reader
- Support for GV-Proximity Cards with GID (GeoVision identifier) to enhance security
- Built-in tampering alarm sensor
- IP54-compliant housing
- Anti-Passback (APB) support

GV-AS1010

- 1 door (one-way and two-way control)
- 1,000 / 40,000 cards (standalone / networked mode)
- Easy programming from keypad
- Function keys on keypad to register attendance data for GV-TAWeb
- Built-in 3 digital inputs and 2 relay outputs
- 1 RS-485 interface for connecting to up to 2 readers
- 1 network interface for connection with GV-ASManager and TCP/IP reader
- Built-in 13.56 MHz Reader
- Support for GV-Proximity Cards with GID (GeoVision identifier) to enhance security
- Built-in tampering alarm sensor
- IP54-compliant housing
- Anti-Passback (APB) support

1.1.2 Packing List

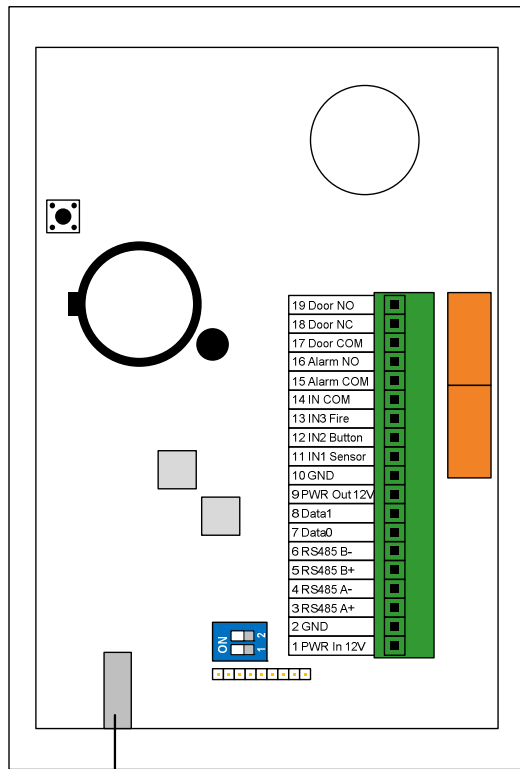
GV-AS100

- GV-AS100
- Power Adaptor 12V DC / 1A
- Power Cord
- Screw x 3
- Screw Anchor x 2
- Master Card
- GV-AS ID F Card x 20
- Download Guide
- Warranty Card

GV-AS1010

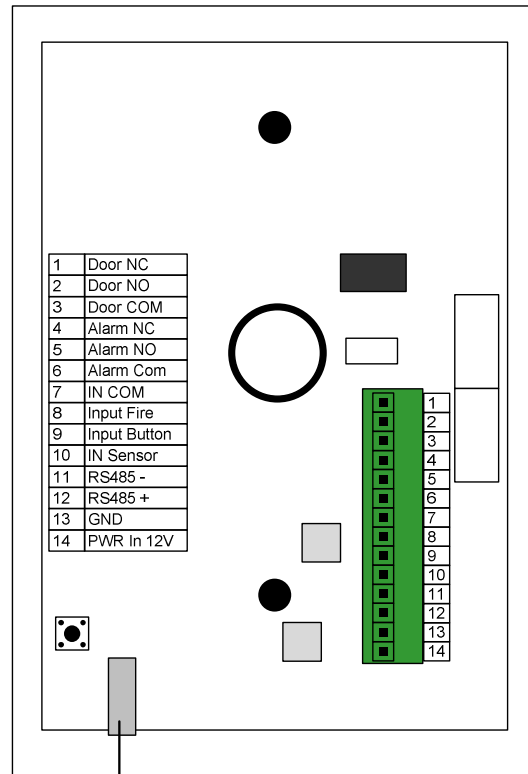
- GV-AS1010
- Power Adaptor 12V DC / 1.25A
- Screw x 3
- Screw Anchor x 2
- Enroll Card
- Delete Card
- GV-AS ID F Card x 20
- Torx Wrench
- Software CD
- Warranty Card

1.1.3 GV-AS100 / 1010 Board Layout



Tampering Alarm Sensor

GV-AS100



Tampering Alarm Sensor

GV-AS1010

Figure 1-4

1.2 Installation

Open the GV-AS100 / 1010 to access the terminal block.

GV-AS100

19 Door NO	■	Pin	Function	Pin	Function
18 Door NC	■	1	12V Power	11	Sensor IN1
17 Door COM	■	2	GND	12	Button IN2
16 Alarm NO	■	3	RS-485 A+ for ASBox / ASNet or PC connection	13	Fire IN3
15 Alarm COM	■	4	RS-485 A-for ASBox / ASNet or PC connection	14	IN COM
14 IN COM	■	5	RS-485 B+ for GV-Reader connection	15	Alarm COM
13 IN3 Fire	■	6	RS-485 B- for GV-Reader connection	16	Alarm NO
12 IN2 Button	■	7	Wiegand Data 0	17	Door COM
11 IN1 Sensor	■	8	Wiegand Data 1	18	Door NC
10 GND	■	9	12V Power Supply	19	Door NO
9 PWR Out 12V	■	10	GND		
8 Data1	■				
7 Data0	■				
6 RS485 B-	■				
5 RS485 B+	■				
4 RS485 A-	■				
3 RS485 A+	■				
2 GND	■				
1 PWR In 12V	■				

Figure 1-5

GV-AS1010

1	Door NC	■	Pin	Function	Pin	Function
2	Door NO	■	1	Door NC	8	Input Fire
3	Door COM	■	2	Door NO	9	Input Button
4	Alarm NC	■	3	Door COM	10	Input Sensor
5	Alarm NO	■	4	Alarm NC	11	RS485 -
6	Alarm Com	■	5	Alarm NO	12	RS485 +
7	IN COM	■	6	Alarm Com	13	GND
8	Input Fire	■	7	IN COM	14	PWR In 12V
9	Input Button	■				
10	Input Sensor	■				
11	RS485 -	■				
12	RS485 +	■				
13	GND	■				
14	PWR In 12V	■				

Figure 1-6

1.2.1 Connecting Card Readers

1.2.1.A Wiegand Readers (GV-AS100 Only)

GV-AS100 provides one Wiegand input for connection of the Wiegand reader ranging from 26 to 64 bits. Through the GV-AS100 keypad, you can set the Wiegand reader as the entry or exit reader. To define the reader, see the **AS100 Function** option in *1.3.5 Setting Parameters*.

Note: Wiegand connection is not supported for GV-AS1010.

The table below shows the pin assignments of the Wiegand input on GV-AS100. Please consult the documentation of your Wiegand reader for wiring.

Pin	Function
7	Wiegand Data 0
8	Wiegand Data 1
9	12V Power Supply
10	GND

1.2.1.B RS485 Readers

For long-distance connection and non-Wiegand card readers, you can establish RS-485 connection with any GV-Readers and GV-GF1911 / 1912. GV-AS100 can connect with **1 reader** through RS-485 connection. GV-AS1010 can connect with up to **2 readers** through a single RS-485 cable.

When connecting a second reader to GV-AS1010, you will need to set up a separate power source to power the second reader.

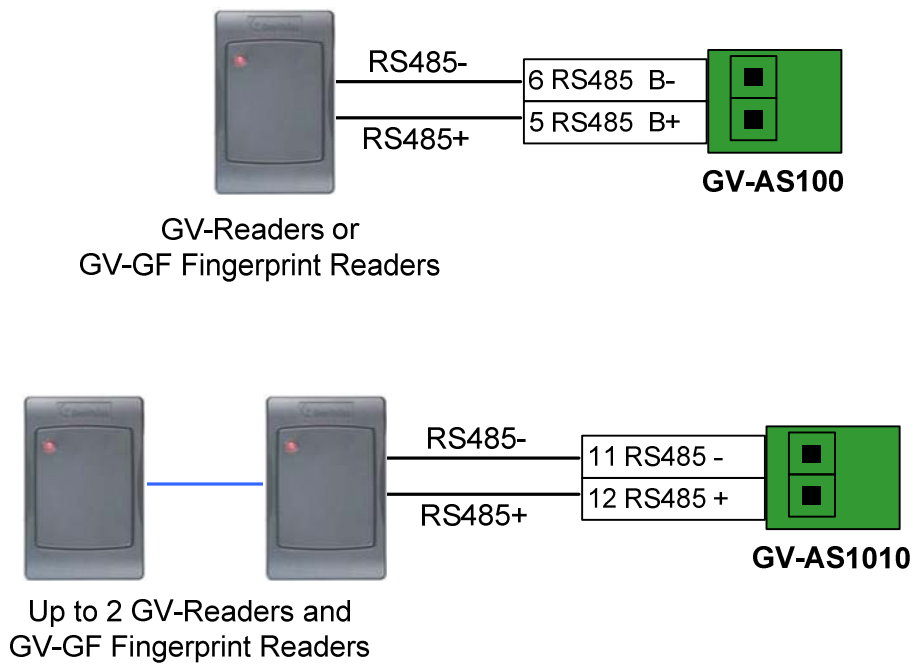


Figure 1-7

1.2.1.C Network Readers (GV-AS1010 Only)

GV-AS1010 supports network connection with GV-CR420 and GV-GF1921 / 1922. Through the GV-AS1010 keypad, you can set the network reader as the entry or exit reader. To define the reader, see the **Door/Gate Function** option in 2.3.2 *Programming the GV-AS110 / 1110*.

Note:

1. Network connection with readers is not supported for GV-AS110.
 2. GV-AS1010 does not support network connection with GV-GF1911 / 1912.
-

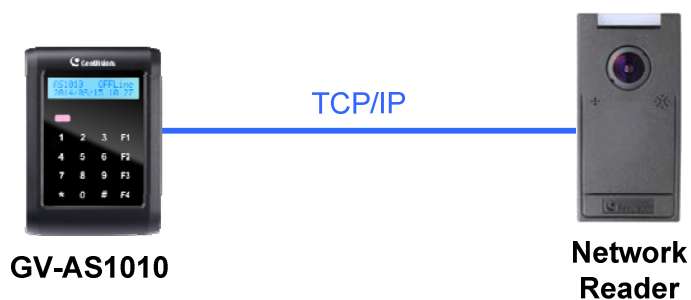


Figure 1-8

1.2.2 Connecting Input Devices

GV-AS100 / 1010 supports 3 types of inputs:

1. Sensor inputs, e.g. door status sensor
2. Button inputs, e.g. door opener
3. Fire Sensor inputs, e.g. fire detector

All inputs are **dry contact** and can be configured as normally open (NO) or normally closed (NC) through the GV-AS100 / 1010 keypad. The default value is **NO**. To change the input status, see the **Set Contact Type** option in *1.3.5 Setting Parameters*.

The table below shows the pin assignments of input connectors on GV-AS100 and GV-AS1010.

GV-AS100

Pin	Function
11	Sensor IN1
12	Button IN2
13	Fire Sensor IN3
14	IN COM

GV-AS1010

Pin	Function
7	IN COM
8	Input Fire
9	Input Button
10	Input Sensor

1.2.3 Connecting Output Devices

GV-AS100 supports 2 types of outputs:

1. Alarm outputs, e.g. siren or bell
2. Door outputs, e.g. electronic lock

The table below shows the pin assignments of output connectors on GV-AS100 / 1010.

GV-AS100

Pin	Function
15	Alarm COM
16	Alarm NO
17	Door COM
18	Door NC
19	Door NO

GV-AS1010

Pin	Function
1	Door NC
2	Door NO
3	Door COM
4	Alarm NC
5	Alarm NO
6	Alarm Com

Check if your output device meets the following absolute maximum ratings before connecting it to the Door outputs.

Breakdown Voltage	240V AC, 30V DC
Continuous Load Current	5A (NO), 3A (NC)
<p>Note: Absolute Maximum Ratings are those values beyond which damage to GV-AS100 circuit board may occur. Continuous operation of GV-AS100 at the absolute rating level may affect GV-AS100 reliability.</p>	

To connect an output device:

The example below illustrates the connection of a locking device to GV-AS100 / 1010.

Connect the (+) point on the locking device to the Door COM on GV-AS100 / 1010, connect the two (-) points of the locking device and the external power supply together, and connect the (+) point on the external power supply to the Door NO or Door NC on GV-AS100 / 1010 based on the state of the locking device.

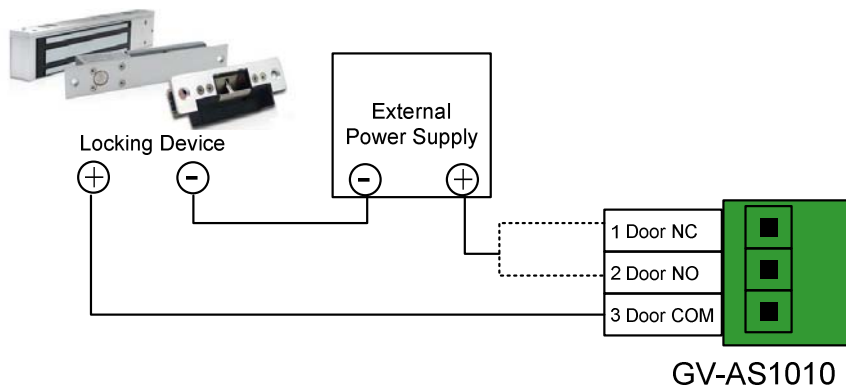
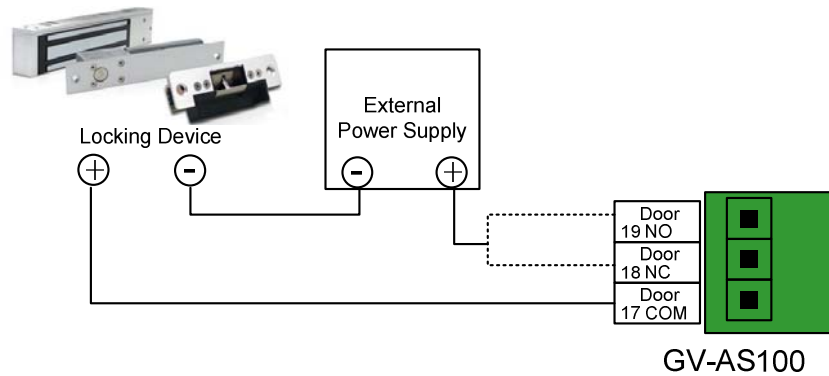


Figure 1-9

1.2.4 Connecting the PC

Connecting GV-AS110 / 1110 to a computer allows you to access its Web interface and connect it to GV-ASManager if the computer is installed with GV-ASManager. GV-ASManager software can monitor the access information and alarm messages from GV-AS100 / 1010. The communication link between the computer and GV-AS100 / 1010 is as below.

GV-AS100: RS-485 connection or network connection

- RS-485 connection: a RS-485 to RS-232 converter is required
- Network connection: an optional GV-ASBox or GV-ASNet is required

GV-AS1010: Network connection

IMPORTANT: To enable connection to PC on GV-AS100, **Switch 1** must be turned on. See *1.2.4.C Switches*.

1.2.4.A Connecting GV-AS100 to PC

RS-485 Connection between GV-AS100 and PC

The figure below illustrates the RS-485 connection to the computer. For this connection, a RS-485 to RS-232 converter between GV-AS100 and the computer is required. You can use GV accessories, such as GV-Hub, GV-COM and GV-NET/IO Card, as the RS-485/RS-232 converter.

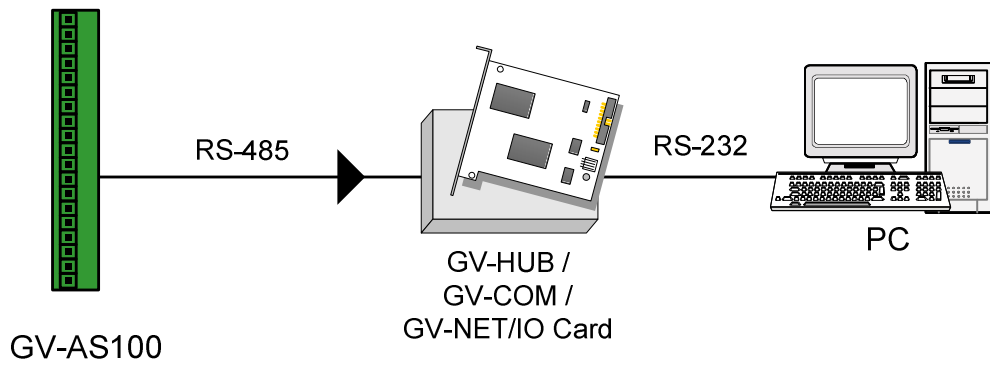


Figure 1-10

The table shows the pin assignments of related RS-485 connectors on GV-AS100.

Pin	Function
3	RS-485 A+
4	RS-485 A-

Note: When connecting multiple GV-AS100 through RS-485 connection, you can use the keypad on GV-AS100 to program every unit's ID. See [1.3.5 Setting Parameters](#).

Network Connection between GV-AS100 and PC

The figure below illustrates the network connection to the computer. For this connection, the optional product GV-ASBox or GV-ASNet is required.

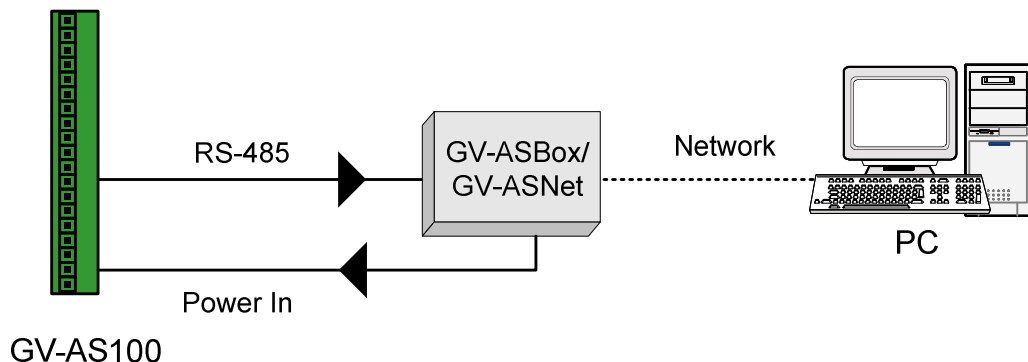


Figure 1-11

Connect two power wires and two RS-485 wires from GV-ASBox / GV-ASNet to GV-AS100. The table below shows the pin assignments of related connectors on GV-AS100.

Pin	Function	Pin	Function
1	Power In 12V	3	RS-485 A+
2	GND	4	RS-485 A-

Also see 9.1.4.A Connecting GV-AS100 / 110 / 120.

1.2.4.B Connecting GV-AS1010 to PC

The figure below illustrates the network connection between GV-AS1010 and the computer.

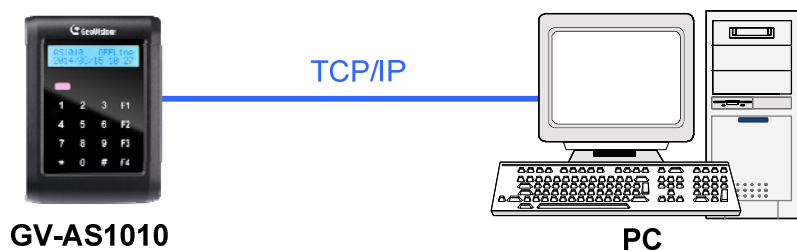


Figure 1-12

Note: GV-AS1010 is only compatible with GV-ASManager V4.2.3 or later.

1.2.4.C Switches (GV-AS100 Only)

Switch 1: When Switch 1 is ON, GV-AS100 can connect to GV-ASManager, GV-ASBox or GV-ASNet. When Switch 1 is OFF, the connection is unavailable. By default Switch 1 is set to **ON**.

Switch 2: When the RS-485 connection between GV-AS100 and computer is over a long distance, the RS-485 signal may become weak. In this case, turn Switch 2 ON to have a 120-Ohm resistor.

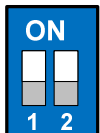


Figure 1-13

1.2.5 Connecting the Power

The supplied power adaptor can be connected to any power source supplying from 100 to 240V. Using the supplied power cord and adaptor, connect GV-AS100 / 1010 to the power.

Note: Power should only be applied to the unit when all connections are completed and tested.

1.2.6 Fitting the Battery

GV-AS100 / 1010 includes a battery, providing power to GV-AS100 / 1010 settings and real-time clock circuitry. When the power in the battery becomes low, the message “Low Battery” will appear on GV-AS100 / 1010 LCD. In this case, replace the battery. All settings on GV-AS100 / 1010 will disappear about 10 hours after the battery stops working, and GV-AS100 / 1010 will be restored to default settings.

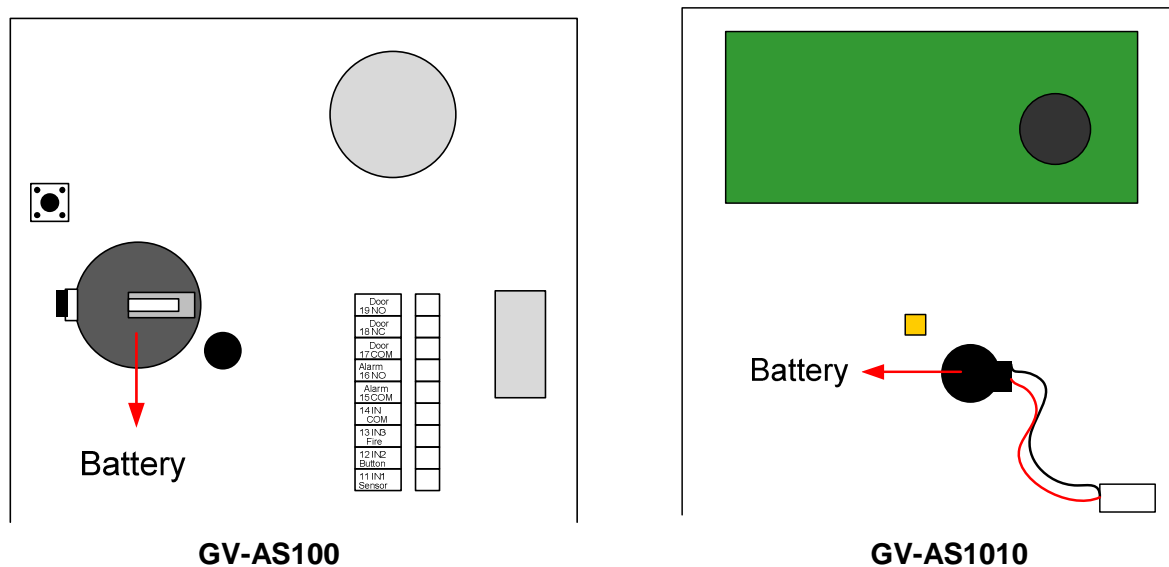


Figure 1-14

Note:

1. Make sure the plastic insulation film under the battery is removed.
2. It is recommended to replace the battery annually. GV-AS100 uses a 3V lithium battery that can be purchased on your own. For GV-AS1010, contact your sales representative to acquire replacement batteries designated for GV-AS1010.

1.2.7 Using the Function Keys (GV-AS1010 Only)

GV-AS1010 comes with four function keys for time and attendance records. On the Web interface of GV-AS1010, you can define function keys. Refer to the *Function Key* section in Chapter 8.

Before employees present their access card to GV-AS1010, they can press the function keys to indicate the card swipe is the start or end of Work Time, Away, Overtime, Break Time or Job Code. You can look up the attendance data in GV-TAWeb. Refer to the *GV-TAWeb for Workforce Schedule and Payroll* chapter in *GV-ASManager User's Manual* for details.

On the Web interface of GV-AS1010, you can specify whether or not the door or elevator call button will unlock when an access card is presented after a function key is pressed. Refer to the *Function Key Configuration* section in Chapter 8 to see the related settings.



Figure 1-15

Note: When using GV-AS1010 firmware V1.0, presenting the access card after pressing a function key will not unlock the door or elevator call button. The user will need to present the access card again to gain access.

1.3 Programming Mode

After powering on GV-AS100, you must create a Master Card first. It is required to present the Master Card and enter its PIN code every time before programming GV-AS100.

For GV-AS1010, you must create two cards first, an Enroll Card and a Delete Card. The Enroll Card is used for adding new cards and the Delete Card is used for deleting cards. Either card will allow you to program the various configurations on GV-AS1010.

Note: Cards complying with ISO 14443A standard for smart card technology can be formatted as Master Card, Enroll Card or Delete Card. Only one Master Card can be created.

To create a Master Card for GV-AS100:

1. Power on the unit. The LCD displays **Enter Master Card**.
2. Present a card to be the Master Card. The LCD displays **Master PIN Code: 1234**.
3. Keep the default PIN code as 1234, and press **#**. The LCD displays **Succeed**.

Alternatively, you can press any four digits on the keypad to change the default value. The double confirmation of the new PIN code is required. After this, the LCD should display the message of success.

After the Master Card is created, GV-AS100 will run a self test and display the message "Master Memory Test". After it is finished, you can see the message of GV-AS100 online or offline followed by a date and time. Then you can start programming GV-AS100.

To create a Enroll Card and a Delete Card for GV-AS1010:

1. Power on the unit. The LED flashes blue.
2. Present a card to be the Enroll Card.
3. Present a card to be the Delete Card.

After 1 to 2 minutes, the LED should be a constant blue light to indicate READY.

The table below shows the codes to start various programming and display system information.

Code	Function
* 227 (* CAR)	Accesses the Card Manager function.
* 276 (* ARM)	Accesses Security Mode.
* 347 (* DIS)	Displays system information.
* 738 (* SET)	Accesses parameter settings.
* 737 (* RES)	Restores GV-AS100 / 1010 to factory defaults.
* 837 (* TES)	Tests numeral keys to see if they can be displayed properly.

Before programming GV-AS100 / 1010, you also need to know the following keys.

Key	Function
*	Used to cancel the selection, or go back to the previous page.
#	Used to save the data that was modified or programmed in the system and quit.
0	Used to go to the next page.

1.3.1 Quick Reference of Programming Table

GV-AS100

Card Manger				
	Add New Card	1) N, 2) A, 3) B, 4) S		
	Del Card Data			
	Reset Card's APB			
Display System				
	Door's Auth Mode			
	Door's Event			
	ASBox Comm. State			
	Memory's State			
	ID & IP Address			
	Display Version			
Set Parameter				
	Set Local Time			
	Set AS100 ID			
	Set Auth. Mode			
		Auth. Schedule		
		Fixed Card Mode		
		Fixed Card + PIN		
		Fixed Card Common		
		Local Unlock Mode		
		Local Lock Mode		
	AS100 Function			
		GV-ASBox		
		Control Type	Door Entry Type	Anti-Passback
			Door Exit Type	Anti-Passback
			Parking Entry Type	Anti-Passback
			Parking Exit Type	Anti-Passback
			Elevator Control	
	Master PIN Change			
	Local Rest Time			
	Set Held Open Time			
	Set Alarm Event			
		Held Open Alarm		
		Force Open Alarm		
		Fire Alarm		
		Tamper Alarm		
		Access Denied		
	Set Fire Action			
		Unlock Door/Gate		
		Lock Door/Gate		
		Unchanged		
	Set Contact Type			
		Door/Car Sensor		
		Door/Gate Button		
		Fire Sensor		

GV-AS1010

Card Manger		
	Reset Card's APB	
Display System		
	Door's Auth Mode	
	Door's Event	
	Memory's State	
	ID & IP Address	
	Display Version	
Set Parameter		
	Set Local Time	
	Set AS1010 ID	
	Set AS1010 IP	
	Set Auth. Mode	
		Auth. Schedule
		Fixed Card Mode
		Fixed Card + PIN
		Fixed Card Common
		Local Unlock Mode
		Local Lock Mode
	AS1010 Function	
		Door Entry Type
		Anti-Passback
		Door Exit Type
		Anti-Passback
		Parking Entry Type
		Anti-Passback
		Parking Exit Type
		Anti-Passback
		Elevator Control
	Enroll Pin Change	
	Delete Pin Change	
	Local Rest Time	
	Set Held Open Time	
	Set Alarm Event	
		Held Open Alarm
		Force Open Alarm
		Fire Alarm
		Tamper Alarm
		Access Denied
		Tailgating Alarm
	Set Fire Action	
		Unlock Door/Gate
		Lock Door/Gate
		Unchanged
	Set Contact Type	
		Door/Car Sensor
		Door/Gate Button
		Fire Sensor
	Set Function Key	
		Set F1
		Set F2
		Set F3
		Set F4
		Work Time (Start/End), Away (Start/End), Overtime (Start/End), Break Time(Start/End), Job Code (Start/End)

Note: Tailgating alarm function is currently not functional.

1.3.2 Adding and Deleting a Card

Note:

1. GV-ASManager cannot manage the cards enrolled on GV-AS100 / 1010, since the card data will not be transmitted to GV-ASManager.
 2. The cards added through GV-ASManager cannot be deleted on GV-AS100 / 1010.
-

1.3.2.A Adding a Card

Up to 1,000 cards can be enrolled on GV-AS100 / 1010 directly without additional software. When working with GV-ASManager, GV-AS100 / 1010 can support up to 40,000 cards.

GV-AS100

1. Press the code ***227** (*CAR).
2. Present the Master Card and enter its PIN code. The LCD displays **Add New Card**.
3. Press **#**. The LCD displays **Enter New Card**.
4. To add a card, you can either press the card number or present the card to the unit. The LCD displays the card number and these options: **1)N 2)A 3)B 4)S**.

N stands for a normal card; **A** stands for a two-person A card; **B** stands for a two-person B card; **S** stands for a security card.
5. Select a card type, and enter and confirm a PIN code for the new card.
The LCD displays **Store New Card, 1. Yes? 2. No?**.
6. Press **1** to save and exit.

GV-AS1010

1. Present the Enroll Card and enter its PIN code. The LCD displays **Enter New Card**.
2. To add a card, you can either press the card number or present the card to the unit. The LCD displays the card number and these options: **1)N 2)A 3)B 4)S**.

N stands for a normal card; **A** stands for a two-person A card; **B** stands for a two-person B card; **S** stands for a security card.
3. Select a card type, and enter and confirm a PIN code for the new card.
The LCD displays **Store New Card, 1. Yes? 2. No?**.
4. Press **1** to save and exit.

1.3.2.B Deleting a Card

GV-AS100

1. Press the code ***227** (*CAR).
2. Present the Master Card and enter its PIN code. The LCD displays **Add New Card**.
3. Press **0**. The LCD displays **Del Card Data**.
4. Press **#**. The LCD displays **Enter Del Card**.
5. You can either press the card number or present the card to the unit.
The LCD displays: **Delete, 1. Yes? 2. No?**.
6. Press **1** to save and exit.

GV-AS1010

1. Present the Delete Card and enter its PIN code. The LCD displays **Enter Del Card**.
2. You can either press the card number or present the card to the unit.
The LCD displays: **Delete, 1. Yes? 2. No?**.
3. Press **1** to save and exit.

1.3.3 Resetting the APB Function

You can reset the anti-passback (APB) function of a card to allow a user to re-access the entry or exit reader.

1. Press the code ***227** (*CAR).
2. Present the Master Card or Enroll/Delete Card, and enter its PIN code. The LCD displays **Add New Card**.
3. Press **0** several times. The LCD displays **Reset Card's APB**.
4. Press **#**. The LCD displays **Enter Card**.
5. You can either press the card number or present the card to the unit.
The LCD displays: **Reset, 1. Yes? 2. No?**.
6. Press **1** to save and exit.

1.3.4 Accessing the Security Mode

The security mode is used to arm GV-AS100 / 1010. In the arm mode, no cards can be granted access and no one can program the unit. Only the security card that is associated with a PIN code can be used to disarm the unit.

1.3.4.A Enabling the Security Mode

Before you can access the security mode, you need to create a security card first.

1. To create a security card, follow the steps 1 to 4 in *1.3.2.A Adding a Card*, select **4)S** as card type and create a PIN code for the security card.
2. To access security mode, press the code ***276 (*ARM)**.

The LCD displays **Start Arm? Enter PIN Code**.

3. Press the PIN code of the security card.

The LCD displays **Start Arm? Enter Security Card**.

4. Present the security card. The security mode is enabled.

1.3.4.B Disabling the Security Mode

To disable the security mode, press any key, enter the PIN code of the security card and present the security card.

1.3.5 Setting Parameters

You can define the parameters of some features on GV-AS100 / 1010.

IMPORTANT: Once connecting to GV-AS100 / 1010, GV-ASManager will load its parameters to GV-AS100 / 1010. That means some of the parameters you set up here may be overwritten by GV-ASManager later.

1. Press the code ***738** (***SET**).
2. Present the Master Card and enter its PIN code. The LCD displays **Set Local Time**.
3. Press **0** to change the options. Press **#** to select the option for further programming.

Option	Function
Set Local Time	Sets the time, time zone and enables daylight saving.
Set AS100 / 1010 ID	Sets the ID of GV-A100 / 1010 from 1 to 255.
Set AS1010 IP	Sets the IP of GV-AS1010. (GV-AS1010 only)
Set Auth. Mode	<p>Sets an authentication mode for the door/gate.</p> <ul style="list-style-type: none"> ■ Auth. Schedule: Follows the authentication schedule set on GV-ASManager. ■ Fixed Card Mode: Grants access after the card is presented. Ignores the authentication schedule of GV-ASManager. ■ Fixed Card + PIN: Grants access after the user presents the card and then enters the card's PIN code. Ignores the authentication schedule of GV-ASManager. ■ Fixed Card/Common: Grants access after the user presents the card or enters the door's password. Enter the door's password after the LCD displays Common Password. Ignores the authentication schedule of GV-ASManager. ■ Local Unlock Mode: Remains open. The held-open state cannot be cleared through GV-ASManager. ■ Local Lock Mode: Remains locked. The locked state cannot be cleared through GV-ASManager.

AS100 / 1010 Function	<ul style="list-style-type: none"> ■ GV-ASBox: Enables or disables the connection to GV-ASBox / GV-ASNet. (GV-AS100 only) ■ Control Type: <ul style="list-style-type: none"> ⊙ Door Entry Type: Sets GV-AS100 / 1010 as entry reader of a door. ⊙ Door Exit Type: Sets GV-AS100 / 1010 as exit reader of a door. ⊙ Parking Entry Type: Sets GV-AS100 / 1010 as entry reader of a parking gate. ⊙ Parking Exit Type: Sets GV-AS100 / 1010 as exit reader of a parking gate. ⊙ Elevator Type: GV-AS100 / 1010 reader is installed in the elevator for access control. ■ Anti-Passback: Enables or disables the Anti-Passback function.
Master PIN Change	Changes the PIN code of the Master Card. (GV-AS100 only)
Enroll Pin Change	Changes the PIN code of the Enroll Card. (GV-AS1010 only)
Delete Pin Change	Changes the PIN code of the Delete Card. (GV-AS1010 only)
Local Rest Time	Sets the time (1 to 255 sec.) that a door/gate remains open after which the door will automatically be locked.
Set Held Open Time	Sets the time (5 to 9999 sec.) that a door/gate can be held open before an alarm is generated.
Set Alarm Event	Enables or disables the alarm settings.
Set Fire Action	Locks or unlocks the door/gate, or remains the current state when a fire condition occurs.
Set Contact Type	Sets the inputs to be normally open (NO) or normally closed (NC).
Set Function Key	Define the function keys to indicate the start time or end time of the attendance activities below (GV-AS1010 only): Work Time, Away, Overtime, Break Time, Job Code.

Note: The **Parking Entry Type** and **Parking Exit Type** only work when the sensor input of Car Detection is activated. When the card is present but the sensor inputs are not activated, the message “No Car In Zone” will appear in the GV-AS100 / 1010’s LCD.

1.3.6 Displaying System Information

To display system information, press the code *347 (*DIS).

Option	Function
Door's Auth. Mode	Displays the authentication mode of the door.
Door's Event	Displays what kind of event happened at the door.
ASBox Comm. State (GV-AS100 only)	<p>Displays the connection status with GV-ASBox / GV-ASNet.</p> <ul style="list-style-type: none"> ■ User Disenable: The connection to GV-ASBox / GV-ASNet is not enabled. ■ Comm. Fail: The connection to GV-ASBox / GV-ASNet failed. ■ Comm. Normal: The connection to GV-ASBox / GV-ASNet succeeded.
Memory's State	<p>Displays the memory usage of GV-AS100 / 1010.</p> <ul style="list-style-type: none"> ■ Capacity: Displays the total number of events that can be recorded on GV-AS100 / 1010. The maximum number is 65536. GV-AS100 / 1010 will overwrite the oldest events when the limit is reached. When GV-AS100 / 1010 is connected to GV-ASManager, the event data will be uploaded to the server and the buffer of GV-AS100 / 1010 will be cleared. ■ Stored: Displays the number of events that has been recorded.
ID & IP Address	Displays the ID and IP address of GV-AS100 / 1010.
Display Version	Displays the firmware version of GV-AS100 / 1010.

1.3.7 Restoring Factory Defaults

The restore function is used to clear all configured options and cards from GV-AS100 / 1010 memory and bring back the unit to factory defaults.

IMPORTANT: Restoring default settings will delete all cards enrolled on GV-AS100 / 1010.

1. Press the code ***737** (*RES).
2. Present the Master Card or Enroll / Delete Card and enter PIN Code.
The LCD displays **Default Setting 1. Yes? 2. No?**.
3. Press **1**. The LCD displays **Default Setting Memory Test...**
4. When the unit returns to factory defaults, the LCD displays **Enter Master Card**.

1.4 Web-Based Configurations

GV-AS100

Through GV-ASBox or GV-ASNet, GV-AS100 can communicate with GV-ASManager over the network. Using GV-ASBox or GV-ASNet, you can also access the Web interface of GV-AS100.

Refer to *Chapter 9 Optional Devices* to see how to connect a GV-ASBox or GV-ASNet and how to access the Web interface of GV-AS100.

GV-AS1010

GV-AS1010 can communicate with GV-ASManager over the network. The network interface also allows you to access the Web interface of GV-AS1010.

Refer to *Chapter 7 Installing on a Network* for detailed instructions on setting a fixed or dynamic IP address to access GV-AS1010.

Refer to *Chapter 8 The Web Interface* for details on the setup pages of the Web interface. Through the Web interface, you can configure general settings, input/output devices, associated doors/gates and connected readers.

2. GV-AS110 / 1110 Controller

2.1 Introduction

GV-AS110 / 1110 is a single door controller with a built-in reader. You can connect one more card reader to GV-AS110 and up to two more card readers to GV-AS1110 for entry and exit applications. GV-AS110 comes with built-in RS-485 and Wiegand interface, while GV-AS1110 comes with TCP/IP network port.

GV-AS110 / 1110 has the capability to store up to one thousand cards under standalone mode and up to 40,000 cards when connected to GV-ASManager. Programming of GV-AS110 / 1110 can be done either on the keypad or from the software GV-ASManager.

An economic solution for access control, GV-AS110 / 1110 is suitable for controlling doors, parking gates and access to elevator call buttons.

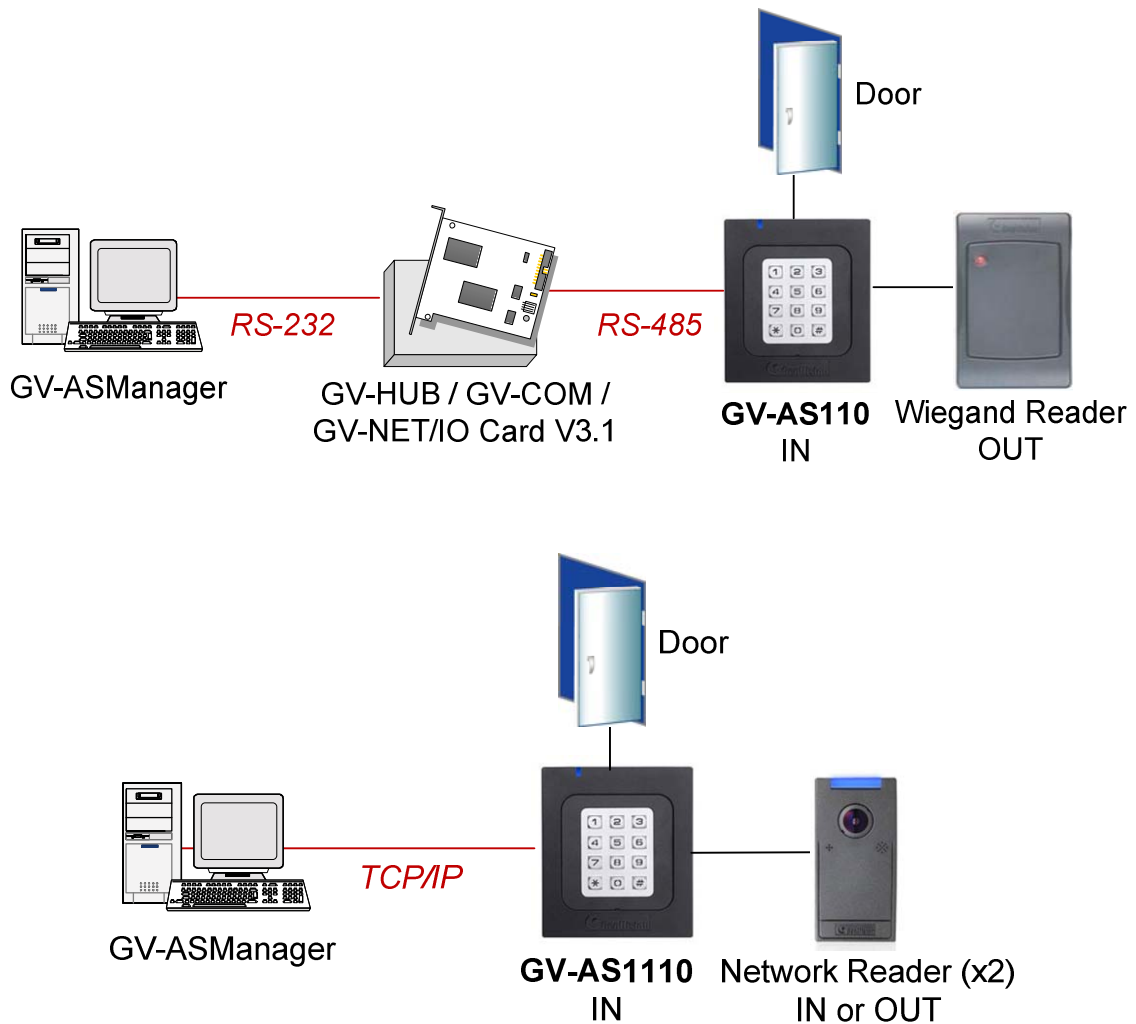


Figure 2-1

GV-AS110 can make network connection to GV-ASManager using the optional GV-ASBox or GV-ASNet. With GV-ASBox, two-door control is also possible as illustrated below.

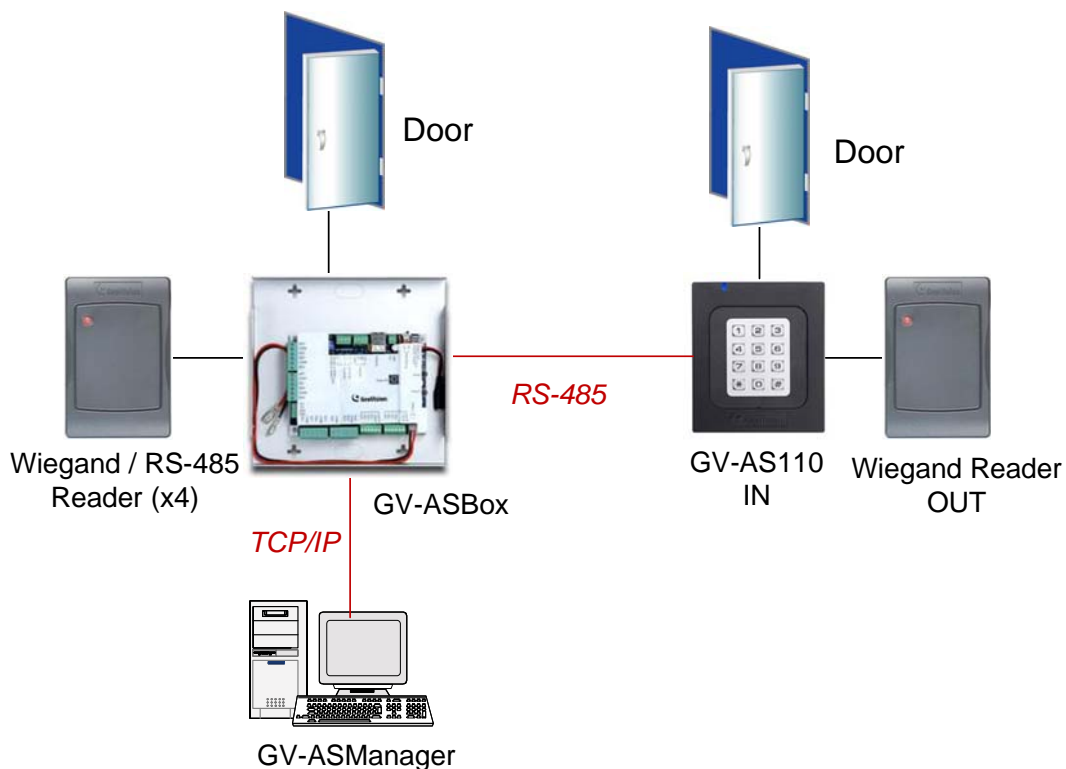


Figure 2-2 Through GV-ASBox

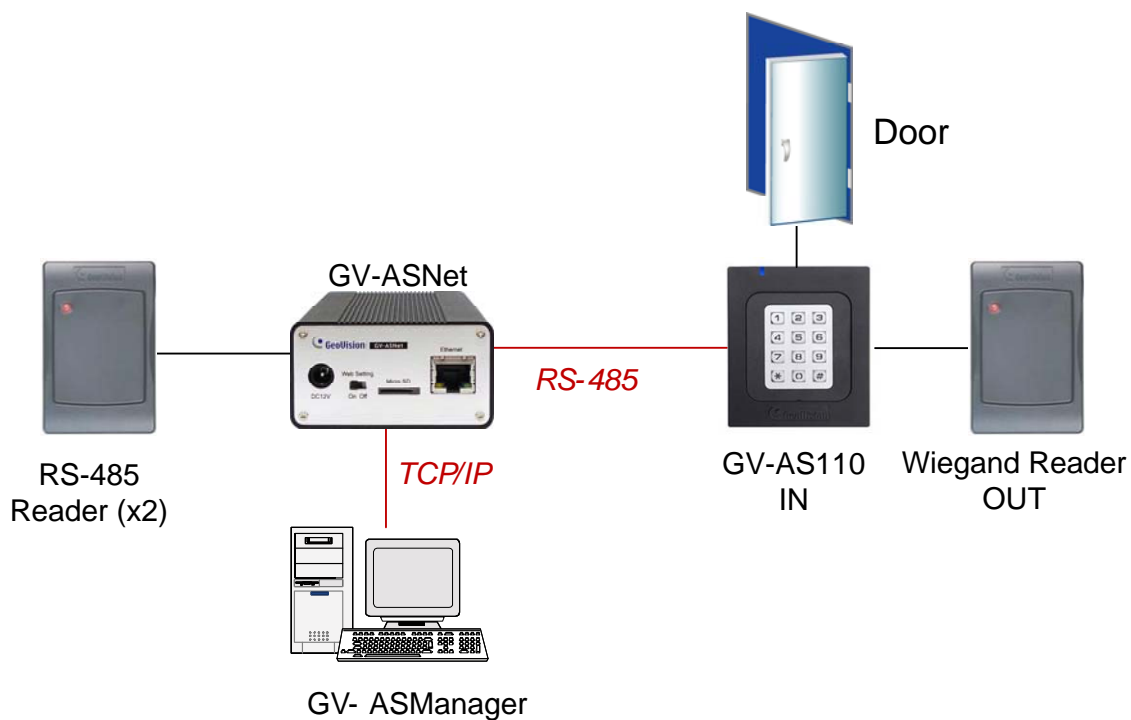


Figure 2-3 Through GV-ASNet

2.1.1 Main Features

GV-AS110

- 1 door (one-way and two-way control), expandable to 2 doors with optional GV-ASBox
- 1,000 / 40,000 cards (standalone / networked or RS-485 mode)
- Easy programming from keypad
- Built-in 3 digital inputs and 2 relay outputs
- 1 Wiegand output (26 ~ 64 bits) for extra reader programming
- Built-in 13.56 MHz Reader
- Built-in tampering alarm sensor
- IP54-compliant housing
- Anti-Passback (APB) support

GV-AS1110

- 1 door (one-way and two-way control)
- 1,000 / 40,000 cards (standalone / networked mode)
- Easy programming from keypad
- Built-in 2 digital inputs and 1 relay outputs
- 1 network interface for connection with GV-ASManager and TCP/IP reader
- Built-in 13.56 MHz Reader
- Built-in tampering alarm sensor
- Weather-proof and IP66-compliant housing (for outdoor use)
- Anti-Passback (APB) support

2.1.2 Packing List

GV-AS110

- GV-AS110
- Power Adaptor 12V DC / 1.25A
- Power Cord
- Screw x 2
- Screw Anchor x 2
- Front Cover Plate x 2
- Enroll Card
- Delete Card
- GV-AS ID F Card x 20
- Download Guide
- Warranty Card

GV-AS1110

- GV-AS1110
- Power Adaptor 12V DC / 1.25A
- DC Wire
- Screw x 2
- Screw Anchor x 2
- Front Cover Plate x 2
- Enroll Card
- Delete Card
- GV-AS ID F Card x 20
- Software CD
- Warranty Card

2.2 Installation

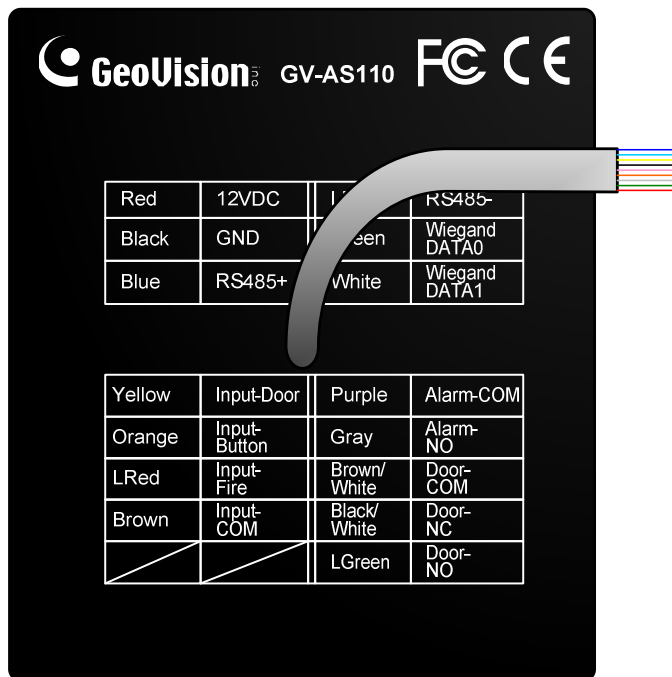
The wire assignment of the GV-AS110 cable data are illustrated below.

Front View



Figure 2-4

Rear View



GV-AS110

Wire color	Definition
Red	12V DC
Black	GND
Green	Wiegand Data 0
White	Wiegand Date 1
Blue	RS485+
Light Blue	RS485-
Yellow	Door Sensor IN1
Orange	Button IN2
LRed	Fire Sensor IN3
Brown	IN COM (GND)
Purple	Alarm COM
Gray	Alarm NO
Brown White	Door COM
Black White	Door NC
Light Green	Door NO

Figure 2-5



GV-AS1110

Wire color	Definition
Red	7.5V~12V DC
Black	GND
Green	IN COM
Blue	IN1 (Sensor)
Purple	IN2 (Button)
Brown	Door Com
Yellow	Door NC
Orange	Door NO

Figure 2-6

2.2.1 Connecting Card Readers

2.2.1.A Wiegand Readers (GV-AS110 Only)

GV-AS110 provides one Wiegand input for connection to the Wiegand reader ranging from 26 to 64 bits. Through the GV-AS110 keypad, you can set the Wiegand reader as the entry or exit reader. To define the reader, see the **Door/Gate Function** option in 2.3.2 *Programming the GV-AS110 / 1110*.

Note: Wiegand connection is not supported for GV-AS1110.

The table below shows the wire assignments of the Wiegand input on GV-AS110. Please consult the documentation of your Wiegand reader for wiring. You will need to set up a separate power source to power the Wiegand reader.

Wire color	Definition
Green	Wiegand Data 0
White	Wiegand Date 1

2.2.1.B Network Readers (GV-AS1110 Only)

GV-AS1110 supports network port for network connection with GV-CR420 and GV-GF1921 / 1922. Through the GV-AS1110 keypad, you can set the network reader as the entry or exit reader. To define the reader, see the **Door/Gate Function** option in 2.3.2 *Programming the GV-AS1110 / 1110*.

Note:

1. Network connection with reader is not supported for GV-AS110.
 2. GV-AS1110 does not support network connection with GV-GF1911 / 1912.
-

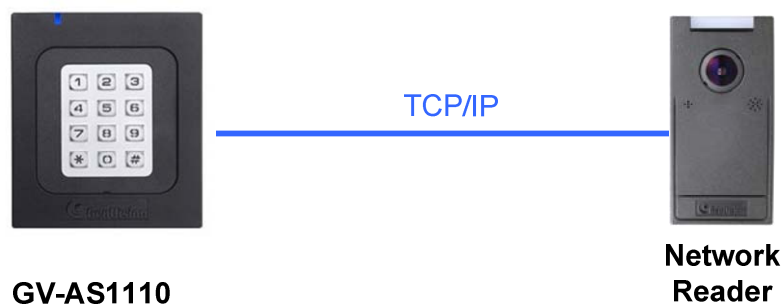


Figure 2-7

2.2.2 Connecting Input Devices

GV-AS110 supports 3 types of inputs, while GV-AS1110 supports 2 types of inputs.

1. **GV-AS110 / 1110:** Sensor inputs, e.g. door status sensor
2. **GV-AS110 / 1110:** Button inputs, e.g. door opener
3. **GV-AS110 only:** Fire Sensor inputs, e.g. fire detector

All inputs are **dry contact** and can be configured as normally open (NO) or normally closed (NC) through the keypad. The default value is **NO**. To change the input status, see the **Select Input Contact Type** option in *2.3.2 Programming the GV-AS110 / 1110*.

The tables below show the wire assignments of input connectors on GV-AS110 and GV-AS1110.

GV-AS110

Wire color	Definition
Yellow	Door Sensor IN1
Orange	Button IN2
LRed	Fire Sensor IN3
Brown	IN COM (GND)

GV-AS1110

Wire color	Definition
Green	IN COM (GND)
Blue	Door Sensor IN1
Purple	Button IN2

2.2.3 Connecting Output Devices

GV-AS110 supports 2 types of outputs, while GV-AS1110 supports 1 type of output:

1. **GV-AS110 only:** Alarm outputs, e.g. siren or bell
2. **GV-AS110 / 1110:** Door outputs, e.g. electronic lock

The table below shows the wire assignments of output connectors on GV-AS110 and GV-AS1110.

GV-AS110

Wire color	Definition
Purple	Alarm COM
Gray	Alarm NO
Brown & White	Door COM
Black & White	Door NC
Light green	Door NO

GV-AS1110

Wire color	Definition
Brown	Door A Com
Yellow	Door A NC
Orange	Door A NO

Check if your output device meets the following absolute maximum ratings before connecting it to the Door outputs.

Breakdown Voltage	250V AC, 220V DC
Continuous Load Current	1A (30V DC), 0.3A (125V AC)
<p>Note: Absolute Maximum Ratings are those values beyond which damage to GV-AS110 / 1110 circuit board may occur. Continuous operation of GV-AS110 at the absolute rating level may affect GV-AS110 / 1110's reliability.</p>	

To connect an output device:

The example below illustrates the connection of a locking device to GV-AS110 / 1110. Connect the (+) point on the locking device to the Door COM wire on GV-AS110 / 1110, connect the two (-) points of the locking device and the external power supply together, and connect the (+) point on the external power supply to the Door NO or Door NC wire on GV-AS110 / 1110 based on the state of the locking device.

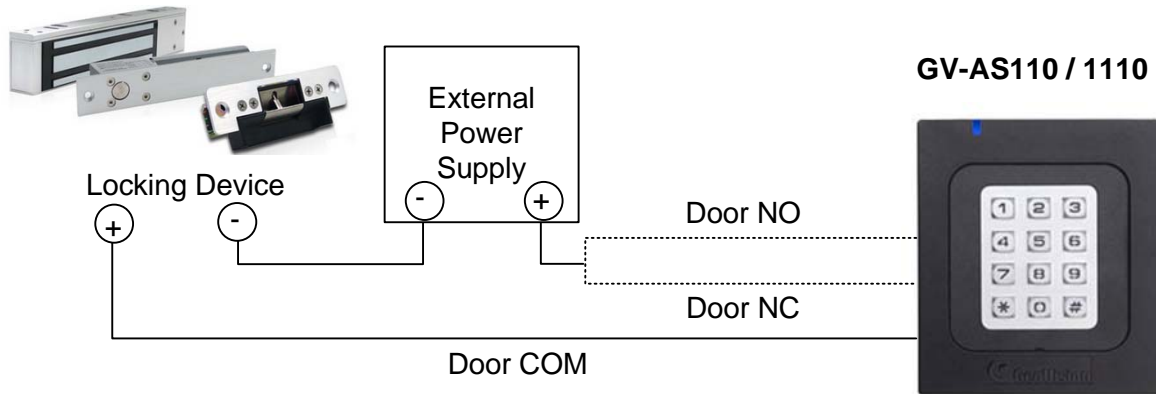


Figure 2-8

2.2.4 Connecting to the PC

Connecting GV-AS110 / 1110 to a computer allows you to access its Web interface and connect it to GV-ASManager if the computer is installed with GV-ASManager. The computer running GV-ASManager software can be used to monitor the access information and alarm messages from the controller. The communication link between the computer and GV-AS110 / 1110 is as below:

GV-AS110: RS-485 connection or network connection

- RS-485 connection: a RS-485 to RS-232 converter is required
- Network connection: an optional GV-ASBox or GV-ASNet is required

GV-AS1110: Network connection

2.2.4.A Connecting GV-AS110 to PC

RS-485 Connection between GV-AS110 and PC

The figure below illustrates the RS-485 connection between GV-AS110 and the computer. For this connection, a RS-485 to RS-232 converter between GV-AS110 and the computer is required. You can use GV accessories, such as GV-Hub, GV-COM and GV-NET/IO Card, as the RS-485/RS-232 converter.

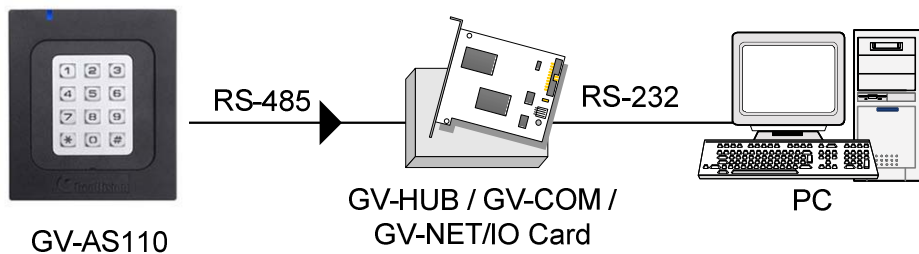


Figure 2-9

The table shows the wire assignments of RS-485 connection on GV-AS110.

Wire color	Definition
Blue	RS485+
Light Blue	RS485-

Note: When connecting multiple GV-AS110 through RS-485 connection, you can use the keypad on GV-AS110 to program every unit's ID. See 2.3.2 *Programming the GV-AS110 / 1110*.

Network Connection between GV-AS110 and PC

The figure below illustrates the network connection between GV-AS110 and the computer. For this connection, a GV-ASBox or GV-ASNet is required.

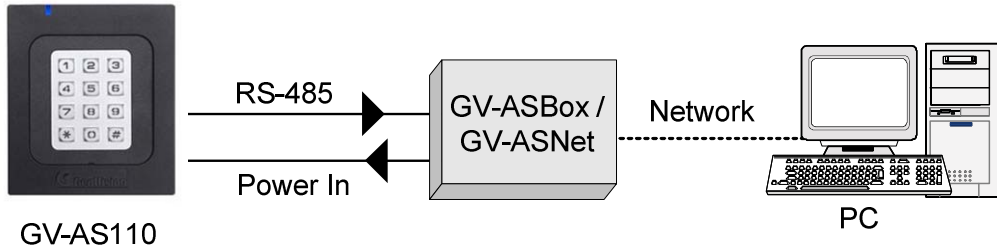


Figure 2-10

Connect two power wires and two RS-485 wires from GV-AS110 to GV-ASBox / GV-ASNet. The table below shows the wire assignments of RS-485 connection on GV-AS110.

Wire color	Definition
Red	12V
Black	GND
Blue	RS485 +
Light Blue	RS485 -

See 9.1.4.A Connecting GV-AS100 / 110 / 120 or 9.2.4.A Connecting GV-AS100 / 110 / 120 to see how to connect to GV-ASBox or GV-ASNet.

2.2.4.B Connecting GV-AS1110 to PC

The figure below illustrates the network connection between GV-AS1110 and the computer.

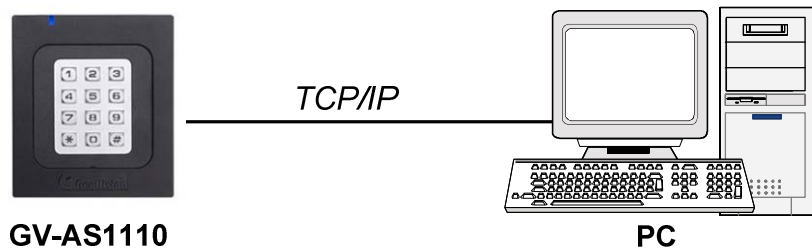


Figure 2-11

Note: GV-AS1110 is only compatible with GV-ASManager V4.2.3 or later.

2.2.5 Connecting the Power

The supplied AC adaptor can be connected to any power source supplying from 100 to 240V. Connect 12V and GND wires to the supplied power adapter and then connect the power adapter to a power source. The table below shows the pin assignments of the power connectors on GV-AS110 and GV-AS1110.

Wire color	GV-AS110 Definition	GV-AS1110 Definition
Red	12V DC	7.5V ~12V DC
Black	GND	GND

Note: Power should only be applied to the unit when all connections are completed and tested.

2.3 Programming Mode

After powering on GV-AS110 / 1110, you must create two cards first, an Enroll Card and a Delete Card. The Enroll Card is used for adding new cards and the Delete Card is used for deleting cards. Either card will allow you to program the various configurations on GV-AS110 / 1110.

Note: Cards complying with ISO 14443A standard for smart card technology can be formatted as an Enroll Card or Delete Card.

To create the Enroll Card and the Delete Card:

1. Power on the unit. The LED flashes blue.
2. Present a card to be the Enroll Card.
3. Present a card to be the Delete Card.

After 1 to 2 minutes, the LED should be a constant blue light to indicate READY.

2.3.1 Adding and Deleting Cards

Using the two cards, you can add new cards to GV-AS110 / 1110 and delete existing cards on GV-AS110 / 1110.

Note:

1. GV-ASManager cannot manage the cards enrolled on GV-AS110 / 1110, since the card data will not be transmitted to GV-ASManager.
 2. The cards added through GV-ASManager cannot be deleted on GV-AS110 / 1110.
-

2.3.1.A Adding a Card

Up to 1,000 cards can be enrolled on GV-AS110 / 1110 directly without needing additional software. When working with GV-ASManager software, GV-AS110 / 1110 can support up to 40,000 cards.

1. Present the Enroll Card.
2. Enter a 4-digit PIN code for the new card, reenter the same 4-digit PIN code and then enter the command code for a desired type of card listed below. The LED will blink green and red for about 10 seconds. You must finish entering the PIN code twice and the card command code within the 10 seconds.

Code	Types of Cards	Description
0	Normal Card	The door unlocks after a card is presented. Normal Cards will not be granted access when Two Person Entrance/Exit or Security Mode is enabled.
1	Two-person A Card	In the Two Person Entrance/Exit mode, the door unlocks only when two-person B card is also presented together.
2	Two-person B Card	In the Two Person Entrance/Exit mode, the door unlocks only when two-person A card is also presented together.
3	Security Card	The Security Card is used for launching the Security Mode, in which no cards can be granted access and no one can program the unit. Only the Security Card will be able to disable the Security Mode.

3. Present the card you want to add to the GV-AS110 / 1110.
4. The GV-AS110 / 1110 will produce a long beep if the card has been added successfully and three short beeps if the adding procedure has failed.

If you do not want to customize a password, you can simply present the Enroll Card and then present the card you would like to add. The default password will be 1234 and the card will automatically be set to a Normal Card.

2.3.1.B Deleting a Card

1. Present the Delete Card.
2. Present the card you want to delete.
3. The GV-AS110 / 1110 will produce a long beep if the card has been deleted successfully and three short beeps if the deleting procedure has failed.

2.3.2 Programming the GV-AS110 / 1110

The command codes used to program various functions on GV-AS110 / 1110 are listed below. All command codes will start with an asterisk * to clear all previous commands and end with a number sign # to send the command. After typing the command code, present the Enroll Card or the Delete Card.

IMPORTANT: Once connecting to GV-AS110 / 1110, GV-ASManager will load its parameters to GV-AS110 / 1110. That means some of settings you program here may be overwritten by GV-ASManager later.

Function	Command Code	Description
Set Password	*779_ _ _ _ _ # 4-8 digits	You can set a password to open the door using this password. The Authentication Mode must be set to Fixed Card/Common mode. Refer to the Set Authentication Mode function below. For example, to set the door's password as 12345, press *77912345# on the keypad.
Lock Reset Time	*578_ _ _ # 1-255 seconds	Sets a time that the door/gate will remain open after which the door will automatically be locked. For example, to set the lock reset time to be 120 seconds, press *578120#
Held Open Time	*468_ _ _ _ # 5-9999 seconds	Sets the time that a door/gate can be held open before an alarm is generated. If the number of seconds is less than 4 digits, add zeros in front of the number to make it 4 digits. For example, to set the held open time to be 180 seconds, enter *4680180#
Set Fire Action (GV-AS110 only)	*732_# Unchanged→0 Unlock Door→1 Lock Door→2	This function locks or unlocks the door/gate, or maintains the current status when a fire emergency occurs. For example, to unlock door during a fire emergency, press *7321#
Local Anti-Passback	*527_# 0→Disable 1→Enable	Local Anti-passback prevents card sharing by not allowing a card to go through an entry twice before first exiting. For example, to enable Local Anti-passback, press *5271#

<p>Set Alarm Event</p>	<p>*723_ _ _ # Held Open → 0 Forced Open → 1 Tamper → 2 Fire Alarm → 3 Access Denied → 4 Alarm Time → 1-10 sec</p>	<p>For the first blank digit, enter a number from options 0 to 4. For the second blank digit, type 1 to enable the option and 0 to disable the option. For the third and fourth blank digits, type the number of seconds the alarm will sound. For example, to enable the fire alarm for 3 seconds, press *7233103#</p>
<p>Door/Gate Function</p>	<p>*343_# Door Entry Type→0 Parking Entry Type→1 Door Exit Type→2 Parking Exit Type→3 Elevator Type→4</p>	<ul style="list-style-type: none"> ■ Door Entry Type: Sets GV-AS110 / 1110 as entry reader of a door. The Wiegand reader connected will be set as exit reader. ■ Parking Entry Type: Sets GV-AS110 / 1110 as entry reader of a parking gate. ■ Door Exit Type: Sets GV-AS110 / 1110 as exit reader of a door. The Wiegand reader connected will be set as entry reader. ■ Parking Exit Type: Sets GV-AS110 / 1110 as exit reader of a parking gate. ■ Elevator Type: GV-AS110 / 1110 reader is installed in the elevator for access control. <p>For example, to set the GV-AS110 / 1110 as an exit reader of a door, press *3432#.</p>
<p>Set Authentication Mode</p>	<p>*526_# Schedule Mode→0 Fixed Card Mode→1 Local Lock Mode→2 Local Unlock Mode→3 Fixed Card + PIN→4 Fixed Card/Common→5</p>	<ul style="list-style-type: none"> ■ Schedule Mode: Follows the authentication schedule set on GV-ASManager. ■ Fixed Card Mode: Grants access after the card is presented. Ignores the authentication schedule of GV-ASManager. ■ Local Lock Mode: Remains locked. The locked state cannot be cleared through GV-ASManager. ■ Local Unlock Mode: Remains open. The held-open state cannot be cleared through GV-ASManager. ■ Fixed Card + PIN: Grants access after the user presents the card and then enters the card's PIN code. Ignores the authentication schedule of GV-ASManager. ■ Fixed Card/Common: Grants access after card is presented or after the door's password is entered. Ignores the authentication schedule of GV-ASManager.

		For example, to enable the Fixed Card + PIN mode, press *5264# .
Open door with card number and PIN code	*_____ (____) # Enter the 8-digit card number and enter its 4-digit PIN code.	To open the door without presenting a card, enter the 8-digit card number on the back of the individual card and its 4-digit PIN code.
Set ID	*743__ _# Enter an ID number between 0 and 255.	Set an ID number for GV-AS110 / 1110 to a number between 0 and 255. For example, to set the ID number to be 3, press *743003#
Security Mode	*276__ _ _# 4 digits PIN code of the security card.	In the Security Mode, no cards can be granted access and no one can program the unit. Only the Security Card can disable the Security Mode. To enable the Security Mode, press *276 , enter the PIN code of the Security Card and press # . Present the Security Card. To disable the Security Mode, simply press the PIN code of the Security Card and present the Security Card.
Two Person Entrance	*873_# Disable→0 Enable→1	When Two Person Entrance mode is enabled, both Two Person A Card and Two Person B Card must be presented to unlock the entrance. To enable Two Person Entrance, press *8731#
Two Person Exit	*879_# Disable→0 Enable→1	When Two Person Exit mode is enabled, both Two Person A Card and Two Person B Card must be presented to unlock the exit. To enable Two Person Exit, press *8791#
Select Input Contact Type	*426__ _ _# NO→1 NC→0	Specify the input contact type of the door sensor in the first blank digit, button in the second blank digit and fire sensor in the third blank digit. The default value is normally opened (NO). Note that the third digit (fire sensor) is not functional for GV-AS1110, so you can press either 1 or 0. For example, to set the input contact type for door sensor to be normally open (NO), button to be normally closed (NC), and fire sensor to be normally open (NO), press *426101# .
Load Default	*362#	To restore GV-AS110 to factory default, press *362# . All configured settings will be cleared and all cards will be deleted from GV-AS110 / 1110.

Note: The **Parking Entry Type** and **Parking Exit Type** only work when the sensor input of Car Detection is activated.

2.4 LED Status and Beeper

Normally, the LED on GV-AS110 / 1110 is blue during standby mode. The LED status and beeper under different conditions are listed below.

GV-AS110

Condition	LED	Beeper
Card + PIN Code Mode	Flashes blue	Silent
Card Mode	Constant blue	Silent
Release Mode	Flashes green	Silent
Force Unlock Mode	Flashes green	Silent
Fire Unlock Mode	Flashes green	Silent
Force Lock Mode	Flashes red	Silent
Fire Lock Mode	Flashes red	Silent
Security Mode enabled	Yellow	One long beep
Security Mode disabled	Returns to the LED status of the previous mode	One long beep
Tamper / Forced Open Alarm	Flashes green and red	Constant beep until alarm cancelled
Fire Alarm	Red	Constant beep until alarm cancelled
Held Open Alarm	Unchanged	Constant beep until alarm cancelled
Access Denied Alarm	Flashes red momentarily	Short beep for the number of seconds specified
Access Denied	Flashes red momentarily	Two short beeps
Access Granted	Flashes green momentarily	One short beep
Enroll Card	Flashes green momentarily	Two long beeps
Delete Card	Flashes red momentarily	Two long beeps
Enrolled/Deleted card successfully	Displays green LED momentarily	One long beep
Enroll/Delete card failed	Displays red LED momentarily	Three short beeps
Firmware update	Flashes red, green and blue	Silent
Firmware update failed	Flashes purple	Constant beep
Factory default	Flashes blue	Silent

GV-AS1110

Condition	LED	Beeper
Access Granted	Flashes green momentarily	One long beep
Access Denied	Flashes yellow momentarily	Three short beeps
Enroll Card	Flashes green / purple momentarily	One long beeps
Delete Card	Flashes yellow / purple momentarily	One long beeps
All alarms	Flashes yellow momentarily	Beeps until alarm cancelled
Ready	Blue (Connected to GV-ASManager) Purple (Disconnected from GV-ASManager)	N/A
Security Mode enabled	Yellow	N/A
Incorrect RTC time	Flashes green / orange	N/A

2.5 Web-Based Configurations

GV-AS110

Through GV-ASBox or GV-ASNet, GV-AS110 can communicate with GV-ASManager over the network. Using GV-ASBox or GV-ASNet, you can also access the Web interface of GV-AS110.

Refer to *Chapter 9 Optional Devices* to see how to connect a GV-ASBox or GV-ASNet and how to access the Web interface of GV-AS110.

GV-AS1110

GV-AS1110 can communicate with GV-ASManager over the network. The network interface also allows you to access the Web interface of GV-AS1010.

Refer to *Chapter 7 Installing on a Network* for detailed instructions on setting a fixed or dynamic IP address to access GV-AS1110.

Refer to *Chapter 8 The Web Interface* for details on the setup pages of the Web interface. Through the Web interface, you can configure general settings, input/output devices, associated doors/gates and connected readers.

3. GV-AS120 Controller

3.1 Introduction

Working as a standalone solution, GV-AS120 is a card reader and also a single door controller. It is possible to add one more card reader to GV-AS120 for entry and exit applications. GV-AS120 has the capability to store up to one thousand cards. Programming of GV-AS120 is done from the software GV-ASManager through the RS-485 connection.

An economic solution for access control, GV-AS120 is suitable for controlling doors, parking gates and access to elevator call buttons.

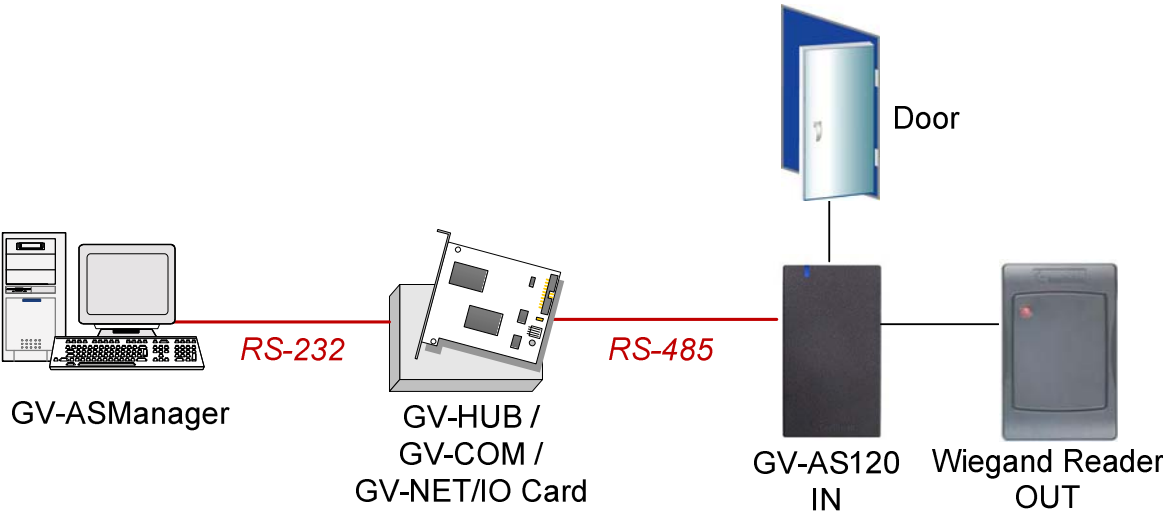


Figure 3-1

GV-AS120 can make network connection to GV-ASManager using the optional GV-ASBox or GV-ASNet. With GV-ASBox, two-door control is also possible as illustrated below.

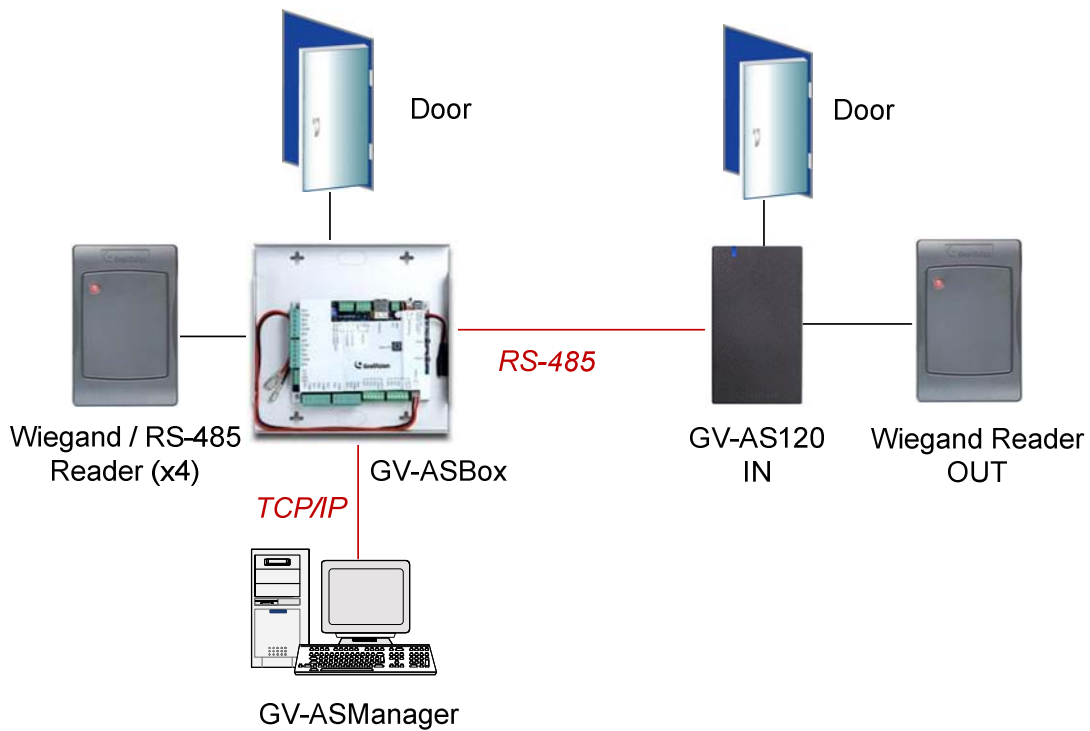


Figure 3-2 Through GV-ASBox

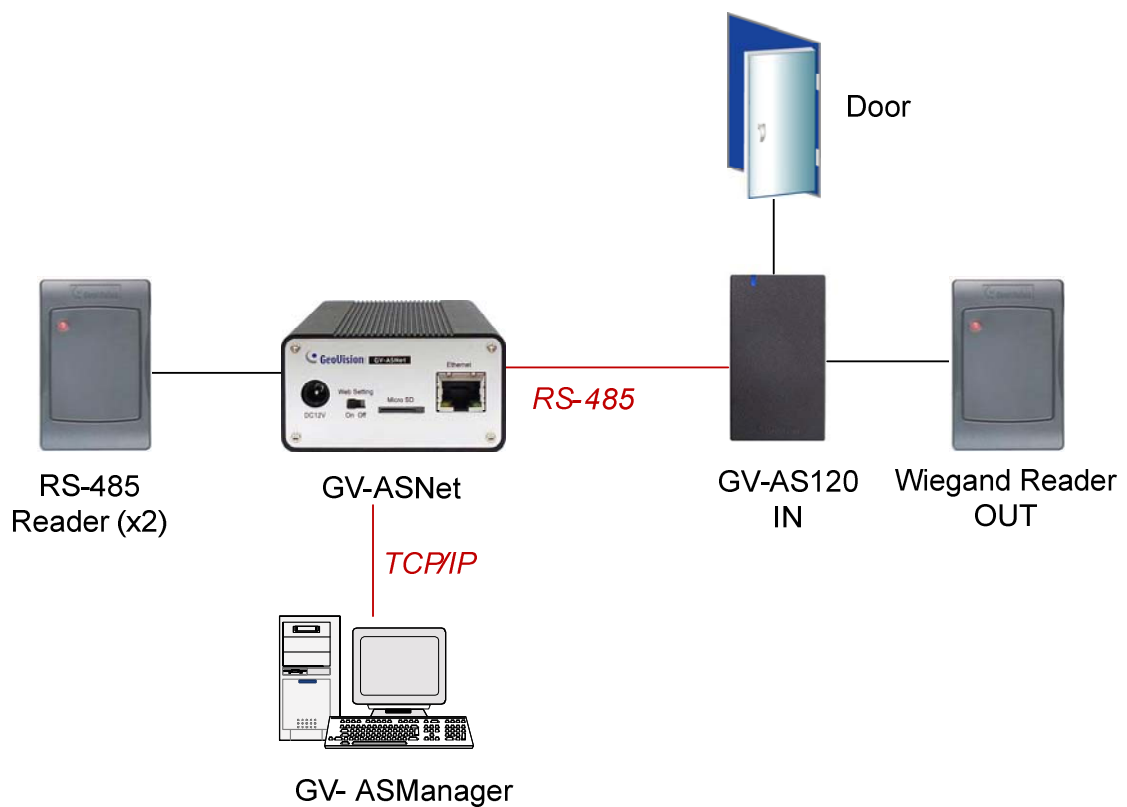


Figure 3-3 Through GV-ASNet

3.1.1 Main Features

- 1 door (one-way and two-way control), expandable to 2 doors with optional GV-ASBox
- 1,000 / 40,000 cards (standalone / networked or RS-485 mode)
- Built-in 2 digital inputs and 1 relay output
- 1 Wiegand output (26 ~ 64 bits) for extra reader programming
- Built-in 13.56 MHz Reader
- Built-in tampering alarm sensor
- Weather-proof and IP66-compliant housing (for outdoor use)

3.1.2 Packing List

- GV-AS120
- Power Adaptor 12V DC / 1.25A
- Power Cord
- Screw x 3
- Screw Anchor x 2
- Security Torx
- Enroll Card
- Delete Card
- GV-AS ID F Card x 20
- Download Guide
- Warranty Card

3.2 Installation

The wire assignment of the GV-AS120 cable data are illustrated below.

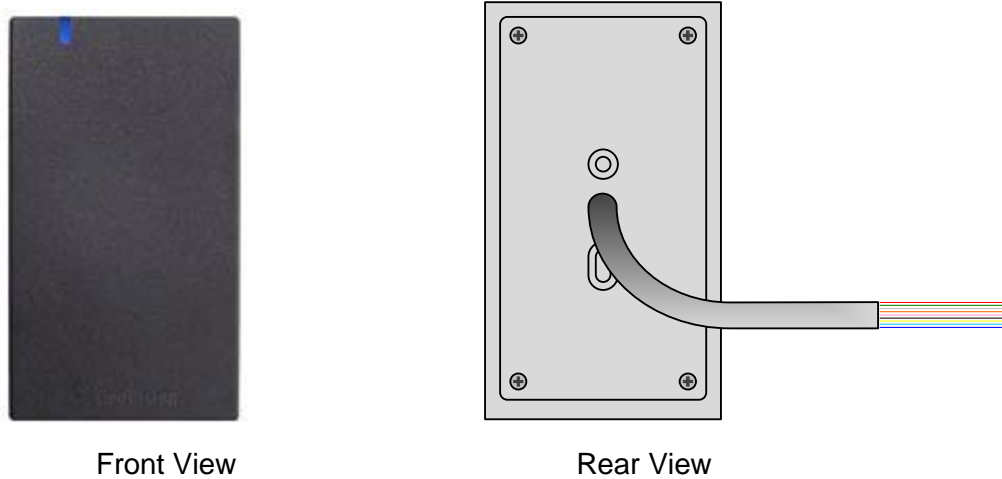


Figure 3-4

Wire color	Definition
Red	12V
Black	GND
Green	Wiegand Data 0
White	Wiegand Date 1
Blue	RS485+
Light Blue	RS485-
Brown	IN COM (GND)
Yellow	Door Sensor IN1
LRed	Button IN2
Purple	Door COM
Orange	Door NC
Gray	Door NO

3.2.1 Connecting a Wiegand Reader

GV-AS120 provides one Wiegand input for connection to the Wiegand reader ranging from 26 to 64 bits. Through the Web interface of GV-AS120, you can set the Wiegand reader as the entry or exit reader. To define the reader, see *9.3.2.A Function Setting*.

The table below shows the wire assignments of the Wiegand input on GV-AS120. Please consult the documentation of your Wiegand reader for wiring. You will need to set up a separate power source to power the Wiegand reader.

Wire color	Definition
Green	Wiegand Data 0
White	Wiegand Date 1

3.2.2 Connecting Input Devices

GV-AS120 supports 2 types of inputs:

1. Sensor inputs, e.g. door status
2. Button inputs, e.g. door opener

All inputs are **dry contact** and can be configured as normally open (NO) or normally closed (NC) through the GV-AS120 Web interface. The default value is **NO**. To change the input status, see *9.3.2.F In/Out Function*.

The table below shows the wire assignments of input connectors on GV-AS120.

Wire color	Definition
Yellow	Door Sensor IN1
LRed	Button IN2
Brown	IN COM (GND)

3.2.3 Connecting Output Devices

GV-AS120 supports 1 type of output: Door outputs, e.g. electronic lock

The table below shows the wire assignments of output connectors on GV-AS120.

Wire color	Definition
Purple	Door COM
Orange	Door NC
Gray	Door NO

Check if your output device meets the following absolute maximum ratings before connecting it to the Door outputs.

Breakdown Voltage	250V AC, 220V DC
Continuous Load Current	1A (30V DC), 0.3A (125V AC)
<p>Note: Absolute Maximum Ratings are those values beyond which damage to GV-AS120 circuit board may occur. Continuous operation of GV-AS120 at the absolute rating level may affect GV-AS120's reliability.</p>	

To connect an output device:

The example below illustrates the connection of a locking device to GV-AS120. Connect the (+) point on the locking device to the Door COM wire on GV-AS120, connect the two (-) points of the locking device and the external power supply together, and connect the (+) point on the external power supply to the Door NO or Door NC wire on GV-AS120 based on the state of the locking device.

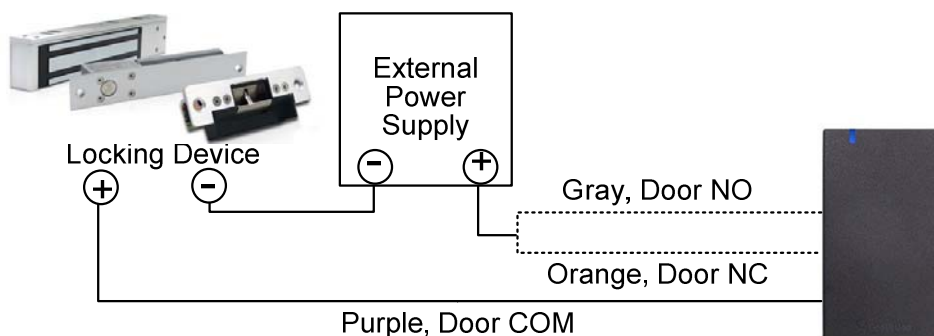


Figure 3-5

3.2.4 Connecting to the PC

The computer running GV-ASManager software can be used to monitor the access information and alarm messages from GV-AS120. The communication link between the computer and GV-AS120 can be either through RS-485 or network. For RS-485 connection, a RS-485 to RS-232 converter is required, such as a GV-Hub, GV-COM or GV-NET/ IO Card V3.1. For network connection, an optional GV-ASBox or GV-ASNet is required.

3.2.4.A RS-485 Connection

The figure below illustrates the RS-485 connection to the computer. For this connection, a RS-485 to RS-232 converter between GV-AS120 and the computer is required. You can use GV accessories, such as GV-Hub, GV-COM and GV-NET/IO Card, as the RS-485/RS-232 converter.

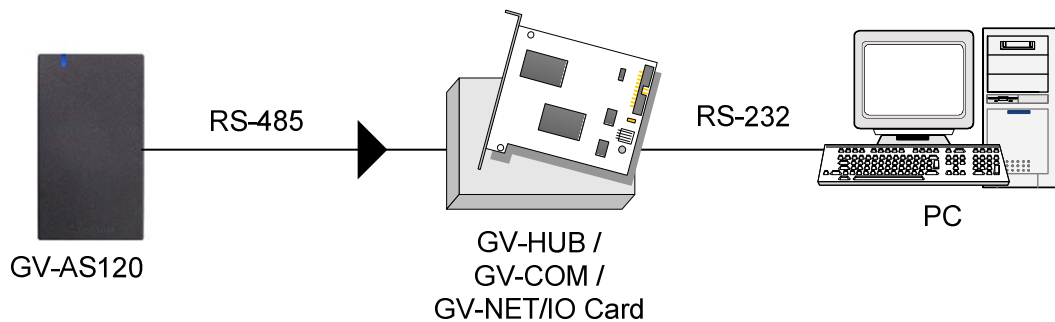


Figure 3-6

The table shows the wire assignments of RS-485 connection on GV-AS120.

Wire color	Definition
Blue	RS485 A+
Light Blue	RS485 A-

To define ID number, control type and authentication mode

Using the **GV-AS120 Setting AP** in the GV-ASManager folder, you can define the ID number of multiple GV-AS120 connected through RS-485 interface, as well as set the control type and authentication mode.

1. Go to **C:\Access Control\ASManager** and double-click **GV-AS120 SetupAP V100.exe**. This dialog box appears.

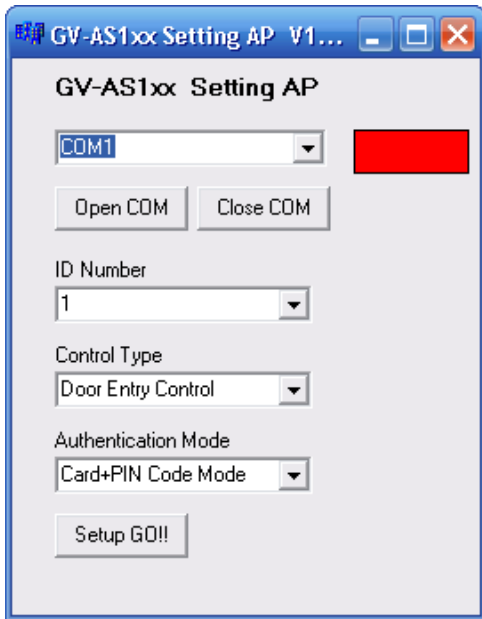
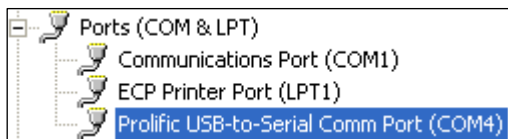


Figure 3-7

2. Select the COM port that is connected to GV-AS120 and click **Open COM**. The red square should change to blue to indicate the COM port is correct.

Note: To verify the COM port that is connected to GV-AS120, go to Windows Device Manager. In the Ports (COM & LPT) field, you should see the entry for **Prolific USB-to-Serial Comm Port**. The COM port shown in parenthesis indicates the COM number currently in use.



3. Select an ID number for the GV-AS120.
4. Use the drop-down list to define the **Control Type** and **Authentication Mode**. Refer to *Door / Gate Function* and *Set Authentication Mode* in 2.3.2 *Programming the GV-AS110* for more details on each type of Control Type and Authentication Mode.
5. Click **Setup GO**. The settings are sent to GV-AS120.

3.2.4.B Network Connection

The figure below illustrates the network connection to the computer. For this connection, a GV-ASBox or GV-ASNet is required.

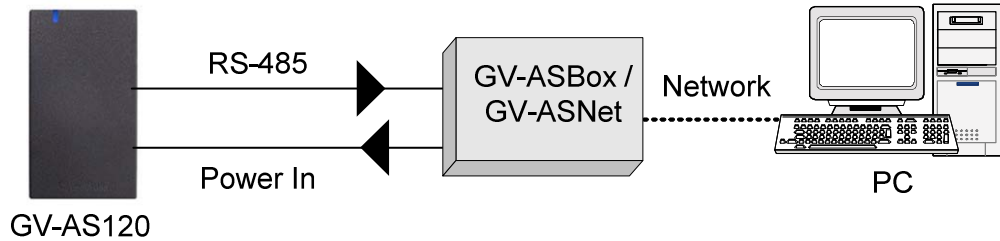


Figure 3-8

Connect two power wires and two RS-485 wires from GV-AS120 to GV-ASBox / GV-ASNet. The table below shows the wire assignments of RS-485 connection on GV-AS120.

Wire color	Definition
Red	12V
Black	GND
Blue	RS485 A+
Light Blue	RS485 A-

See 9.1.4.A Connecting GV-AS100 / 110 / 120 or 9.2.4A Connecting GV-AS100 / 110 / 120 to see how to connect to GV-ASBox or GV-ASNet.

3.2.5 Connecting the Power

The supplied AC adaptor can be connected to any power source supplying from 100 to 240V. Connect 12V and GND wires to the supplied power adapter and then connect the power adapter to a power source. The table below shows the pin assignments of the power connectors on GV-AS120.

Wire color	Definition
Red	12V
Black	GND

Note: Power should only be applied to the unit when all connections are completed and tested.

3.3 Programming Mode

After powering on GV-AS120, you must create two cards first, an Enroll Card and a Delete Card. The Enroll Card is used for adding new cards and the Delete Card is used for deleting cards. Either card will allow you to program the various configurations on GV-AS120.

Note: The card complying with ISO 14443A standard for smart card technology can be formatted as an Enroll Card or Delete Card.

To create the Enroll Card and the Delete Card:

1. Power on the unit. The LED flashes blue.
2. Present a card to be the Enroll Card.
3. Present a card to be the Delete Card.
4. The GV-AS120 will automatically load default, and the LED will flash blue and yellow. After 1 to 2 minutes, the LED should be a constant blue light to indicate READY.

3.3.1 Adding and Deleting Cards

Using the two cards, you can add new cards to GV-AS120 and delete existing cards on GV-AS120.

Note:

1. GV-ASManager cannot manage the cards enrolled on GV-AS120, since the card data will not be transmitted to GV-ASManager.
 2. The cards added through GV-ASManager cannot be deleted on GV-AS120.
-

3.3.1.A Adding a Card

Up to 1,000 cards can be enrolled on GV-AS120 directly without needing additional software. When working with GV-ASManager software, GV-AS120 can support up to 40,000 cards.

1. Present the Enroll Card.
2. Present the card you want to add to the GV-AS120.
3. The GV-AS120 will produce a long beep if the card has been added successfully and three short beeps if the adding procedure has failed.

The default password will be 1234 and the card will automatically be set to a Normal Card. You can change the password and set the card to different card types such as Patrol Card or Two-person A/B Card using GV-ASManager. Refer to the *Adding Cards* section in *GV-ASManager User's Manual* for more details.

Note: GV-AS120 does not support cards set up as Security Cards.

3.3.1.B Deleting a Card

1. Present the Delete Card.
2. Present the card you want to delete.
3. The GV-AS120 will produce a long beep if the card has been deleted successfully and three short beeps if the deleting procedure has failed.

3.4 LED Status and Beeper

Normally, the LED on GV-AS120 is blue during standby mode and the LED flashes green when a card is granted access or when the operation was successful. A red LED indicates access denied or the operation was unsuccessful. The LED status and beeper under different conditions are listed below.

Condition	LED	Beeper
Card Mode	Constant blue	Silent
Release Mode	Flashes green	Silent
Force Unlock Mode	Flashes green	Silent
Force Lock Mode	Flashes red	Silent
Tamper / Forced Open Alarm	Flashes green and red	Constant beep until alarm cancelled
Held Open Alarm	Unchanged	Constant beep until alarm cancelled
Access Denied Alarm	Flashes red momentarily	Short beep for the number of seconds specified
Access Denied	Flashes red momentarily	Two short beeps
Access Granted	Flashes green momentarily	One short beep
Enroll Card	Flashes green momentarily	Two long beeps
Delete Card	Flashes red momentarily	Two long beeps
Enrolled/Deleted card successfully	Displays green LED momentarily	One long beep
Enroll/Delete card failed	Displays red LED momentarily	Three short beeps
Firmware update	Flashes red, green and blue	Silent
Firmware update failed	Flashes purple	Constant beep
Factory default	Flashes blue	Silent

3.5 Web-Based Configurations

Through GV-ASBox or GV-ASNet, GV-AS120 can communicate with GV-ASManager over the network. Using GV-ASBox or GV-ASNet, you can also access the Web interface of GV-AS120.

Refer to *Chapter 9 Optional Devices* to see how to connect a GV-ASBox or GV-ASNet and how to access the Web interface of GV-AS120.

4. GV-AS210 / 2110 / 2120 Controller

4.1 Introduction

4.1.1 Main Features

- One-way control: 4 doors
- Two-way control:
 - 2 doors by Wiegand only;
 - 4 doors by Wiegand / network;
 - 4 doors with max 2 doors by Wiegand and other doors by RS-485 / network
- Support 4 Wiegand card readers of 26 to 64 bits
- Support 8 GV-Readers / GV-GF Fingerprint Readers through RS485 connection
- Built-in 8 digital inputs and 8 relay outputs
- Suitable for door, doors, parking gates and access to elevator call buttons
- Support for tampering alarm
- **GV-AS210 / 2110:** DC 12V, 3A
GV-AS2120: DC 12V, 3A / PoE+ (IEEE 802.3at, provides up to 25.5 W)

4.1.2 Packing List

GV-AS210 / 2110

- GV-AS210 / 2110
- Power Adaptor 12V DC / 3A
- Power Cord
- Battery Cable
- Screw x 4
- Micro SD Card 2 GB
- Software CD
- Warranty Card

GV-AS2120

- GV-AS2120
- Battery Cable
- Screw x 4
- Micro SD Card 2 GB
- Software CD / DVD
- Warranty Card

4.1.3 Board Layout

GV-AS210 / 2110

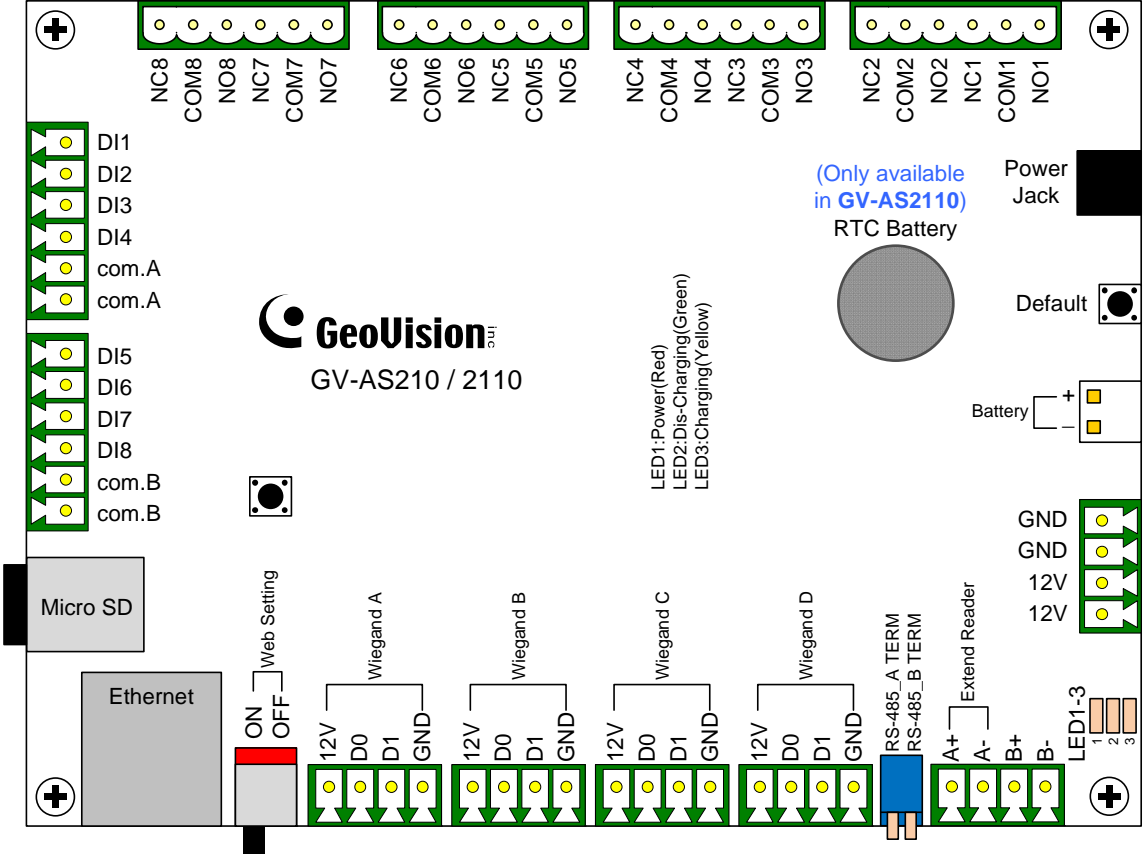


Figure 4-1

GV-AS2120

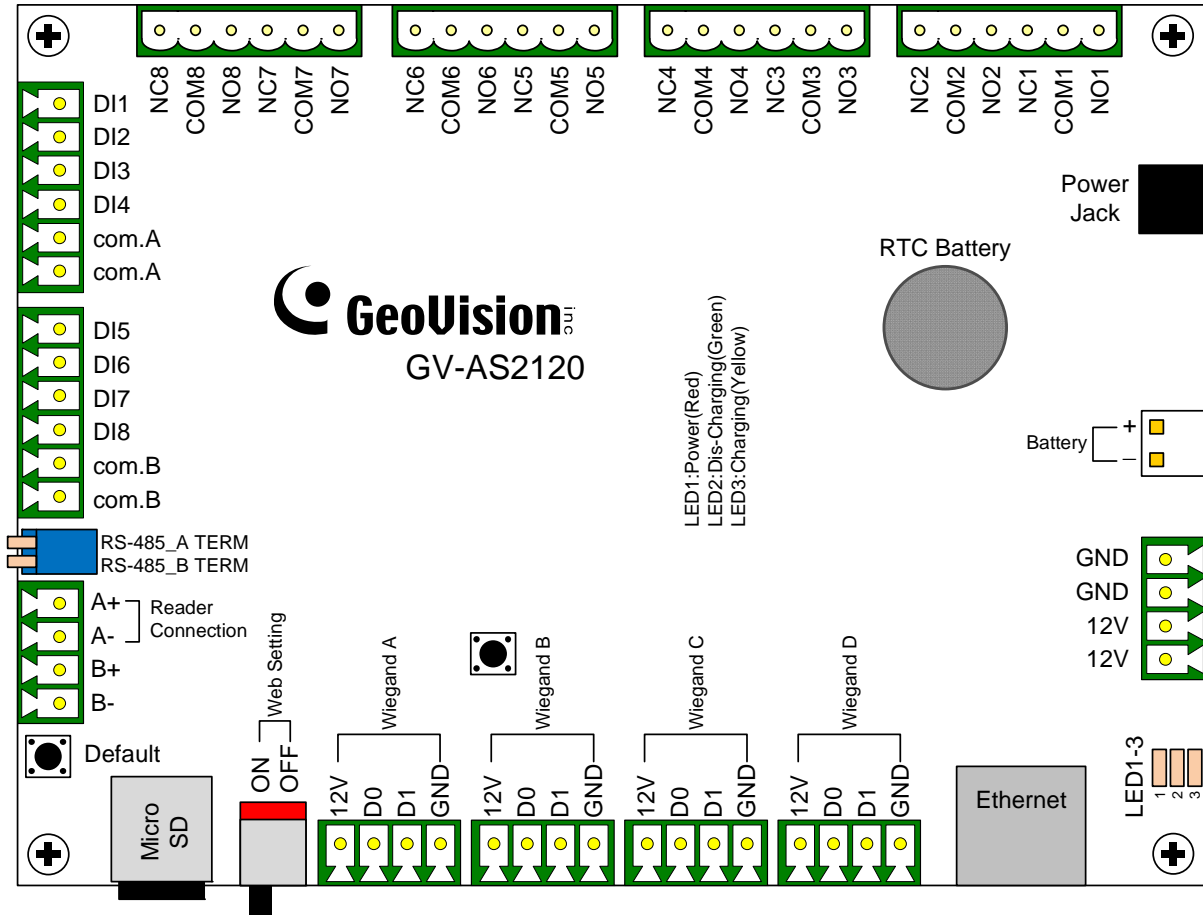
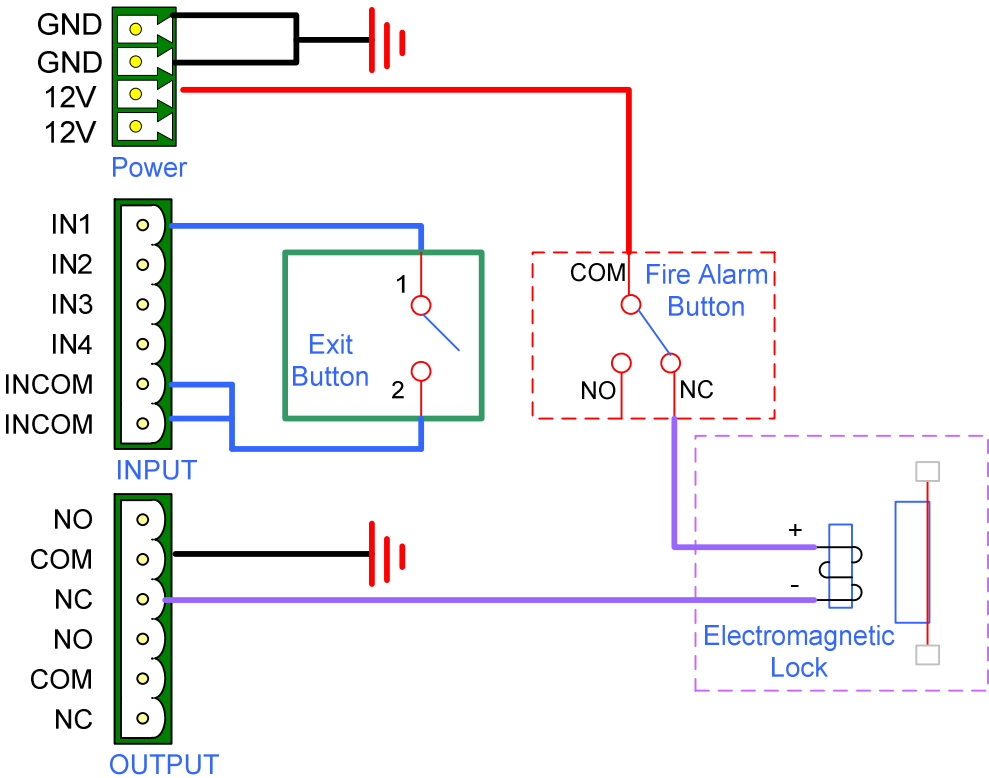


Figure 4-2

Note: It is highly recommended that you connect the fire alarm button to the 12V power port and electromagnetic lock directly, as the figure below shows. This enables all the associated doors to be triggered even if your GV-AS21 series Controller behaves abnormally when a fire condition occurs.



4.2 Installation

4.2.1 Connecting Card Readers

GV-AS210 / 2110 / 2120 can physically connect to card readers through its RS-485 and Wiegand interfaces.

- **Wiegand:** Compatible with any Wiegand card readers of 26 to 64 bits.
- **RS-485:** Only compatible with all **GV-Readers** and **GV-GF Fingerprint Readers**.

To see how to connect to network readers through TCP/IP, refer to *8.3 Extended Device*.

4.2.1.A Wiegand Readers

GV-AS210 / 2110 / 2120 provides 4 Wiegand inputs (Wiegand A to Wiegand D). Connect up to 4 Wiegand readers ranging from 26 to 64 bits to the Wiegand interfaces. Please consult the documentation of your Wiegand reader for wiring.

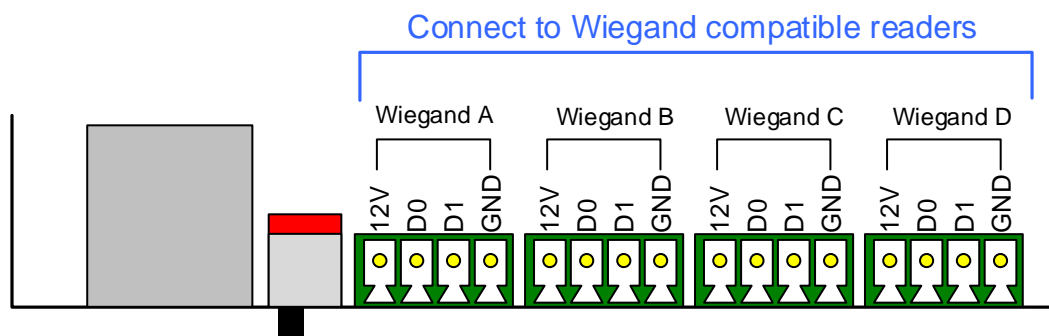


Figure 4-3

4.2.1.B RS-485 Readers

For long-distance connection and non-Wiegand card readers, you can establish RS-485 connection with any GV-Readers and GV-GF Fingerprint Readers. Up to **8 readers** can be connected together with a single RS-485 cable to the RS-485 interface on GV-AS210 / 2110 / 2120.

When multiple readers are connected together, an extra power supply to each unit is required. Use **12V** power output and **GND** on the power terminal or the Wiegand connectors to power on each unit.

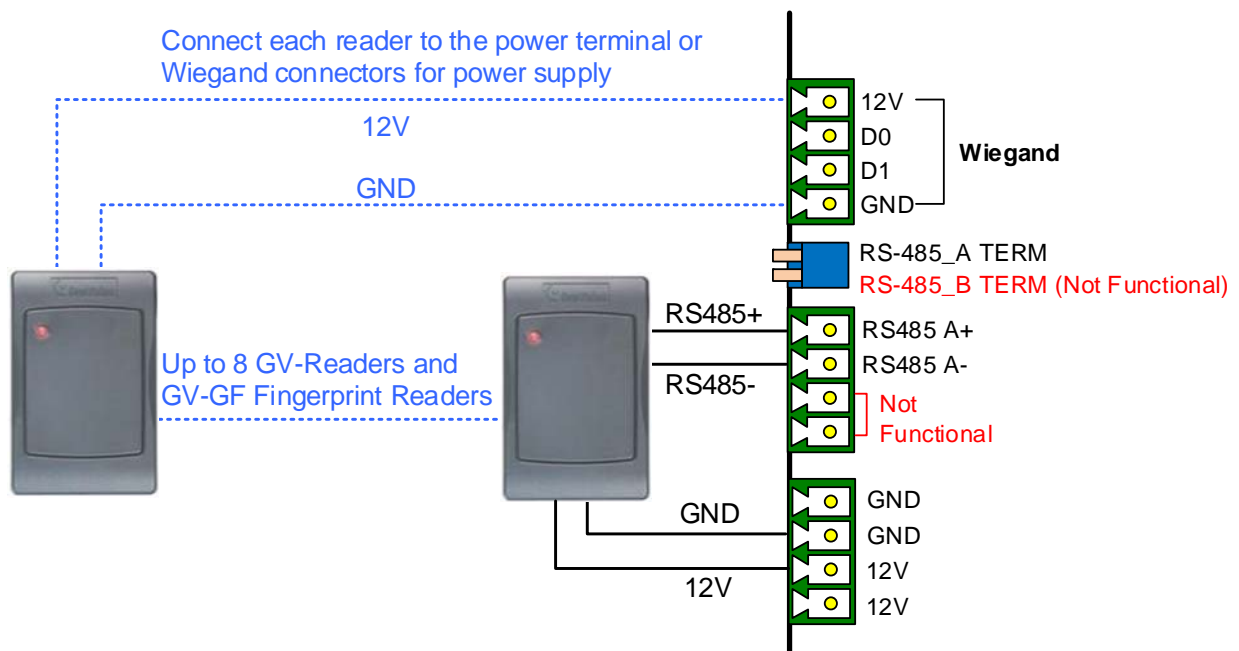


Figure 4-4

Note:

1. Each set of 12V power output and GND can provide power for up to 2 readers. The 2 sets on the power terminal can support up to 4 readers. If you wish to connect more readers and the Wiegand interfaces are already occupied, you can connect the readers to an external power source.
2. When the RS-485 connection between GV-AS210 / 2110 / 2120 and the reader is over a long distance, you can turn ON the RS485 A Terminal switch if the signal is unstable.

4.2.2 Connecting Input Devices

Up to 8 input devices can be connected to GV-AS210 / 2110 / 2120. Connect the input wires to **DI1~8** and connect GND wires to **com.A** or **com.B**. Multiple GND wires can be connected to the same com.A/B interface.

All inputs are **dry contact** that can be configured as normally open (NO) or normally closed (NC) on the Web interface. To change the input status, refer to *8.2.6 Input Configuration*.

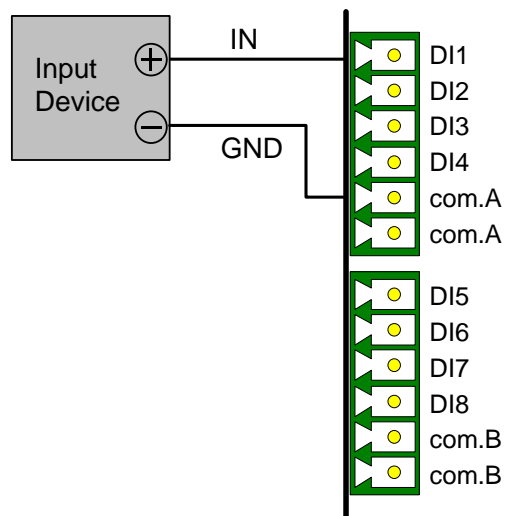


Figure 4-5

4.2.3 Connecting Output Devices

Up to 8 output devices can be connected to GV-AS210 / 2110 / 2120. Check if your output device meets the following absolute maximum ratings before connecting it to outputs 1 ~ 8.

Breakdown Voltage	110V AC ~ 250V AC, 30V DC
Continuous Load Current	3A (AC), 3A (DC)
Note: Absolute Maximum Ratings are those values beyond which damage to GV-AS210 / 2110 / 2120 circuit board may occur. Continuous operation of GV-AS210 / 2110 / 2120 at the absolute rating level may affect the controller's reliability.	

To connect an output device:

Connect the (+) point on the output device to COM on GV-AS210 / 2110 / 2120, connect the two (-) points of the output device and the power supply together, and connect the (+) point on the power supply to the NO or NC of GV-AS210 / 2110 / 2120 based on the state of the output device.

There are two ways to supply power to the output device:

- **Use the power outputs on the GV-AS Controller:** The output device must be a 12V device. The total power consumption of the output devices and readers connected to the controller must be under 3A when using the power adapter. If you are using a PoE adapter for GV-AS2120, the total power consumption must be under 25.5 W.
- **Connect an external power supply:** Connect an external power supply if the total power consumption is exceeded or if the output device requires higher current.

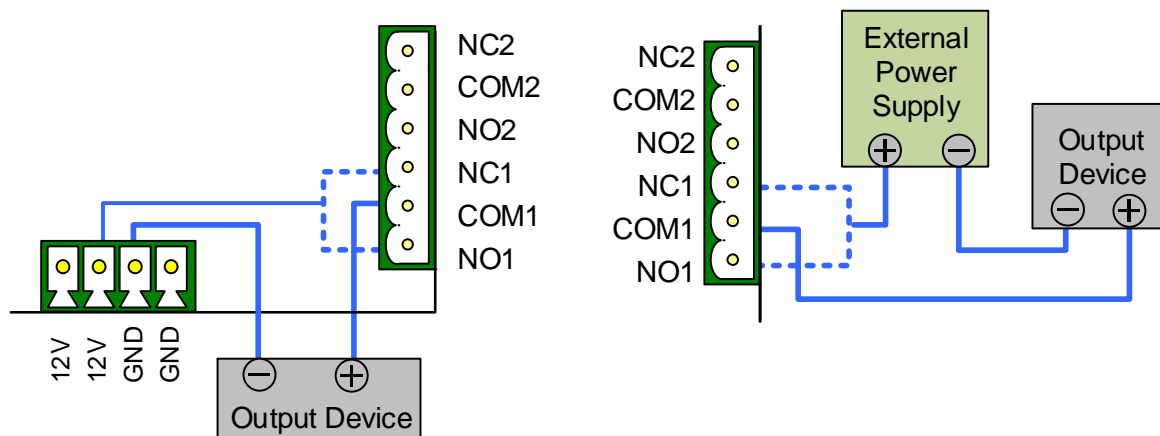


Figure 4-6

Note: If you want to use the power outputs on the GV-AS Controller, note that the maximum current of the individual voltage output is 12V, 0.9A.

4.2.4 Connecting Backup Battery

You can connect any 12 V battery to the controller to provide backup power when the main power supply fails. When the main power supply is removed and the battery voltage level is above 10.2V, the battery will support normal operation of the controller.

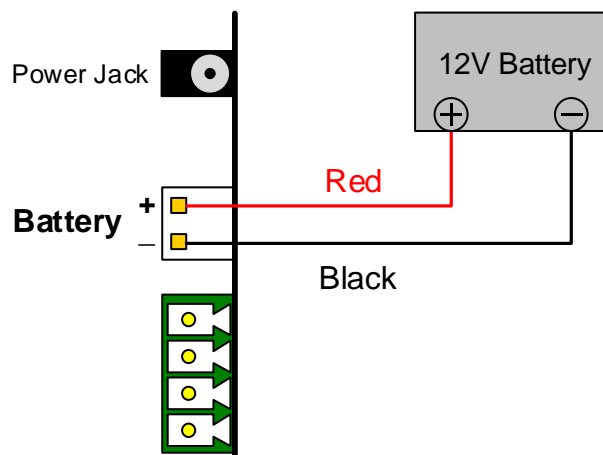


Figure 4-7

4.2.5 Connecting the Power

For GV-AS210 / 2110, you can connect the controller to power directly using the supplied 12V DC adaptor. For GV-AS2120, you can choose to supply power using a power adaptor (available for separate purchase) or using a Power over Ethernet (PoE) adapter. After power is connected, the power LED on GV-AS210 / 2110 / 2120 should glow.

Note: Power should be applied to the unit when all connections are completed and tested.

GV-AS210 / 2110: Use the supplied power adapter.

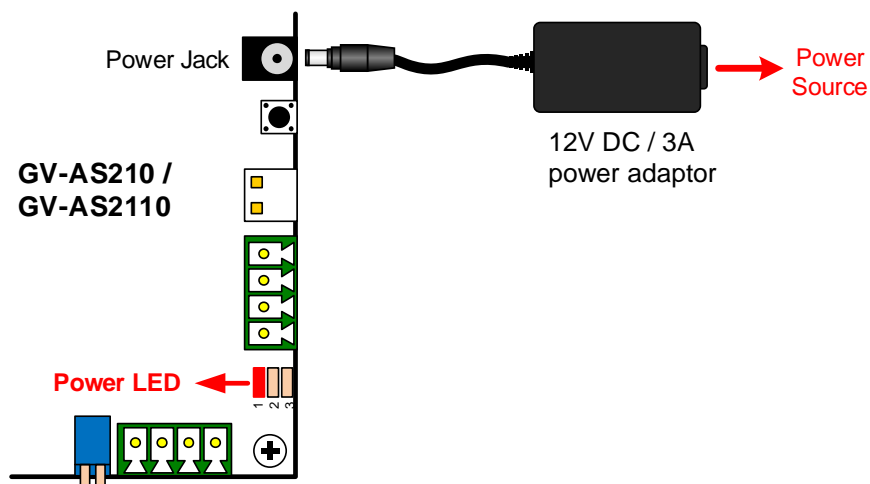


Figure 4-8

GV-AS2120: Connect a PoE adapter or a 12V DC / 3A power adapter (not included). When using PoE:

- The Ethernet cable must be Cat 5e or above.
- The maximum power consumption supported is 25.5 W. You will need to connect an external power supply if the total power consumption exceeds 25.5 W after output devices and readers are connected.

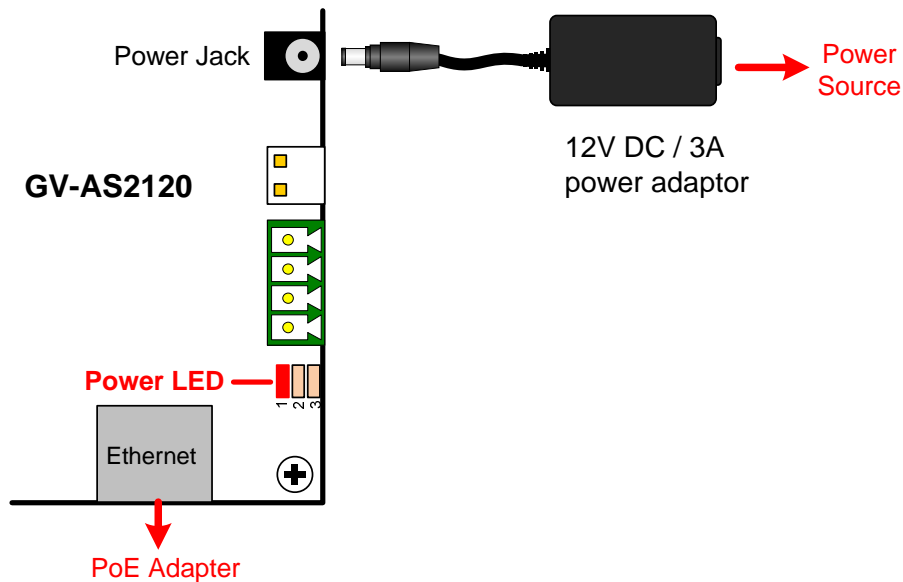


Figure 4-9

Note: To calculate the total power consumption, add the power consumption of the controller, output devices and readers connected. For example, if you connect 4 GV-EL202B and 8 GV-DFR1352 to the GV-AS2120, the total power consumption will be 25.16 W.

- Each GV-EL202B uses $3.6\text{W} * 4 = 14.4\text{W}$
- Each GV-DFR1352 uses $0.72\text{ W} * 8 = 5.76\text{ W}$
- GV-AS2120 uses 5 W

Total power consumption: $14.4 + 5.76 + 5 = 25.16\text{ W}$

4.2.6 Connecting the PC

Connecting the controller to a computer allows you to access its Web interface and connect it to GV-ASManager if the computer is installed with GV-ASManager. The computer running GV-ASManager software can be used to monitor the access information and alarm messages from GV-AS210 / 2110 / 2120. If connection with GV-ASManager is interrupted, GV-AS210 / 2110 / 2120 stores this information on the supplied micro SD card. The data stored will be sent to GV-ASManager when connection resumes.

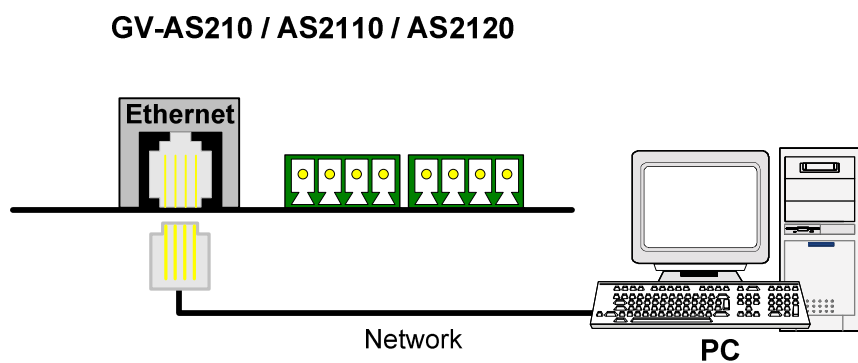


Figure 4-10

Note: The controllers are only compatible with the GV-ASManager versions listed below:

- GV-AS210: GV-ASManager V4.2.1 or later
 - GV-AS2110: GV-ASManager V4.2.3 or later
 - GV-AS2120: GV-ASManager V4.3 or later
-

4.2.7 Fitting the Battery (GV-AS2110 / 2120 Only)

GV-AS2110 / 2120 includes a replaceable cell button battery. When the power in the battery becomes low, a “Low Battery” message and icon will appear in GV-ASManager. When this happens, replace the battery. All settings on GV-AS2110 / 2120 will disappear about 10 hours after the battery stops working, and GV-AS2110 / 2120 will be restored to default settings.

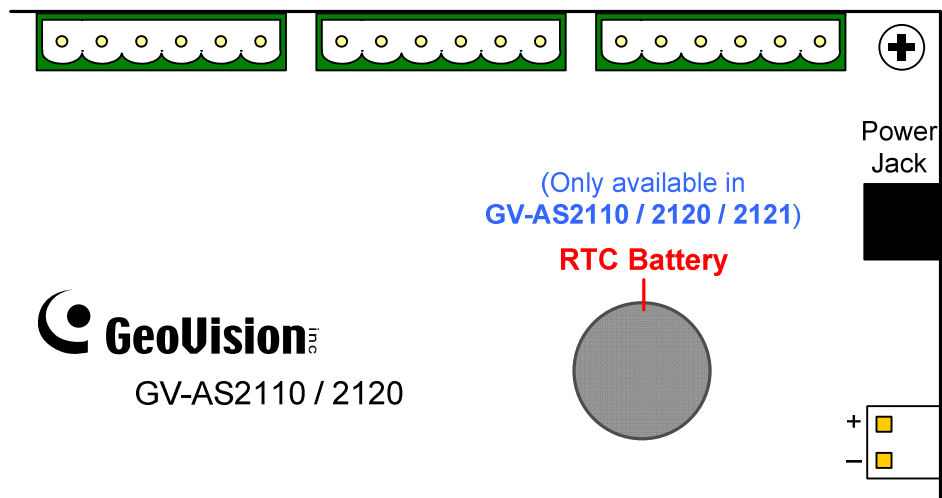


Figure 4-11

Note:

1. Make sure the plastic insulation film under the battery is removed.
 2. It is recommended to replace the battery annually.
-

4.3 Other Settings

4.3.1 Web Setting Switch

When the **Web Setting** switch is set to the ON position, you can modify **Advanced Settings** and Extended Reader of GV-AS210 / 2110 / 2120 through its Web interfaces. When the switch is set to the OFF position, Advanced Settings are not accessible. For details on Advanced Settings, see *8.2 Advanced Settings*.

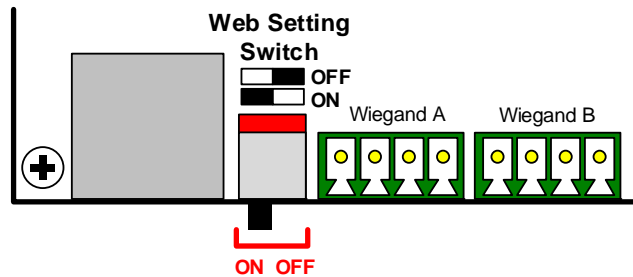


Figure 4-12

4.3.2 Resetting the Controller

To reset GV-AS210 / 2110 / 2120, press the **Reset** button in the bottom half of GV-AS210 / 2110 / 2120 circuit board for three seconds.

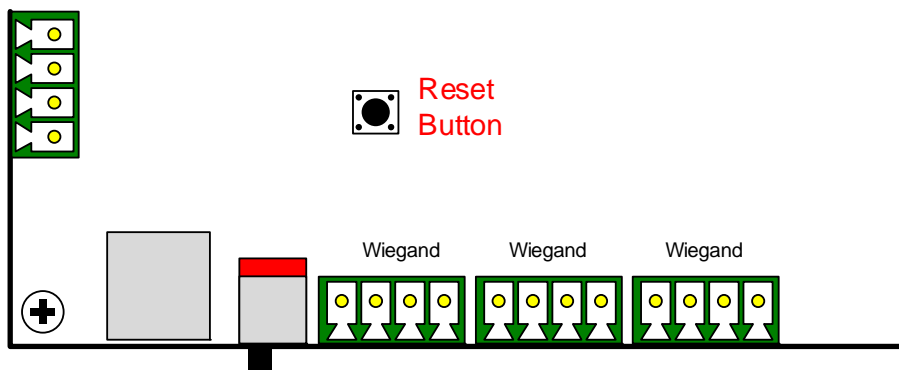


Figure 4-13

4.3.3 Restoring Factory Defaults

To restore GV-AS210 / 2110 / 2120 to factory default settings, press the **Default** button for 10 seconds.

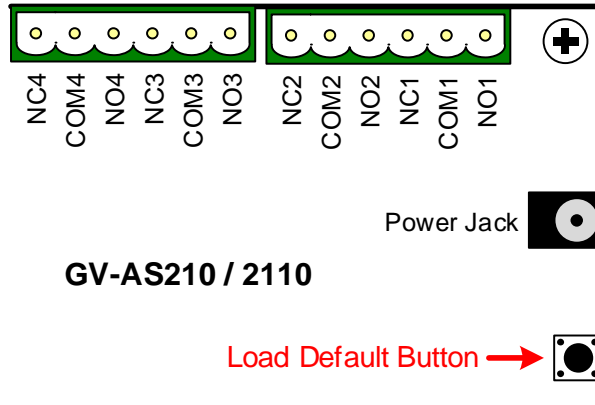


Figure 4-14

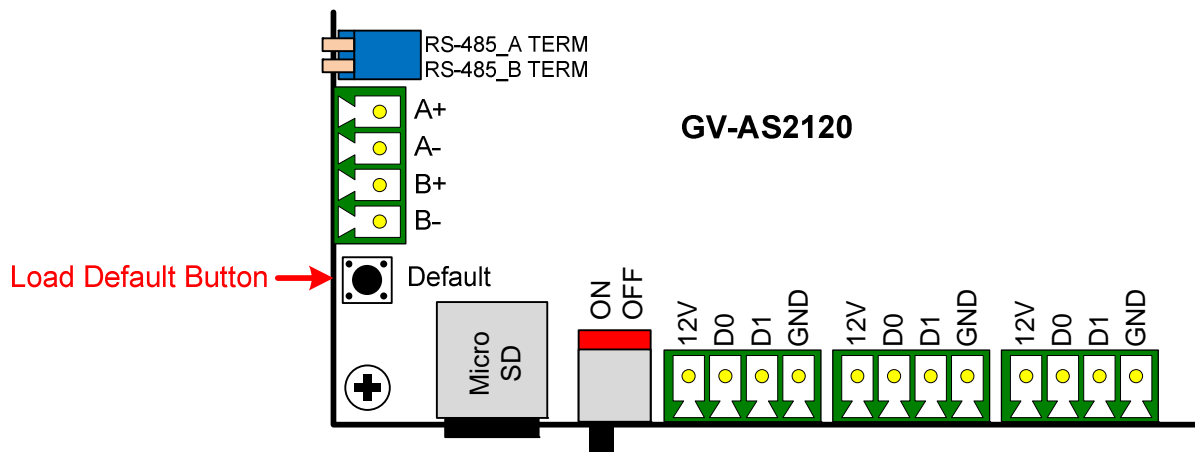


Figure 4-15

4.4 The Web Interface

You can install GV-AS210 / 2110 / 2120 on a network and configure the controller through its Web interface.

Refer to *Chapter 7 Installing on a Network* for detailed instructions on setting a fixed or dynamic IP address to access the controller.

Refer to *Chapter 8 The Web Interface* for details on the setup pages of the Web interface. Through the Web interface, you can configure general settings, input/output devices, associated doors/gates and connected readers.

5. GV-AS410 / 4110 / 810 / 8110 Controller

5.1 Introduction

5.1.1 Main Features

GV-AS410 / 4110

- One-way control: 4 doors
- Two-way control: 4 doors
- Support 8 Wiegand card readers of 26 to 64 bits
- Support 8 GV-Readers / GV-GF Fingerprint Readers through RS485 connection / Network
- Built-in 16 digital inputs and 24 relay outputs
- Suitable for doors, parking gates and access to elevator call buttons
- Support for tampering alarm

GV-AS810 / 8110

- One-way control: 8 doors
- Two-way control:
 - 4 doors by Wiegand only;
 - 8 doors by RS-485 / network;
 - 8 doors with max 4 doors by Wiegand and other doors by RS-485 / network
- Support 8 Wiegand card readers of 26 to 64 bits
- Support 16 GV-Readers / GV-GF Fingerprint Readers through RS485 connection / Network
- Built-in 16 digital inputs and 24 relay outputs
- Suitable for doors, parking gates and access to elevator call buttons
- Support for tampering alarm

5.1.2 Packing List

- GV-AS410 / 4110 / 810 / 8110
- GV-AS410 / 4110: Power Adaptor 12V DC / 3.5A
GV-AS810 / 8110: Power Adaptor 12V DC / 5A
- Power Cord
- Battery Cable
- Screw x 8
- Hex Nut x 8
- Hex Pillar x 8
- Micro SD Card 2 GB
- Software CD
- Warranty Card

5.1.3 GV-AS410 / 4110/ 810 / 8110 Board Layout

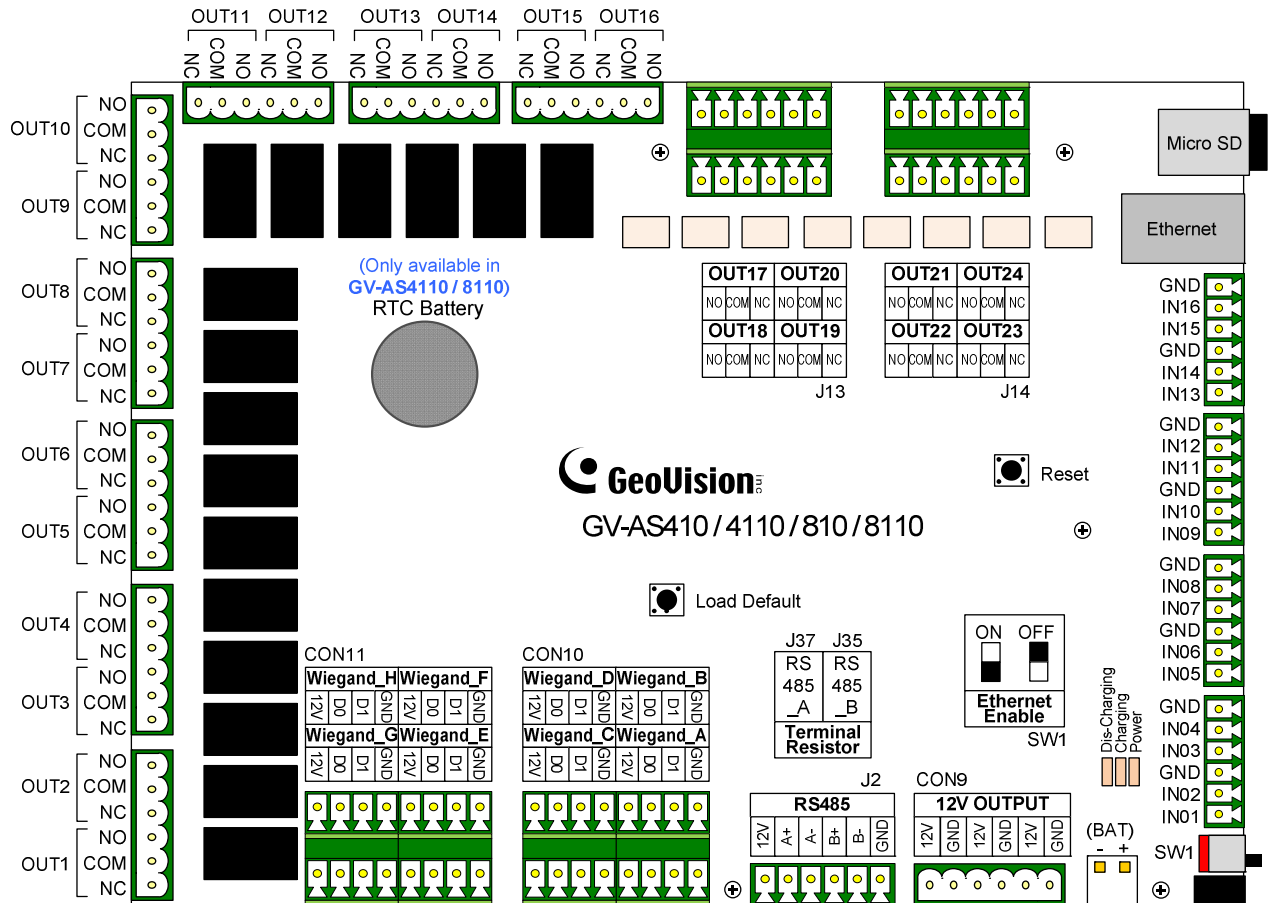
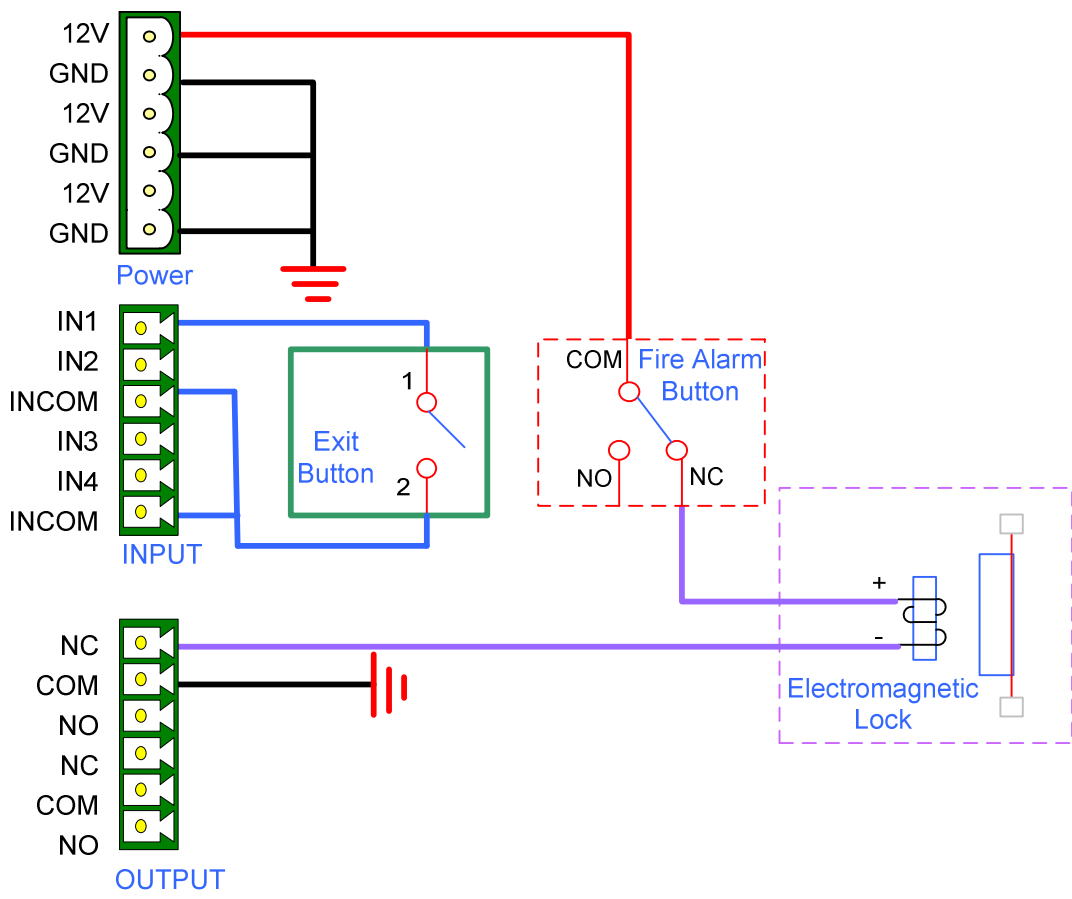


Figure 5-1

Note: It is highly recommended that you connect the fire alarm button to the 12V power port and electromagnetic lock directly, as the figure below shows. This enables all the associated doors to be triggered even if your GV-AS41 / 81 series Controller behaves abnormally when a fire condition occurs.



5.2 Installation

5.2.1 Connecting Card Readers

GV-AS410 / 4110 / 810 / 8110 supports two types of card reader interfaces:

- **Wiegand:** Compatible with any Wiegand card readers of 26 to 64 bits.
- **RS-485:** Only compatible with all **GV-Readers** and **GV-GF Fingerprint Readers**.

5.2.1.A Wiegand Readers

GV-AS410 / 4110 / 810 / 8110 provides 8 Wiegand inputs (Wiegand A to Wiegand H). Connect up to 8 Wiegand readers ranging from 26 to 64 bits to the Wiegand interfaces. Please consult the documentation of your Wiegand reader for wiring.

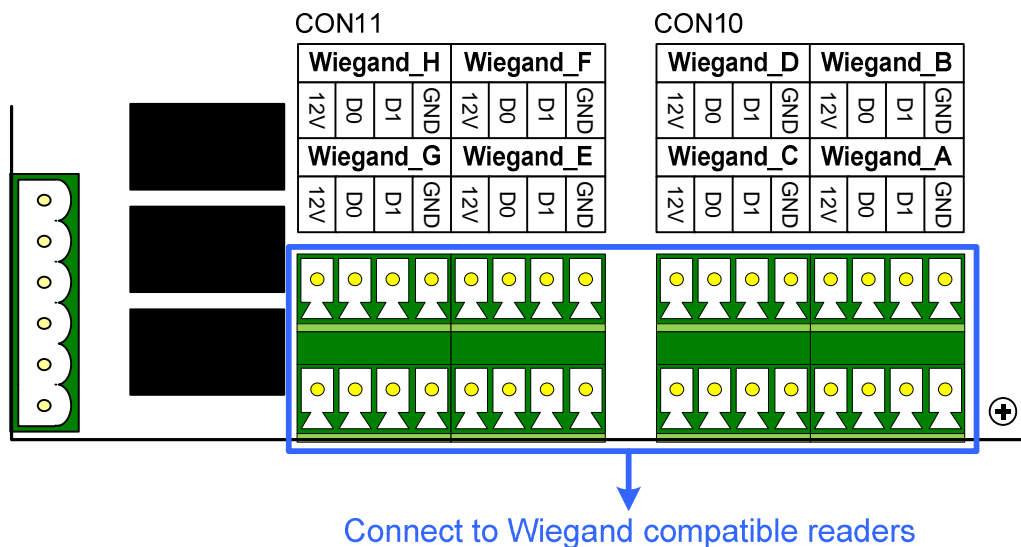


Figure 5-2

Note: Although 8 Wiegand inputs are available, GV-AS410 / 4110 only supports control of up to 4 doors.

5.2.1.B RS-485 Readers

For long-distance connection and non-Wiegand card readers, you can connect RS-485 connection with any GV-Readers and GV-GF Fingerprint Readers. Using a single RS-485 cable, up to **8 readers** can be connected together with to the RS-485 A+ / A- interface. For GV-AS810 / 8110, another 8 readers can be connected to the RS-485 B+ / B- interface, for a total of **16 RS-485 readers**.

When multiple readers are connected together, an extra power supply to each unit is required. Use **12V** power output and **GND** on the power terminal or the Wiegand connectors to power on each unit.

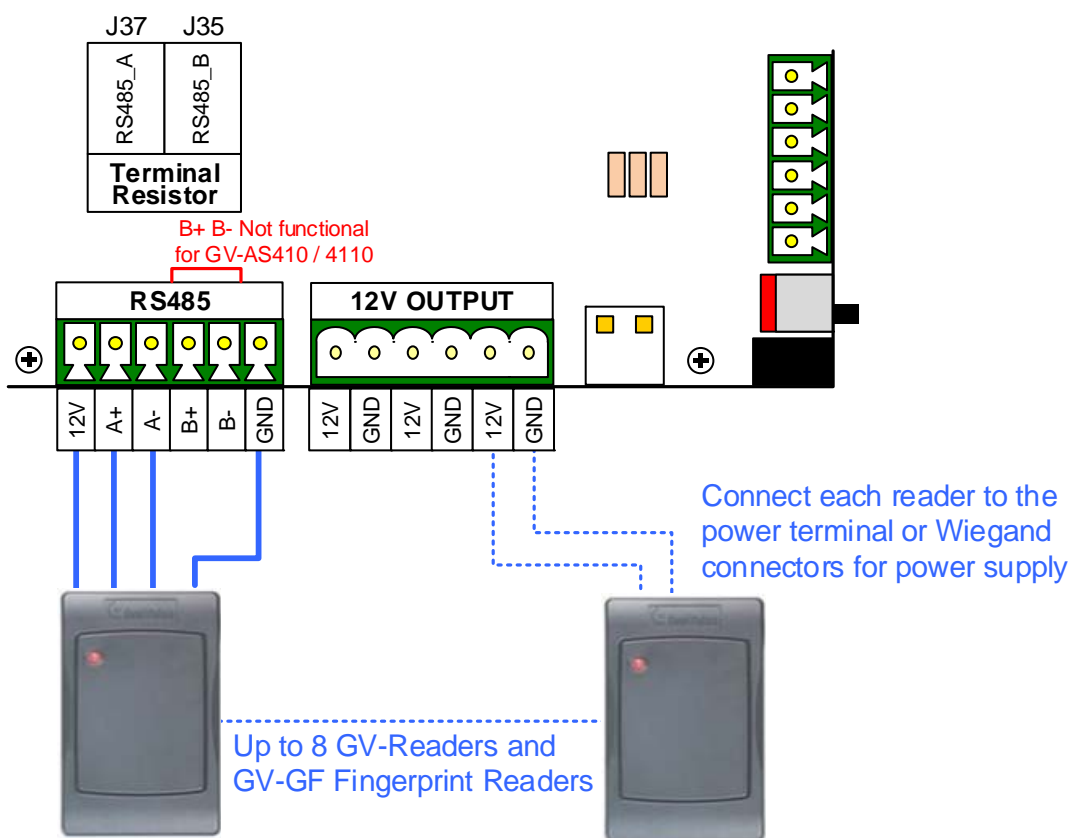


Figure 5-3

Note:

1. Each set of 12V power output and GND can provide power for up to 2 readers. The 3 sets on the power terminal can support up to 6 readers. If you wish to connect more readers and the Wiegand interfaces are already occupied, you can connect the readers to external power source.
 2. By default, a jumper cap is installed on the RS485_A Terminal Resister (J37) to ensure stability when the RS-485 connection between GV-AS410 / 4110 / 810 / 8110 and the reader is over a long distance.
 3. Although up to 8 RS-485 readers can be connected, GV-AS410 / 4110 only supports control of up to 4 doors.
-

5.2.2 Connecting Input Devices

Up to 16 input devices can be connected to GV-AS410 / 4110 / 810 / 8110. Connect the input wires to **IN1~16** and connect GND wires to **GND**. Multiple GND wires can be connected to the same GND pin.

All inputs are **dry contact** that can be configured as normally open (NO) or normally closed (NC) on the Web interface. To change the input status, refer to *8.2.6 Input Configuration*.

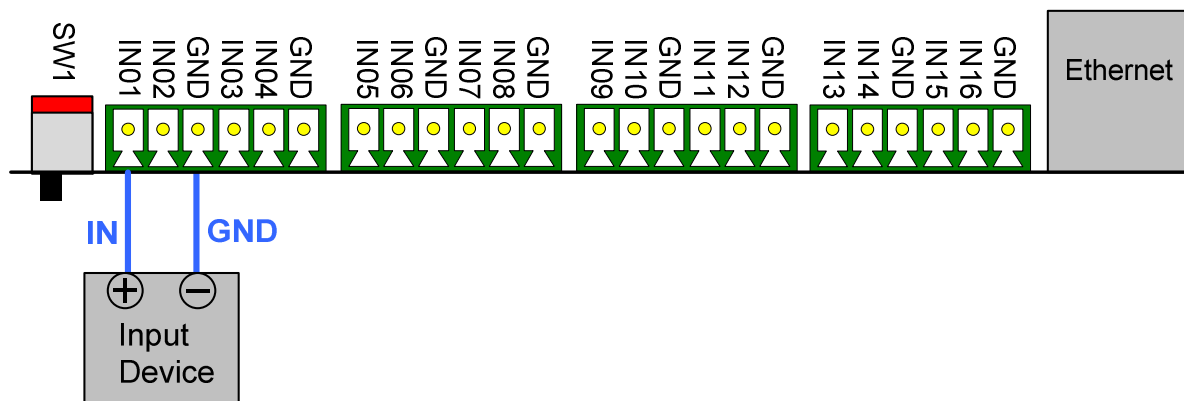


Figure 5-4

5.2.3 Connecting Output Devices

Up to 24 output devices can be connected to GV-AS410 / 4110 / 810 / 8110. Check if your output device meets the following absolute maximum ratings before connecting it to output terminal block.

Outputs	Outputs 1-16	Outputs 17-24
Breakdown Voltage	110V AC – 250V AC, 30V DC	30V DC
Continuous Load Current	3A (AC), 3A (DC)	1A
<p>Note: Absolute Maximum Ratings are those values beyond which damage to GV-AS410 / 4110 / 810 / 8110 circuit board may occur. Continuous operation at the absolute rating level may affect GV-AS410 / 4110 / 810 / 8110's stability.</p>		

To connect an output device:

Connect the (+) point on the output device to COM on GV-AS410 / 4110 / 810 / 8110, connect the two (-) points of the output device and the power supply together, and connect the (+) point on the power supply to the NO or NC of GV-AS410 / 4110 / 810 / 8110 based on the state of the output device.

There are two ways to supply power to the output device:

- **Use the power outputs on the GV-AS Controller:** The total power consumption of the output devices and readers connected to GV-AS Controller must be under **3.5A** for GV-AS410 / 4110 or **5A** for GV-AS810 / 8110. The output device must be a 12V device.
- **Connect an external power supply:** Connect an external power supply if the total power consumption exceeds 3.5A / 5A or if the output device requires higher current.

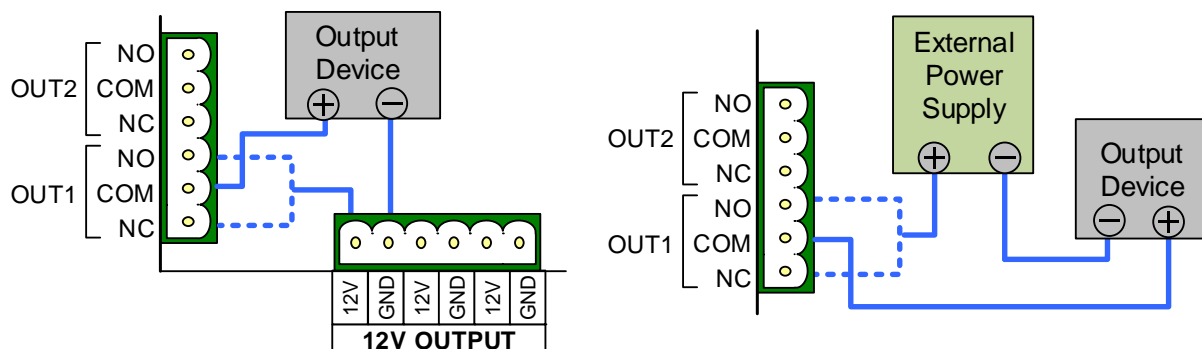


Figure 5-5

Note: If you want to use the power outputs on the GV-AS Controller, note that the maximum current of the individual voltage output is 12V, 0.9A.

5.2.4 Connecting Backup Battery

You can connect any 12V battery to GV-AS410 / 4110 / 810 / 8110 to provide backup power when the main power supply fails. When the main power supply is removed and the battery voltage level is above 10.2V, the Discharging LED will light and the battery will support normal operation of the GV-AS410 / 4110 / 810 / 8110.

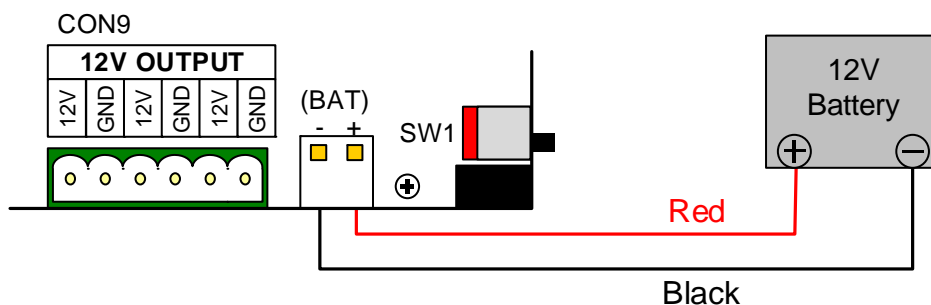


Figure 5-6

5.2.5 Connecting the Power

You can connect GV-AS410 / 4110 / 810 / 8110 to power directly using the supplied 12V DC adaptor. After power is connected, the power LED on GV-AS410 / 810 should glow.

Note: Power should only be applied to the unit when all connections are completed and tested.

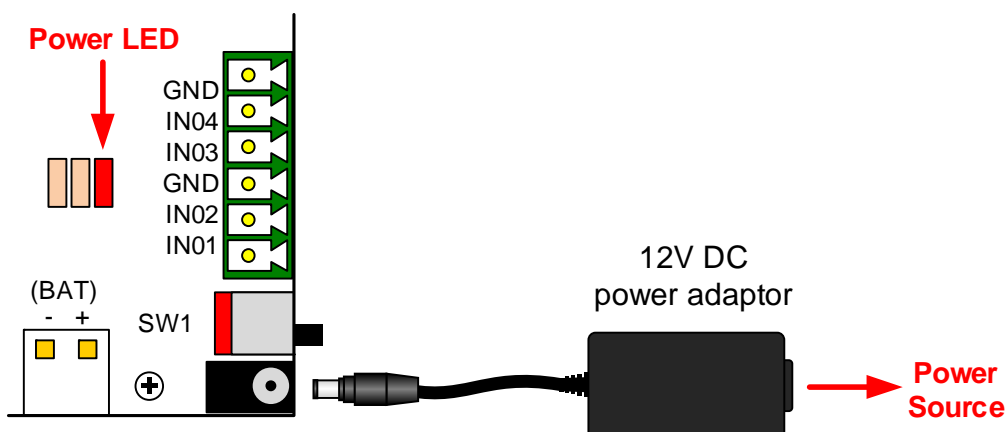


Figure 5-7

5.2.6 Connecting the PC

Connecting GV-AS410 / 4110 / 810 / 8110 to a computer allows you to access its Web interface and connect it to GV-ASManager if the computer is installed with GV-ASManager. The computer running GV-ASManager software can be used to monitor the access information and alarm messages from GV-AS410 / 4110 / 810 / 8110. If connection with GV-ASManager is interrupted, GV-AS410 / 4110 / 810 / 8110 stores this information on the supplied micro SD card. The data stored will be sent to GV-ASManager when connection resumes.

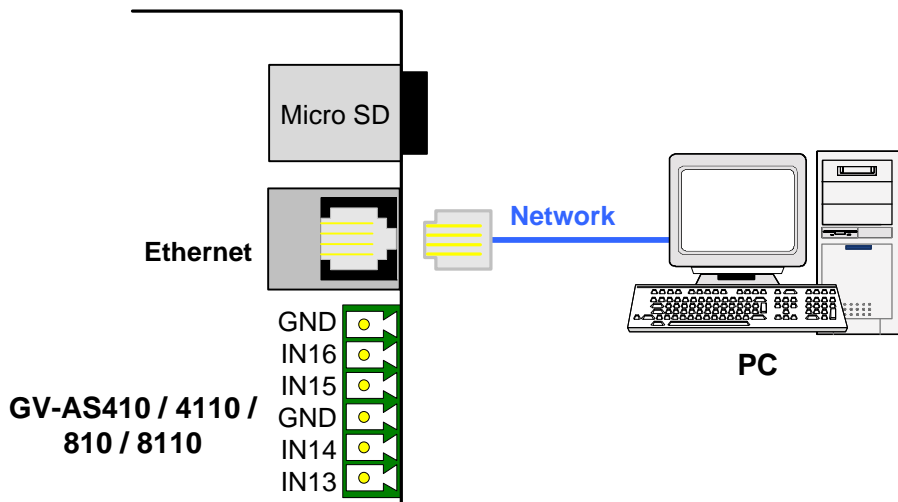


Figure 5-8

Note: GV-AS410 / 810 is only compatible with GV-ASManager V4.2.1 or later, and GV-AS4110 / 8110 is only compatible with GV-ASManager V4.2.3 or later.

5.3 Other Settings

5.3.1 Web Setting Switch

When the **Web Setting** switch is set to the ON position, you can modify **Advanced Settings** and **Extended Reader** settings of GV-AS410 / 4110 / 810 / 8110 through its Web interfaces. When the switch is set to the OFF position, Advanced Settings and Extended Reader settings are not accessible. For details on Advanced Settings and Extended Reader settings, see 8.2 *Advanced Settings* and 8.3.1 *Extended Reader*.

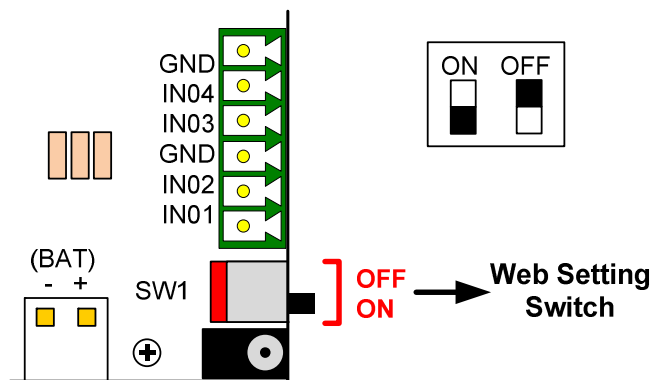


Figure 5-9

5.3.2 Resetting the GV-AS410 / 4110 / 810 / 8110

To reset GV-AS410 / 4110 / 810 / 8110, press the **Reset** button on the right side of GV-AS410 / 4110 / 810 / 8110 circuit board for three seconds.

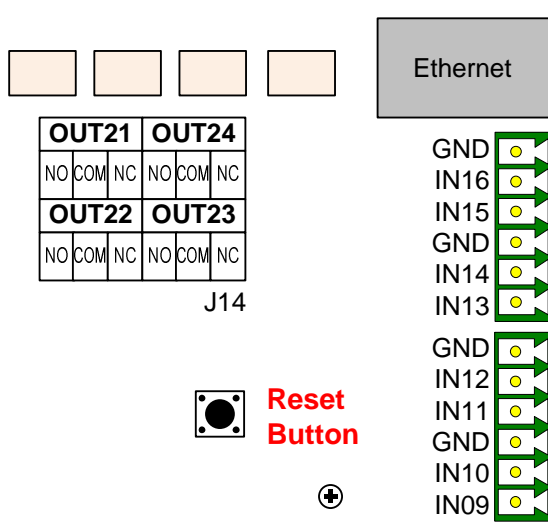


Figure 5-10

5.3.3 Restoring Factory Defaults

To restore GV-AS410 / 4110 / 810 / 8110 to factory default settings, press the **Default** button for 10 seconds.

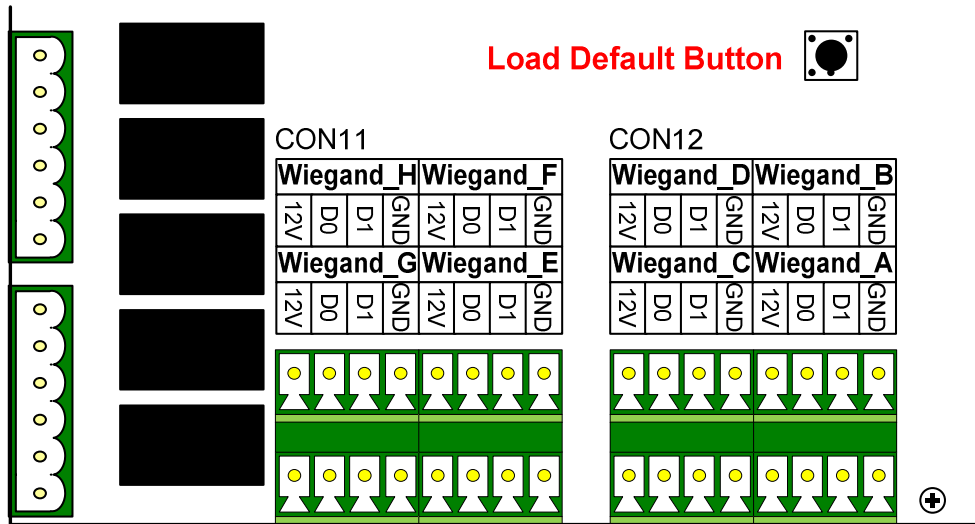


Figure 5-11

5.4 GV-AS410 / 4110 / 810 / 8110 Kit (Optional)

GV-AS410 / 4110 / 810 / 8110 Kit is a cabinet containing a GV-AS410, GV-AS4110, GV-AS810 or GV-AS8110, a power adapter board, a power supply and a casing for backup battery. The power supply provides power to GV-AS410 / 4110 / 810 / 8110 and up to 8 output devices (12V, 0.9A per device). GV-AS410 / 4110 / 810 / 8110 Kit is an optional device.

5.4.1 Packing List

- GV-AS410 Kit / GV-AS4110 Kit / GV-AS810 Kit / GV-AS8110 Kit (US standard or EU standard)
- Iron box key
- Iron box screw x 6
- Self-adhesive cable tie mounts x 6
- Power cord for battery
- Micro SD Card 2 GB
- Software CD
- Warranty Card

5.4.2 Overview

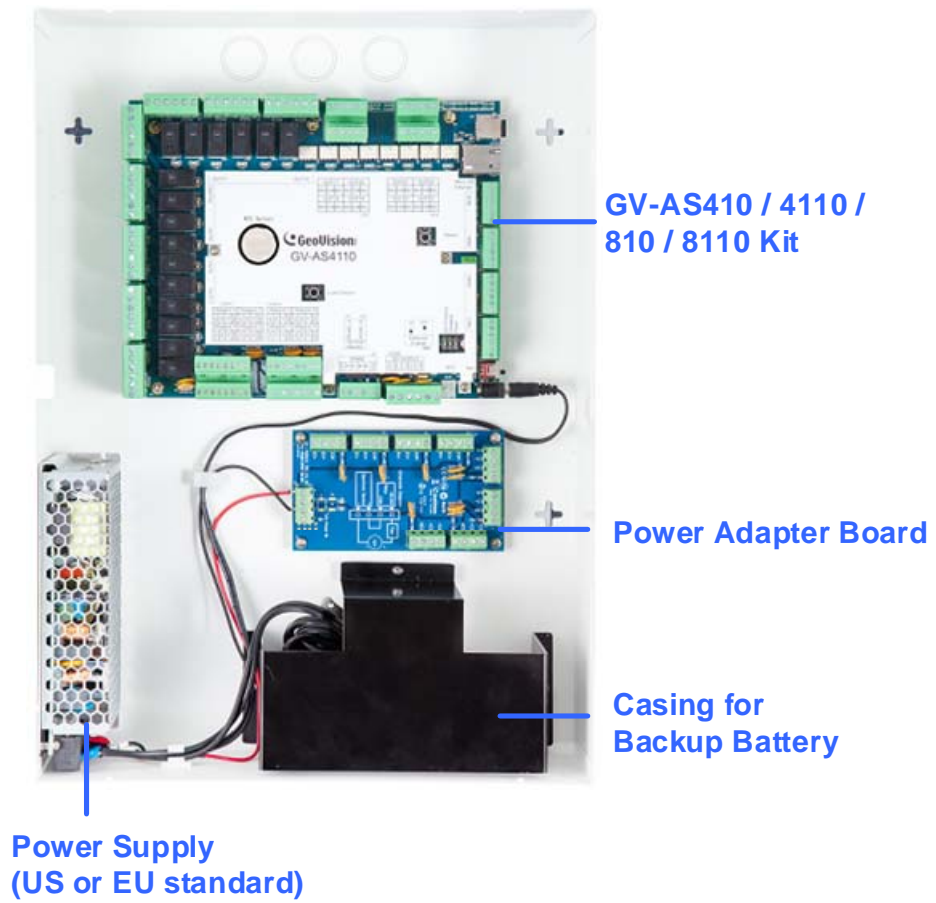


Figure 5-12

5.4.3 Connecting the GV-AS410 / 4110 / 810 / 8110 Kit

Up to 8 output devices can be powered by the power adapter board. Connect each output device to one terminal block on the board.

1. Connect the **COM** pin on GV-AS410 / 4110 / 810 / 8110's output terminal block to the corresponding pin on the power adapter board. Connect the **NC / NO** pins according to the state of the output device.

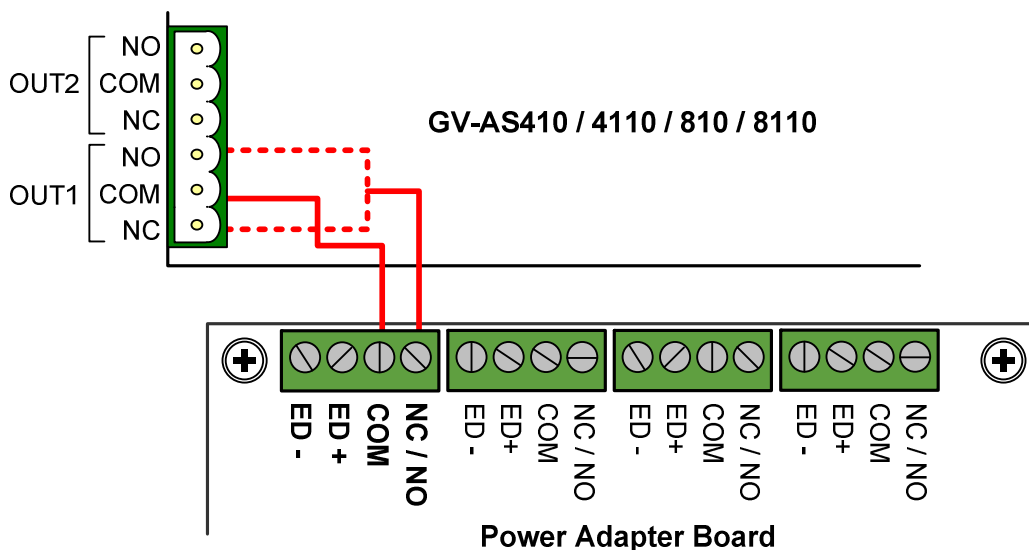


Figure 5-13

- Connect the **ED + / -** pins to the (+) and (-) points on the output device (ex: electric lock).

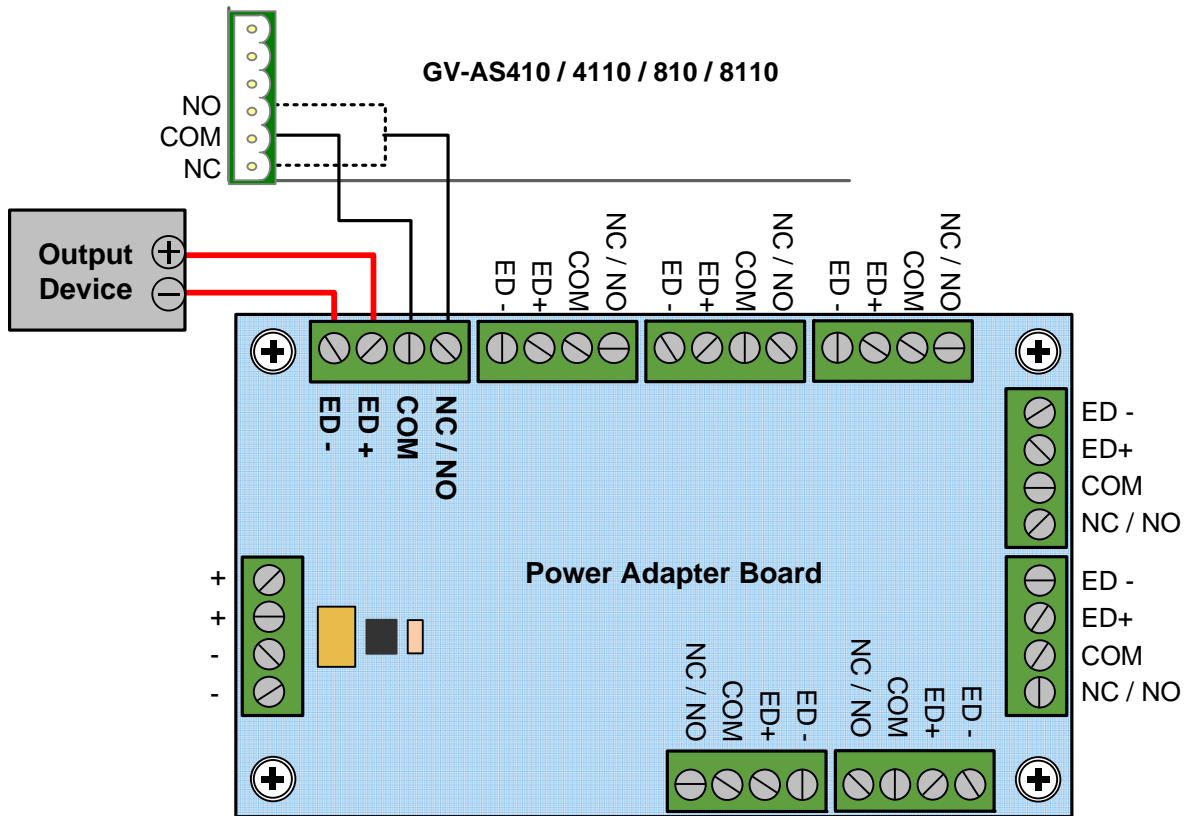


Figure 5-14

- When all connections are completed, connect the power supply to a 110-120V power source.

Note:

- The power supply of GV-AS410 / 4110 / 810 / 8110 Kit comes in US standard and EU standard. Make sure the device is connected with a voltage within its voltage range.
- You can place a backup battery in the supplied battery casing, and connect the backup battery to the GV-AS410 / 4110 / 810 / 8110 board. Refer to [5.2.4 Connecting Backup Battery](#) for details.

5.5 The Web Interface

You can install GV-AS410 / 4110 / 810 / 8110 on a network and configure GV-AS410 / 4110 / 810 / 8110 through its Web interface.

Refer to *Chapter 7 Installing on a Network* for detailed instructions on setting up a fixed or dynamic IP address to access GV-AS410 / 4110 / 810 / 8110.

Refer to *Chapter 8 The Web Interface* for details on the setup pages of the Web interface. Through the Web interface, you can configure general settings, input/output devices, associated doors/gates and connected readers.

6. GV-EV48 Controller

6.1 Introduction

GV-EV48 is an elevator controller designed to control access of 1 elevator with a maximum of 48 floors. Up to 2 GV-Readers / GV-GF Fingerprint Readers can be connected to the GV-EV48 using RS-485 connection and network connection. Up to 48 I/O ports of any GV-I/O Box 4/8/16 Ports can be connected to GV-EV48 using RS-485 connection. GV-EV48 can recognize identification cards and grant access to the authorized floors only.

6.1.1 Main Features

- Grant access to specific elevator floors using access cards, card's PIN code or fingerprints
- **GV-EV48 – 24 Floors:** Built-in 24 relay outputs to support up to 24 elevator floors
- **GV-EV48 – 48 Floors:** Built-in 48 relay outputs to support up to 48 elevator floors
- Support up to 2 GV-Readers / GV-GF Fingerprint Readers through network connection and RS-485 connection
- Support up to 48 I/O ports of any GV-I/O Box 4/8/16 Ports through RS-485 connection

6.1.2 Packing List

- GV-EV48 – 24 Floors / 48 Floors
- Power Adaptor 12V DC / 3A
- Power Cord
- Battery Cable
- Screw x 8
- Hex Nut x 8
- Hex Pillar x 8
- Micro SD Card 2 GB
- Software CD
- Warranty Card

6.1.3 GV-EV48 Board Layout

Not Functional for GV-EV48 – 24 Floors

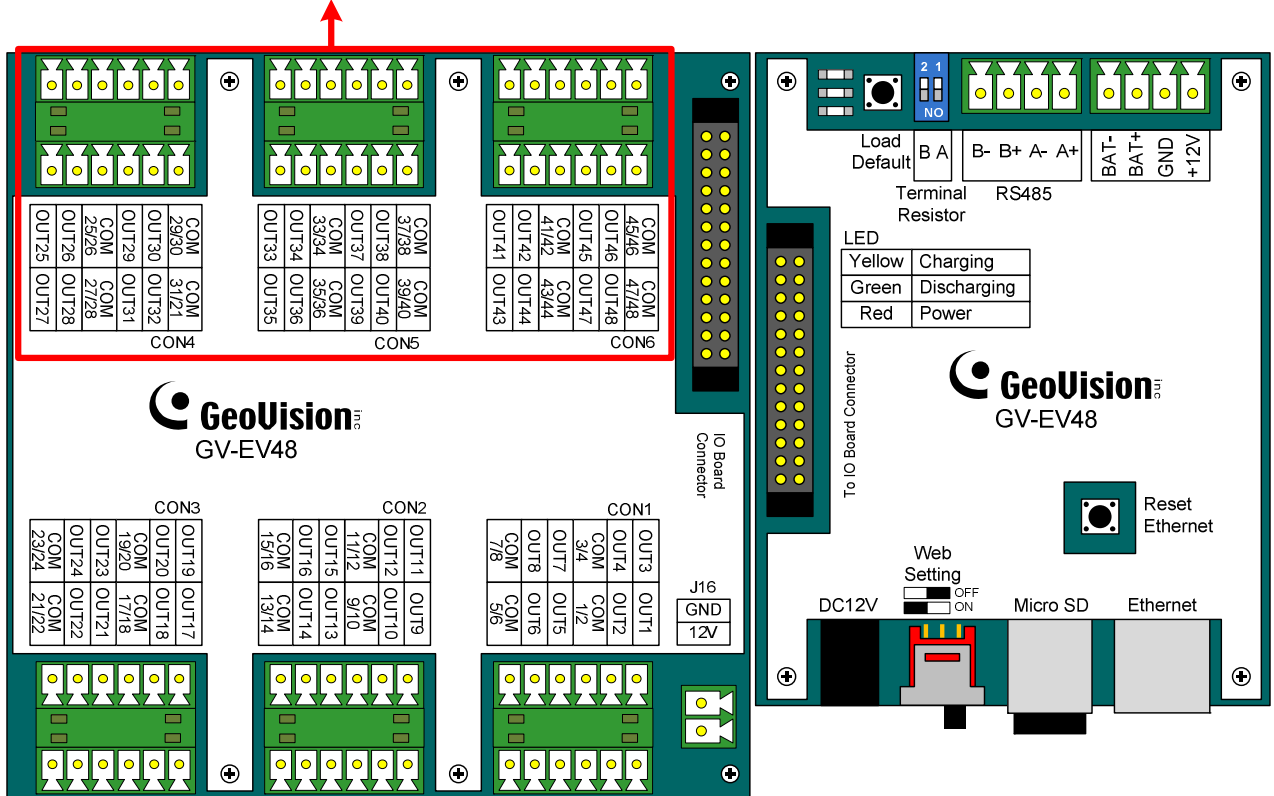


Figure 6-1

6.2 Installation

6.2.1 Connecting RS-485 Card Readers

With a single RS-485 cable, you can connect up to 2 GV-Readers and / or GV-GF Fingerprint Readers to the RS-485 interface on GV-EV48.

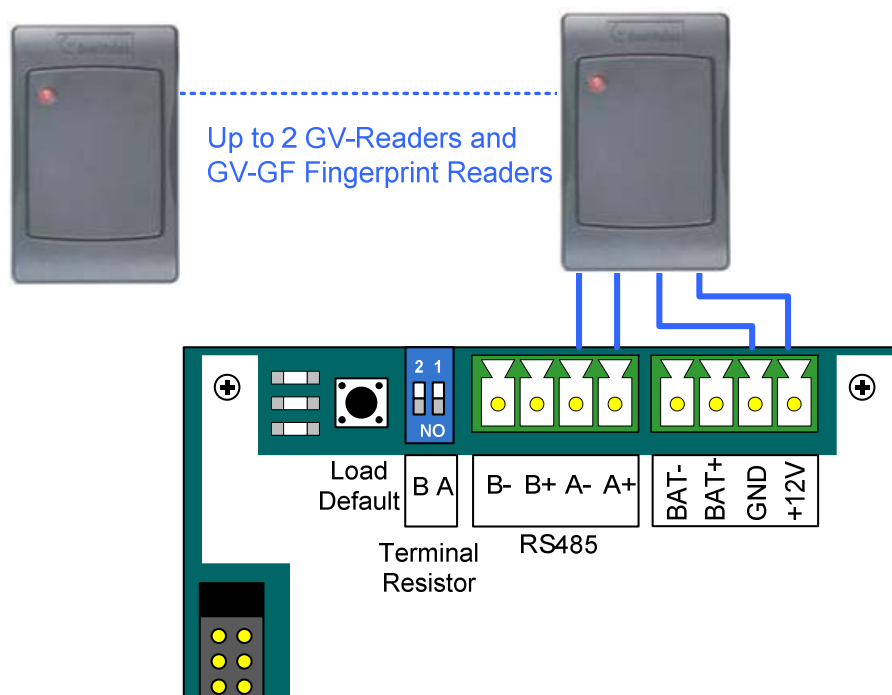


Figure 6-2

To connect to GV-CR420 or GV-GF1921 / 1922 through network connection, refer to 8.3.1 *Extended Reader* for details.

Note: When the RS-485 connection between GV-EV48 and the reader is over a long distance, you can turn ON the RS485 A Terminal switch if the signal is unstable.

6.2.2 Connecting GV-I/O Boxes

A GV-I/O Box gives you freedom to define the input and output signals connected to GV-EV48 at your convenience. You can connect up to 48 I/O ports of any GV-I/O Box 4/8/16 Ports through RS-485 wiring. That means a maximum of 3 modules of GV-I/O Box 16 Ports connected to the RS-485 Port B pins on GV-EV48.

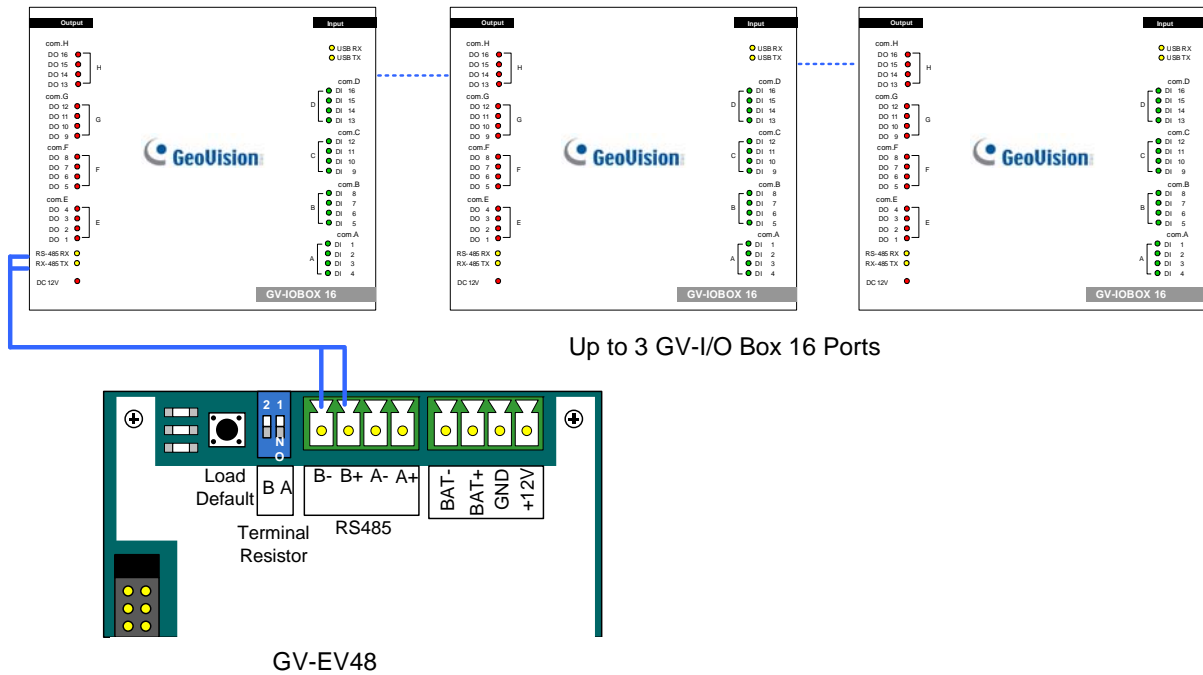


Figure 6-3

After wiring the GV-I/O Box, refer to [8.4 Extended I/O BOX Configuration](#) to identify the connected GV-I/O Box.

6.2.3 Connecting Output Relay

Up to 24 output relays can be connected to the GV-EV48-24 Floors to control up to 24 elevator floors. Up to 48 output relays can be connected to the GV-EV48-48 Floors to control up to 48 elevator floors. Each output relay is set to control access to a corresponding floor in the elevator.

To connect output relay:

Connect the output relay on the GV-EV48 to the corresponding floor on the elevator control panel. Next, connect the COM on the GV-EV48 to the COM on the elevator control panel.

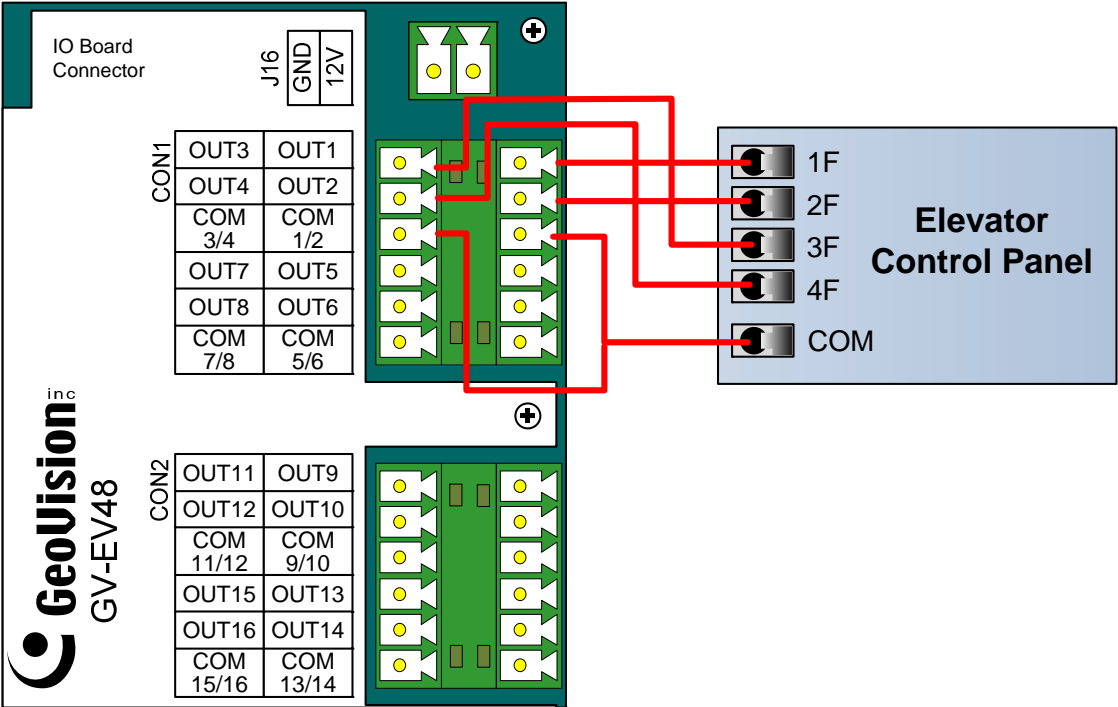


Figure 6-4

6.2.4 Connecting Backup Battery

Using the supplied battery cable, you can connect any 12V battery to GV-EV48 to provide backup power when the main power supply fails. When the main power supply is removed and the battery voltage level is above 10.2V, the Discharging LED will light and the battery will support normal operation of the GV-EV48.

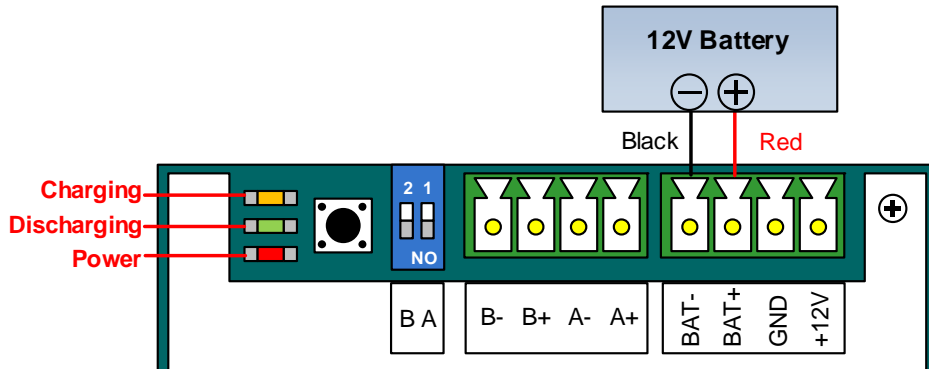


Figure 6-5

6.2.5 Connecting the Power

You can connect GV-EV48 to power directly using the supplied 12V DC adaptor. After power is connected, the power LED on GV-EV48 should glow.

Note: Power should only be applied to the unit when all connections are completed and tested.

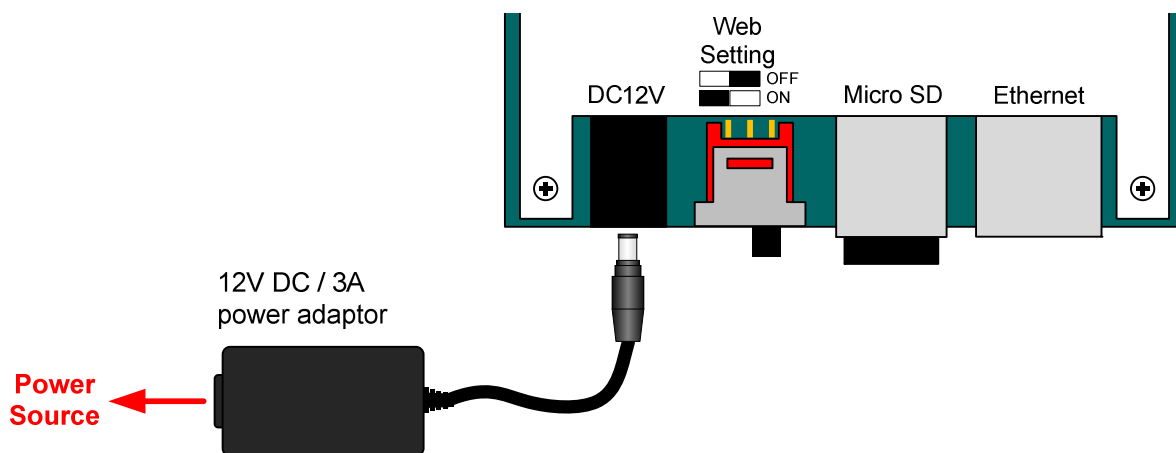


Figure 6-6

6.2.6 Connecting the PC

Connecting GV-EV48 to a computer allows you to access its Web interface and connects it to GV-ASManager if the computer is installed with GV-ASManager. The computer running GV-ASManager software can be used to monitor access information from GV-EV48. If connection with GV-ASManager is interrupted, GV-EV48 stores this information on the supplied micro SD card. The data stored will be sent to GV-ASManager when connection resumes.

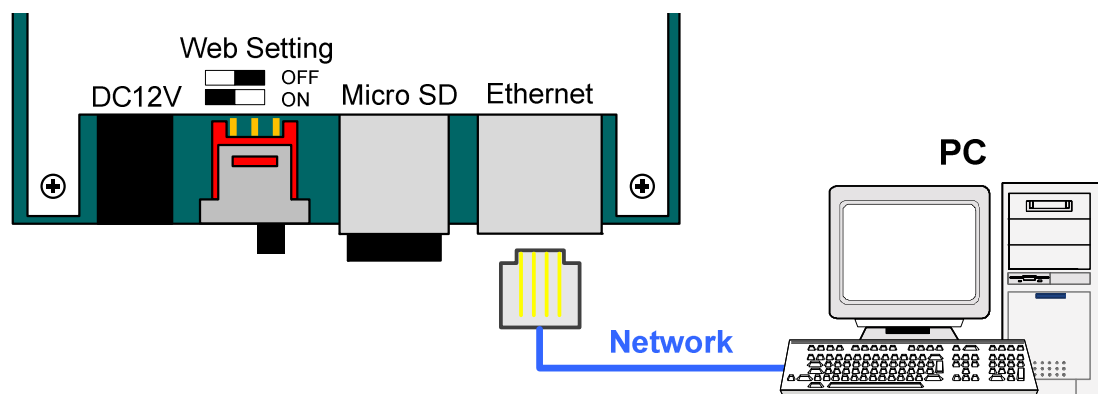


Figure 6-7

Note: GV-EV48 is only compatible with GV-ASManager V4.2.1 or later.

6.3 Other Settings

6.3.1 Web Setting Switch

When the **Web Setting** switch is set to the ON position, you can modify **Advanced Settings** and **Extended Reader** settings of GV-EV48 through its Web interfaces. When the switch is set to the OFF position, Advanced Settings and Extended Reader settings are not accessible. For details on Advanced Settings and Extended Reader settings, see 8.2 *Advanced Settings* and 8.3.1 *Extended Reader*.

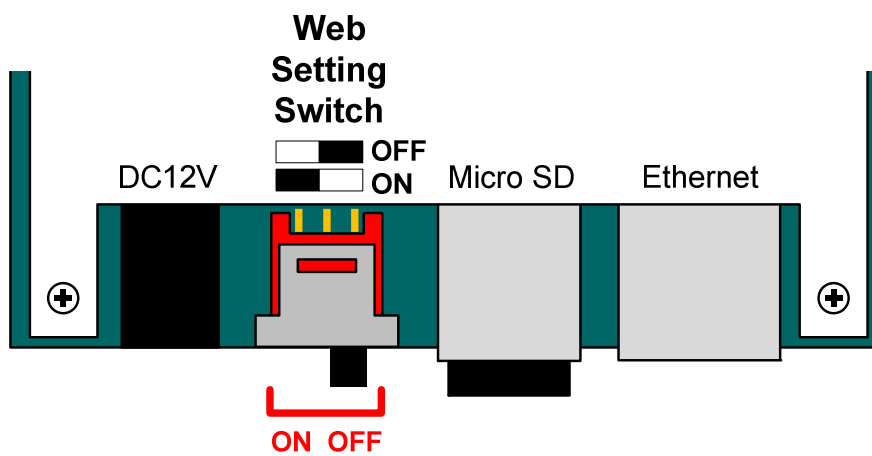


Figure 6-8

6.3.2 Resetting the GV-EV48

To reset GV-EV48, press the **Reset** button on the right side of GV-EV48 circuit board for three seconds.

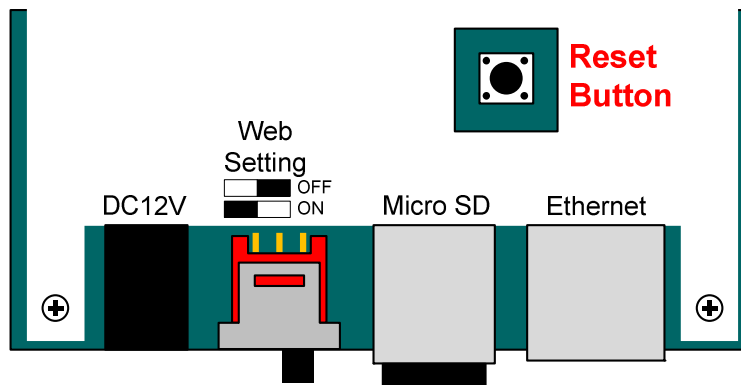


Figure 6-9

6.3.3 Restoring Factory Defaults

To restore GV-EV48 to factory default settings, press the **Default** button for 10 seconds.

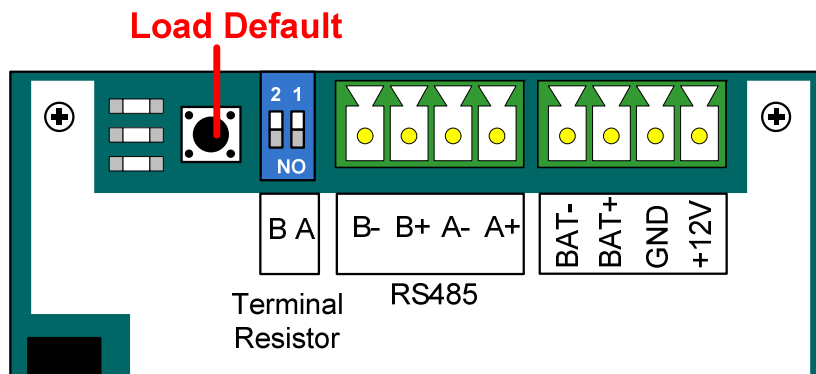


Figure 6-10

6.4 The Web Interface

You can install GV-EV48 on a network and configure GV-EV48 through its Web interface.

Refer to *Chapter 7 Installing on a Network* for detailed instructions on setting up a fixed or dynamic IP address to access GV-EV48.

Refer to *Chapter 8 The Web Interface* for details on the setup pages of the Web interface. Through the Web interface, you can configure general settings, specify which floors are restricted and establish connection with associated readers.

7. Installing on a Network

You can install GV-AS1010 / 1110 / 210 / 2110 / 2120 / 410 / 4110 / 810 / 8110 and GV-EV48 on a network and set up general settings, doors/gates/elevators, readers, and input/output devices through its Web interface. Through the network connection, you can also connect GV-AS / GV-EV Controller to GV-ASManager for more comprehensive management.

Note:

1. To access the Web interface of GV-AS100 / 110 / 120 and allow communication with GV-ASManager over the network, a GV-ASBox or GV-ASNet is required. Refer to *Chapter 9 Optional Devices* for more details.
 2. The Web interface varies for different GV-AS Controller models.
-

The GV-AS / GV-EV Controller must first be assigned an IP address to make it accessible on the network.

1. Connect the network cable to the **Ethernet** port on GV-AS / GV-EV Controller.
2. Use a computer on the same LAN with the controller to assign an IP address.
 - The default address is <https://192.168.0.100>
 - The default Username and Password for login are **admin**

Note the computer used to set the IP address must be on the same network or subnet sequence assigned to the controller.

3. GV-AS / GV-EV Controller is able to support two network environments: **Fixed IP** for a static IP address and **DHCP** for a dynamic IP address assigned by an ISP or DHCP server. Based on your network environment, refer to the next two sections for setup.

7.1 Fixed IP Connection

If your network environment supports a static IP address, the wiring is illustrated as below:

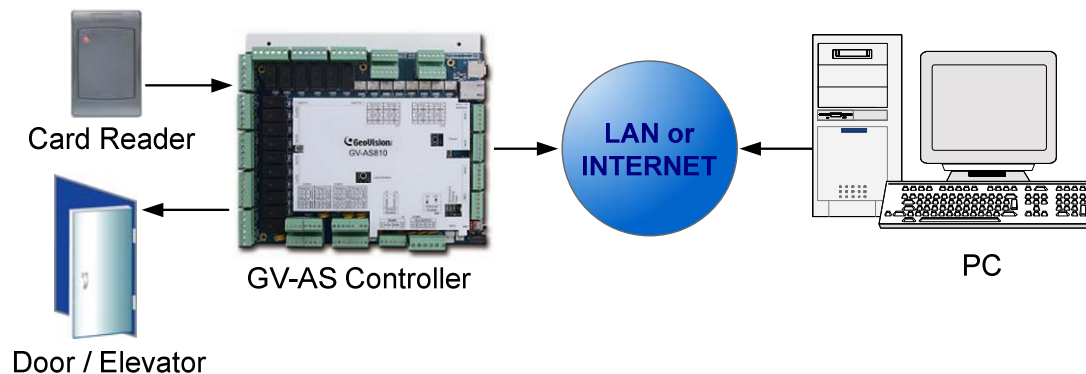


Figure 7-1

To assign the GV-AS / GV-EV Controller to a fixed IP:

1. Open an Internet browser, and type the default IP address <https://192.168.0.100>. This dialog box appears.

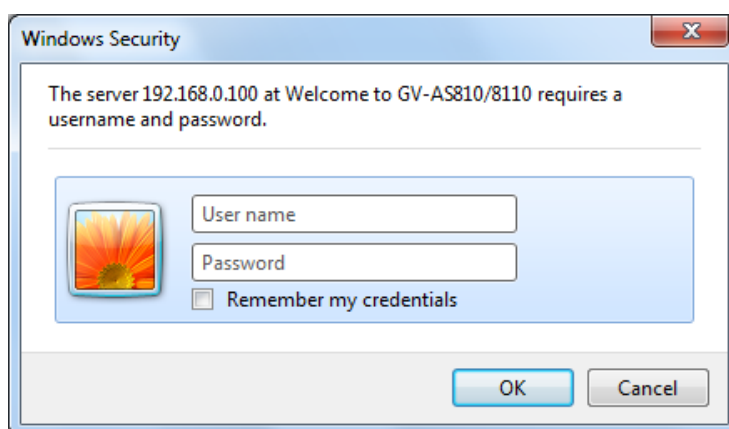
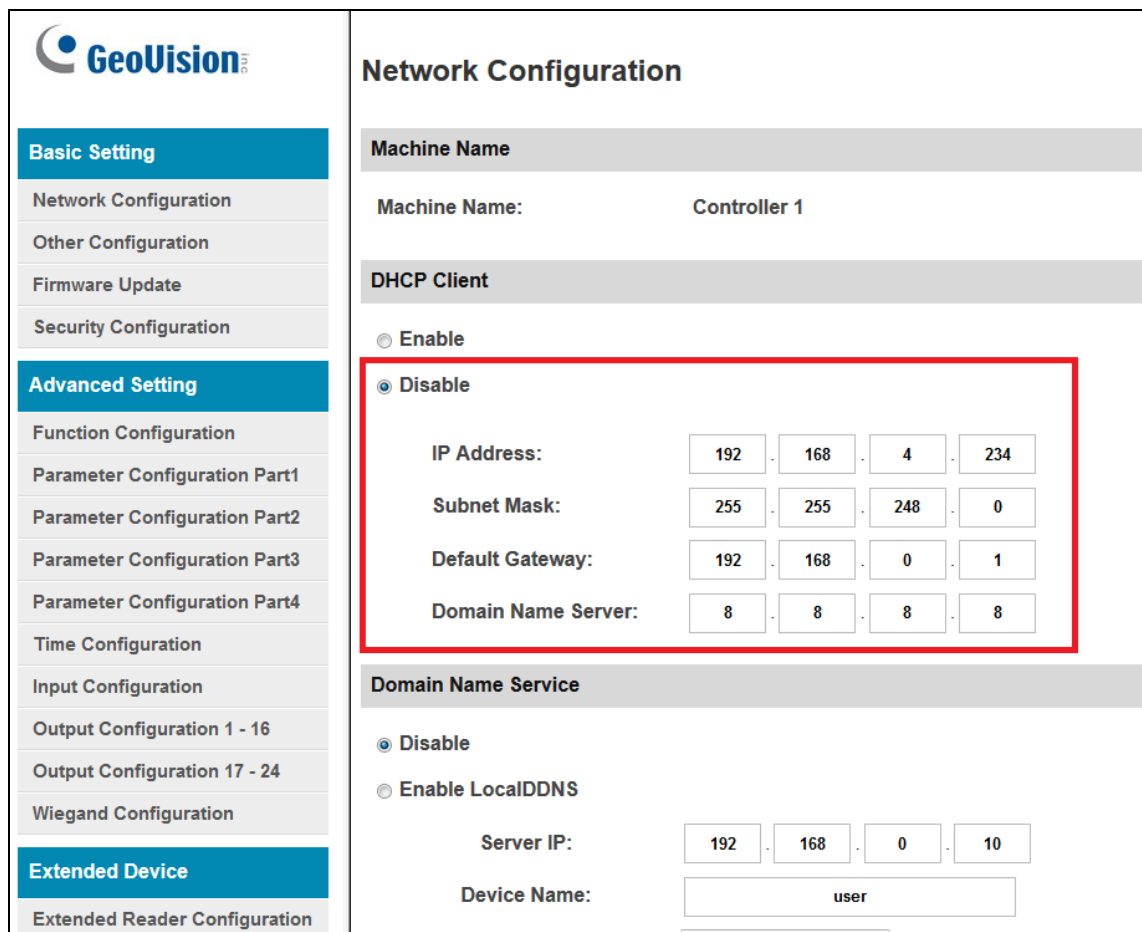


Figure 7-2

2. Type the default value **admin** for both User name and Password, and click **OK**. This page appears.



GeoVision

Basic Setting

- Network Configuration
- Other Configuration
- Firmware Update
- Security Configuration

Advanced Setting

- Function Configuration
- Parameter Configuration Part1
- Parameter Configuration Part2
- Parameter Configuration Part3
- Parameter Configuration Part4
- Time Configuration
- Input Configuration
- Output Configuration 1 - 16
- Output Configuration 17 - 24
- Wiegand Configuration

Extended Device

- Extended Reader Configuration

Network Configuration

Machine Name

Machine Name: Controller 1

DHCP Client

Enable

Disable

IP Address: 192 . 168 . 4 . 234

Subnet Mask: 255 . 255 . 248 . 0

Default Gateway: 192 . 168 . 0 . 1

Domain Name Server: 8 . 8 . 8 . 8

Domain Name Service

Disable

Enable LocalDDNS

Server IP: 192 . 168 . 0 . 10

Device Name: user

Figure 7-3

3. In the **DHCP Client** section, click **Disable**. Type the static IP address information, including IP Address, Subnet Mask, Default Gateway and Domain Name Server.
4. Click **Submit**. When the setting is complete, the Status field will indicate *Register Success*. Then GV-AS / GV-EV Controller can be accessed with this fixed IP address.

Note: If you like to use the domain name instead of IP address, you may use Domain Name Service as well. For details on domain name service, see [7.2 DHCP Connection](#).

7.2 DHCP Connection

If your network environment is using the dynamic IP address from a DHCP server, use one of the following DDNS servers to map a dynamic IP address to a static domain name or device name:

- For LAN connection, GV LocalDDNS Server is provided.
- For Internet connection, two DDNS servers are supported: GeoVision DDNS Server and Dynamic Network Services Inc. (DynDNS).

7.2.1 Connection over LAN

GeoVision's **GV LocalDDNS Server** can map the changing IP address of your controller to a device name, allowing you to access the controller using the device name.

The Local DDNS Server can be installed in either GV-ASManager or a separate computer. The wiring of the LocalDDNS application is illustrated as below.

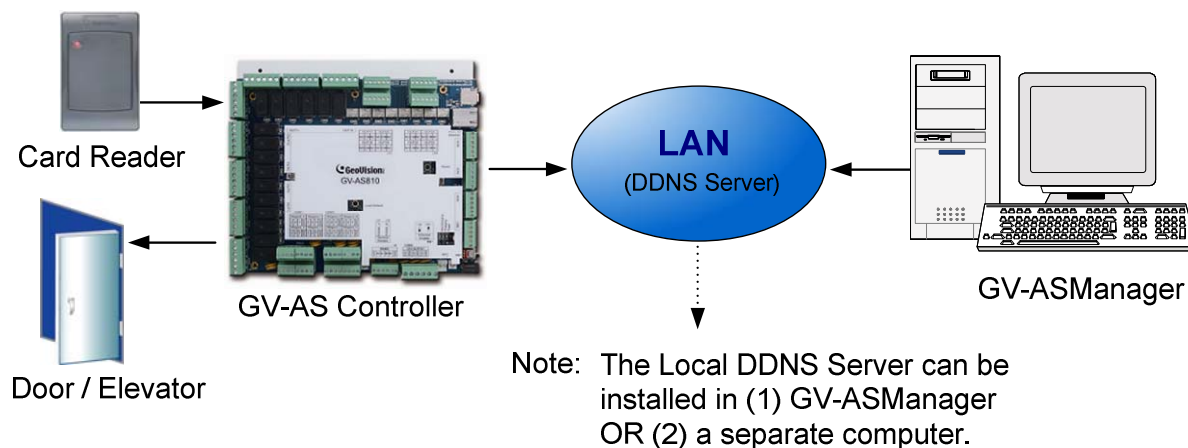


Figure 7-4

Installing LocalDDNS Server

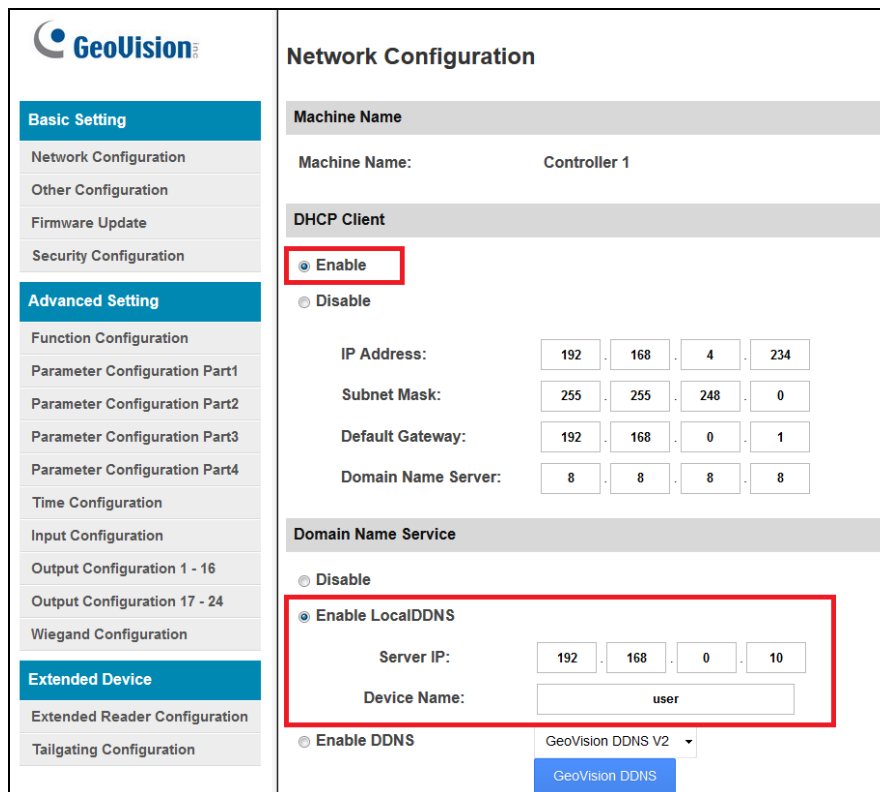
To install the LocalDDNS Server in a computer, download **GV-Local DDNS Service** from http://www.geovision.com.tw/english/5_8_AS.asp under the Supplemental Utilities section. Follow the on-screen instructions to install the application. After Installation, the program will be minimized to the system tray.



Configuring Controller on LAN

After running the LocalDDNS Server, configure the controller on LAN:

1. Open an Internet browser, and type the default IP address <https://192.168.0.100>. The login dialog box appears.
2. In the User Name and Password fields, type default value **admin** and **admin** respectively. Click **OK**. The Network Configuration page appears.
3. Click **Enable** under DHCP Client, and select **Enable Local DDNS**.
4. In the Server IP fields, type the IP address of the LocalDDNS Server.



GeoVision

Network Configuration

Machine Name

Machine Name: Controller 1

DHCP Client

Enable

Disable

IP Address: 192 . 168 . 4 . 234

Subnet Mask: 255 . 255 . 248 . 0

Default Gateway: 192 . 168 . 0 . 1

Domain Name Server: 8 . 8 . 8 . 8

Domain Name Service

Disable

Enable LocalDDNS

Server IP: 192 . 168 . 0 . 10

Device Name: user

Enable DDNS

GeoVision DDNS V2

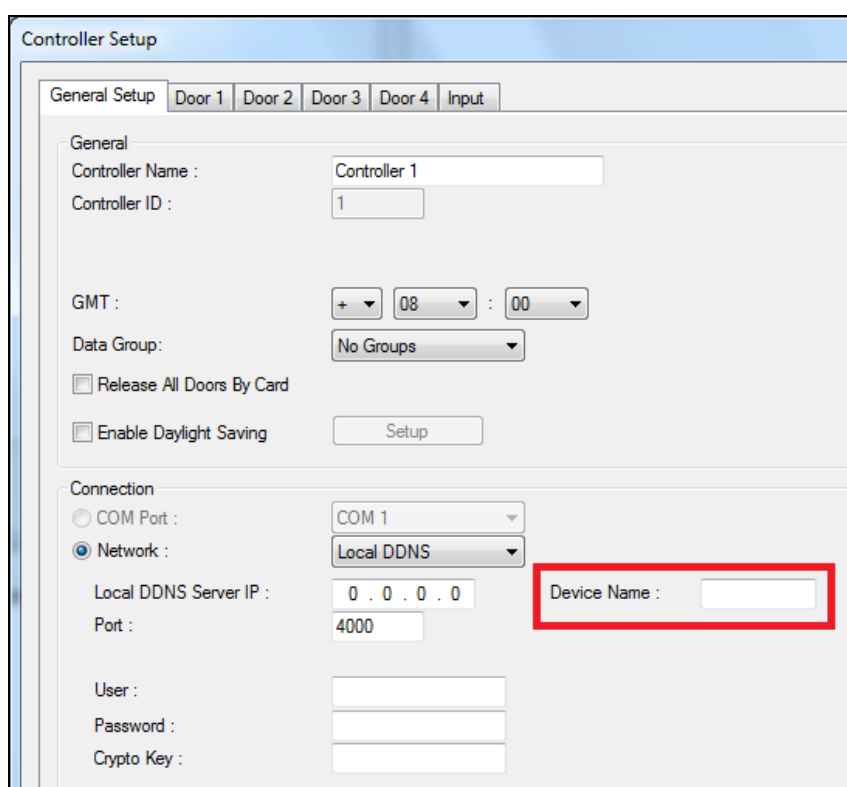
GeoVision DDNS

Figure 7-5

5. In the Device Name field, keep the default setting or change it to match that of the GV-ASManager.
6. Click **Submit** to send the information to the LocalDDNS Server. When the setting is complete, the Status field will indicate: *Register Success*. Then the controller can be accessed with the device name.

Note:

1. The default value of Device Name is **user**. If more than one controller is connected to the GV-ASManager, assign each controller a different device name.
2. To access the **Device Name** on GV-ASManager, open the Controller Setup dialog box, and select **LocalDDNS** in the Network drop-down list.



The screenshot shows the 'Controller Setup' dialog box with the 'General Setup' tab selected. The 'General' section includes fields for 'Controller Name' (set to 'Controller 1') and 'Controller ID' (set to '1'). There are also GMT settings, a 'Data Group' dropdown (set to 'No Groups'), and checkboxes for 'Release All Doors By Card' and 'Enable Daylight Saving'. The 'Connection' section has 'COM Port' set to 'COM 1' and 'Network' set to 'Local DDNS'. The 'Local DDNS Server IP' is '0 . 0 . 0 . 0', and the 'Port' is '4000'. The 'Device Name' field is highlighted with a red box. Below these are fields for 'User', 'Password', and 'Crypto Key'.

Figure 7-6

7.2.2 Connection over Internet

DDNS (Dynamic Domain Name System) provides another way of accessing GV-AS / GV-EV Controller when using a dynamic IP. DDNS assigns a domain name to the controller, so the GV-ASManager can always access the controller by using the domain name.

To enable the DDNS function, you should first apply for a domain name from the website of the DDNS service provider. There are 2 providers listed in the controller: GeoVision DDNS (V2) and DynDNS.org. To register at the GeoVision DDNS Server, see the following instructions. For details on DynDNS, please consult them at www.dyndns.org.

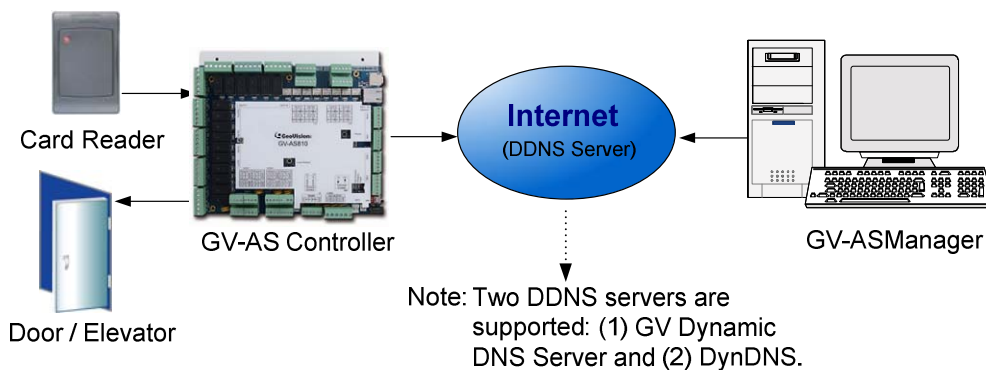


Figure 7-7

Registering a DDNS Domain Name

Note that the interface may vary slightly for GeoVision DDNS Server V1 and V2. To obtain a domain name from the GeoVision DDNS Server:

1. Click the **GeoVision DDNS** button on the Network Configuration page (Figure 7-5). Or open an Internet browser, and type the Web address <http://ns.dipmap.com/register.aspx>. This page appears.

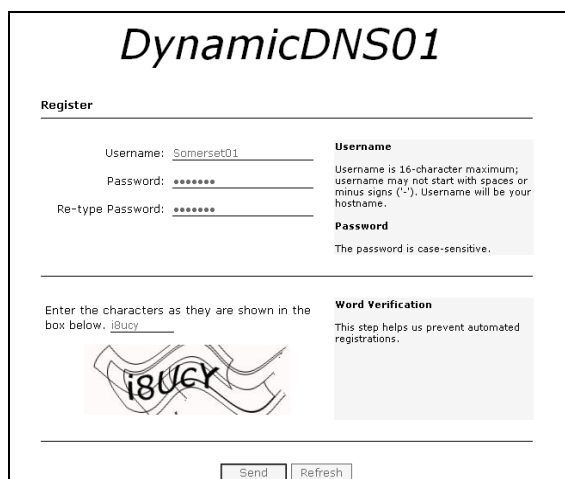


Figure 7-8

2. In the Username field, type a name. Username can be up to 16 characters with the choices of “a ~ z”, “0 ~9”, and “-”. Note that space or “-” cannot be used as the first character.
3. In the Password field, type a password. Passwords are case-sensitive and must be at least 6 characters. Type the password again in the Re-type Password field for confirmation.
4. In the Word Verification section, type the characters or numbers shown in the box. For example, type *i8UCY* in the required field. Word Verification is not case-sensitive.
5. Click the **Send** button. When the registration is complete, this page will appear. The **Hostname** is the domain name, consisting of the registered username and “dipmap.com”, e.g. somerset01.dipmap.com.

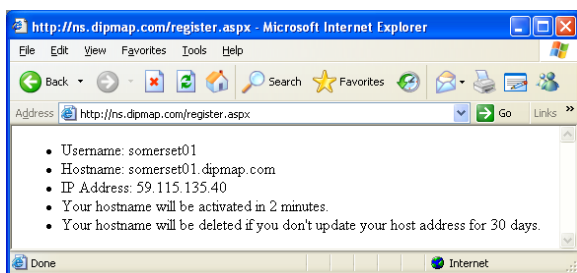


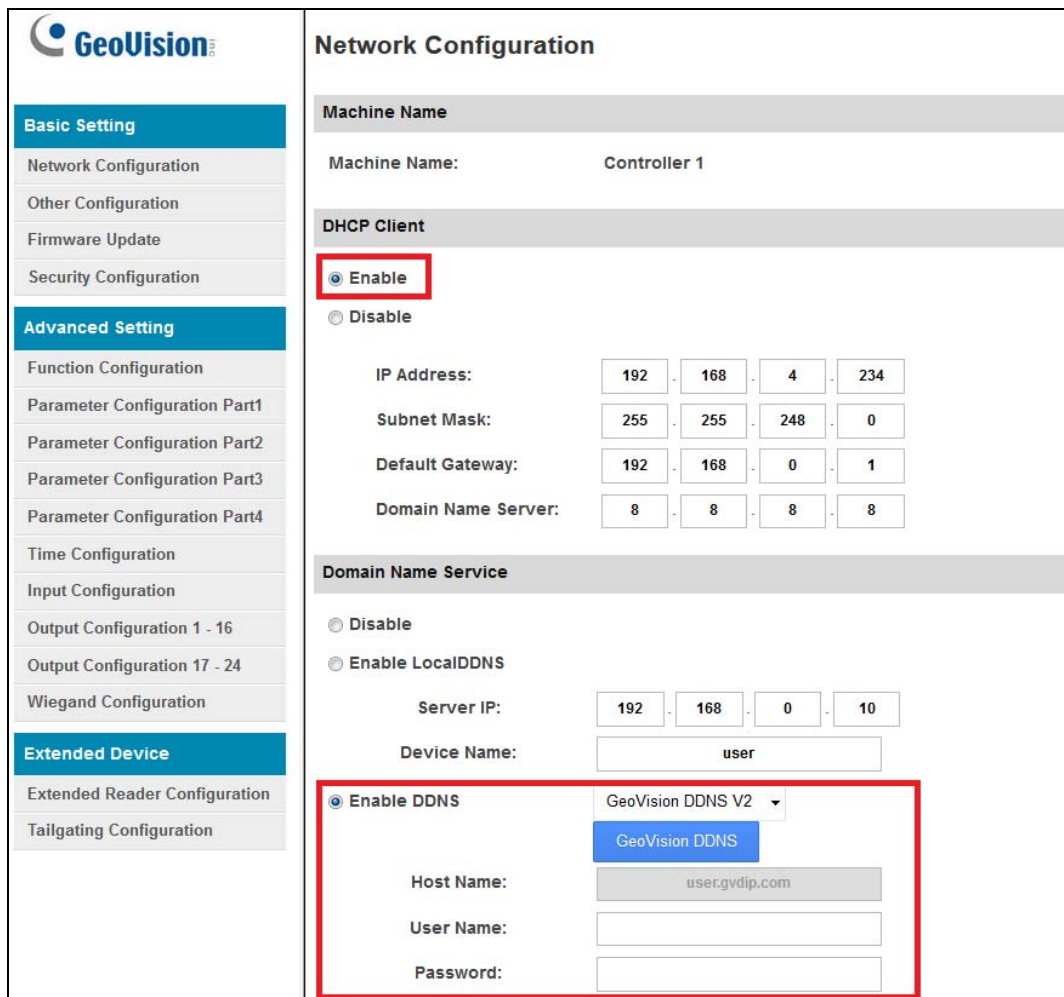
Figure 7-9

Note: The registered username will be invalid when it is not used for one month.

Configuring the GV-AS / GV-EV Controller on Internet

After acquiring a domain name from the DDNS Server, you need to configure the registered domain name on the controller to access the controller by the domain name on Internet.

1. Open an Internet browser, and type the default IP address <https://192.168.0.100>. The login dialog box (Figure 7-2) appears.
2. In the User Name and Password fields, type default value **admin** and **admin** respectively. Click **OK**. The Network Configuration page (Figure 7-10) appears.
3. Click **Enable**, and select **Send to DDNS**.
4. Type **Host Name**, **User Name** and **Password** that are registered on the DDNS Server. If you select **GeoVision DDNS**, the system will automatically bring up the Host Name.



GeoVision

Network Configuration

Machine Name

Machine Name: Controller 1

DHCP Client

Enable

Disable

IP Address: 192 . 168 . 4 . 234

Subnet Mask: 255 . 255 . 248 . 0

Default Gateway: 192 . 168 . 0 . 1

Domain Name Server: 8 . 8 . 8 . 8

Domain Name Service

Disable

Enable LocalDDNS

Server IP: 192 . 168 . 0 . 10

Device Name: user

Enable DDNS

GeoVision DDNS V2

GeoVision DDNS

Host Name: user.gvdip.com

User Name:

Password:

Figure 7-10

5. Click **Submit**. When the setting is complete, the Status field will indicate: *Register Success*. Then GV-AS / GV-EV Controller can be accessed with the domain name.

8. The Web Interface

After installing the GV-AS / GV-EV Controller on the network, you can configure the controller settings on the Web interface. The left menu of the Web interface is divided into three sections: **Basic Setting**, **Advanced Setting** and **Extended Device**. The options available vary among different controller models.

Basic Setting
Network Configuration
Other Configuration
Firmware Update
Security Configuration
Advanced Setting
Function Configuration
Parameter Configuration Part1
Parameter Configuration Part2
Parameter Configuration Part3
Parameter Configuration Part4
Time Configuration
Input Configuration
Output Configuration 1 - 16
Output Configuration 17 - 24
Wiegand Configuration
Extended Device
Extended Reader Configuration
Tailgating Configuration

Figure 8-1

Note: **Tailgating Configuration** is not supported by GV-AS Controllers firmware V1.40 or later.

8.1 Basic Settings

The Basic Settings section covers general system settings, firmware update and user account settings. For details on Network Setting, refer to *Chapter 7 Installing on a Network*.

8.1.1 System Setup

In the left menu, click **Other Configuration**. This page appears.

Other Configuration

3DES Code

3DES Code1: (characters 8 ~ 24)

3DES Code2: (option)

3DES Code3: (option)

Device Port

Device Port: (from 1025 to 65535)

SD Card

Capacity: total: 1917192kB free: 1915624kB (99.30%)

Mac Address / Firmware Version

Mac Address: 00:13:e2:0d:61:19

Firmware Version: V1.3.0-20150320

Reboot System / Set Default

Reboot System:

Configuration Control

Default Value:

Backup Configuration:

Select File:

Restore Configuration:

Figure 8-2

- **3DES Code 1-3:** Stands for Triple DES (Data Encryption Standard). Type up to three different keys for data encryption. The default 3DES Code1 is **12345678**.
- **Device Port:** Keeps the default value **4000**. Or modify it to match that of GV-ASManager.
- **SD Card:** Indicates capacity of the SD card inserted and allows you to format the SD card. To safely remove the inserted SD card, click **Unmount**. To check and repair the SD card, click **Check**. These functions are only available for GV-AS210 / 2110 / 2120 / 410 / 4110 / 810 / 8110.
- **Mac Address:** Indicates the MAC address of the network medium.
- **Firmware Version:** Indicates the current firmware version of the controller.
- **Reboot System:** Performs a warm boot of the controller. This operation will keep the current configuration.
- **Default Value:** Resets all configuration parameters to their factory settings. This may take 5 seconds to complete.
- **Backup Configuration:** To backup controller settings, click the **Download Backup** button. A .bin file will be exported. You can then import the file to other controllers to avoid setting each controller individually. Note that network settings such as IP address and hardware ID will NOT be included in the backed up file.
- **Restore Configuration:** To import controller settings, click **Browse** to select the .bin file previously exported, and click the **Upload** button.

Note: The Backup Configuration and Restore Configuration functions are only available for the following controllers:

- GV-AS210 / 2110 / 2120 / 410 / 4110 / 810 / 8110 V1.23 or later
 - GV-AS1010 / 1110
 - GV-EV48 V1.12 or later.
-

8.1.2 Upgrading Firmware

Follow the steps below to update the firmware of the controller.

1. In the left menu, click **Firmware Update**. This page appears.

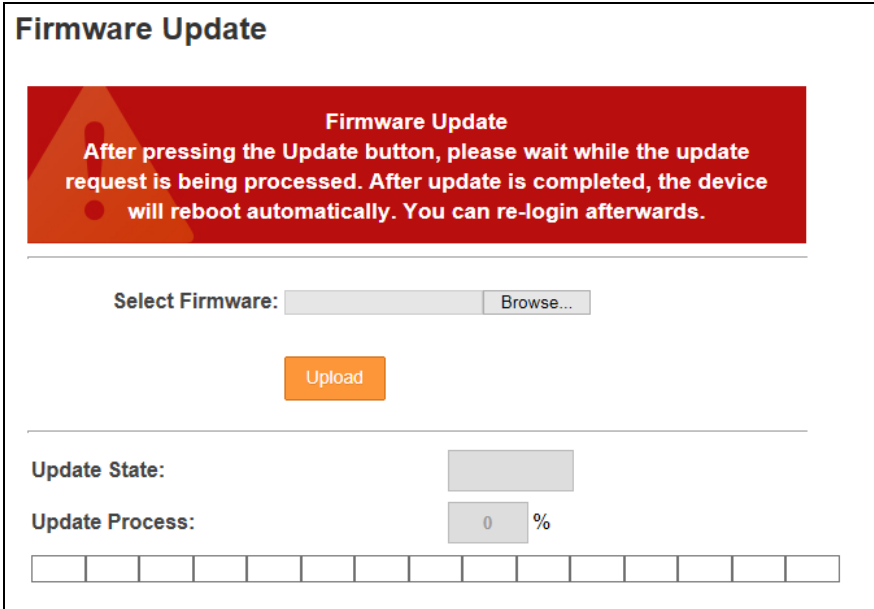


Figure 8-3

2. Click the **Browse...** button to open the firmware file (*.bin)
3. Click the **Upload** button. This update procedure may take 60 seconds to complete.
4. When the Update is complete, a dialog box appears and asks you to reboot the system.

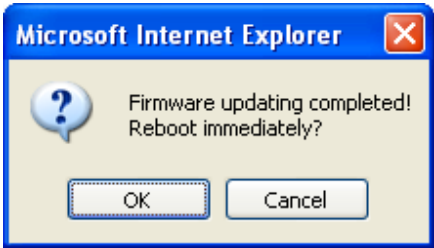


Figure 8-4

5. Click **OK**. The controller starts the Reboot operation.

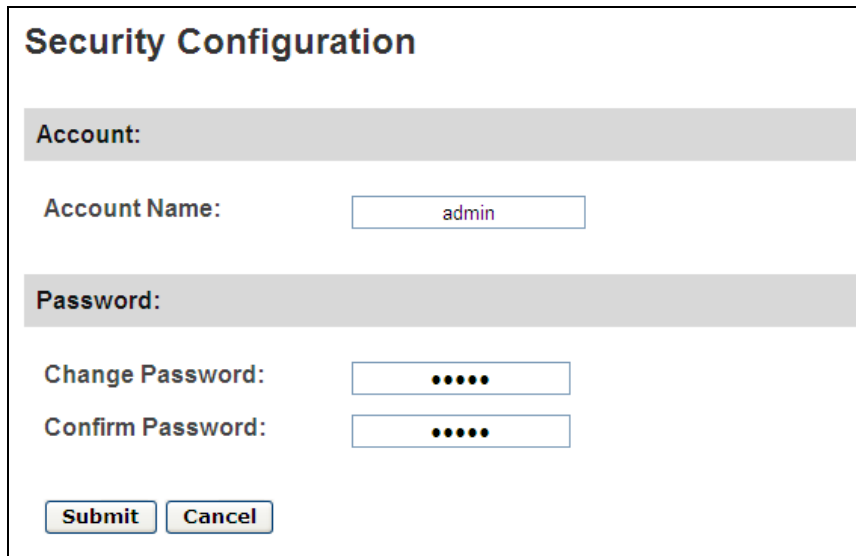
Note:

1. Make sure the controller remains powered on during the firmware upgrade.
 2. It is required to reboot controller after firmware update. Without rebooting, the firmware update is not complete.
-

8.1.3 Changing Login ID and Password

To change the login ID and password:

1. In the left menu, click **Security Configuration**.
2. Modify the login name and password. The password is case sensitive and is limited to alphabets and numbers.



The screenshot shows a web form titled "Security Configuration". It is divided into two main sections: "Account:" and "Password:". Under the "Account:" section, there is a label "Account Name:" followed by a text input field containing the text "admin". Under the "Password:" section, there are two labels: "Change Password:" and "Confirm Password:", each followed by a password input field containing five dots. At the bottom of the form, there are two buttons: "Submit" and "Cancel".

Figure 8-5

8.2 Advanced Settings

To configure the Advanced Setting on the Web interface, set the **Web Setting** switch on the GV-AS / GV-EV Controller to ON. See the *Web Setting Switch* section of each controller chapter.

Under Advanced Settings, you can configure door/Wiegand settings, turn on Alarms, set the device time and edit the input/output functions.

Changes in some of the Advanced Settings pages will affect the options available on other pages. Below is a diagram drawing the relationships between each Advanced Settings page.

The Relationship Diagram between each Advanced Setting Page

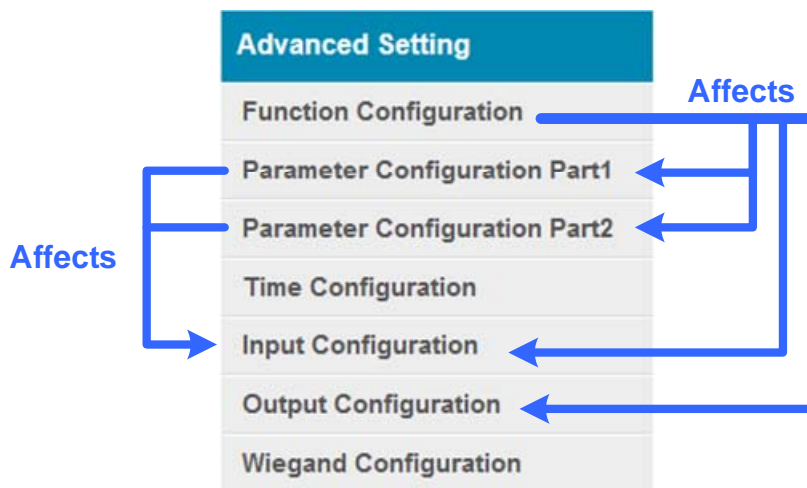


Figure 8-6

Note:

1. For GV-AS1010 and GV-AS1110, a Card Configuration page and a Card Information page are available.
 2. For GV-AS1010, a Function Key Configuration page is available.
-

For GV-EV48, the options available in Advanced Settings page are fixed. Only the following setting pages are available:

Advanced Setting
Function Configuration
Parameter Configuration
Time Configuration

Figure 8-7

8.2.1 Function Configuration

In the left menu, click **Function Configuration**. The number of door/gate settings or elevator settings available varies among different models.

Function Configuration

ID

ID:

Door/Gate 1

Function:

Authentication Mode:

Door/Gate 2

Function:

Authentication Mode:

Door/Gate 3

Function:

Authentication Mode:

Door/Gate 4

Function:

Authentication Mode:

Series Function(APB & Fire)

Enable/Disable:

Info IP:

Figure 8-8

Note: For GV-EV48, only the ID and the Authentication Mode settings are available.

[ID]

Enter the ID number for the controller. This ID is used by GV-ASManager to differentiate among multiple units of controller. ID number can only be between 1 and 1000.

[Door/Gate #] [Elevator]

Select the function type and authentication mode for the use of the Doors/Gates. For GV-EV48, select an authentication mode to apply to all floors of the elevator.

- **Function:** Select the function for the reader connected to the Door/Gate.
 - ⊙ **Door Control:** The reader is installed in a general door for access control.
 - ⊙ **Parking Control:** The reader is installed in a parking place for access control.
 - ⊙ **Elevator Control:** The reader is installed in an elevator for access control.
- **Authentication Mode:** Select the authentication mode for the Doors/Gates or Elevator.
 - ⊙ **Local Unlock Mode:** Remains open. The held-open state cannot be cleared through GV-ASManager.
 - ⊙ **Local Lock Mode:** Remains locked. The locked state cannot be cleared through GV-ASManager.
 - ⊙ **Fixed Card Mode:** Grants access after the card is presented or the passcode is entered, and ignores the authentication schedule of GV-ASManager.
 - ⊙ **Fixed Card + PIN Mode:** Grants access after the user presents the card and enters the card's PIN code, and ignores the authentication schedule of GV-ASManager.
 - ⊙ **Fixed Card/Common mode:** Grants access after the user presents the card or enters the door's password, and ignores the authentication schedule of GV-ASManager.
 - ⊙ **Authentication Schedule Mode:** Follows the authentication schedule set on GV-ASManager.
 - ⊙ **Local Lock Down:** Locks down the door. This mode overrides the Authentication Schedule and the door can only be opened by presenting the assigned access card. This function is only available in GV-AS1010 / 1110.

[Series Function (APB & Fire)]

This option lets you set the Anti-Passback function and fire sensor function across multiple door controllers. The Anti-Passback means that a card used on an entry door cannot access the same entry door again unless it has been used on a corresponding exit door. For details on setup, see *Chapter 6 Anti-Passback on GV-ASManager User's Manual*.

For all zone fire sensor function, the fire sensors on all associated controllers will be triggered when the fire sensor on one door is triggered. For this function to work, you must set the Input Type to **All Zone**. For details, see the *Input Setting* section later in this chapter.

- **Enable/Disable:** Enables or disables the Anti-Passback function and fire sensor function.
- **Info IP:** Enter the IP address of the next corresponding controller.

Click **Submit** button to save the changes, or click **Cancel** button to return the changes to its previous state.

Note: The all zone fire sensor function is only supported by GV-AS210 / 2110 / 2120 / 410 / 4110 / 810 / 8110 firmware V1.23 or later.

8.2.2 Parameter Configuration

In the left menu, click **Parameter Configuration** for GV-AS Controllers or click **Elevator Parameter** for GV-EV48.

IMPORTANT: Once connected to GV-AS / GV-EV Controller, GV-ASManager will load its parameters to the controller. That means some of the Parameter Settings you have configured here may be overwritten by GV-ASManager later.

8.2.2.A GV-AS1010 / 1110 / 210 / 2110 / 2120 / 410 / 4110 / 810 / 8110

The contents of the Parameter Configuration page change based on your settings for **Door/Gate #** in the **Function Configuration** page (Figure 8-8). The number of door/gate settings available varies among different models.

Parameter Part1 Configuration

Events

Door 1 Anti-passback: <input type="text" value="NO"/> <small>▼</small> Lock Reset Time: <input type="text" value="5"/> (1~600) Held Open Time: <input type="text" value="10"/> (5~9999) Fire Action: <input type="text" value="Unchange"/> <small>▼</small> Alarm Continuous Time: <input type="text" value="5"/> (1~10)	Door 2 Anti-passback: <input type="text" value="NO"/> <small>▼</small> Lock Reset Time: <input type="text" value="5"/> (1~600) Held Open Time: <input type="text" value="5"/> (5~9999) Fire Action: <input type="text" value="Unchange"/> <small>▼</small> Alarm Continuous Time: <input type="text" value="5"/> (1~10)
--	---

Alarm

Door 1 Held Open: <input type="text" value="NO"/> <small>▼</small> Forced Open: <input type="text" value="NO"/> <small>▼</small> Fire Alarm: <input type="text" value="NO"/> <small>▼</small> Access Denied: <input type="text" value="NO"/> <small>▼</small> Tamper: <input type="text" value="NO"/> <small>▼</small> Tailgating: <input type="text" value="NO"/> <small>▼</small>	Door 2 Held Open: <input type="text" value="NO"/> <small>▼</small> Forced Open: <input type="text" value="NO"/> <small>▼</small> Fire Alarm: <input type="text" value="NO"/> <small>▼</small> Access Denied: <input type="text" value="NO"/> <small>▼</small> Tamper: <input type="text" value="NO"/> <small>▼</small> Tailgating: <input type="text" value="NO"/> <small>▼</small>
--	--

Common Password

Door 1 Common Password: <input type="text" value="....."/> Confirm Password: <input type="text" value="....."/>	Door 2 Common Password: <input type="text" value="....."/> Confirm Password: <input type="text" value="....."/>
--	--

Figure 8-9

[Interlock] When the option is enabled, the two mentioned doors will be interlocked, allowing only one door to be opened at a time.

Note:

1. The Interlock is not supported by GV-AS1010 / 1110.
2. The Interlock is not available on the Web interface of GV-210 / 2110 / 2120 / 410 / 4110 / 810 / 8110, but you can access the function for these models on the Controller Setup page of GV-ASManager.

[Events]

Set the parameters for the events.

- When **Door Control** is selected in the **Function Configuration** page (Figure 8-8), these options become available:

Option	Description
Anti-Passback	Enables or disables the Anti-Passback function.
Lock Reset Time	Sets the time (1 to 600 sec.) that a door remains open after which the door will automatically be locked.
Held Open Time	Sets the time (5 to 9999 sec.) that a door can be held open before an alarm is generated.
Fire Action	Locks or unlocks the door when a fire condition occurs. Otherwise, remains the door's current state by selecting <i>Unchanged</i> .
Alarm Continuous Time	Sets the time (1 to 10 sec.) that the alarm will continuously go off before it ends.
Note: The Lock Reset Time of 1 to 600 seconds is only supported by GV-AS21 / 41 / 81 series Controller firmware V2.0 or later.	

- When **Parking Control** is selected in the **Function Configuration** page (Figure 8-8), these options become available:

Option	Description
Anti-Passback	See the same option above.
Relay On Time	Sets the time (1 to 255 sec.) that a gate remains open after which the gate will automatically be closed.
Held Open Time	See the same option above.
Fire Action	
Alarm Continuous Time	

- When **Elevator Control** is selected in the **Function Configuration** page (Figure 8-8), these options become available:

Option	Description
Relay on Time	See the same option above.
Fire Action	
Alarm Continuous Time	See the same option above.

[Alarm]

Select **Yes** or **No** to enable or disable the alarm function. If you have defined the alarm conditions in the **Input Configuration** page (Figure 8-17), remember to activate the corresponding alarms here; otherwise, even though the alarm conditions are met, the expected alarm will not be triggered. The default settings for all the alarms are set to **NO**.

Note: The Tailgating alarm is currently not functional.

- When **Door Control** is selected in the **Function Configuration** page (Figure 8-8), these options become available:

Option	Description
Held Open	This alarm activates whenever the door is held open over the set period of time.
Forced Open	This alarm activates whenever the door is opened by force.
Fire Alarm	This alarm activates whenever fire is detected.
Access Denied	This alarm activates whenever entry is denied due to using the wrong card or entering the wrong password.
Tamper	This alarm activates whenever the sensor for tampering alarm is triggered. For GV-AS210 / 2110 / 2120 / 410 / 4110 / 810 / 8110, the tampering alarm sensor needs to be installed separately and the triggering conditions depend on the type of sensor installed, e.g. opening of the controller’s cabinet.

- When **Parking Control** is selected in the **Function Configuration** page (Figure 8-8), these options become available:

Option	Description
Held Open	See the same option above.
Tamper	
Fire Alarm	
Access Denied	

- When **Elevator Control** is selected in the **Function Configuration** page (Figure 8-8), these options become available:

Option	Description
Tamper	See the same option above.
Fire Alarm	
Access Denied	

[Common Password]

When **Fixed Card/Common Mode** is selected as **Authentication Mode** in the **Function Configuration** page (Figure 8-8), you can gain access by using a card or entering this Common Password (door's password).



Common Password	
Door 1	Door 2
Common Password: <input type="password"/>	Common Password: <input type="password"/>
Confirm Password: <input type="password"/>	Confirm Password: <input type="password"/>

Figure 8-10

Click **Submit** button to save the changes, or click **Cancel** button to return the changes to its previous state.

8.2.2.B GV-EV48

The Parameter Configuration page allows you to specify which elevator floors are restricted.

PARAMETER CONFIGURATION

Events

Relay On Time (1~255)

Common Password

Common Password

Password Confirm

Unmanaged output

Checked output pins are in unmanaged mode

Toggle All

Out1 Out2 Out3 Out4 Out5 Out6 Out7 Out8
 Out9 Out10 Out11 Out12 Out13 Out14 Out15 Out16
 Out17 Out18 Out19 Out20 Out21 Out22 Out23 Out24
 Out25 Out26 Out27 Out28 Out29 Out30 Out31 Out32
 Out33 Out34 Out35 Out36 Out37 Out38 Out39 Out40
 Out41 Out42 Out43 Out44 Out45 Out46 Out47 Out48

Output NC/NO

▾

Figure 8-11

[Events]

- **Relay On Time:** Type a time period between 1-255 seconds. After access is granted by swiping a card or entering the password, the elevator button will remain accessible for the time period specified. After the specified time period, the elevator buttons for restricted floors will be locked again.

[Common Password]

When **Fixed Card/Common Mode** is selected as **Authentication Mode** in the **Function Configuration** page (Figure 8-8), you can gain access by using a card or entering this Common Password (elevator's password).

Note: Users typing the correct Common Password will be granted access to all floors enabled on GV-ASManager. To apply access control to specified floors, you will need to use the access card.

[Unmanaged Output]

Elevator floors of the selected output pins will be unrestricted and accessible without card or password. **Authentication Mode** configured in **Function Configuration** page will only be applied to output pins that are not selected. To select all output pins or to clear all selections, click **Toggle All**.

Note: For GV-EV48-24 Floors, output pins 25-48 are not functional.

Click **Submit** button to save the changes, or click **Cancel** button to return the changes to its previous state.

[Output NC/NO] Sets the output pins to NC or NO.

8.2.3 Card Configuration

In the left menu, click **Card Configuration** to set the built-in card reader of GV-AS1010 and GV-AS1110 to read UID (unique identification) or GID (GeoVision ID) on GV-AS ID F Card / Key Fob.

Note: The Card Configuration page is only available for GV-AS1010 and GV-AS1110.

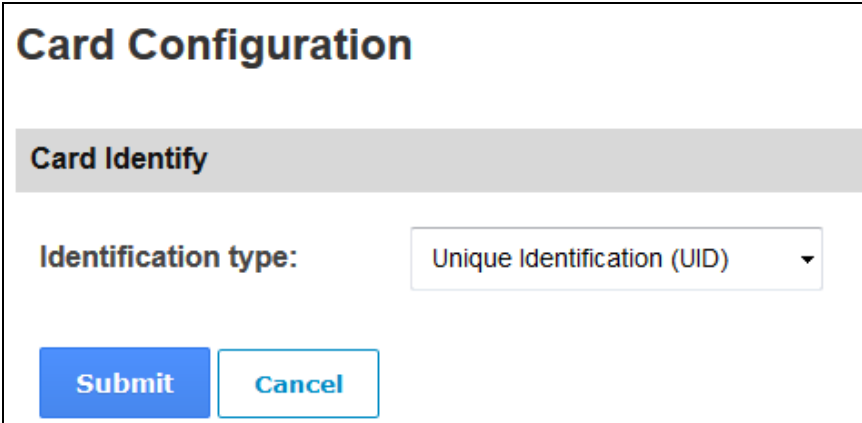


Figure 8-12

To use **GeoVision Identification (GID)**, make sure there are two numbers on your GV-AS ID Cards / Key Fobs as shown below. If there is only one number on your GV-AS ID Cards / Key Fobs, GID is not supported and you must select **Unique Identification (UID)**.

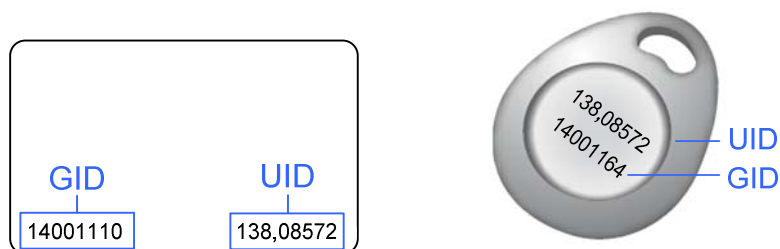


Figure 8-13

8.2.4 Card Information

In the left menu, click **Card Information** to see the cards added by GV-AS1010 and GV-AS1110 as a standalone unit. To delete all card information stored in GV-AS1010 / 1110, click the **Clear Card Database** button.

Note: The Card Information page is only available for GV-AS1010 and GV-AS1110.

Card Information

Card Database: 1- 1 of 1

Seq.	Card Number	Card Type
0	005-34323	Normal

10 Per Page 1 / 1

Figure 8-14

8.2.5 Time Configuration

In the left menu, click **Time Configuration** to set up system time, local time and daylight saving time period.

Time Configuration

System Local Time

Local Time: 2015/03/29 19:59:48
Time Zone: -8:00

Local Time

Disable
 Setup

Current local time

TimeZone	Hour	Min			
	0 ▾	0 ▾			
Date	Year	Month	Date		
	2009 ▾	January ▾	1 ▾		
Time	Hour	Min	Sec		
	0 ▾	0 ▾	0 ▾		

Daylight Savings Time(DST)

Disable
 Enable

Start Time	Date	Month	The day of	the week	Hour
	0-0	January ▾	First ▾	Sunday ▾	0 ▾
Stop Time	Date	Month	The day of	the week	Hour
	0-0	January ▾	First ▾	Sunday ▾	0 ▾

Submit
Cancel

Figure 8-15

[System Local Time]

- **Local Time:** Displays the current date and time of the controller.
- **Time Zone:** Displays the current time zone of the controller.

[Local Time]

- **Disable:** Disable the manual configuration of time and date.
- **Setup:** Enable the manual configuration of **Time Zone**, **Date** and **Time** for the controller. You can click the **Current local time** button to set synchronize the controller's date and time with the PC's current date and time.

[Daylight Savings Time (DST)]

- **Disable:** Disable the manual configuration of DST.
- **Time Zone:** Enable the manual configuration of DST by setting the **Start Time** and **Stop Time** for the DST period.

Click **Submit** button to save the changes, or click **Cancel** button to return the changes to its previous state.

8.2.6 Input Configuration

In the left menu, click **Input Configuration** to define the input devices connected to the GV-AS Controller. The number of input devices supported varies among different models.

Note: The Input Configuration page is not available for GV-EV48.

For GV-AS1010 and GV-AS1110, the Input Configuration page allows you to set the input sensors to NO or NC.

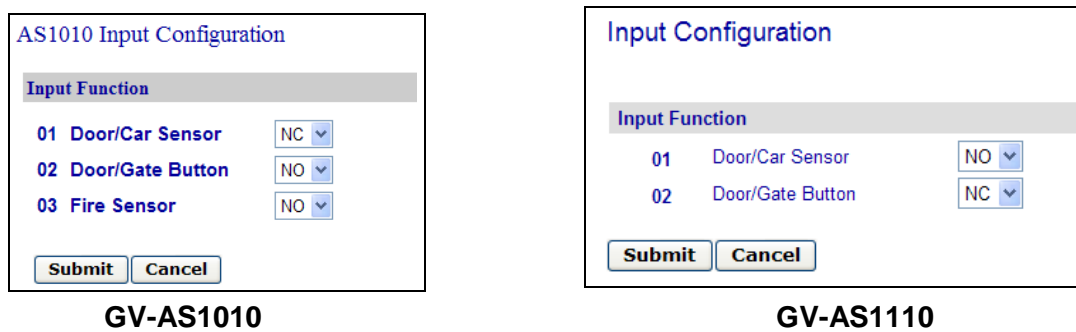


Figure 8-16

For other GV-AS Controller models, additional settings are available.

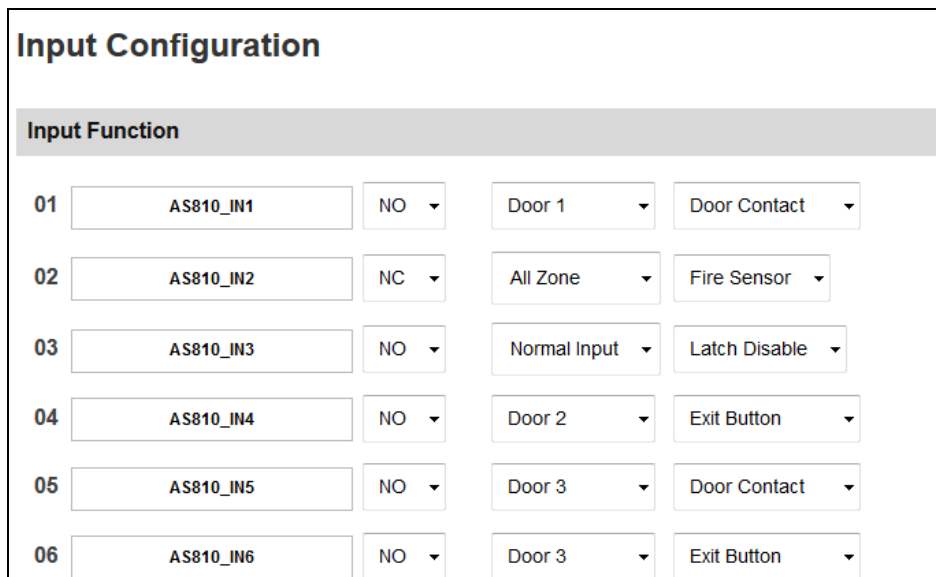
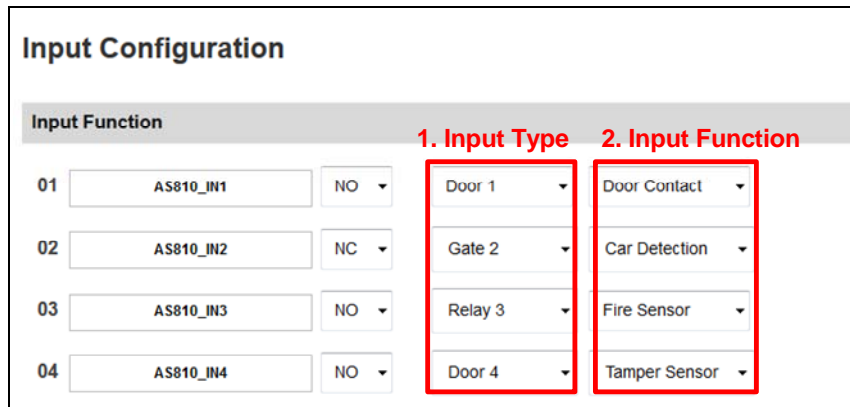


Figure 8-17

Note: The NO / NC option is only available for GV-AS1010 / 1110 / 210 / 2110 / 2120 / 410 / 4110 / 810 / 8110. Input devices connected to GV-AS100 / 110 / 120 will use NO (Normally Open) circuit.



Input Configuration			
Input Function		1. Input Type	2. Input Function
01	AS810_IN1	NO	Door 1
02	AS810_IN2	NC	Gate 2
03	AS810_IN3	NO	Relay 3
04	AS810_IN4	NO	Door 4

Figure 8-18

- 1. Input Type:** Configure the input type. Input Type defines the type of sensor that is connected to the input of GV-AS Controller. Options available for the input type change based on your **Door/Gate #** settings in the **Function Configuration** page (Figure 8-8).
- 2. Input Function:** Configure the input function. Options available for the input function change based on the settings of **Input Type** above.

Input Type	Input Function	Description
Normal Input	Enable Latch Disable Latch	The Normal Input is used for a normal detection mode in which the input is set to trigger an output. Instead of constant output alarm in N/O and N/C, the Enable Latch option provides a momentary alarm when triggered.

Input Type	Input Function	Description
Door #	Fire Zone Tamper Zone Exit Button Door Contact Armed Status	<p>Depending on the type of sensor and the location where it is installed, select the most suitable Input Function name to describe the sensor. When the sensor is activated, an alarm event may occur and it can also trigger alarms. For the type of alarm, see [Alarm], 8.2.2 <i>Parameter Configuration</i>.</p> <p>For example, when the Door Contact sensor detects unauthorized access, a “Force Open” type of event occurs and the event may trigger the “Force Open” alarm.</p> <p>For more details on how Armed Status works, refer to https://s3.amazonaws.com/geovision_downloads/Manual/Access-Control/TechnicalNotice/Accessing_Armed_Mode.pdf</p>
Gate #	Fire Sensor Tamper Zone Exit Button Car Detection	<p>See the “Door #” Input Type above.</p> <p>For example, when the Car Detection sensor detects any car driving by, a “Park Entry” or “Park Exit” type of event occurs and the parking gate will respond the event accordingly.</p>
Relay #	Fire Sensor Tamper Zone	<p>See the “Door #” Input Type above.</p> <p>For example, the Tamper Zone sensor is installed on GV-AS Controller. So whenever there is any attempt to open the GV-AS Controller’s cabinet, the “Tamper” type of event occurs and the event may trigger the “Tamper” alarm.</p>
All Zone	Fire Sensor	<p>If All Zone is selected, the Input Function will automatically be set to Fire Sensor. When triggered, fire sensors on all doors associated with that controller will be triggered.</p>

Note: For alarm outputs, the corresponding alarms must be enabled (YES) in the **Parameter Configuration** page (Figure 8-9). If alarms are set to be disabled (NO), then the alarm function here will not work when triggered.

8.2.7 Output Configuration

In the left menu, click **Output Configuration**. The number of output devices supported varies among different models.

Note: The Output Configuration page is not available for GV-EV48, GV-AS1010 and GV-AS1110.

Output1 - Output16 Configuration

Output Function (3A , 30VDC/110VAC~250VAC)

AS810_Out1	Door 1 ▾	Electric Lock ▾
AS810_Out2	Gate 2 ▾	Event Alarm ▾
AS810_Out3	Gate 2 ▾	Entry Card ▾
AS810_Out4	Relay 3 ▾	Electric Lock ▾
AS810_Out5	Relay 3 ▾	Electric Lock ▾
AS810_Out6	Relay 3 ▾	Event Alarm ▾

Figure 8-19

Here you can name and define each output device connected to the GV-AS Controller, such as locking devices and Exit Button. Select from the drop-down list to configure the **Output Type**. Depending on the chosen **Output Type**, either **Output Function** or **Output Conditions** will become available.

Output1 - Output16 Configuration

Output Function (3A , 30VDC/110VAC~250VAC)

	Output Type		Output Function
AS810_Out1	Door 1 ▾	=	Electric Lock ▾

	Output Type		
AS810_Out2	Normal ▾	=	

Door 4 ▾	AND ▾	Door 5 ▾	AND ▾	Wiegand A ▾	Reset
Access Granted ▾	Access Granted ▾	AND ▾	Wiegand B ▾		

Output Conditions

Figure 8-20

8.2.7.A Output Function Settings

This section explains the output functions available when **Output Type** is set to **Door #**, **Gate #** or **Relay #**.

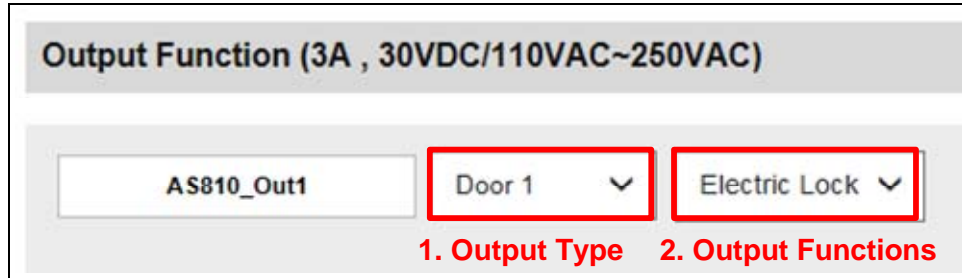


Figure 8-21

1. **Output Type:** Select the Door / Gate / Relay / All Zone associated with this output. Options available for the output type change based on your settings of **Door / Gate #** in the **Function Configuration** page (Figure 8-8).
2. **Output Function:** Configure the output function. Options available for the output function change based on the **Output Type** selected above.

Output Function	Description
Electric Lock	Output is triggered when the correct card is presented to open the locking device.
Event Alarm	Output is triggered when the defined alarm events occur.
Alarm Keyswitch	Output is triggered when the correct PIN code and security card is presented to the reader. For more details on how Alarm Keyswitch works, refer to https://s3.amazonaws.com/geovision_downloads/Manual/Access-Control/TechnicalNotice/Accessing_Armed_Mode.pdf
Entry Card	Output is triggered when the correct card is presented to enter the door / parking gate / elevator.
Exit Card	Output is triggered when the correct card is presented to exit the door / parking gate / elevator.
Unlock Alarm	Output is triggered when the door is unlocked or when the parking gate is open. This option is not available when Relay is selected as Output Type.
Area Occupied	Output is triggered when any valid card is presented to the entry reader and the output will only be turned off when all applied cards are presented to exit the area.
<p>Note: For the Area Occupied output function, the corresponding Door Contact and Anti-Pass Back settings must be enabled. For details, refer to <i>Anti-Passback</i> in Chapter 6 of the <i>GV-ASManager's User Manual</i>.</p>	

8.2.7.B Output Condition Settings

This section explains the output functions available when **Output Type** is set to **Normal**, **Toggle** or **Pulse**.

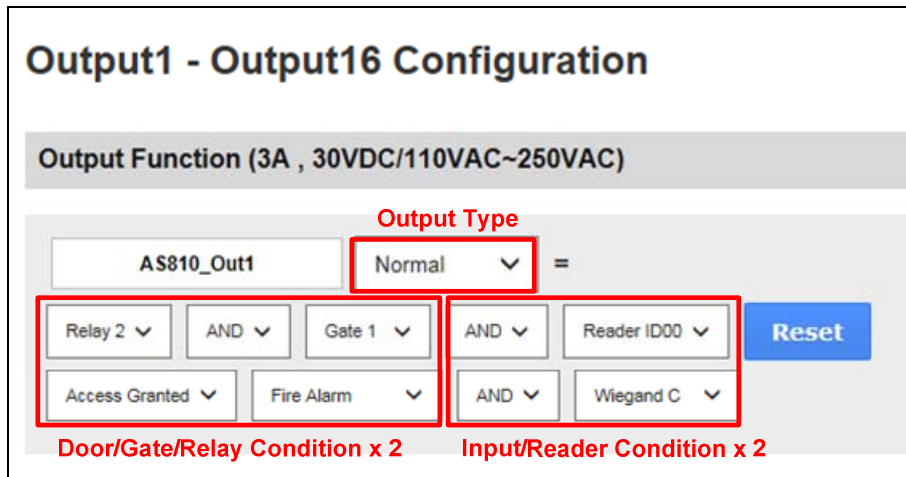


Figure 8-22

There can be a maximum of 4 conditions that can be set up to trigger an output. 2 conditions are Door/Gate/Relay conditions and 2 conditions are Input/Reader conditions. Each condition is related to each other through **AND/OR**. **AND** means that all conditions with **AND** must be triggered before the output is triggered. **OR** means that only 1 of the condition with **OR** is needed to be triggered before the output is triggered. It is also valid to have certain conditions as **AND** and certain conditions as **OR**.

For **Pulse** output type, the output is triggered for the amount of time set in the **Sec** field (seconds).

In the Output Condition settings, these **Output Type** and **Output Condition** become available:

Output Type	Output Condition			
	Door #	Gate #	Relay #	Input/Reader
Normal Toggle Pulse	Access Granted	Access Granted	Access Granted	Select None to disable the condition, or select an Input, Wiegand, or Reader to trigger the output.
	Access Denied	Access Denied	Access Denied	
	Fire Alarm	Fire Alarm	Fire Alarm	
	Tamper	Tamper	Tamper	
	Duress Event	Duress Event	Duress Event	
	Held Open	Held Open	\	
	Forced Open	Forced Open		
	Exit Button	Exit Button		
	Door Contact	Car Detection		

Click **Reset** button to return the **Normal**, **Toggle** or **Pulse** triggered state to be normal.

Note: The **Reset** button is more commonly used for the **Toggle** output because once triggered, the output will go on forever. A **Reset** button is needed to turn it off.

Click **Submit** button to save the changes, or click **Cancel** button to return the changes to its previous state.

8.2.8 Wiegand Configuration

In the left menu, click **Wiegand Configuration** to define the connected Wiegand readers. The number of Wiegand devices supported varies among different models. For GV-AS2110 / 2120 / 4110 / 8110, connection status is available and indicated by green or red.

Note: The Wiegand Configuration page is not available for GV-AS1010 / 1110 and GV-EV48.

Use the drop-down list to select the location where the Wiegand reader is installed.

To prevent cards from being swiped multiple times consecutively, enable **Filter**.

The screenshot shows the 'Wiegand Configuration' page. At the top, there is a title 'Wiegand Configuration'. Below it is a section header 'Wiegand Function'. The main area contains four rows, each representing a Wiegand reader (A, B, C, and D). Each row has a label on the left, a drop-down menu in the middle, and a status indicator on the right. Wiegand A and B have green checkmarks, while C and D do not. At the bottom, there is a 'Filter' section with a drop-down menu set to 'Disable'. Finally, there are two buttons: 'Submit' and 'Cancel'.

Wiegand Function		
Wiegand A:	Door/Gate 1 Entry ▼	✔
Wiegand B:	Door/Gate 1 Exit ▼	✔
Wiegand C:	Door/Gate 2 Entry ▼	
Wiegand D:	Door/Gate 2 Exit ▼	

Filter: Disable ▼

Submit Cancel

Figure 8-23

8.2.9 Function Key Configuration

In the left menu, click **Function Key Configuration** to define the function keys on GV-AS1010.

Note: The Function Key Configuration page is only available for GV-AS1010.

Function Key Configuration

Function Key Configuration

Function Key	Function	Authenticate
F1	Work Time (Start) ▾	<input checked="" type="checkbox"/>
F2	Work Time (End) ▾	<input checked="" type="checkbox"/>
F3	Away (Start) ▾	<input checked="" type="checkbox"/>
F4	Away (End) ▾	<input checked="" type="checkbox"/>

Submit
Cancel

Figure 8-24

Set the function keys to be the start or end of **Work Time**, **Away**, **Overtime**, **Break Time** or **Job Code**. If you select **Authenticate**, the door or elevator call button will be unlock when the user present the access card after pressing a function key.

To use the function keys, the employees can first press the function key to indicate the start or end of Work Time, Away, Overtime or Break Time, and then present the access card. For Job Code, the employee need to first press the function key, enter the 4-digit job code, and then swipe the accesscard. For details on how to set up job codes, see *Utilizing Job Codes* in Chapter 8, *GV-ASManager User's Manual*.

The attendance record can be looked up in GV-TAWeb. Refer to *Chapter 11 GV-TAWeb for Workforce Schedule and Payroll* in *GV-ASManager User's Manual* for details.

8.3 Extended Device

You can define the GV-Readers and GV-GF Fingerprint Readers connected to GV-AS / GV-EV Controller through RS-485 or network connection.

Note: The Tailgating Setting page is currently not functional.

8.3.1 Extended Reader

In the left menu, click **Extended Reader Configuration**. This page appears.

Extended Reader Configuration			
GV-Reader/CR420/GF1921/GF1922 Function			
RS485-A	Serial Number	Function	Connection Status
<input checked="" type="checkbox"/>	ID 0 000010180448	Door/Gate 1 Entry	
<input checked="" type="checkbox"/>	ID 1 000000123642	Door/Gate 1 Exit	
<input checked="" type="checkbox"/>	ID 2 666666666670	Door/Gate 2 Entry	
<input checked="" type="checkbox"/>	ID 3 222222222222	Door/Gate 2 Exit	
<input checked="" type="checkbox"/>	ID 4 000011060023	Door/Gate 3 Entry	
<input checked="" type="checkbox"/>	ID 5 000013269514	Door/Gate 3 Exit	
<input checked="" type="checkbox"/>	ID 6 000011060377	Door/Gate 4 Entry	
<input checked="" type="checkbox"/>	ID 7 000013315441	Door/Gate 4 Exit	
RS485-B	Serial Number	Function	Connection Status
<input checked="" type="checkbox"/>	ID 0 000011060276	Door/Gate 5 Entry	
<input checked="" type="checkbox"/>	ID 1 000011060088	Door/Gate 5 Exit	
<input checked="" type="checkbox"/>	ID 2 000013315457	Door/Gate 6 Entry	
<input checked="" type="checkbox"/>	ID 3 000011055533	Door/Gate 6 Exit	
<input checked="" type="checkbox"/>	ID 4 000014013895	Door/Gate 7 Entry	
<input checked="" type="checkbox"/>	ID 5 000013269455	Door/Gate 7 Entry	
<input checked="" type="checkbox"/>	ID 6 000013315461	Door/Gate 8 Entry	
<input checked="" type="checkbox"/>	ID 7 000014013905	Door/Gate 8 Exit	

Read Mode:

GeoFinger Server IP Address: . . . : (from 1025 to 65535)

GF1911/GF1912 Function(Only IP)

Serial Number	Function	Connection Status
<input type="text"/>	<input type="text" value="No Function"/>	
<input type="text"/>	<input type="text" value="No Function"/>	
<input type="text"/>	<input type="text" value="No Function"/>	
<input type="text"/>	<input type="text" value="No Function"/>	
<input type="text"/>	<input type="text" value="No Function"/>	
<input type="text"/>	<input type="text" value="No Function"/>	
<input type="text"/>	<input type="text" value="No Function"/>	
<input type="text"/>	<input type="text" value="No Function"/>	

Figure 8-25

[GV-Reader / CR420 / GF1921 / 1922 Function] Define the readers connected to the controller, and then use the **Function** drop-down list to select the door associated with the reader.

- **GV-RK1352 / R1352 / DFR1352:** Select the **RS-485** checkbox and type the **Serial Number** of the reader. The ID number located next to the serial number field will be assigned to the reader.
- **GV-Reader 1251 / Reader 1352 V2:** Select the **RS-485** checkbox and leave the serial number field blank. Note that the ID number located next to the serial number field need to match the reader's ID number defined by the dip switches on the reader.
- **GV-GF1921 / GF1922:** Type the **MAC address** of the fingerprint reader and do not select the RS-485 checkbox.
- **GV-CR420:** Select the **RS-485** checkbox only if the GV-CR420 is connected to the controller through RS-485 connection. If the reader is using network connection, do not check the RS485 box. Type the **MAC address** of GV-CR420 if you using the latest GV-CR420 firmware. Refer to the note below if you are using firmware V1.0.

[Read Mode] Select **Read UID** or **Read GID** to set the connected GV-R1352 / RK1352 / DFR1352 (Rev. B) to read UID (unique identifier) or GID (GeoVision ID) on the card / key fob. If you select **Read GID**, make sure there are two numbers on your GV-AS ID Cards / Key Fobs as shown below. If there is only one number on your GV-AS ID Cards / Key Fobs, GID is not supported and you must select **Unique Identification (UID)**.

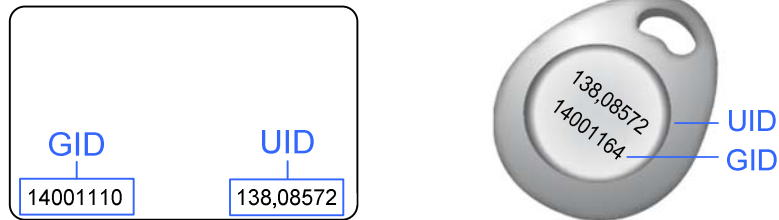


Figure 8-26

Note: GID is only supported by GV-R1352 / RK1352 / DFR1352 (Rev. B) with firmware V1.2 or later.

[GeoFinger Server IP Address] To allow GV-ASManager to receive data from the GV-GF1921 / 1922 defined on this page during remote fingerprint enrollment, type the IP address and port of the GV-ASManager's GeoFinger Server. You can also complete this step on the Web interface of each GV-GF1921 / 1922 individually as shown below.

Other Configuration

GeoFinger Server configuration

IP: . . .

Port: (from 1025 to 65535)

Controller address configuration Controller is connected

IP address: . . .

Dynamic Domain Name:

Figure 8-27

Note:

1. To allow network connection, you must also enable network connection to the controller on the Web interface of the GV-CR420 or GV-GF1921 / 1922.
2. Refer to the table for connecting GV-CR420 and GV-AS Controllers through network.

	CR420 V1.0	CR420 V1.01
GV-AS210 / 410 / 810 V1.1 or later GV-EV48 GV-AS1010 / 1110 / 2110 / 2120 / 4110 / 8110	Not Supported	MAC Address
GV-AS210 / 810 V1.0 GV-AS100 / 110 / 120 with ASBox / ASNet	Barcode	Not Supported

[GF1901 / GF1902 / GF1911 / GF1912 Function] Define the GV-GF1901 / 1902 / 1911 / 1912 connected to the controller.

- **GV-GF1901 / GF1902:** Select the **RS-485** checkbox and type the **XID Number** located on the back of the reader.
- **GV-GF1911 / GF1912:** Select the **RS-485** checkbox only if the GV-GF1911 / 1912 is connected to the controller through RS-485 connection. If the reader is using network connection, do not check the RS485 box. Type the **XID Number** located on the back of the reader.

Click **Submit**. If the reader is detected, the **Connection Status** field will be green.




Note: To connect GV-GF1901 / 1902 / 1911 / 1912 through RS-485 connection, the firmware versions of GV-AS21 / 41 / 81 series Controller must be before 1.4.1 and the software versions of GV-ASManager must be before V4.4.3.

8.4 Extended I/O BOX Configuration

In the left menu, click **Extended I/O BOX Configuration** to define GV-IO Boxes connected to the GV-EV48 Controller through RS-485 connection.

EV48 Extended I/O BOX Configuration

I/O BOX Function

I/O BOX	ID	Port Setting	Info	Connection Status
<input checked="" type="checkbox"/>	ID 0	16 Ports ▾	16 Ports	
<input checked="" type="checkbox"/>	ID 1	4 Ports ▾	4 Ports	
<input type="checkbox"/>	ID 2	4 Ports ▾		

Submit
Cancel

Figure 8-28

[I/O BOX Function]

1. Select the **I/O BOX** checkbox in front of the ID number. The ID number needs to match the assigned address defined by the ID switch on the connected I/O Box.
2. Select the I/O Box ports in the **Port Setting** field. Note that the **Info** field must match the I/O Box ports you configured to indicate the I/O port number is correct.
3. Click **Submit**. If an I/O-Box is detected, the **Connection Status** field will be green.

9. Optional Devices

9.1 Optional GV-ASBox

The optional GV-ASBox is the I/O and network expansion module for GV-AS100, GV-AS110 and GV-AS120. With the GV-ASBox, additional network connectivity, 8 inputs, 8 outputs and 1 Wiegand reader can be added to GV-AS100, GV-AS110 or GV-AS120.

9.1.1 Main Features

- Add TCP/IP networking capability to GV-AS100 / 110 / 120
- Extend GV-AS100 / 110 / 120 from 1-door to 2-door controller
- Support 1 Wiegand reader of 26 to 64 bits
- Support 8 digital inputs and 8 relay outputs
- 4 special outputs for lighting control and energy saving
- Access GV-AS100 / 110 / 120's features through Web-based interfaces
- Route digital I/O controls from GV-AS100 / 110 / 120 to avoid tamper and enhance security level
- Support 4 units of GV-Readers and GV-GF Fingerprint Readers

9.1.2 Packing List

- GV-ASBox
- Power Adaptor 12V DC
- Power Cord
- Battery power cable
- Software CD
- Warranty Card

9.1.3 GV-ASBox Board Layout

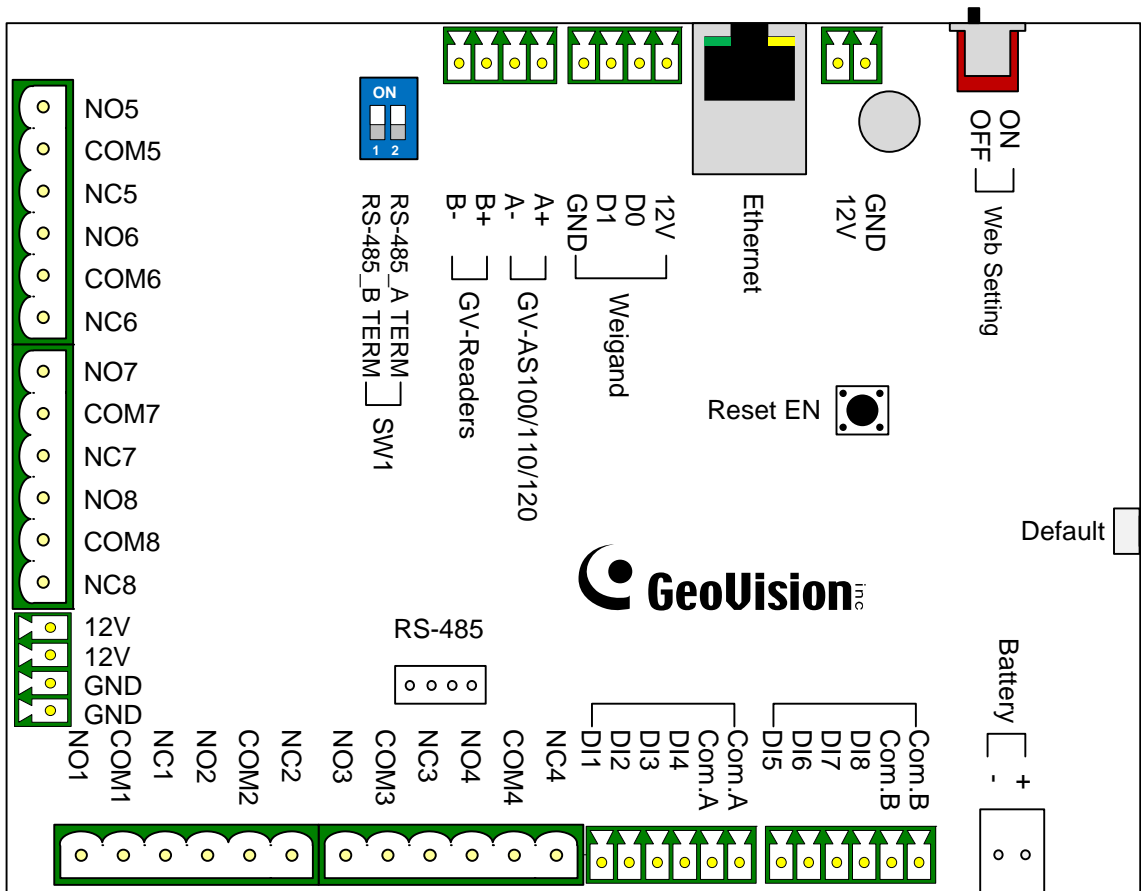


Figure 9-1

9.1.4 Installation

This section describes how to connect other devices to GV-ASBox.

9.1.4.A Connecting GV-AS100 / 110 / 120

The table and figure below show the pin assignments of related connectors on GV-ASBox for connection to GV-AS100, GV-AS110 and GV-AS120.

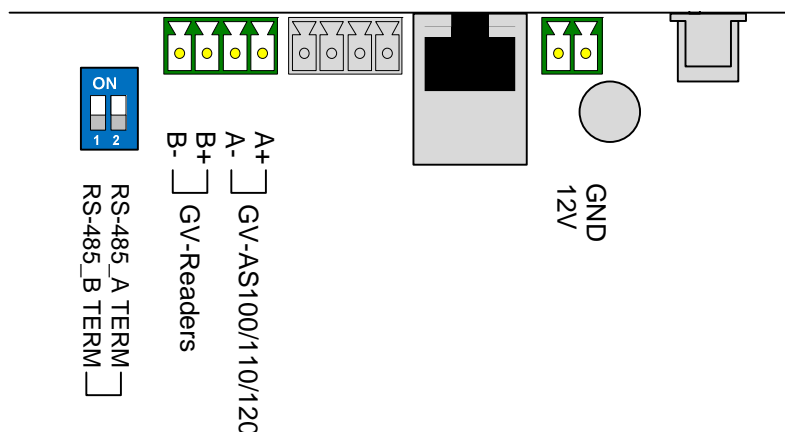


Figure 9-2

Pin	Function	Pin	Function	Pin	Function
12V	12V Power Supply to GV-AS100/110/120	A+	GV-AS100/110/120 Connection	B+	GV-Readers Connection
GND	GND for Power Supply to GV-AS100/110/120	A-	GV-AS100/110/120 Connection	B-	GV-Readers Connection

Note:

1. By default, **RS-485_A Term** and **RS-485_B Term** are set to OFF.
2. When the distance between the GV-ASBox and the GV-AS100 / 110 / 120 is over a long distance, **RS-485_A Term** must be switched to ON. When the distance between the GV-ASBox and the GV-Readers is over a long distance, **RS-485_B Term** must be switched to ON.

9.1.4.B Connecting a Wiegand Reader

GV-ASBox provides one Wiegand input for connection of the Wiegand-compatible reader ranging from 26 to 64 bits. The connected Wiegand reader can either work with GV-AS100 /GV-AS110/GV-AS120 to carry out entry and exit applications on a single door, or be installed on another door for the two-door application.

The table below shows the pin assignments of the Wiegand input on GV-ASBox. Please consult the documentation of your Wiegand reader for wiring.

Pin	Function
GND	GND for the Power Supply
D0	Wiegand Data 0
D1	Wiegand Data 1
12V	12V Power Supply

To define the reader, you need to use the GV-AS100/GV-AS110/GV-AS120 Web interface. See *9.3.2.B Parameter Setting*.

9.1.4.C Connecting GV-Readers and GV-GF Fingerprint Readers

You can connect up to **4 units of GV-Readers and GV-GF Fingerprint Readers** to GV-ASBox. Multiple GV-Readers and GV-GF Fingerprint Readers can be connected with a single RS-485 cable to separate RS-485 interfaces on GV-ASBox.

Since Wiegand communication distance is shorter than RS-485's, you can choose GV-Reader and GV-GF Fingerprint Reader supporting RS-485 communication to add another door control and meet the need of long-distance installation.

Use the RS-485 B+ B- to connect to GV-Readers and use the RS-485 interface to connect GV-GF Fingerprint Readers. Refer to the figure below to see where the RS-485 interfaces are located. When multiple readers are connected together, an extra power supply to each unit is required. Use the auxiliary power output of **12V** and **GND** on GV-ASBox to power on each unit.

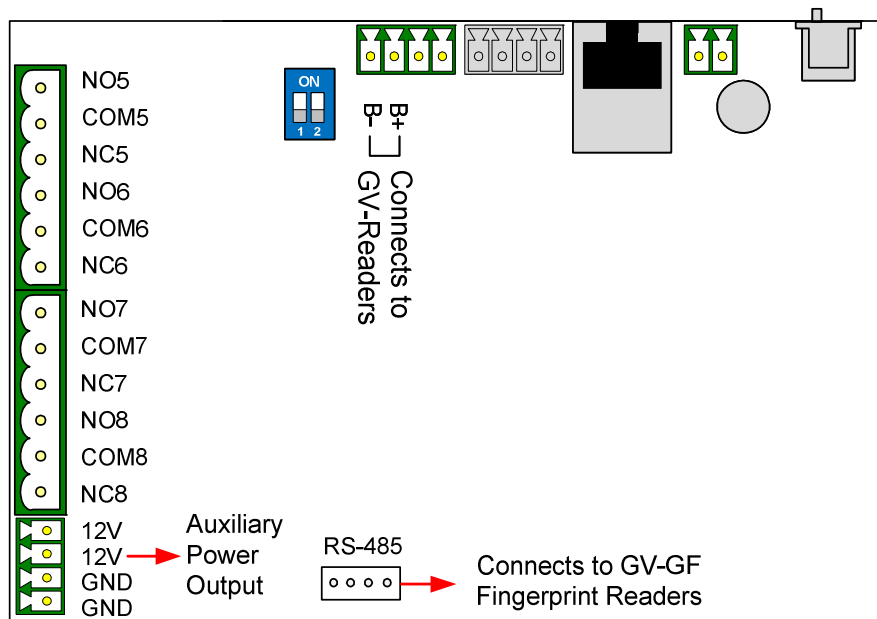


Figure 9-3

To define each GV-Reader and GV-GF Fingerprint Reader, you need to use the GV-AS100/GV-AS110/GV-AS120 Web interface. See 9.3.2.G *Extended Reader Setting*.

Note: The RS-485 connector on GV-ASBox is only designed for the connection of GV-Readers and GV-GF Fingerprint Readers.

9.1.4.D Connecting Input Devices

GV-ASBox provides 8 inputs (DI1 to DI8). All inputs are **dry contact** and can be configured as normally open (NO) or normally closed (NC) through the Web interface. The default value is **NO**.

The figure below shows the pin assignments of input connectors on GV-ASBox. The 8 inputs are divided into two terminals. Terminal A consists of DI1 to DI4, and terminal B includes DI5 to DI8. Every terminal has two COM (Common) points; connect the Common wire to any of the two COM points on the related terminal.

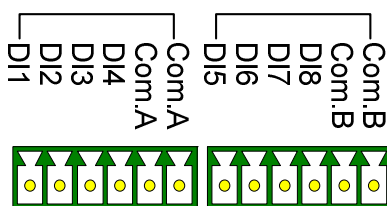


Figure 9-4

9.1.4.E Connecting Output Devices

GV-ASBox provides 8 outputs and 2 auxiliary power outputs of 12V DC. The outputs are divided into two groups, **outputs 1 ~ 4** and **outputs 5 ~ 8**. Before connecting, make sure if your output device meets any of the two different absolute maximum ratings listed below.

Additionally, you can **wire the light switch to the outputs 5 ~ 8** for lighting control. When the access is granted, the light is turned on; when the exit is granted, the light is turned off. See *To combine door access with relay activation* below.

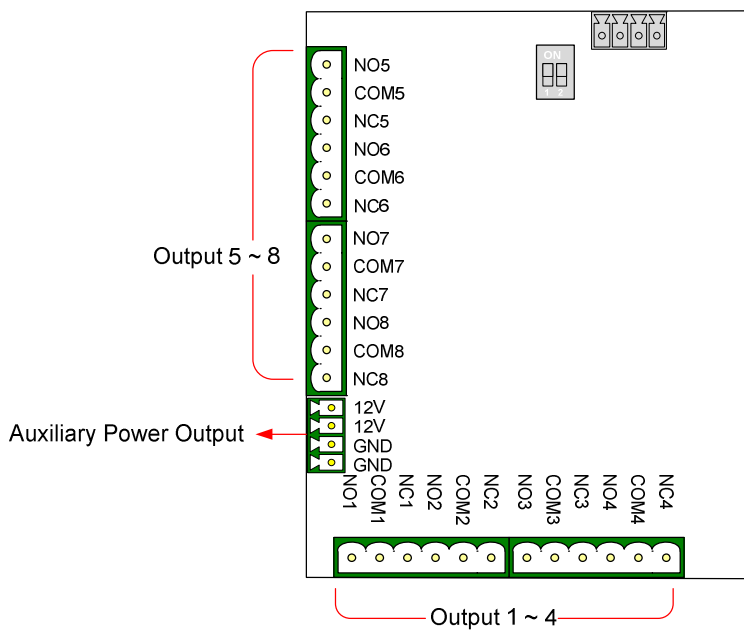


Figure 9-5

Outputs 1-4: Absolute Maximum Ratings

Breakdown Voltage	277V AC, 30V DC
Continuous Load Current	5A (NO), 3A (NC)
Note: Absolute Maximum Ratings are those values beyond which damage to GV-ASBox circuit board may occur. Continuous operation of GV-ASBox at the absolute rating level may affect GV-ASBox reliability.	

Outputs 5-8: Absolute Maximum Ratings

Breakdown Voltage	240V AC, 30V DC
Continuous Load Current	16A (NO), 8A (NC)
Note: Absolute Maximum Ratings are those values beyond which damage to GV-ASBox circuit board may occur. Continuous operation of GV-ASBox at the absolute rating level may affect GV-ASBox reliability.	

To connect an output device:

GV-ASBox provides two auxiliary power outputs of 12V DC at a maximum current of 1A. If your output device requires higher current, you must have the power supplied from an external power supply. Connect the (+) point on the output device to COM on GV-ASBox, connect the (-) points on the output device and the external power supply together, and connect the (+) point on the external power supply to the NO or NC of GV-ASBox based on the state of the output device.

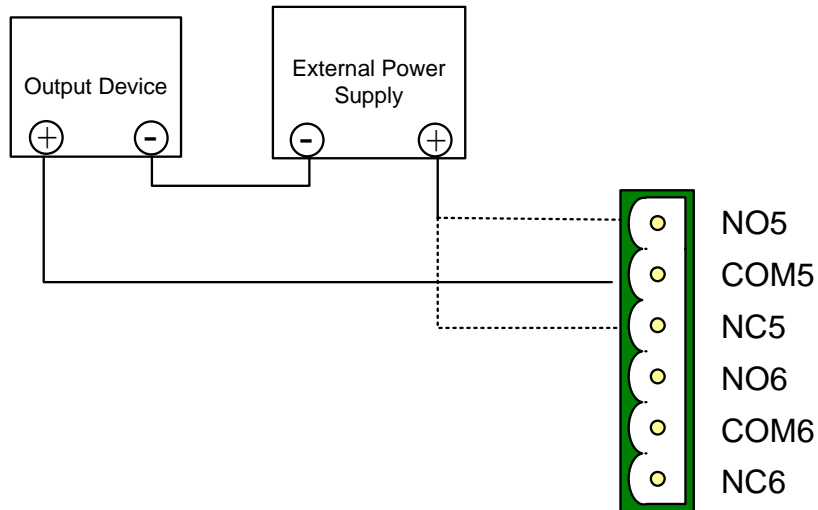


Figure 9-6

To combine door access with relay activation:

You can combine door access with relay activation for light control, machine control, etc., so that these will only be active when access is granted. For example, the light is turned on when a user is granted access to a room; the light is turned off when the user exits from the room. For this function, wire the relay switch to **output 5 ~ 8**.

9.1.4.F Connecting Backup Battery

You can connect any 12V battery to GV-ASBox to provide backup power when the main power supply fails. When the main power supply is removed and the battery voltage level is above 10.2V, the battery will support normal operation of the GV-ASBox.

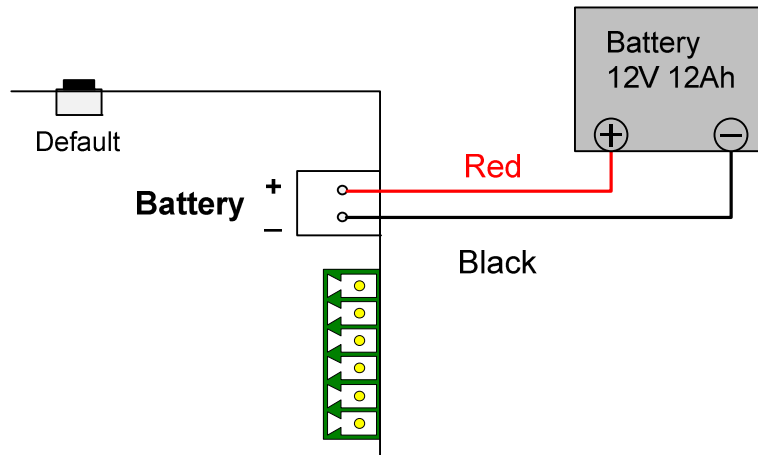


Figure 9-7

9.1.4.G Other Settings

The figure below shows the location of the **Web Setting Switch**, **Reset Button** and **Default Button**.

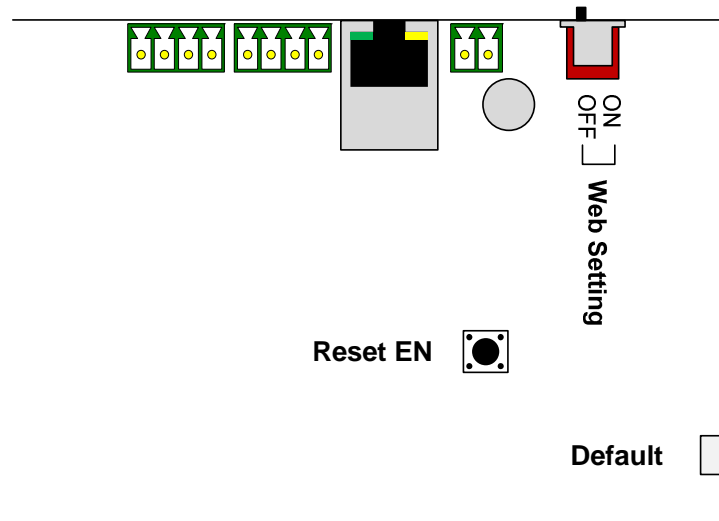


Figure 9-8

9.1.4.G.a Web Setting Switch

When the **Web Setting** switch is set to ON, you can modify **Advanced Settings** of GV-AS100, GV-AS110 and GV-AS120 through the Web interface. When the switch is set to OFF, Advanced Settings are not accessible. For details on Advanced Settings, see 9.3.2 *Advanced Settings*.

9.1.4.G.b Resetting the GV-ASBox

To reset GV-ASBox, press the **Reset EN** button on GV-ASBox for 3 seconds.

9.1.4.G.c Restoring Factory Defaults

To restore factory default values, press the **Default** button on GV-ASBox for 3 seconds. After this it may take up to 3 minutes to restore GV-ASBox to default values.

9.2 Optional GV-ASNet

The optional GV-ASNet is the network expansion module for GV-AS100, GV-AS110 and GV-AS120. With the GV-ASNet, GV-AS100 / 110 / 120 can be connected to the GV-ASManager and you can access the Web interface of GV-AS100 / 110 / 120.

9.2.1 Main Features

- Add TCP/IP networking capability to GV-AS100 / 110 / 120
- Access GV-AS100 / 110 / 120's features through Web-based interfaces
- Support 2 units of GV-Readers and GV-GF Fingerprint Readers

9.2.2 Packing List

- GV-ASNet
- Power Adaptor 12V DC
- Power Cord
- Battery Power Cable
- Download Guide
- Warranty Card

9.2.3 GV-ASNet Overview

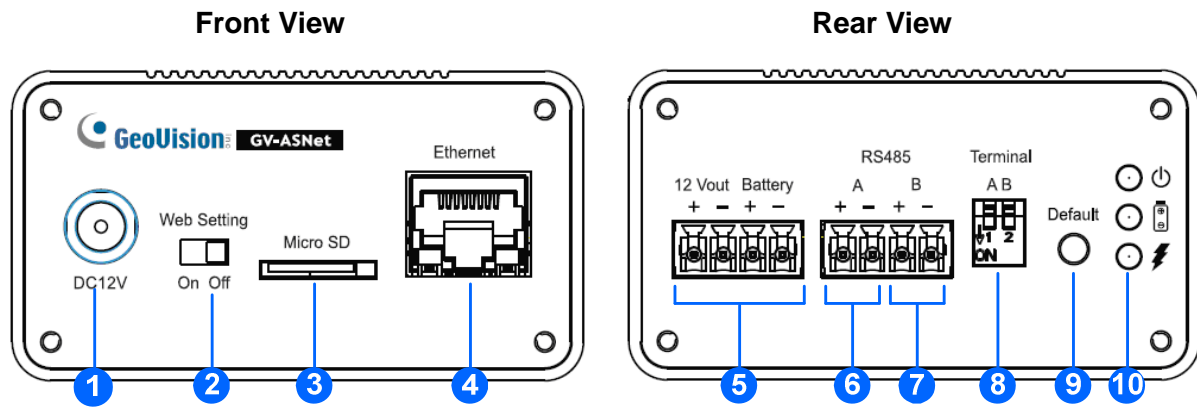


Figure 9-9

No.	Name	Function
1	DC Power Input (12V)	Connects to power supply.
2	Web Setting	Enables the Advanced Settings on Web interface of GV-AS100/GV-AS110/GV-AS120.
3	Micro SD	The Micro SD slot is not functional at this point.
4	Ethernet	Connects to the network.
5	12V+/12V- Battery	Power supply for GV-AS100/GV-AS110/GV-AS120.
6	RS485A+/RS485A-	Connects to GV-AS100/GV-AS110/GV-AS120.
7	RS485B+/RS485B-	Connects to GV-Readers.
8	Terminal A/B	Enables RS-485 interface.
9	Default button	Resets all configurations to factory defaults.
10	Power LED	Shows the power source and battery charging status of the GV-ASNet. See 9.2.4.C Other Settings for more details.

9.2.4 Installation

This section describes how to connect other devices to GV-ASNet.

9.2.4.A Connecting GV-AS100 / 110 / 120

The table and figure below show the pin assignments of related connectors on the rear view of the GV-ASNet for connection to GV-AS100 / 110 / 120.

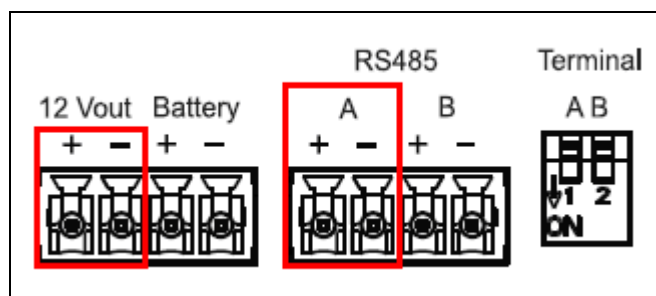


Figure 9-10

Pin	Function	Pin	Function
12V+	12V Power Supply to GV-AS100 / 110 / 120	12V-	GND for Power Supply to GV-AS100 / 110 / 120
RS485A+	GV-AS100 / 110 / 120 Connection	RS485A-	GV-AS100 / 110 / 120 Connection

Note:

1. By default, **RS-485_A Term** and **RS-485_B Term** are set to OFF.
 2. When the distance between the GV-ASNet and the GV-AS100 / 110 / 120 is over a long distance, **RS-485_A Term** must be switched to ON. When the distance between the GV-ASNet and the GV-Readers is over a long distance, **RS-485_B Term** must be switched to ON.
-

9.2.4.B Connecting GV-Readers and GV-GF Fingerprint Readers

You can connect up to **2 units of GV-Readers and GV-GF Fingerprint Readers** to GV-ASNet. Multiple GV-Readers and GV-GF Fingerprint Readers can be connected with a single RS-485 cable to the RS485 B+ and B- on GV-ASNet. You will need to connect the GV-Readers or GV-GF Fingerprint Readers to external power supply.

The figure and table shows the pin assignments for related connectors.

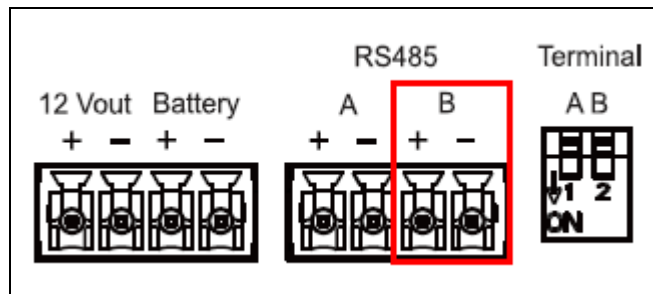


Figure 9-11

Pin	Function	Pin	Function
RS485B+	GV-Reader / GV-GF Fingerprint Readers Connection	RS485B-	GV-Reader / GV-GF Fingerprint Readers Connection

To define each GV-Reader and GV-GF Fingerprint Reader, you need to use the GV-AS100 / 110 / 120 Web interface. See 9.3.2.G *Extended Reader*.

9.2.4.C Connecting Backup Battery

You can connect any 12 V battery to GV-ASNet to provide backup power when the main power supply fails. When the main power supply is removed and the battery voltage level is above 10.2V, the battery will support normal operation of the GV-ASNet.

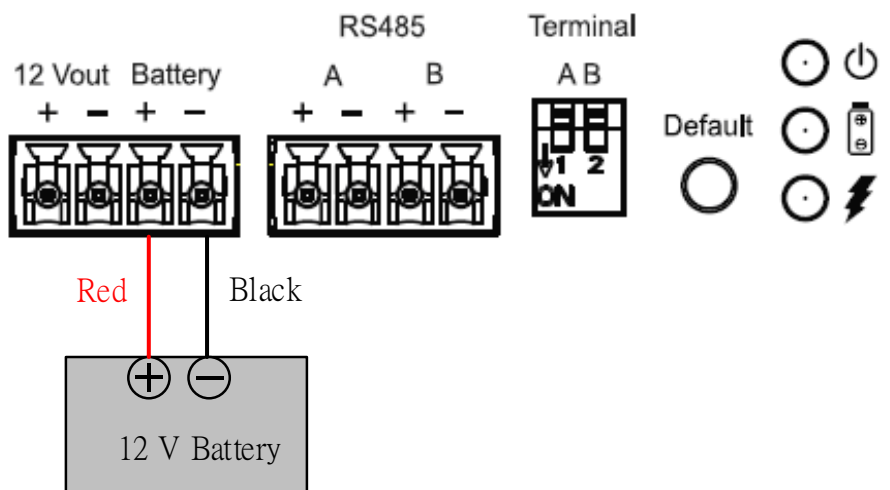


Figure 9-12

9.2.4.D Other Settings

The figure below shows the location of the **Web Setting Switch**, **Default Button** and **Power Status LED**.

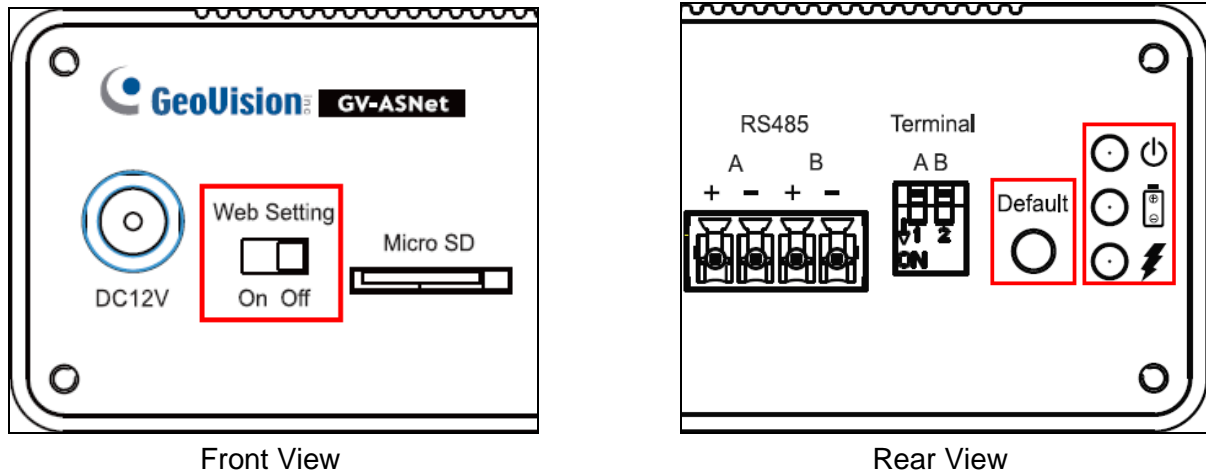


Figure 9-13




9.2.4.D.a Web Setting Switch

When the **Web Setting** switch is set to ON, you can modify **Advanced Settings** of GV-AS100 / 110 / 120 through the Web interface. When the switch is set to OFF, Advanced Settings are not accessible. For details on Advanced Settings, see *9.3.2 Advanced Settings*.

9.2.4.D.b Restoring Factory Defaults

To restore factory default values, press the Default button on GV-ASNet for 6 seconds. After this it may take up to 3 minutes to restore GV-ASNet to default values.

9.2.4.D.c Power Status LED

The three LED located on the right of the rear panel indicate the power status of the GV-ASNet. When the power LED  is red, it indicates that the GV-ASNet is powered. When the main power source is off and that the GV-ASNet is running on battery, the battery LED  turns green. An orange charging LED  means that the battery is being charged.

9.3 Web Interface through Optional Devices

Through GV-ASBox or GV-ASNet, you can access the GV-AS100 / GV-AS110 / GV-AS120's Web interface. Also through GV-ASBox or GV-ASNet, GV-AS100, GV-AS110 or GV-AS120 can communicate with GV-ASManager over the network.

GV-ASBox and GV-ASNet must be assigned an IP address to make it accessible on the network. Refer to *Chapter 7 Installing on a Network* for detailed instructions.

The Web interface is divided into three sections: **Basic Setting**, **Advanced Setting** and **Extended Device**.

9.3.1 Basic Setting

The Basic Setting section consists of four setup pages:

Category	Setting	Description
Basic Setting	Network Setting	There are different methods to install GV-ASBox and GV-ASNet on the network. See <i>Chapter 7 Installing on a Network</i> .
	Other Setting	See <i>8.1.1 System Setup</i> .
	Firmware Upgrade	See <i>8.1.2 Upgrading Firmware</i> .
	Account Setting	See <i>8.1.3 Changing Login ID and Password</i> .

9.3.2 Advanced Settings

You can execute and edit door/Wiegand operations and settings, turn on Alarms, view status, display card information stored in GV-AS100 / 110 / 120, set the device time and edit the input/output functions.

The changes in some of the Advanced Setting page will effect the options available on other pages. The diagram below shows the relationships between each Advanced Setting page.

The Relationship Diagram between each Advanced Setting Page

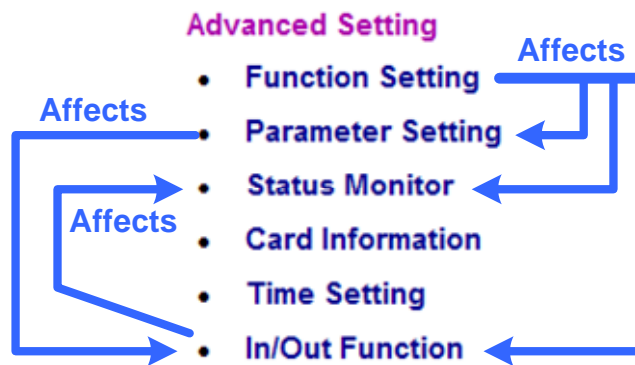


Figure 9-14

Note: The Status Monitor and In/Out Function pages are only available when connecting through a GV-ASBox.

9.3.2.A Function Setting

In the left menu, click **Function Setting**. This **AS100/AS110/AS120 Function Configuration** page appears.

Note: The Wiegand settings and Door/Gate B settings are only available when connecting through GV-ASBox.

Figure 9-15

[ID]

Enter the ID number for GV-AS100, GV-AS110 or GV-AS120. This ID is used by GV-ASManager to differentiate among multiple units of GV-AS100 / 110 / 120. ID number can only be between 1 and 255.

[ASBox Wiegand]

This option is only available for GV-ASBox. Select the function for Wiegand Input on GV-ASBox from the drop-down list.

- **No Function:** Wiegand Input is not in use.
- **Door/Gate A Entry:** Wiegand Input becomes the entry point for Door/Gate A.
- **Door/Gate A Exit:** Wiegand Input becomes the exit point for Door/Gate A.
- **Door/Gate B:** Wiegand Input becomes Door/Gate B.

[Door/Gate A]

Select the function type and authentication mode for the use of Door/Gate A.

- **Function:** Select the function for GV-AS100 / 110 / 120 on Door/Gate A.
 - ⊙ **Door Entry Control:** Sets GV-AS100 / 110 / 120 as entry reader on the Door A. The Wiegand reader connected on GV-AS100 / 110 / 120 will be set as exit reader.
 - ⊙ **Door Exit Control:** Sets GV-AS100 / 110 / 120 as exit reader on the Door A. The Wiegand reader connected on GV-AS100 / 110 / 120 will be set as entry reader.
 - ⊙ **Parking Entry Control:** Sets GV-AS100 / 110 / 120 as entry reader on the parking Gate A.
 - ⊙ **Parking Exit Control:** Sets GV-AS100 / 110 / 120 as exit reader on the parking Gate A.
 - ⊙ **Elevator Control:** GV-AS100 / 110 / 120 is installed in the elevator for access control.

Note: The **Parking Entry Control** and **Parking Exit Control** only work when the sensor input of Car Detection is activated. When the card is present but the sensor input is not activated, the message “No Car In Zone” will appear in the GV-AS100 LCD.

- **Authentication Mode:** Select the authentication mode for the Door/Gate A.
 - ⊙ **Local Unlock Mode:** Remains open. The held-open state cannot be cleared through GV-ASManager.
 - ⊙ **Local Lock Mode:** Remains locked. The locked state cannot be cleared through GV-ASManager.
 - ⊙ **Fixed Card Mode:** Grants access after the card is presented, and ignores the authentication schedule of GV-ASManager.

- ⊙ **Fixed Card + PIN Mode:** Grants access after the user presents the card and then enters the card's PIN code, and ignores the authentication schedule of GV-ASManager.
- ⊙ **Fixed Card/Common mode:** Grants access after the user presents the card or enters the door's password, and ignores the authentication schedule of GV-ASManager.
- ⊙ **Authentication Schedule Mode:** Follows the authentication schedule set on GV-ASManager.

[Door/Gate B]

This option is only available for GV-ASBox and only becomes available after **Door/Gate B** is selected from the **ASBox Wiegand** option above.

Select the function type and authentication mode for the use of Door/Gate B. The Function and Authentication Mode options are the same as those of Door/Gate A. But remember that the settings here are used to define the Wiegand reader connected to GV-ASBox.

[Anti-Passback]

This setting lets you perform Anti-Passback applications across multiple GV-AS Controllers. Anti-Passback prevents use of a card to gain successive entries without exit to a controlled area. For details on setup, see *Chapter 6 Anti-Passback on GV-ASManager User's Manual*.

- **Enable/Disable:** Enables or disables the Anti-Passback function.
- **Info IP:** Enter the IP address of the next corresponding GV-AS100 / 110 / 120.

[Delete MasterCard]

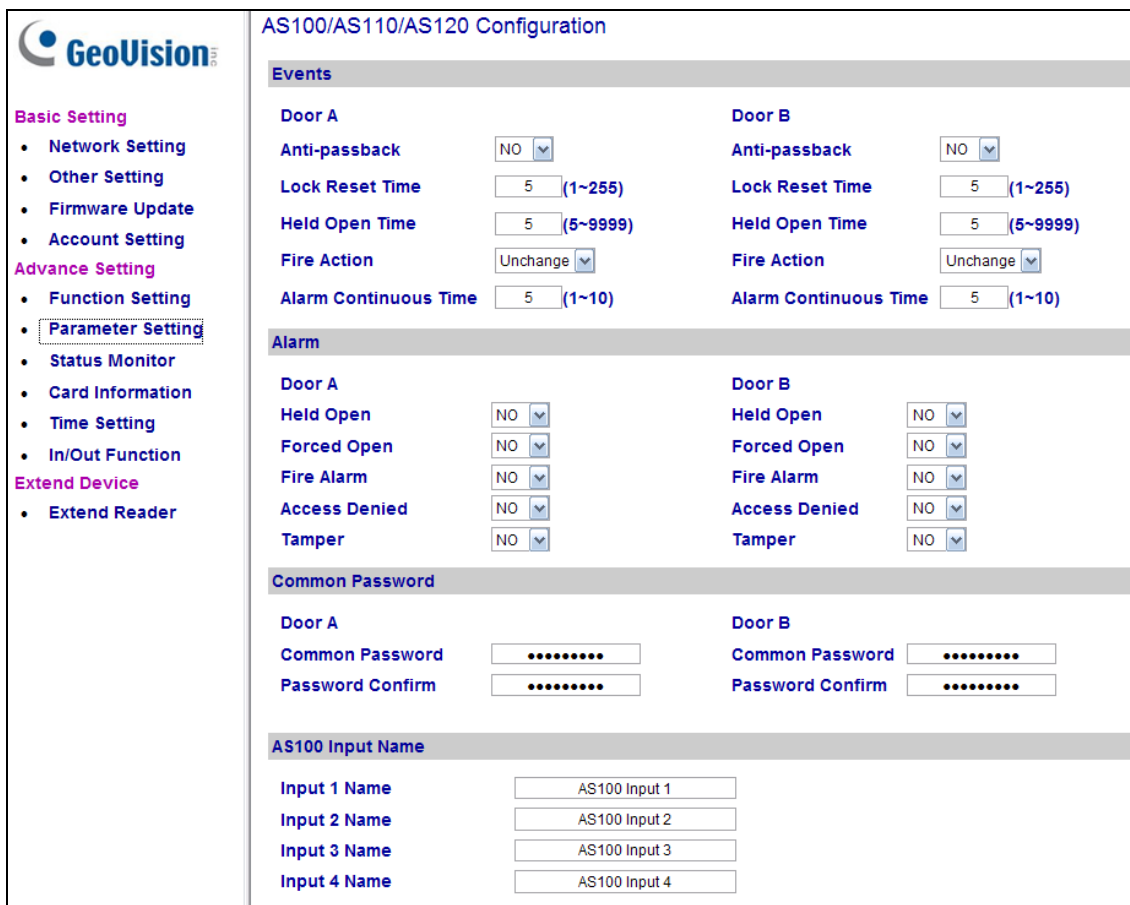
- **Delete:** Click the **Delete** button to delete the current MasterCard information.

Click **Submit** button to save the changes, or click **Cancel** button to return the changes to its previous state.

9.3.2.B Parameter Setting

In the left menu, click **Parameter Setting**. This **AS100/AS110/AS120 Configuration** page appears. The contents of Parameter Setting change based on your settings for Door/Gate A and Door/Gate B in the **Function Setting** page (Figure 9-15).

Note: The Door B settings and Input Name settings are only available when connecting through GV-ASBox.



AS100/AS110/AS120 Configuration	
Events	
Door A	Door B
Anti-passback: NO	Anti-passback: NO
Lock Reset Time: 5 (1~255)	Lock Reset Time: 5 (1~255)
Held Open Time: 5 (5~9999)	Held Open Time: 5 (5~9999)
Fire Action: Unchange	Fire Action: Unchange
Alarm Continuous Time: 5 (1~10)	Alarm Continuous Time: 5 (1~10)
Alarm	
Door A	Door B
Held Open: NO	Held Open: NO
Forced Open: NO	Forced Open: NO
Fire Alarm: NO	Fire Alarm: NO
Access Denied: NO	Access Denied: NO
Tamper: NO	Tamper: NO
Common Password	
Door A	Door B
Common Password: [Masked]	Common Password: [Masked]
Password Confirm: [Masked]	Password Confirm: [Masked]
AS100 Input Name	
Input 1 Name: AS100 Input 1	
Input 2 Name: AS100 Input 2	
Input 3 Name: AS100 Input 3	
Input 4 Name: AS100 Input 4	

Figure 9-16

IMPORTANT: Once connecting to GV-AS100 / 110 / 120, GV-ASManager will load its parameters to the GV-AS Controller. That means some of the Parameter Settings you have configured here may be rewritten by GV-ASManager later.

[Events]

Set the parameters for the events.

Events	
Door A	Gate B
Anti-passback	Gate Open Time
Lock Reset Time	Held Open Time
Held Open Time	Fire Action
Fire Action	Alarm Continuous Time
Alarm Continuous Time	

Figure 9-17

- When **Door Entry/Exit Control** or **Parking Entry/Exit Control** is selected in the **Function Setting** page (Figure 9-15), these options become available:

Option	Description
Anti-Passback	Enables or disables the Anti-Passback function. The option is only available for Door/Gate A .
Gate Open Time	Sets the time (1 to 255 sec.) that a parking gate remains open after which the gate will automatically be locked. The option is only available when Parking Entry/Exit Control is selected.
Lock Reset Time	Sets the time (1 to 255 sec.) that a door remains open after which the door will automatically be locked. The option is only available when Door Entry/Exit Control is selected.
Held Open Time	Sets the time (5 to 9999 sec.) that a door/gate can be held open before an alarm is generated.
Fire Action	Locks or unlocks the door/gate when a fire condition occurs. Otherwise, remains the door's current state by selecting <i>Unchanged</i> .
Alarm Continuous Time	Sets the time (1 to 10 sec.) that the alarm will continuously go off before it ends.

- When **Elevator Control** is selected in the **Function Setting** page (Figure 9-15), these options become available:

Option	Description
Relay on Time	Sets the time (1 to 255 sec.) that an elevator door remains open after which the door will automatically be closed.
Fire Action	See the same option above.
Alarm Continuous Time	

[Alarm]

Select **Yes** or **No** to enable or disable the alarm function. If you have defined the alarm conditions in [Output Function] of the **In/Out Function** page (Figure 9-23), remember to activate the corresponding alarms here; otherwise, even though the alarm conditions are met, the expected alarm will not be triggered. The default settings for all the alarms are set to **NO**.

Alarm			
Door A		Gate B	
Held Open	NO	Held Open	YES
Forced Open	NO	Forced Open	YES
Fire Alarm	YES	Fire Alarm	YES
Access Denied	YES	Access Denied	YES
Tamper	YES	Tamper	YES

Figure 9-18

- When **Door Entry/Exit Control** or **Parking Entry/Exit Control** is selected in the **Function Setting** page (Figure 9-15), these options become available:

Option	Description
Held Open	This alarm activates whenever the door is held open over the set period of time.
Forced Open	This alarm activates whenever the door is opened by force.
Fire Alarm	This alarm activates whenever fire is detected.
Access Denied	This alarm activates whenever entry is denied due to using the wrong card or entering the wrong password.
Tamper	This alarm activates whenever the controller is being physically tampered with, e.g. opening of the controller or sustaining strong impact. GV-AS100 / 110 / 120 have built-in sensors for tampering alarm.

- When **Elevator Control** is selected in the **Function Setting** page (Figure 9-15), these options become available:

Option	Description
Fire Alarm	See the same option above.
Access Denied	
Tamper	

[Common Password]

When **Fixed Card/Common Mode** is selected as **Authentication Mode** in the **Function Setting** page (Figure 9-15), you can gain access by using the card or entering this Common Password (door's password).

Common Password			
Door A		Gate B	
Common Password	<input type="password"/>	Common Password	<input type="password"/>
Password Confirm	<input type="password"/>	Password Confirm	<input type="password"/>

Figure 9-19

[AS100 Input Name]

This option is only available for GV-ASBox. Rename the input names by clicking **Submit** button to save the changes, or click **Cancel** button to return the changes to its previous state.

9.3.2.C Status Monitor

In the left menu, click **Status Monitor** to see the status of each input, output and alarm

Note: The Status Monitor page is only available when connecting through a GV-ASBox.

<ul style="list-style-type: none"> Basic Setting <ul style="list-style-type: none"> • Network Setting • Other Setting • Firmware Update • Account Setting Advance Setting <ul style="list-style-type: none"> • Function Setting • Parameter Setting • Status Monitor • Card Information • Time Setting • In/Out Function Extend Device <ul style="list-style-type: none"> • Extend Reader 	Control Mode Door Local Unlock Mode	Memory Status Used / Capacity 36 / 65535
	Door Contact A AS100 Input 1 OFF	Events Alarm Tamper Forced Open FireAlarm Duress Held Open
	Exit Button A AS100 Input 2 OFF	Electric Lock A ASBOX Output 1 ON
	Fire Zone A ASBOX Input 3 OFF AS100 Input 3 OFF	General Alarm A ASBOX Output 3 OFF
	Tamper Zone A ASBOX Input 4 OFF AS100 Input 4 OFF	Lighting ASBOX Output 5
	Normal Input ASBOX Input 1 OFF ASBOX Input 2 OFF ASBOX Input 5 OFF ASBOX Input 6 OFF ASBOX Input 7 OFF ASBOX Input 8 OFF	Normal Output ASBOX Output 6
		Normal Output ASBOX Output 7
		Normal Output ASBOX Output 8

Figure 9-20

Control Mode will change depending on the chosen Door/Gate's **Authentication Mode** in the **Function Setting** page (Figure 9-15). The listed number of outputs will change depending on the chosen **Output Type** in the **In/Out Function** page (Figure 9-23).



= Indicates the current input/output device is triggered.



= Indicates the current input/output source is not triggered.



= Indicates the current event is triggered.



= Indicates the current light is on.



= Indicates the current light is off.

Note: Outputs must be turned on in the **In/Out Function** page to be monitored here.

9.3.2.D Card Information

In the left menu, click **Card Information**. This **Card Configuration** page appears.

Card Database	
Number of Cards	1

Card List	
1	228-31386

Page

Figure 9-21

[Card Database]

Shows the number of cards currently stored in GV-AS100 / 110 / 120.

[Card List]

Displays the list of cards stored in GV-AS100 / 110 / 120. If there are many pages, you can choose to jump to any page by entering the page number in the **Page** field.

Click **Previous Page** button to go to the previous page of the Card List, or click **Next Page** button to go to the next page of the **Card List**.

9.3.2.E Time Setting

In the left menu, click **Time Setting**. This **Time Configuration** page appears.

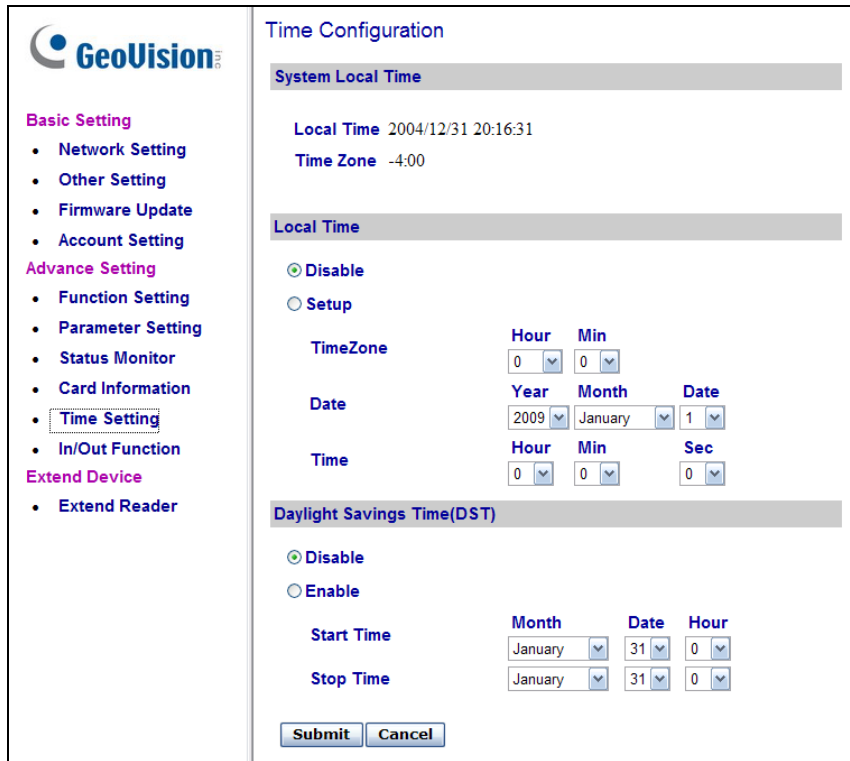


Figure 9-22

[System Local Time]

- **Local Time:** Displays the current date and time of GV-AS100 / 110 / 120.
- **Time Zone:** Displays the current time zone of GV-AS100 / 110 / 120.

[Local Time]

- **Disable:** Disable the manual configuration of time and date.
- **Setup:** Enable the manual configuration of **Time Zone**, **Date** and **Time** for GV-AS100 / 110 / 120.

[Daylight Savings Time (DST)]

- **Disable:** Disable the manual configuration of DST.
- **Time Zone:** Enable the manual configuration of DST by setting the **Start Time** and **Stop Time** for the DST period.

Click **Submit** button to save the changes, or click **Cancel** button to return the changes to its previous state.

9.3.2.F In/Out Function

In the left menu, click **In/Out Function** to define the input and output sensors.

Note: The I/O Configuration page is only available when connecting through a GV-ASBox.

The screenshot shows the 'ASBOX IO Configuration' page. On the left is a navigation menu with categories: Basic Setting (Network Setting, Other Setting, Firmware Update, Account Setting), Advance Setting (Function Setting, Parameter Setting, Status Monitor, Card Information, Time Setting, In/Out Function), and Extend Device (Extend Reader). The 'In/Out Function' menu item is highlighted. The main content area is titled 'ASBOX IO Configuration' and has two sections: 'Input Function' and 'Output Function'. The 'Input Function' section has eight rows, each with an input name field (ASBOX Input 1-8), a 'NO' dropdown for input type, and two dropdown menus for input function. The 'Output Function' section has one row for ASBOX Output 1 with a 'No Function' dropdown.

Figure 9-23

[Input Function]

Here you can define each sensor input that is connected GV-ASBox and select the most fitting **Input Type** (No. 3, Figure 9-24) and **Input Function** (No. 4, Figure 9-24) to describe the sensor input. Through the sensor input, an alarm event can be detected and it can then trigger the alarm device.

This close-up view of the 'Input Function' section shows eight rows of input configuration. Four red boxes are used to highlight specific fields: Box 1 highlights the text input field for 'ASBOX Input 1'; Box 2 highlights the 'NO' dropdown menu for the input type; Box 3 highlights the 'Normal Input' dropdown menu for the input function; and Box 4 highlights the 'Disable Latch' dropdown menu for the input function. The other rows show similar configurations with different input names and functions.

Figure 9-24

Below is the explanation based on the numbers marked on the above figure.

1. **ASBOX Input #:** Edit the name of the Input.
 2. **NO/NC:** Configure the input to **NC** (normally closed) or **NO** (normally open) mode.
 3. **Input Type:** Configure the input type to define the type of sensor that is connected to the input of GV-ASBox. Options available for the input type change based on your settings of **Door/Gate A** and **Door/Gate B** in the **Function Setting** page (Figure 9-15).
 4. **Input Function:** Configure the input function. Options available for the input function change based on the settings of **Input Type** above.
- When **Door Entry/Exit Control** is selected in the **Function Setting** page (Figure 9-15), these **Input Type** and **Input Function** become available:

Input Type	Input Function	Description
Normal Input	Enable Latch Disable Latch	The Normal Input is used for a normal detection mode in which the input is set to trigger an output. Instead of constant output alarm in N/O and N/C, the Enable Latch option provides a momentary alarm when triggered.
Door A or B	Fire Zone Tamper Zone Exit Button Door Contact	Depending on the type of sensor and the location where it is installed, select the best Input Function name to fit the sensor description. When the sensor is activated, an alarm event occurs and the alarm device can be triggered. For alarm events, see [Alarm], <i>9.3.2.B Parameter Setting</i> . For example, when the Door Contact sensor detects unauthorized access, a “Force Open” event occurs and it can trigger the “Force Open” alarm.

- When **Parking Entry/Exit Control** is selected in the **Function Setting** page (Figure 9-15), these **Input Type** and **Input Function** become available:

Input Type	Input Function	Description
Normal Input	Enable Latch Disable Latch	See the same Input Type above.
Gate A or B	Fire Zone Tamper Zone Exit Button Car Detection	See the “Door A or Door B” Input Type above. For example, when the Car Detection sensor detects any car driving by, a “Parking Entry” or “Parking Exit” event occurs and the parking gate will respond the event accordingly.

- When **Elevator Control** is selected in the **Function Setting** page (Figure 9-15), these **Input Type** and **Input Function** become available:

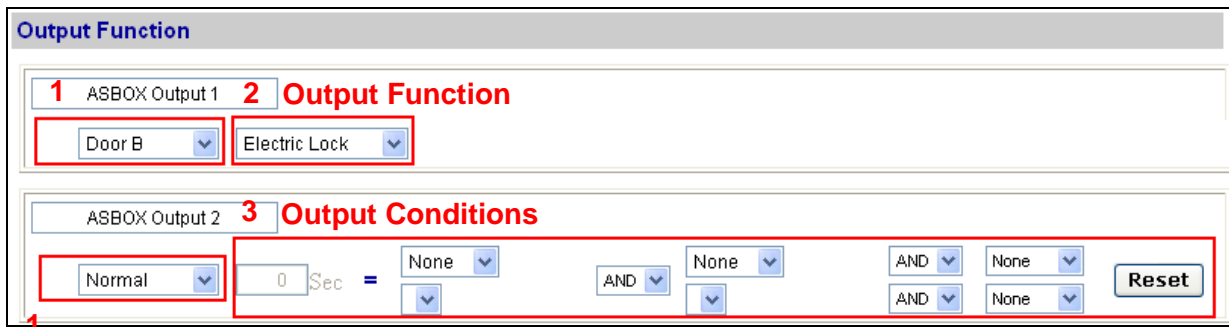
Input Type	Input Function	Description
Normal Input	Enable Latch Disable Latch	See the same Input Type above.
Relay A or B	Fire Zone Tamper Zone	See the “Door A or Door B” Input Type above. For example, the Tamper Zone sensor is installed on GV-ASBox. So whenever there is any attempt to open the Box, the “Tamper” event occurs and it may trigger the “Tamper” alarm.

Note: For alarm outputs, the corresponding alarms must be enabled (YES) in the **Parameter Setting** page (Figure 9-16). If alarms are set to be disabled (NO), the alarm function here will not work when triggered.

[Output Function]

Here you can define each output device that is connected to GV-ASBox, such as locking devices, various alarms or Exit Button. Only **Output 5 to Output 8** can be connected to Lights.

Select from the drop-down list to configure **Output Type** (No. 1, Figure 9-25). Depending on the chosen **Output Type**, either **Output Function** (No. 2, Figure 9-25) or **Output Conditions** (No. 3, Figure 9-25) will become available.



1 ASBOX Output 1 **2** Output Function

Door B Electric Lock

ASBOX Output 2 **3** Output Conditions

Normal 0 Sec = None AND None AND None AND None AND None AND None Reset

1 Output Type

Figure 9-25

Output Function Settings:

When **Output Type** (No. 1, Figure 9-25) is set to be **Door #**, **Gate #** or **Relay #**, the options similar to the figure below become available.



Figure 9-26

Below is the explanation based on the numbers marked on the above figure.

1. **ASBOX Output #:** Edit the name of the Output.
 2. **Output Type:** Configure the output type. Options available for the output type change based on your settings of **Door/Gate A** and **Door/Gate B** in the **Function Setting** page (Figure 9-15).
 3. **Output Function:** Configure the output function. Options available for the output function change based on your setting of **Output Type** above.
- When **Door Entry/Exit Control** is selected in the **Function Setting** page (Figure 9-15), these **Output Type** and **Output Function** become available:

Output Type	Output Function	Description
Door #	Electric Lock	Output is triggered when the card is presented to open the locking device.
	Alarm Event	Output is triggered when the defined alarm events occur.
	Entry Card	Output is triggered when the card is presented to enter the door.
	Exit Card	Output is triggered when the card is presented to exit the door.

- When **Parking Entry/Exit Control** is selected in the **Function Setting** page (Figure 9-15), these **Output Type** and **Output Function** become available:

Output Type	Output Function	Description
Gate #	Electric Lock	See the same function above.
	Alarm Event	
	Entry Card	Output is triggered when the card is presented to enter the parking gate.
	Exit Card	Output is triggered when the card is presented to exit the parking gate.

- When **Elevator Control** is selected in the **Function Setting** page (Figure 9-15), these **Output Type** and **Output Function** become available:

Output Type	Output Function	Description
Relay #	Electric Lock	See the same function above.
	Alarm Event	

Output Condition Settings:

When **Output Type** (No. 1, Figure 9-25) is set to be **Normal**, **Toggle**, **Pulse**, **Normal Lighting**, **Toggle Lighting** or **Pulse Lighting**, the options similar to the figure below become available.



Available in
Pulse/Lighting

Figure 9-27

There can be a maximum of 4 conditions that can be set up to trigger an output. 2 conditions are Door/Gate/Relay conditions and 2 conditions are Input conditions. Each condition is related to each other through **AND/OR**. **AND** means that all conditions with **AND** must be triggered before the output is triggered. **OR** means that only 1 of the condition with **OR** is needed to be triggered before the output is triggered. It is also valid to have certain conditions as **AND** and certain conditions as **OR**.

Only **Output 5 ~ 8** can be connected to Lights. So **Normal Lighting**, **Toggle Lighting** and **Pulse Lighting** can only be selected from **Output 5 ~ 8**. For **Pulse** and **Pulse Lighting**, the output is triggered for the amount of time set in the **Sec** field (seconds).

In the Output Condition Settings, these **Output Type** and **Output Condition** options become available:

Output Type	Output Condition			
	Door A or B	Gate A or B	Relay A or B	Input (x2)
Normal	Access Granted	Access Granted	Access Granted	Select None to disable the condition, or select between Input 1 and Input 8 to trigger the output.
Toggle	Access Denied	Access Denied	Access Denied	
Pulse	Fire Alarm	Fire Alarm	Fire Alarm	
Normal Lighting	Tamper	Tamper	Tamper	
Toggle Lighting	Duress Event	Duress Event	Duress Event	
Pulse Lighting	Held Open	Held Open	/	
	Forced Open	Forced Open		
	Exit Button	Exit Button		
	Door Contact	Car Detection		

Click **Reset** button to return the **Normal, Toggle, Pulse, Normal Lighting, Toggle Lighting** or **Pulse Lighting** triggered state to be normal.

Note: The **Reset** button is more commonly used for the **Toggle** or **Toggle Lighting** output. Because once triggered, the output will go on forever. A **Reset** button is needed to turn it off.

Click **Submit** button to save the changes, or click **Cancel** button to return the changes to its previous state.

9.3.2.G Extended Reader

In the left menu, click **Extend Reader**. This **Extend Reader Configuration** page appears.

GV-Reader Function		
Serial Number	Function	Setting Status
<input type="checkbox"/> ID 0	<input type="text"/>	No Function
<input type="checkbox"/> ID 1	<input type="text"/>	No Function
<input type="checkbox"/> ID 2	<input type="text"/>	No Function
<input type="checkbox"/> ID 3	<input type="text"/>	No Function

GeoFinger Function		
Serial Number	Function	Setting Status
<input type="checkbox"/>	<input type="text"/>	No Function
<input type="checkbox"/>	<input type="text"/>	No Function
<input type="checkbox"/>	<input type="text"/>	No Function
<input type="checkbox"/>	<input type="text"/>	No Function

Submit Cancel

Figure 9-28

Define the readers connected to GV-AS100 / 110 / 120, and then use the **Function** drop-down list to select which door that the GV-Reader/GV-GF Fingerprint Reader is installed.

[GV-Reader Function]

- **GV-RK1352 / R1352 / DFR1352:** Select the checkbox and type the **Serial Number** of the reader. Note that the ID number located next to the serial number field need to match the reader's ID number defined through the GV-RK1352 Config AP.
- **GV-Reader 1251 / Reader 1352 V2:** Select the checkbox and leave the serial number field blank. Note that the ID number located next to the serial number field need to match the reader's ID number defined by the dip switches on the reader.
- **GV-CR420:** Type the **Barcode** of GV-CR420. Select the checkbox only if the GV-CR420 is connected to the controller through RS-485 connection. For network connection, do not select the checkbox. Note that only GV-CR420 V1.0 is compatible with GV-AS100 / 110 / 120 and you must also enable network connection to the controller on the Web interface of the GV-CR420.

[GeoFinger Function] For **GV-GF1901 / GF1902 / GF1911 / GF1912**, select the checkbox and type the **XID Number** located on the back of the reader.

Click **Submit** to detect the readers. If any GV-Reader / GV-GF Fingerprint Reader is detected, a green mark will appear in the **Status** field; if not, a red mark will appear.

10. Troubleshooting

Q1: GV-ASManager cannot connect to GV-AS/ GV-EV Controller over the Internet.

There are several causes for this problem such as IP address conflict, incorrect connection settings and network failure. Follow the steps below to assign the fixed IP to the GV-ASManager and GV-AS / GV-EV Controller respectively. This procedure can determine if the problem is caused by the faulty devices and incorrect network settings.

1. Disconnect the hub or switch, which connects the GV-ASManager and GV-AS / GV-EV Controller, from the network.
2. Give the GV-ASManager a fixed IP address that is NOT used by another device, e.g. 192.168.0.154.

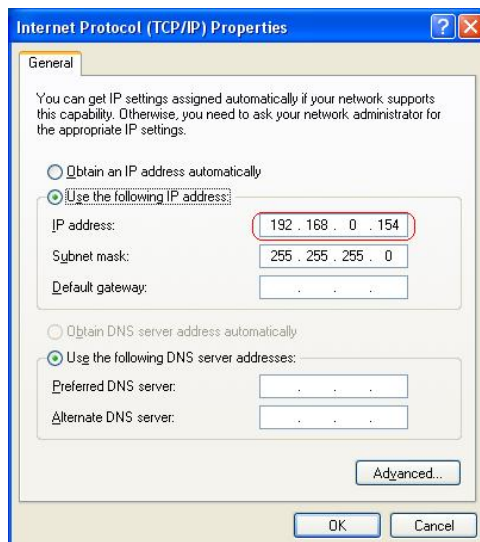


Figure 10-1

3. Reset the controller module and Ethernet module to factory defaults.
 - a. Plug the GV-ASKeypad to the controller.
 - b. Remove the jumper cap from the 2-pin **Default** jumper.
 - c. Press the **Reset** button.
 - d. Replace the jumper cap back to the 2-pin **Default** jumper.
 - e. To reset the Ethernet Module, press and hold the **Default EN** button for 6 seconds.

4. Open the browser and enter the controller default address: <http://192.168.0.100>

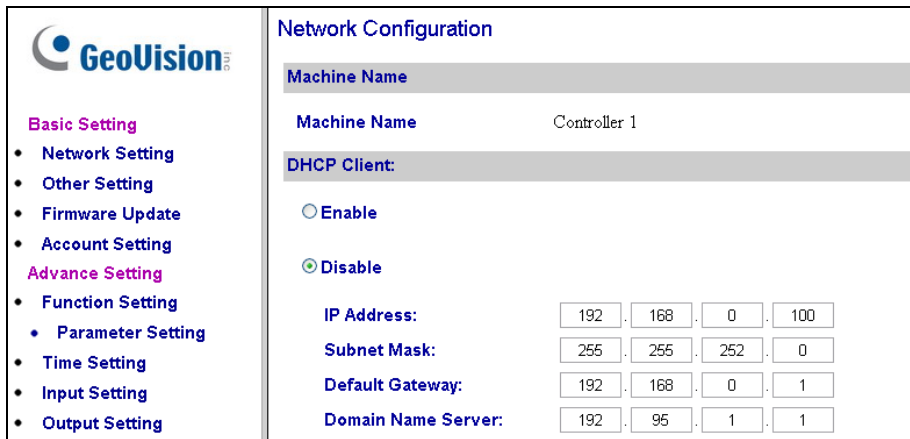


Figure 10-2

5. In the IP address field, give the controller an IP address that is NOT used by another device, e.g. 192.168.0.XXX.
6. On the GV-ASManager, enter the following settings:

Controller ID: 1

Network: TCP/IP

IP: 192.168.0.XXX

Port: 4000

User: admin

Password: admin

Crypto key: 12345678

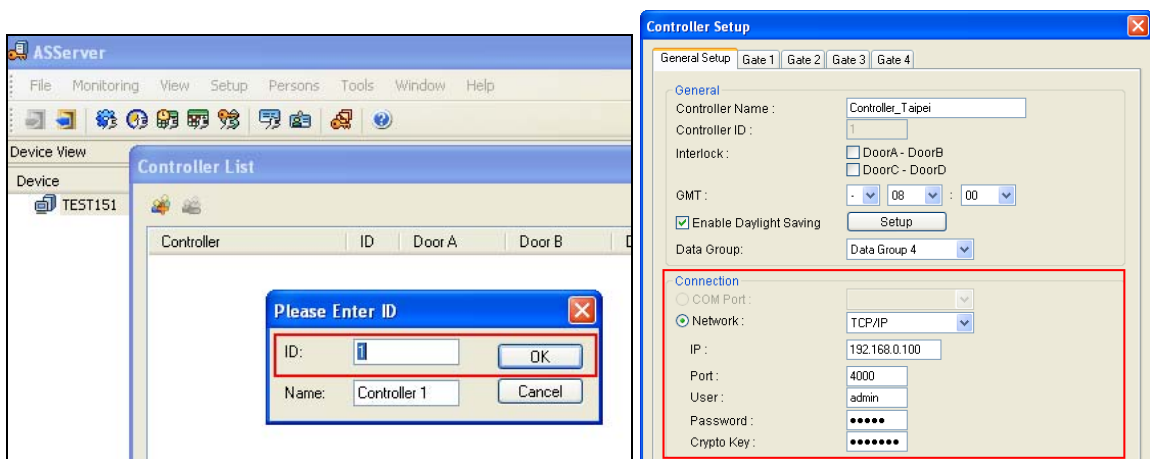



Figure 10-3

7. The connection between the GV-ASManager and controller should be established, and the connection icon  should appear. If disconnection happens after you connect the hub or switch to the network, then it should be other network problems. Please contact your network administrator.

Q2: The connection established between the GV-ASManager and GV-AS / GV-EV Controller is interrupted.

This may be due to IP address conflict. Follow these steps to troubleshoot the problem:

1. Disconnect the hub or switch, which connects to the GV-ASManager and the controller, from the network.
2. Run Windows **Command Prompt**. Take Classic Windows Start Menu for example, click **Start**, select **Accessories** and click **Command Prompt**.
3. Type **arp -d** and press **Enter**.

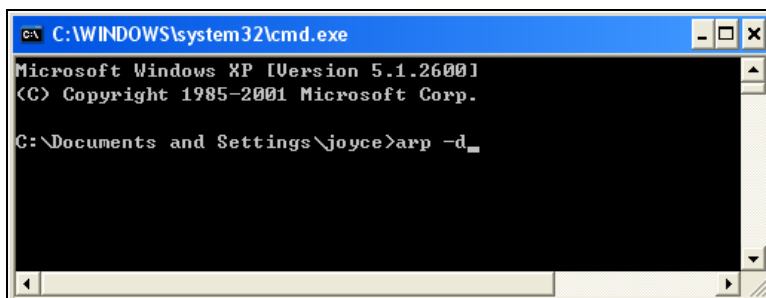


Figure 10-4

4. Give the GV-ASManager a fixed IP address that is NOT used by another device. See Figure 10-1.
5. Open the browser and enter the assigned IP address of the controller. The Network Configuration page appears. See Figure 10-2.
6. In the IP address field, give the GV-AS / GV-EV Controller an IP address that is NOT used by another device, e.g. 192.168.0.XXX.
7. On the GV-ASManager, enter the following settings. See Figure 10-3.

Controller ID: 1

Network: TCP/IP


IP: 192.168.0.XXX

Port: 4000

User: admin

Password: admin

Crypto key: 12345678

8. The connection between the GV-ASManager and GV-AS Controller should be established, and the connection icon  should appear. If disconnection happens after you connect the hub or switch to the network, then it should be other network problems. Please contact your network administrator.

Q3: GV-ASManager cannot receive card messages but the reader accepts the card when the connection between the GV-ASManager and GV-AS / GV-EV Controller is well established.

It may be due to memory failure in the GV-AS / GV-EV Controller. Reset both the controller module and the Ethernet module to factory settings. Refer to Step 3 in Question 1.

Q4: The GV-ASManager cannot retrieve the video from the DVR for playback.

1. Make sure the **Remote ViewLog Service** on **Control Center Server** is enabled on the DVR.
2. Make sure the time on the GV-ASManager and the DVR is consistent.
3. Make sure the event file you want to play back has been created completely on the DVR. For example, the assigned time length of every recorded event on the DVR is 5 minutes. The desired event of 5 minutes must have been displayed on the ViewLog Event List, so you can access the event file for playback.

Q5: After I add a card by presenting to the reader, the message “Access Denied Invalid Card” still appears.

It may be the card format is not compatible with the GV-AS / GV-EV Controller. Make sure the card format is 26~64 bits. Otherwise, send us the related information of your card format so that we can customize the format for you.

Q6: The GV-ASManager cannot receive card messages from the GV-Reader connected to the GV-AS / GV-EV Controller through RS-485 interface.

1. Make sure the GV-Reader is correctly wiring to the controller and Switch 4 on the GV-Reader is set to OFF.
2. Make sure the correct GV-Reader ID is set on the controller.

Q7: The GV-AS Controller does not respond to reader(s) connected through its Wiegand interface.

If the Wiegand reader is correctly wired but the information received isn't transmitted to the GV-AS Controller, this may be due to insufficient voltage on the controller's Wiegand port. Click [here](#) to troubleshoot for this issue.

Q8: I can't change the Advanced Settings on the Web interface of the GV-AS / GV-EV Controller. The "Submit" button is missing.

To modify the Advanced Settings, make sure the **Web Setting Switch** on the controllers is set to ON. For the location of the Web Setting Switch, refer to the *Web Setting Switch* section of each GV-AS / GV-EV Controller or GV-ASNet / GV-ASBox.

Q9: After installing GV-ASManager, the message "d3dx9_40.dll cannot be found" appears.

Make sure DirectX End-User Runtimes is installed and restart the computer afterwards. To install DirectX End-User Runtimes, insert the supplied Software DVD to your computer, and select **Install DirectX End-User Runtimes (November 2008)**.

Q10: How can I find more help?

Visit our website at <http://www.geovision.com.tw>

Write to us at support@geovision.com.tw

Appendix

A. GV-MountA900 for GV-AS110 / 1110 (Optional)

GV-MountA900 is an optional mounting plate that allows you to attach GV-AS110 / 1110 to a US single gang power box.

- Dimensions: 100 x 68 mm / 3.9 x 2.7 in
- Weight: 55 g / 0.12 lb

Connecting GV-MountA900

1. Attach GV-MountA900 to the US single gang power box by securing the screws for holes C as shown below.
2. Attach GV-AS110 / 1110 to GV-MountA900 by securing the screws for holes B as shown below.

