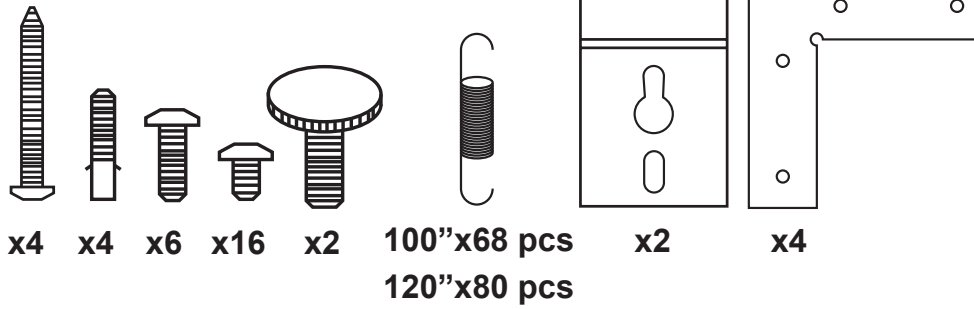


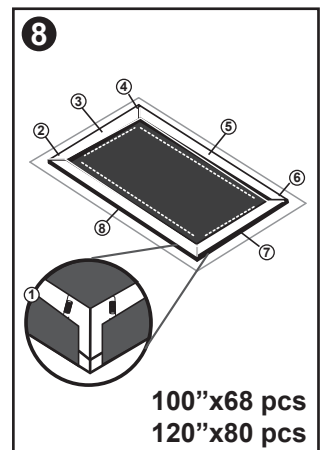
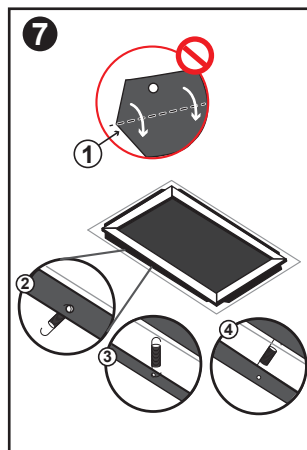
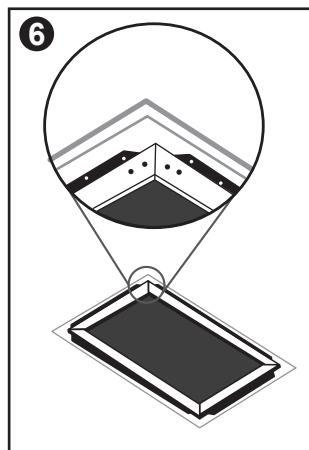
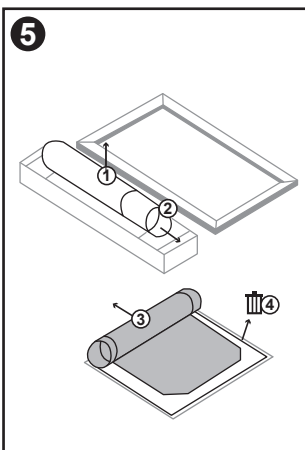
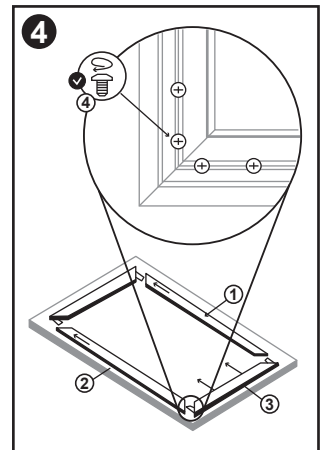
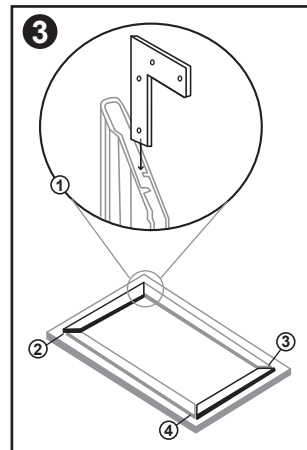
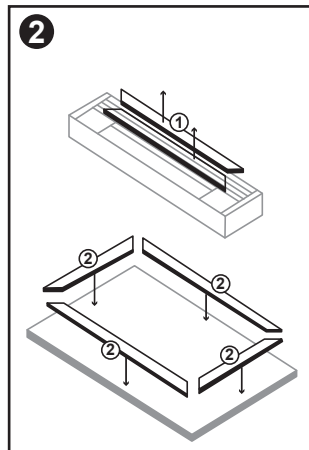
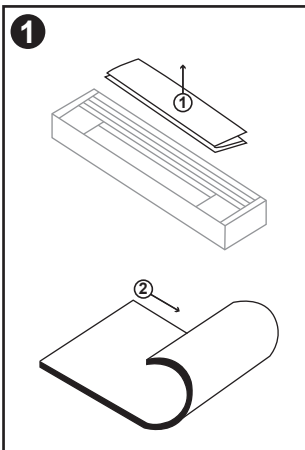


BrilliantColorPanel™ BCP100/BCP120 Quick Start Guide

1

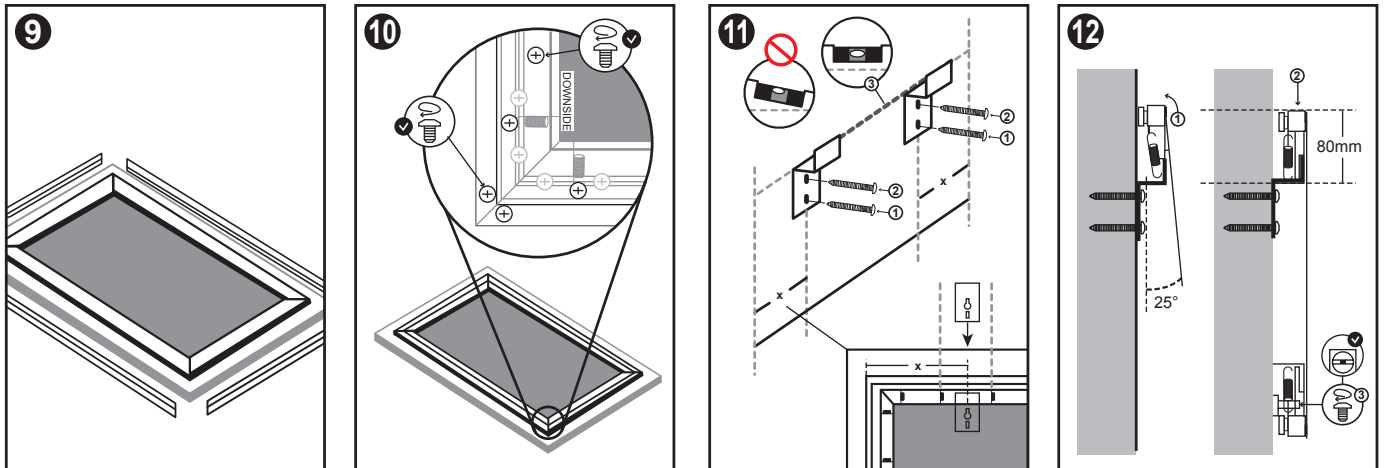


2





BrilliantColorPanel™ BCP100/BCP120 Quick Start Guide



<http://www.viewsonic.com/support/>



中国
<http://www.viewsonic.com.cn>
电话: 4008 988 588

香港
<http://www.hk.viewsonic.com>
電話: 852 3102 2900

澳門
<http://www.hk.viewsonic.com>
電話: 853 2840 3687

台灣
<http://www.viewsonic.com.tw>
電話: 0800 061 198

한국
<http://ap.viewsonic.com/kr/>
Phone: 080 333 2131

Singapore/Malaysia/Thailand
<http://www.viewsonic.com.sg>
Phone: 65 6461 6044

India
<http://www.in.viewsonic.com>
Phone: 1800 419 0959

United States
<http://www.viewsonic.com>
Phone: 1-800-688-6688
(Toll-Free)
1-424-233-2530 (Toll)

Canada
<http://www.viewsonic.com>
Phone: 1-866-463-4775
(Toll-Free)
1-424-233-2533 (Toll)

Europe
<http://www.viewsoniceurope.com>
www.viewsoniceurope.com/uk/support/call-desk/
Australia/New Zealand
<http://www.viewsonic.com.au>
Phone: 1800 880 818 (AUS)
0800 008 822 (NZ)

South Africa
<http://ap.viewsonic.com/za/>

Latin America (Chile)
<http://www.viewsonic.com/la/>
<http://www.viewsonic.com/la/soporte/servicio-tecnico>

Latin America (Mexico)
<http://www.viewsonic.com/la/>
<http://www.viewsonic.com/la/soporte/servicio-tecnico>
Latin America (Peru)

<http://www.viewsonic.com/la/soporte/servicio-tecnico>

Latin America (Argentina)
<http://www.viewsonic.com/la/soporte/servicio-tecnico>

Puerto Rico & Virgin Islands
<http://www.viewsonic.com>
Phone: 1-800-688-6688
(English)
<http://www.viewsonic.com/la/soporte/servicio-tecnico>