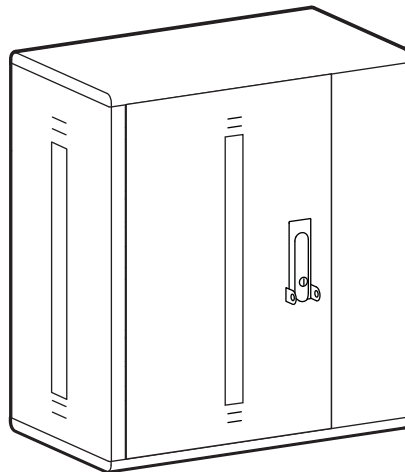


ergotron®

YES20 Charging Cabinet for Tablets



This Cabinet is designed to automatically charge and store tablet, smart phone, and hand-held devices safely and efficiently. This cabinet supports 1-20 devices. Please review this manual before installing your equipment to learn how to use the cabinet safely.

The cabinet is listed to UL 62368 Audio/Video Information and Communication Technology Equipment. CAN/CSA C22.2 No. 62368-1

AC input: 120VAC 60 Hz. Max amps: 12A.

English







For the latest User Installation Guide please visit: www.ergotron.com
English, Français

www.ergotron.com | USA: 1-800-888-8458

Safety

Hazard Symbols Review

These symbols alert users of a safety condition that demands attention. All users should be able to recognize and understand the significance of the following Safety Hazards if encountered on the product or within the documentation. Children who are not able to recognize and respond appropriately to Safety Alerts should not use this product without adult supervision!

Symbol	Signal Word	Level of Hazard
	INSTRUCTIONS	Refer to instruction manual/booklet. Follow instructions for use.
	CAUTION	A CAUTION indicates either potential damage to hardware or loss of data and tells you how to avoid the problem.
	WARNING	A WARNING indicates either potential for property damage, personal injury, or death.
	DANGER	A DANGER indicates a hazardous situation that, if not avoided, will result in death or serious injury.

Equipment Electrical Safety

There are specific risks associated with the use of equipment having power cables. You must be aware of, and avoid these risks when located in close proximity to children.

 **WARNING:** Failure to observe the following Electrical Safety notices can result in fire or death by electric shock.

Electrical cables can be hazardous. Misuse can result in fire or death by electrical shock.

- Inspect power cables thoroughly before each use.
- Do not use cables that are damaged.
- Insert the plug completely into the outlet.
- Grasp the plug to remove from the outlet.
- Do not unplug by pulling on the cable.
- Do not use excessive force to make connections.
- Do not plug the cable into an extension cable.
- Do not remove, bend or modify any metal prongs or pins of cable.
- Do not drive, drag or place objects over the cable.
- Do not walk on the cable.
- Avoid overheating. Uncoil the cable and do not cover it with any material.
- Do not run cable through doorways, holes in ceilings, walls or floors.

Keep away from water.

- Do not use it when wet.
- Do not place in close proximity to flammable liquids or gases.

Electrical devices are not toys. Children are often unaware of the hazards associated with electrical devices, so this unit must always be used by adults or with adult supervision.

Do not use this unit outdoors.

Liquids should not be stored in, set on or placed inside this unit.


Never unplug this product from the outlet when your hands are wet.


Ergotron does not accept any liability for damage if the unit is misused, incorrectly operated or inadequately repaired.

Under these circumstances the warranty will be void.

Safe Use Recommendations

 **WARNING:** Failure to observe the following Safety notices may result in serious personal injury or equipment damage.

 **WARNING:** Death or serious injury may occur when children climb on audio and/or video equipment furniture. A remote control or toys placed on the furnishing may encourage a child to climb on the furnishing and as a result the furnishing may tip over on to the child.

 **WARNING:** Relocating audio and/or video equipment to furniture not specifically designed to support audio and/or video equipment may result in death or serious injury due to the furnishing collapsing or over turning onto a child.

Elevated Operating Ambient - Consideration should be given to installing in an environment compatible with the maximum ambient temperature T_{ma} of 30 degrees C.

Reduced Air Flow - Instructions indicated to not block the ventilation openings so proper air flow required for safe operation of the equipment is not compromised.

Mechanical Loading - Mounting of the equipment should be such that a hazardous condition is not achieved due to uneven mechanical loading.

Only Adults should use this.

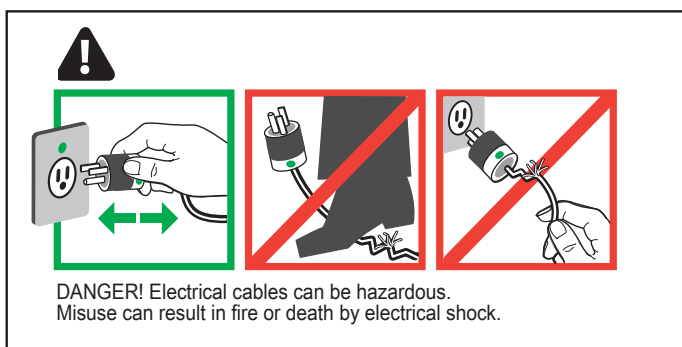
- Do not allow anyone to sit, stand, or climb on.
- Do not block the vent openings. To prevent overheating, leave at least 127 mm (5-inch) clearance around vents.
- Do not use to store equipment other than what has been noted in this guide.
 - The maximum weight capacity of the top surface is 11.4 kg (25 lb).
 - The maximum weight capacity per shelf is 28 lbs (12.7 kg) (2 shelves total)

 **CAUTION:** DO NOT EXCEED MAXIMUM LISTED WEIGHT CAPACITY. SERIOUS INJURY OR PROPERTY DAMAGE MAY OCCUR!

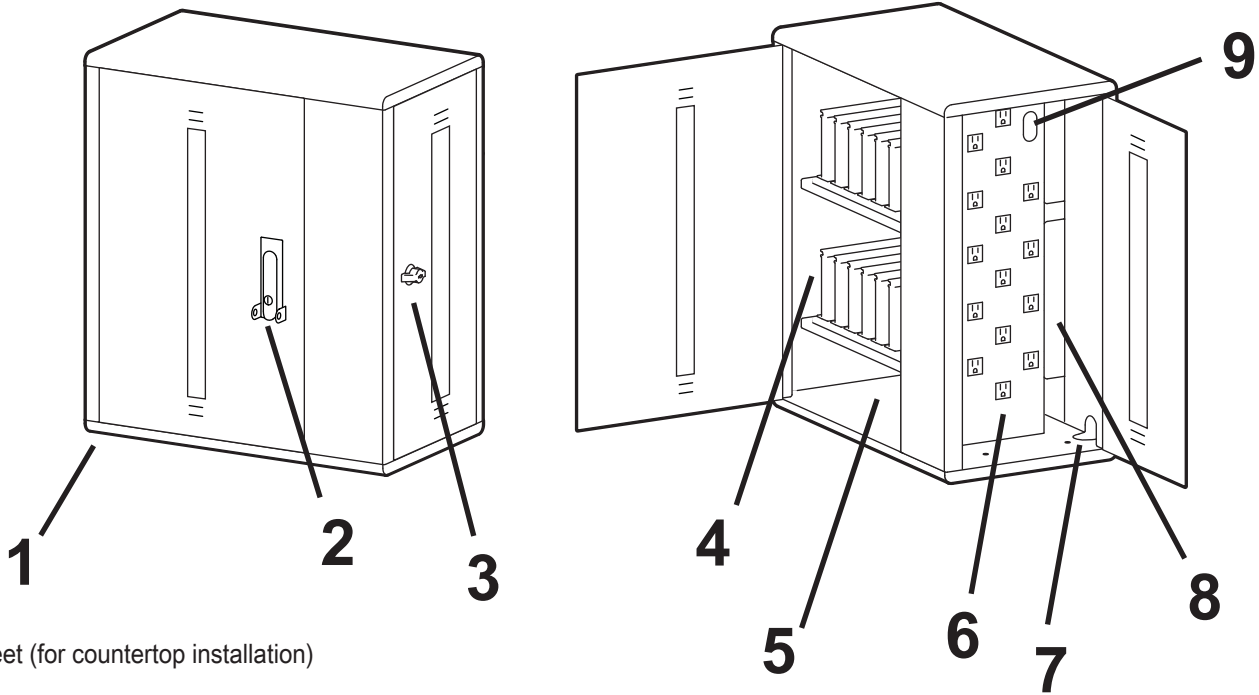
Charging

DEVICES MUST BE TURNED OFF BEFORE CHARGING. Failure to follow these instructions may result in overheating.

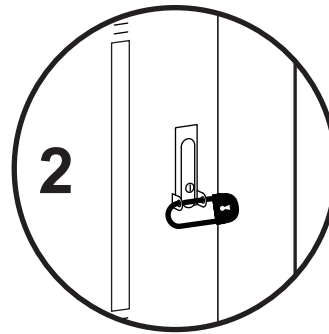
Set the power switch to the down OFF position before you unplug the unit from the wall, plug the unit into the wall, or plug in devices.



Features & Specifications



1. Feet (for countertop installation)
2. Locking front door to user area with latch and padlock bracket
3. Locking side door to IT area
4. Bay dividers with cable channels
5. Laptop cubby for host computer
6. Center divider with power outlets
7. Power cord access
8. Cord pass-through from front of cabinet
9. Power switch



For added security, each door features hasps to hold your own padlock (maximum shackle dia 5/16" (0.8 cm); minimum shackle height 2" (5.1 cm)). When installed, your padlock restricts access to the handle so the unit can't be opened.

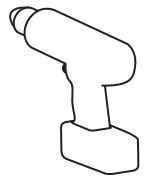
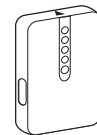
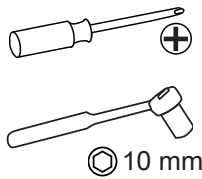
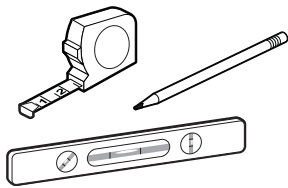


Components

	A	B	C
1	1x 	4x 	4x
2		2x 	4x
3		1x 	4x
4		1x 	2x
5	1x 	2x 	2x
	2x 	20x 	

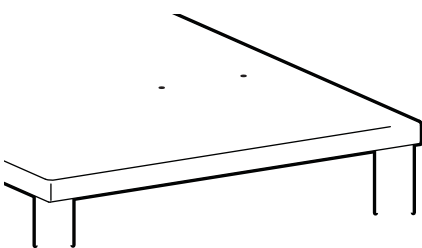


Tools Needed

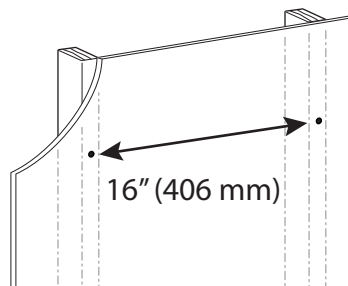


Stud Finder

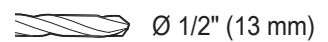
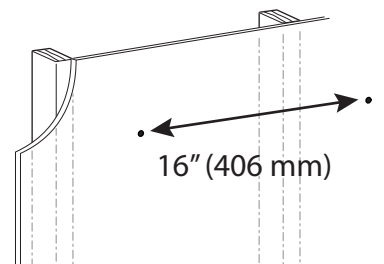
COUNTER TOP



WOOD

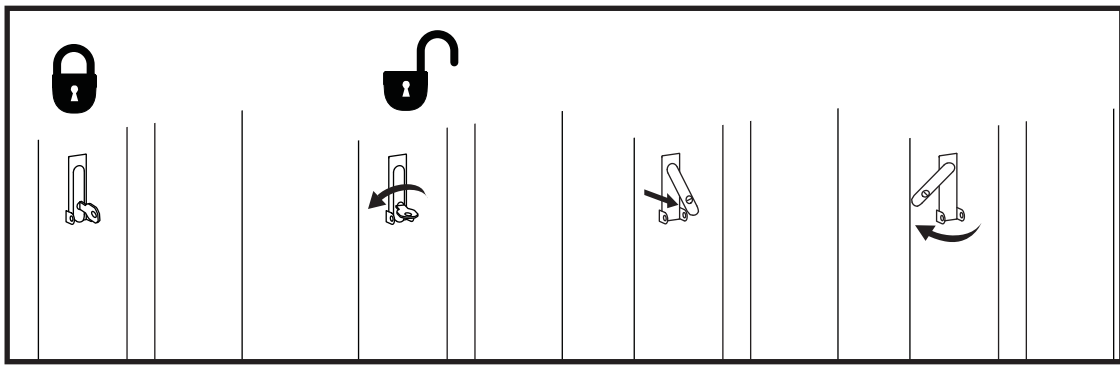
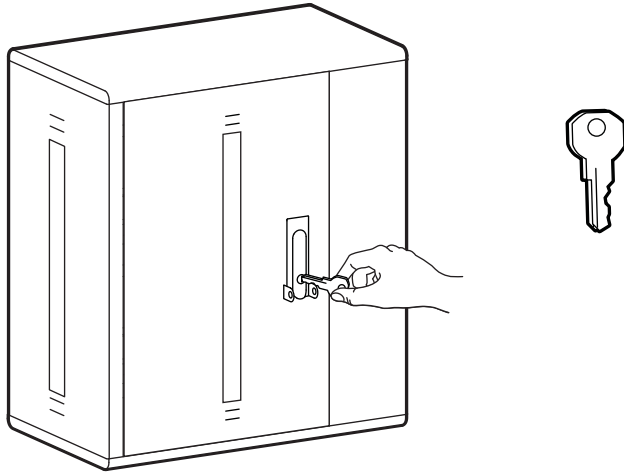


HOLLOW WALL

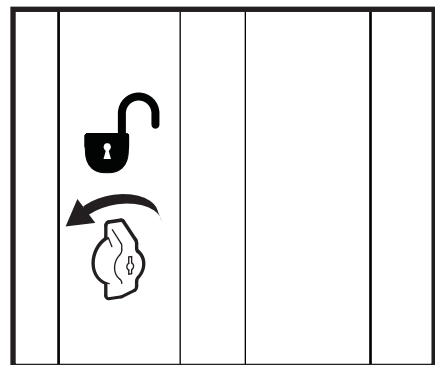
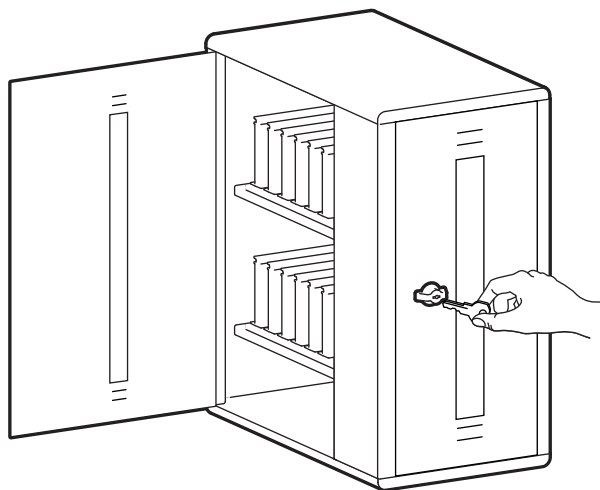


1

Open doors.

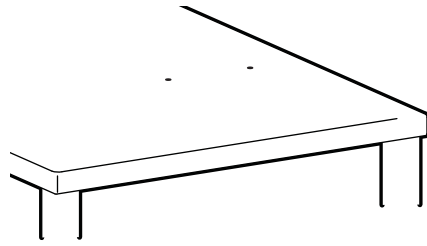


2

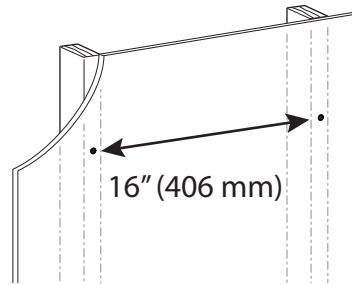


3

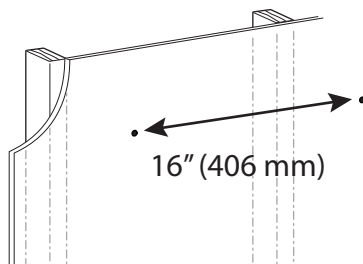
COUNTER TOP



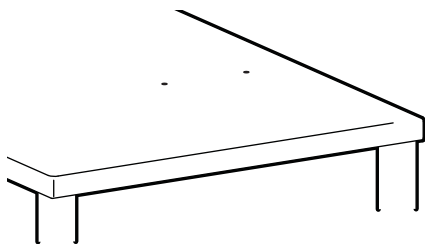
WOOD


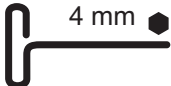


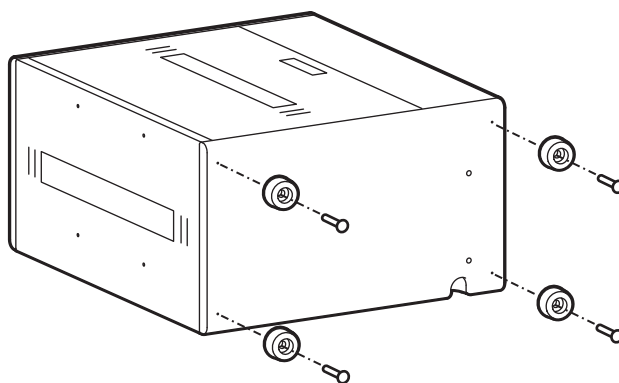
HOLLOW WALL



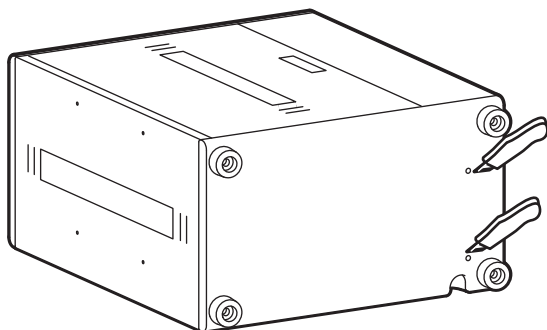
COUNTER TOP



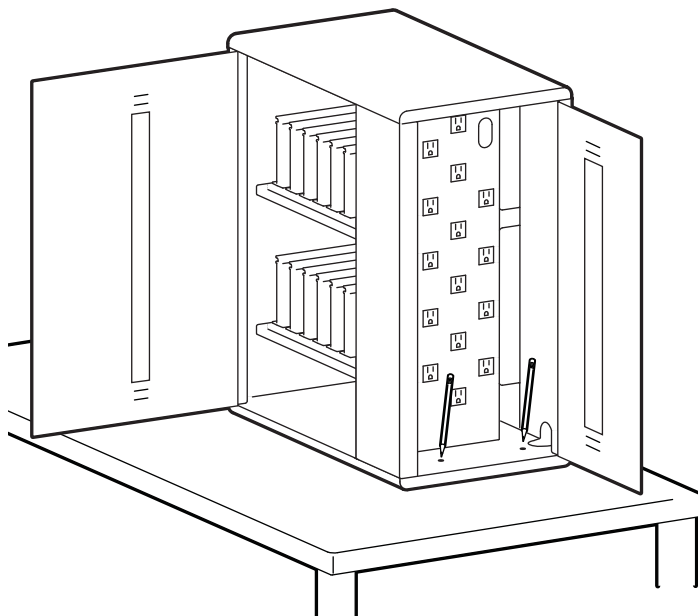
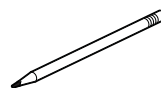
- 1** 4x  #10 x 3/4"
 4 mm



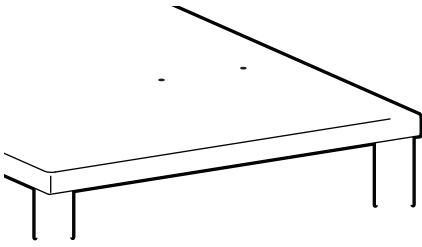
- 2** Slice through the membrane covering the predrilled holes.




- 3** Mark Holes.

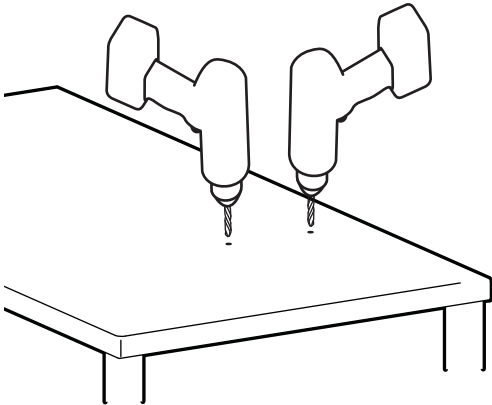


COUNTER TOP

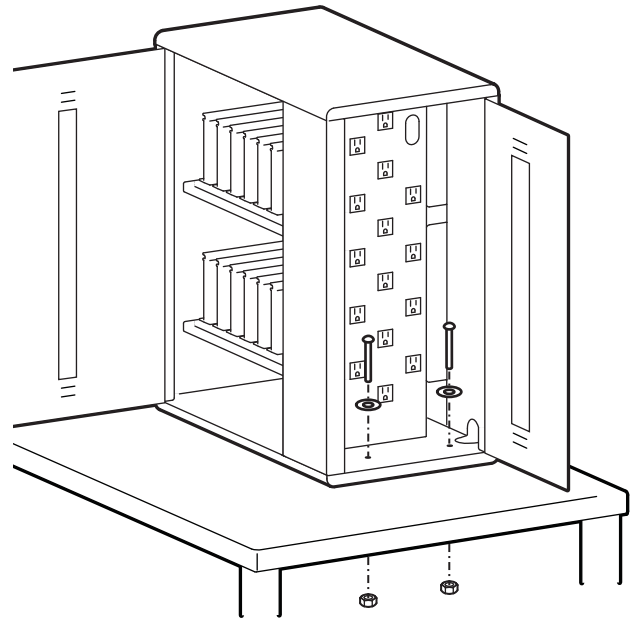
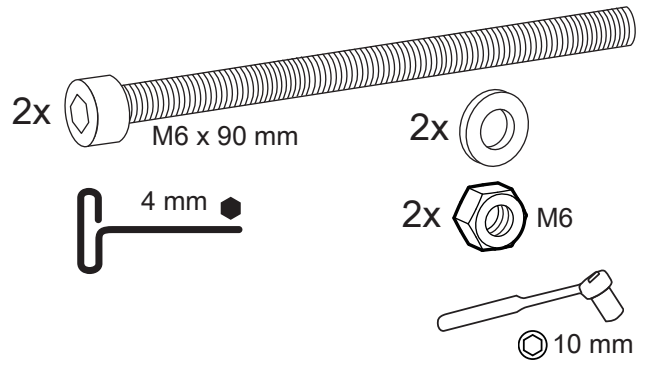


4

 Ø 6 mm (1/4")

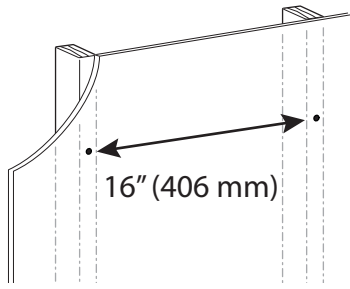


5

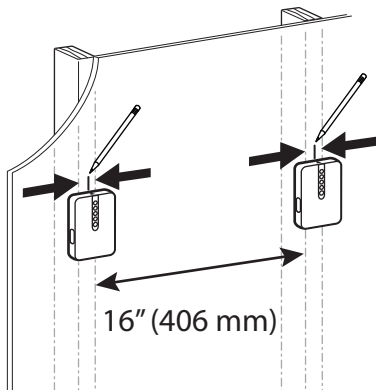


CONTINUE WITH INSTALLATION ON PAGE: 16

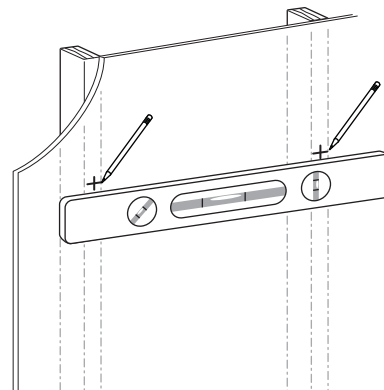




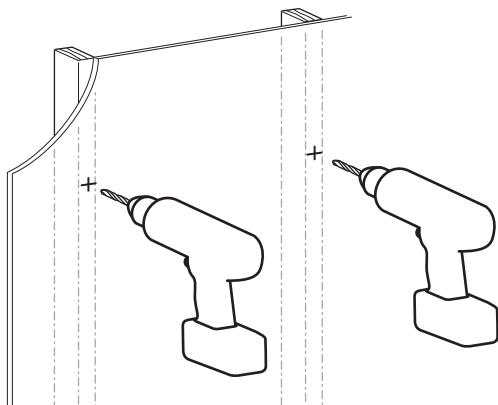
1



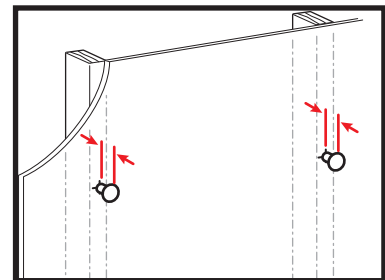
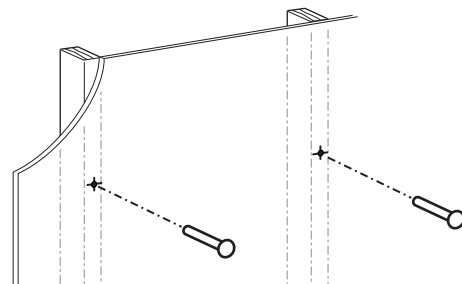
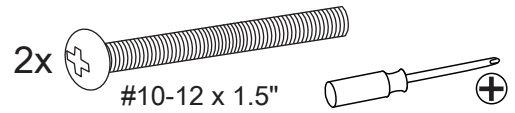
2



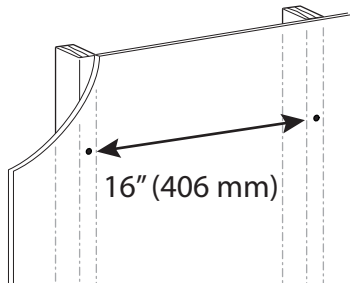
3



4

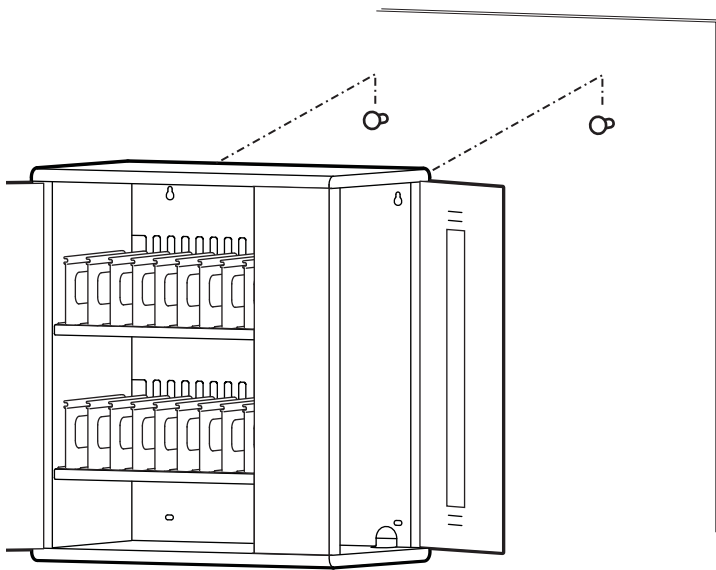


WOOD

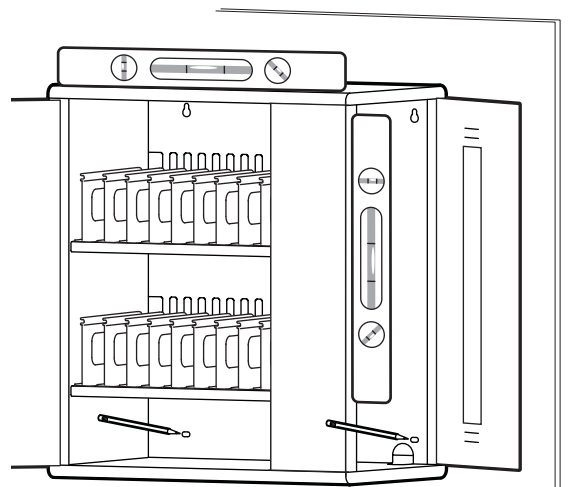
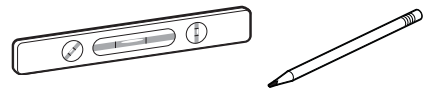


2 person lift.

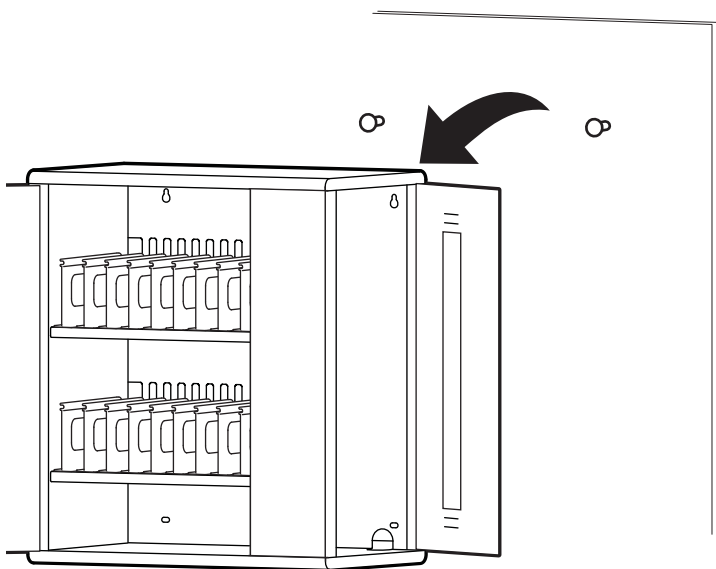
5



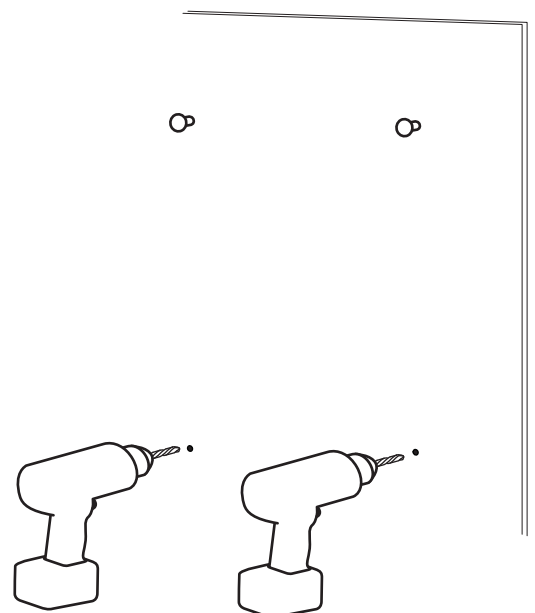
6



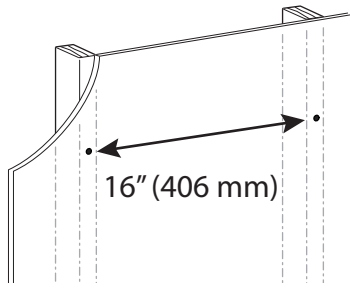
7



8

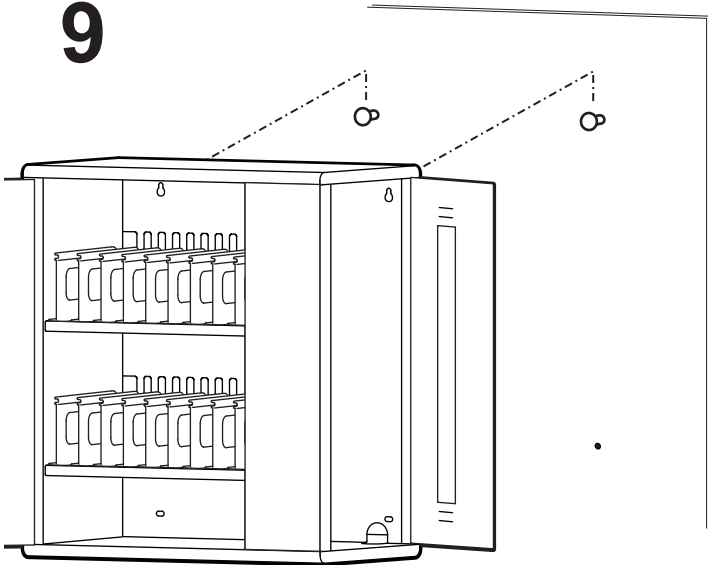


WOOD

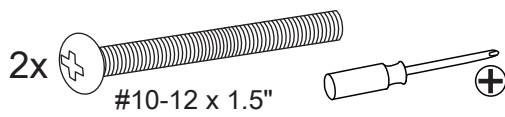


2 person lift.

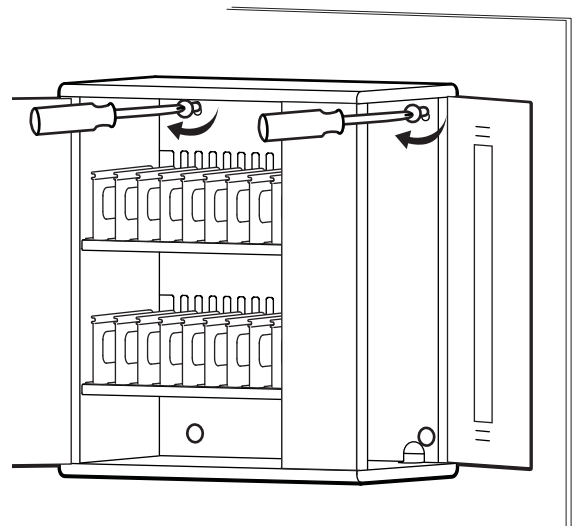
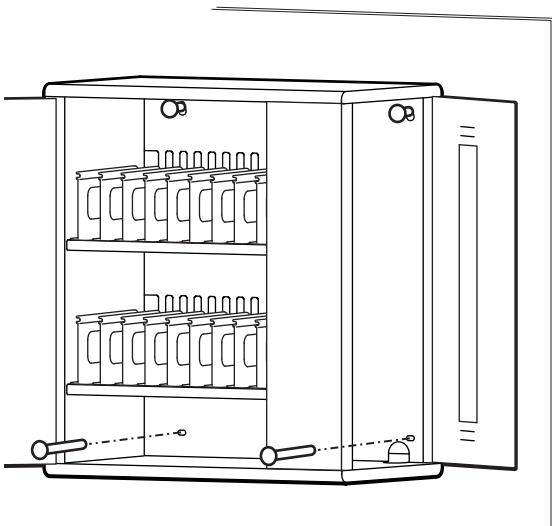
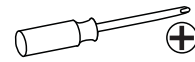
9



10



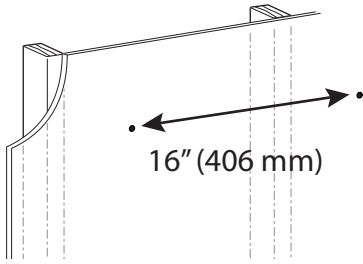
11



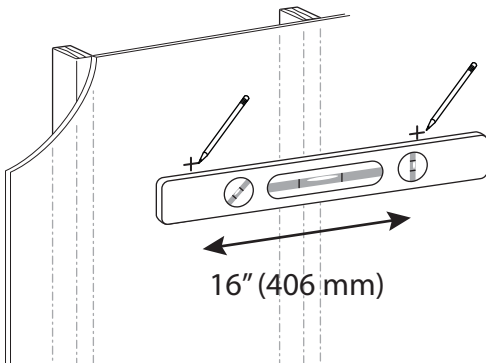
CONTINUE WITH INSTALLATION ON PAGE: 16



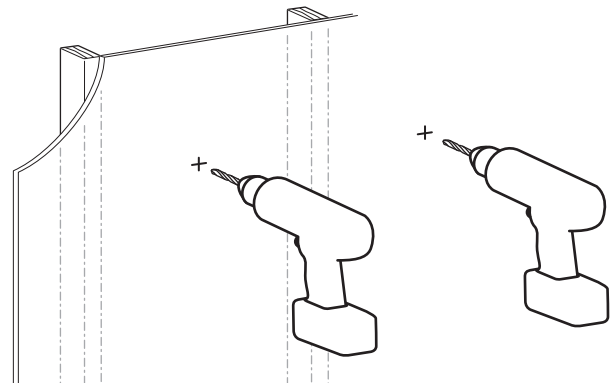
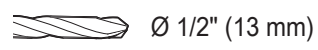
HOLLOW WALL



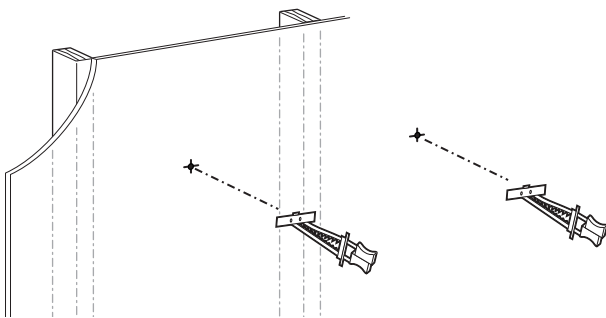
1



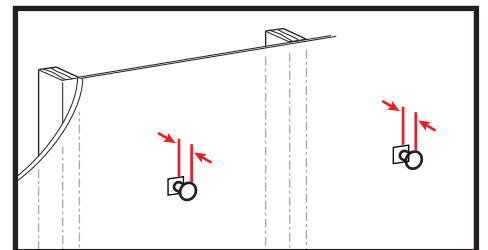
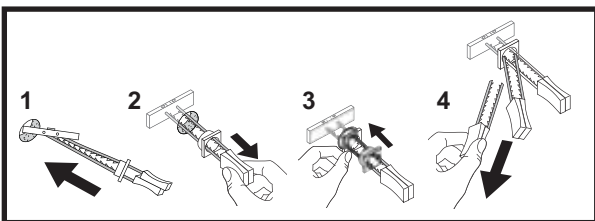
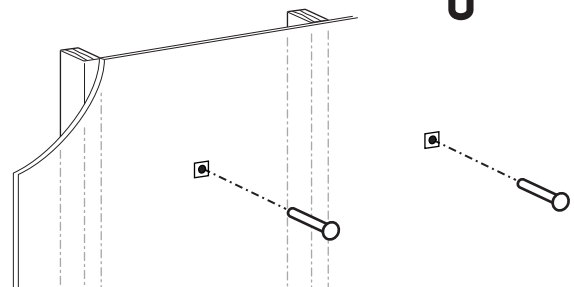
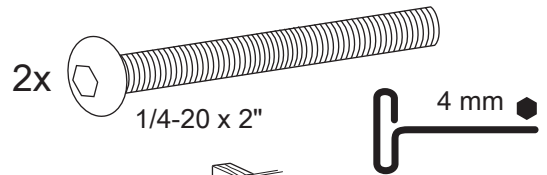
2



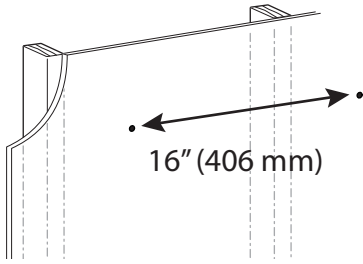
3



4

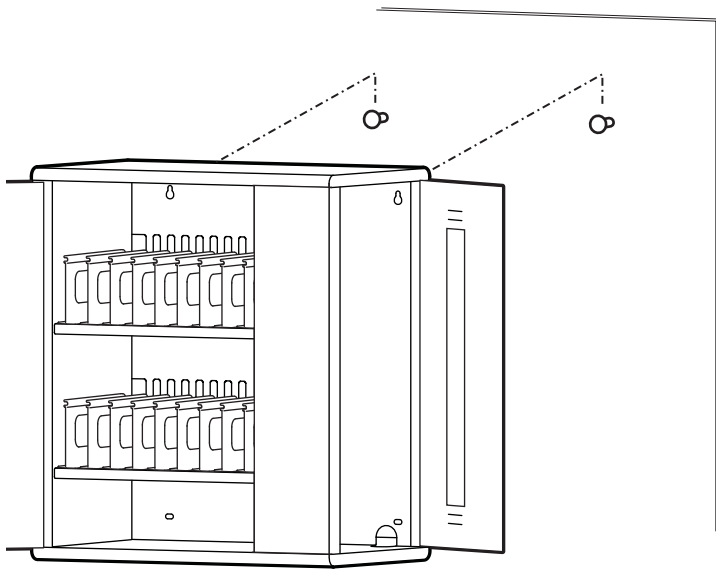


HOLLOW WALL

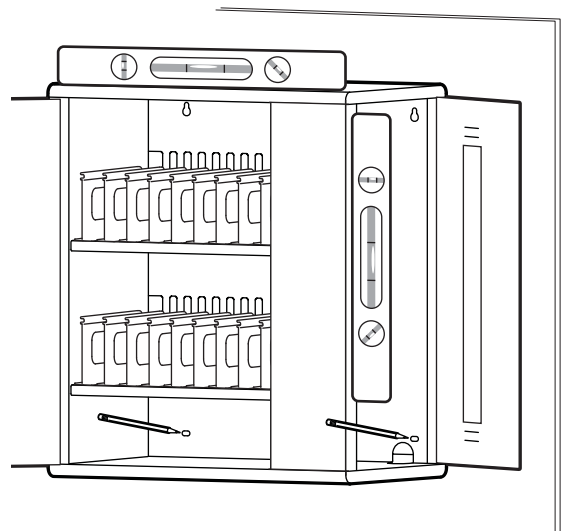
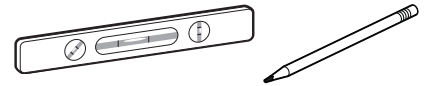


2 person lift.

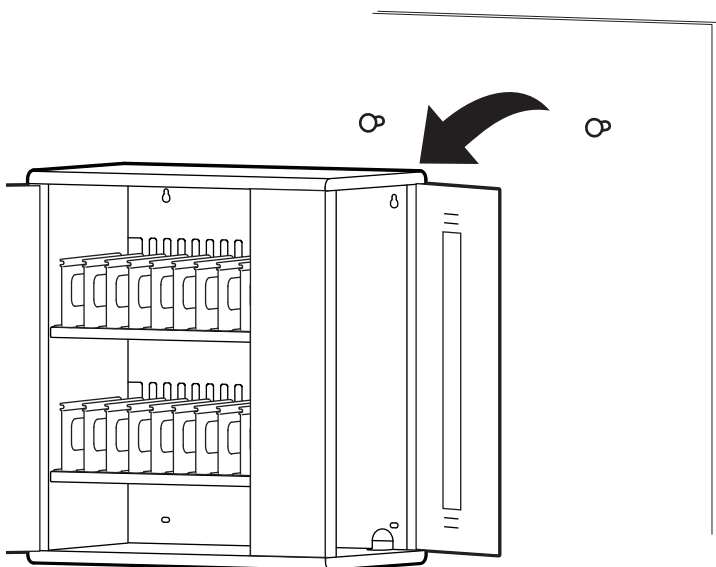
5




6

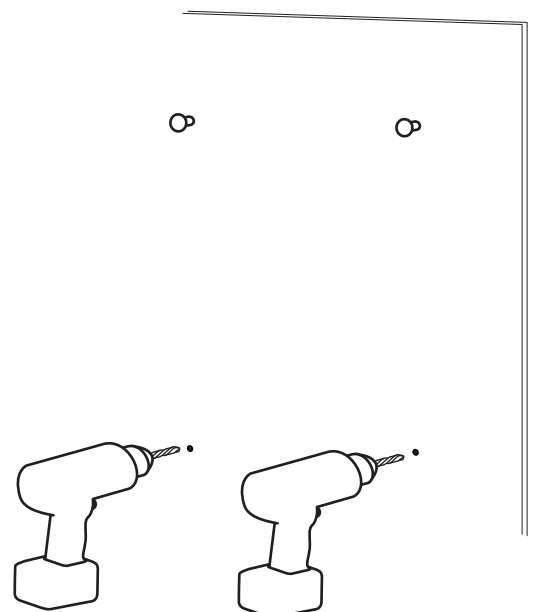


7

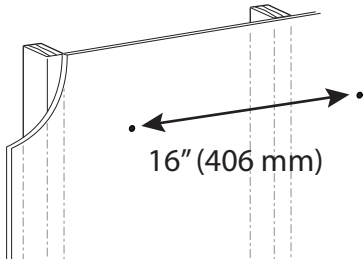


8

 Ø 1/2" (13 mm)

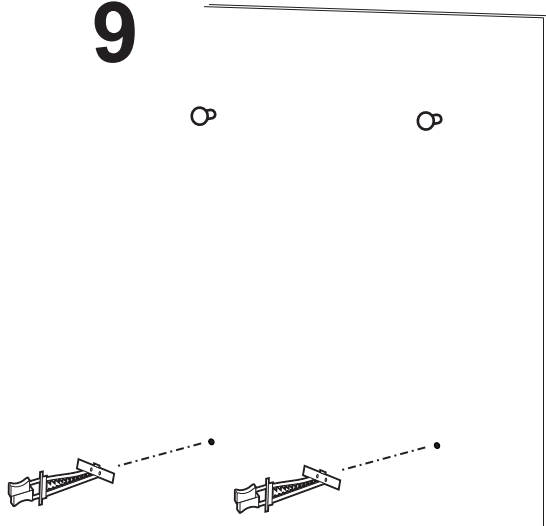


HOLLOW WALL

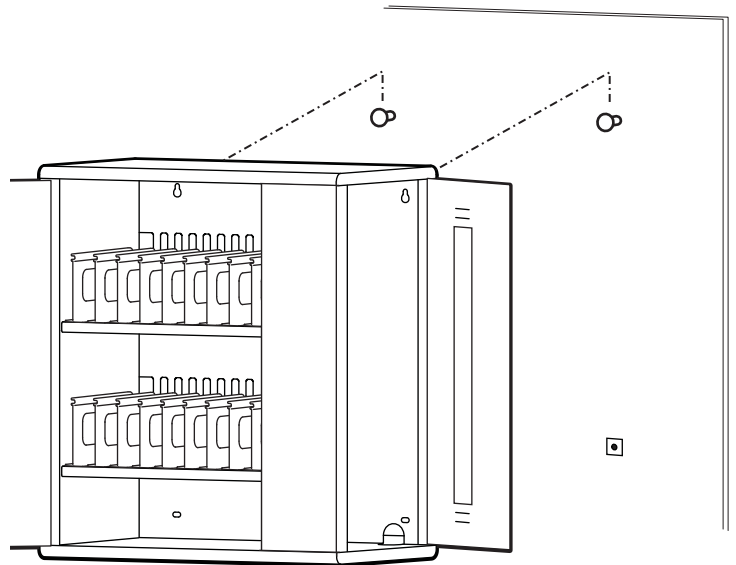


2 person lift.

9

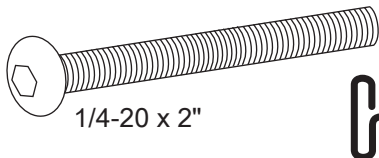


10



11

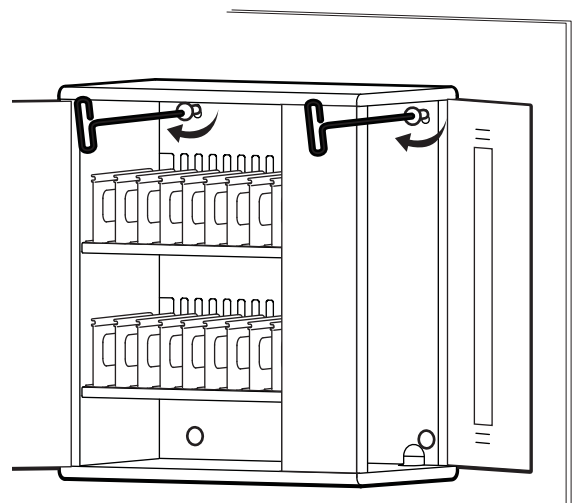
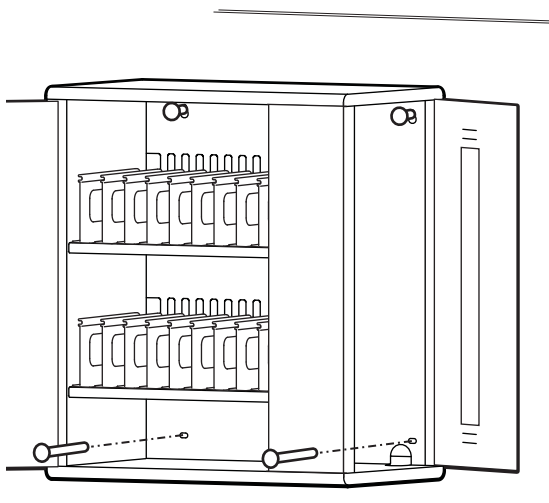
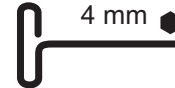
2x 1/4-20 x 2"



4 mm

12

4 mm



CONTINUE WITH INSTALLATION ON PAGE: 16

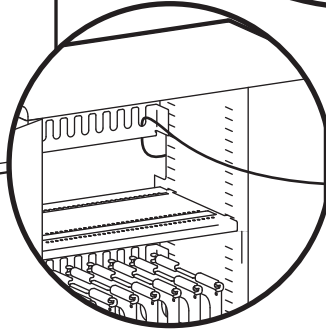
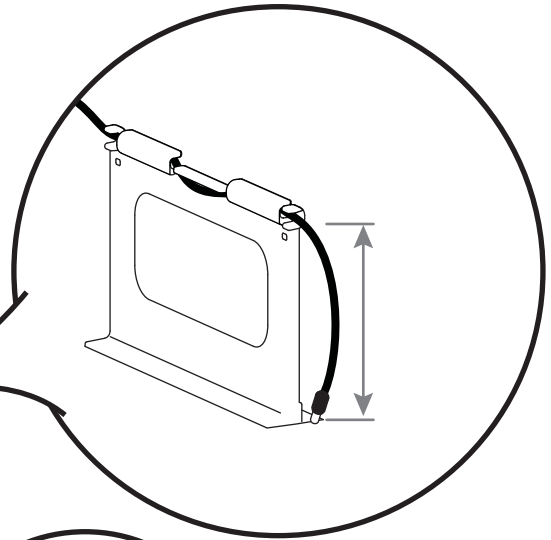
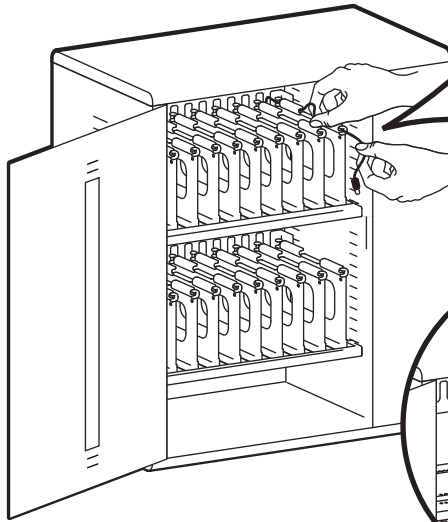


4

Route cables.

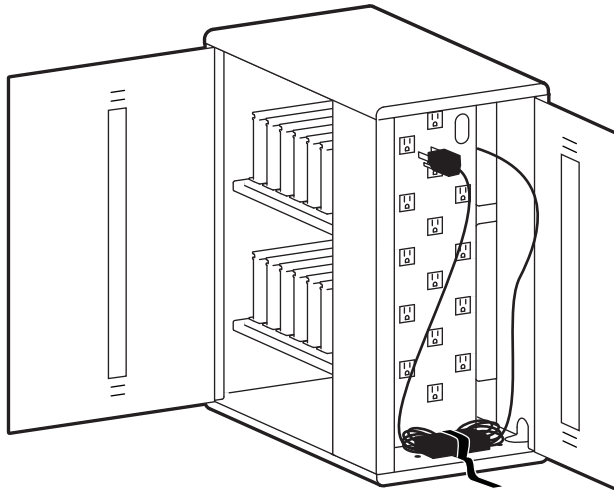


1



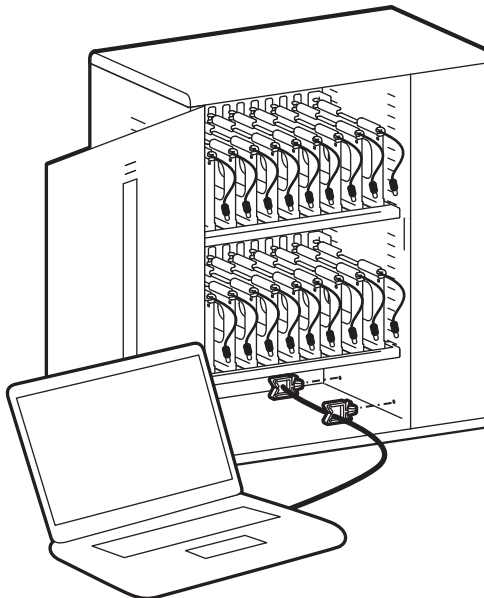
2

20x



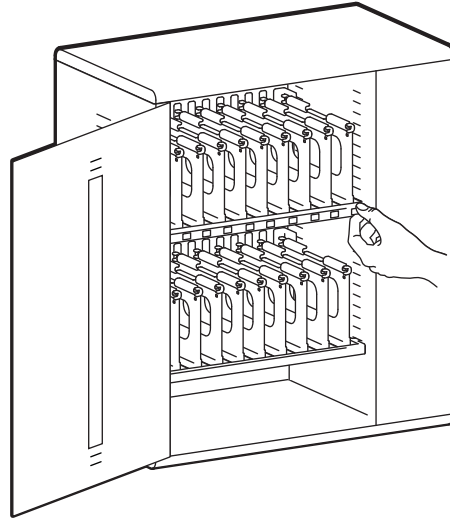
3

2x



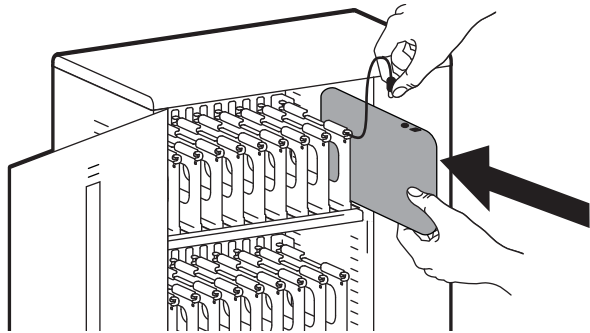
5

Add the Bay labels to each Bay



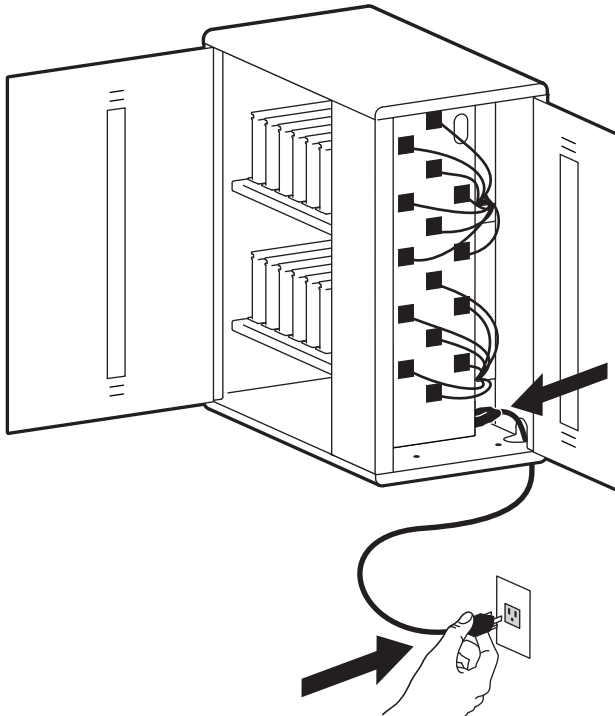
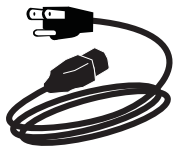
6

Plug in and insert devices.

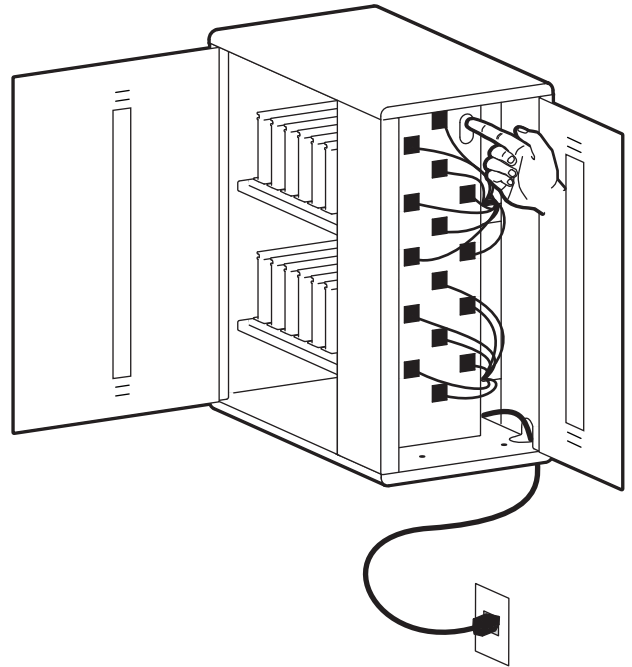


7

1 Plug in power cord.



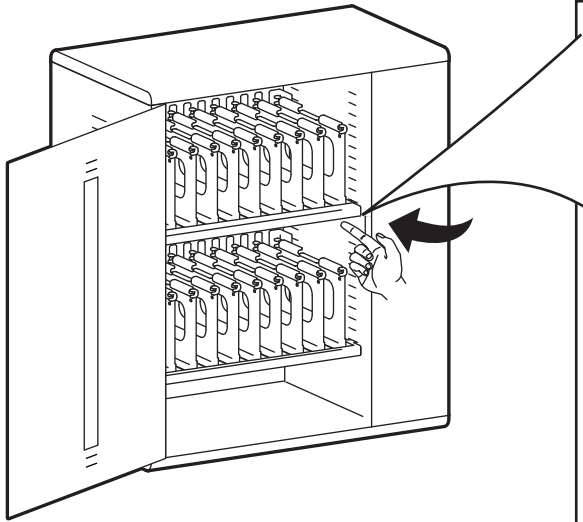
2 Turn on.



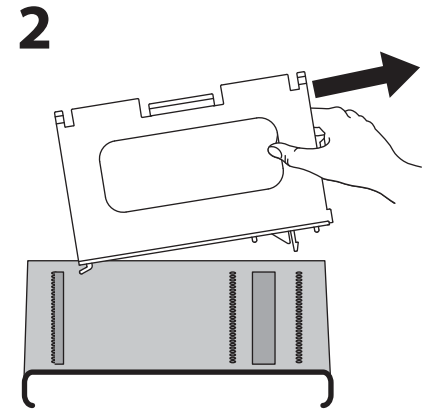
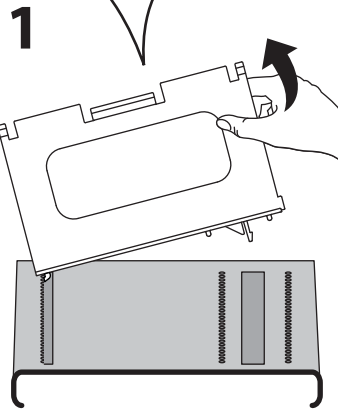
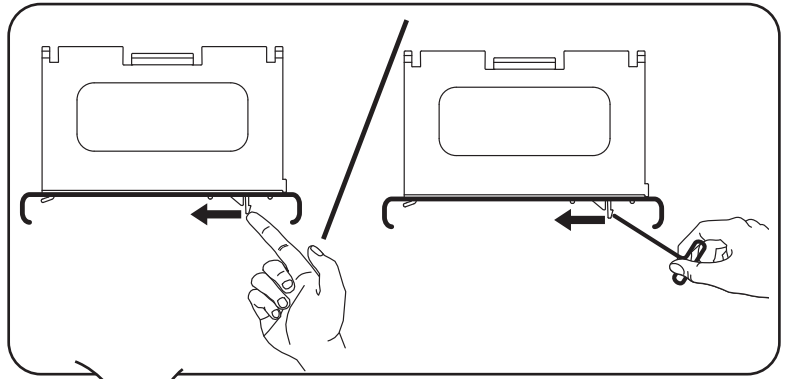
NOTE: ALL DEVICES MUST BE TURNED OFF BEFORE CHARGING.
Failure to follow these instructions may result in overheating.

To charge devices, plug in power cord and turn power on.

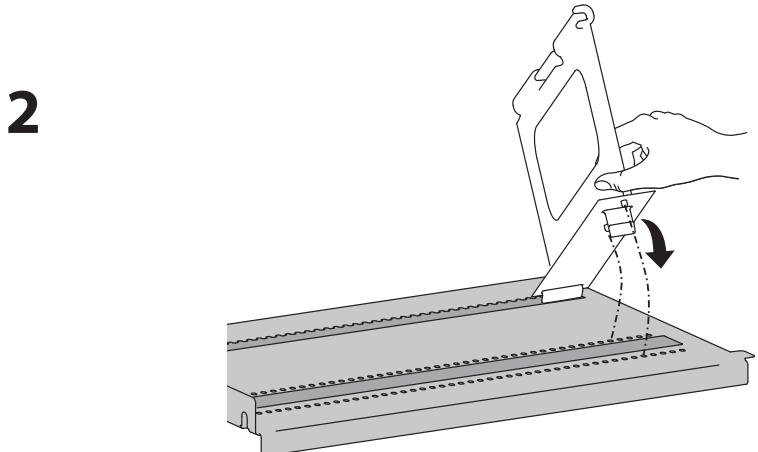
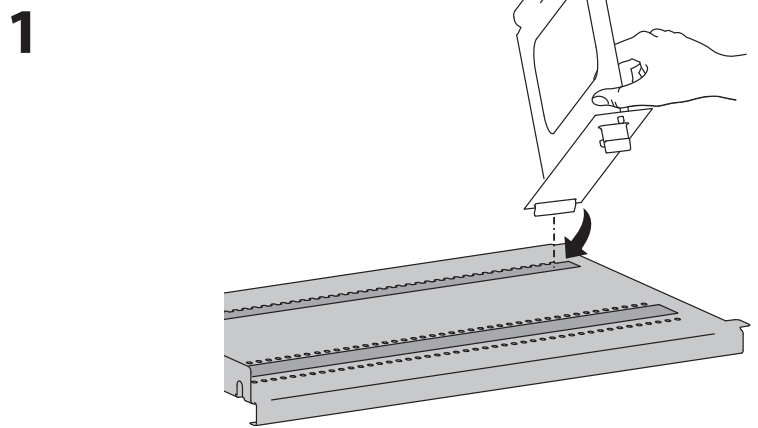
How to Adjust Bay Width:



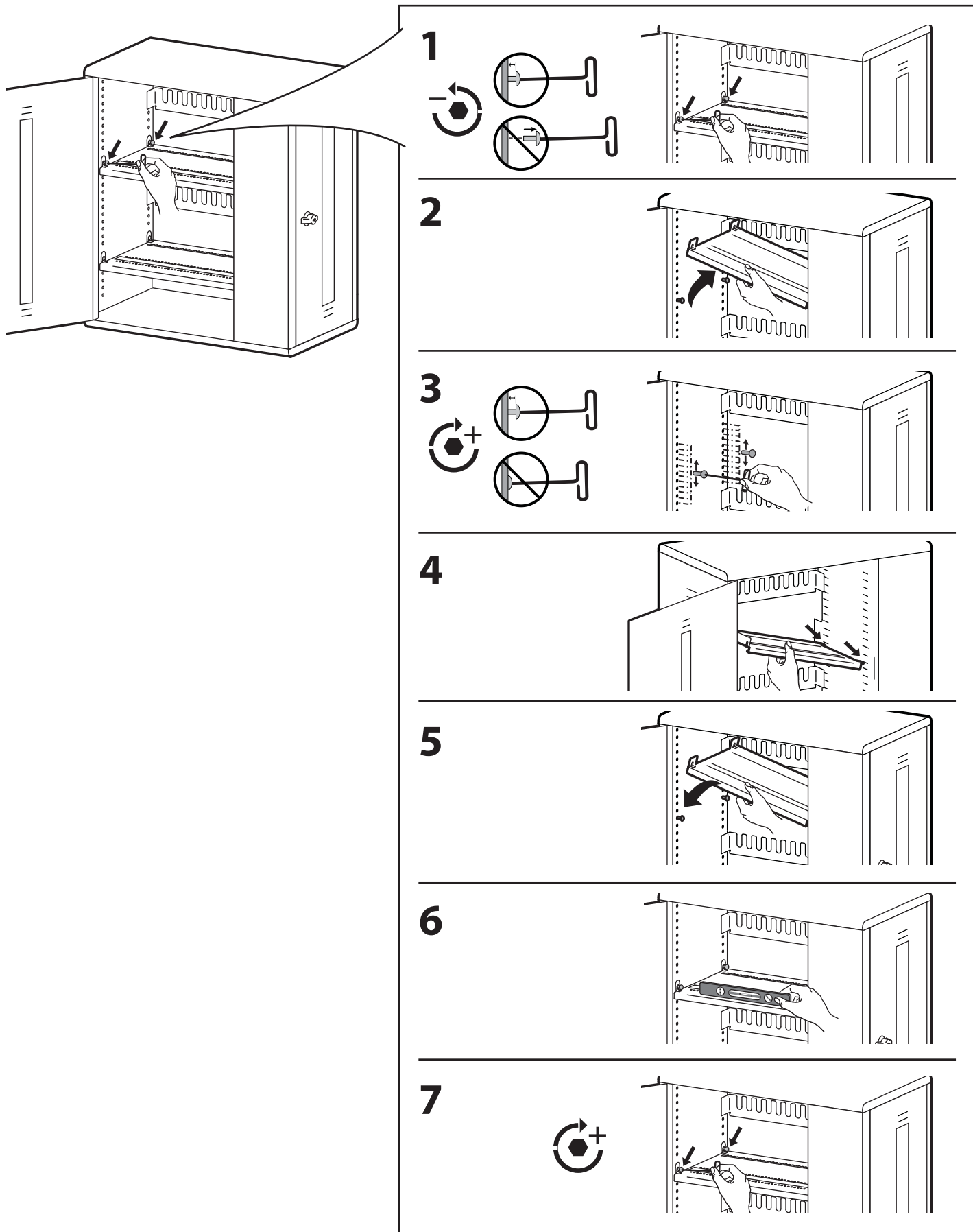
Remove Divider



Install Divider



How to Adjust Shelf Height:



Specifications

Operation is subject to the following two conditions:

- 1) This device may not cause harmful interference.
- 2) This device must accept any interference received, including interference that may cause undesired operation.

Changes or modifications not expressly approved by Ergotron could void the user's authority to operate the equipment.

Intended for institutional use.

Dimensions

21"W x 24"H x 12"D (53x61x30.5 cm)

Weight (without equipment)

65 lb (29.5 kg)

Rated weight capacity

Top surface is 11.4 kg (25 lb).

Per shelf is 28 lbs (12.7 kg) (2 shelves total)

Device Slot Size (for 20 Slot set up)

1.3"W x 10.5"D x 10"H (3.4x26.7x25.4 cm)

Device with case and power cord installed must fit within these dimensions.

Shipping dimensions

29"W x 26"D x 17.5"H (74x66x44.5 cm)

Shipping weight

70 lb (32 kg)

Power system

120V~ 60-Hz, 12A

Environmental

Temperature range:

Operating 59° to 86°F (15° to 30°C)

Storage -40° to 140°F (-40° to 60°C)

Relative humidity (maximum):

Operating 10%–90% (non condensing)

Storage 5%–95% (non condensing)

Altitude (maximum): 2000 m (6,562 ft)

Certification:

UL 62368 Audio/Video Information and Communication Technology Equipment.


CAN/CSA C22.2 No. 62368-1

ICES-003 Issue 6, Class A


FCC Part 15 Class A


RoHS and REACH compliant material used.

Cleaning and Maintenance


 **WARNING:** Failure to observe the following safety notices may result in serious personal injury or equipment damage. Inspect for damage, dirt and debris on a regular basis. All paint and plastic components used will withstand cleaning by most commonly used, diluted, non-abrasive solutions such as quaternary ammonia compounds, ammonia enzyme cleaners, bleach, or alcohol solutions. It is recommended that any cleaning solution be tested on a small, inconspicuous area to ensure it does not harm the surface.

- Marks from permanent marker, dry-erase marker, and pens can be removed with 91% isopropyl alcohol and a soft cloth.
- Iodine stains can be removed with commonly used cleaners and a soft cloth.
- Do not use steel wool or other abrasive materials that may damage the surface finish.

 **WARNING:** To avoid risk of electric shock, do not expose electrical components to water, cleaning solutions or other potentially corrosive liquids or substances.

 **WARNING:** Do not immerse in liquid or allow liquids to flow inside. Wipe all cleaners off surface immediately using a damp cloth. Dry the surface thoroughly after cleaning.

 **WARNING:** Do not use flammable cleaners on surfaces.

 **CAUTION:** Adjustment, Service, Replacement - **DO NOT** attempt to adjust, service or replace any part unless directed to do so through Ergotron-approved documentation (i.e. installation instructions). Only Ergotron, Inc. or an Ergotron-certified entity may adjust, service or replace components. If any component is missing or damaged, this must not be used. Contact Ergotron immediately to request a replacement part.

Troubleshooting

How do I know if my devices will draw more than the allowed current?

Have a qualified electrician verify the unit's current draw. Perform this test with devices installed and batteries discharged.

The devices are all plugged in, but they won't charge. What do I do?

First, check the cabinet: With the switch in the down OFF position, inspect the main power cord and plug to make sure that they're undamaged. Plug the cord into a working power outlet. Next, check the devices: Verify that each device is connected to its power adapter and that each brick is plugged into the power column. Move the switch to the up ON position to direct power to the devices. Still need some help? Contact Customer Care for assistance.

Someone tried to break into the unit and damaged a door. Can it be replaced?

Yes, you can order a replacement. Contact Customer Care. We'll ask you for the model number of your unit and whether it's for the front or side of the unit.

My power cord/plug is damaged. Is it covered under warranty?

For warranty information visit: www.ergotron.com/warranty

When I plug in the unit it trips the circuit breaker. What is wrong?

The cabinets are designed to run on a 15 amp circuit. If you have other equipment or appliances plugged into the same circuit you may be overloading it. Have a qualified electrician check that adequate power is available in the circuit.

My unit was damaged during shipment. What should I do?

Please contact Customer Care and we'll work with you.

How do I find the unit's serial number?

The serial number label is located inside the IT area near the base.

Can I remove a bay divider?

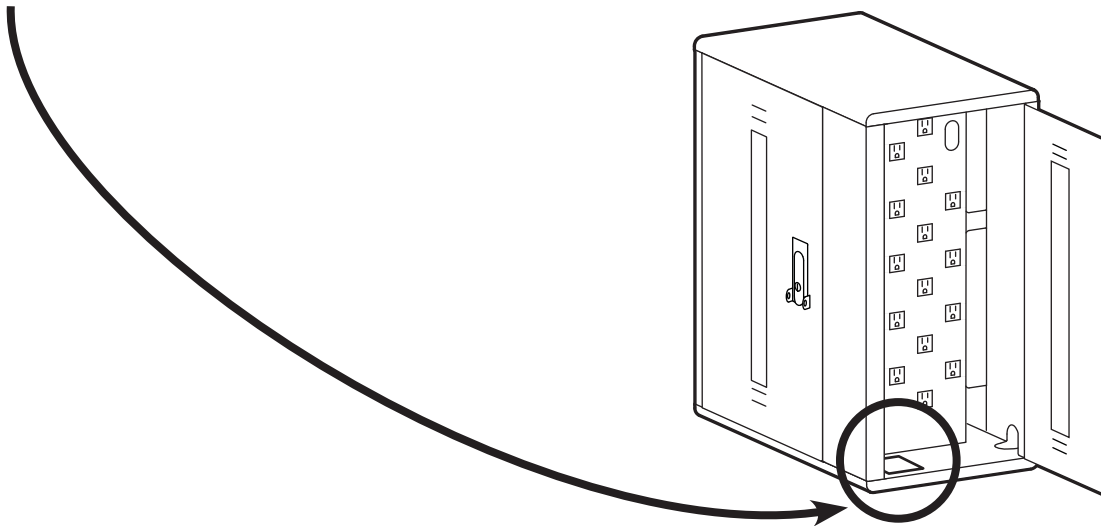
Yes! Locate the tab at the base of the front of the divider. Place a piece of masking tape on the shelf in front of the tab to protect the shelf's finish, then carefully and gently pry up the tab using a narrow flat-head screwdriver.

For Warranty visit: www.ergotron.com/warranty

For Service visit: www.ergotron.com

For local customer care phone numbers visit: <http://contact.ergotron.com>

NOTE: When contacting customer service, reference the serial number.



ergotron®

© 2019 Ergotron, Inc. All rights reserved.

www.ergotron.com | USA: 1-800-888-8458

While Ergotron, Inc. makes every effort to provide accurate and complete information on the installation and use of its products, it will not be held liable for any editorial errors or omissions (including those made in the process of translation from English to another language), or for incidental, special or consequential damages of any nature resulting from furnishing this instruction and performance of equipment in connection with this instruction. Ergotron, Inc. reserves the right to make changes in the product design and/or product documentation without notification to its users. For the most current product information, or to know if this document is available in languages other than those herein, please contact Ergotron. No part of this publication may be reproduced, stored in a retrieval system, or transmitted in any form or by any means, electronic, mechanical, photocopying, recording or otherwise without the prior written consent of Ergotron, Inc., 1181 Trapp Road, Eagan, Minnesota, 55121, USA Patents Pending and Patented U.S. & Foreign. Ergotron is a registered trademark of Ergotron, Inc.