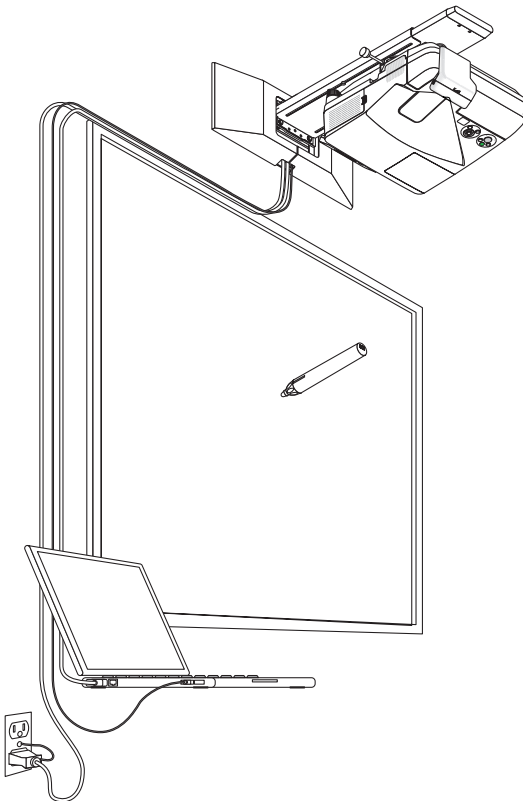


Interactive White Board Kit

# NP04Wi

## Installation Manual



English

Deutsch

Français

Italiano

Español

Português

Русский

Türkçe

Polski

한글

日本語

عربي



Interactive White Board Kit

# NP04Wi

---

## Installation Manual

### CONTENTS

Introduction .....	ENG-2
Read This Before Starting .....	ENG-4
Notes .....	ENG-5
Disposing of this product .....	ENG-5
Features .....	ENG-5
Packaged Items .....	ENG-6
Part Names .....	ENG-7
Setup Procedure .....	ENG-9
Troubleshooting .....	ENG-15
Specifications .....	ENG-15

# Introduction

---

Thank you very much for purchasing the NEC Interactive White Board (Model Name: NP04W). By connecting to an NEC projector to this product, the white board or wall can be used as your interactive white board.

The supplied stylus pen has a built-in super-capacitor charge storage. Charge the super-capacitor for 3 minutes before using the stylus pen for the first time.

This manual uses the example of connection with the UM351W.

The terms HDMI and HDMI High-Definition Multimedia Interface, and the HDMI Logo are trademarks or registered trademarks of HDMI Licensing LLC in the United States and other countries.

## Disposing of your used product



EU-wide legislation as implemented in each Member State requires that used electrical and electronic products carrying the mark (left) must be disposed of separately from normal household waste. When you dispose of such products, please follow the guidance of your local authority and/or ask the shop where you purchased the product.

After collecting the used products, they are reused and recycled in a proper way. This effort will help us reduce the wastes as well as the negative impact such as mercury contained in parts to the human health and the environment at the minimum level.

The mark on the electrical and electronic products only applies to the current European Union Member States.

## Cautions

- (1) Unauthorized reprinting of the contents of this manual is prohibited.
- (2) The contents of this manual are subject to change in the future without notice.
- (3) The contents of this manual have been prepared with scrupulous care, but please notify NEC should you have any doubts or notice any mistakes or omissions.
- (4) Please note that NEC will accept no responsibility whatsoever for claims for damages, lost earnings, etc., arising from the use of this product, regardless of article (3) above.
- (5) NEC will replace any manuals presenting incorrect collation or missing pages.

## DOC Compliance Notice (for Canada only)

This Class B digital apparatus complies with Canadian ICES-003.

## RF Interference (for USA only)

### WARNING

The Federal Communications Commission does not allow any modifications or changes to the unit EXCEPT those specified by NEC Display Solutions of America, Inc. in this manual. Failure to comply with this government regulation could void your right to operate this equipment. This equipment has been tested and found to comply with the limits for a Class B digital device, pursuant to Part 15 of the FCC Rules. These limits are designed to provide reasonable protection against harmful interference in a residential installation. This equipment generates, uses, and can radiate radio frequency energy and, if not installed and used in accordance with the instructions, may cause harmful interference to radio communications. However, there is no guarantee that interference will not occur in a particular installation.

If this equipment does cause harmful interference to radio or television reception, which can be determined by turning the equipment off and on, the user is encouraged to try to correct the interference by one or more of the following measures:

- Reorient or relocate the receiving antenna.
- Increase the separation between the equipment and receiver.
- Connect the equipment into an outlet on a circuit different from that to which the receiver is connected.
- Consult the dealer or an experienced radio / TV technician for help.

### WARNING TO CALIFORNIA RESIDENTS:

Handling the cables supplied with this product will expose you to lead, a chemical known to the State of California to cause birth defects or other reproductive harm. *WASH HANDS AFTER HANDLING.*

## DECLARATION OF CONFORMITY

This device complies with Part 15 of FCC Rules. Operation is subject to the following two conditions.

(1) This device may not cause harmful interference, and (2) this device must accept any interference received, including interference that may cause undesired operation.

<b>U.S. Responsible Party:</b>	<b>NEC Display Solutions of America, Inc.</b>
<b>Address:</b>	<b>500 Park Boulevard, Suite 1100</b>
	<b>Itasca, Illinois 60143-1248</b>
<b>Tel. No.:</b>	<b>(630) 467-3000</b>

Type of Product:	Interactive White Board Kit
Equipment Classification:	Class B Peripheral
Model No.:	NP04Wi



*We hereby declare that the equipment specified above conforms to the technical standards as specified in the FCC Rules.*

# Read This Before Starting

## About the pictograms

To ensure safe and proper use of the product, this installation manual uses a number of pictograms to prevent injury to you and others as well as damage to property.

The pictograms and their meanings are described below. Be sure to understand them thoroughly before reading this manual.



### WARNING

Failing to heed this pictogram and handling the product erroneously could result in accidents leading to death or major injury.




### CAUTION

Failing to heed this pictogram and handling the product erroneously could result in personal injury or damage to surrounding property.

## Examples of pictograms




The  symbol indicates instructions urging caution (including warnings). A concrete indication of the caution is given within the symbol.



The  symbol indicates prohibited actions. A concrete indication of the prohibited action is given within the symbol.



The  symbol indicates required actions. A concrete indication of the required action is given within the symbol.



## WARNING



- Set up this product on the projector before installing the projector on the ceiling or wall. If this product is set up after installing the projector on the ceiling or wall, the camera unit may not be fix on properly and it may cause of falling down and resulting in injury. At the same time, it may cause of damage on the camera unit.



- Make sure to fasten the screws after fixing on the camera unit. If the screws are not fastened securely, the camera unit may fall down and result in injury. At the same time, it may cause of damage on the camera unit.



- Do not hold the camera unit for moving the projector and do not apply excessive force to the camera unit. It may cause of damage on the camera unit and resulting in injury.



- Do not place this product in the following conditions:
  - near water, baths, or damp rooms.
  - in direct sunlight, near heaters, or heat radiating appliances.
  - in a dusty, smoky or steamy environment.
  - in high temperature place



- Do not disassemble or remodel the stylus pen. Do not give a shock to the stylus pen or bend it. It may cause of damage on the stylus pen and resulting in injury.

# Notes

---

- Use a flat and hard screen with a screen size of 100 inches or less.
- Some screen surfaces can be scratched by the stylus pen tip. Before using the stylus pen, test it in an inconspicuous part of the screen to be sure the pen tip will not damage the screen surface.
- Do not use the stylus pen in the below mentioned areas.  
It may cause of malfunction of the stylus pen.
  - In the area direct sunlight strikes the screen surface and the camera unit.
  - In the area light of halogen or filament lamps directly strikes the screen surface and the camera unit.
  - In the case, materials reflects light is used within the stylus pen operation area. (ex. screen frame)
- Do not use the stylus pen in the below mentioned environment. It may cause of malfunction of the stylus pen.
  - When the infrared remote is used.
- The guaranteed operation temperature range for the function of the stylus pen is 5° to 40°C (41° to 104°F).
- When mounting or removing the camera unit, do not remove any screws other than those specified.

## Disposing of this product

---

- When disposing of this product, contact your store of purchase or local government for instructions.

## Features

---

- Interactive electronic white board function  
By combination with drawing software, the white board or wall can be used as your interactive white board, and you can take handwritten notes or draw pictures on the screen with the supplied stylus pen.  
Moreover, by combination with the Touch Module (NP01TM sold separately), it enables to draw on the white board or wall by your finger.  
Supported projectors:
  - UM330X, UM280X, UM330W, UM280W
  - UM351W, UM301W, UM361X, UM301X
  - U321H\* Do not fix on this product other than the above listed supported projectors and the exclusive holder.
- One or more people can take notes or draw pictures with stylus pens at the same time  
Two stylus pens come standard with the product. The stylus pen is also available as an option (NP02Pi).  
Up to 10 stylus pens can be used at the same time on the product.  
However, this number will vary depending on drawing software you use.  
For using drawing software, refer to the user manual included with the drawing software.
- Auto Calibration function  
Position adjustment is easily done thanks to the auto calibration function.

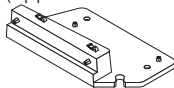
# Packaged Items

Make sure your box contains everything listed. If any pieces are missing, contact your dealer.

- Camera unit x 1



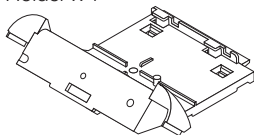
- Attachment x 1  
(Application model: U321H)



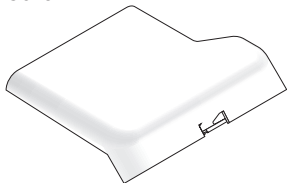
- Gasket x 1  
(Application model : U321H)



- Holder x 1

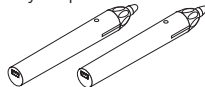


- Cover x 1

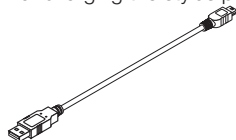


The holder and the cover are assembled.

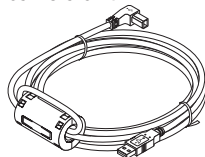
- Stylus pen x 2



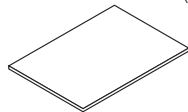
- USB cable x 1  
For charging the stylus pen



- USB cable (4.5 m/14.8 feet) x 1  
For connecting the computer with the camera unit



- Installation Manual (this document) x 1



- Screw (M3) x 4



## NOTE

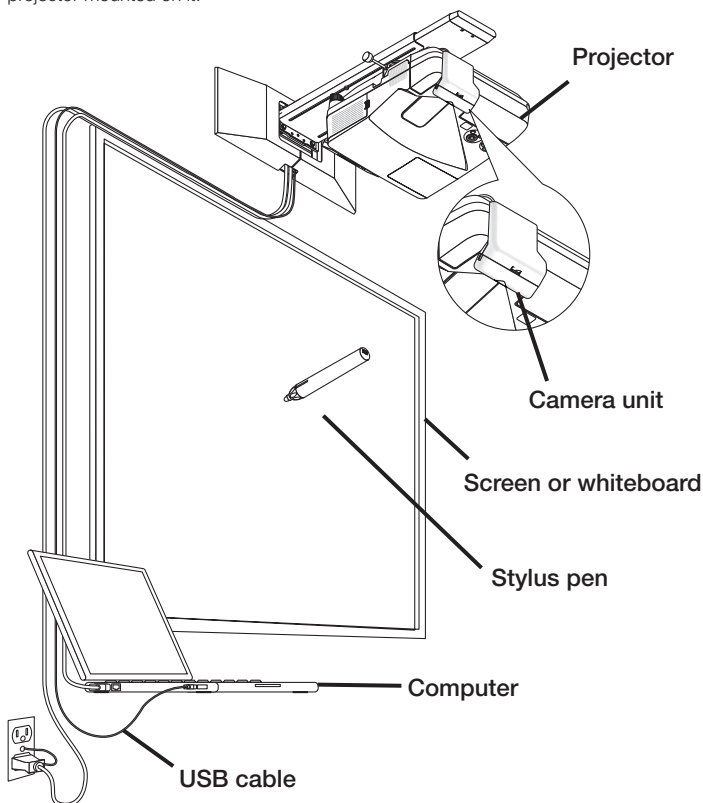
- Download the driver and the calibration software from our website to install them on the computer.  
URL: <http://www.nec-display.com/dl/en/index.html>
- Drawing software is required to use the interactive white board function.  
No drawing software is included with the product. Get commercially available drawing software.



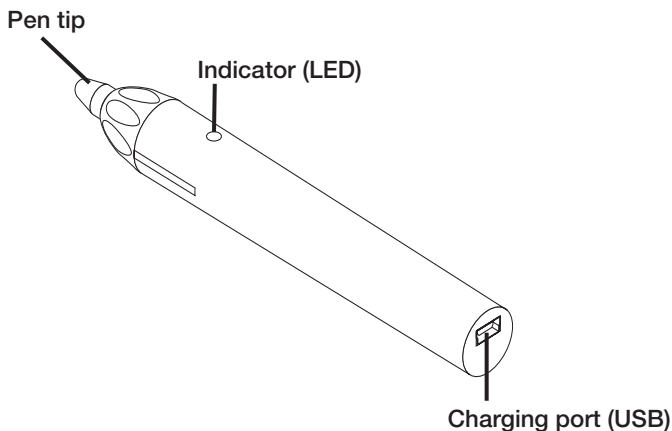
# Part Names

---

The drawing shows an example of the optional wall mount unit (Model name: NP04WK) with the projector mounted on it.

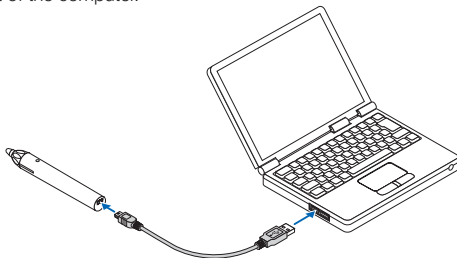


## Part names of the supplied stylus pen



## Charging the stylus pen

Use the supplied USB cable for charging the stylus pen to connect the charging port (USB) of the stylus pen with the USB port of the computer.



The stylus pen will start charging. Charging will complete in about 3 minutes.

- Pressing the pen tip against a screen or white board will turn the indicator LED to red, which indicates that charging is completed and you are ready to use the stylus pen. If the red LED turns off, charge the stylus pen.

## Cautions on using the stylus pen

- Do not damage the stylus pen by dropping it on the floor or mishandling it.
- Keep the stylus pen away from water and other liquids. If the stylus pen gets wet, wipe the stylus pen dry immediately.
- Avoid heat and humid when possible.

# Setup Procedure

## Setup Flow

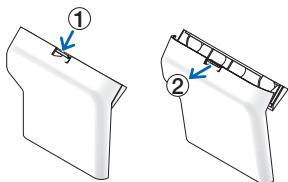
1. Connect the USB cable and the holder to the camera unit.
2. Fix the camera unit onto the projector.
  - \* Fixing procedure for U321H is differed from for other models.
3. Mount the cover on the holder.
4. Connect the projector with the computer.
5. Power on the projector and adjust the position and focus for projected image.
6. Connect the USB cable on which terminal has connected with the camera unit with the computer.
7. Install the driver and the calibration software on the computer and perform the calibration.

### Warning

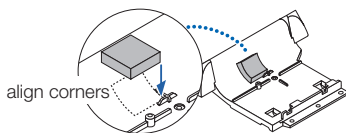
- Set up this product on the projector before installing the projector on the ceiling or wall. If this product is set up after installing the projector on the ceiling or wall, the camera unit may not be fixed properly and it may cause of falling down and resulting in injury. At the same time, it may cause of damage on the camera unit.
- Make sure to fasten the screws after fixing on the camera unit. If the screws are not fastened securely, the camera unit may fall down and result in injury. At the same time, it may cause of damage on the camera unit.
- Do not hold the camera unit for moving the projector and do not apply excessive force to the camera unit. It may cause of damage on the camera unit and resulting in injury.

### Preparation:

- Prepare a plus headed screw driver
- However the holder and the cover has been in engaged condition for shipment, remove the holder by pressing the button on the cover.



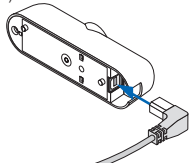
For fixing on U321H, you need to seal the gasket on the holder. Peel off the release paper on the rear face of the gasket, attach it to the arrow pointed position on the illustration.



## 1. Connect the USB cable and the holder to the camera unit.

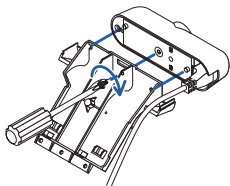
### ① Connect the USB cable and the holder to the camera unit.

Connect the L-shaped terminal of the supplied USB cable (4.5m/14.8ft) to the USB port (type B) on the camera unit.



### ② Fix the camera unit on the holder.

Engage two protrusions on the camera unit into the fixing holes on the holder and align the position of screw holes. Fix the camera unit by one screw.



## 2. Fix the camera unit onto the projector.

\* Fixing procedure for U321H is differed from for other models, UM351W, UM301W, UM361X, UM301X, UM330X, UM280X, UM330W and UM280W

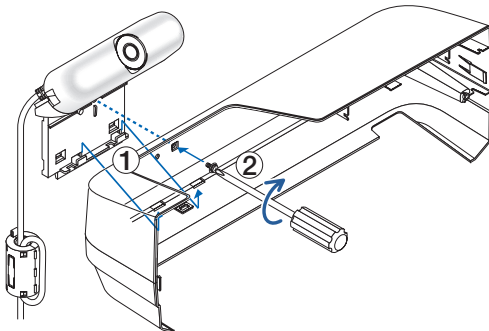
### For UM351W/UM301W/UM361X/UM301X/UM330X/UM280X/UM330W/UM280W

- Remove the cable cover if it is mounted on the projector. Please follow the instructions on the projector User's Manual for mounting/demounting the cable cover.
- Require one screw.

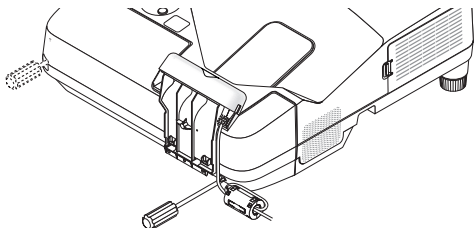
### ① Fix the camera unit on the cable cover.

From the external side of the cable cover, engage two protrusions on the holder into the fixing holes on the cable cover, then align the position of fixing holes.

Fasten these with a screw putting from the inside of the cable cover.



- ② Fix the cable cover on the projector.

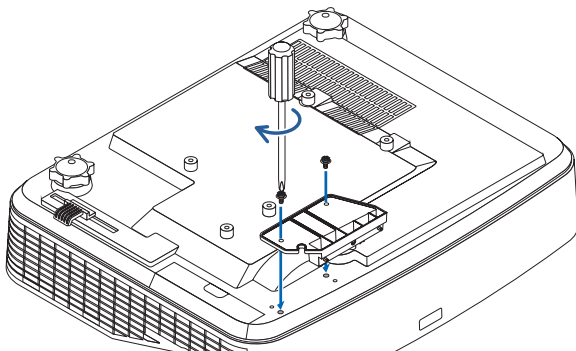


### For U321H

Require three screws and the attachment.

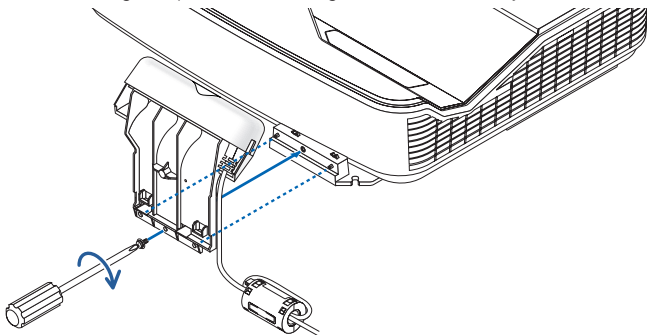
- ① Mount the attachment on the projector.

Put the projector bottom face up and push two protrusions on the attachment in the fixing holes on the projector, then align the position of the fixing holes. Fasten them by two screws.



- ② Fix the camera unit on the attachment.

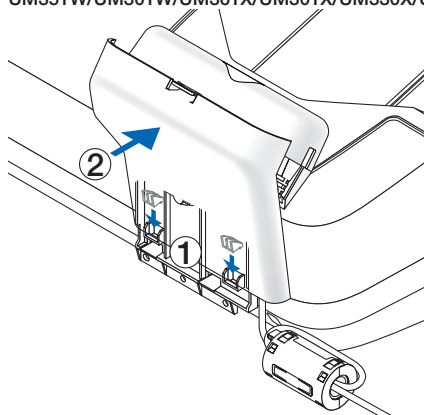
Put the projector facing up and engage two protrusions on the holder in the fixing holes on the holder, then align the position of the fixing holes. Fasten them by one screw.



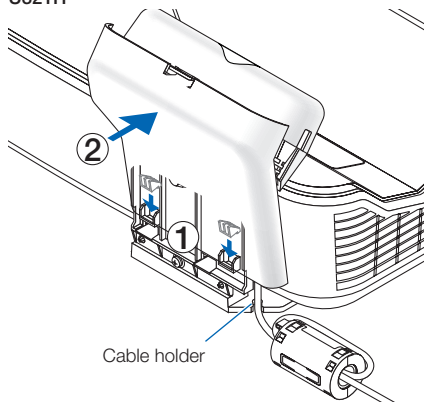
### 3. Mount the cover on the holder.

Push in the claws at the bottom of cover to the fixing holes on the holder until click sound is heard. Put the USB cable inside the cover. For U321H, put the USB cable through the notch as the cable holder.

UM351W/UM301W/UM361X/UM301X/UM330X/UM280X/ UM330W/UM280W

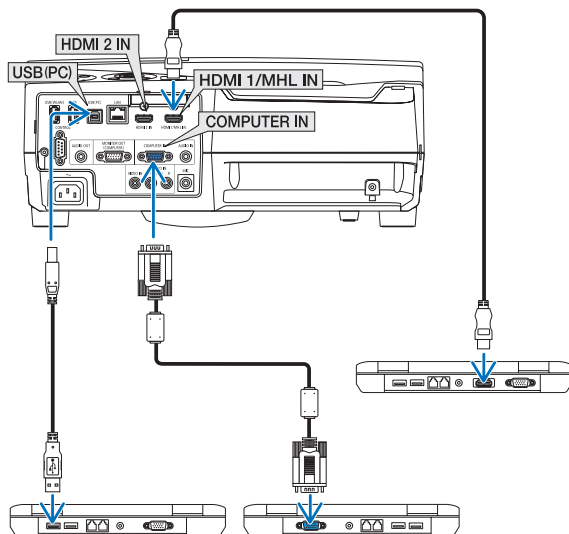


U321H



#### 4. Connect the projector to the computer.

The projector can be connected to a computer using the computer cable (supplied with the projector) or a commercially available HDMI cable.



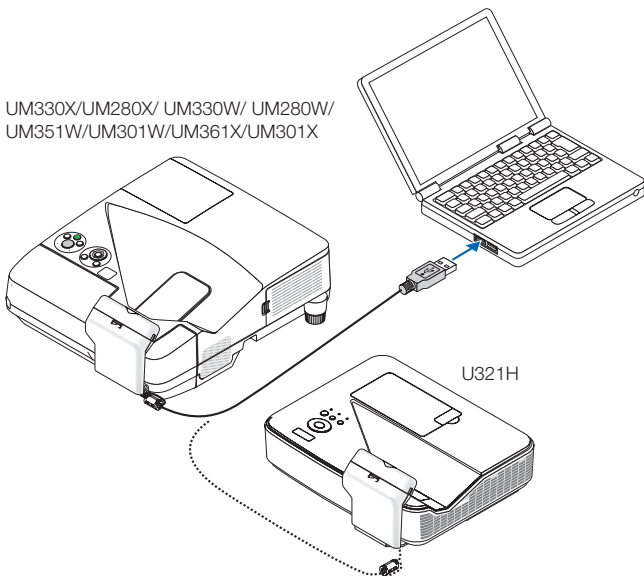
#### 5. Turn on the projector power and then adjust the position / focus of the projected image.

For the adjustment procedure, see the projector user's manual.

#### 6. Connect the computer and the camera unit with the included USB cable.

Connect the terminal of the USB cable (4.5 m/14.8 ft) whose another terminal has connected with the camera unit to the USB port (Type A) on the computer.

UM330X/UM280X/ UM330W/ UM280W/  
UM351W/UM301W/UM361X/UM301X



## 7. Install the driver and the calibration software on the computer and perform the calibration

Download the driver and the calibration software from our website and install them on the computer.  
URL: <http://www.nec-display.com/dl/en/index.html>

The The operation manual for installation and calibration is available in PDF (Portable Document Format).

To view or print the PDF files Adobe Reader™ is required.

If you cannot open a PDF file on your computer, obtain the current version of Adobe Reader for your OS from the home page of Adobe Systems and install it on your computer.

---

### NOTE

- Drawing software is required to use the interactive white board function.  
No drawing software is included with the product. Get commercially available drawing software.
-



# Troubleshooting

---

## Stylus pen does not work.

- Is the USB cable connected between the computer (type A USB port) and the camera unit (type B USB port)?
- Have the driver and the calibration software been installed on your computer?
- Are you using the stylus pen in one of the following environment?
  - If direct sunlight strikes the screen surface and/or camera unit, change the installation place where it is not exposed to direct sunlight.
  - If light of a halogen and/or a filament lamp strikes the screen surface and/or camera unit, change the installing direction of the screen and/or camera unit, or block off lamp light.
  - Do not use a screen whose material of frame reflects light.Influence of external light is described at the troubleshooting in the NP04Wi software guide. Refer to the software guide on the support page for our projectors uploaded in our web site and set them up in an appropriate place where does not get influence of light.
- Is the camera unit set to the correct position?
- Does the stylus pen have proper charge?
  - If pressing the pen tip will not turn LED to red, charge the stylus pen.
- Is the screen size and usage temperature within appropriate range?
  - Use a screen within the effective range.
  - Use the stylus pen within a temperature range of 5° to 40°C (41° to 104°F).
- Is the lens of the camera unit soiled?
  - If the lens is soiled, wipe it with a soft, dry, non-fluffy cloth.

## Lines traced with the stylus pen do not match screen.

- Has the sensor been properly calibrated?
- If performing the calibration automatically will not resolve the problem, try to perform the calibration manually.

# Specifications

---

## Camera unit

- Input terminal: USB Type B × 1
- Power consumption: 120 mA/5 V, 600 mW
- Weight: 70 g/2.5 oz
- External dimensions: 135 (W) × 32 (H) × 36 (D) mm/5.3" (W) × 1.3" (H) × 1.4" (D) (not including protrusions)
- Effective range: 60" to 100"
- Operating temperature and humidity: 5° to 40°C (41° to 104°F)/20% to 80% (non-condensing)
- Storage temperature and humidity: -10° to 50°C (14° to 122°F)/20% to 80% (non-condensing)

## Stylus pen

- Weight: 25 g/0.9 oz
- Power supply: Charging type (supercapacitor)
- Charging time: 3 minutes
- Estimated number of charging the battery: 100,000
- Operating time: about 2 hours
- Operating temperature and humidity: 5° to 40°C (41° to 104°F)/20% to 80% (non-condensing)
- Storage temperature and humidity: -10° to 50°C (14° to 122°F)/20% to 80% (non-condensing)



Interaktives Whiteboard-Set

# NP04Wi

---

## Installationshandbuch

### INHALT

Einführung .....	GER-2
Bitte vor Beginn lesen .....	GER-3
Hinweis .....	GER-4
Entsorgung dieses Produkts .....	GER-4
Merkmale .....	GER-4
Enthaltene Teile .....	GER-5
Teilebezeichnungen .....	GER-6
Verfahren zur Einrichtung .....	GER-8
Fehlerbehebung .....	GER-14
Technische Daten .....	GER-14

# Einführung

---

Vielen Dank für den Kauf der interaktiven Tafel von NEC (Modellname: NP04Wi).

Durch Anschluss eines NEC-Projektors an dieses Produkt kann die Tafel oder Wand als Ihre interaktive Tafel verwendet werden.

Der beiliegende Eingabestift verfügt über einen eingebauten super-Kondensator-Ladespeicher. Laden Sie den super-Kondensator für 3 Minuten auf, bevor Sie den Eingabestift zum ersten Mal verwenden.

In diesem Handbuch wird als Beispiel eine Verbindung mit dem UM351W verwendet.

Die Begriffe HDMI und HDMI High-Definition Multimedia Interface sowie das HDMI-Logo sind Warenzeichen oder eingetragene Warenzeichen der HDMI Licensing LLC in den Vereinigten Staaten und anderen Ländern.

## Entsorgung Ihres benutzten Gerätes



Die EU-weite Gesetzgebung, wie sie in jedem einzelnen Mitgliedstaat gilt, bestimmt, dass benutzte elektrische und elektronische Geräte mit dieser Markierung (links) getrennt vom normalen Haushaltsabfall entsorgt werden müssen.

Folgen Sie beim Entsorgen eines solchen Gerätes bitte den Anweisungen Ihrer örtlichen Behörde und/oder konsultieren Sie den Händler, bei dem Sie das Gerät erworben haben.

Nach der Sammlung benutzter Geräte werden diese erneut verwendet und entsprechend den Umweltbestimmungen recycelt. Das trägt dazu bei, die Abfallmenge zu reduzieren sowie die negativen Auswirkungen beispielsweise von in Teilen des Geräts enthaltenem Quecksilber auf die Gesundheit und die Umwelt möglichst gering zu halten.

Die Markierung auf elektrischen und elektronischen Geräten gilt nur für die gegenwärtigen Mitgliedstaaten der Europäischen Union.

## Vorsichtsmaßnahmen

- (1) Eine unerlaubte Vervielfältigung des Inhalts dieses Handbuchs ist untersagt.
- (2) Der Inhalt dieses Handbuchs kann ohne Ankündigung geändert werden.
- (3) Der Inhalt dieses Handbuchs wurde mit großer Sorgfalt zusammengestellt. Informieren Sie jedoch bitte NEC, sollten Sie Zweifel haben oder Fehler oder Auslassungen bemerken.
- (4) Bitte beachten Sie, dass NEC keine Verantwortung für Schäden, Umsatzverluste usw. übernimmt, die aufgrund der Verwendung dieses Produkts entstehen, unabhängig von Artikel (3) oben.
- (5) NEC wird alle Handbücher ersetzen, die eine fehlerhafte Kollation oder fehlende Seiten aufweisen.

# Bitte vor Beginn lesen

## Über die Piktogramme

Um einen sicheren und ordnungsgemäßen Betrieb des Produkts zu gewährleisten, werden in diesem Handbuch verschiedene Piktogramme verwendet, die bei der Vermeidung von Verletzungen für Sie oder Dritte sowie von Sachschäden helfen sollen.

Die Piktogramme und ihre Bedeutungen werden unten beschrieben. Stellen Sie sicher, dass Sie sie vollständig verstehen, bevor Sie dieses Handbuch lesen.



### WARNUNG

Die Nichtbeachtung dieses Piktogramms und eine unsachgemäße Handhabung des Produkts können zu Unfällen und schweren Verletzungen oder zum Tod führen.




### VORSICHT

Die Nichtbeachtung dieses Piktogramms und eine unsachgemäße Handhabung des Produkts können zu Verletzungen oder Sachschäden in der Umgebung führen.

## Beispiele für Piktogramme



Das -Symbol zeigt Anweisungen an, die zu erhöhter Vorsicht mahnen (einschließlich Warnungen).

Ein konkreter Hinweis auf die nötige Vorsichtsmaßnahme wird in dem Symbol gegeben.



Das -Symbol weist auf untersagte Vorgehensweisen hin.

Ein konkreter Hinweis auf die untersagte Handlung wird in dem Symbol gegeben.



Das -Symbol weist auf notwendige Tätigkeiten hin.

Ein konkreter Hinweis auf die notwendige Tätigkeit wird in dem Symbol gegeben.



## WARNUNG

- Bringen Sie dieses Produkt am Projektor an, bevor Sie den Projektor an der Decke oder Wand aufhängen.



Wenn dieses Produkt am Projektor angebracht wird, nachdem er an der Decke oder Wand aufgehängt worden ist, wird die Kameraeinheit möglicherweise nicht richtig befestigt und kann herunterfallen, was zu Verletzungen führen kann. Gleichzeitig kann die Kameraeinheit beschädigt werden.



- Achten Sie darauf, die Schrauben festzuziehen, nachdem Sie die Kameraeinheit befestigt haben. Wenn die Schrauben nicht sicher befestigt sind, kann die Kameraeinheit herunterfallen und Verletzungen verursachen. Gleichzeitig kann die Kameraeinheit beschädigt werden.



- Halten Sie den Projektor nicht an der Kameraeinheit fest, wenn Sie ihn tragen, und üben Sie keine übermäßige Kraft auf die Kameraeinheit aus. Das kann zu Schäden an der Kameraeinheit und zu Verletzungen führen.



- Stellen Sie dieses Produkt nicht unter folgenden Umständen auf:
  - in der Nähe von Wasser, Badezimmern oder feuchten Räumen.
  - in direktem Sonnenlicht, in der Nähe von Heizgeräten oder Heizstrahlern.
  - in einer staubigen, verrauchten oder dampfigen Umgebung.
  - an Orten mit hoher Temperatur



- Bauen Sie den Eingestift nicht auseinander und modifizieren Sie ihn nicht. Setzen Sie den Eingestift keinen Stößen aus und verbiegen Sie ihn nicht. Das kann den Eingestift beschädigen und zu Verletzungen führen.

# Hinweis

---

- Verwenden Sie eine ebene und feste Projektionsfläche mit einer Bildschirmgröße von 100 Zoll oder weniger.
- Manche Bildschirmoberflächen können von der Spitze des Eingabestifts verkratzt werden. Bevor Sie den Eingabestift verwenden, testen Sie ihn an einer unauffälligen Stelle des Bildschirms, um sicherzustellen, dass die Spitze nicht die Bildschirmoberfläche beschädigt.
- Verwenden Sie den Eingabestift nicht in den unten genannten Bereichen.  
Dies könnte zu Fehlfunktionen des Eingabestifts führen.
  - In einem Bereich, in dem direktes Sonnenlicht auf die Bildschirmoberfläche und die Kameraeinheit trifft.
  - In einem Bereich, in dem das Licht von Halogen- oder Glühlampen direkt auf die Bildschirmoberfläche und die Kameraeinheit trifft.
  - In dem Fall, dass lichtreflektierende Materialien im Anwendungsbereich des Eingabestifts verwendet werden. (z. B. Bildschirmrahmen)
- Verwenden Sie den Eingabestift nicht in der unten genannten Umgebung. Dies könnte zu Fehlfunktionen des Eingabestifts führen.
  - Bei Benutzung der Infrarot-Fernbedienung.
- Der garantierte Betriebstemperaturbereich für die Funktion des Eingabestifts liegt zwischen 5 °C und 40 °C.
- Entfernen Sie bei der Montage oder Demontage der Kameraeinheit keine anderen Schrauben als die angegebenen.

# Entsorgung dieses Produkts

---

- Für Anweisungen zur Entsorgung dieses Produkts wenden Sie sich an Ihren Händler oder die örtlichen Behörden.

# Merkmale

---

- Interaktive elektronische Whiteboard-Funktion  
Durch Kombination mit Zeichensoftware kann das Whiteboard oder die Wand als interaktives Whiteboard verwendet werden, und Sie können mit dem beiliegenden Eingabestift auf dem Bildschirm handschriftliche Notizen machen oder Bilder zeichnen.  
Darüber hinaus können Sie durch Kombination mit dem Touch-Modul (NP01TM, getrennt erhältlich) mit Ihrem Finger auf dem Whiteboard oder der Wand zeichnen.  
Unterstützte Projektoren:
  - UM330X, UM280X, UM330W, UM280W
  - UM351W, UM301W, UM361X, UM301X
  - U321H\* Befestigen Sie keine anderen Projektoren mit ihrem exklusiven Halter als die oben aufgeführten an diesem Produkt.
- Eine oder mehrere Personen können mit Eingabestiften gleichzeitig Notizen machen oder Bilder zeichnen  
Zwei Eingabestifte werden standardgemäß mit dem Produkt geliefert. Der Eingabestift ist ebenfalls optional erhältlich (NP02P1).  
Bis zu 10 Eingabestifte können gleichzeitig mit dem Produkt verwendet werden.  
Diese Anzahl kann jedoch abhängig von der von Ihnen verwendeten Zeichen-Software variieren.  
Für die Verwendung der Zeichen-Software, lesen Sie bitte das Benutzerhandbuch, das der Zeichen-Software beiliegt.
- Automatische Kalibrierungsfunktion  
Die Positionsanpassung ist dank der automatischen Kalibrierungsfunktion einfach durchführbar.

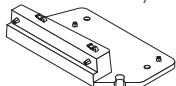
# Enthaltene Teile

Vergewissern Sie sich, dass Ihr Karton alle aufgeführten Teile enthält. Sollte irgendein Teil fehlen, wenden Sie sich bitte an Ihren Händler.

- Kameraeinheit x 1



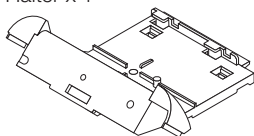
- Aufnahmevorrichtung x 1 (Anwendungsmodell: U321H)



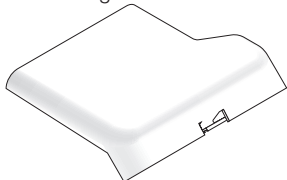
- Dichtung x 1 (Anwendungsmodell: U321H)



- Halter x 1

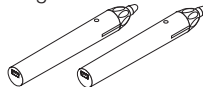


- Abdeckung x 1

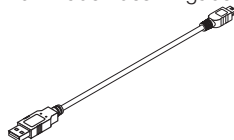


Der Halter und die Abdeckung werden zusammengebaut.

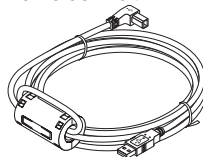
- Eingabestift x 2



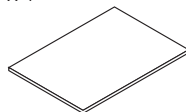
- USB-Kabel x 1  
Zum Laden des Eingabestifts



- USB-Kabel (4,5 m) x 1  
Zur Verbindung des Computers mit der Kameraeinheit



- Installationshandbuch (dieses Dokument) x 1



- Schraube (M3) x 4

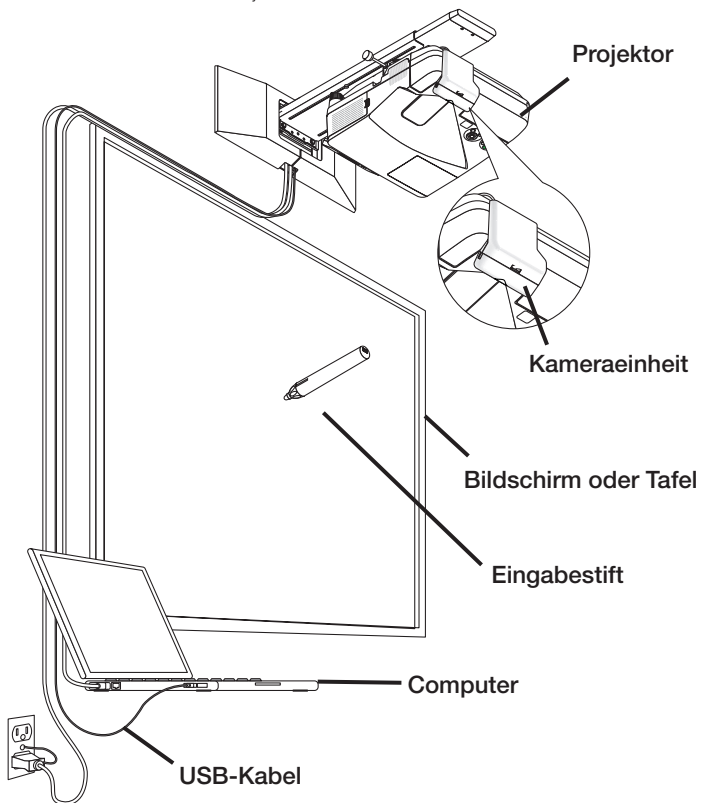


## HINWEIS

- Laden Sie den Treiber und die Kalibrierungs-Software von unserer Webseite herunter, um sie auf dem Computer zu installieren.  
URL: <http://www.nec-display.com/dl/en/index.html>
- Eine Zeichen-Software ist erforderlich, um die interaktive Tafelfunktion zu nutzen.  
Dem Produkt liegt keine Zeichen-Software bei. Besorgen Sie eine im Handel erhältliche Zeichen-Software.

# Teilebezeichnungen

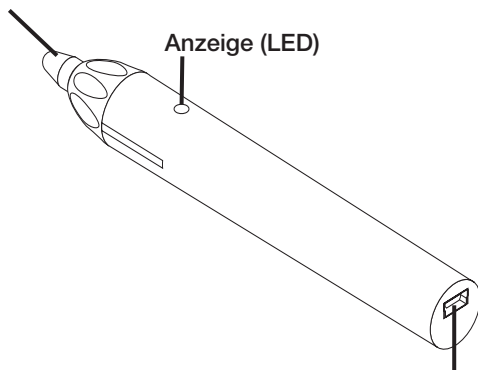
Die Abbildung zeigt ein Beispiel der optionalen Wandmontageeinheit (Modellname: NP04WK) mit dem darauf montierten Projektor.





## Teilebezeichnungen des beiliegenden Eingabestifts

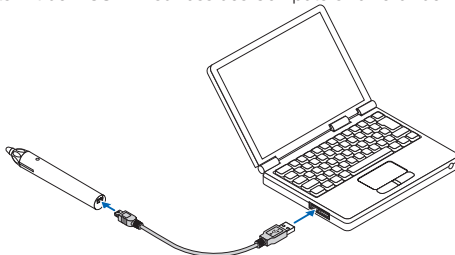
Stiftspitze



Ladeanschluss (USB)

## Zum Aufladen des Eingabestifts

Verwenden Sie das beiliegende USB-Kabel zum Aufladen des Eingabestifts, um den Ladeanschluss (USB) des Eingabestifts mit dem USB-Anschluss des Computers zu verbinden.



Der Eingabestift beginnt sich aufzuladen. Der Ladevorgang ist in etwa 3 Minuten abgeschlossen.

- Durch Drücken der Stiftspitze gegen einen Bildschirm oder eine Tafel wird die LED rot erleuchtet, was anzeigt, dass das Aufladen beendet ist und Sie den Eingabestift verwenden können. Wenn die rote LED erlischt, laden Sie den Eingabestift auf.

## Vorsichtsmaßnahmen bei der Verwendung des Eingabestifts

- Beschädigen Sie den Eingabestift nicht, indem Sie ihn zu Boden fallen lassen oder falsch verwenden.
- Halten Sie den Eingabestift von Wasser und anderen Flüssigkeiten fern. Wenn der Eingabestift nass wird, wischen Sie den Eingabestift sofort trocken.
- Vermeiden Sie Hitze und Feuchtigkeit, wenn möglich.

# Verfahren zur Einrichtung

## Ablauf der Einrichtung

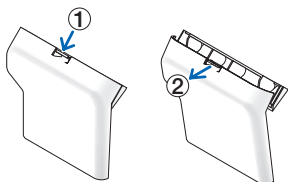
1. Verbinden Sie das USB-Kabel und die Halterung mit der Kameraeinheit.
2. Befestigen Sie die Kameraeinheit am Projektor.  
\* Das Befestigungsverfahren für U321H weicht von dem für die anderen Modelle ab.
3. Befestigen Sie die Abdeckung an der Halterung.
4. Verbinden Sie den Projektor mit dem Computer.
5. Schalten Sie den Projektor ein und stellen Sie die Bildlage und Schärfe für das projizierte Bild ein.
6. Schließen Sie das USB-Kabel, das mit der Kameraeinheit verbunden ist, an den Computer an.
7. Installieren Sie den Treiber und die Kalibriersoftware auf dem Computer und führen Sie die Kalibrierung durch.

## **Warnung**

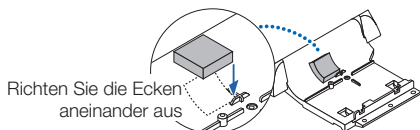
- Bringen Sie dieses Produkt am Projektor an, bevor Sie den Projektor an der Decke oder Wand aufhängen. Wenn dieses Produkt am Projektor angebracht wird, nachdem er an der Decke oder Wand aufgehängt worden ist, wird die Kameraeinheit möglicherweise nicht richtig befestigt und kann herunterfallen, was zu Verletzungen führen kann. Gleichzeitig kann die Kameraeinheit beschädigt werden.
- Achten Sie darauf, die Schrauben festzuziehen, nachdem Sie die Kameraeinheit befestigt haben. Wenn die Schrauben nicht sicher befestigt sind, kann die Kameraeinheit herunterfallen und Verletzungen verursachen. Gleichzeitig kann die Kameraeinheit beschädigt werden.
- Halten Sie den Projektor nicht an der Kameraeinheit fest, wenn Sie ihn tragen, und üben Sie keine übermäßige Kraft auf die Kameraeinheit aus. Das kann zu Schäden an der Kameraeinheit und zu Verletzungen führen.

### Vorbereitung:

- Legen Sie einen Kreuzschlitz-Schraubenzieher bereit
- Da sich allerdings die Halterung und die Abdeckung in Transportstellung befinden, nehmen Sie die Halterung durch Drücken des Knopfes auf der Abdeckung ab.



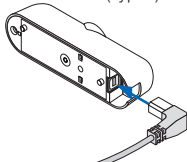
Für die Befestigung am U321H müssen Sie die Dichtung an der Halterung anbringen. Ziehen Sie das Schutzpapier auf der Rückseite der Dichtung ab und bringen Sie diese an der auf der Abbildung durch den Pfeil angezeigten Stelle an.



## 1. Verbinden Sie das USB-Kabel und die Halterung mit der Kameraeinheit.

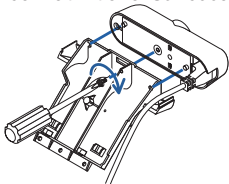
### ① Verbinden Sie das USB-Kabel und die Halterung mit der Kameraeinheit.

Verbinden Sie den L-förmigen Stecker des mitgelieferten USB-Kabels (4,5 m/14,8 ft) mit der USB-Buchse (Typ B) an der Kameraeinheit.



### ② Befestigen Sie die Kameraeinheit an der Halterung.

Führen Sie die beiden Vorsprünge an der Kameraeinheit in die Befestigungslöcher an der Halterung ein und richten Sie die Position der Schraubenlöcher aus. Befestigen Sie die Kameraeinheit mit einer Schraube.



## 2. Befestigen Sie die Kameraeinheit am Projektor.

\* Das Befestigungsverfahren für den U321H unterscheidet sich von dem für die anderen Modelle UM351W, UM301W, UM361X, UM301X, UM330X, UM280X, UM330W und UM280W.

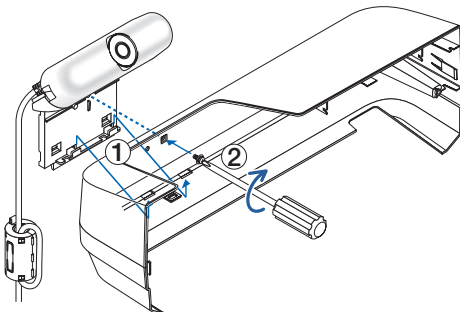
**Für UM351W/UM301W/UM361X/UM301X/UM330X/UM280X/UM330W/UM280W**

- Entfernen Sie die Kabelabdeckung, wenn sie am Projektor angebracht ist. Befolgen Sie die Anweisungen in der Bedienungsanleitung des Projektors für die Montage/Demontage der Kabelabdeckung.
- Eine Schraube erforderlich.

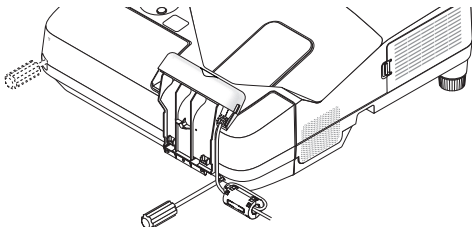
### ① Befestigen Sie die Kameraeinheit an der Kabelabdeckung.

Führen Sie von der Außenseite der Kabelabdeckung zwei Vorsprünge an der Halterung in die Befestigungslöcher an der Kabelabdeckung ein, richten Sie anschließend die Position der Befestigungslöcher aus.

Befestigen Sie diese mit einer Schraube von der Innenseite der Kabelabdeckung.



- ② Befestigen Sie die Kabelabdeckung am Projektor.

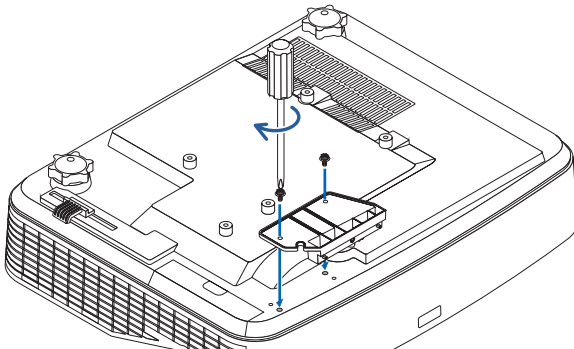


### Für U321H

Drei Schrauben und die Aufnahmevorrichtung erforderlich.

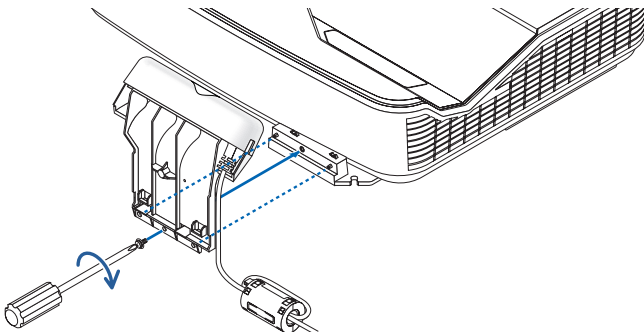
- ① Montieren Sie die Aufnahmevorrichtung am Projektor.

Stellen Sie den Projektor mit der Unterseite nach oben und schieben Sie die beiden Vorsprünge an der Aufnahmevorrichtung in die Befestigungslöcher am Projektor, richten Sie anschließend die Position der Befestigungslöcher aus. Befestigen Sie sie mit zwei Schrauben.



- ② Befestigen Sie die Kameraeinheit an der Aufnahmevorrichtung.

Stellen Sie den Projektor aufrecht und führen Sie die beiden Vorsprünge an der Aufnahmevorrichtung in die Befestigungslöcher an der Halterung ein, richten Sie anschließend die Position der Befestigungslöcher aus. Befestigen Sie sie mit einer Schraube.

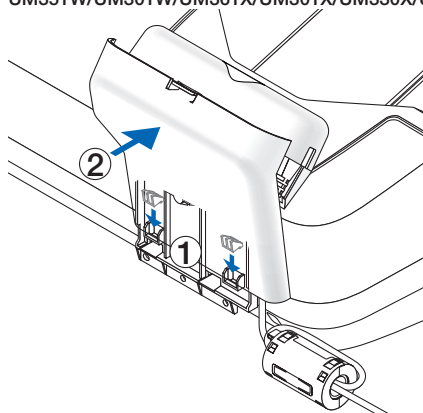


### 3. Befestigen Sie die Abdeckung an der Halterung.

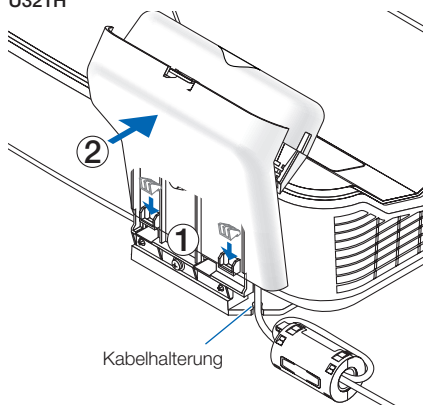
Drücken Sie die Klauen an der Unterseite der Abdeckung in die Befestigungslöcher an der Halterung, bis ein Klickgeräusch zu hören ist.

Legen Sie das USB-Kabel in die Abdeckung. Beim U321H legen Sie das USB-Kabel durch die Kerbe als Kabelhalterung.

UM351W/UM301W/UM361X/UM301X/UM330X/UM280X/ UM330W/UM280W

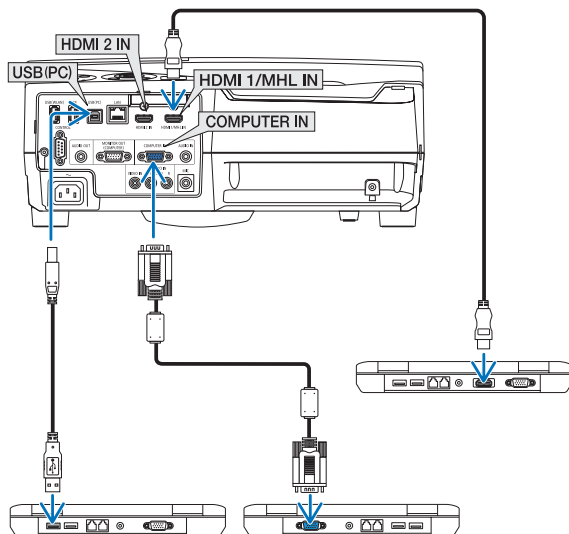


U321H



#### 4. Verbinden Sie den Projektor mit dem Computer.

Der Projektor kann mit einem Computer über das Computerkabel (im Lieferumfang des Projektors enthalten) oder mit einem im Handel erhältlichen HDMI-Kabel verbunden werden.



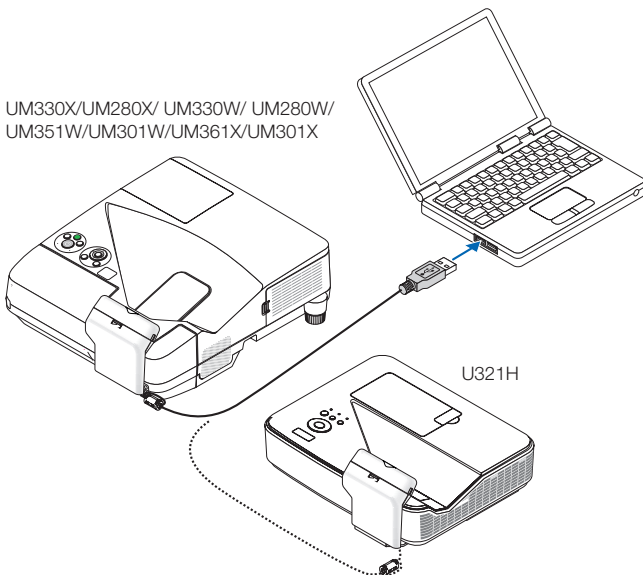
#### 5. Schalten Sie die Stromversorgung des Projektors ein und stellen Sie die Position/Schärfe des projizierten Bildes ein.

Lesen Sie zum Einstellungsverfahren bitte das Benutzerhandbuch des Projektors.

#### 6. Verbinden Sie den Computer und die Kamera mit dem mitgelieferten USB-Kabel.

Verbinden Sie den Stecker des USB-Kabels (4,5 m/14,8 ft), dessen anderer Stecker mit der Kamera verbunden ist, mit der USB-Buchse (Typ A) am Computer.

UM330X/UM280X/ UM330W/ UM280W/  
UM351W/UM301W/UM361X/UM301X



## 7. Installieren Sie den Treiber und die Kalibriersoftware auf dem Computer und führen Sie die Kalibrierung durch.

Laden Sie den Treiber und die Kalibriersoftware von unserer Website herunter und installieren Sie sie auf dem Computer.

URL: <http://www.nec-display.com/dl/en/index.html>

Das Bedienungshandbuch für die Installation und Kalibrierung ist als PDF (Portable Document Format) verfügbar.

Zum Anzeigen oder Ausdrucken von PDF-Dateien wird der Adobe Reader™ benötigt.

Wenn Sie eine PDF-Datei nicht auf Ihrem Computer öffnen können, besorgen Sie sich die aktuelle Version des Adobe Readers für Ihr Betriebssystem auf der Homepage von Adobe Systems und installieren Sie sie auf Ihrem Computer.

---

### HINWEIS

- Eine Zeichen-Software ist erforderlich, um die interaktive Tafelfunktion zu nutzen. Dem Produkt liegt keine Zeichen-Software bei. Besorgen Sie eine im Handel erhältliche Zeichen-Software.
-

# Fehlerbehebung

---

## Der Eingabestift funktioniert nicht.

- Ist das USB-Kabel zwischen dem Computer (Typ A USB-Anschluss) und der Kameraeinheit (Typ B USB-Anschluss) angeschlossen?
  - Sind der Treiber und die Kalibrierungs-Software auf Ihrem Computer installiert?
  - Verwenden Sie den Eingabestift in einer der folgenden Umgebungen?
    - Falls direktes Sonnenlicht auf die Bildschirmoberfläche und/oder die Kameraeinheit fällt, verlegen Sie die Installation an eine Stelle, an der sie dem direkten Sonnenlicht nicht mehr ausgesetzt ist.
    - Wenn das Licht einer Halogen- oder Glühlampe auf die Bildschirmoberfläche und/oder die Kameraeinheit trifft, ändern Sie die Ausrichtung des Bildschirms und/oder der Kameraeinheit oder schirmen Sie das Licht der Lampe ab.
    - Verwenden Sie keinen Bildschirm, bei dem das Material des Rahmens das Licht reflektiert.
- Der Einfluss von äußeren Lichtquellen wird in der Fehlersuche der Softwareanleitung der NP04Wi beschrieben. Beachten Sie die Softwareanleitung auf der Hilfeseite zu unseren Projektoren, welche auf unserer Webseite zu finden ist, und installieren Sie die Geräte so, dass sie nicht durch Licht beeinflusst werden.
- Ist die Kameraeinheit auf die korrekte Position eingestellt?
  - Ist der Eingabestift ausreichend aufgeladen?
    - Wenn durch Drücken der Stiftspitze die LED nicht rot leuchtet, laden Sie den Eingabestift auf.
  - Sind die Bildschirmgröße und Betriebstemperatur im Sollbereich?
    - Verwenden Sie einen Bildschirm innerhalb des effektiven Bereichs.
    - Verwenden Sie den Eingabestift in einem Temperaturbereich von 5 °C bis 40 °C.
  - Ist das Objektiv der Kamera verschmutzt?
    - Wenn das Objektiv verschmutzt ist, wischen Sie es mit einem weichen, trockenen, fusselfreien Tuch sauber.

## Mit dem Eingabestift gezogene Linien stimmen nicht mit dem Bildschirm überein.

- Ist der Sensor ordnungsgemäß kalibriert?
- Wenn die automatische Kalibrierung das Problem nicht löst, versuchen Sie die Kalibrierung manuell durchzuführen.

# Technische Daten

---

## Kameraeinheit

- Eingangsanschluss: USB Typ B × 1
- Stromverbrauch: 120 mA/5 V, 600 mW
- Gewicht: 70 g
- Außenabmessungen: 135 (B) × 32 (H) × 36 (T) mm (ohne Überstände)
- Effektiver Bereich: 60" bis 100"
- Betriebstemperatur und Luftfeuchtigkeit: 5 °C bis 40 °C/20% bis 80% (nicht kondensierend)
- Lagertemperatur und Luftfeuchtigkeit: – 10 °C bis 50 °C/20% bis 80% (nicht kondensierend)

## Eingabestift

- Gewicht: 25 g
- Stromversorgung: Ladetyp (super-Kondensator)
- Aufladezeit: 3 Minuten
- Geschätzte Anzahl der möglichen Ladevorgänge der Batterie: 100.000
- Betriebsdauer: ca. 2 Stunden
- Betriebstemperatur und Luftfeuchtigkeit: 5 °C bis 40 °C/20% bis 80% (nicht kondensierend)
- Lagertemperatur und Luftfeuchtigkeit: – 10 °C bis 50 °C/20% bis 80% (nicht kondensierend)



Ensemble tableau blanc interactif

# NP04Wi

---

## Guide d'installation

### TABLE DES MATIÈRES

Introduction .....	FRE-2
À lire avant de commencer .....	FRE-3
Remarque .....	FRE-4
La mise au rebut de ce produit .....	FRE-4
Fonctionnalités .....	FRE-4
Éléments fournis .....	FRE-5
Noms des pièces .....	FRE-6
Procédure de configuration .....	FRE-8
Résolution des problèmes .....	FRE-14
Spécifications .....	FRE-14

# Introduction

---

Nous vous remercions d'avoir acheté le tableau blanc interactif NEC (nom du modèle : NP04W). En vous connectant à un projecteur NEC pour ce produit, le fond blanc ou le mur peuvent être utilisés comme un tableau blanc interactif.

Le stylet fourni est doté d'un super-condensateur à charge de stockage élevée. Chargez le super-condensateur pendant 3 minutes avant d'utiliser le stylet pour la première fois.

Ce manuel utilise l'exemple de connexion avec l'UM351W.

Les termes HDMI et HDMI High-Definition Multimedia Interface, et le logo HDMI sont des marques commerciales ou des marques déposées de HDMI Licensing LLC aux États-Unis et dans d'autres pays.

## Mise au rebut du produit usagé



La législation européenne, appliquée dans tous les États membres, exige que les produits électriques et électroniques portant la marque (à gauche) doivent être mis au rebut séparément des ordures ménagères. Lorsque vous mettez au rebut ces produits, veuillez suivre les recommandations des autorités locales et/ou demandez conseil au magasin qui vous a vendu le produit.

Une fois ces produits mis au rebut, ils sont réutilisés et recyclés de manière appropriée. Cet effort nous aidera à réduire les déchets et leurs conséquences négatives sur la santé humaine et sur l'environnement à leur niveau le plus bas, comme par exemple le mercure contenu dans certains éléments.

La marque figurant sur les produits électriques et électroniques ne s'applique qu'aux États membres actuels de l'Union Européenne.

## DOC Avis de conformation (pour le Canada uniquement)

Cet appareil numérique de la classe B est conforme à la norme NMB-003 du Canada.

### Mises en garde

- (1) La réimpression non autorisée du contenu de ce manuel est interdite.
- (2) Le contenu de ce manuel est sujet à modifications sans préavis.
- (3) Le contenu de ce manuel a été préparé avec le plus grand soin. Veuillez toutefois notifier à NEC les erreurs et omissions que vous pourriez avoir constaté, ainsi que les doutes que vous pourriez avoir.
- (4) Veuillez noter que NEC décline toute responsabilité, qu'il s'agisse d'une plainte pour dommages, pertes de revenus, etc., qui pourrait découler de l'utilisation de ce produit, indépendamment de l'article (3) ci-dessus.
- (5) NEC remplacera tout manuel présentant un défaut de collage ou de pages manquantes.

# À lire avant de commencer

## Au sujet des pictogrammes

Afin de garantir une utilisation correcte et sans risque, ce guide d'installation utilise un certain nombre de pictogrammes, conçus pour prévenir les risques de blessures à vous-même et aux tiers, ainsi que les risques de dommages aux biens.

Les pictogrammes et leur signification sont présentés ci-dessous. Assurez-vous de bien les comprendre avant de poursuivre la lecture de ce manuel.



### AVERTISSEMENT

Faute de tenir compte de ce pictogramme et d'utiliser le produit correctement, des accidents peuvent se produire, susceptibles de provoquer la mort ou des blessures graves.




### MISE EN GARDE

Faute de tenir compte de ce pictogramme et d'utiliser le produit correctement, des blessures ou des dommages aux biens peuvent se produire.

## Exemples de pictogrammes



Le symbole  indique les points nécessitant une vigilance particulière (incluant les avertissements).

Une indication concrète de la mise en garde est donnée à l'intérieur du symbole.



Le symbole  indique les actions interdites.

Une indication concrète de l'action interdite est donnée à l'intérieur du symbole.



Le symbole  indique les actions requises.

Une indication concrète de l'action requise est donnée à l'intérieur du symbole.



## AVERTISSEMENT



• Installer ce produit sur le projecteur avant d'installer le projecteur au plafond ou au mur. Si ce produit est installé après l'installation du projecteur au plafond ou au mur, l'unité caméra risque de ne pas être fixée correctement et elle risque de tomber et de provoquer des blessures. En même temps, des dommages sur l'unité caméra peuvent être causés.



• Veillez à serrer les vis après avoir fixé l'unité caméra. Si les vis ne sont pas serrées correctement, l'unité caméra risque de tomber et de blesser quelqu'un. En même temps, cela peut provoquer des dommages sur l'unité caméra.



• Ne tenez pas l'unité caméra pour déplacer le projecteur et n'appliquez pas de force excessive sur l'unité caméra. Ceci peut causer des dommages à l'unité caméra et provoquer des blessures.



• Ne placez pas l'appareil dans les conditions suivantes :

- à proximité de l'eau, d'un bain ou dans des pièces humides.
- à la lumière directe du soleil, à proximité d'appareil de chauffage ou d'appareils émettant de la chaleur.
- dans un environnement poussiéreux, enfumé ou embué.
- dans un endroit à haute température



• Ne pas démonter ou reconstruire le stylet. Ne pas faire subir de chocs au stylet ou le plier. Cela risque de causer des dommages au stylet et de causer des blessures.

# Remarque

---

- Utilisez un écran plat et dur avec une taille d'écran de 100 pouces ou moins.
- Certaines surfaces de l'écran peuvent être rayées par la pointe du stylet. Avant d'utiliser le stylet, testez-le dans une partie de l'écran qui passe inaperçue pour vous assurer que le capuchon du stylet n'endommage pas la surface de l'écran.
- Ne pas utiliser le stylet dans les zones mentionnées ci-dessous. Cela peut provoquer un dysfonctionnement du stylet.
  - Dans les zones de l'écran et de la caméra touchées par la lumière directe du soleil.
  - Dans les zones où la lumière des lampes halogènes ou à incandescence touche directement l'écran et la caméra.
  - Dans le cas où des matériaux reflétant la lumière sont utilisés dans la zone d'utilisation du stylet. (par ex., cadre de l'écran)
- Ne pas utiliser le stylet dans l'environnement mentionné ci-dessous. Cela peut provoquer un dysfonctionnement du stylet.
  - Lorsque la télécommande à infrarouge est utilisée.
- La plage de température de fonctionnement garantie pour la fonction du stylet est de 5 ° à 40 °C (41 ° à 104 °F).
- Lors du montage ou du démontage de l'unité caméra, ne pas retirer les vis autres que celles spécifiées.

# La mise au rebut de ce produit

---

- Lors de la mise au rebut de ce produit, contactez votre revendeur ou les autorités locales pour plus d'instructions.

# Fonctionnalités

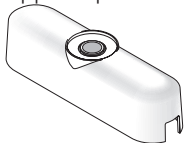
---

- Fonction du tableau blanc interactif électronique  
En combinaison avec le logiciel de dessin, vous pouvez utiliser le tableau blanc ou le mur comme tableau blanc interactif, et vous pouvez prendre des notes manuscrites ou dessiner sur l'écran avec le stylet fourni.  
De plus, en combinaison avec le Touch Module (NP01TM vendu séparément), il permet d'écrire sur le tableau blanc ou le mur à l'aide de votre doigt.  
Projecteurs compatibles :
  - UM330X, UM280X, UM330W, UM280W
  - UM351W, UM301W, UM361X, UM301X
  - U321H\* Ne fixez pas sur ce produit autre chose que les projecteurs compatibles listés précédemment et le support spécifique.
- Une ou plusieurs personnes peuvent prendre des notes ou dessiner en même temps à l'aide du stylet  
Deux stylets sont fournis par défaut avec le produit. Le stylet est également disponible en option (NP02Pi).  
Jusqu'à 10 stylets à la fois peuvent être utilisés sur le produit.  
Cependant, ce nombre peut varier en fonction du logiciel de dessin que vous utilisez.  
Pour l'utilisation du logiciel de dessin, se reporter au manuel d'utilisation fourni avec le logiciel de dessin.
- Fonction d'étalonnage automatique  
Le réglage de la position est facilement réalisable grâce à la fonction d'étalonnage automatique.

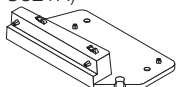
# Éléments fournis

S'assurer que la boîte contienne tous les éléments de la liste. S'il manque des pièces, contactez votre revendeur.

- Appareil photo x 1



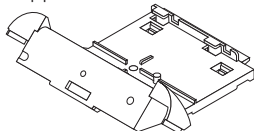
- Fixation x 1 (modèle d'application : U321H)



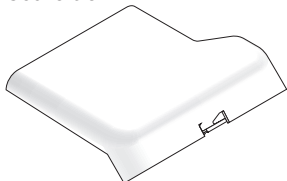
- Joint x 1 (modèle d'application : U321H)



- Support x 1

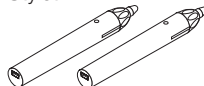


- Couverture x 1

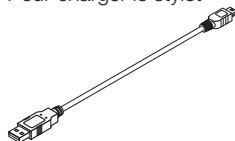


Le support et le couvercle sont assemblés.

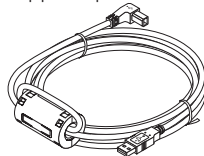
- Stylet x 2



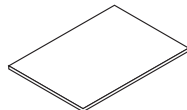
- Câble USB x 1  
Pour charger le stylet



- Câble USB (4,5 m/14,8 pieds) x 1  
Pour connecter l'ordinateur à l'aide de l'appareil photo



- Manuel d'installation (ce document) x 1



- Vis (M3) x 4

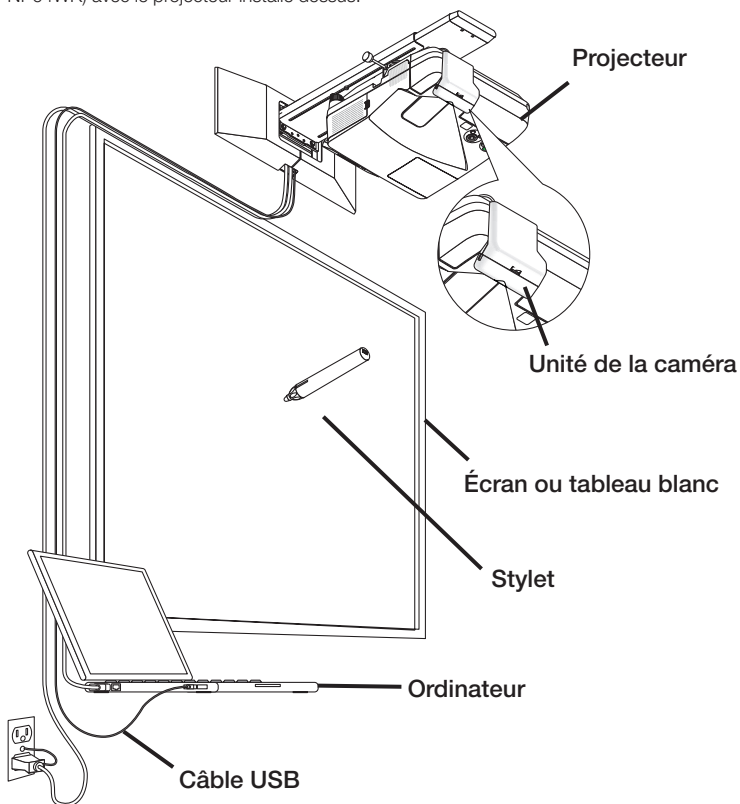


## REMARQUE

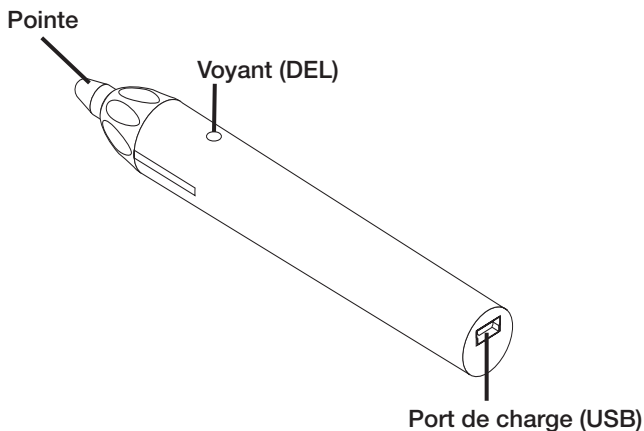
- Télécharger le pilote et les logiciels d'étalonnage sur notre site web pour les installer sur l'ordinateur.  
URL : <http://www.nec-display.com/dl/en/index.html>
- Le logiciel de dessin est nécessaire pour utiliser la fonction du tableau blanc interactif.  
Aucun logiciel de dessin n'est fourni avec le produit. Vous pouvez acheter des logiciels de dessin dans le commerce.

# Noms des pièces

Le schéma illustre un exemple de l'unité optionnelle de montage au mur (Nom du modèle: NP04WK) avec le projecteur installé dessus.

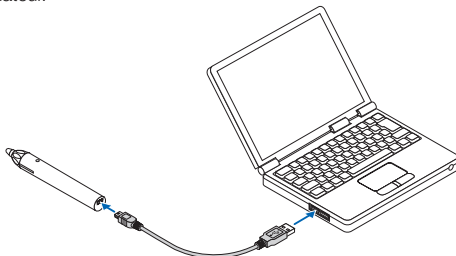


## Nomenclature du stylet fourni



## Charger le stylet

Utilisez le câble USB fourni pour recharger le stylet pour connecter le port de charge (USB) du stylet à la prise USB de l'ordinateur.



Le stylet va démarrer la recharge. La recharge est terminée après environ 3 minutes.

- Le fait d'appuyer sur le capuchon du stylo sur un tableau blanc de l'écran ou d'éteindre le voyant LED au rouge, indique que le chargement est terminé et que vous êtes prêt à utiliser le stylet. Si le voyant DEL rouge s'éteint, chargez le stylet.

## Précautions relatives à l'utilisation du stylet

- Veillez à ne pas endommager le stylet en le faisant tomber sur le sol ou en effectuant une mauvaise manipulation.
- Gardez le stylet éloigné de l'eau et de tout autre liquide. Si le stylet est mouillé, essuyez-le immédiatement.
- Évitez la chaleur et l'humidité dans la mesure du possible.

# Procédure de configuration

## Déroulement de la configuration

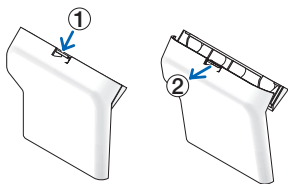
1. Connectez le câble USB et le support à l'unité caméra.
2. Fixez l'unité caméra sur le projecteur.
  - \* La procédure de fixation du U321H est différente de celle des autres modèles.
3. Montez le couvercle sur le support.
4. Connectez le projecteur à l'ordinateur.
5. Mettez en marche le projecteur et ajustez la position et la mise au point de l'image projetée.
6. Connectez le câble USB sur le terminal qui est connecté à l'unité caméra à l'ordinateur.
7. Installez le pilote et les logiciels d'étalonnage sur l'ordinateur et effectuez l'étalonnage.

## Avertissement

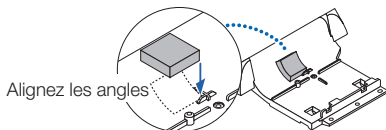
- Installer ce produit sur le projecteur avant d'installer le projecteur au plafond ou au mur. Si ce produit est installé après l'installation du projecteur au plafond ou au mur, l'unité caméra risque de ne pas être fixée correctement et elle risque de tomber et de provoquer des blessures. En même temps, cela peut provoquer des dommages sur l'unité caméra.
- Veillez à serrer les vis après avoir fixé l'unité caméra. Si les vis ne sont pas serrées correctement, l'unité caméra risque de tomber et de blesser quelqu'un. En même temps, cela peut provoquer des dommages sur l'unité caméra.
- Ne tenez pas l'unité caméra pour déplacer le projecteur et n'appliquez pas de force excessive sur l'unité caméra. Ceci peut causer des dommages à l'unité caméra et provoquer des blessures.

### Préparation :

- Préparez un tournevis cruciforme
- Cependant, le support et le couvercle ayant été en position fixée pour le transport, retirez le support en appuyant sur le bouton sur le couvercle.



Pour l'installation du U321H, vous devez appliquer le joint sur le support. Décollez la feuille de protection sur la face arrière du joint, fixez-la sur la position marquée d'une flèche sur l'illustration.

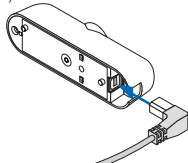




## 1. Connectez le câble USB et le support à l'unité caméra.

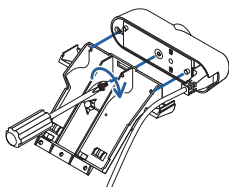
### ① Connectez le câble USB et le support à l'unité caméra.

Connectez le connecteur en forme de L du câble USB fourni (4,5 m/14,8 ft) au port USB (type B) de l'unité caméra.



### ② Fixez l'unité caméra sur le support.

Introduisez les deux parties saillantes de l'unité caméra dans les trous de fixation du support et alignez la position des trous de vis. Fixez l'unité caméra à l'aide d'une vis.



## 2. Fixez l'unité caméra sur le projecteur.

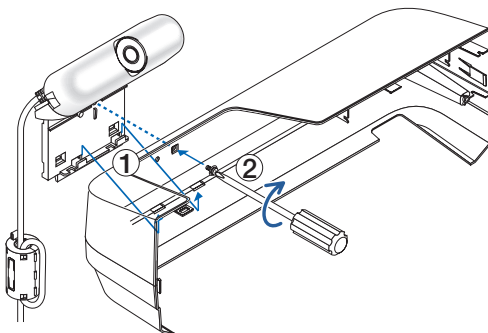
\* La procédure de fixation du U321H est différente de celle d'autres modèles, UM351W, UM301W, UM361X, UM301X, UM330 X, UM280 X, UM330W et UM280W

**Pour UM351W/UM301W/UM361X/UM301X/UM330X/UM280X/UM330W/UM280W**

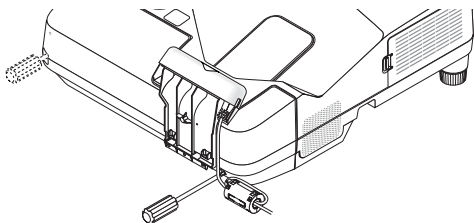
- Retirez la protection du câble s'il est monté sur le projecteur. Veuillez suivre les instructions sur le mode d'emploi du projecteur pour le montage/démontage de la protection du câble.
- Nécessite une vis.

### ① Fixez l'unité caméra sur la protection du câble.

De l'extérieur de la protection du câble, introduisez les deux parties saillantes sur le support dans les trous de fixation sur la protection du câble, puis ajustez la position des trous de fixation. Fixez les avec une vis mise à l'intérieur de la protection du câble.



- ② Fixez la protection du câble sur le projecteur.

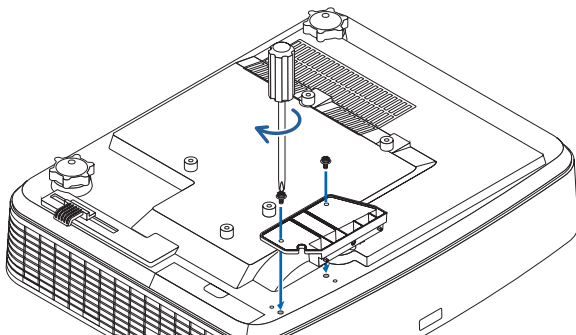


**Pour U321H**

Nécessite trois vis et une fixation.

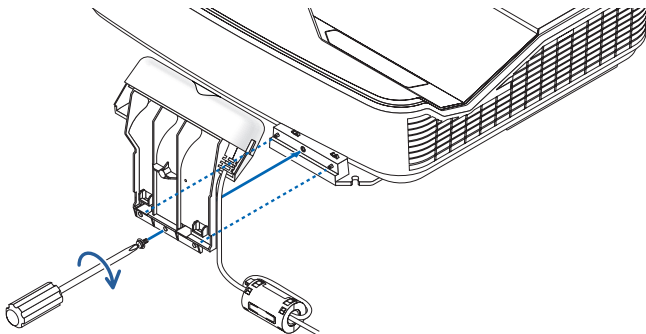
- ① Montez la fixation sur le projecteur.

Mettez la base du projecteur vers le haut et poussez les deux parties saillantes sur la fixation dans les trous de fixation sur le projecteur, puis alignez la position des trous de fixation. Serrez-les avec deux vis.



- ② Fixez l'unité caméra sur la fixation.

Mettez le projecteur vers le haut et introduisez les deux parties saillantes sur la fixation dans les trous de fixation sur le support, puis alignez la position des trous de fixation. Serrez-les avec une vis.

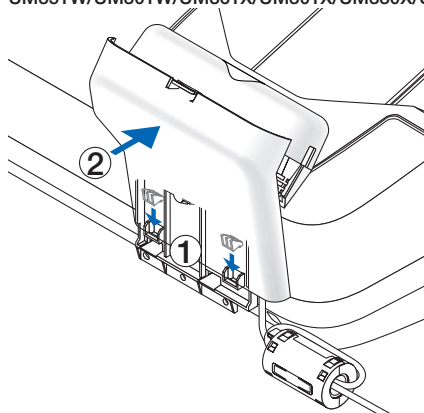


### 3. Montez le couvercle sur le support.

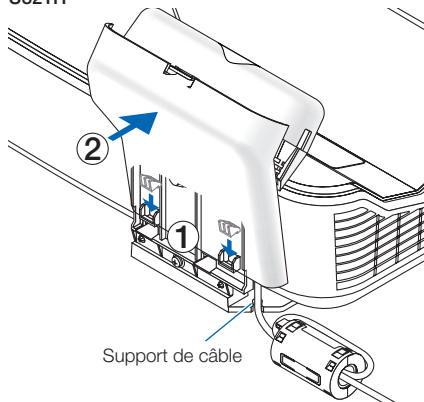
Enfoncez les clips situés dans le bas du couvercle dans les trous de fixation sur le support jusqu'à ce que vous entendiez un déclic.

Mettez le câble USB à l'intérieur du couvercle. Pour U321H, placez le câble USB à travers l'encoche comme le support de câble.

UM351W/UM301W/UM361X/UM301X/UM330X/UM280X/ UM330W/UM280W

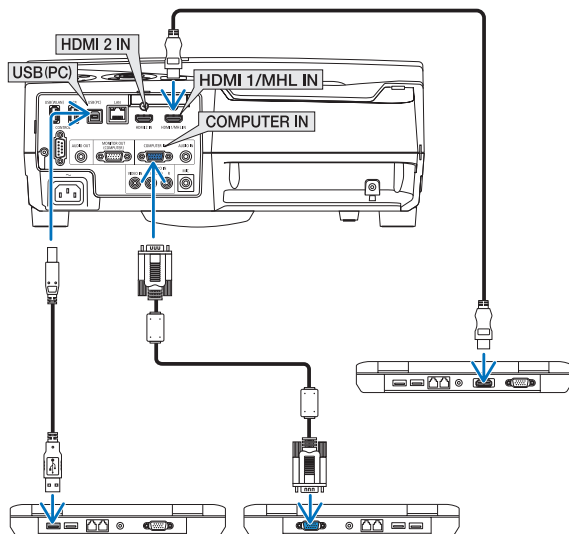


U321H



#### 4. Connectez le projecteur à l'ordinateur.

Le projecteur peut être connecté à un ordinateur à l'aide d'un câble d'ordinateur (fourni avec le projecteur) ou d'un câble HDMI disponible dans le commerce.



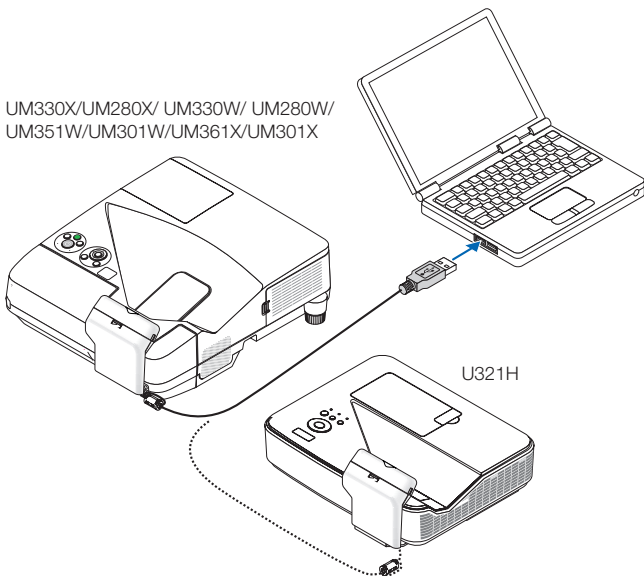
#### 5. Mettez le projecteur sous tension puis ajustez la position/ mise au point de l'image projetée.

Pour connaître la procédure de réglage, reportez-vous au mode d'emploi du projecteur.

#### 6. Connectez l'ordinateur et l'unité de l'appareil photo à l'aide du câble USB fourni.

Connectez le terminal du câble USB (4,5 m/14,8 pieds) dont un autre terminal a été connecté avec l'unité caméra au port USB (type A) de l'ordinateur.

UM330X/UM280X/ UM330W/ UM280W/  
UM351W/UM301W/UM361X/UM301X



## 7. Installez le pilote et les logiciels d'étalonnage sur l'ordinateur et effectuez l'étalonnage.

Téléchargez le pilote et le logiciel d'étalonnage sur notre site Web et installez-les sur l'ordinateur.  
URL : <http://www.nec-display.com/dl/en/index.html>

Le manuel d'utilisation pour l'installation et l'étalonnage est disponible au format PDF (Portable Document Format).

Pour visualiser ou imprimer les fichiers PDF, Adobe Reader™ est nécessaire.

Si vous n'arrivez pas à ouvrir un fichier PDF sur votre ordinateur, procurez-vous la version actuelle d'Adobe Reader pour votre système d'exploitation à partir de la page d'accueil de Adobe Systems et installez-la sur votre ordinateur.

---

### REMARQUE

- Le logiciel de dessin est nécessaire pour utiliser la fonction du tableau blanc interactif. Aucun logiciel de dessin n'est fourni avec le produit. Vous pouvez acheter des logiciels de dessin dans le commerce.
-

# Résolution des problèmes

---

## Le stylet ne fonctionne pas.

- Est-ce que le câble USB est bien connecté à l'ordinateur (type A de port USB) et à la caméra (type B de port USB) ?
  - Le driver et le logiciel d'étalonnage sont-ils bien installés sur votre ordinateur ?
  - Est-ce que vous utilisez le stylet dans l'environnement suivant ?
    - Si la lumière directe du soleil touche l'écran et/ou la caméra, changez le lieu d'installation et choisissez un endroit non exposé à la lumière directe du soleil.
    - Si la lumière d'une lampe halogène et/ou à incandescence touche l'écran et/ou la caméra, changez la direction d'installation de l'écran et/ou de la caméra, ou bloquez la lumière de la lampe.
    - N'utilisez pas un écran dont le matériau du cadre reflète la lumière.
- L'influence de la lumière externe est décrite dans le guide de dépannage du guide du logiciel NPO4WI. Reportez-vous au guide du logiciel, à la page de prise en charge pour nos projecteurs, téléchargé sur notre site Internet et installez-les dans un endroit approprié où la lumière ne les affecte pas.
- La caméra est-elle placée en position correcte ?
  - Le stylet est-il convenablement chargé ?

Si en appuyant sur la pointe de stylet la DEL ne devient pas rouge, chargez le stylet.
  - La taille de l'écran et la température d'utilisation sont-elles de la gamme appropriée ?

Utilisez un écran à l'intérieur d'une portée efficace.  
Utilisez le stylet à une température comprise entre 5 ° à 40 °C (41 ° à 104 °F).
  - L'objectif de la caméra est-il sale ?

Si l'objectif est sale, l'essuyer avec un chiffon doux, sec et non pelucheux.

## Les lignes tracées avec le stylet ne correspondent pas à l'écran.

- Le capteur a-t-il été calibré correctement ?
- Si l'exécution de l'étalonnage automatique ne permet pas de résoudre le problème, essayez d'effectuer l'étalonnage manuellement.

# Spécifications

---

## Unité de la caméra

- Borne d'entrée : USB Type B × 1
- Consommation d'énergie : 120 mA/5 V, 600 mW
- Poids : 70 g/2,5 oz
- Dimensions extérieures : 135 (L) × 32 (H) × 36 (P) mm/5,3" (L) × 1,3" (H) × 1,4" (P) (parties saillantes non comprises)
- Portée effective : 60" à 100"
- Température et humidité de fonctionnement : 5 ° à 40 °C (41 ° à 104 °F) / 20 % à 80 % (sans condensation)
- Température et humidité de stockage : -10 ° à 50 °C (14 ° à 122 °F) / 20 % à 80 % (sans condensation)

## Stylet

- Poids : 25 g/0,9 oz
- Alimentation électrique : type de charge (super-condensateur)
- Durée de charge : 3 minutes
- Estimation du nombre de chargement de la batterie : 100 000
- Utilisation de l'appareil : environ 2 heures
- Température et humidité de fonctionnement : 5 ° à 40 °C (41 ° à 104 °F) / 20 % à 80 % (sans condensation)
- Température et humidité de stockage : -10 ° à 50 °C (14 ° à 122 °F) / 20 % à 80 % (sans condensation)

Kit interattivo lavagna bianca

# NP04Wi

---

## Manuale di installazione

### INDICE

Introduzione.....	ITA-2
Leggere prima dell'uso .....	ITA-3
Nota .....	ITA-4
Smaltimento del prodotto .....	ITA-4
Caratteristiche .....	ITA-4
Articoli contenuti nella confezione .....	ITA-5
Nomi dei componenti .....	ITA-6
Procedura di installazione .....	ITA-8
Risoluzione dei problemi .....	ITA-14
Specifiche.....	ITA-14

# Introduzione

---

Grazie per avere acquistato la lavagna bianca interattiva NEC (nome modello: NP04W).

Collegando questo prodotto ad un proiettore NEC, è possibile utilizzare la lavagna bianca o la parete come lavagna bianca interattiva.

La penna a stilo in dotazione dispone di uno spazio per il supercondensatore di ricarica incorporato. Ricaricare il supercondensatore per 3 minuti prima di utilizzare la penna a stilo per la prima volta.

Il presente manuale utilizza come esempio il collegamento con la UM351W.

I termini HDMI, HDMI High-Definition Multimedia Interface e il logo HDMI sono marchi di fabbrica o marchi di fabbrica registrati di HDMI Licensing LLC negli Stati Uniti e in altri paesi.

## Smaltimento del prodotto usato



La legislazione vigente in tutta Europa come viene applicata in ogni Stato Membro richiede che i prodotti elettrici ed elettronici usati riportanti il marchio (a sinistra) debbano essere smaltiti separatamente dai normali rifiuti casalinghi. Quando si smaltiscono tali prodotti, seguire la guida delle autorità locali e/o chiedere al negozio dove il prodotto è stato acquistato.

Dopo la raccolta dei prodotti usati, essi vengono riusati e riciclati in maniera corretta. Questo sforzo ci aiuterà a ridurre a un livello minimo la quantità di rifiuti e l'impatto negativo che sostanze come il mercurio, contenute in alcune parti, hanno sulla salute umana e sull'ambiente.

Il marchio sui prodotti elettrici ed elettronici si applica soltanto negli attuali Stati Membri dell'Unione Europea.

## Precauzioni

- (1) La ristampa non autorizzata dei contenuti di questo manuale è proibita.
- (2) I contenuti del manuale sono soggetti a modifiche nel futuro senza preavviso.
- (3) I contenuti del manuale sono stati preparati con grande cura, ma si prega comunque di notificare NEC nel caso di dubbi o se si notano errori o omissioni.
- (4) Si noti che NEC non accetta alcuna responsabilità di qualunque genere per rivendicazioni per danni, perdita di profitti, ecc. causati dall'uso di questo prodotto, indipendentemente dall'articolo (3) di cui sopra.
- (5) NEC si impegna a sostituire qualsiasi manuale che presenti una fascicolazione scorretta o pagine mancanti.



# Leggere prima dell'uso

## Informazioni sui pittogrammi

Per garantire un uso sicuro e adeguato del prodotto, questo manuale di installazione usa un certo numero di pittogrammi in modo da evitare lesioni all'utente e ad altri e inoltre danni materiali.

I pittogrammi e il loro significato sono descritti di seguito. Assicurarsi di comprenderli pienamente prima di leggere il manuale.



### AVVERTIMENTO

Il non tener conto di questo pittogramma e l'uso erraneo del prodotto potrebbero provocare incidenti con la conseguenza di morte o lesioni gravi.




### ATTENZIONE

Il non tener conto di questo pittogramma e l'uso erraneo del prodotto potrebbero provocare lesioni personali o danni alle proprietà circostanti.

## Esempi di pittogrammi



Il simbolo  indica istruzioni che invitano alla cautela (compresi gli avvertimenti). Un'indicazione specifica della precauzione viene data all'interno del simbolo.



Il simbolo  indica azioni vietate. Un'indicazione specifica dell'azione vietata viene data all'interno del simbolo.



Il simbolo  indica azioni necessarie. Un'indicazione specifica dell'azione necessaria viene data all'interno del simbolo.



## AVVERTIMENTO



• Installare questo prodotto sul proiettore prima di installare il proiettore a soffitto o a parete. Se questo prodotto viene installato dopo aver installato il proiettore a soffitto o a parete, l'unità videocamera potrebbe non essere fissata correttamente e potrebbe essere causa di cadute e conseguenti lesioni. Inoltre, si potrebbero causare danni alla videocamera stessa.



• Assicurarsi di serrare le viti dopo aver fissato la videocamera. Se le viti non vengono serrate saldamente, la videocamera potrebbe cadere e causare lesioni. Inoltre, si potrebbero causare danni alla videocamera stessa.



• Non reggere la videocamera per spostare il proiettore e non esercitare una forza eccessiva sulla videocamera. Si potrebbero arrecare danni alla videocamera con conseguenti lesioni.



• Non collocare questo prodotto nelle seguenti condizioni:

- in prossimità di acqua, bagni o locali umidi.
- alla luce solare diretta, in prossimità di riscaldatori o apparecchiature che diffondono calore.
- in un ambiente polveroso, con fumo o vapore.
- in luoghi ad elevate temperature



• Non smontare o rimodellare la penna a stilo. Non urtare o piegare la penna a stilo. Si potrebbero arrecare dei danni alla penna a stilo con conseguenti lesioni.

# Nota

---

- Utilizzare uno schermo piatto e duro con una dimensione di 100 pollici o meno.
- Alcuni schermi possono essere graffiati dalla punta della penna a stilo. Prima di usare la penna a stilo, provarla su una parte dello schermo meno esposta per assicurarsi che la punta della penna non danneggi la superficie dello schermo.
- Non utilizzare la penna a stilo nelle aree sotto menzionate.  
Ciò potrebbe causare il malfunzionamento della penna a stilo.
  - In zone in cui il sole batte direttamente sulla superficie dello schermo e sulla telecamera.
  - In zone in cui la luce di lampade alogene o a incandescenza batte direttamente sulla superficie dello schermo e sulla telecamera.
  - Nel caso in cui vengano usati dei materiali riflettenti la luce all'interno dell'area di funzionamento della penna a stilo. (es. cornice schermo)
- Non utilizzare la penna a stilo nell'ambiente sotto menzionato. Ciò potrebbe causare il malfunzionamento della penna a stilo.
  - Quando viene utilizzato il telecomando a infrarossi.
- L'intervallo di temperatura di funzionamento garantito per la penna a stilo va da 5 °C a 40 °C.
- Durante il montaggio o la rimozione della videocamera, non rimuovere viti diverse da quelle specificate.

## Smaltimento del prodotto

---

- Per lo smaltimento del prodotto, contattare il negozio dove è stato effettuato l'acquisto o l'autorità locale per ottenere istruzioni a riguardo.

## Caratteristiche

---

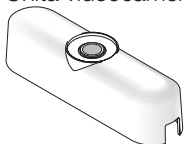
- Funzione lavagna elettronica interattiva  
Tramite combinazione con il software di disegno, la lavagna o la parete possono essere utilizzate come lavagna interattiva, inoltre è possibile prendere appunti a mano o disegnare sullo schermo con la penna a stilo in dotazione.  
Inoltre, mediante una combinazione con il modulo a sfioramento (NP01TM venduto separatamente), è possibile disegnare sulla lavagna o sulla parete con le dita.  
Proiettori supportati:
  - UM330X, UM280X, UM330W, UM280W
  - UM351W, UM301W, UM361X, UM301X
  - U321H

\* Non fissare su questo prodotto oggetti diversi dai proiettori elencati sopra e dall'esclusivo supporto.
- Uno o più persone possono prendere appunti o disegnare con le penne a stilo contemporaneamente  
Due penne a stilo sono incluse con il prodotto. La penna a stilo è inoltre disponibile come opzione (NP02Pi).  
Fino a 10 penne a stilo possono essere utilizzate contemporaneamente sul prodotto.  
Tuttavia, questo numero può variare in base al software di disegno che si utilizza.  
Per l'uso del software di disegno, fare riferimento al manuale dell'utente in dotazione con il software di disegno.
- Funzione di calibrazione automatica  
La regolazione della posizione viene eseguita facilmente grazie alla funzione di calibrazione automatica.

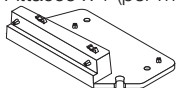
# Articoli contenuti nella confezione

Assicurarsi che la scatola contenga tutti gli oggetti indicati. Se mancano dei componenti, contattare il proprio rivenditore.

- Unità videocamera x 1



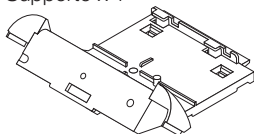
- Attacco x 1 (per modello: U321H)



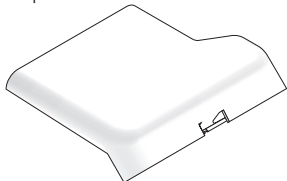
- Guarnizione x 1 (per modello: U321H)



- Supporto x 1

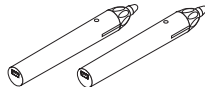


- Coperchio x 1

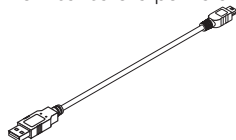


Il supporto e il coperchio sono assemblati.

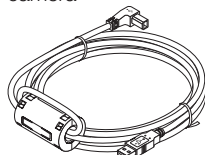
- Penna a stilo x 2



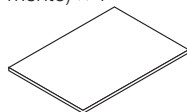
- Cavo USB x 1  
Per ricaricare la penna a stilo



- Cavo USB (4,5 m) x 1  
Per collegare il computer all'unità videocamera



- Manuale di installazione (questo documento) x 1



- Vite (M3) x 4



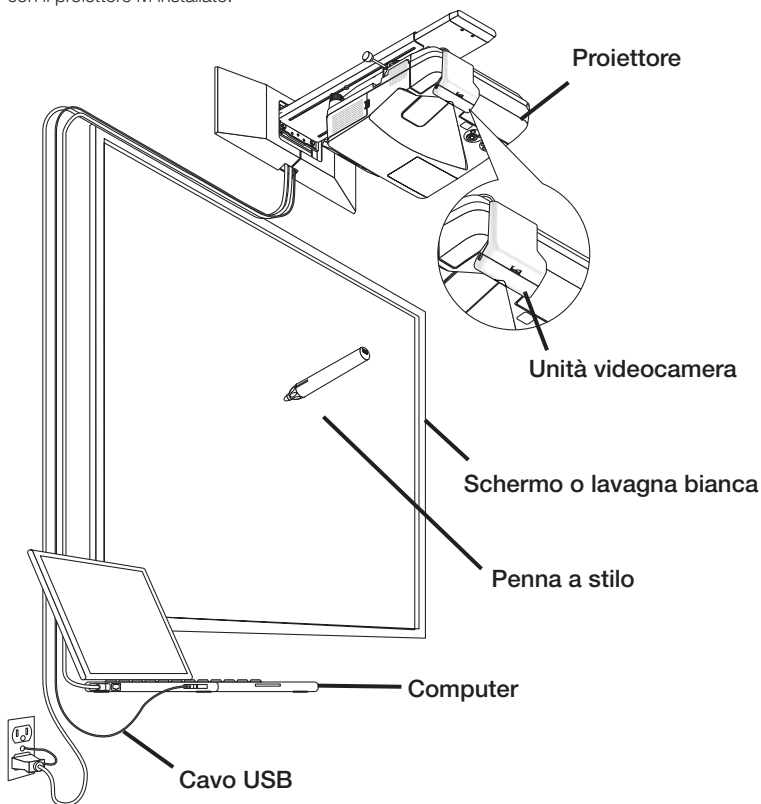
## NOTA

- Scaricare il driver e il software di calibrazione dal nostro sito web ed installarli sul computer.  
URL: <http://www.nec-display.com/dl/en/index.html>
- Il software di disegno è necessario per utilizzare la funzione lavagna bianca interattiva. Nessun software di disegno è fornito con il prodotto. Procurarsi un software di disegno disponibile in commercio.

# Nomi dei componenti

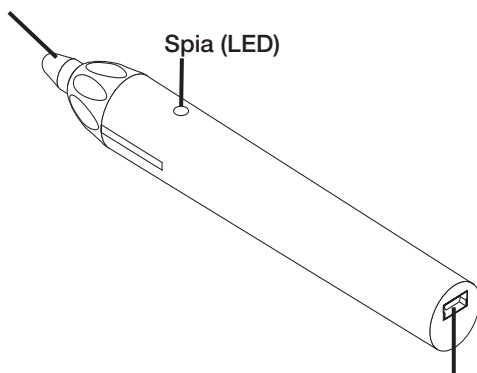
---

Il disegno illustra un esempio di unità di montaggio a muro opzionale (Nome modello: NP04WK) con il proiettore ivi installato.



## Nomi dei componenti della penna a stilo in dotazione

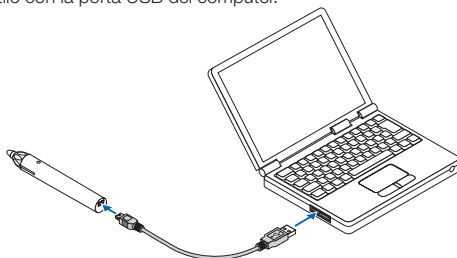
Punta della penna



Porta di ricarica (USB)

## Ricarica della penna a stilo

Utilizzare il cavo USB fornito in dotazione per ricaricare la penna a stilo collegando la porta di ricarica (USB) della penna a stilo con la porta USB del computer.



La penna a stilo inizia a ricaricarsi. La ricarica viene completata in circa 3 minuti.

- Quando si preme la punta della penna su uno schermo o lavagna la spia diventa rossa, il che indica che la ricarica è terminata e la penna a stilo può essere utilizzata. Se il LED rosso si spegne, ricaricare la penna a stilo.

## Precauzioni sull'uso della penna a stilo

- Non danneggiare la penna a stilo facendola cadere sul pavimento o utilizzandola in modo sbagliato.
- Tenere la penna a stilo lontana da acqua o altri liquidi. Se la penna a stilo si bagna, asciugarla immediatamente.
- Evitare calore o umidità quando possibile.

# Procedura di installazione

## Flusso di installazione

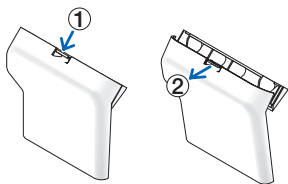
1. Collegare il cavo USB e il supporto alla videocamera.
2. Fissare la videocamera al proiettore.  
\* La procedura di fissaggio per U321H è diversa rispetto agli altri modelli.
3. Montare il coperchio sul supporto.
4. Collegare il proiettore al computer.
5. Accendere il proiettore e regolare la posizione e la messa a fuoco dell'immagine proiettata.
6. Collegare il cavo USB sul terminale su cui è collegata la videocamera con il computer.
7. Installare il driver e il software di calibrazione sul computer ed eseguire la calibrazione.

## Avvertimento

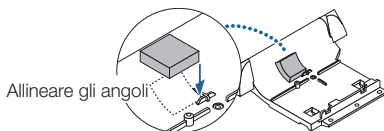
- Installare questo prodotto sul proiettore prima di installare il proiettore a soffitto o a parete. Se questo prodotto viene installato dopo aver installato il proiettore a soffitto o a parete, la videocamera potrebbe non essere fissata correttamente e potrebbe essere causa di cadute e conseguenti lesioni. Inoltre, si potrebbero causare danni alla videocamera stessa.
- Assicurarsi di serrare le viti dopo aver fissato la videocamera. Se le viti non vengono serrate saldamente, la videocamera potrebbe cadere e causare lesioni. Inoltre, si potrebbero causare danni alla videocamera stessa.
- Non reggere la videocamera per spostare il proiettore e non esercitare una forza eccessiva sulla videocamera. Si potrebbero arrecare danni alla videocamera con conseguenti lesioni.

### Preparazione:

- Preparare un cacciavite con punta intercambiabile
- Tuttavia, il supporto e il coperchio sono stati inseriti per la spedizione; rimuovere il supporto premendo il pulsante sul coperchio.



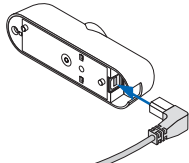
Per il fissaggio su U321H, è necessario sigillare la guarnizione sul supporto. Staccare la carta di rilascio dal lato posteriore della guarnizione e fissarla nella posizione indicata sull'immagine dalla freccia.



## 1. Collegare il cavo USB e il supporto alla videocamera.

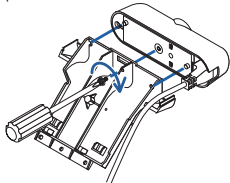
### ① Collegare il cavo USB e il supporto alla videocamera.

Collegare il terminale a forma di L del cavo USB in dotazione (4,5 m) alla porta USB (tipo B) della videocamera.



### ② Fissare la videocamera al supporto.

Innestare le due sporgenze sulla videocamera nei fori di fissaggio del supporto e allineare la posizione dei fori delle viti. Fissare la videocamera con una vite.



## 2. Fissare la videocamera al proiettore.

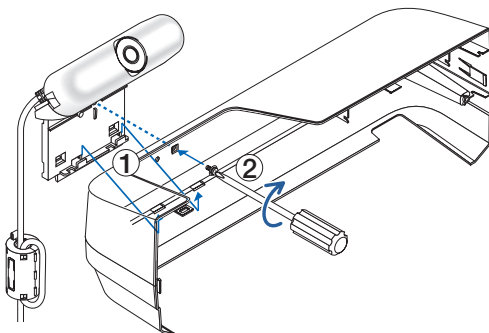
\* La procedura di fissaggio per U321H è diversa rispetto ai modelli UM351W, UM301W, UM361X, UM301X, UM330X, UM280X, UM330W e UM280W

**Per UM351W/UM301W/UM361X/UM301X/UM330X/UM280X/UM330W/UM280W**

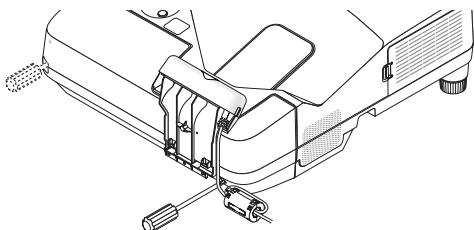
- Rimuovere il copricavo se è montato sul proiettore. Seguire le istruzioni riportate sul manuale dell'utente del proiettore per montare/smontare il copricavo.
- È necessaria una vite.

### ① Fissare la videocamera al copricavo.

Dal lato esterno del copricavo, innestare le due sporgenze del supporto nei fori di fissaggio sul copricavo, quindi allineare la posizione dei fori di fissaggio. Fissare con una vite inserendo dall'interno del copricavo.



- ② Fissare il copricavo sul proiettore.

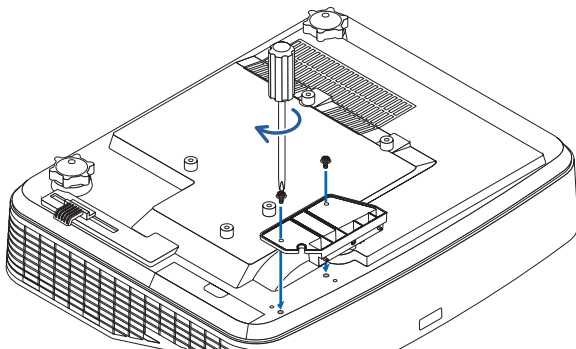


### Per U321H

Sono necessarie tre viti e il supporto.

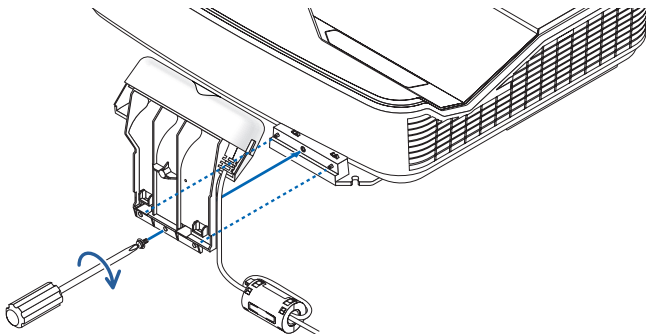
- ① Montare l'attacco sul proiettore.

Posizionare la parte inferiore del proiettore verso l'alto e premere le due sporgenze sull'attacco nei fori di fissaggio del proiettore, quindi allineare la posizione dei fori di fissaggio. Fissare con due viti.



- ② Fissare la videocamera sull'attacco.

Posizionare il proiettore verso l'alto e premere le due sporgenze sull'attacco nei fori di fissaggio del supporto, quindi allineare la posizione dei fori di fissaggio. Fissare con una vite.



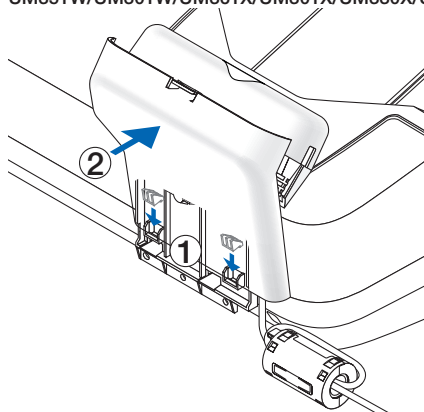


### 3. Montare il coperchio sul supporto.

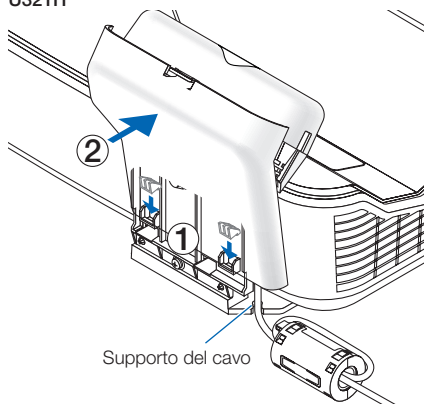
Premere gli elementi di ritengo nella parte inferiore del coperchio nei fori di fissaggio del supporto finché non si avverte uno scatto.

Inserire il cavo USB all'interno del coperchio. Per U321H, inserire il cavo USB attraverso la tacca del supporto del cavo.

UM351W/UM301W/UM361X/UM301X/UM330X/UM280X/ UM330W/UM280W

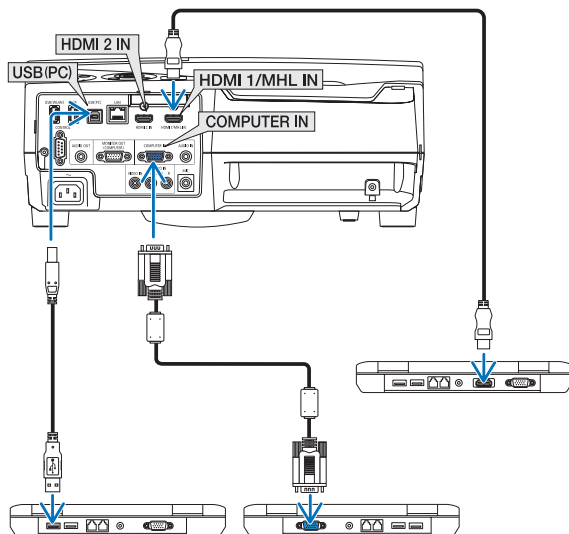


U321H



#### 4. Collegare il proiettore al computer.

Il proiettore può essere collegato a un computer mediante il cavo computer (in dotazione con il proiettore) o un cavo HDMI disponibile in commercio.



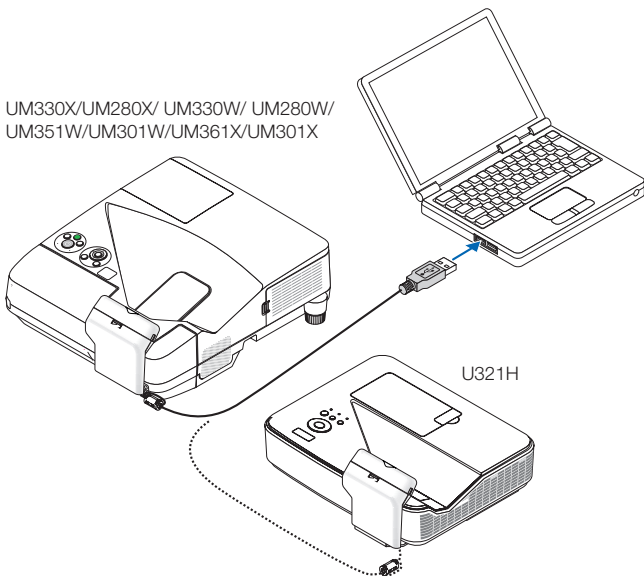
#### 5. Accendere il proiettore e regolare la posizione e la messa a fuoco dell'immagine proiettata.

Per la procedura di regolazione, consultare il manuale dell'utente del proiettore.

#### 6. Collegare il computer e l'unità videocamera con il cavo USB in dotazione.

Collegare il terminale del cavo USB (4,5 m), mentre un altro terminale è collegato tra la videocamera e la porta USB (tipo A) del computer.

UM330X/UM280X/ UM330W/ UM280W/  
UM351W/UM301W/UM361X/UM301X



## 7. Installare il driver e il software di calibrazione sul computer ed eseguire la calibrazione.

Scaricare il driver e il software di calibrazione dal nostro sito web ed installarli sul computer.  
URL: <http://www.nec-display.com/dl/en/index.html>

Il manuale d'uso per l'installazione e la calibrazione è disponibile in formato PDF (Portable Document Format).

Per visualizzare o stampare i file PDF, è necessario Adobe Reader™.

Se non è possibile aprire un file PDF sul proprio computer, scaricare la versione più recente di Adobe Reader per il proprio sistema operativo dalla home page di Adobe Systems ed installarla sul computer.

---

### NOTA

- Il software di disegno è necessario per utilizzare la funzione lavagna bianca interattiva. Nessun software di disegno è fornito con il prodotto. Procurarsi un software di disegno disponibile in commercio.
-

# Risoluzione dei problemi

---

## La penna a stilo non funziona.

- Il cavo USB è collegato tra il computer (porta USB di tipo A) e l'unità videocamera (porta USB di tipo B)?
- Il driver e il software di calibrazione sono stati installati sul computer?
- Si sta utilizzando la penna a stilo in uno dei seguenti ambienti?
  - Se la luce diretta del sole batte sulla superficie dello schermo e/o sulla telecamera, cambiare il luogo di installazione in modo che non vi sia un'esposizione diretta alla luce del sole.
  - Se la luce di una lampada alogena e/o a incandescenza batte sulla superficie dello schermo e/o sulla telecamera, cambiare la direzione di installazione dello schermo e/o della telecamera oppure spegnere la luce della lampada.
  - Non utilizzare schermi che abbiano una cornice di un materiale riflettente la luce.
- L'influenza della luce esterna è descritta alla voce Risoluzione dei problemi nella guida software NP04Wi. Fare riferimento alla guida software nella pagina di supporto per i nostri proiettori, caricata sul nostro sito web, e montarli in un luogo appropriato dove non siano influenzati dalla luce.
- L'unità videocamera è collocata in posizione corretta?
- La penna a stilo è carica?
  - Se premendo la punta della penna il LED non diventa rosso, ricaricare la penna a stilo.
- La dimensione dello schermo e l'intervallo di temperatura sono compresi nell'intervallo effettivo?
  - Utilizzare uno schermo compreso nell'intervallo effettivo.
  - Utilizzare la penna a stilo ad un intervallo di temperatura compreso tra 5 °C e 40 °C.
- L'obiettivo dell'unità videocamera è sporco?
  - Se l'obiettivo è sporco, pulirlo con un panno morbido e asciutto che non sia ricoperto di peluria.

## Le linee tracciate con la penna a stilo non corrispondono allo schermo.

- Il sensore è stato calibrato correttamente?
- Se eseguendo la calibrazione automatica non si risolve il problema, provare ad eseguire la calibrazione manualmente.

# Specifiche

---

## Unità videocamera

- Terminale di ingresso: USB tipo B × 1
- Consumo energetico: 120 mA/5 V, 600 mW
- Peso: 70 g
- Dimensioni esterne: 135 (L) × 32 (A) × 36 (P) mm (sporgenze escluse)
- Intervallo effettivo: da 60" a 100"
- Temperatura e umidità di funzionamento: da 5 °C a 40 °C/da 20% a 80% (senza condensa)
- Temperatura e umidità di conservazione: da -10 °C a 50 °C/da 20% a 80% (senza condensa)

## Penna a stilo

- Peso: 25 g
- Alimentazione: tipo di ricarica (supercondensatore)
- Tempo di ricarica: 3 minuti
- Il numero stimato di ricariche della batteria: 100.000
- Tempo di funzionamento: circa 2 ore
- Temperatura e umidità di funzionamento: da 5 °C a 40 °C/da 20% a 80% (senza condensa)
- Temperatura e umidità di conservazione: da -10 °C a 50 °C/da 20% a 80% (senza condensa)

Kit de pizarra interactiva

# **NP04Wi**

---

## **Manual de instalación**

### **CONTENIDO**

Introducción .....	SPA-2
Lea esto antes de empezar .....	SPA-3
Nota .....	SPA-4
Desecho de este producto .....	SPA-4
Características.....	SPA-4
Artículos incluidos.....	SPA-5
Nombres de pieza .....	SPA-6
Procedimiento de configuración .....	SPA-8
Solución de problemas .....	SPA-14
Especificaciones.....	SPA-14

# Introducción

---

Thank you very much for purchasing the NEC Interactive White Board (Model Name: NP04W). By connecting to an NEC projector to this product, the white board or wall can be used as your interactive white board.

The supplied stylus pen has a built-in super-capacitor charge storage. Charge the super-capacitor for 3 minutes before using the stylus pen for the first time.

This manual uses the example of connection with the UM351W.

Los términos HDMI y HDMI High-Definition Multimedia Interface, y el logotipo HDMI son marcas comerciales o marcas comerciales registradas de HDMI Licensing LLC en los Estados Unidos y en otros países.

## Desecho del producto usado



La legislación de la UE tal como ha sido implementada en cada país miembro establece que los productos eléctricos y electrónicos usados que cuenten con el símbolo (como el del lado izquierdo) sean desechados de forma separada de la basura doméstica normal. Cuando deseche este tipo de productos, siga las instrucciones de las autoridades locales y/o pregunte en el almacén donde adquirió el producto.

Después de recoger los productos usados, son reutilizados y reciclados de la forma correcta. De este modo le ayudaremos a reducir la basura así como también el impacto negativo que pudiera provocar al mínimo nivel, por ejemplo el mercurio que contienen ciertas piezas, en la salud humana y en el medio ambiente.

El símbolo presente en los productos eléctricos y electrónicos solo se aplica a los Países Miembros actuales de la Unión Europea.

## Precauciones

- (1) Está prohibida la reimpresión no autorizada del contenido de este manual.
- (2) El contenido de este manual se encuentra sujeto a cambios sin previo aviso.
- (3) El contenido de este manual ha sido preparado minuciosamente, sin embargo si tiene dudas o si nota errores u omisiones, notifique a NEC.
- (4) Tenga en cuenta que NEC no se hará responsable por cualquier reclamación en relación con daños, pérdida de beneficios, etc., a consecuencia del uso de este producto, sin importar el artículo (3) antes mencionado.
- (5) NEC cambiará cualquier manual que presente una paginación incorrecta o le falten páginas.

# Lea esto antes de empezar

## Acerca de los símbolos

Para garantizar el uso seguro y correcto del producto, este manual de instalación utiliza varios símbolos para evitar lesiones en los usuarios así como daños en la propiedad.

Los símbolos y sus significados se describen a continuación. Asegúrese de comprenderlos completamente antes de leer este manual.



### ADVERTENCIA

En caso de no prestar atención a este símbolo y de manipular erróneamente el producto podría ocasionar accidentes que produzcan la muerte o lesiones severas.




### PRECAUCIÓN


En caso de no prestar atención a este símbolo y de manipular erróneamente el producto podría dar como resultado lesiones personales o daños en la propiedad circundante.

## Ejemplos de símbolos




El símbolo  indica las instrucciones que requieren precaución (incluidas las advertencias). Una indicación concreta de la precaución se indica con el símbolo.



El símbolo  indica acciones que están prohibidas. Una indicación concreta de la acción prohibida se indica con el símbolo.



El símbolo  indica que se requieren ciertas acciones. Una indicación concreta de la acción requerida se indica con el símbolo.



### ADVERTENCIA



• Instale este producto en el proyector antes de instalar el proyector en el techo o en la pared. Si este producto se configura después de instalar el proyector en el techo o en la pared, la unidad de la cámara puede no estar correctamente fijada y puede provocar una caída y causar accidentes. Al mismo tiempo, podrían producirse daños en la unidad de la cámara.



• Asegúrese de apretar los tornillos tras la fijación en la unidad de la cámara. Si los tornillos no están apretados con seguridad la cámara podría caerse y producir lesiones. Al mismo tiempo, podría causar daños en la unidad de la cámara.



• No sujete la unidad de la cámara para mover el proyector y no aplique una fuerza excesiva a la unidad de la cámara. Podría provocar daños en la unidad de la cámara y provocar lesiones.



• No coloque este producto en las siguientes condiciones:

- cerca de agua, baños o habitaciones húmedas.
- bajo la luz directa del sol, cerca de calefacciones o dispositivos que radien calor.
- en un entorno polvoriento, con humo o con vapor.
- en lugar de alta temperatura



• No modifique ni desensamble el lápiz óptico. Asegúrese de no someter el lápiz óptico a golpes ni lo doble. Podría causar daños en el lápiz óptico y provocar lesiones.

# Nota

---

- Utilice una pantalla dura y plana con un tamaño de 100 pulgadas o inferior.
- La punta del lápiz óptico puede rayar algunas superficies de pantalla. Antes de usar el lápiz óptico, pruébelo en una parte no visible de la pantalla para asegurarse de que su punta no dañará la superficie de la pantalla.
- No utilice el lápiz óptico en las zonas descritas a continuación.  
Podría causar el mal funcionamiento del lápiz óptico.
  - En zonas donde a la superficie de la pantalla y a la unidad de la cámara les de la luz solar directa.
  - En zonas donde a la superficie de la pantalla y a la unidad de la cámara les de la luz directa de lámparas halógenas o de incandescencia.
  - En caso de que se empleen materiales reflectantes de la luz dentro del área de funcionamiento del lápiz óptico. (p. ej. el marco de la pantalla)
- No utilice el lápiz óptico en los ambientes descritos a continuación. Podría causar el mal funcionamiento del lápiz óptico.
  - Cuando se utilice un control remoto infrarrojo.
- El rango de temperatura de operación garantizado para el uso del lápiz óptico es de 5 °C a 40 °C (41 °F a 104 °F).
- Al instalar o desinstalar la unidad de la cámara, no extraiga ningún tornillo que no haya sido especificado.

## Desecho de este producto

---

- Al desechar este producto, póngase en contacto con la tienda donde adquirió el equipo o con las autoridades locales para obtener instrucciones.

## Características

---

- Función de pizarra electrónica interactiva  
Mediante la combinación con el software de dibujo, la pizarra o la pared pueden utilizarse como pizarras interactivas, y podrá tomar notas manuscritas o dibujar imágenes en la pantalla con el lápiz óptico suministrado.  
Además, mediante una combinación con el Módulo Táctil (NP01TM, vendido por separado), permite dibujar sobre la pizarra o pared con su dedo.  
Proyectores compatibles:
  - UM330X, UM280X, UM330W, UM280W
  - UM351W, UM301W, UM361X, UM301X
  - U321H

\* Fije en este producto sólo en los proyectores compatibles anteriormente mencionados y el soporte exclusivo.
- Una o más personas pueden tomar notas o dibujar imágenes con lápices ópticos al mismo tiempo  
Dos lápices ópticos vienen suministrados como estándar con el producto. El lápiz óptico también está disponible como accesorio opcional (NP02Pi).  
Con el producto, pueden usarse al mismo tiempo hasta un máximo de 10 lápices ópticos.  
Sin embargo, este número puede variar dependiendo del software de dibujo utilizado.  
Para obtener información sobre el uso del software de dibujo, consulte el manual del usuario incluido con el software de dibujo.
- Función de calibración automática  
El ajuste de posición se realiza fácilmente gracias a la función de calibración automática.



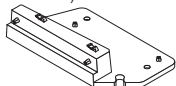
# Artículos incluidos

Asegúrese de que la caja contiene los artículos indicados. Si falta alguna pieza, póngase en contacto con su distribuidor.

- Unidad de cámara x 1



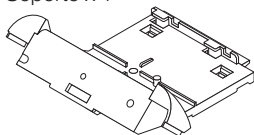
- Adjunto x 1 (Modelo de aplicación: U321H)



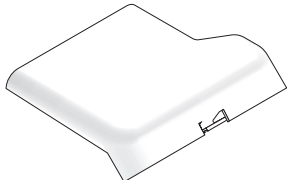
- Junta x 1 (Modelo de la aplicación: U321H)



- Soporte x 1

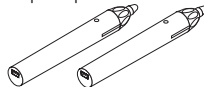


- Cubierta x 1

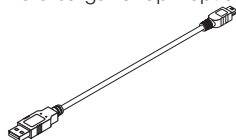


El soporte y la cubierta están montados.

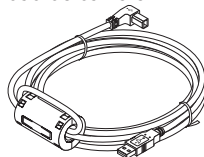
- Lápiz óptico x 2



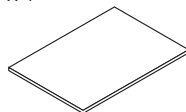
- Cable USB x 1  
Para cargar el lápiz óptico



- Cable USB (4,5 m/14,8 pies) x 1  
Para conectar el ordenador con la unidad de cámara



- Manual de instalación (este documento) x 1



- Tornillo (M3) x 4



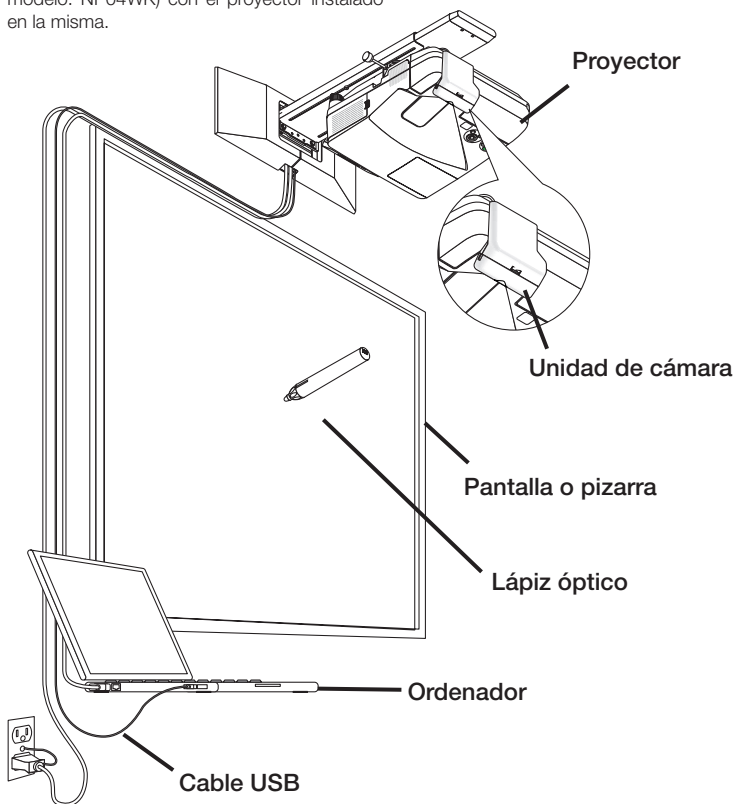
## NOTA

- Descargue el controlador y el software de calibración desde nuestro sitio web para su instalación en el ordenador.  
URL: <http://www.nec-display.com/dl/en/index.html>
- El software de dibujo es necesario para utilizar la función de pizarra interactiva.  
No se incluye ningún software de dibujo con el producto. Adquiera un software de dibujo comercialmente disponible.

# Nombres de pieza

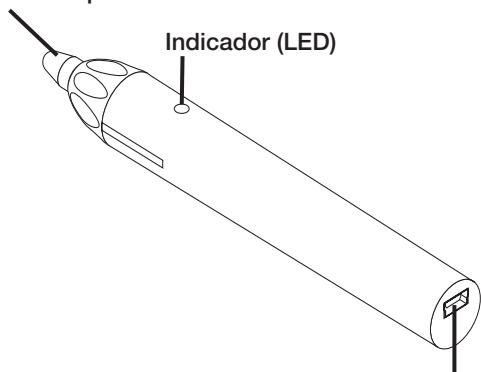
---

El diagrama muestra un ejemplo de la unidad de montaje en pared opcional (nombre de modelo: NP04WK) con el proyector instalado en la misma.



## Denominación de las partes del lápiz óptico suministrado

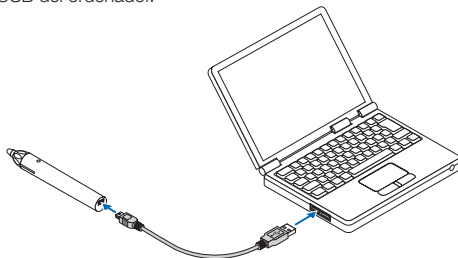
Punta del lápiz



Puerto de carga (USB)

## Carga del lápiz óptico

Utilice el cable USB de carga del lápiz óptico suministrado para conectar el puerto de carga (USB) del lápiz óptico al puerto USB del ordenador.



El lápiz óptico comenzará a cargarse. La carga finalizará en aproximadamente 3 minutos.

- Al pulsar la punta del lápiz contra una pantalla o pizarra, el indicador LED se volverá de color rojo, lo cual indica que la carga ha finalizado y que ya puede utilizar el lápiz óptico. Si el LED rojo se apaga, cargue el lápiz óptico.

## Precauciones sobre el uso del lápiz óptico

- No dañe el lápiz óptico dejándolo caer al suelo ni manipulándolo incorrectamente.
- Mantenga el lápiz óptico alejado del agua y de otros líquidos. Si el lápiz óptico se moja, límpielo y séquelo inmediatamente.
- Evite el calor y la humedad cuando sea posible.

# Procedimiento de configuración

## Flujo de configuración

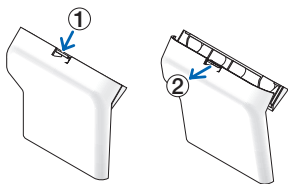
1. Conecte el cable USB y el soporte a la unidad de la cámara.
2. Asegure la unidad de la cámara en el proyector.  
\* El procedimiento de fijación para el U321H difiere de otros modelos.
3. Monte la cubierta en el soporte.
4. Conecte el proyector al ordenador.
5. Encienda el proyector y ajuste la posición y el enfoque de la imagen proyectada.
6. Conecte el cable USB al terminal en el que se ha conectado al ordenador con la unidad de la cámara.
7. Instale el controlador y el software de calibración en el ordenador y realice la calibración.

## Advertencia

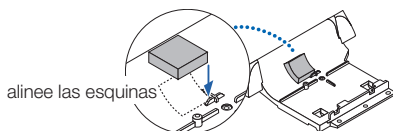
- Instale este producto en el proyector antes de instalar el proyector en el techo o en la pared. Si este producto se configura después de instalar el proyector en el techo o en la pared, es posible que la unidad de la cámara no esté fijada correctamente y podría causar su caída y provocar lesiones. Al mismo tiempo, podría causar daños en la unidad de la cámara.
- Asegúrese de apretar los tornillos tras la fijación en la unidad de la cámara. Si los tornillos no están apretados con seguridad la cámara podría caerse y producir lesiones. Al mismo tiempo, podría causar daños en la unidad de la cámara.
- No sujete la unidad de la cámara para mover el proyector y no aplique una fuerza excesiva a la unidad de la cámara. Podría provocar daños en la unidad de la cámara y provocar lesiones.

### Preparación:

- Prepare un destornillador de cabezal variable
- A pesar de que el soporte y la cubierta han estado en condición acoplada para el envío, retire el soporte presionando el botón de la cubierta.



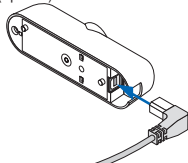
Para fijar en el U321H, necesita sellar la junta en el soporte. Despegue el papel de liberación de la parte posterior de la junta y colóquela en la posición con punta de flecha en la ilustración.



## 1. Conecte el cable USB y el soporte a la unidad de la cámara.

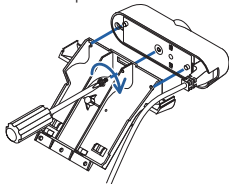
### ① Conecte el cable USB y el soporte a la unidad de la cámara.

Conecte el terminal en forma de L del cable USB suministrado (4,5 m/14,8 pies) al puerto USB (tipo B) en la unidad de la cámara.



### ② Asegure la unidad de la cámara en el soporte.

Enganche los dos salientes en la unidad de la cámara en los agujeros de fijación del soporte y alinee la posición de los tornillos. Fije la unidad de la cámara mediante un tornillo.



## 2. Asegure la unidad de la cámara en el proyector.

\* El procedimiento de fijación del U321H difiere de otros modelos, UM351W, UM301W, UM361X, UM301X, UM330X, UM280X, UM330W y UM280W

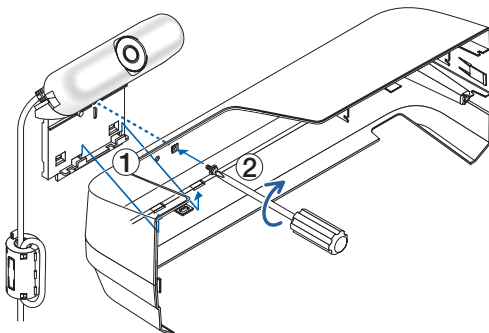
### Para UM351W/UM301W/UM361X/UM301X/UM330X/UM280X/UM330W/UM280W

- Extraiga la cubierta para cables si está instalada en el proyector. Por favor, siga las instrucciones que aparecen en el manual del usuario del proyector para el montaje/desmontaje de la cubierta de cables.
- Requiere un tornillo.

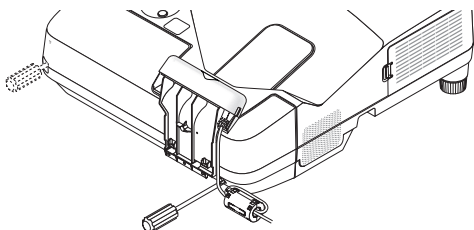
### ① Asegure la unidad de la cámara en la cubierta de cables.

Desde el lado exterior de la cubierta para cables, enganche los dos salientes en el soporte en los orificios de fijación de la cubierta del cable y, a continuación, alinee la posición de los orificios de fijación.

Apriete estos con un tornillo colocado desde el interior de la cubierta para cables.



- ② Fije la cubierta del cable en el proyector.

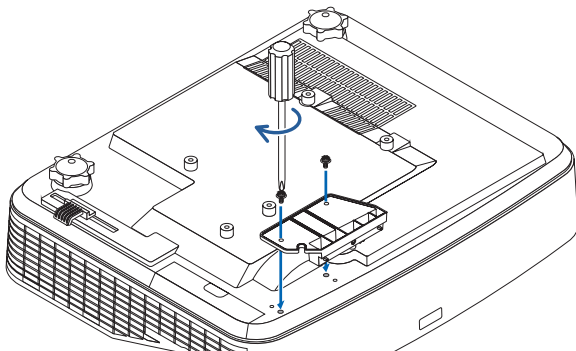


### Para U321H

Requiere tres tornillos y el accesorio.

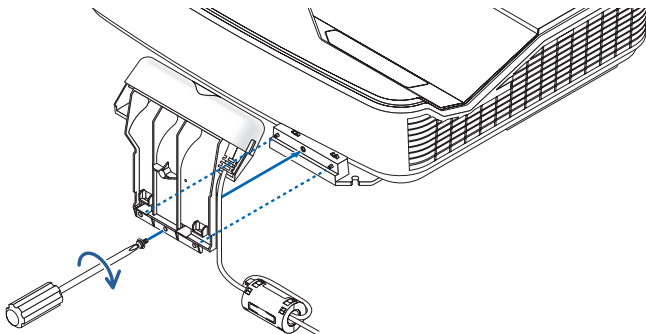
- ① Instale el accesorio en el proyector.

Coloque la cara inferior del proyector hacia arriba y empuje los dos salientes en el accesorio en los orificios de fijación del proyector y, a continuación, alinee la posición de los orificios de fijación. Apriételes mediante dos tornillos.



- ② Asegure la unidad de la cámara en el accesorio.

Coloque el proyector cara arriba y enganche los dos salientes en el soporte en los agujeros de fijación del mismo y, a continuación, alinee la posición de los orificios de fijación. Apriételes mediante un tornillo.

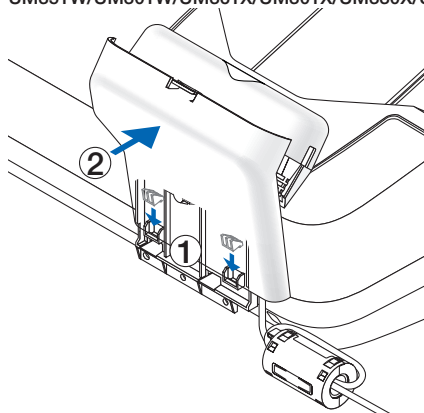


### 3. Monte la cubierta en el soporte.

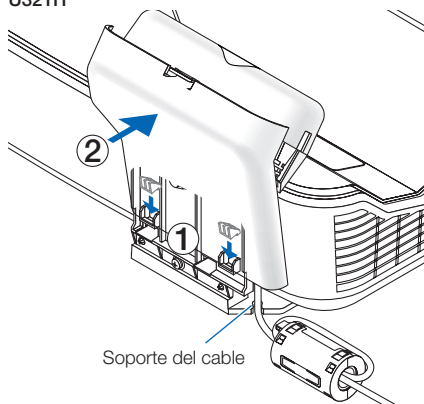
Presione los ganchos que hay en la parte inferior de la cubierta en los orificios de fijación de la unidad de soporte hasta que se oiga un clic.

Coloque el cable USB dentro de la cubierta. Para el U321H, coloque el cable USB a través de la muesca como el soporte de cable.

UM351W/UM301W/UM361X/UM301X/UM330X/UM280X/ UM330W/UM280W

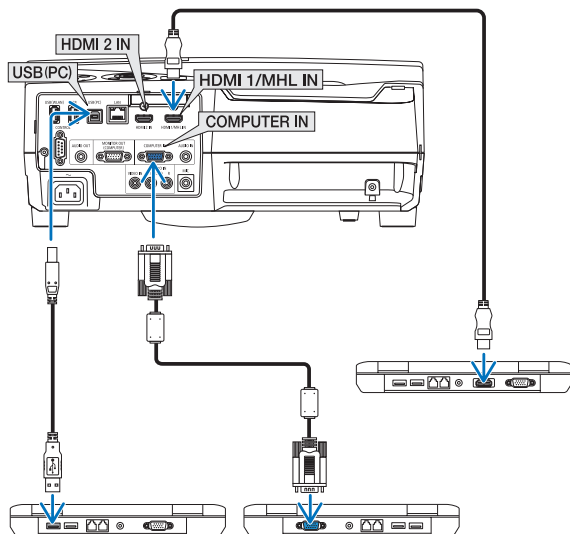


U321H



#### 4. Conecte el proyector al ordenador.

El proyector puede conectarse a un ordenador usando el cable del ordenador (suministrado con el proyector) o un cable HDMI comercialmente disponible.



#### 5. Encienda el proyector y, a continuación, ajuste la posición/ enfoque de la imagen proyectada.

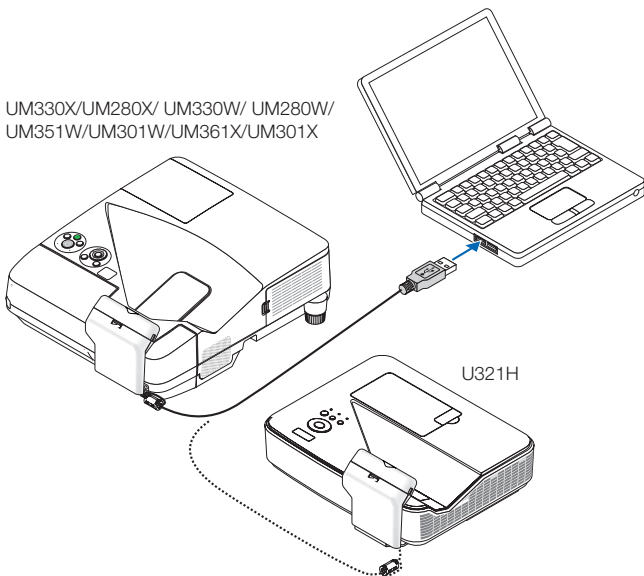
Para el procedimiento de ajuste, consulte el manual del usuario del proyector.

#### 6. Conecte el ordenador y la unidad de la cámara mediante el cable USB incluido.

Conecte el terminal del cable USB (4,5 m/14,8 pies) cuyo otro terminal se ha conectado con la unidad de la cámara al puerto USB (tipo A) del ordenador.



UM330X/UM280X/ UM330W/ UM280W/  
UM351W/UM301W/UM361X/UM301X



## 7. Instale el controlador y el software de calibración en el ordenador y realice la calibración

Descargue el controlador y el software de calibración desde nuestro sitio web e instálelos en el ordenador.

URL: <http://www.nec-display.com/dl/en/index.html>

El manual de instrucciones de la instalación y calibración está disponible en PDF (Portable Document Format).

Para ver o imprimir los archivos PDF es necesario Adobe Reader™.

Si no puede abrir un archivo PDF en su ordenador, debe obtener la versión actual de Adobe Reader para su SO desde la página de inicio de Adobe Systems e instalarla en su ordenador.

---

### NOTA

- El software de dibujo es necesario para utilizar la función de pizarra interactiva. No se incluye ningún software de dibujo con el producto. Adquiera un software de dibujo comercialmente disponible.
-

# Solución de problemas

---

## El lápiz óptico no funciona.

- ¿Está conectado el cable USB entre el ordenador (puerto USB tipo A) y la unidad de la cámara (puerto USB tipo B)?
- ¿Ha instalado el controlador y el software de calibración en el ordenador?
- ¿Está usando el lápiz óptico en uno de los siguientes ambientes?
  - Si a la superficie de la pantalla y/o a la unidad de la cámara les da la luz solar directa, desplace el lugar de instalación a donde no estén expuestas a la luz solar directa.
  - Si a la superficie de la pantalla y/o a la unidad de la cámara les da la luz de lámparas halógenas o de incandescencia, cambie la orientación de instalación de la pantalla y/o la unidad de cámara, o bloquee la luz de la lámpara.
  - No utilice una pantalla cuyo marco sea de un material reflectante de la luz.

La influencia de la luz externa se describe en el apartado de solución de problemas en la guía de software NP04Wi. Consulte la guía de software de la página de asistencia para nuestros proyectores que encontrará en nuestro sitio web, e instálelos en un lugar apropiado donde la luz no interfiera.

- ¿Ha colocado la unidad de la cámara en la posición correcta?
- ¿Tiene carga el lápiz óptico?

Si presiona la punta del lápiz óptico y el LED no se vuelve de color rojo, cargue el lápiz óptico.

- ¿Se encuentran el tamaño de la pantalla y la temperatura de uso dentro del rango correcto? Utilice una pantalla dentro del radio de alcance.

Utilice el lápiz óptico dentro del rango de temperatura de 5 °C a 40 °C (41 °F a 104 °F).

- ¿Está sucia la lente de la unidad de la cámara?  
Si la lente está sucia, límpiela con un paño suave, seco y sin pelusa.

## Las líneas trazadas con el lápiz óptico no coinciden con la pantalla.

- ¿Ha calibrado correctamente el sensor?
- Si realizar la calibración automáticamente no resuelve el problema, intente realizar la calibración manualmente.

# Especificaciones

---

## Unidad de cámara

- Terminal de entrada: USB tipo B x 1
- Consumo de energía: 120 mA/5 V, 600 mW
- Peso: 70 g/2,5 oz
- Dimensiones externas: 135 (An.) x 32 (Al.) x 36 (Pr.) mm/5,3" (An.) x 1,3" (Al.) x 1,4" (Pr.) (excluyendo partes salientes)
- Rango efectivo: 60" a 100"
- Temperatura y humedad de funcionamiento: 5 °C a 40 °C (41 °F a 104 °F)/20 % a 80 % (sin condensación)
- Temperatura y humedad de almacenamiento: -10 °C a 50 °C (14 °F a 122 °F)/20 % a 80 % (sin condensación)

## Lápiz óptico

- Peso: 25 g/0,9 oz
- Suministro de alimentación: Tipo de carga (ultracondensador)
- Tiempo de carga: 3 minutos
- Número aproximado de cargas de la batería: 100.000
- Tiempo de funcionamiento: aprox. 2 horas
- Temperatura y humedad de funcionamiento: 5 °C a 40 °C (41 °F a 104 °F)/20 % a 80 % (sin condensación)
- Temperatura y humedad de almacenamiento: - 10 °C a 50 °C (14 °F a 122 °F)/20 % a 80 % (sin condensación)

Kit de Quadro Branco Interativo

# NP04Wi

---

## Manual de Instalação

### ÍNDICE

Introdução .....	POR-2
Leia isto antes de iniciar.....	POR-3
Nota .....	POR-4
Descarte deste produto .....	POR-4
Características.....	POR-4
Itens embalados .....	POR-5
Nomes das peças .....	POR-6
Procedimento da Instalação .....	POR-8
Solução de problemas.....	POR-14
Especificações .....	POR-14

# Introdução

---

Muito obrigado por comprar o Quadro Branco Interativo NEC (Nome do Modelo: NP04Wi). Conectando um projetor NEC a este produto, o quadro ou parede brancos podem ser usados como seu quadro branco interativo.

A caneta estilete fornecida tem um armazenamento de carga com supercapacitor embutido. Carregue o supercapacitor por 3 minutos antes de usar a caneta estilete pela primeira vez.

Este manual usa o exemplo de conexão com o UM351W.

Os termos HDMI e HDMI High-Definition Multimedia Interface, e o HDMI Logo são marcas comerciais ou registradas da HDMI Licensing LLC nos Estados Unidos e em outros países.

## Descarte do seu produto usado



A legislação ampla da UE tal como implementada em cada Estado Membro exige que produtos elétricos e eletrônicos que tragam a marca (esquerda) sejam descartados separadamente do lixo doméstico normal. Quando você descartar estes produtos, por favor siga a orientação de sua autoridade local e/ou pergunte na loja onde você adquiriu o produto.

Depois de coletados os produtos usados, eles são reutilizados e reciclados de maneira adequada. Este esforço ajudar-nos-á a reduzir a um nível mínimo os resíduos bem como o impacto negativo para a saúde humana e para o ambiente, tal como o do mercúrio contido em algumas peças.

A marca nos produtos elétricos e eletrônicos somente se aplica aos atuais Estados Membros da União Europeia.

## Descarte de pilhas e baterias (Apenas para o Brasil)

Apos o uso, as pilhas/baterias NÃO podem ser dispostas em lixo doméstico, nem descartadas a céu aberto ou em corpos d'água, conforme Resolução CONAMA 401/08. Em respeito ao meio ambiente, a NEC tem como boa pratica a coleta de pilhas e baterias, dando a destinação adequada das mesmas.

PARA SUA SEGURANÇA, NÃO AS INCINERE.

Para mais informação de contactos, refi ra-se à contracapa.

## Precauções

- (1) É proibida a reimpressão não autorizada do conteúdo deste manual.
- (2) O conteúdo deste manual está sujeito a alterações futuras sem aviso prévio.
- (3) O conteúdo deste manual foi preparado com atenção meticulosa, mas agradecemos que notifique a NEC se tiver quaisquer dúvidas ou notar quaisquer erros ou omissões.
- (4) Favor observar que a NEC não aceitará qualquer responsabilidade por reclamações, danos, perda de ganhos, etc., resultantes da utilização deste produto, independentemente do artigo (3) acima.
- (5) A NEC substituirá quaisquer manuais que apresentem uma comparação incorreta ou falta de páginas.

# Leia isto antes de iniciar

## Sobre os pictogramas

Para assegurar a utilização correta e segura do produto, este manual de instalação usa alguns pictogramas para evitar lesões a você e a terceiros, bem como danos à propriedade.

Os pictogramas e seus significados são descritos abaixo. Certifique-se de entendê-los completamente antes de ler este manual.



**AVISO**

A não observância deste pictograma e manuseio do produto erradamente poderá resultar em acidentes que levem à morte ou ferimento grave.




**ATENÇÃO**


A não observância deste pictograma e manuseio do produto erradamente, poderá resultar em acidente pessoal ou dano à propriedade circundante.

## Exemplos de pictogramas




O símbolo  indica instruções recomendando cuidado (incluindo avisos). Uma indicação concreta do cuidado é dada dentro do símbolo.



O símbolo  indica ações proibidas. Uma indicação concreta da ação proibida é dada dentro do símbolo.



O símbolo  indica as ações necessárias. Uma indicação concreta da ação necessária é dada dentro do símbolo.



**AVISO**



• Configure este produto no projetor antes de instalar o projetor no teto ou na parede. Se esse produto for configurado depois de instalar o projetor no teto ou na parede, a unidade da câmera poderá não ser fixada corretamente e poderá cair, resultando em ferimentos. Ao mesmo tempo, poderá causar danos na unidade da câmera.



• Aperte os parafusos depois de fixar a unidade da câmera. Se os parafusos não estiverem apertados com firmeza, a unidade da câmera poderá cair e provocar ferimentos. Ao mesmo tempo, poderá causar danos na unidade da câmera.



• Não segure a unidade da câmera para mover o projetor nem aplique força excessiva à unidade. Poderá causar danos na unidade da câmera e resultar em ferimentos.



• Não coloque este produto nas seguintes condições:

- próximo de água, banheiros ou ambientes úmidos.
- sob luz solar direta, próximo de aquecedores ou aparelhos que irradiam calor.
- em um ambiente empoeirado, com fumaça ou vapor.
- em local com alta temperatura



• Não desmonte nem reconstrua a caneta gráfica. Não submeta a caneta gráfica a choques nem entorte-a. Poderá causar danos à caneta resultando em ferimentos.

# Nota

---

- Use uma tela plana e dura com um tamanho de 100 polegadas ou menos.
- Alguns tipos de superfícies de tela poderão ser riscadas pela ponta da caneta estilete. Antes de usar a caneta estilete, teste-a numa área pouco visível da tela para assegurar que a ponta da caneta não irá danificar a superfície da tela.
- Não use a caneta estilete nas áreas mencionadas abaixo.  
Pode causar mau funcionamento da caneta.
  - Na área, a luz direta do sol atinge a superfície da tela e a unidade da câmera.
  - Na área, a luz das lâmpadas halógenas ou incandescentes atingem diretamente a superfície da tela e a unidade da câmera.
  - No caso, o material que reflete a luz é usado na área de operação da caneta estilete. (ex. moldura da tela)
- Não use a caneta estilete no ambiente mencionado abaixo. Pode causar mau funcionamento da caneta.
  - Quando o controle remoto infravermelho é usado.
- A faixa de temperatura operacional garantida para o funcionamento da caneta estilete é de 5° a 40 °C (41° a 104°F).
- Ao montar ou remover a unidade da câmera, não remova nenhum parafuso diferente dos especificados.

## Descarte deste produto

---

- Ao descartar este produto, entre em contato com a loja em que efetuou sua compra ou com o governo local para obter instruções.

## Características

---

- Função interativa do quadro branco eletrônico  
Combinando com o software de desenho, o quadro branco ou a parede pode ser usada como seu quadro branco interativo e você pode fazer anotações à mão ou desenhar imagens na tela com a caneta gráfica fornecida.  
E mais, combinando com o Touch Module (NP01TM vendido separadamente), é possível desenhar no quadro branco ou na parede com o dedo.  
Projetores suportados:
  - UM330X, UM280X, UM330W, UM280W
  - UM351W, UM301W, UM361X, UM301X
  - U321H\* Não fixe neste produto algo diferente dos projetores suportados listados acima e o suporte exclusivo.
- Uma ou mais pessoas podem fazer anotações ou desenhar imagens com as canetas estiletas ao mesmo tempo  
Duas canetas estiletas vêm, por padrão, com o produto. A caneta estilete também está disponível como opcional (NP02Pi).  
Até 10 canetas estiletas podem ser usadas ao mesmo tempo no produto.  
Porém, esse número irá variar dependendo do software de desenho usado.  
Para usar um software de desenho, consulte o manual do usuário incluído com o software de desenho.
- Função de calibração automática  
O ajuste da posição é feito facilmente graças à função de calibração automática.

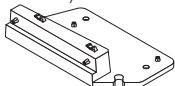
# Itens embalados

Certifique-se de que sua caixa contém tudo o que está listado. Se alguma peça estiver faltando, entre em contato com seu fornecedor.

- Unidade da câmera x 1



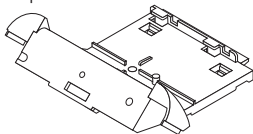
- Acessório x 1 (Modelo do aplicativo: U321H)



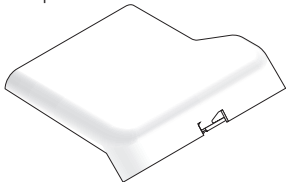
- Junta x 1 (Modelo do aplicativo : U321H)



- Suporte x 1

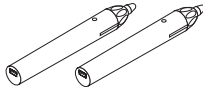


- Tampa x 1

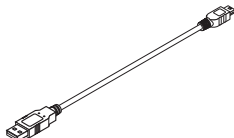


O suporte e a tampa são montados.

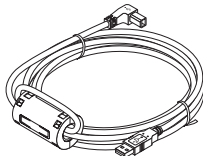
- Caneta estilete x 2



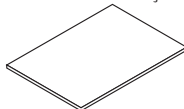
- Cabo USB x 1  
Para carregar a caneta estilete



- Cabo USB (4,5 m/14,8 pés) x 1  
Para conectar o computador à unidade da câmera



- Manual de Instalação (este documento) x 1



- Parafuso (M3) x 4



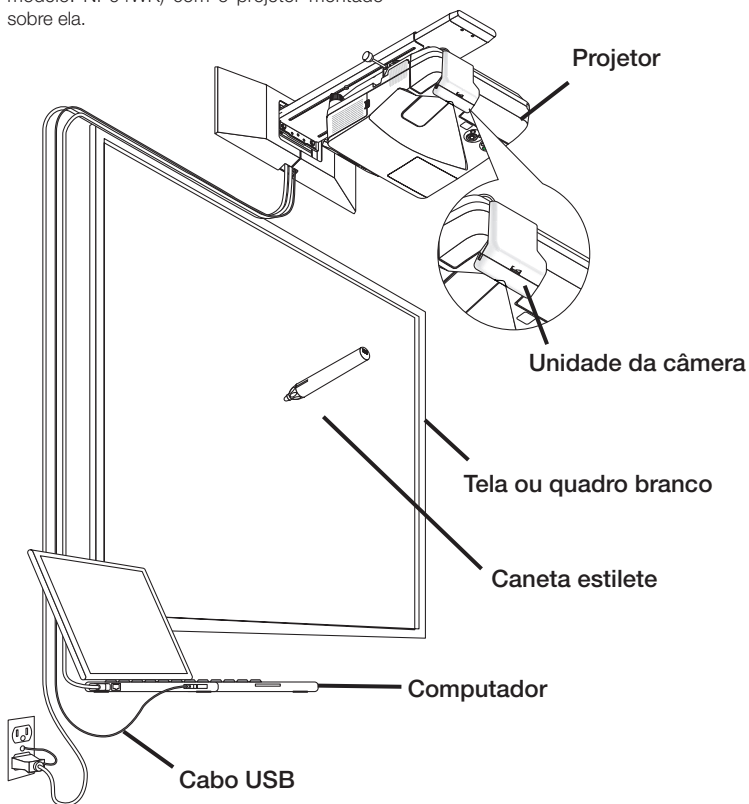
## NOTA

- Faça download do driver e do software de calibração em nosso site para instalá-los no computador.  
URL: <http://www.nec-display.com/dl/en/index.html>
- É necessário um software de desenho para usar a função do quadro branco interativo. Nenhum software de desenho é incluído no produto. Obtenha um software de desenho disponível comercialmente.

# Nomes das peças

---

O desenho mostra um exemplo da montagem opcional da unidade na parede (Nome do modelo: NP04WK) com o projetor montado sobre ela.



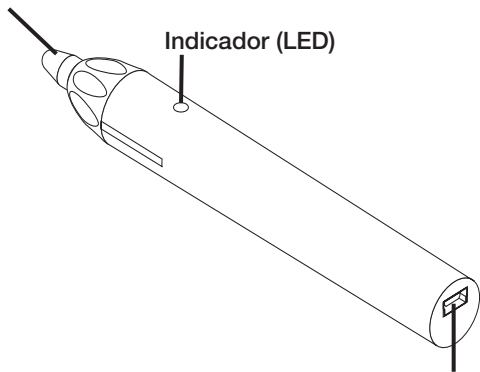


## Nomes das peças da caneta estilete fornecida

Ponta da caneta

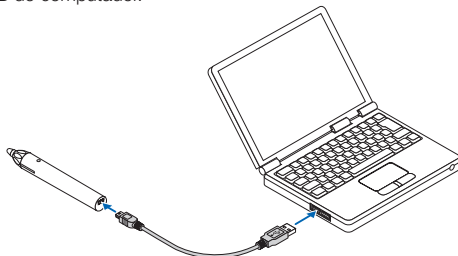
Indicador (LED)

Porta de carregamento (USB)



## Carregando a caneta estilete

Use o cabo USB fornecido para carregar a caneta estilete para conectar a porta de carregamento (USB) da caneta à porta USB do computador.



A caneta estilete começará a carregar. O carregamento terminará em cerca de 3 minutos.

- Pressionar a ponta da caneta contra uma tela ou quadro branco acenderá o LED indicador em vermelho, indicando que o carregamento está completo e você está pronto para usar a caneta estilete. Se o LED vermelho apagar, carregue a caneta estilete.

## Precauções sobre o uso da caneta estilete

- Não danifique a caneta estilete deixando-a cair no chão ou manuseando-a incorretamente.
- Mantenha a caneta estilete longe da água e de outros líquidos. Se a caneta estilete molhar, enxugue-a imediatamente.
- Evite calor e umidade sempre que possível.

# Procedimento da Instalação

## Fluxo da Instalação

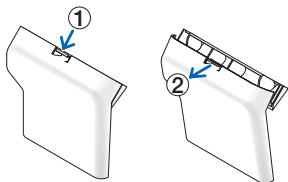
1. Conecte o cabo USB e o suporte à unidade da câmera.
2. Fixe a unidade da câmera no projetor.  
\* O procedimento de fixação do U321H é diferente dos outros modelos.
3. Coloque a tampa no suporte.
4. Conecte o projetor ao computador.
5. Ligue o projetor e ajuste a posição e o foco da imagem projetada.
6. Conecte o cabo USB no qual o terminal conectou a unidade da câmera com o computador.
7. Instale o driver e o software de calibração no computador e faça a calibração.

### **Aviso**

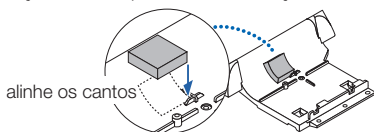
- Configure este produto no projetor antes de instalar o projetor no teto ou na parede. Se esse produto for configurado depois de instalar o projetor no teto ou na parede, a unidade da câmera poderá não ser fixada corretamente e poderá cair, resultando em ferimentos. Ao mesmo tempo, poderá causar danos na unidade da câmera.
- Aperte os parafusos depois de fixar a unidade da câmera. Se os parafusos não estiverem apertados com firmeza, a unidade da câmera poderá cair e provocar ferimentos. Ao mesmo tempo, poderá causar danos na unidade da câmera.
- Não segure a unidade da câmera para mover o projetor nem aplique força excessiva à unidade. Poderá causar danos na unidade da câmera e resultar em ferimentos.

### Preparação:

- Prepare uma chave de fenda em cruz
- Por mais que o suporte e a tampa estejam na condição engatada para o envio, remova o suporte pressionando o botão na tampa.



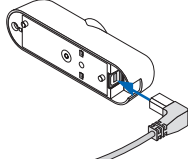
Para fixar no U321H, você precisa vedar a junta no suporte. Retire o papel na face posterior da junta e coloque na posição indicada pela seta na ilustração.



## 1. Conecte o cabo USB e o suporte à unidade da câmera.

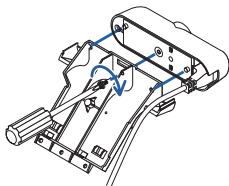
### ① Conecte o cabo USB e o suporte à unidade da câmera.

Conecte o terminal em L do cabo USB fornecido (4,5 m) à porta USB (tipo B) na unidade da câmera.



### ② Fixe a unidade da câmera no suporte.

Engate as duas saliências na unidade da câmera nos orifícios de fixação no suporte e alinhe a posição dos orifícios do parafuso. Fixe a unidade da câmera com um parafuso.



## 2. Fixe a unidade da câmera no projetor.

\* O procedimento de fixação do U321H é diferente dos outros modelos, UM351W, UM301W, UM361X, UM301X, UM330X, UM280X, UM330W e UM280W

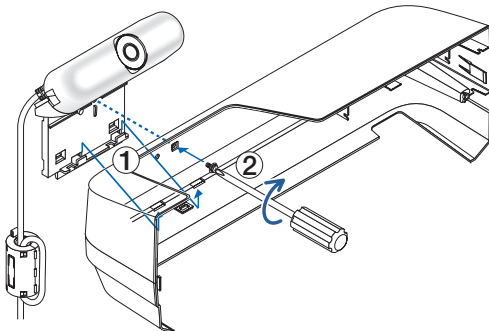
**Para UM351W/UM301W/UM361X/UM301X/UM330X/UM280X/UM330W/UM280W**

- Remova a tampa da fição se ela estiver colocada no projetor. Siga as instruções no Manual do Usuário do projetor para montar/desmontar a tampa da fição.
- Requer um parafuso.

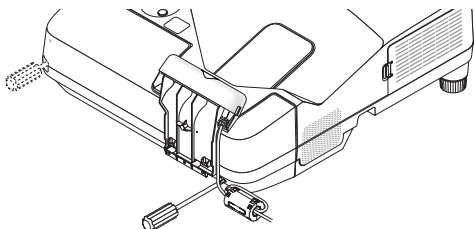
### ① Fixe a unidade da câmera na tampa da fição.

No lado externo da tampa da fição, engate as duas saliências no suporte nos orifícios de fixação na tampa, então, alinhe a posição dos orifícios de fixação.

Aperte isto com a colocação de um parafuso no interior da tampa da fição.



- ② Fixe a tampa da fiação no projetor.

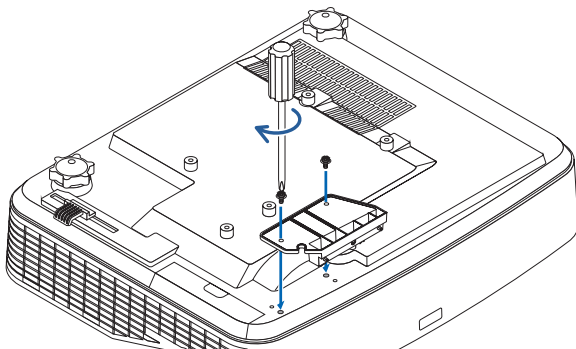


### Para U321H

Requer três parafusos e o acessório.

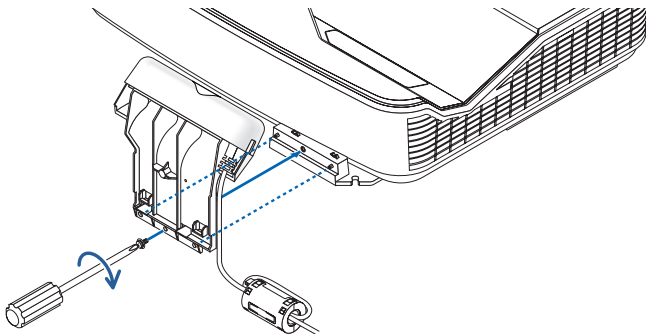
- ① Monte o acessório no projetor.

Coloque a face inferior do projetor para cima e empurre as duas saliências no acessório nos orifícios de fixação no projetor, então, alinhe a posição dos orifícios. Aperte com os dois parafusos.



- ② Fixe a unidade da câmera no acessório.

Coloque a face do projetor para cima e engate as duas saliências no suporte nos orifícios de fixação no suporte, então, alinhe a posição dos orifícios. Aperte com um parafuso.

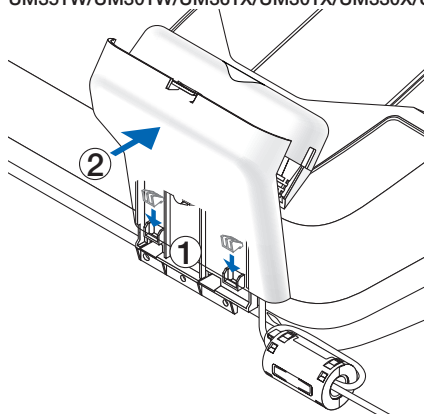


### 3. Coloque a tampa no suporte.

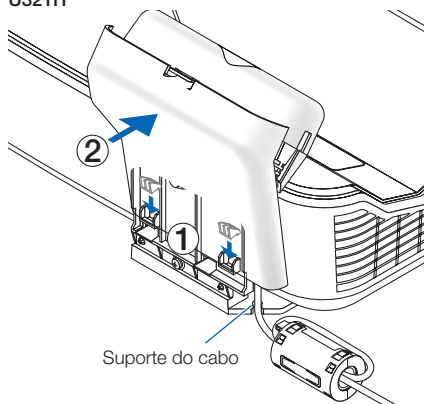
Empurre as garras na parte inferior da tampa para os orifícios de fixação no suporte até ser ouvido um clique.

Coloque o cabo USB dentro da tampa. Para o U321H, passe o cabo USB pela fenda como o suporte do cabo.

UM351W/UM301W/UM361X/UM301X/UM330X/UM280X/ UM330W/UM280W

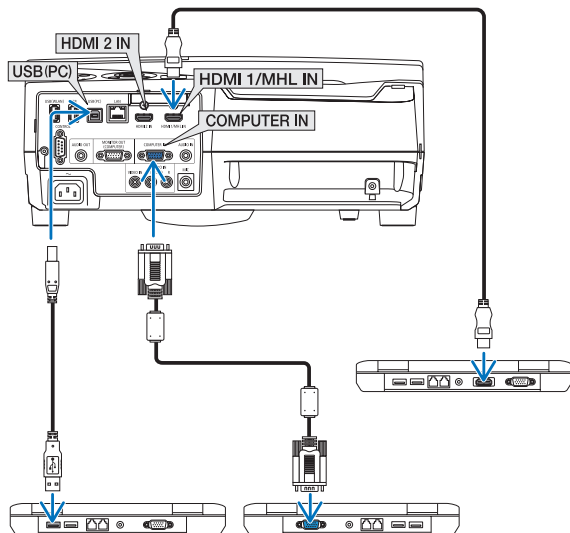


U321H



#### 4. Conecte o projetor ao computador.

O projetor pode ser conectado a um computador usando o cabo do computador (fornecido com o projetor) ou um cabo HDMI disponível comercialmente.



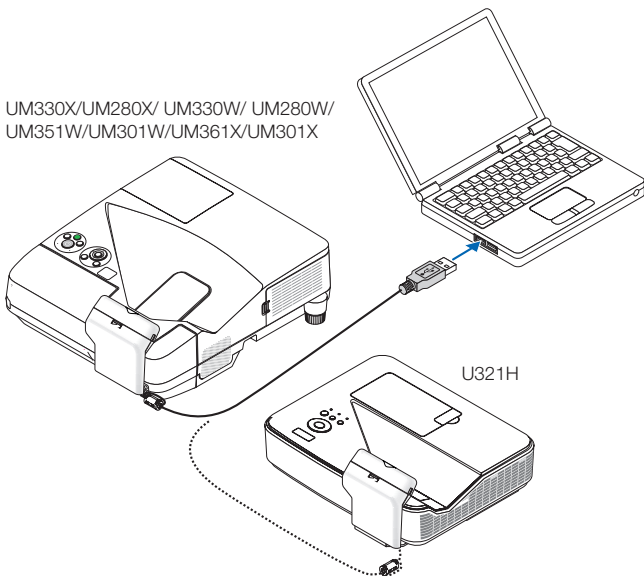
#### 5. Ligue a energia do projetor e ajuste a posição/foco da imagem projetada.

Para o procedimento de ajuste, veja o manual do usuário do projetor.

#### 6. Conecte o computador e a unidade da câmera com o cabo USB incluído.

Conecte o terminal do cabo USB (4,5 m) cujo outro terminal foi conectado com a unidade da câmera à porta USB (Tipo A) no computador.

UM330X/UM280X/ UM330W/ UM280W/  
UM351W/UM301W/UM361X/UM301X



## 7. Instale o driver e o software de calibração no computador e faça a calibração.

Faça o download do driver e do software de calibração em nosso site Web e instale-os no computador.

URL: <http://www.nec-display.com/dl/en/index.html>

O manual de operação para a instalação e a calibração está disponível em PDF (Portable Document Format).

Para exibir ou imprimir arquivos PDF, é necessário ter o Adobe Reader™.

Se você não conseguir abrir um arquivo PDF em seu computador, obtenha a versão atual do Adobe Reader para seu SO na home page da Adobe Systems e instale-o em seu computador.

---

### NOTA

- É necessário um software de desenho para usar a função do quadro branco interativo. Nenhum software de desenho é incluído no produto. Obtenha um software de desenho disponível comercialmente.
-

# Solução de problemas

---

## A caneta estilete não funciona.

- O cabo USB está conectado entre o computador (porta USB tipo A) e a unidade da câmera (porta USB tipo B)?
  - O driver e o software de calibração foram instalados em seu computador?
  - Você está usando a caneta estilete em um dos seguintes ambientes?
    - Se a luz direta do sol atingir a superfície da tela e/ou unidade da câmera, mude o local de instalação para onde não seja exposta à luz direta do sol.
    - Se a luz da lâmpada halógena e/ou incandescente atingir a superfície da tela e/ou unidade da câmera, mude a direção de instalação da tela e/ou unidade da câmera, ou bloqueie a luz da lâmpada.
    - Não use uma tela cujo material da moldura reflete a luz.
- A influência da luz externa é descrita na solução de problemas no guia do software NP04Wi. Consulte o guia do software na página de suporte para ver nossos projetores carregados em nosso site Web e configure-os em um local adequado onde não sofram influência da luz.
- A unidade da câmera está colocada na posição correta?
  - A caneta estilete está devidamente carregada?
    - Se pressionar a ponta da caneta não acender o LED em vermelho, carregue a caneta estilete.
  - O tamanho da tela e a temperatura de uso estão dentro da faixa apropriada?
    - Use uma tela dentro da faixa real.
    - Use a caneta estilete dentro de uma faixa de temperatura de 5° a 40 °C (41° a 104°F).
  - A lente da unidade da câmera está suja?
    - Se a lente estiver suja, limpe-a com um pano macio, seco e sem fiapos.

## As linhas traçadas com a caneta estilete não coincidem com a tela.

- O sensor foi corretamente calibrado?
- Se fazer a calibração automaticamente não resolver o problema, tente calibrar manualmente.

# Especificações

---

## Unidade da câmera

- Terminal de entrada: USB Tipo B x 1
- Consumo de energia: 120 mA/5 V, 600 mW
- Peso: 70 g/2,5 oz
- Dimensões externas: 135 (L) x 32 (A) x 36 (P) mm/5,3" (L) x 1,3" (A) x 1,4" (P) (não incluindo as saliências)
- Faixa real: 60" a 100"
- Temperatura e umidade de operação: 5° a 40 °C (41° a 104°F)/20% a 80% (sem condensação)
- Temperatura e umidade de armazenamento: -10° a 50 °C (14° a 122°F)/20% a 80% (sem condensação)

## Caneta estilete

- Peso: 25 g/0,9 oz
- Fornecimento de energia: Tipo de carregamento (supercapacitor)
- Tempo de carregamento: 3 minutos
- Número estimado de carregamento da bateria: 100.000
- Tempo de operação: cerca de 2 horas
- Temperatura e umidade de operação: 5° a 40 °C (41° a 104°F)/20% a 80% (sem condensação)
- Temperatura e umidade de armazenamento: -10° a 50 °C (14° a 122°F)/20% a 80% (sem condensação)



Комплект для подключения интерактивной белой доски

## NP04Wi

---

### Руководство по установке

#### СОДЕРЖАНИЕ

Введение.....	RUS-2
Прочтите это перед началом работы.....	RUS-3
Примечание .....	RUS-4
Утилизация изделия .....	RUS-4
Характеристики.....	RUS-4
Содержание упаковки .....	RUS-5
Названия частей.....	RUS-6
Процедура настройки.....	RUS-8
Поиск и устранение неисправностей.....	RUS-14
Технические характеристики.....	RUS-14

# Введение

---

Благодарим Вас за приобретение интерактивной белой доски NEC (Модель: NP04Wi).

При подключении проектора NEC к данному изделию, можно использовать белую доску или стену в качестве интерактивной белой доски.

Прилагаемый стилус имеет встроенный суперконденсатор сохранения заряда. Зарядите суперконденсатор в течение 3 минут перед использованием стилуса в первый раз.

В данном руководстве используется пример подключения с UM351W.

Термины HDMI, HDMI High-Definition Multimedia Interface и логотип HDMI являются торговыми марками или зарегистрированными торговыми знаками HDMI Licensing LLC в США и других странах.

## Утилизация использованного изделия



В соответствии с требованиями Европейского законодательства, действующего в каждом из государств-членов, использованные электронные и электрические устройства, имеющие знак (на рисунке слева), должны утилизироваться отдельно от обычных бытовых отходов.

При утилизации таких изделий, пожалуйста, следуйте рекомендациям местных органов власти и/или обратитесь в магазин, в котором Вы приобрели изделие.

Собранные использованные изделия перерабатываются и используются вторично соответствующим образом. Эти действия помогут нам уменьшить количество отходов, а также поддерживать на минимальном уровне вредное воздействие таких веществ, как ртуть, содержащаяся в деталях устройств, на здоровье человека и окружающую среду.

Обозначение на электрических и электронных изделиях действительно только для действующих государств-членов Европейского Союза.



## Предостережения



- (1) Незаконное переиздание содержания данного руководства запрещено.
- (2) Содержание данного руководства может изменяться в будущем без уведомления.
- (3) Содержание данного руководства было тщательно подготовлено, однако если у Вас возникнут сомнения или Вы заметите какие-либо ошибки или пропуски, пожалуйста, проинформируйте об этом компанию NEC.
- (4) Пожалуйста, имейте в виду, что компания NEC не будет нести никакой ответственности за требования об убытках, неполученном доходе и т.п., возникающих вследствие использования данного изделия, невзирая на положения статьи (3) выше.
- (5) NEC заменит любые руководства с неправильной комплектровкой или пропущенными страницами.

# Прочтите это перед началом работы

## О пиктограммах


Чтобы обеспечить безопасное и правильное использование данного изделия, в настоящем руководстве по установке используется ряд пиктограмм для предотвращения травматизма для Вас и других лиц, а также повреждения имущества.

Пиктограммы и их значения представлены ниже. Обязательно полностью поймите их, прежде чем прочесть данное руководство.


 <b>ПРЕДУПРЕЖДЕНИЕ</b>	Игнорирование данной пиктограммы и неправильное обращение с изделием могут привести к несчастным случаям, влекущим смерть или серьезные травмы.
 <b>ОСТОРОЖНО</b>	Игнорирование данной пиктограммы и неправильное обращение с изделием могут привести к телесным травмам или повреждению имущества, находящегося рядом.

## Примеры пиктограмм




Символ  обозначает инструкции, требующие осторожности (включая предупреждения).  
Конкретное указание предостережения дается внутри этого символа.



Символ  обозначает запрещенные действия.  
Конкретное указание запрещенного действия дается внутри этого символа.



Символ  обозначает необходимые действия.  
Конкретное указание необходимого действия дается внутри этого символа.



## ПРЕДУПРЕЖДЕНИЕ



- Установите данный продукт на проектор перед установкой проектора на потолок или стену. Если данное изделие установлено после установки проектора на потолок или стену, камера может быть прикреплена ненадежно и может упасть, что приведет к травме. В то же время, это может стать причиной повреждения камеры.



- Обязательно закрепите винты после того, как зафиксируете камеру. Если винты не закреплены должным образом, камера может упасть и привести к травме. В то же время, это может стать причиной повреждения камеры.



- Не держите камеру для перемещения проектора и не применяйте чрезмерную силу к ней. Это может стать причиной повреждения камеры и привести к травме.



- Не устанавливайте данное изделие при следующих условиях:
  - вблизи воды, ванн или влажных помещений.
  - под прямыми солнечными лучами, рядом с нагревателями или приборами, излучающими тепло.
  - в среде, заполненной пылью, дымом или паром.
  - в местах с высокой температурой



- Не разбирайте и не модифицируйте стилус. Не подвергайте стилус ударам и не сгибайте его. Это может стать причиной повреждения стилуса и привести к травме.

## Примечание

---

- Используйте широкий экран твердого типа с размером экрана в 100 дюймов или менее.
- Некоторые поверхности экрана могут быть поцарапаны стилусом. Перед использованием стилуса проверьте его в незаметной части экрана, чтобы убедиться, что стилус не повредит поверхность экрана.
- Не используйте стилус в упомянутых ниже местах.  
Это может привести к неправильной работе стилуса.
  - В местах, где прямой солнечный свет падает на поверхность экрана и киноустановку.
  - В местах, где свет от галогенных ламп или ламп накаливания падает непосредственно на поверхность экрана и киноустановку.
  - В случае, если в пределах рабочей зоны стилуса используются материалы, отражающие свет. (например, рама экрана)
- Не используйте стилус при указанных ниже условиях. Это может привести к неправильной работе стилуса.
  - Когда используется инфракрасное дистанционное управление.
- Гарантированный диапазон рабочей температуры для работы стилуса составляет от 5° до 40° С.
- При монтаже или демонтаже камеры не удаляйте винты, отличные от тех, которые указаны.

## Утилизация изделия

---

- При утилизации данного изделия обратитесь в тот магазин, где оно было приобретено, или в местные органы власти для получения инструкций.

## Характеристики

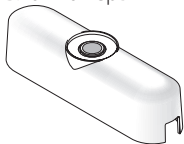
---

- Функция интерактивной электронной белой доски  
Путем комбинирования с ПО рисования, доска или стена может использоваться в качестве интерактивной доски, и Вы можете делать рукописные заметки или рисовать изображения на экране с помощью прилагаемого стилуса.  
Более того, посредством комбинации с сенсорным модулем (NP01TM продается отдельно), позволяет рисовать на белой доске или стене пальцем.  
Поддерживаемые проекторы:
  - UM330X, UM280X, UM330W, UM280W
  - UM351W, UM301W, UM361X, UM301X
  - U321H
  - \* Не фиксируйте на данном продукте поддерживаемые проекторы, отличные от вышеперечисленных, и специальный держатель.
- Один или несколько человек могут делать заметки или рисовать картинки с помощью стилусов одновременно  
С изделием стандартно поставляются два стилуса. Стилус также доступен в качестве опции (NP02Pi). С данным изделием можно использовать одновременно до 10 стилусов.  
Однако, эта цифра может варьироваться в зависимости от используемого программного обеспечения для рисования.  
Для использования программного обеспечения для рисования смотрите руководство пользователя, которое включено в программное обеспечение для рисования.
- Функция автоматической калибровки  
Регулировка положения легко осуществляется благодаря функции автоматической калибровки.

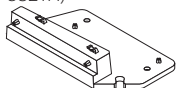
# Содержание упаковки

Проверьте наличие в коробке нижеперечисленных частей. При отсутствии каких-либо частей обратитесь к своему дилеру.

- Блок камеры x 1



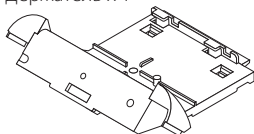
- Крепление x 1 (Применимая модель: U321H)



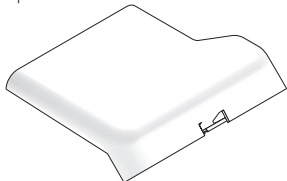
- Прокладка x 1 (Применимая модель: U321H)



- Держатель x 1

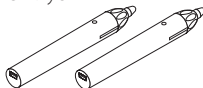


- Крышка x 1

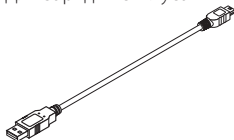


Держатель и крышка собраны.

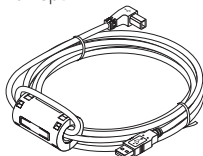
- Стилус x 2



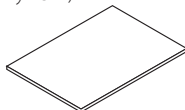
- USB-кабель x 1  
Для зарядки стилуса



- USB-кабель (4,5 м) x 1  
Для подключения компьютера к блоку камеры



- Руководство по установке (данный документ) x 1



- Винт (M3) x 4



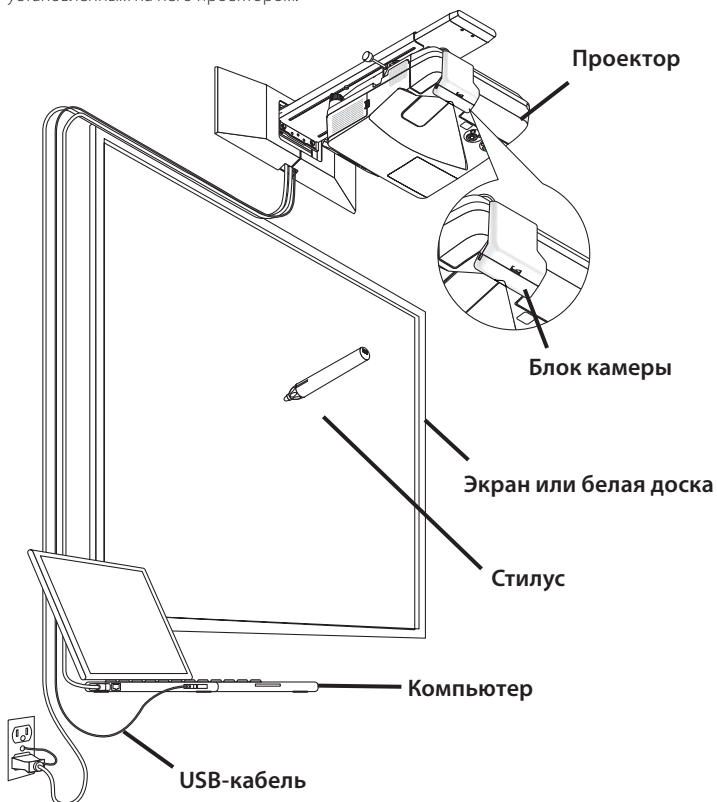
## ПРИМЕЧАНИЕ

- Загрузите драйвер и программное обеспечение калибровки с нашего веб-сайта, чтобы установить их на компьютер.  
URL: <http://www.nec-display.com/dl/en/index.html>
- Требуется программное обеспечение для рисования, чтобы использовать функцию интерактивной белой доски.  
С изделием не поставляется программное обеспечение для рисования. Приобретите коммерчески доступное программное обеспечение для рисования.

# Названия частей

---

На рисунке показан пример дополнительного настенного крепления (Модель: NP04WK) с установленным на него проектором.

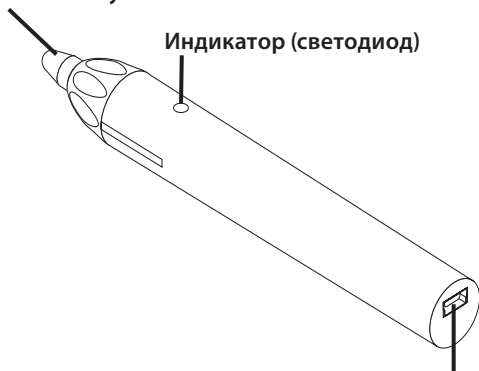


## Названия частей прилагаемого стилуса

Кончик стилуса

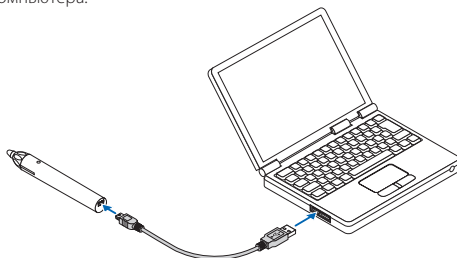
Индикатор (светодиод)

Порт для зарядки (USB)



## Зарядка стилуса

Используйте прилагаемый USB-кабель для подзарядки стилуса, чтобы подсоединить зарядный порт (USB) стилуса к USB-порту компьютера.



Начнется зарядка стилуса. Зарядка завершится примерно через 3 минуты.

- При нажатии кончиком стилуса на экран или белую доску светодиодный индикатор загорится красным, указывая на то, что зарядка завершена и Вы можете использовать стилус. Если красный светодиодный индикатор выключится, зарядите стилус.

## Меры предосторожности при использовании стилуса

- Не роняйте стилус и не используйте его не по назначению.
- Держите стилус подальше от воды и других жидкостей. Если стилус намок, вытрите его немедленно.
- По возможности избегайте тепло и влагу.

# Процедура настройки

## Порядок настройки

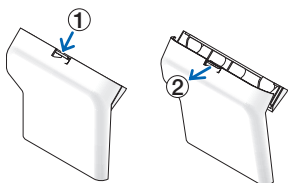
1. Подключите USB-кабель и держатель к камере.
2. Закрепите камеру на проекторе.  
\* Процедура закрепления для U321H отличается от других моделей.
3. Установите крышку на держатель.
4. Подключите проектор к компьютеру.
5. Включите проектор и отрегулируйте положение и фокус проецируемого изображения.
6. Подключите USB-кабель, разъем которого подключен к камере, к компьютеру.
7. Установите драйвер и ПО калибровки на компьютер и выполните калибровку.

## Предупреждение

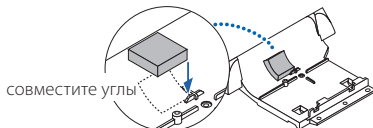
- Установите данный продукт на проектор перед установкой проектора на потолок или стену. Если данное изделие установлено после установки проектора на потолок или стену, камера может быть не прикреплена надежно и может упасть, что приведет к травме. В то же время, это может стать причиной повреждения камеры.
- Обязательно закрепите винты после того, как зафиксируете камеру. Если винты не закреплены должным образом, камера может упасть и привести к травме. В то же время, это может стать причиной повреждения камеры.
- Не держите камеру для перемещения проектора и не применяйте чрезмерную силу к ней. Это может стать причиной повреждения камеры и привести к травме.

### Подготовка:

- Подготовьте отвертку
- Однако, держатель и крышка включены для поставки, удалите держатель нажатием кнопки на крышке.



Для закрепления на U321H необходимо поставить прокладку на держатель. Снимите защитную бумагу с задней части прокладки, прикрепите ее положение, указанное стрелкой на рисунке.

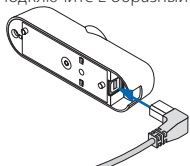




## 1. Подключите USB-кабель и держатель к камере.

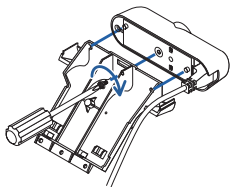
### ① Подключите USB-кабель и держатель к камере.

Подключите L-образный разъем прилагаемого кабеля USB (4,5 м) к порту USB (тип B) на камере.



### ② Закрепите камеру на держателе.

Установите два выступа на камере в фиксирующие отверстия на держателе и выровняйте положение отверстий под винты. Зафиксируйте камеру одним винтом.



## 2. Закрепите камеру на проекторе.

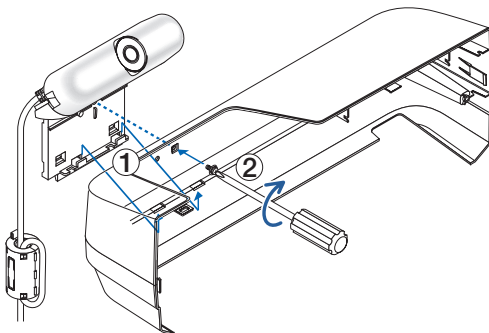
\* Процедура крепления для U321H отличается от других моделей - UM351W, UM301W, UM361X, UM301X, UM330X, UM280X, UM330W и UM280W

### Для UM351W/UM301W/UM361X/UM301X/UM330X/UM280X/UM330W/UM280W

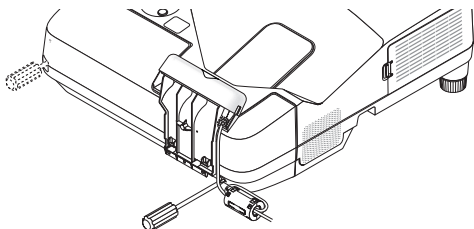
- Снимите крышку кабеля, если она установлена на проектор. Следуйте инструкциям руководства по эксплуатации проектора относительно монтажа/демонтажа крышки кабеля.
- Требуется один винт.

### ① Закрепите камеру на крышке кабеля.

С внешней стороны крышки кабеля установите два выступа держателя в фиксирующие отверстия на крышке кабеля, затем совместите положение фиксирующих отверстий. Закрепите их с помощью винта, устанавливая с внутренней стороны крышки кабеля.



- ② Закрепите крышку кабеля на проекторе.

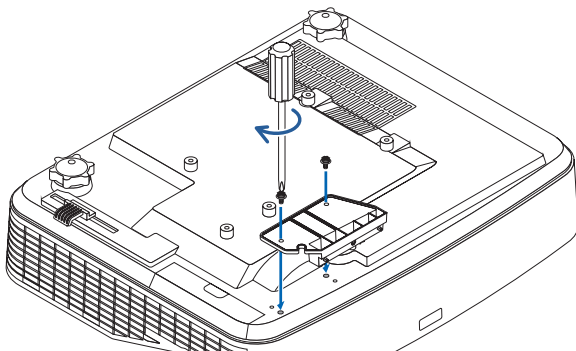


### Для U321H

Требуется три винта и крепление.

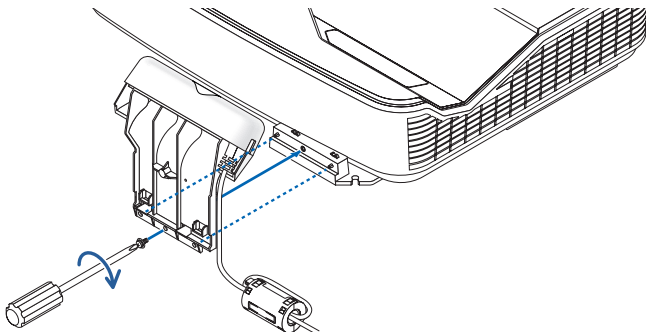
- ① Установите крепление на проектор.

Разместите нижнюю часть проектора, перевернув ее, и нажмите на два выступа на креплении в фиксирующих отверстиях на проекторе, затем совместите положение фиксирующих отверстий. Закрепите их двумя винтами.



- ② Закрепите камеру на креплении.

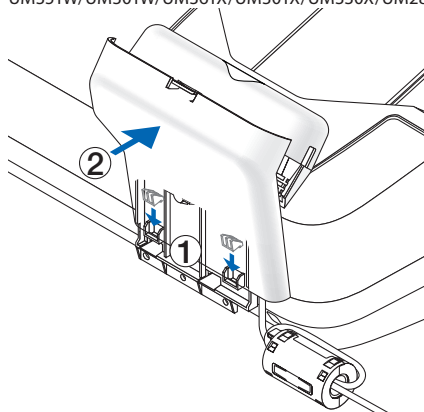
Разместите проектор, перевернув его, и нажмите на два выступа на держателе в фиксирующих отверстиях на держателе, затем совместите положение фиксирующих отверстий. Закрепите их одним винтом.



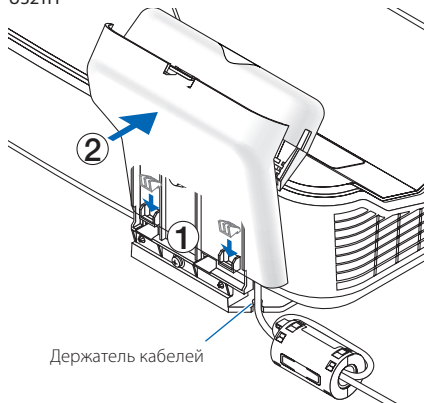
### 3. Установите крышку на держатель.

Нажмите на зажимы внизу крышки фиксирующих отверстий на держателе до щелчка. Поместите кабель USB внутрь крышки. Для U321H, поместите кабель USB через выступ как и держатель кабелей.

UM351W/UM301W/UM361X/UM301X/UM330X/UM280X/ UM330W/UM280W

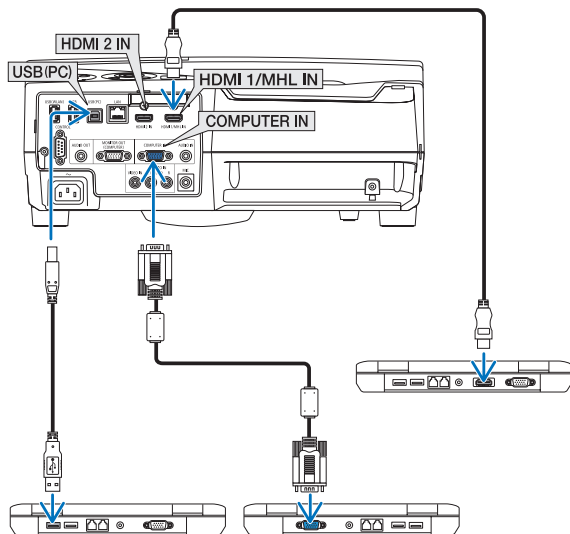


U321H



#### 4. Подключите проектор к компьютеру.

Проектор можно подключить к компьютеру при помощи компьютерного кабеля (входит в комплект поставки проектора) или коммерчески доступного HDMI-кабеля.



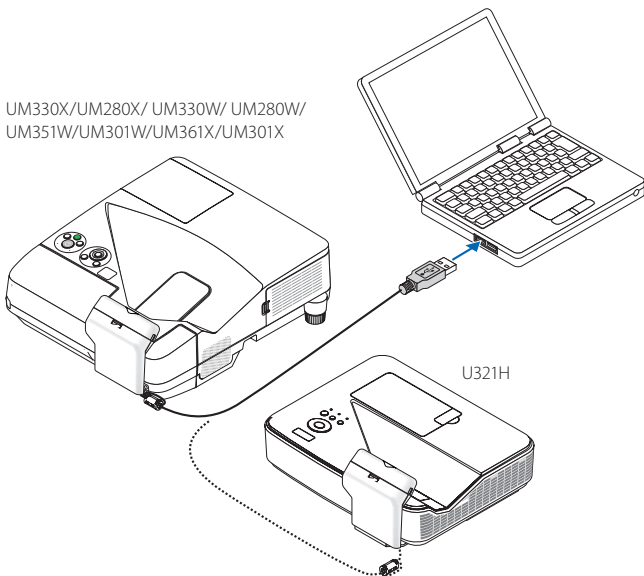
#### 5. Включите питание проектора, а затем отрегулируйте положение / фокусировку проецируемого изображения.

Порядок регулировки см. в руководстве пользователя проектора.

#### 6. Подключите компьютер и блок камеры с помощью прилагаемого USB-кабеля.

Подключите разъем кабеля USB (4,5 м), разъем которого подключен к камере к порту USB (тип A) на компьютере.

UM330X/UM280X/ UM330W/ UM280W/  
UM351W/UM301W/UM361X/UM301X



## 7. Установите драйвер и ПО калибровки на компьютер и выполните калибровку.

Загрузите драйвер и ПО калибровки с нашего веб-сайта и установите их на компьютер.  
URL-адрес: <http://www.nec-display.com/dl/en/index.html>

Руководство по установке и калибровке доступно в формате PDF (Portable Document Format).

Для просмотра или печати файлов PDF требуется Adobe Reader™.

Если Вы не можете открыть файл PDF на своем компьютере, получите текущую версию Adobe Reader для Вашей ОС на домашней странице Adobe Systems и установите ее на свой компьютер.

---

### ПРИМЕЧАНИЕ

- Требуется программное обеспечение для рисования, чтобы использовать функцию интерактивной белой доски.  
С изданием не поставляется программное обеспечение для рисования. Приобретите коммерчески доступное программное обеспечение для рисования.
-

# Поиск и устранение неисправностей

---

## Стилус не работает.

- Подключен ли USB-кабель между компьютером (USB-порт типа A) и блоком камеры (USB-порт типа B)?
  - Установлен ли драйвер и программное обеспечение калибровки на Вашем компьютере?
  - Вы используете стилус в одном из перечисленных далее мест?
    - Если на поверхность экрана и/или киноустановку падает прямой солнечный свет, выберите место для установки, которое не подвержено прямому солнечному свету.
    - Если свет от галогенных ламп и/или ламп накаливания падает на поверхность экрана и/или киноустановку, измените установленное положение экрана и/или киноустановки или преградите свет от лампы.
    - Не используйте экраны, у которых рама сделана из материала, отражающего свет.
- Влияние внешнего освещения описано в разделе поиска и устранения неисправностей в руководстве по программному обеспечению NP04Wi. См. руководство по программному обеспечению на странице поддержки для наших проекторов, которое можно загрузить с нашего веб-сайта, и устанавливайте проекторы в подходящих местах, где свет не будет влиять на работу устройства.
- Установлен ли блок камеры в правильном положении?
  - Достаточно ли заряжен стилус?
    - Если при нажатии кончиком стилуса светодиод не станет красным, зарядите стилус.
  - Находится ли размер экрана и температура использования в нужных пределах?
    - Используйте экран в пределах радиуса действия.
    - Используйте стилус в диапазоне температур от 5° до 40°C.
  - Загрязнен ли объектив блока камеры?
    - Если объектив блока камеры загрязнен, протрите его мягкой, сухой, непушистой тканью.

## Линии, проведенные стилусом, не соответствуют экрану.

- Проведена ли калибровка датчика надлежащим образом?
- Если автоматическое выполнение калибровки не решит проблему, попробуйте выполнить калибровку вручную.

# Технические характеристики

---

## Блок камеры

- Входной разъем: USB Тип B × 1
- Потребляемая мощность: 120 мА/5 В, 600 мВт
- Вес: 70 г
- Внешние размеры: 135 (Ш) × 32 (В) × 36 (Г) мм (без учета выступов)
- Рабочий диапазон: От 60 дюймов до 100 дюймов
- Рабочая температура и влажность: от 5° до 40°C/ от 20% до 80% (без конденсации)
- Температура и влажность хранения: от -10° до 50°C/ от 20% до 80% (без конденсации)

## Стилус

- Вес: 25 г
- Источник питания: Тип зарядки (очень мощный конденсатор)
- Время зарядки: 3 минуты
- Расчетное количество раз зарядки батареи: 100 000
- Время работы: около 2 часов
- Рабочая температура и влажность: от 5° до 40°C/ от 20% до 80% (без конденсации)
- Температура и влажность хранения: от -10° до 50°C/ от 20% до 80% (без конденсации)

Etkilepimli Beyaz Tahta Kiti

## NP04Wi

---

### Kurulum Kılavuzu

#### ÝÇÝNDEKÝLER

Giriş.....	TUR-2
Başlamadan Önce Okuyunuz.....	TUR-3
Not.....	TUR-4
Bu ürünün elden çıkarılması.....	TUR-4
Özellikler.....	TUR-4
Ambalajlı Öğeler.....	TUR-5
Parça Ýsimleri.....	TUR-6
Kurulum Prosedürü.....	TUR-8
Sorun giderme.....	TUR-14
Teknik özellikler.....	TUR-14

# Giriş

NEC Etkileşimli Beyaz Tahta (Model Adı: NP04Wi) satın aldığınız için çok teşekkür ederiz.

Bir NEC projektörü bu ürüne bağlayarak, beyaz tahta veya duvar etkileşimli beyaz tahtanız olarak kullanılabilir.

Birlikte verilen elektronik kalem dahili bir süper kapasitör şarj deposuna sahiptir. Elektronik kalemi ilk kez kullanmadan önce süper kapasitörü 3 dakika boyunca şarj edin.

Bu kılavuz UM351W ile bağlantı örneğini kullanır.

HDMI ve HDMI High-Definition Multimedia Interface ve HDMI Logosu, HDMI Licensing LLC'nin Amerika Birleşik Devletleri ve diğer ülkelerde ticari markaları veya tescilli ticari markalarıdır.

## Kullanılmıř ürününüzün elden çýkarılması



Her bir Üye Ülkede uygulanan bekleyle AB genelindeki yasalar, ipareti (soldaki) tabýyan kullanılmıř elektrikli ve elektronik ürünlerin, normal ev atýklarýndan ayrı imha edilmesini gerektirir. Bu tip ürünleri elden çýkarýrken lütfen yerel idarelerin talimatlarýný takip edin ve/veya ürünü satýn aldýđýnýz mağazaya danýþýn.

Kullanılmıř ürünleri topladıktan sonra bunlar uygun þekilde yeniden kullanılır ve geri dönüřtürülür. Bu çaba, atýklarý azaltmanýn yaný sýra parçalarda bulunan çýyanýn insan sađlýđýna ve çevreye olan olumsuz etkisini asgari seviyede tutmaya yardımcı olur.

Elektrikli ve elektronik ürünlerdeki iparet, sadece Avrupa Birliđi Üye Ülkelerinde geçerlidir.

## Ýkazlar

- (1) Bu kýlavuzun içeriđinin izinsiz yeniden yazdýrılması yasaktır.
- (2) Bu kýlavuzun içeriđi, gelecekte önceden bilgi vermeksizin deđiřtirilebilir.
- (3) Bu kýlavuzun içeriđi büyük bir dikkatle hazýrlanmýřtır, ancak herhangi bir hata veya ihmal fark ederseniz ya da þüphelenirseniz lütfen NEC ile temasa geçiniz.
- (4) Yukarıdaki madde (3)'den bađýmsız olarak NEC'in bu ürünün kullanılmýřından kaynaklanan hasar, kazanç kaybý vs. ile ilgili talepler için hiçbir sorumluluk kabul etmediđini unutmayýnız.
- (5) NEC, yanlıř birleřtirilen veya eksik sayfasý olan kýlavuzları deđiřtirecektir.



# Baþlamadan Önce Okuyunuz

## Resimli diyagramlar hakkýnda

Ürünün güvenli ve dođru kullanýmýný sađlamak için bu kullanma kýlavuzu, ürün hasarýnýn yaný syra sizin ve baþkalarýnýn yaralanmasýný önlemek üzere bir dizi resimli diyagram kullanýr.

Resimli yazýlar ve bunlarýn anlamlarý abađýda açýklanmýþtýr. Bu kýlavuzu okumadan önce bunlarý tamamen anladýđýnýzdan emin olun.



### UYARI

Bu resimli yazýlara uyulmamasý ve ürünün hatalý bir þekilde kullanýlmasý, ölüme veya ađýr yaralanmaya neden olabilecek kazalara yol açabilir.



### DÝKKAT

Bu resimli yazýlara uyulmamasý ve ürünün hatalý bir þekilde kullanýlmasý, yaralanmaya veya çevredeki mallarda hasara neden olabilir.

## Resimli yazýlara örnekler



sembole, dikkatli olunmasýný gerektiren (uyarýlar dahil) talimatlar içerir. Ýkazýn somut bir gösterimi, sembol içerisinde verilmiþtir.



sembole, yasak eylemleri gösterir.

Yasak eylemin somut bir gösterimi, sembol içerisinde verilmiþtir.



sembole, gerekli eylemleri gösterir.

Gerekli eylemin somut bir gösterimi, sembol içerisinde verilmiþtir.



### UYARI

- Projektörün tavana veya duvara kurulumunu yapmadan önce bu ürünü projektörün üzerine kurun.



Eđer bu ürün projektörün tavana veya duvara kurulumu yapıldıktan sonra kurulursa, kamera ünitesi düzgün bir şekilde sabitlenmeyebilir ve bu da kamera ünitesinin düşmesine ve yaralanmaya neden olabilir. Aynı zamanda, kamera ünitesinin hasar görmesine neden olabilir.



- Kamera ünitesini sabitledikten sonra vidaları siktiginize emin olun. Eđer vidalar sıkı bir şekilde sıkılmazsa, kamera ünitesi düşebilir ve yaralanmaya neden olabilir. Aynı zamanda, kamera ünitesinin hasar görmesine neden olabilir.



- Projektörü hareket ettirmek için kamera ünitesinden tutmayın ve kamera ünitesine aşırı kuvvet uygulamayın. Kamera ünitesinin hasar görmesine ve yaralanmaya yol açabilir.



- Bu ürünü aþađıdaki koþulların olduđu yerlere yerleþtirmeyin:

- su yakınına, banyolara veya nemli odalara.
- dođrudan gün iþiđına, ısıtıcıların veya ısı yayan eþyaların yakınına.
- tozlu, dumanlı veya buharlı ortamlara.
- sıcaklıđı yüksek yerlere



- Elektronik kalemi parçalarına ayırmayın veya yeniden modellemeyin. Elektronik kalemi şoklara maruz bırakmayın ya da bükmeyin. Elektronik kalemin hasar görmesine neden olabilir ve yaralanmaya yol açabilir.

# Not

---

- 100 inç veya daha küçük ekran boyutlu, düz ve sert bir ekran kullanın.
- Bazı ekran yüzeyleri elektronik kalem ucu tarafından çizilebilir. Elektronik kalemi kullanmadan önce, ekranı çizmeyeceğinden emin olmak için ekranın fark edilmeyen bir kısmında deneyin.
- Elektronik kalemi aşağıda bahsi geçen alanlarda kullanmayın.  
Elektronik kalemin arızalanmasına neden olabilir.
  - Ekran yüzeyi ve kamera birimine doğrudan güneş ışığı vuran alanda.
  - Halojen veya tel lambaların ışığının ekran yüzeyi ve kamera birimine doğrudan vurduğu alanda.
  - Elektronik kalemin kullanıldığı alan içinde ışık yanıştan malzemeler kullanılması durumunda. (ör. ekran çerçevesi)
- Elektronik kalemi aşağıda bahsi geçen ortamlarda kullanmayın. Elektronik kalemin arızalanmasına neden olabilir.
  - Kızılötesi uzaktan kumanda kullanıldığında.
- Elektronik kalemin çalışması için garanti edilen çalışma sıcaklık aralığı 5° ila 40°C arasındır.
- Kamera ünitesini monte ederken veya çıkarırken, belirtilen vidalar dışında herhangi bir vidayı sökmeyin.

## Bu ürünün elden çıkarılması

---

- Bu ürünü elden çıkarırken, talimatlar için satın aldığınız mağaza veya yerel yönetiminiz ile iletişime geçin.

## Özellikler

---

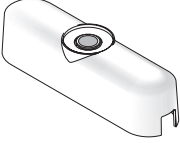
- İnteraktif elektronik beyaz tahta işlevi  
Çizim yazılımı ile birlikte, beyaz tahta veya duvar interaktif beyaz tahtanız olarak kullanılabilir ve birlikte verilen elektronik kalem ile ekran üzerinde el yazısı notlar alabilir veya resimler çizebilirsiniz.  
Ayrıca, Dokunmatik Modül (NP01TM ayrıca satılır) ile birlikte, parmağınızla beyaz tahta veya duvar üzerine çizmenize olanak sağlar.  
Desteklenen projektörler:
  - UM330X, UM280X, UM330W, UM280W
  - UM351W, UM301W, UM361X, UM301X
  - U321H

\* Bu ürünü yukarıda listelenmiş, desteklenen projektörler ve özel tutucusu dışındakilere sabitlemeyin.
- Bir veya daha fazla kişi aynı anda elektronik kalemlerle notlar alabilir veya resimler çizebilir.  
İki elektronik kalem ürünle birlikte standart olarak gelir. Elektronik kalem ayrıca bir opsiyon olarak da mevcuttur (NP02Pi).  
Ürün üzerinde en fazla 10 elektronik kalem aynı anda kullanılabilir.  
Bununla birlikte, bu sayı kullandığınız çizim yazılımına bağlı olarak değişir.  
Çizim yazılımı kullanmak için, çizim yazılımı ile birlikte verilen kullanım kılavuzuna başvurun.
- Otomatik Kalibrasyon işlevi  
Otomatik kalibrasyon işlevi sayesinde konum ayarlamaya kolayca yapılır.

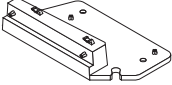
# Ambalajlı Öğeler

Kutunuzda listelenen her şeyin bulunduğundan emin olun. Herhangi bir parça eksikse, yetkili satıcınızla temasa geçin.

- Kamera ünitesi x 1



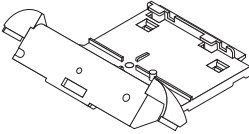
- Ekleni x 1 (Uygulama modeli: U321H)



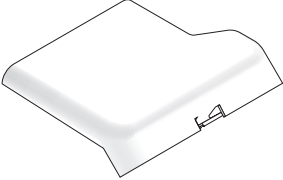
- Conta x 1 (Uygulama modeli: U321H)



- Tutucu x 1

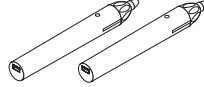


- Kapak x 1



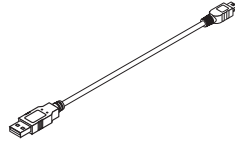
Tutucu ve kapak monte edilir.

- Elektronik kalem x 2



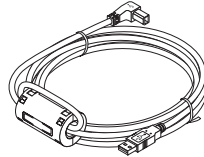
- USB kablosu x 1

Elektronik kalemi şarj etmek için

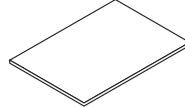


- USB kablosu (4,5 m) x 1

Bilgisayarı kamera ünitesi ile bağlamak için



- Kurulum Kılavuzu (bu belge) x 1



- Vida (M3) x 4

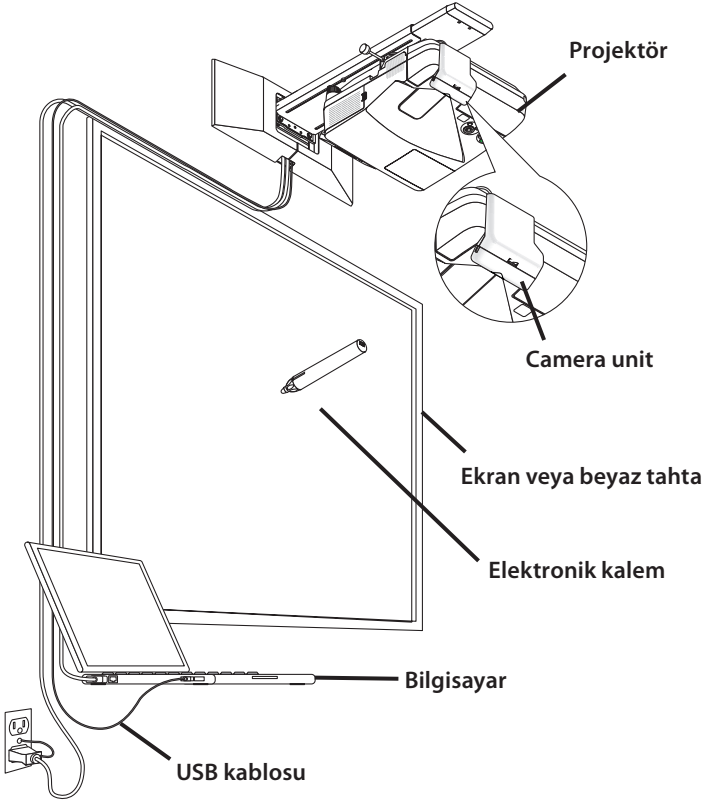


## NOT

- Bilgisayara yüklemek için sürücüyü ve kalibrasyon yazılımını İnternet sitemizden indirin.  
URL: <http://www.nec-display.com/dl/en/index.html>
- Etkileşimli beyaz tahta işlevini kullanmak için çizim yazılımı gerekir.  
Bu ürünle birlikte bir çizim yazılımı verilmez. Piyasada satılan çizim yazılımı satın alın.

# Parça Ýsimleri

Çizim, üzerinde projektör monte edilmiş olan isteğe bağlı duvar montaj birimi (model adı: NP04WK) örneğini göstermektedir.

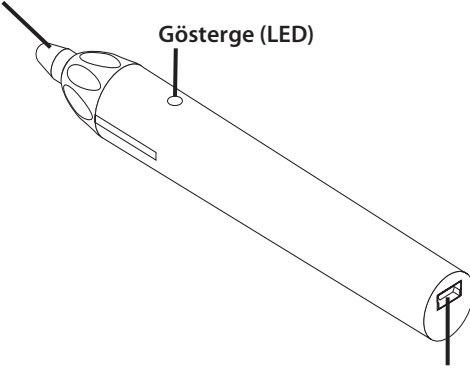


## Birlikte verilen elektronik kalemin parça isimleri

Kalem ucu

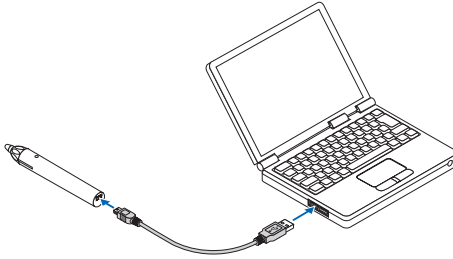
Gösterge (LED)

Şarj bağlantı noktası (USB)



## Elektronik kalemin şarj edilmesi

Elektronik kalemi şarj etmek üzere, elektronik kalemin şarj bağlantı noktasını (USB) bilgisayarın USB bağlantı noktası ile bağlamak için birlikte verilen USB kablosunu kullanın.



Elektronik kalem şarj olmaya başlayacaktır. Şarj etme yaklaşık 3 dakika içinde tamamlanacaktır.

- Kalem ucunu bir ekrana veya beyaz tahtaya bastırarak gösterge LED'i kırmızıya döndürecektir, bu da şarj işleminin tamamlandığını ve elektronik kalemi kullanmaya hazır olduğunuzu gösterir. LED sönerse, elektronik kalemi şarj edin.

## Elektronik kalem kullanımı üzerine uyarılar

- Elektronik kaleme yere düşürerek veya yanlış kullanarak zarar vermeyin.
- Elektronik kalemi su ve diğer sıvılardan uzak tutun. Elektronik kalem ıslanırsa, elektronik kalemi hemen silip kurulaştırın.
- Mümkün olduğu kadar ısı ve nemden kaçının.

# Kurulum Prosedürü

## Kurulum Akışı

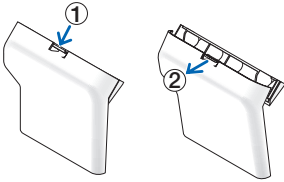
1. USB kablosunu ve tutucuyu kamera ünitesine bağlayın.
2. Kamera ünitesini projektörün üzerine sabitleyin.  
\* U321H için sabitleme prosedürü diğer modellerden farklıdır.
3. Kapağı tutucu üzerine monte edin.
4. Projektörü bilgisayarla bağlayın.
5. Projektörü açın ve yansıtılan görüntünün konumunu ve netlemesini ayarlayın.
6. Kamera ünitesi ile bağlandığı terminali üzerindeki USB kablosunu bilgisayar ile bağlayın.
7. Sürücüyü ve kalibrasyon yazılımını bilgisayara yükleyin ve kalibrasyonu gerçekleştirin.

## ⚠ Uyarı

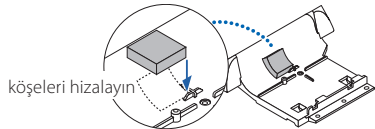
- Projektörün tavana veya duvara kurulumunu yapmadan önce bu ürünü projektörün üzerine kurun. Eğer bu ürün projektörün tavana veya duvara kurulumu yapıldıktan sonra kurulursa, kamera ünitesi düzgün bir şekilde sabitlenemeyebilir ve bu da kamera ünitesinin düşmesine ve yaralanmaya neden olabilir. Aynı zamanda, kamera ünitesinin hasar görmesine neden olabilir.
- Kamera ünitesini sabitledikten sonra vidaları sıkıştırdığınızda emin olun. Eğer vidalar sıkı bir şekilde sıkılmazsa, kamera ünitesi düşebilir ve yaralanmaya neden olabilir. Aynı zamanda, kamera ünitesinin hasar görmesine neden olabilir.
- Projektörü hareket ettirmek için kamera ünitesinden tutmayın ve kamera ünitesine aşırı kuvvet uygulamayın. Kamera ünitesinin hasar görmesine ve yaralanmaya yol açabilir.

## Hazırlık:

- Yıldız uçlu bir tornavida hazırlayın
- Bununla birlikte, tutucu ve kapak gönderim için birleşik durumda olsa da, kapak üzerindeki düğmeye basarak tutucuyu çıkarın.



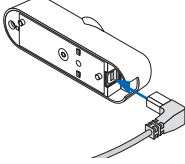
U321H üzerine sabitlemek için, contayı tutucu üzerine tutturmanız gerekir. Contanın arka yüzündeki serbest bırakma kağıdını çıkarın ve onu çizimde okla gösterilen konumun üzerine takın.



## 1. USB kablosunu ve tutucuyu kamera ünitesine bağlayın.

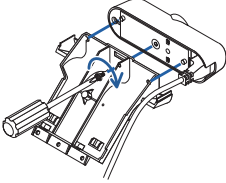
### ① USB kablosunu ve tutucuyu kamera ünitesine bağlayın.

Birlikte verilen USB kablosunun (4,5m/14,8ft) L şekilli terminalini kamera ünitesi üzerindeki USB bağlantı noktasına (B tipi) bağlayın.



### ② Tutucu üzerindeki kamera ünitesini sabitleyin.

Kamera ünitesi üzerindeki iki çıkıntıyı tutucu üzerindeki sabitleme deliklerinin içine takın ve vida deliklerinin konumunu hizalayın. Kamera ünitesini bir vida ile sabitleyin.



## 2. Kamera ünitesini projektörün üzerine sabitleyin.

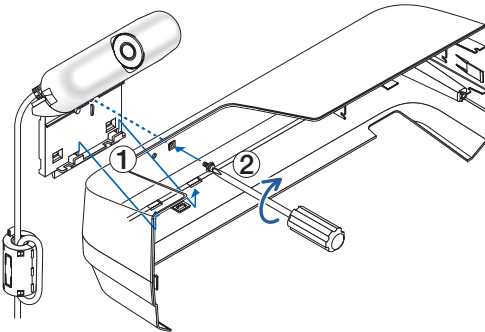
\* U321H için sabitleme prosedürü UM351W, UM301W, UM361X, UM301X, UM330X, UM280X, UM330W ve UM280W gibi diğer modellerden farklıdır

### UM351W/UM301W/UM361X/UM301X/UM330X/UM280X/UM330W/UM280W için

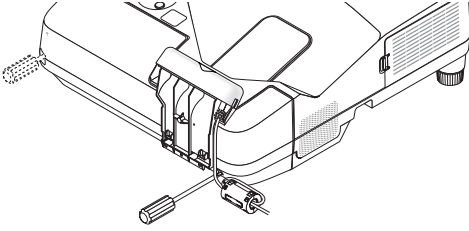
- Projektör üzerine takılıysa kablo kapağını çıkarın. Kablo kapağını monte etmek/sökme için lütfen projektörün Kullanıcı Kılavuzundaki talimatları izleyin.
- Bir vida gerekir.

### ① Kamera ünitesini kablo kapağı üzerine sabitleyin.

Kablo kapağının dış tarafından, tutucu üzerindeki iki çıkıntıyı kablo kapağı üzerindeki sabitleme deliklerinin içine takın, ardından sabitleme deliklerinin konumunu hizalayın. Bunları kablo kapağının iç tarafından konulan bir vida ile sabitleyin.



- ② **Kablo kapağını projektörün üzerine sabitleyin.**

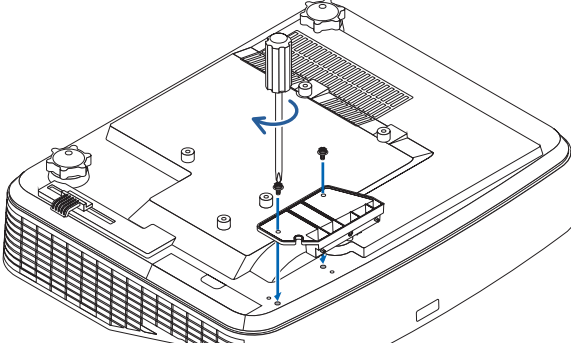


### U321H için

Üç vida ve eklenti gerekir.

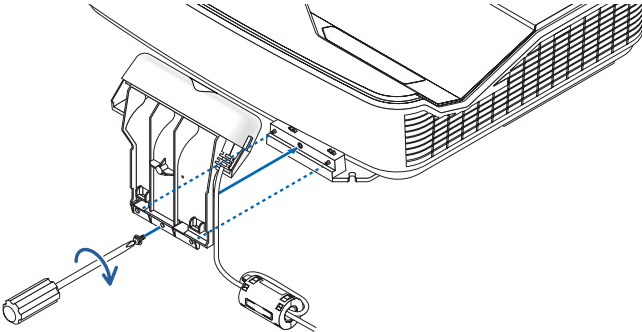
- ① **Eklenti projektörün üzerine monte edin.**

Projektörü alt yüzü yukarı bakacak şekilde koyun ve eklenti üzerindeki iki çıkıntıyı projektör üzerindeki deliklere bastırın, ardından sabitleme deliklerinin konumunu hizalayın. İki vida ile sabitleyin.



- ② **Kamera ünitesini eklentinin üzerine sabitleyin.**

Projektörü yukarı bakacak şekilde koyun ve tutucu üzerindeki iki çıkıntıyı tutucu üzerindeki sabitleme deliklerine bastırın, ardından sabitleme deliklerinin konumunu hizalayın. Bir vida ile sabitleyin.

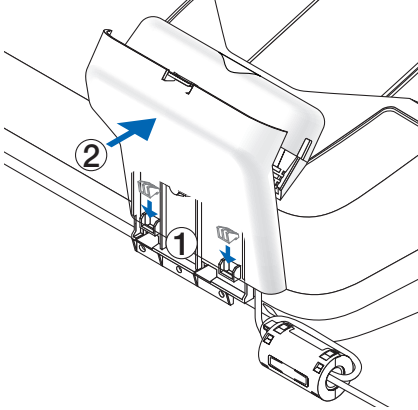




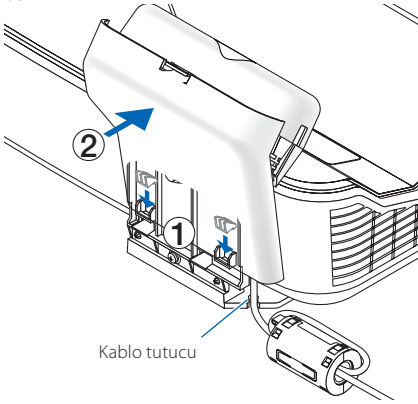
### 3. Kapağı tutucu üzerine monte edin.

Kapağın altındaki tırnakları klik sesi duyulana kadar tutucu üzerindeki sabitleme deliklerine bastırın. USB kablosunu kapağın içine koyun. U321H için, USB kablosunu kablo tutucu içindeki çentiğin içinden geçirin.

UM351W/UM301W/UM361X/UM301X/UM330X/UM280X/ UM330W/UM280W

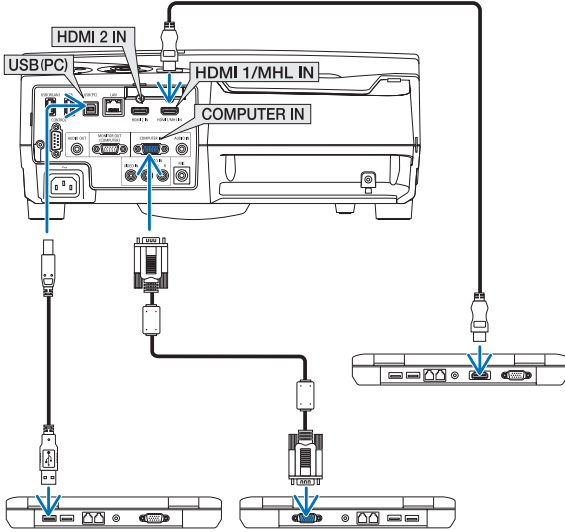


U321H



#### 4. Projektörü bilgisayara bağlayın.

Projektör bir bilgisayar kablosu (projektörle birlikte verilir) veya piyasada satılan bir HDMI kablosu kullanarak bir bilgisayara bağlanabilir.



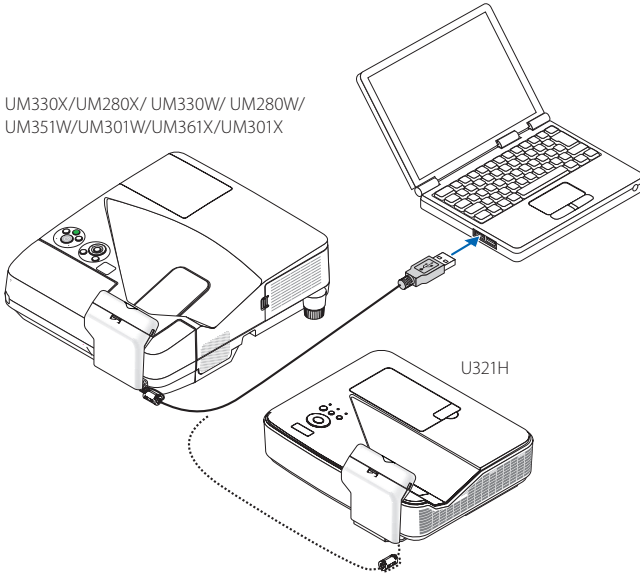
#### 5. Projektörü açın ve ardından yansıtılan görüntünün konumunu / netlemesini ayarlayın.

Ayarlama prosedürü için projektörün kullanım kılavuzuna bakın.

#### 6. Birlikte verilen USB kablosu ile bilgisayar ve kamera ünitesini bağlayın.

Diğer terminali kamera ünitesi ile bağlı olan USB kablusunun (4,5 m/14,8 ft) terminalini bilgisayarın üzerindeki USB bağlantı noktasına (A Tipi) bağlayın.

UM330X/UM280X/ UM330W/ UM280W/  
UM351W/UM301W/UM361X/UM301X



## 7. Sürücüyü ve kalibrasyon yazılımını bilgisayara yükleyin ve kalibrasyonu gerçekleştirin

Sürücüyü ve kalibrasyon yazılımını web sitemizden indirin ve bilgisayara yükleyin.  
URL: <http://www.nec-display.com/dl/en/index.html>

Kurulum ve kalibrasyon için kullanım kılavuzu, PDF (Taşınabilir Doküman Formatı) olarak mevcuttur.  
PDF dosyalarını görüntülemek veya yazdırmak için Adobe Reader™ gereklidir.

Eğer PDF dosyasını bilgisayarınızda açamıyorsanız, İşletim Sisteminiz için Adobe Reader'in geçerli sürümünü Adobe Systems'in ana sayfasından edinin ve bilgisayarınıza yükleyin.

### NOT

- Etkileşimli beyaz tahta işlevini kullanmak için çizim yazılımı gerekir.  
Bu ürünle birlikte bir çizim yazılımı verilmez. Piyasada satılan çizim yazılımı satın alın.

# Sorun giderme

---

## Elektronik kalem çalışmıyor.

- USB kablosu bilgisayar (A tipi USB bağlantı noktası) ve kamera ünitesi (B tipi USB portu) arasında bağlı mı?
- Sürücü ve kalibrasyonu yazılımı bilgisayarınızda kuruldu mu?
- Elektronik kalemi aşağıdaki ortamlardan birinde mi kullanıyorsunuz?
  - Eğer doğrudan güneş ışığı ekran yüzeyi ve/veya kamera birimine vuruyorsa, kurulum yerini doğrudan güneş ışığına maruz kalmayan bir yerle değiştirin.
  - Halojen ve/veya tel lambanın ışığı ekran yüzeyi ve/veya kamera birimine doğrudan vuruyorsa, ekran ve/veya kamera biriminin kurulum yönünü değiştirin veya ışığı engelleyin.
  - Çerçevesinin malzemesi ışığı yansıtan bir ekran kullanmayın.

Harici ışığın etkisi NP04Wi yazılım kılavuzundaki sorun giderme bölümünde tarif edilmiştir. Web sitemizde projektörler için destek sayfasında yüklenmiş yazılım kılavuzuna başvurun ve projektörleri ışığın etkisine maruz kalmayan uygun bir yerde kurun.

- Kamera ünitesi doğru konuma ayarlı mı ?
- Elektronik kalemin yeterli şarjı var mı?

Eğer kalem ucunu bastırarak LED'i kırmızıya döndürmüyorsa, elektronik kalemi şarj edin.

- Ekran boyutu ve kullanım sıcaklığı uygun aralıkta mı?  
Etkin aralığın içindeki bir ekran kullanın.

Elektronik kalemi 5° ila 40°C sıcaklık aralığı içinde kullanın.

- Kamera ünitesinin objektifi kirli mi?  
Objektif kirlenmişse, onu yumuşak, kuru, tüysüz bir bez ile silin.

## Elektronik kalem ile izi sürülen çizgiler ekranla eşleşmiyor.

- Sensör düzgün kalibre edildi mi?
- Kalibrasyonu otomatik olarak gerçekleştirmek sorunu çözmiyorsa, kalibrasyonu manuel olarak yapmayı deneyin.

# Teknik özellikler

---

## Kamera ünitesi

- Giriş terminali:USB B Tipi x 1
- Güç tüketimi: 120 mA/5 V, 600 mW
- Ağırlık: 70 g
- Dış boyutlar: 135(G) x 32 (Y) x 36 (D) mm (çıkıntılar hariç)
- Etkin aralık: 60° ila 100°
- Çalışma sıcaklığı ve nem oranı: 5° ila 40°C /%20 ila %80 (yoğuşmasız)
- Depolama sıcaklığı ve nem oranı: -10° ila 50°C /%20 ila %80 (yoğuşmasız)

## Elektronik kalem

- Ağırlık: 25 g
- Güç kaynağı: Şarj tipi (süper kapasitör)
- Şarj süresi: 3 dakika
- Pilin tahmini şarj etme sayısı: 100.000
- Çalışma süresi: yaklaşık 2 saat
- Çalışma sıcaklığı ve nem oranı: 5° ila 40°C /%20 ila %80 (yoğuşmasız)
- Depolama sıcaklığı ve nem oranı: - 10° ila 50°C /%20 ila %80 (yoğuşmasız)

Zestaw interaktywnej białej tablicy

# NP04Wi

---

## Instrukcja instalacji

### SPIIS TREŚCI

Wstęp.....	POL-2
Przeczytaj przed rozpoczęciem użytkowania .....	POL-3
Uwaga .....	POL-4
Utylizacja tego produktu.....	POL-4
Funkcje.....	POL-4
Zawartość opakowania .....	POL-5
Nazwy części.....	POL-6
Procedura instalacji .....	POL-8
Rozwiązywanie problemów.....	POL-14
Dane techniczne.....	POL-14

# Wstęp

---

Dziękujemy za zakup interaktywnej tablicy multimedialnej firmy NEC (nazwa modelu: NP04Wi).

Po podłączeniu projektora firmy NEC do tego produktu, biała tablica lub ściana mogą być używane jako interaktywna tablica multimedialna.

Dołączony rysik posiada wbudowany superkondensator ładowania. Ładuj superkondensator przez 3 minuty przed użyciem rysika po raz pierwszy.

W niniejszej instrukcji jako przykładu użyto połączenia z UM351W.

Określenia HDMI i HDMI High-Definition Multimedia Interface, a także logo HDMI są znakami towarowymi lub zastrzeżonymi znakami towarowymi HDMI Licensing LLC w Stanach Zjednoczonych i innych krajach.

## Usuwanie zużytego produktu



Prawodawstwo UE wdrożone w poszczególnych krajach członkowskich wymaga zbierania zużytych produktów elektrycznych i elektronicznych oznaczonych odpowiednim symbolem (po lewej) oddzielnie od odpadów z gospodarstw domowych. Aby pozbyć się takiego produktu, postępuj zgodnie z poleceniami lokalnych władz i/lub zapytaj sprzedawcę w punktu zakupu produktu.

Po zbiorce zużyte produkty są odpowiednio wykorzystywane ponownie i poddawane recyklingowi. Takie działanie pomaga nam zmniejszać ilość odpadów oraz ograniczać do minimum negatywny wpływ odpadów, takich jak rtęć, na ludzkie zdrowie i środowisko naturalne.

Symbol umieszczony na urządzeniu elektrycznym lub elektronicznym ma zastosowanie jedynie w krajach członkowskich Unii Europejskiej.

## Przestrogi

- (1) Przedruk zawartości tej instrukcji bez zgody jest niedozwolony.
- (2) Treść instrukcji podlega zmianom bez uprzedzenia.
- (3) Treść niniejszej instrukcji została przygotowana z najwyższą starannością, ale w razie wątpliwości i w przypadku zauważenia błędów lub pominięć, proszę poinformować o tym firmę NEC.
- (4) Proszę zwrócić uwagę, że firma NEC nie ponosi żadnej odpowiedzialności za szkody, utracone korzyści etc. wynikające z użytkowania tego produktu, bez względu na treść artykułu (3) powyżej.
- (5) NEC wymieni wszelkie instrukcje z błędnie scalonymi lub brakującymi stronami.

# Przeczytaj przed rozpoczęciem użytkowania

## Informacje o piktogramach

W celu zapewnienia bezpiecznego i poprawnego użytkowania produktu, w tej instrukcji instalacji zastosowano kilka piktogramów, dotyczących zapobiegania obrażeniom ciała użytkownika i innych osób oraz zapobiegania uszkodzeniu mienia.

Piktogramy i ich znaczenie zostały opisane poniżej. Zapoznaj się dobrze ze znaczeniem piktogramów przed przystąpieniem do lektury tej instrukcji.



### OSTRZEŻENIE

Nieprzestrzeganie treści tego ostrzeżenia i błędna obsługa produktu mogą prowadzić do wypadków powodujących śmierć lub poważne obrażenia ciała.



### PRZESTROGA


Nieprzestrzeganie treści tego ostrzeżenia i błędna obsługa produktu mogą prowadzić do obrażeń ciała lub uszkodzenia mienia wokół produktu.

## Przykładowe piktogramy




Symbol  oznacza polecenia wymagające uwagi (w tym ostrzeżenia).  
Oznaczenie konkretnej przestrogi znajduje się wewnątrz symbolu.



Symbol  oznacza działania zakazane.  
Oznaczenie konkretnego zakazanego działania znajduje się wewnątrz symbolu.



Symbol  oznacza wymagane działania.  
Oznaczenie konkretnego wymaganego działania znajduje się wewnątrz symbolu.



## OSTRZEŻENIE



- Zamocuj niniejszy produkt na projektorze przed zainstalowaniem projektora na suficie lub na ścianie.

Jeśli urządzenie zostanie zamocowane po zainstalowaniu projektora pod sufitem lub na ścianie, kamera może nie zostać prawidłowo zamocowana, co może spowodować jej upadek i w konsekwencji obrażenia ciała, a także uszkodzenie kamery.



- Po zamocowaniu kamery należy dokręcić śruby. Jeśli nie zostaną one dobrze dokręcone, kamera może spaść i spowodować obrażenia ciała. Upadek może również spowodować uszkodzenie kamery.



- Przy przenoszeniu projektora nie należy trzymać za kamerę ani stosować wobec kamery nadmiernej siły. Może to spowodować uszkodzenie kamery, a także obrażenia ciała.



- Nie należy umieszczać urządzenia w następujących warunkach:
  - w pobliżu wody, wanien i wilgotnych pomieszczeń.
  - w miejscach narażonych na bezpośrednie działanie światła słonecznego, w pobliżu grzejników i urządzeń generujących ciepło.
  - w środowisku pełnym dymu, kurzu lub pary.
  - w miejscach o wysokiej temperaturze



- Nie wolno demontować lub przerabiać rysika. Nie należy narażać na wstrząsy ani zginać rysika. Może to spowodować uszkodzenie rysika, a w konsekwencji obrażenia ciała.

# Uwaga

---

- Należy używać płaskiego i twardego ekranu o rozmiarze 100 cali lub mniejszym.
- Niektóre powierzchnie ekranów mogą zostać porysowane przez końcówkę rysika. Przed użyciem rysika, sprawdź na mało widocznej części ekranu, czy końcówka rysika nie zniszczy powierzchni ekranu.
- Nie należy używać rysika na następujących powierzchniach.  
Może to spowodować nieprawidłową pracę rysika.
  - Na powierzchni ekranu lub aparatu, na którą świeci bezpośrednio światło słoneczne.
  - Na powierzchni ekranu lub aparatu, która jest bezpośrednio oświetlana światłem halogenowym lub żarówką.
  - W przypadku, gdy w obszarze pracy rysika znajdują się materiały odbijające światło. (np. obramowanie ekranu)
- Nie należy używać rysika w następujących środowiskach. Może to spowodować nieprawidłową pracę rysika.
  - Gdy używany jest pilot zdalnego sterowania na podczerwień.
- Gwarantowany zakres temperatury pracy funkcji rysika wynosi 5 ° do 40 °C (41 ° do 104 °F).
- Podczas montażu lub demontażu kamery, nie należy wykręcać śrub innych niż wskazane.

# Utylizacja tego produktu

---

- Utylizując ten produkt, należy skontaktować się ze sprzedawcą lub lokalnym samorządem w celu uzyskania wskazówek.

# Funkcje

---

- Funkcja interaktywnej elektronicznej tablicy multimedialnej  
Po połączeniu z oprogramowaniem do rysowania, biała tablica lub ściana mogą być używane jako interaktywna tablica multimedialna, na której można odręcznie pisać notatki lub rysować rysunki za pomocą dołączonego rysika.  
Co więcej, po połączeniu z modulem dotykowym (NP01TM do nabycia oddzielnie), pozwala rysować na białej tablicy lub ścianie za pomocą palca.  
Obsługiwane projektorzy:
  - UM330X, UM280X, UM330W, UM280W
  - UM351W, UM301W, UM361X, UM301X
  - U321H

\* Mocować urządzenie wyłącznie na wymienionych powyżej obsługiwanych projektorach przy pomocy specjalnego uchwytu.
- Jednocześnie jedna lub więcej osób może robić notatki lub rysować rysunki za pomocą rysików  
Standardowo produkt wyposażony jest w dwa rysiki. Rysik jest również dostępny opcjonalnie (NP02P1).  
Jednocześnie można używać do 10 rysików na produkcie.  
Aczkolwiek, ta liczba będzie się różnić w zależności od używanego oprogramowania do rysowania.  
Aby dowiedzieć się więcej na temat oprogramowania do rysowania, patrz instrukcja obsługi tego oprogramowania do rysowania.
- Funkcja automatycznej kalibracji  
Regulacja położenia je łatwa dzięki funkcji automatycznej kalibracji.



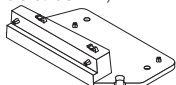
# Zawartość opakowania

Sprawdź, czy opakowanie zawiera wszystkie wymienione elementy. Jeśli czegoś brakuje, skontaktuj się ze sprzedawcą.

- Kamera x 1



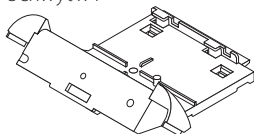
- Osprzęt x 1 (Stosowany w przypadku modelu: U321H)



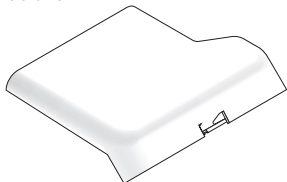
- Uszczelka x 1 (Stosowana w przypadku modelu: U321H)



- Uchwyt x 1

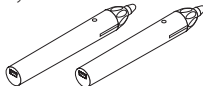


- Osłona x 1

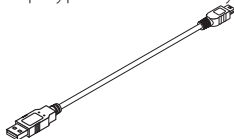


Uchwyt i osłona są zamontowane.

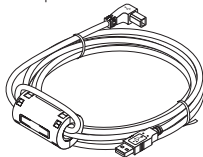
- Rysik x 2



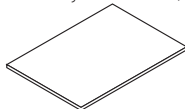
- Kabel USB x 1  
W przypadku ładowania rysika



- Kabel USB (4,5 m/14,8 stóp) x 1  
W przypadku podłączenia kamery do komputera



- Instrukcja montażu (niniejszy dokument) x1



- Śruba (M3) x 4



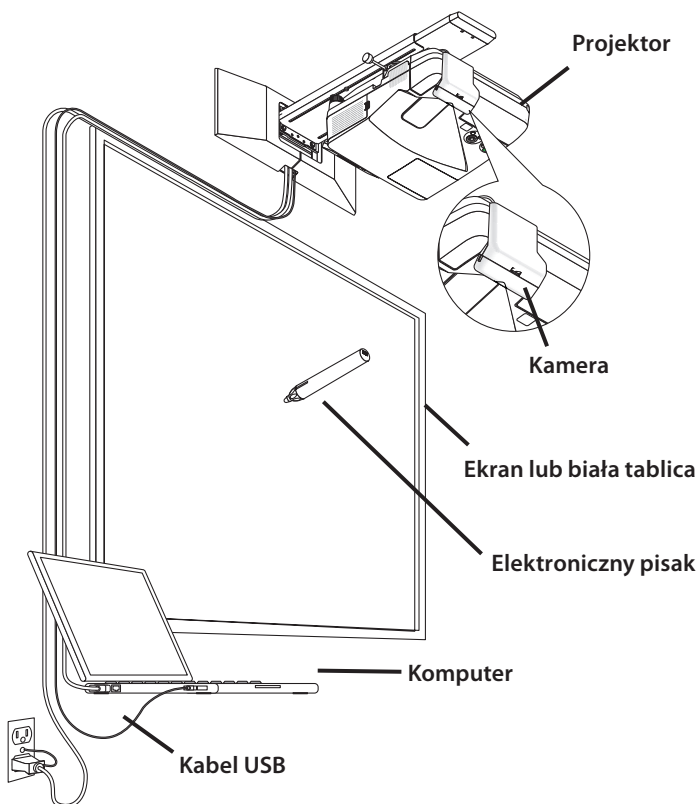
## UWAGA

- Pobierz z naszej strony internetowej sterownik oraz oprogramowanie kalibracji, aby zainstalować je na komputerze.  
URL: <http://www.nec-display.com/dl/en/index.html>
- Wymagane jest oprogramowanie do rysowania, aby użyć funkcji interaktywnej tablicy multimedialnej. Do produktu nie jest dołączone żadne oprogramowanie do rysowania. Skorzystaj z dostępnych w sprzedaży oprogramowań do rysowania.

# Nazwy części

---

Rysunek przedstawia przykładowy uchwyt ścienny (model NP04WK) z zamontowanym projektorem.

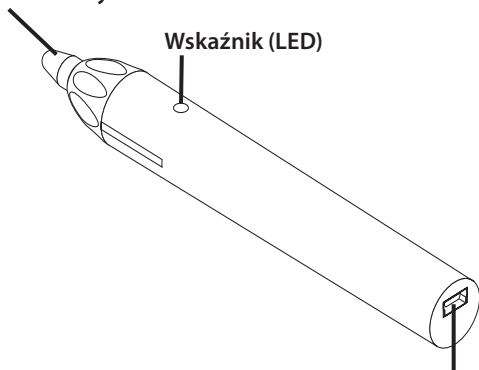


## Nazwy części dołączonego rysika

Końcówka rysika

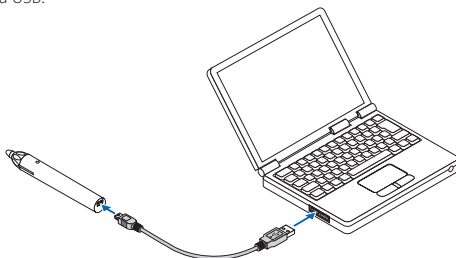
Wskaźnik (LED)

Port ładowania (USB)



## Ładowanie rysika

Do podłączenia portu (USB) ładowania rysika do portu USB komputera, w celu naładowania rysika, należy użyć dołączonego kabla USB.



Rysik zacznie się ładować. Ładowanie zostanie zakończone po około 3 minutach.

- Przyknięcie końcówki rysika do ekranu lub białej tablicy spowoduje, że wskaźnik LED zmieni kolor na czerwony, co oznacza, że ładowanie zostało zakończone, a rysik jest gotowy do użycia. Jeśli czerwona dioda LED zgaśnie, należy naładować rysik.

## Uwagi dotyczące korzystania z rysika

- Nie wolno niszczyć rysika poprzez upuszczenie na podłogę lub niewłaściwe obchodzenie się z nim.
- Rysik należy trzymać z dala od wody i innych płynów. Jeśli rysik się zamoczy, należy go szybko wytrzeć do suchości.
- Jeśli jest to możliwe, należy unikać wysokich temperatur i wysokiej wilgotności.

# Procedura instalacji

## Kolejność instalacji

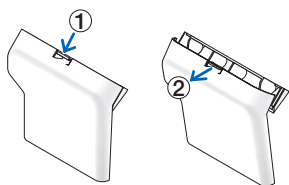
1. Podłącz kabel USB i uchwyt do kamery.
2. Zamocuj kamerę na projektorze.
  - \* Procedura mocowania dla modelu U321H różni się od procedury dla innych modeli.
3. Zamontuj osłonę na uchwycie.
4. Podłącz projektor do komputera.
5. Włącz zasilanie projektora i ustaw pozycję oraz ostrość wyświetlanego obrazu.
6. Połącz kamerę z komputerem za pomocą kabla USB.
7. Zainstaluj sterownik oraz oprogramowanie do kalibracji na komputerze, a następnie wykonaj kalibrację.

## Ostrzeżenie

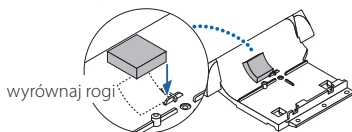
- Zamocuj niniejszy produkt na projektorze przed zainstalowaniem projektora na suficie lub na ścianie. Jeśli urządzenie zostanie zamocowane po zainstalowaniu projektora pod sufitem lub na ścianie, kamera może nie zostać prawidłowo zamocowana, co może spowodować jej upadek i w konsekwencji obrażenia ciała. Upadek może również spowodować uszkodzenie kamery.
- Po zamocowaniu kamery należy dokręcić śruby. Jeśli nie zostaną one dobrze dokręcone, kamera może spaść i spowodować obrażenia ciała. Upadek może również spowodować uszkodzenie kamery.
- Przy przenoszeniu projektora nie należy trzymać za kamerę ani stosować wobec kamery nadmiernej siły. Może to spowodować uszkodzenie kamery, a także obrażenia ciała.

## Przygotowanie:

- Przygotuj śrubokręt krzyżakowy
- Uchwyt i osłona były w stanie połączenia podczas transportu, odczep uchwyt, naciskając przycisk na osłonie.



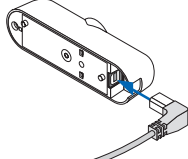
W przypadku mocowania na modelu U321H, należy przymocować uszczelkę na uchwycie. Odklej papier zabezpieczający z tylnej powierzchni uszczelki, a następnie przymocuj ją w położeniu wskazanym przez strzałkę na ilustracji.



## 1. Podłącz kabel USB i uchwyt do kamery.

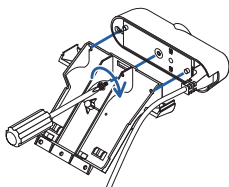
### ① Podłącz kabel USB i uchwyt do kamery.

Podłącz złącze w kształcie litery L dołączonego kabla USB (4,5 m/14,8 ft) do portu USB (typu B) kamery.



### ② Zamocuj kamerę na uchwycie.

Wsuń dwa występy znajdujące się na kamerze do otworów mocowania w uchwycie i wyrównaj położenie otworów na śruby. Zamocuj kamerę za pomocą jednej śruby.



## 2. Zamocuj kamerę na projektorze.

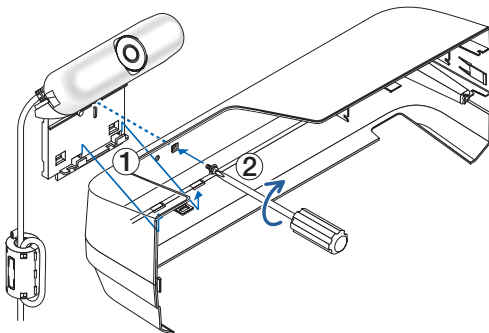
\* Procedura mocowania dla modelu U321H jest inna od tej dla modeli UM351W, UM301W, UM361X, UM301X, UM330X, UM280X, UM330W i UM280W

### Dla UM351W/UM301W/UM361X/UM301X/UM330X/UM280X/UM330W/UM280W

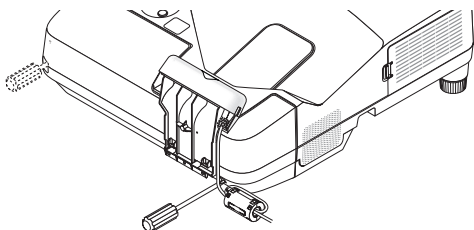
- Zdejmij osłonę kabla, jeśli jest przyczepiona do projektora. Aby założyć lub zdjąć osłonę kabla, należy postępować zgodnie ze wskazówkami producenta znajdującymi się w instrukcji obsługi projektora.
- Wymagana jest jedna śruba.

### ① Zamocuj kamerę na osłonie kabla.

Po zewnętrznej stronie osłony kabla, włóż dwa występy znajdujące się na uchwycie do otworów mocowania na osłonie kabla, a następnie wyrównaj położenie otworów mocowania. Zamocuj je śrubą włożoną od wewnątrz osłony kabla.



- ② Zamocuj osłonę kabla na projektorze.

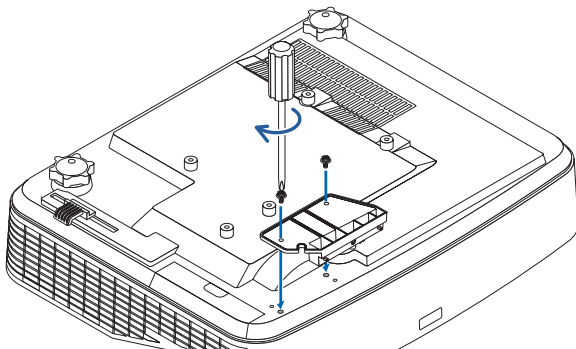


### Dla U321H

Wymagane są trzy śruby i osprzęt.

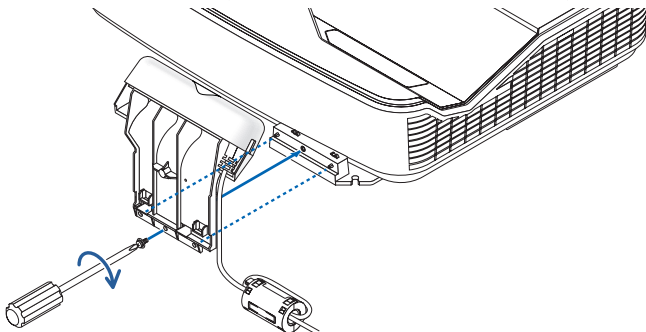
- ① Zamontuj osprzęt na projektorze.

Położ projektor spodem do góry i wsuń dwa występy znajdujące się na osprzęcie do otworów mocowania na projektorze, następnie wyrównaj położenie otworów mocowania. Przymocuj je dwiema śrubami.



- ② Zamocuj kamerę na osprzęcie.

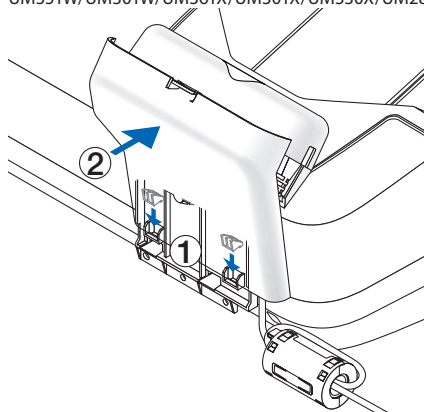
Położ projektor spodem do góry i włóż dwa występy znajdujące się na uchwycie do otworów mocowania na uchwycie, następnie wyrównaj położenie otworów mocowania. Przymocuj je jedną śrubą.



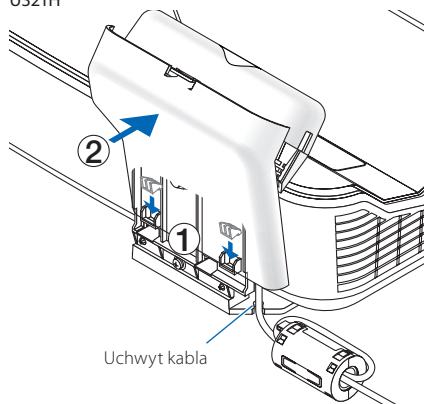
### 3. Zamontuj osłonę na uchwycie.

Wciśnij zaczepy na dole osłony do otworów mocowania na uchwycie, aż usłyszysz kliknięcie. Włóż kabel USB do wnętrza osłony. W przypadku modelu U321H, przeciągnij kabel USB przez wycięcie, używając go jako uchwytu kabla.

UM351W/UM301W/UM361X/UM301X/UM330X/UM280X/ UM330W/UM280W

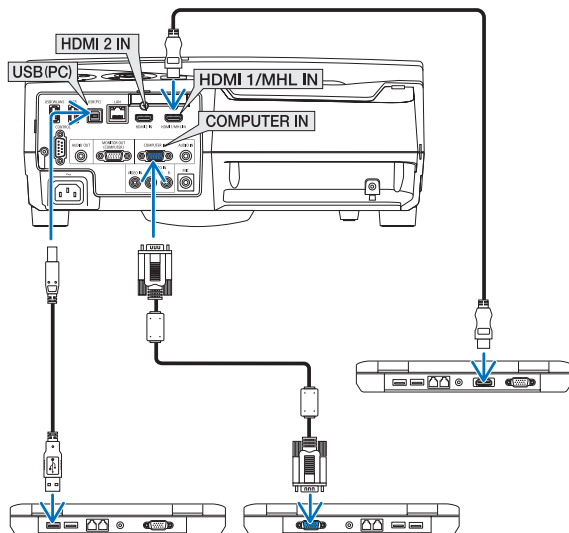


U321H



## 4. Podłącz projektor do komputera.

Projektor można podłączyć do komputera kablem komputerowym (w zestawie z projektorem) lub dostępnym w sprzedaży kablem HDMI.



## 5. Włącz zasilanie projektora i ustaw pozycję / ostrość wyświetlanego obrazu.

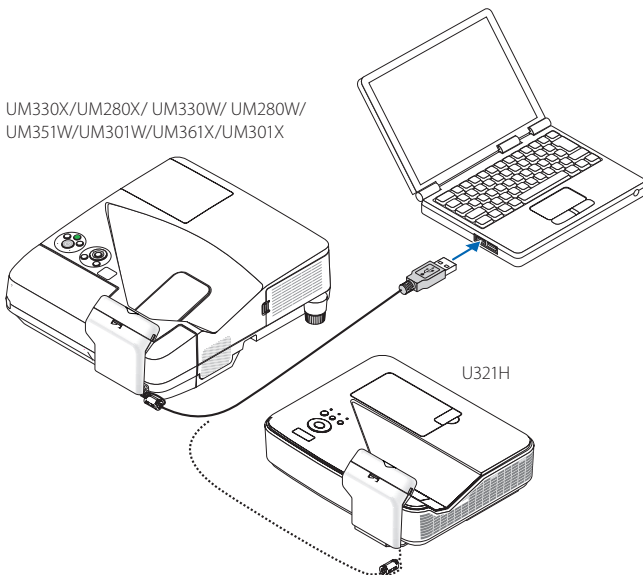
Procedura ustawiania znajduje się w instrukcji obsługi projektora.

## 6. Połącz komputer i kamerę za pomocą dołączonego kabla USB.

Podłącz końcówkę kabla USB (4,5 m/14,8 ft), którego inna końcówka została połączona do kamery, do portu USB (typu A) na komputerze.



UM330X/UM280X/ UM330W/ UM280W/  
UM351W/UM301W/UM361X/UM301X



## 7. Zainstaluj sterownik oraz oprogramowanie do kalibracji na komputerze, a następnie wykonaj kalibrację

Pobierz sterownik oraz oprogramowanie do kalibracji z naszej strony internetowej i zainstaluj je na komputerze.

URL: <http://www.nec-display.com/dl/en/index.html>

Instrukcja obsługi opisująca czynności instalowania i kalibracji jest dostępna w formacie PDF (Portable Document Format).

Aby oglądać lub drukować pliki PDF wymagany jest program Adobe Reader™.

Jeśli nie można otworzyć pliku PDF na komputerze, należy pobrać aktualną wersję programu Adobe Reader dla swojego systemu operacyjnego ze strony internetowej firmy Adobe Systems, a następnie zainstalować ją na komputerze.

---

### UWAGA

- Wymagane jest oprogramowanie do rysowania, aby użyć funkcji interaktywnej tablicy multimedialnej. Do produktu nie jest dołączone żadne oprogramowanie do rysowania. Skorzystaj z dostępnych w sprzedaży oprogramowań do rysowania.
-

# Rozwiązywanie problemów

---

## Rysik nie działa.

- Czy kabel USB łączy kamerę (port USB typ B) z komputerem (port USB typ A)?
- Czy sterownik i oprogramowanie do kalibracji zostało zainstalowane na komputerze?
- Czy rysik używany jest w jednym z następujących środowisk?
  - Jeśli światło słoneczne świeci bezpośrednio na powierzchnię ekranu lub aparat, należy zmienić miejsce położenia, które nie będzie wystawione na bezpośrednie światło słoneczne.
  - Jeśli światło halogenowe i/lub z żarówki świeci bezpośrednio na powierzchnię ekranu lub aparat, należy zmienić miejsce położenia, które nie będzie wystawione na bezpośrednie światło halogenowe i/lub słoneczne.
  - Nie należy używać ekranu, którego materiał obramowania odbija światło.

Wpływ światła zewnętrznego został opisany w rozdziale o rozwiązywaniu problemów w instrukcji oprogramowania NP04Wi. Patrz instrukcja obsługi oprogramowania na stronie wsparcia dla naszych projektorów, na naszej stronie internetowej, a następnie ustaw je w odpowiednim miejscu, gdzie nie będą się znajdowały w świetle.

- Czy kamera jest ustawiona we właściwej pozycji?
- Czy pisak został właściwie naładowany?  
Jeśli po naciśnięciu końcówki rysika dioda LED nie zaświeci się na czerwono, należy naładować rysik.
- Czy rozmiar ekranu i temperatura pracy znajdują się we właściwym zakresie?  
Używaj ekranu w efektywnym zasięgu.  
Rysika należy używać w temperaturze od 5 ° do 40 °C (41° do 104 °F).
- Czy obiektyw kamery jest czysty?  
Jeśli jest brudny, wytrzyj go miękką, suchą, niepuszystą ściereczką.

## Linie prowadzone rysikiem nie są takie jak te pokazane na ekranie.

- Czy czujnik została poprawnie skalibrowany?
- Jeśli przeprowadzenie automatycznej kalibracji nie pomoże, należy spróbować przeprowadzić kalibrację ręcznie.

# Dane techniczne

---

## Kamera

- Gniazdo: USB Typ B x 1
- Pobór mocy: 120 mA/5 V, 600 mW
- Waga: 70 g/2,5 oz
- Wymiary zewnętrzne: 135 (szer.) x 32 (wys.) x 36 (głęb.) mm/5,3" (szer.) x 1,3" (wys.) x 1,4" (głęb.) (bez wystających części)
- Efektywny zasięg: 60° do 100°
- Robocza temperatura i wilgotność powietrza: 5 ° do 40 °C (41° do 104 °F)/20 % do 80 % (bez kondensacji)
- Temperatura i wilgotność powietrza przechowywania: od -10 ° do 50 °C (14 ° to 122 °F)/20 % do 80 % (bez kondensacji)

## Rysik

- Waga: 25 g/0,9 oz
- Zasilanie: Rodzaj ładowania (superkondensator)
- Czas ładowania: 3 minuty
- Szacowana liczba ładowań akumulatora: 100 000
- Czas pracy: około 2 godziny
- Robocza temperatura i wilgotność powietrza: 5 ° do 40 °C (41° do 104 °F)/20 % do 80 % (bez kondensacji)
- Temperatura i wilgotność powietrza przechowywania: od -10 ° do 50 °C (14 ° to 122 °F)/20 % do 80 % (bez kondensacji)

대화식 화이트 보드 키트

# NP04Wi

---

## 설치 설명서

### 목차

소개 .....	KOR-2
시작하기 전에 읽어야 할 내용 .....	KOR-3
참고 .....	KOR-4
제품 폐기 .....	KOR-4
기능 .....	KOR-4
포장 품목 .....	KOR-5
부품 명칭 .....	KOR-6
설치 절차 .....	KOR-8
문제 해결 .....	KOR-14
사양 .....	KOR-14

# 소개

NEC 대화형 화이트보드(모델명: NP04WI)를 구입해주셔서 대단히 감사합니다.

이 제품을 NEC 프로젝터에 연결하여 화이트보드나 벽을 대화형 화이트보드로 사용할 수 있습니다. 함께 제공된 스타일러스 펜에는 수퍼 커패시터 전하 축적이 내장되어 있습니다. 스타일러스 펜을 처음 사용하기 전에 수퍼 커패시터를 3분간 충전해주시시오.

이 설명서에서는 UM351W를 예로 들어 연결을 설명하고 있습니다.

HDMI, HDMI High-Definition Multimedia Interface, HDMI 로고는 미국 및 다른 국가에서 HDMI Licensing LLC의 상표 또는 등록 상표입니다.

## 폐 제품의 폐기



각 회원국에 적용되는 EU 법규 규정에 따라, 이 표시(왼쪽)가 있는 폐 전기 전자 제품은 일반 생활 쓰레기와 별도로 폐기 처분해야 합니다. 이러한 제품을 폐기할 때 해당 지역 당국의 지침을 따르거나 제품 구매점에 문의하십시오.

이러한 폐 제품은 수거 후 적절한 방법으로 재활용 또는 재생됩니다. 이러한 노력을 통해서 폐기물도 줄이고 부품에 함유된 수은 등이 인체의 건강과 환경에 미치는 나쁜 영향을 최소화할 수 있습니다.

전기 전자 제품에 있는 표시는 현재 EU 회원국에만 적용됩니다.

제품명 : Interactive White Board Kit	
모델명 : NP04WI	
제조/국가 :	
SUZHOU SHIN-EI SANGYO	
CO., LTD./CHINA	
입력전력 : 5V ~ 120mA	
생산일: 일련번호에 표기	MSIP-REM-NDS-NP04WI
인증 서비스 센터 전화 번호 :	
080-022-1155 (호성 ITX 주식회사)	
* 본 라벨과 전화번호는 국내 규정 내에서 적절한 목적으로만 사용되어야 합니다	

## 주의 사항



- (1) 이 설명서의 내용을 무단으로 복제하는 행위는 금지되어 있습니다.
- (2) 이 설명서의 내용은 사전 예고 없이 변경될 수 있습니다.
- (3) 이 설명서의 내용은 신중한 주의를 기울여 준비되었지만 확실하지 않은 부분이나 실수 또는 누락이 있는 경우 NEC에 알려주시기 바랍니다.
- (4) NEC는 위의 (3)번 항목과 관계 없이 이 제품을 사용하면서 발생한 모든 손해, 이익의 손실 등의 모든 클레임에 대해 일체 그 책임을 지지 않습니다.
- (5) 배열이 잘못되었거나 누락된 페이지가 있는 설명서는 NEC에서 교환해드립니다.

# 시작하기 전에 읽어야 할 내용




## 픽토그램 정보







이 제품의 안전하고 올바른 사용을 안내하기 위해 이 설치 설명서에서는 여러 가지 픽토그램을 사용하여 사용자와 타인의 부상과 재산상의 손해가 발생하지 않도록 하고 있습니다.

이러한 픽토그램과 해당 의미는 아래에서 설명합니다. 이 설명서를 읽기 전에 이러한 내용을 충분히 이해하시기 바랍니다.

 <b>경고</b>	이 픽토그램을 무시하고 제품을 잘못 취급하면 중상이나 사망에 이르는 사고가 발생할 수 있습니다.
 <b>주의</b>	이 픽토그램을 무시하고 제품을 잘못 취급하면 사람의 부상이나 재산상의 손해를 야기할 수 있습니다.

## 픽토그램의 예

	△ 기호는 주의(경고 포함)를 요하는 지침을 나타냅니다. 주의의 구체적인 표시는 기호 안에 있습니다.
	⊘ 기호는 금지된 작업/조치를 나타냅니다. 금지된 작업/조치의 구체적인 표시는 기호 안에 있습니다.
	● 기호는 필수적인 작업/조치를 나타냅니다. 필수적인 작업/조치의 구체적인 표시는 기호 안에 있습니다.

 <b>경고</b>	
	• 프로젝터를 천장이나 벽에 설치하기 전에 제품을 프로젝터에 설치하십시오. 천장이나 벽에 프로젝터를 설치한 후에 제품을 설치하면 카메라 장치가 제대로 고정되지 않거나 떨어져 상해를 입을 수 있습니다. 또한 카메라 장치가 손상될 수 있습니다.
	• 카메라 장치에 고정된 후에는 나사가 단단히 조여졌는지 확인합니다. 그렇지 않으면 카메라 장치가 떨어져 상해를 입을 수 있습니다. 또한 카메라 장치가 손상될 수도 있습니다.
	• 프로젝터를 운반할 때 카메라 장치를 꼭 잡거나 무리하게 힘을 가하지 마십시오. 카메라 장치가 손상되어 상해를 입을 수 있습니다.
	• 제품을 다음 장소에 보관하지 마십시오. <ul style="list-style-type: none"><li>- 물기 있는 곳, 욕실 또는 습기가 있는 방</li><li>- 직사광선이 비치는 곳, 난방기 또는 방열 가전제품 근처</li><li>- 먼지가 많거나 연기가 자욱하거나 습한 환경</li><li>- 고온의 장소</li></ul>
	• 스타일러스 펜을 분해하거나 개조하지 마십시오. 스타일러스 펜에 충격을 가하거나 구부리지 마십시오. 스타일러스 펜이 손상되고 상해를 입을 수 있습니다.

# 참고

---

- 화면 크기가 100인치 이하인 평평하고 단단한 화면에 사용하십시오.
- 일부 화면의 경우, 스타일러스 펜 촉에 의해 긁힐 수 있습니다. 스타일러스 펜을 사용하기 전에 펜 축으로 인해 화면 표면이 손상되지 않는지 확인하기 위해 눈에 잘 안 띄는 곳에 테스트해보십시오.
- 아래에 나온 영역에 스타일러스 펜을 사용하지 마십시오.  
스타일러스 펜이 고장 날 수 있습니다.
  - 직사광선이 화면 표면과 카메라 장치에 닿는 부분입니다.
  - 할로겐 또는 필라멘트 램프의 빛이 화면 표면과 카메라 장치에 닿는 부분입니다.
  - 이 경우, 빛을 반사하는 재료가 스타일러스 펜 작동 영역 내에 사용되고 있습니다. (예: 화면 프레임)
- 아래에 나온 환경에서 스타일러스 펜을 사용하지 마십시오. 스타일러스 펜이 고장 날 수 있습니다.
  - 적외선 리모콘을 사용할 때.
- 스타일러스 펜이 작동하기 위한 작동 온도 범위는 5°~40°C (41°~104°F)입니다.
- 카메라 장치를 장착하거나 제거할 때 지정된 나사 이외에 다른 나사를 분리하지 마십시오.

# 제품 폐기

---

- 제품을 폐기하실 때는 구매처나 관할 기관에 폐기 방법을 문의하시기 바랍니다.

# 기능

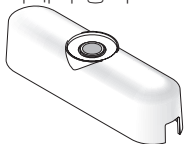
---

- 양방향 전자 화이트보드 기능  
드로잉 소프트웨어가 있으면 화이트보드나 벽면을 양방향 화이트보드로 사용할 수 있으며 제공된 스타일러스 펜으로 화면에 그림을 그리거나 노트 필기를 할 수 있습니다.  
또한 터치 모듈(NP01TM 별매)과 함께 사용하면 화이트보드나 벽에 손으로 그림을 그릴 수 있습니다.  
지원되는 프로젝트:
  - UM330X, UM280X, UM330W, UM280W
  - UM351W, UM301W, UM361X, UM301X
  - U321H\* 위에 나열된 지원되는 프로젝트와 전용 홀더 이외의 제품에는 설치하지 마십시오.
- 여러 명이 동시에 스타일러스 펜으로 그림을 그리거나 필기를 할 수 있습니다.  
보통 제품 당 스타일러스 펜 2개가 제공됩니다. 스타일러스 펜은 별도로 구매하실 수 있습니다 (NP02P).  
이 제품에서 스타일러스 펜을 최대 10개까지 동시에 사용할 수 있습니다.  
하지만 드로잉 소프트웨어에 따라 사용 가능한 최대 스타일러스 펜의 수는 달라질 수 있습니다.  
드로잉 소프트웨어 사용에 대해서는 소프트웨어에 동봉된 사용 설명서를 참조하십시오.
- 자동 보정 기능  
자동 보정 기능 덕분에 위치를 쉽게 조절할 수 있습니다.

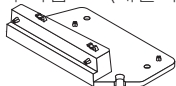
# 포장 품목

포장 상자에 목록의 모든 품목이 들어 있는지 확인하십시오. 누락된 품목이 있는 경우 해당 구매점에 문의하십시오.

- 카메라 장치 x 1



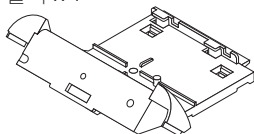
- 부속품 x 1 (애플리케이션 모델: U321H)



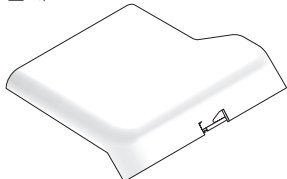
- 개스킷 x 1 (애플리케이션 모델: U321H)



- 홀더 x 1

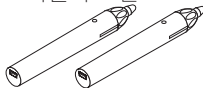


- 덮개 x 1

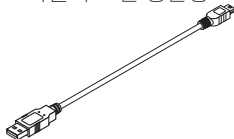


홀더와 덮개는 조립됩니다.

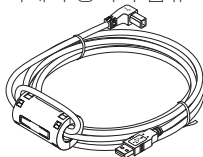
- 스타일러스 펜 x 2



- USB 케이블 x 1  
스타일러스 펜 충전용



- USB 케이블 (4.5 m/14.8피트) x 1  
카메라 장치와 컴퓨터 연결용



- 설치 설명서(본 문서) x 1



- 나사 (M3) x 4

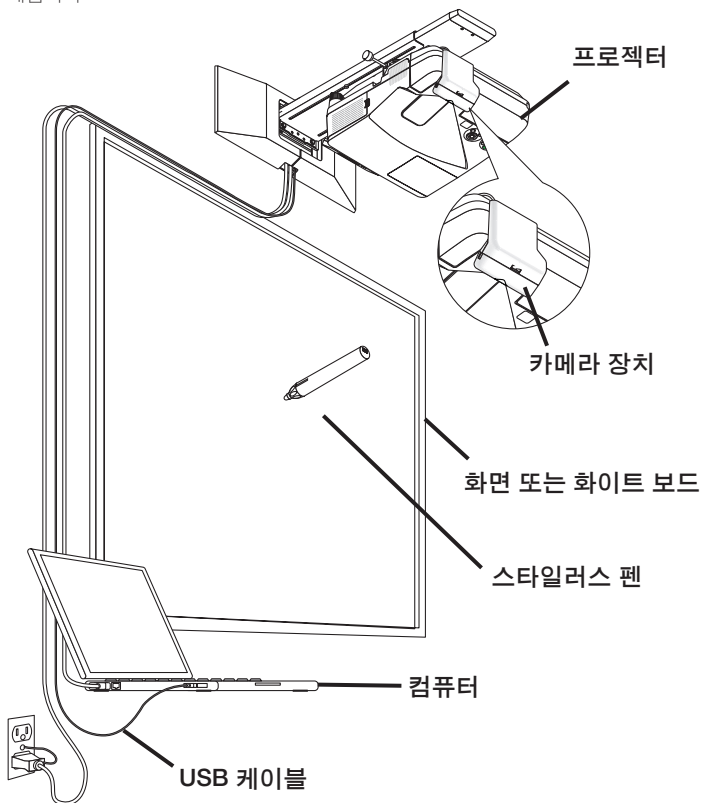


## 참고

- 컴퓨터에 설치하시려면 저희 웹사이트에서 드라이버 및 보정 소프트웨어를 다운로드 받으십시오.  
URL: <http://www.nec-display.com/dl/en/index.html>
- 대화형 화이트보드 기능을 사용하려면 드로잉 소프트웨어가 필요합니다.  
이 제품에는 드로잉 소프트웨어가 포함되어 있지 않습니다. 드로잉 소프트웨어를 별도로 구매하십시오.

# 부품 명칭

다음 그림은 프로젝터가 장착된 상태의 선택형 벽면 장착 장치(모델명: NP04WK)에 대한 예입니다.





## 제공된 스타일러스 펜의 부품명

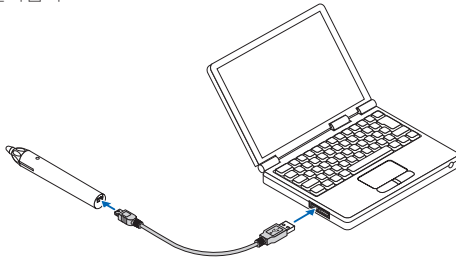
펜 축

표시등(LED)

충전용 포트(USB)

## 스타일러스 펜 충전

함께 제공된 스타일러스 펜 충전용 USB 케이블을 사용하여 스타일러스 펜의 충전 포트(USB)와 컴퓨터의 USB 포트를 연결하십시오.



스타일러스 펜 충전이 시작됩니다. 충전은 약 3분 정도면 완료됩니다.

- 펜축을 화면이나 화이트보드에 대고 누르면 표시등 LED가 빨간색으로 변합니다. 이는 충전이 완료되었고, 스타일러스 펜을 사용할 수 있다는 사실을 나타냅니다. 빨간색 LED가 꺼지면 스타일러스 펜을 충전하십시오.

## 스타일러스 펜 사용 시 주의 사항

- 스타일러스 펜을 바닥에 떨어뜨리거나 잘못 다루어 펜이 손상되지 않도록 하십시오.
- 스타일러스 펜에 물이나 다른 액체가 닿지 않도록 하십시오. 스타일러스 펜이 물에 젖으면 즉시 닦아 말리십시오.
- 되도록이면 열기와 습기를 피하십시오.

# 설치 절차

## 설치 방법

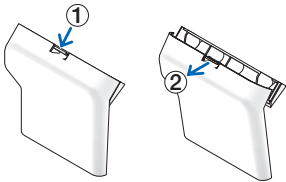
1. USB 케이블과 홀더를 카메라 장치에 연결합니다.
2. 카메라 장치를 프로젝터에 고정시킵니다.  
\* U321H에 대한 고정 절차는 다른 모델과 다릅니다.
3. 덮개를 홀더 위에 장착합니다.
4. 프로젝터와 컴퓨터를 연결합니다.
5. 프로젝터 전원을 켜고 위치를 조정한 다음 투사된 영상의 초점을 맞춥니다.
6. 카메라에 연결된 터미널에 있는 USB 케이블을 컴퓨터와 연결합니다.
7. 드라이버와 보정 소프트웨어를 컴퓨터에 설치하고 보정을 실행합니다.

## ⚠ 경고

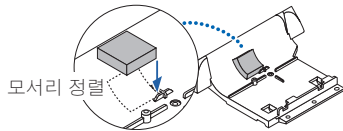
- 프로젝터를 천장이나 벽에 설치하기 전에 제품을 프로젝터에 설치하십시오. 천장이나 벽에 프로젝터를 설치한 후에 제품을 설치하면 카메라 장치가 제대로 고정되지 않거나 떨어져 상해를 입을 수 있습니다. 또한 카메라 장치가 손상될 수도 있습니다.
- 카메라 장치에 고정한 후에는 나사가 단단히 조여졌는지 확인합니다. 그렇지 않으면 카메라 장치가 떨어져 상해를 입을 수 있습니다. 또한 카메라 장치가 손상될 수도 있습니다.
- 프로젝터를 운반할 때 카메라 장치를 꼭 잡거나 무리하게 힘을 가하지 마십시오. 카메라 장치가 손상되어 상해를 입을 수 있습니다.

## 준비:

- 십자 드라이버를 준비합니다.
- 그러나 홀더와 덮개는 운송용 보관 상태이므로 덮개에 있는 버튼을 눌러 홀더를 제거합니다.



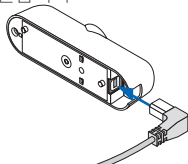
U321H에 장착하려면 홀더에 있는 개스킷을 밀봉해야 합니다. 개스킷 뒷면에 있는 이형지를 벗겨내고 그림의 화살표 위치에 부착합니다.



## 1. USB 케이블과 홀더를 카메라 장치에 연결합니다.

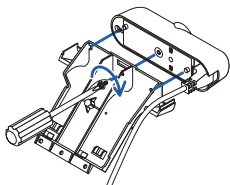
### ① USB 케이블과 홀더를 카메라 장치에 연결합니다.

제공된 USB 케이블(4.5m/14.8ft)의 L자 터미널을 카메라 장치에 있는 USB 포트(B형)에 연결합니다.



### ② 카메라 장치를 홀더에 고정시킵니다.

카메라 장치에 있는 돌출부 두 군데를 홀더의 고정용 구멍 안에 맞물리게 한 다음 나사 구멍의 위치를 정렬합니다. 나사 한 개로 카메라 장치를 고정합니다.



## 2. 카메라 장치를 프로젝터에 고정시킵니다.

\* U321H에 대한 고정 절차는 UM351W, UM301W, UM361X, UM301X, UM330X, UM280X, UM330W, UM280W와 같은 다른 모델과 다릅니다.

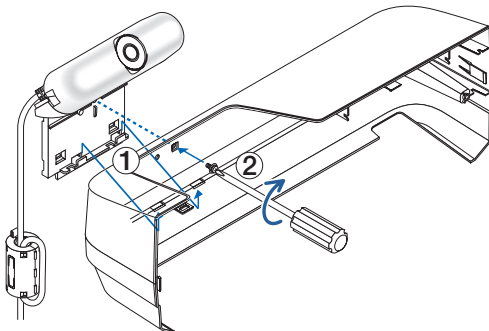
### UM351W/UM301W/UM361X/UM301X/UM330X/UM280X/UM330W/UM280W의 경우

- 케이블 덮개가 프로젝터에 장착된 경우 이를 제거합니다. 케이블 덮개를 장착 및 분해하려면 프로젝터 사용설명서의 지침을 따르십시오.
- 나사 한 개가 필요합니다.

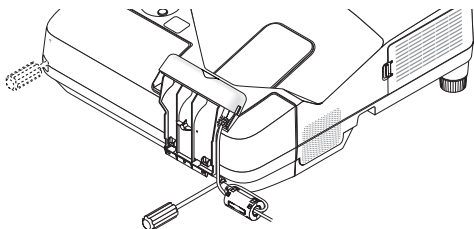
### ① 카메라 장치를 케이블 덮개에 고정시킵니다.

케이블 덮개 외부에서 홀더에 있는 돌출부 두 군데를 케이블 덮개의 고정용 구멍 안에 맞물리게 한 다음 고정용 구멍의 위치를 정렬합니다.

케이블 덮개 안쪽에서 나사를 돌려 단단히 고정시켜 줍니다.



- ② 케이블 덮개를 프로젝터에 고정시킵니다.

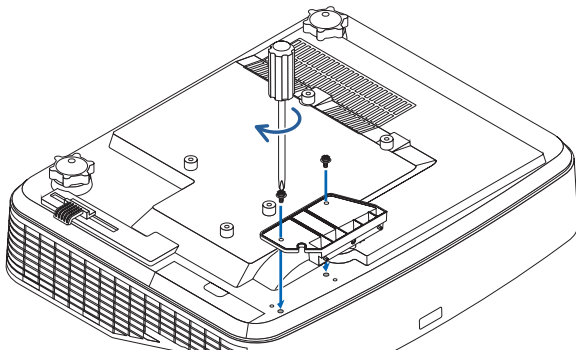


### U321H의 경우

나사 세 개와 부속품이 필요합니다.

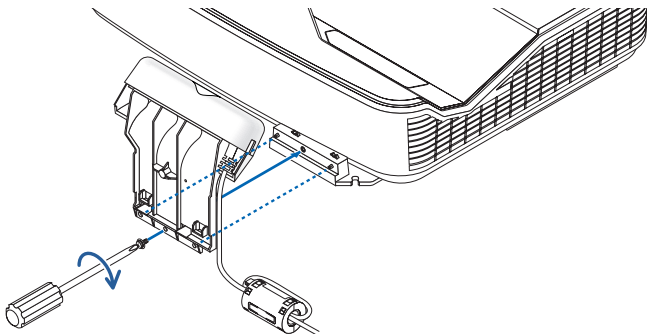
- ① 부속품을 프로젝터에 장착합니다.

프로젝터 아랫면을 위로 하고 부속품에 있는 돌출부 두 군데를 프로젝터의 고정용 구멍에 밀어 넣은 다음 고정용 구멍의 위치를 정렬합니다. 나사 두 개로 고정시켜 줍니다.



- ② 카메라 장치를 부속품에 고정시킵니다.

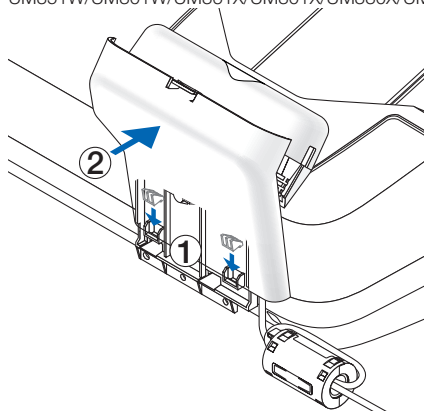
프로젝터를 똑바로 한 상태로 홀더에 있는 돌출부 두 군데를 홀더의 고정용 구멍 안에 맞물리게 한 다음 고정용 구멍의 위치를 정렬합니다. 나사 한 개로 고정시켜 줍니다.



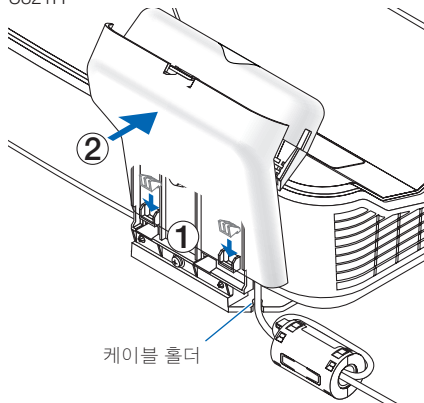
### 3. 덮개를 홀더 위에 장착합니다.

딸각하는 소리가 날 때까지 덮개 뒷면에 있는 돌출부를 홀더의 고정용 구멍까지 밀어줍니다. USB 케이블을 덮개 안쪽에 둡니다. U321H에서는 USB 케이블을 케이블 홀더에 있는 홈에 통과시킵니다.

UM351W/UM301W/UM361X/UM301X/UM330X/UM280X/ UM330W/UM280W

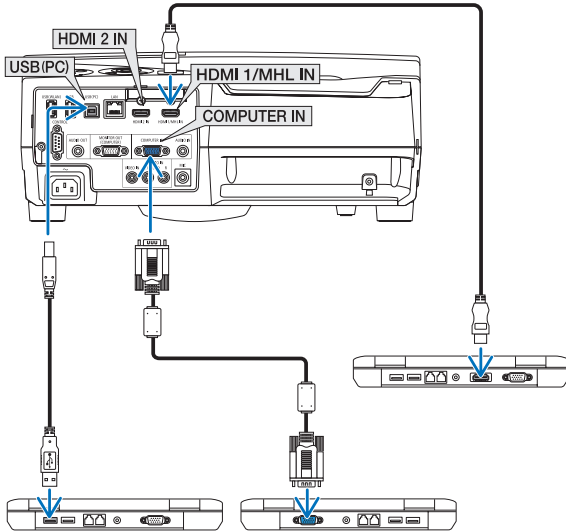


U321H



#### 4. 프로젝터를 컴퓨터에 연결합니다.

(프로젝터와 함께 제공된) 컴퓨터 케이블이나 시중에서 구매 가능한 HDMI 케이블을 사용하여 프로젝터를 컴퓨터에 연결할 수 있습니다.



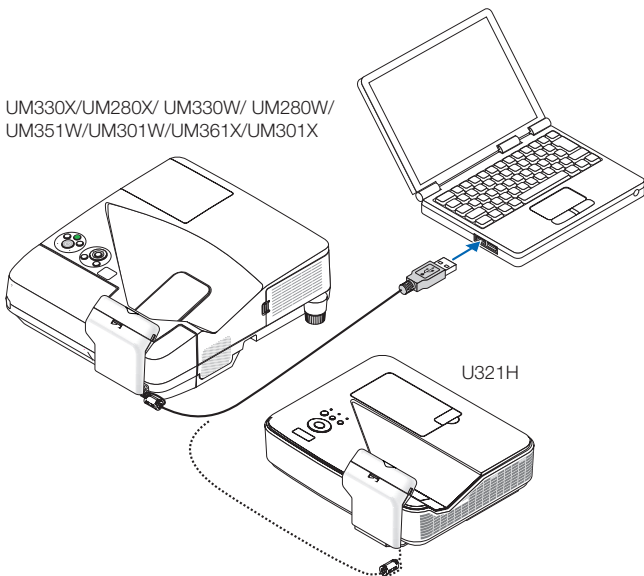
#### 5. 프로젝터 전원을 켜고 주사된 이미지의 위치와 포커스를 조절하십시오.

조절 방법은 프로젝터 사용 설명서를 참조하십시오.

#### 6. 포함된 USB 케이블로 컴퓨터와 카메라를 연결하십시오.

다른 터미널에 카메라 장치를 연결한 USB 케이블(4.5m/14.8ft)의 터미널을 컴퓨터의 USB 포트(A형)에 연결합니다.

UM330X/UM280X/ UM330W/ UM280W/  
UM351W/UM301W/UM361X/UM301X



## 7. 드라이버와 보정 소프트웨어를 컴퓨터에 설치하고 보정을 실행합니다.

당사 웹사이트에서 드라이버와 보정 소프트웨어를 다운로드한 다음 컴퓨터에 설치합니다.  
URL: <http://www.nec-display.com/dl/en/index.html>

설치 및 보정 사용설명서(PDF)를 다운로드할 수 있습니다.

PDF 파일을 보거나 인쇄하려면 Adobe Reader™가 필요합니다.

컴퓨터에서 PDF 파일이 열리지 않으면 Adobe Systems 웹사이트에서 OS에 맞는 최신 Adobe Reader 프로그램을 다운로드한 다음 컴퓨터에 설치하십시오.

---

## 참고

- 대화형 화이트보드 기능을 사용하려면 드로잉 소프트웨어가 필요합니다. 이 제품에는 드로잉 소프트웨어가 포함되어 있지 않습니다. 드로잉 소프트웨어를 별도로 구매하십시오.
-

# 문제 해결

---

## 스타일러스 펜이 작동하지 않습니다.

- USB 케이블이 컴퓨터(A형 USB 포트)와 카메라(B형 USB 포트) 사이에 연결되어 있나요?
- 컴퓨터에 드라이버와 보정 소프트웨어가 설치되어 있나요?
- 스타일러스 펜을 다음과 같은 환경 중 한 곳에서 사용하고 있나요?
  - 직사광선이 화면 및/또는 카메라 장치에 닿는 경우, 직사광선에 노출되지 않은 곳으로 설치 장소를 변경하십시오.
  - 할로겐 및/또는 필라멘트 램프의 빛이 화면 및/또는 카메라 장치에 직접 닿는 경우, 화면 및/또는 카메라 장치의 설치 방향을 변경하거나 램프 빛을 차단하십시오.
  - 빛을 반사하는 프레임 재료를 사용하는 화면은 사용하지 마십시오.
- 외부 조명의 영향은 NP04Wi 소프트웨어 안내서의 문제해결 항목에 설명되어 있습니다. 웹사이트에 업로드된 프로젝터의 지원 페이지에 나와 있는 소프트웨어 안내서를 참조하신 뒤, 프로젝터가 빛에 의해 영향을 받지 않는 적절한 장소에 설치하십시오.
- 카메라가 정확한 위치에 설치되어 있나요?
- 스타일러스 펜이 충전되어 있나요?
  - 펜 촉을 눌러도 LED가 빨간색으로 바뀌지 않으면 스타일러스 펜을 충전하십시오.
- 화면 크기와 사용 온도가 적절한 범위 이내에 있나요?
  - 화면을 유효 거리 내에서 사용하십시오.
  - 스타일러스 펜을 5°~40°C (41°~104°F) 내에서 사용하십시오.
- 카메라 렌즈가 오염되었나요?
  - 렌즈가 오염되었다면, 부드럽고, 보풀이 없는 마른 천으로 닦아 주십시오.

## 스타일러스로 그은 선이 화면과 일치되지 않습니다.

- 센서가 적절하게 보정되었나요?
- 자동 보정으로 문제가 해결되지 않는다면 수동 보정을 시도해 보십시오.

# 사양

---

## 카메라 장치

- 입력 단자: USB B형 x 1
- 소비 전력: 120 mA/5 V, 600 mW
- 중량: 70 g/2.5 oz
- 외부 크기: 135(너비) × 32(높이) × 36(깊이) mm/5.3인치(너비) × 1.3인치(높이) × 1.4인치(깊이) (돌출부 제외)
- 유효 거리: 60인치 ~ 100인치
- 작동 온도 및 습도: 5°~40°C (41°~104°F)/20% to 80% (결로현상 없을 것)
- 보관 온도 및 습도: -10°~50°C (14°~122°F)/20%~80% (결로현상 없을 것)

## 스타일러스 펜

- 중량: 25 g/0.9 oz
- 전원 장치: 충전형(수퍼 커패시터)
- 충전 시간: 3분
- 배터리 충전 횟수: 100,000회
- 작동 시간: 약 2시간
- 작동 온도 및 습도: 5°~40°C (41°~104°F)/20% to 80% (결로현상 없을 것)
- 보관 온도 및 습도: -10°~50°C (14°~122°F)/20%~80% (결로현상 없을 것)



電子黒板キット

# NP04Wi

---

## インストールレーションマニュアル

### 目次

はじめにお読みください.....	JPN-2
本機を安全にお使いいただくために、ご使用の前に必ずお 読みください.....	JPN-3
特長.....	JPN-4
同梱の部品一覧.....	JPN-5
各部の名称.....	JPN-6
セットアップのしかた.....	JPN-8
トラブルシューティング.....	JPN-14
仕様.....	JPN-14
保証とサービス.....	JPN-15
電子黒板キット保証書.....	JPN-16

# はじめにお読みください

このたびは、電子黒板キット「NP04Wi」をお買い上げいただき誠にありがとうございます。プロジェクター本体に取り付けて、描画用ソフトウェアと組み合わせることで、ホワイトボードや壁を電子ホワイトボードとして使用することができます。

添付の電子ペンは充電式です。初めてお使いになるときは、先に3分間充電してください。

本書では、NP-UM351WJL との接続を主にして説明しています。

この装置は、クラスB 情報技術装置です。この装置は、家庭環境で使用することを目的としていますが、この装置がラジオやテレビジョン受信機に近接して使用されると、受信障害を引き起こすことがあります。取扱説明書に従って正しい取り扱いをしてください。

VCCI-B

## 輸出に関する注意事項

本製品の輸出（個人による携帯を含む）については、日本国および外国の法に基づいて許可が必要となる場合があります。

必要な許可を取得せずに輸出すると同法により罰せられます。

輸出に際しての許可の要否については、NEC プロジェクター・カスタマサポートセンターにお問い合わせください。

HDMI は、HDMI Licensing, LLC の登録商標または商標です。



## ご注意

- (1) 本書の内容の一部または全部を無断転載することは禁止されています。
- (2) 本書の内容に関しては将来予告なしに変更することがあります。
- (3) 本書は内容について万全を期して作成いたしましたが、万一ご不審な点や誤り、記載もれなどお気付きのことがありましたらご連絡ください。
- (4) 本機の使用を理由とする損害、逸失利益等の請求につきましては、当社では (3) 項にかかわらず、いかなる責任も負いかねますので、あらかじめご了承ください。
- (5) 乱丁、落丁はお取り替えいたします。




# 本機を安全にお使いいただくために、ご使用の前に必ずお読みください

## 絵表示について





この「インストールマニュアル」では、製品を安全に正しくお使いいただき、あなたや他の人々への危害や財産への損害を未然に防止するために、いろいろな絵表示をしています。その表示と意味は次のようになっています。内容をよく理解してから本文をお読みください。

 <b>警告</b>	この表示を無視して、誤った取り扱いをすると、人が死亡やけがをするなど人身事故の原因となります。
 <b>注意</b>	この表示を無視して、誤った取り扱いをすると、人がけがをしたり周囲の家財に損害をあたえたりすることがあります。

## 絵表示の例

	△ 記号は注意（警告を含む）をうながす内容があることを告げるものです。図の中に具体的な注意内容が描かれています。
	⊘ 記号はしてはいけないことを表しています。図の中に具体的な禁止内容が描かれています。
	● 記号はしなければならないことを表しています。図の中に具体的な指示内容が描かれています。

## 警告

-  セットアップは、必ずプロジェクターを天井や壁に設置する前に行ってください。天井や壁に設置した状態で行くと、正しくセットアップができずに、カメラユニットが外れてけがをするおそれがあります。また、落下してカメラユニットが破損する原因となります。
-  カメラユニットを取り付け後、必ずネジ止めてください。確実に固定されていないと、カメラユニットが外れてけがをするおそれがあります。また、落下してカメラユニットが破損する原因となります。
-  カメラユニット部分を持つての移動や無理な力を加えることはしないでください。カメラユニットが破損しけがをするおそれがあります。
  - 次のような所では使用しないでください。
    - ・ 水にぬれるおそれがある所
    - ・ 屋外および湿気やほこりの多い所
    - ・ 油煙や湯気が当たる所
    - ・ 高温になる所万一カメラユニットの内部に水などが入った場合は、使用を中止して、NEC プロジェクター・カスタマーサポートセンターにご連絡ください。
-  電子ペンを分解、改造しないでください。また、衝撃をあたえたり、曲げたりしないでください。電子ペンが破損しけがをするおそれがあります。

# お願い

---

- ・スクリーンは、表面が比較的硬いハードタイプかつ表面がフラットなものを使用してください。また、スクリーンサイズは、100型以下のものを使用してください。
- ・スクリーン面の材質によっては、電子ペンを接触した際に、スクリーン面に傷が付く場合があります。電子ペンを使用する前に、スクリーンの端などの目立たない部分で、電子ペンによって傷が付かないか試してください。
- ・次のような所では使用しないでください。電子ペンが正常に動作しないことがあります。
  - ・スクリーン面やカメラユニットに直射日光が当たる場所
  - ・スクリーン面やカメラユニットに、ハロゲンランプやフィラメントタイプの電球などの光が当たる場所
  - ・スクリーンの枠などに光を反射するような材質が使われている所
- ・次のような場合は、電子ペンが正常に動作しないことがあります
  - ・赤外線リモコンを使用しているとき
- ・電子ペン機能の動作保証温度範囲は、5～40℃です。
- ・カメラユニットを取り付けるとき、または取り外すときは、指定以外のねじは外さないでください。故障の原因となります。

# 本製品の廃棄について

---

- ・本製品を廃棄する際は、お買い上げの販売店、または自治体にお問い合わせください。

# 特長

---

- ・プロジェクター本体にカメラユニットを取り付けることにより、電子ホワイトボード機能を実現  
描画用ソフトウェアと組み合わせることで、ホワイトボードや壁を電子ホワイトボードとして使用することができ、添付の電子ペンで投写画面に書き込みが行えます。  
また、タッチモジュール（別売品：NP01TM）と組み合わせると、指での書き込みが可能になります。  
対応プロジェクター
  - ・ NP-UM330XJL、NP-UM330WJL
  - ・ NP-UM361XJL、NP-UM351WJL
  - ・ NP-U321HJD※ 上記以外のプロジェクターや、本製品以外の電子黒板キットのホルダーには取り付けられないでください。
- ・複数の電子ペンを使って同時に書き込みが可能  
電子ペンは2本を標準添付し、別売品（NP02Pi）もご用意しています。  
本製品において、同時に書き込むことができるのは10本までです。  
ただし、お使いの描画用ソフトウェアによって、同時に書き込みができる本数は異なります。  
使い方については描画用ソフトウェアの取扱説明書をご覧ください。
- ・オートキャリブレーションに対応  
位置合わせを自動で行うため設置が簡単です。

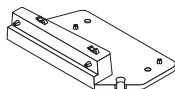
# 同梱の部品一覧

同梱品をご確認ください。

- カメラユニット：1個



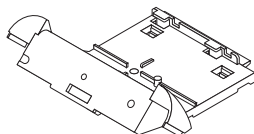
- アタッチメント：1個  
(適応機種：NP-U321HJD)



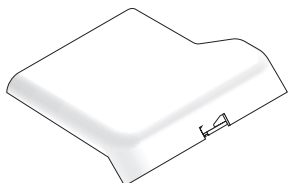
- クッション：1個  
(適応機種：NP-U321HJD)



- ホルダー：1個

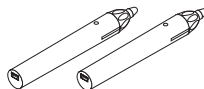


- カバー：1個

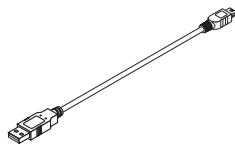


ホルダーとカバーは、組み立てた状態で同梱しています。

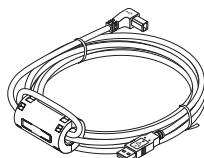
- 電子ペン：2本



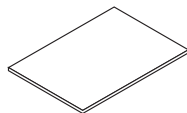
- USBケーブル：1本  
電子ペン充電用



- USBケーブル (4.5m)：1本  
コンピュータとカメラユニットの接続用



- インストラクションマニュアル(本書)：1冊



- ネジ (M3：4本)

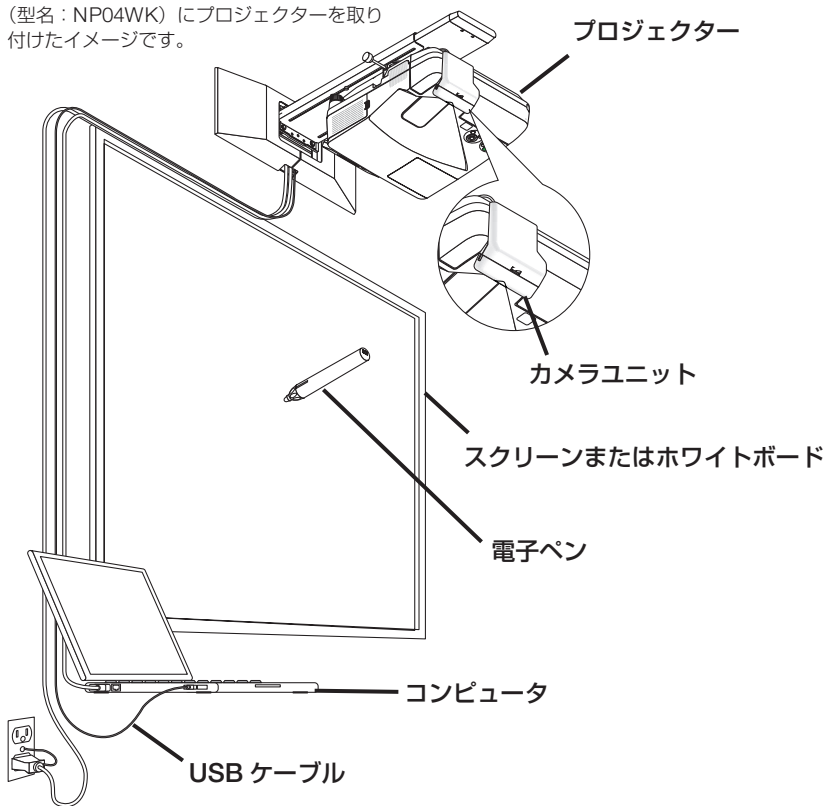


## お知らせ

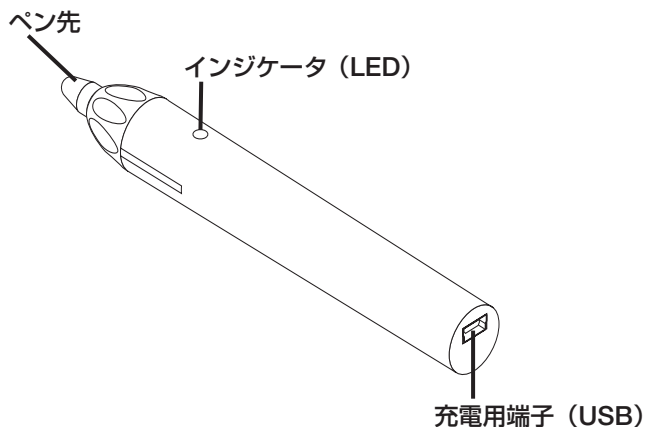
- ・ ドライバーとキャリブレーションソフトウェアは、当社プロジェクターのサポートページからダウンロードしてインストールしてください。  
URL： <http://www.nec-display.com/dl/jp/pj/soft/lineup.html>
- ・ 電子ホワイトボード機能を使用するためには、描画用ソフトウェアが必要です。  
この電子黒板キットには同梱されていないので、市販の描画用ソフトウェアをご用意ください。

# 各部の名称

このイラストは、別売の壁用取付けユニット  
(型名：NP04WK) にプロジェクターを取り  
付けたイメージです。

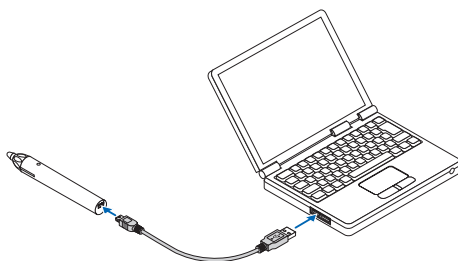


## 電子ペン各部の名称



## 充電のしかた

電子ペンの充電用端子 (USB) とコンピュータの USB 端子を添付の USB ケーブル (電子ペン充電用) で接続する。



自動で充電を開始し、3分ほどで完了します。

- ・ ペン先を押した時にインジケータ (LED) が赤く点灯するのは、使用可能状態を表します。使用中にインジケータ (LED) が点灯しなくなったときは、再度充電してください。

## 電子ペンの使用上の注意

- 電子ペンを落としたり、誤った取り扱いはいししないでください。
- 電子ペンに水や液体をかけないでください。万一ぬれた場合は、すぐにふき取ってください。
- できるだけ熱や湿気の少ないところで使用してください。

# セットアップのしかた

## セットアップの流れ

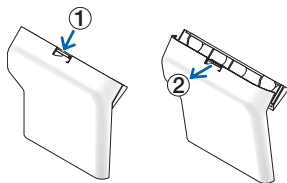
1. USB ケーブルとホルダーをカメラユニットに取り付ける
2. カメラユニットをプロジェクターに取り付ける
  - NP-UM361XJL/NP-UM351WJL/NP-UM330XJL/NP-UM330WJL の場合
  - NP-U321HJD の場合
3. カバーをホルダーに取り付ける
4. プロジェクターをコンピュータに接続する
5. プロジェクターの電源を入れ、投写画像の位置・フォーカスを調整する
6. 添付の USB ケーブルでコンピュータとカメラユニットを接続する
7. ドライバーとキャリブレーションソフトウェアをコンピュータにインストールして、キャリブレーションを行う

### 警告

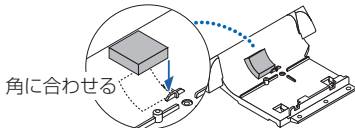
- ・ セットアップは、必ずプロジェクターを天井や壁に設置する前に行ってください。天井や壁に設置した状態で行うと、正しくセットアップができずに、カメラユニットが外れてけがをするおそれがあります。また、落下してカメラユニットが破損する原因となります。
- ・ カメラユニットを取り付け後、必ずネジ止めしてください。確実に固定されていないと、カメラユニットが外れてけがをするおそれがあります。また、落下してカメラユニットが破損する原因となります。
- ・ カメラユニット部分を持つての移動や無理な力を加えることはしないでください。カメラユニットが破損しけがをするおそれがあります。

### 準備：

- ・ プラスドライバーを用意してください。
- ・ ホルダーとカバーは、組み立てた状態で同梱しています。カバーのボタンを押して引き、ホルダーから取り外してください。



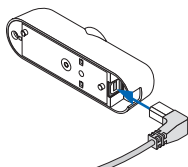
NP-U321HJD に取り付ける場合は、ホルダーにクッションを貼り付けます。クッション裏面の剥離紙をはがして、プロジェクターへ取り付ける側の、図の位置に貼り付けてください。



## 1. USB ケーブルとホルダーをカメラユニットに取り付ける

### 1. USB ケーブルをカメラユニットに接続する

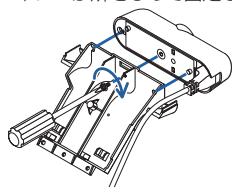
添付の USB ケーブル (4.5m) の L 型コネクタ側を、カメラユニットの USB ポート (タイプ B) に接続します。





## 2. カメラユニットをホルダーに取り付ける

カメラユニットの2つの突起をホルダーの取り付け穴に入れ、ネジ穴を合わせます。  
ネジ1か所をしめて固定します。



## 2. カメラユニットをプロジェクターに取り付ける

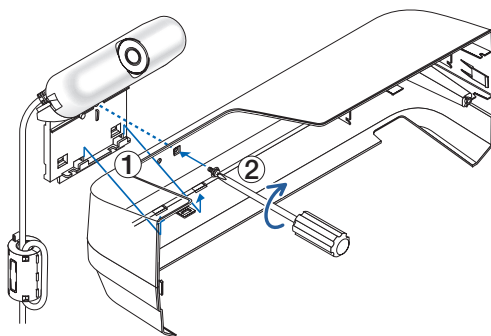
NP-UM361XJL/NP-UM351WJL/NP-UM330XJL/NP-UM330WJL と NP-U321HJD では、取り付け方法が異なります。

### ■ NP-UM361XJL/NP-UM351WJL/NP-UM330XJL/NP-UM330WJL の場合

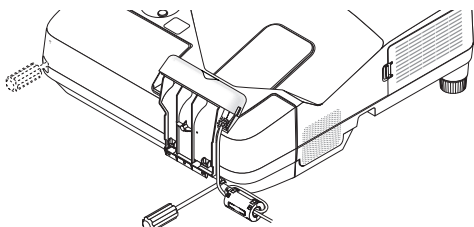
- ・ ケーブルカバーがプロジェクター本体に取り付けられている場合は、取り外してください。ケーブルカバーの取り付け・取り外しは、プロジェクターの取扱説明書にしたがって行ってください。
- ・ ネジ1本を使用します。

### 1. カメラユニットをケーブルカバーに取り付ける

ケーブルカバーの外側から、ホルダーの2つの突起をケーブルカバーの取り付け穴に入れ、ネジ穴を合わせます。  
ケーブルカバーの内側からネジ1か所をしめて固定します。



## 2. ケーブルカバーをプロジェクターに取り付ける

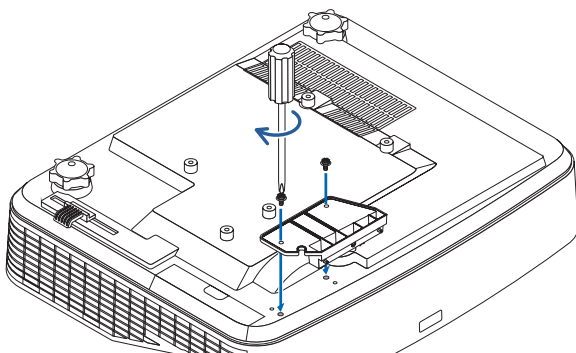


### ■ NP-U321HJD の場合

- ・ アタッチメントとネジ3本を使用します。

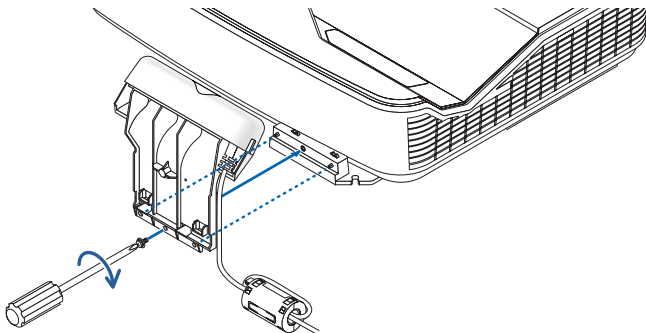
## 1. アタッチメントをプロジェクターに取り付ける

プロジェクターを裏返して置き、アタッチメントの2つの突起をプロジェクターの取り付け穴に入れ、ネジ穴を合わせます。ネジ2か所をしめて固定します。



## 2. カメラユニットをアタッチメントに取り付ける

プロジェクターを表に戻して置き、ホルダーの2つの突起をアタッチメントの取り付け穴に入れ、ネジ穴を合わせます。ネジ1か所をしめて固定します。



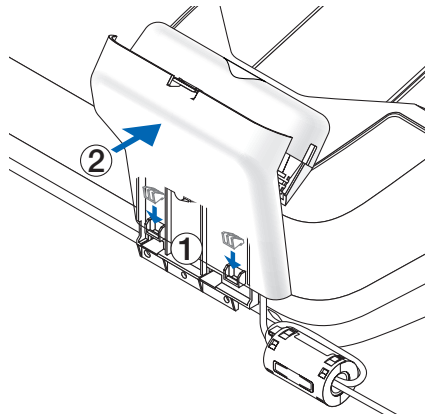
### 3. カバーをホルダーに取り付ける

カバー下側のツメ2つをホルダーの取り付け穴に入れ、ボタンがカチッとはまるまで押し込みます。

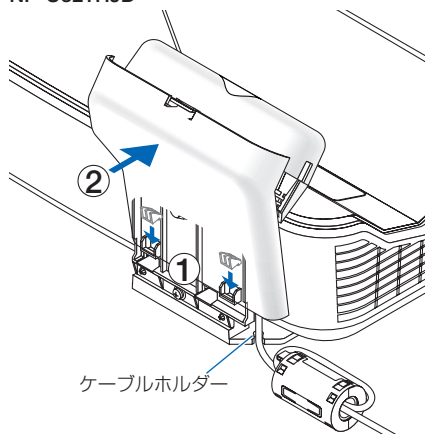
このとき、USB ケーブルはカバーの中に入れます。

NP-U321HJD の場合は、USB ケーブルをケーブルホルダーに差し込んで固定します。

NP-UM361XJL/NP-UM351WJL/NP-UM330XJL/NP-UM330WJL

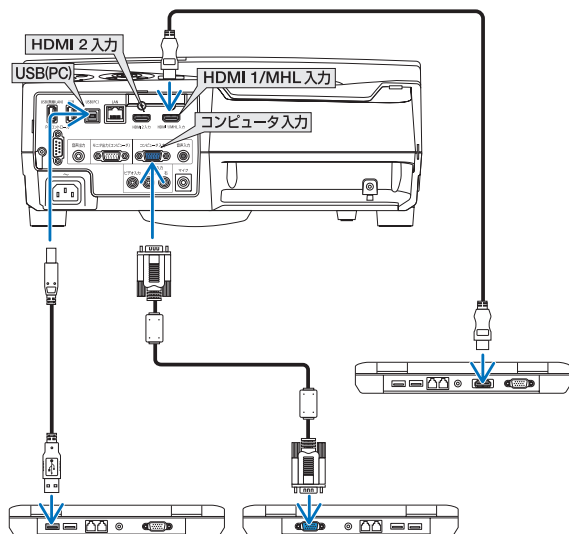


NP-U321HJD



#### 4. プロジェクターをコンピュータに接続する

コンピュータとの接続は、コンピュータケーブル（添付）および HDMI ケーブル（市販）を使用する方法があります。



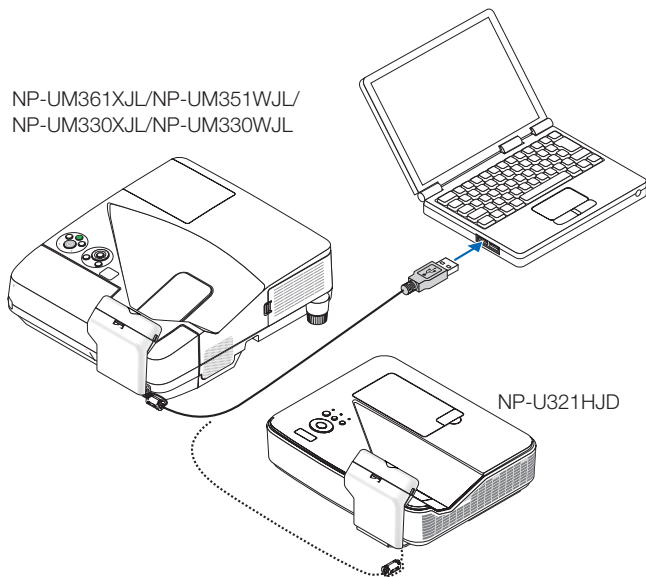
#### 5. プロジェクターの電源を入れ、投写画面の位置・フォーカスを調整する

調整方法は、プロジェクターの取扱説明書を参照してください。

#### 6. 添付の USB ケーブルでコンピュータとカメラユニットを接続する

カメラユニットに接続している USB ケーブル (4.5m) の反対側をコンピュータの USB ポート (タイプ A) に接続します。

NP-UM361XJL/NP-UM351WJL/  
NP-UM330XJL/NP-UM330WJL



## 7. ドライバーとキャリブレーションソフトウェアをコンピュータにインストールして、キャリブレーションを行う

ドライバーとキャリブレーションソフトウェアは、当社プロジェクターのサポートページからダウンロードして、コンピュータにインストールしてください。

URL : <http://www.nec-display.com/dl/jp/pj/soft/lineup.html>

インストールの方法とキャリブレーションの操作説明を、PDF (Portable Document Format) 形式で掲載しています。

PDF 閲覧ソフトウェア Adobe Reader を使って閲覧してください。

お使いのコンピュータで PDF が開けない場合は、アドビシステムズ (株) のホームページから Adobe Reader をダウンロードしてコンピュータにインストールしてください。

---

### お知らせ

- ・ 電子ホワイトボード機能を使用するためには、描画用ソフトウェアが必要です。  
この電子黒板キットには同梱されていませんので、市販の描画用ソフトウェアをご用意ください。
-

# トラブルシューティング

---

## 電子ペンが動作しない

- USB ケーブルがコンピュータの USB ポート (タイプ A) とカメラユニットの USB ポート (タイプ B) に接続されていますか。
  - ドライバーとキャリブレーションソフトウェアをコンピュータにインストールしましたか。
  - 次のような所で使用していませんか。
    - ・ スクリーン面やカメラユニットに直射日光が当たっている場合は、直射日光が当たらない場所に設置しなおしてください。
    - ・ スクリーン面やカメラユニットにハロゲンランプやフィラメントタイプの電球などの光が当たっている場合は、光が当たらないように向きを変えたり、光をさえぎったりしてください。
    - ・ 光を反射するような材質の枠があるスクリーンでは使用しないでください。
- 外光の影響は、NP04Wi 用ソフトウェアのトラブルシューティングで確認することができます。当社プロジェクトのサポートページに掲載しているソフトウェア操作ガイドをご覧ください、外光の影響を受けないように設置しなおしてください。
- カメラユニットは、正しい位置に取り付けられていますか。
  - 電子ペンの電池が消耗していませんか。  
ペン先を押してもインジケータ (LED) が赤く点灯しない場合は充電してください。
  - 電子ペンの使用条件を満たしていますか (スクリーンサイズ、使用温度)。  
スクリーンサイズは有効範囲内のものを使用してください。  
電子ペンは 5 ~ 40°C の範囲で使用してください。
  - カメラユニットのレンズ部分が汚れていませんか。  
汚れている場合は、毛羽立ちの少ない乾いたやわらかい布でふいてください。

## 電子ペンの描画と画面にずれがある

- [キャリブレーション] を行いましたか。
- オートキャリブレーションを行っても改善されない場合は、手動でキャリブレーションを行ってください。

# 仕様

---

## カメラユニット

- 入力端子: USB タイプ B × 1
- 消費電力: 120mA/5V、600mW
- 質量: 70g
- 外形寸法: 134.9(幅) × 32.2(高) × 35.9(奥行)mm (突起部含まず)
- 有効範囲: 60 ~ 100 型
- 動作温度: 5 ~ 40°C / 動作湿度: 20 ~ 80% (ただし、結露しないこと)
- 保管温度: -10 ~ 50°C / 保管湿度: 20 ~ 80% (ただし、結露しないこと)

## 電子ペン

- 質量: 25g
- 電源: 充電式 (スーパーキャパシタ)  
充電時間: 3分  
充電可能回数: 100,000 回
- 動作時間: 約 2 時間
- 動作温度: 5 ~ 40°C / 動作湿度: 20 ~ 80% (ただし、結露しないこと)
- 保管温度: -10 ~ 50°C / 保管湿度: 20 ~ 80% (ただし、結露しないこと)

# 保証とサービス

## 保証書

この商品には保証書を添付しております。保証書は必ず「お買い上げ日・販売店名」などの記入をお確かめのうえ、販売店から受け取っていただき内容をよくお読みのあと大切に保存してください。保証書は、本書記載内容で無料修理を行うことをお約束するものです。（下記の保証規定をご覧ください）

お買い上げの日から保証書に記載している期間中に故障が発生した場合は、保証書をご提示の上、NEC プロジェクター・カスタマサポートセンターにご依頼ください。

## 保証期間経過後の修理

修理すれば使用できる場合には、ご希望により有料で修理させていただきます。

## ご不明な点や修理に関するご相談

製品の故障、修理に関するご質問は NEC プロジェクター・カスタマサポートセンターにお願いいたします。

電話番号：0120-610-161

受付時間：9:00～18:00（土・日・祝日、その他特定日を除く）

## 保証規定

1. 取扱説明書、本体添付ラベル等の注意書きに基づくお客様の正常なご使用状態のもとで保証期間中に万一故障した場合は、無料にて故障箇所を当社所定の方法で修理させていただきますので、NEC プロジェクター・カスタマサポートセンターに保証書を添えてお申し出ください。

修理を行うために交換された旧部品、または機器の一部は、当社にて回収いたします。

なお、本製品のハードウェア部分の修理に限らせていただき、お客様がご使用のソフトウェア、データ等の破損は保証致しかねます。

2. 本製品の故障、またはその使用によって生じた直接、間接の損害については当社はその責任を負わないものとします。

3. 次のような場合には、保証期間中でも有料修理になります。

(1) 本保証書のご提示がない場合。

(2) 本保証書に、保証期間、型名、および販売店名の記入のない場合、または字句を書き替えられた場合。

(3) お客様による輸送、移動時の落下、衝撃等お客様の取り扱いが適正でないために生じた故障、損傷の場合。

(4) お客様による使用上の誤り、あるいは不当な改造、修理による故障及び損傷。

(5) 火災、塩害、ガス害、地震、落雷、および風水害、その他天災地変、あるいは異常電圧などの外部要因に起因する故障及び損傷。

(6) 高温・多湿の場所、車輛、船舶、煙・油煙・たばこの煙・埃の多い場所等で使用された場合に生ずる故障および損傷。

(7) 本製品に接続している当社指定以外の機器および消耗品に起因する故障および損傷。

(8) 正常なご使用状態のもとで部品が自然消耗、摩耗、劣化により故障した場合。

(9) お客様のご要望により、当社から出張にて修理に伺う場合は、出張に要する実費を申し受けます。

4. ご不明な点は、NEC プロジェクター・カスタマサポートセンターにご相談ください。

5. 本保証書は日本国内においてのみ有効です。

This warranty is valid only in Japan.

年	月	日	サービス内容	担当者

• この保証書は本書に明示した期間、条件のもとにおいて無料修理をお約束するものです。従ってこの保証書によってお客様の法律上の権利を制限するものではありません。

保証期間経過後の修理などについてご不明の場合は、NEC プロジェクター・カスタマサポートセンターにお問い合わせください。

• 補修用性能部品の保有期間は、製造打切後5年です。

## 電子黒板キット保証書

(出張修理の場合出張費用は有料になります。)

型名	NP04Wi	★製造番号	
フリガナ ★お客様名 (ご担当者名)		様	
法人名・部署名 ※ご法人の場合のみご記入ください。			
★ご住所 〒			
----- 電話番号			
★お買い上げ日 年 月 日		★取扱販売店名・住所・電話番号	
保証期間 (お買い上げ日より) 本体 1 ヶ年			

★印の欄に記入のない場合は保証致しかねますので、必ずご記入ください。

★印の欄はボールペンでご記入ください。

◇ご販売店様へ

お買い上げ日、貴店名、ご住所、電話番号をご記入のうえ、本保証書をお客様にお渡しください。

◇お客様へ

お客様名、ご住所、電話番号をご記入ください。

本書は再発行致しませんので、紛失しないよう大切に保存してください。

NEC ディスプレイソリューションズ株式会社  
東京都港区三田一丁目 4 番 28 号



## NP04Wi

### دليل التركيب

#### المحتويات

ARA-2	.....	مقدمة
ARA-3	.....	يُرجى قراءة هذه التعليمات قبل بدء الاستخدام
ARA-4	.....	تنبيهات حول استخدام القلم الضوئي
ARA-4	.....	التخلص من هذا المنتج
ARA-4	.....	الخصائص
ARA-5	.....	محتويات العبوة
ARA-6	.....	أسماء الأجزاء
ARA-8	.....	عملية الإعداد
ARA-14	.....	استكشاف الأعطال وإصلاحها
ARA-14	.....	المواصفات

شكرًا جزيلًا لشرايك اللوحة البيضاء التفاعلية من شركة NEC (اسم الطراز: NP04Wi). من خلال توصيل أحد أجهزة العرض من NEC بهذا المنتج، يمكن استخدام اللوحة البيضاء أو الحائط الأبيض كلوحة بيضاء تفاعلية. يأتي القلم الضوئي المرفق مُزوّدًا بسعة تخزينية مدمجة للمكثف الفائق. اشحن المكثف الفائق لمدة 3 دقائق قبل استخدام القلم الضوئي للمرة الأولى. يستخدم هذا الدليل المثال الخاص بالتوصيل لجهاز UM351W.

المصطلحات HDMI ووسيلة توصيل الوسائط المتعددة عالية الدقة HDMI وشعار HDMI هي علامات تجارية أو علامات تجارية مسجلة لشركة HDMI Licensing LLC في الولايات المتحدة الأمريكية والدول الأخرى.

## التخلص من الجهاز المستعمل

ينصّ التشريع الأوروبي المطبّق في كل الدول الأعضاء في الاتحاد الأوروبي على التخلص من مخلفات المنتجات الكهربائية والإلكترونية المستعملة التي تحمل العلامة (الموجودة إلى جهة اليمين) بعيدًا عن الفضلات المنزلية العادية؛ لذا عند التخلص من مثل هذه المنتجات، يُرجى اتباع إرشادات السلطات المحلية في بلدك و/أو استشارة المتجر الذي ابتعت منه المنتج. يتم إعادة استخدام المنتجات المستعملة وإعادة تدويرها على نحو ملائم بعد جمعها؛ حيث يسهم هذا المجهود في تقليل المخلفات والتأثير السلبي لها على صحة الإنسان وعلى البيئة، مثل الزئبق الموجود في الأجزاء، إلى أقل درجة ممكنة. لا تطبق العلامة الموجودة على المنتجات الكهربائية والإلكترونية إلا على الدول الأعضاء في الاتحاد الأوروبي حاليًا.



## تنبيهات



- (1) تُحظر إعادة الطباغة غير المصرح بها لمحتويات هذا الدليل.
- (2) محتويات هذا الدليل عرضة للتغيير في المستقبل دون إخطار.
- (3) روعي إعداد محتويات هذا الدليل بعناية فائقة؛ ومع ذلك يُرجى إخطار شركة NEC إذا راودتك أي شكوك أو لاحظت أي أخطاء أو أجزاء محذوفة.
- (4) يُرجى العلم أن شركة NEC لن تقبل تحمّل أية مسؤولية أيضًا كانت عن المطالبات بالتعويض عن الأضرار والخسائر في الأرباح، إلى غير ذلك، مما قد ينجم عن استخدام هذا المنتج، بغض النظر عن البند رقم (3) المذكور أعلاه.
- (5) ستقوم شركة NEC باستبدال أي دليل يحوي ترتيبًا غير صحيح أو صفحات ناقصة.

# يُرجى قراءة هذه التعليمات قبل بدء الاستخدام

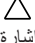

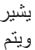



## حول الصور التوضيحية

لضمان الاستخدام الآمن والصحيح لهذا المنتج، يورد دليل التركيب هذا عدداً من الصور التوضيحية للحيلولة دون إصابتك وإصابة الآخرين فضلاً عن إتلاف الممتلكات.

وفيما يلي وصفٌ للصور التوضيحية ومعانيها؛ لذا تأكد من استيعابها بشكلٍ كامل قبل قراءة هذا الدليل.

قد يؤدي الإخفاق في مراعاة هذه الصورة التوضيحية والتعامل مع المنتج بطريقة خاطئة إلى وقوع حوادث تقضي إلى الوفاة أو حدوث إصابات جسيمة.	<b>تحذير</b> 
قد يؤدي الإخفاق في مراعاة هذه الصورة التوضيحية والتعامل مع المنتج بطريقة خاطئة إلى تعرض الأفراد للإصابات أو إتلاف الممتلكات المحيطة.	<b>تنبيه</b> 

## أمثلة للصور التوضيحية

يشير الرمز  إلى التعليمات التي تستدعي الانتباه (بما في ذلك التحذيرات). ويتم وضع إشارة دلالية على التنبيه داخل الرمز.	
يشير الرمز  إلى الإجراءات المحظورة. ويتم وضع إشارة دلالية للإجراء المحظور داخل الرمز.	
يشير الرمز  إلى الإجراءات المطلوبة. ويتم وضع إشارة دلالية للإجراء المطلوب داخل الرمز.	

## تحذير

• قم بإعداد هذا المنتج على جهاز العرض قبل تركيب جهاز العرض على السقف أو الحائط. في حالة إعداد هذا المنتج بعد تركيب جهاز العرض على السقف أو الحائط، فربما لا يتم تثبيت وحدة الكاميرا بشكل صحيح ويمكن أن يتسبب ذلك في سقوطها ووقوع إصابات. في نفس الوقت، قد تتعرض وحدة الكاميرا للتلف.



• تأكد من تثبيت البراغي بعد تثبيت وحدة الكاميرا. في حالة عدم تثبيت البراغي بشكل آمن، فربما تسقط وحدة الكاميرا وتتسبب في وقوع إصابة. في نفس الوقت، قد يتسبب ذلك في تعرض وحدة الكاميرا للتلف.



• لا تمسك وحدة الكاميرا لتحريك جهاز العرض، ولا تفرط في استخدام القوة عند التعامل مع وحدة الكاميرا. قد يتسبب ذلك في تعرض وحدة الكاميرا للتلف ويؤدي إلى وقوع إصابة.



• لا تضع هذا المنتج في الظروف التالية:

- بالقرب من المياه أو الحمامات أو الغرف التي ترتفع بها نسبة الرطوبة.
- تحت أشعة الشمس المباشرة أو بالقرب من السخانات أو الأجهزة المشعة للحرارة.
- في بيئة مليئة بالأتربة أو الدخان أو البخار.
- في مكان مرتفع الحرارة



• لا تقم بتفكيك القلم الضوئي أو إدخال تعديل عليه. لا يجوز تعريض القلم الضوئي للصدمات أو الانثناء. قد يتسبب ذلك في تعرض القلم الضوئي للتلف ويؤدي إلى وقوع إصابة.



# تبيّهات حول استخدام القلم الضوئي

- احرص على استخدام شاشة ذات سطح مستو وصلب يبلغ مقاسها 100 بوصة أو أقل.
- يمكن أن تتعرض بعض أسطح الشاشات للخدش بواسطة سنّ القلم الضوئي؛ لذا قبل استخدام القلم الضوئي، احرص على اختياره على جزء غير بارز من الشاشة للتأكد من أنه لن يتسبب في إتلافها.
- لا تستخدم القلم الضوئي في الحالات المذكورة أدناه.
- فقد يتعرض القلم الضوئي لخلل وظيفي.
- في النطاق الذي تتعرض فيه كل من سطح الشاشة ووحدة الكاميرا لأشعة الشمس المباشرة.
- في النطاق الذي تتعرض فيه كل من سطح الشاشة ووحدة الكاميرا لضوء مصابيح الهالوجين أو المصابيح الفلورية المتوهجة بشكل مباشر.
- في الحالة التي تنعكس فيها الإضاءة بفعل المواد المستخدمة داخل نطاق استعمال القلم الضوئي. (مثل إطار الشاشة).
- لا تستخدم القلم الضوئي في البيئة المذكورة أدناه، فقد يتعرض القلم الضوئي لخلل وظيفي.
- عند استخدام جهاز التحكم عن بعد العامل بالأشعة تحت الحمراء.
- يتراوح نطاق درجة حرارة التشغيل المضمن للقلم الضوئي ما بين 5 إلى 40 درجة مئوية (41 إلى 104 درجة فهرنهايت).
- عند تركيب أو فك وحدة الكاميرا، لا تقم بإزالة أي براغي سوى المنصوص عليها.

## التخلص من هذا المنتج

- عند التخلص من هذا المنتج، اتصل بمحلّ الشراء أو السلطات المحلية للحصول على التعليمات المتعلقة بكيفية التخلص منه.

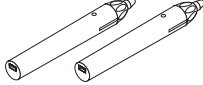
## الخصائص

- وظيفة اللوحة البيضاء الإلكترونية التفاعلية من خلال الجمع مع برنامج رسم، يمكن استخدام اللوحة البيضاء أو الحائط الأبيض كلوحة بيضاء تفاعلية لك، ويمكنك تسجيل الملاحظات المكتوبة يدويًا أو رسم الصور على الشاشة باستخدام القلم الضوئي المورد.
- بالإضافة إلى ذلك، فإنه من خلال الجمع مع الوحدة المسماة (NP01TM) تباع بشكل منفصل)، يتاح لك الرسم على اللوحة البيضاء بأصبعك.
- أجهزة العرض المدعومة:
  - UM280W، UM330W، UM280X، UM330X
  - UM301X، UM361X، UM301W، UM351W
  - U321H
- \* لا تقم بتثبيت أية أجهزة عرض أخرى على هذا المنتج بخلاف الأجهزة المدعومة سالفة الذكر والمكونات الحصرية التالية
- يمكن لشخص واحد أو أكثر تدوين الملاحظات أو رسم الصور بالأقلام الضوئية في نفس الوقت يأتي المنتج مرفقًا به قلمين ضوئيين، كما أن القلم الضوئي متاح كملحق اختياري (NP02PI).
- ويمكن استخدام حتى 10 أقلام ضوئية على المنتج في نفس الوقت.
- وبالرغم من ذلك، قد يتباين العدد وفقًا لبرنامج الرسم المستخدم.
- ولاستخدام برنامج الرسم، يُرجى الرجوع إلى دليل الاستخدام المرفق مع برنامج الرسم.
- وظيفة المعايرة التلقائية
- من السهل إجراء ضبط الموضع بفضل وظيفة المعايرة التلقائية.

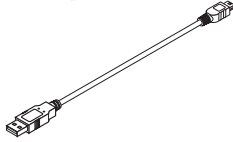
## محتويات العبوة

تأكد من احتواء العبوة على كل العناصر المدرجة. وفي حالة فقدان أي من هذه العناصر، اتصل بالموزع الذي تتعامل معه.

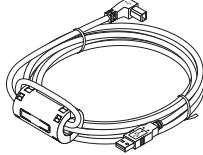
- القلم الضوئي 2 x



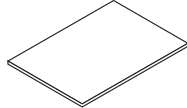
- كبل USB 1 x  
لشحن القلم الضوئي



- كبل USB (4.5 متر/ 14.8 قدم) 1 x  
لتوصيل جهاز الكمبيوتر بوحدة الكاميرا



- دليل التركيب (هذا الكتيب) 1 x



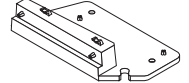
- مسمار (M3) 4 x



- الحامل 1 x



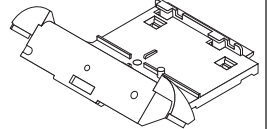
- ملحقة 1 x  
(طراز التطبيق: U321H)



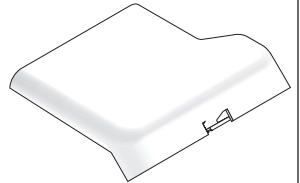
- جوان 1 x  
(طراز التطبيق: U321H)



- جوان 1 x



- غطاء 1 x



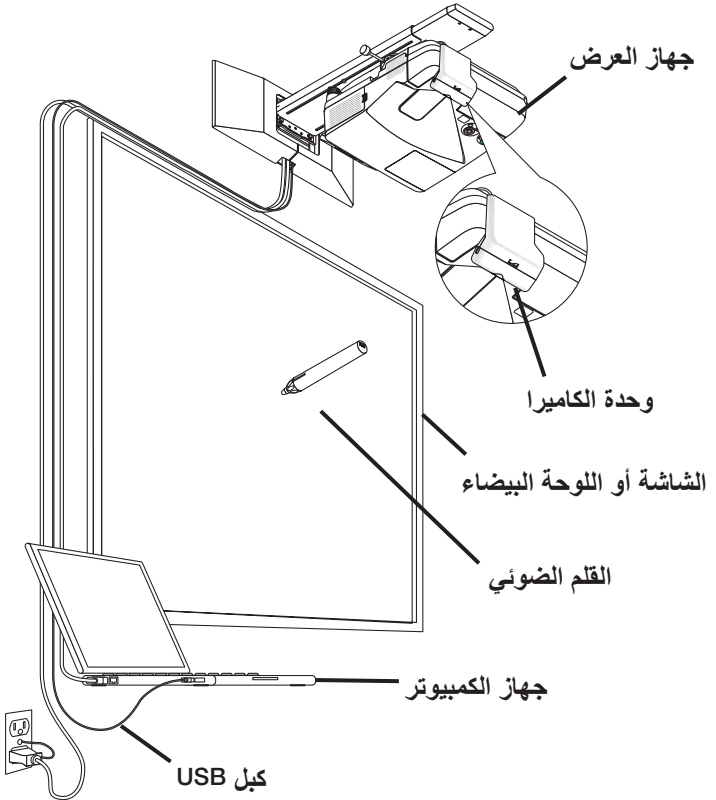
يتم تجميع الحامل والغطاء.

### ملاحظة

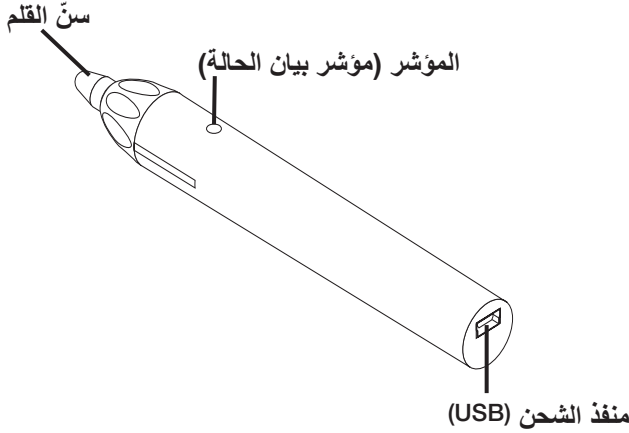
- قم بتنزيل برنامج التشغيل وبرنامج المعايرة من موقعنا الإلكتروني لتثبيتهما على جهاز الكمبيوتر.  
عنوان الموقع الإلكتروني: <http://www.nec-display.com/dl/en/index.html>
- يلزم الاستعانة ببرنامج الرسم لاستخدام وظيفة اللوحة البيضاء التفاعلية.
- لا يشمل المنتج على برنامج رسم؛ لذا بادر بالحصول على أحد برامج الرسم المتوفرة بالأسواق.

# أسماء الأجزاء

يوضح الرسم مثلاً لوحدة التركيب الاختيارية على الحائط (اسم الطراز: NP04WK) مع تركيب جهاز العرض عليها.

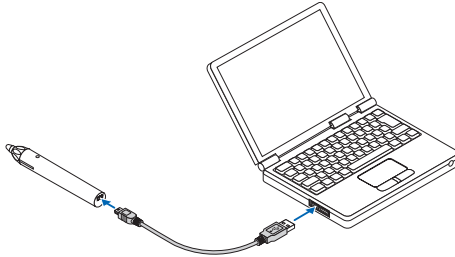


## أسماء أجزاء القلم الضوئي المرفق



### شحن القلم الضوئي

استخدم كبل USB المرفق لشحن القلم الضوئي من أجل توصيل منفذ الشحن (USB) الخاص بالقلم الضوئي بمنفذ USB الموجود بجهاز الكمبيوتر.



- عندئذ يبدأ شحن القلم الضوئي؛ حيث تكتمل عملية الشحن في غضون 3 دقائق.
- من شأن الضغط على سنّ القلم على إحدى الشاشات أو اللوحات البيضاء أن يجعل مؤشر بيان الحالة يتحول إلى اللون الأحمر؛ الأمر الذي يشير إلى اكتمال عملية الشحن وجاهزية القلم الضوئي للاستخدام. وفي حال توقف إضاءة مؤشر بيان الحالة باللون الأحمر، فيجب شحن القلم الضوئي.

### تنبيهات حول استخدام القلم الضوئي

- لا تتسبب في إتلاف القلم الضوئي بإسقاطه على الأرض أو إساءة استخدامه.
- احتفظ بالقلم الضوئي بعيدًا عن الماء والسوائل الأخرى. وإذا تعرض القلم الضوئي للبلل، فامسح عنه المياه فورًا حتى يجف.
- تجنّب تعريض القلم للحرارة والرطوبة متى أمكن ذلك.

# عملية الإعداد

## خطوات الإعداد

1. قم بتوصيل كبل USB والحامل مع وحدة الكاميرا.
2. قم بتهيئة وحدة الكاميرا على جهاز العرض.  
\* إجراءات تثبيت الطراز U321H تختلف عن الطرازات الأخرى.
3. قم بتركيب الغطاء على الحامل.
4. قم بتوصيل جهاز العرض بجهاز الكمبيوتر.
5. قم بتشغيل جهاز العرض واضبط الموضع واضبط تركيز الصورة المعروضة.
6. قم بتوصيل كبل USB الموصل عليه طرف التوصيل مع وحدة الكاميرا مع الكمبيوتر.
7. قم بتثبيت برنامج التشغيل وبرنامج المعايرة على الكمبيوتر وقم بإجراء المعايرة.

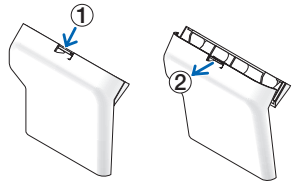
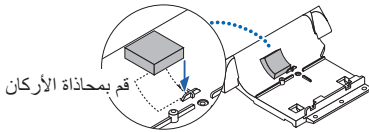
## تحذير !

- قم بإعداد هذا المنتج على جهاز العرض قبل تركيب جهاز العرض على السقف أو الحائط في حالة إعداد هذا المنتج بعد تركيب جهاز العرض على السقف أو الحائط، فربما لا يتم تثبيت وحدة الكاميرا بشكل صحيح ويمكن أن يتسبب ذلك في سقوطها ووقوع إصابات. في نفس الوقت، قد تتعرض وحدة الكاميرا للتلف.
- تأكد من تثبيت البراغي بعد تثبيت وحدة الكاميرا. في حالة عدم تثبيت البراغي بشكل آمن، فربما تسقط وحدة الكاميرا وتتسبب في وقوع إصابة. في نفس الوقت، قد تتعرض وحدة الكاميرا للتلف.
- لا تمسك وحدة الكاميرا لتحريك جهاز العرض، ولا تفرط في استخدام القوة عند التعامل مع وحدة الكاميرا. قد يتسبب ذلك في تعرض وحدة الكاميرا للتلف ويؤدي إلى وقوع إصابة.

## التحضير:

- قم بتحضير مفك براغي صليبية
- غير أن الحامل والغطاء في حالة مثبتة من أجل الشحن، قم بفك الحامل من خلال الضغط على الزر الموجود على الغطاء.

للتثبيت على الطراز U321H، يجب عليك إحكام الجوانب على الحامل. قم بتشير الورق الموجود على الجانب الخارجي للجوانب وثبته على الموضع المشار إليه بسهم على الصورة.

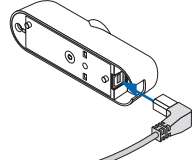




## 1. قم بتوصيل كبل USB والحامل مع وحدة الكاميرا.

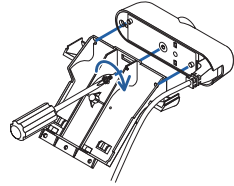
① قم بتوصيل كبل USB والحامل مع وحدة الكاميرا.

قم بتوصيل طرف التوصيل على شكل حرف L لكبل USB المورد (4.5 م/14.8 قدم) مع منفذ USB (النوع B) على وحدة الكاميرا.



② قم بتثبيت وحدة الكاميرا على الحامل.

قم بتثبيت البروزين الموجودين على وحدة الكاميرا في فتحات التثبيت على الحامل وقم بمحاذاة الموضع على الفتحات اللولبية. قم بتثبيت وحدة الكاميرا باستخدام برغي واحد.



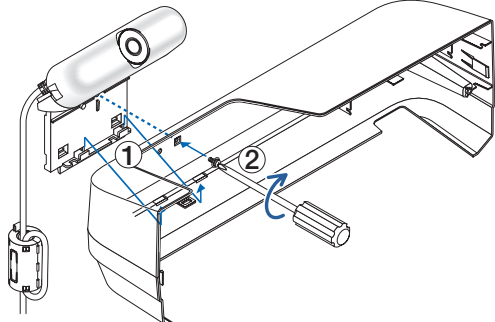
## 2. قم بتثبيت وحدة الكاميرا على جهاز العرض.

\* إجراءات تثبيت الطراز U321H تختلف عن الطرازات الأخرى، UM351W و UM301W و UM361X و UM301X وكذلك UM330X و UM280X و UM330W و UM280W

بالنسبة للطرازات UM351W/UM301W/UM361X/UM301X/UM330X/UM280X/UM330W/UM280W  
- قم بإزالة غطاء الكبل إذا كان مركبًا على جهاز العرض. يرجى اتباع التعليمات الموضحة في دليل استعمال جهاز العرض لتثبيت/فك غطاء الكبل.  
- يتطلب برغيًا واحدًا.

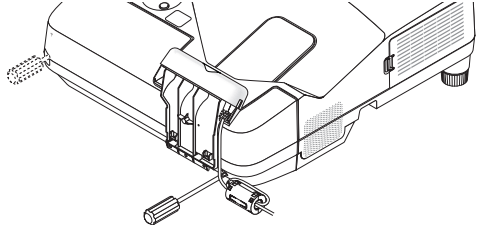
① قم بتثبيت وحدة الكاميرا على غطاء الكابل.

من الجانب الخارجي لغطاء الكابل، قم بتثبيت البروزين الموجودين على الحامل في فتحات التثبيت الموجودة على غطاء الكابل، ثم قم بمحاذاة الموضع على الفتحات اللولبية.  
قم بتثبيتها باستخدام برغي من داخل غطاء الكابل.



ARA-9

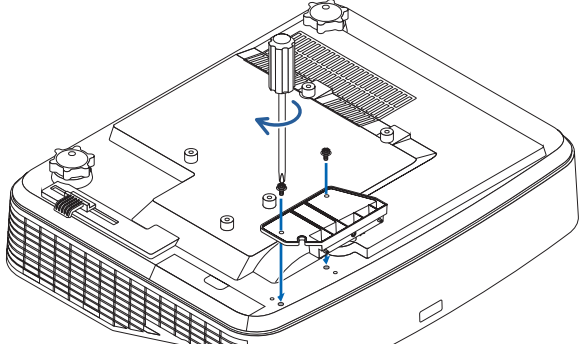
② قم بتثبيت غطاء الكابل بجهاز العرض.



بالنسبة للطرز U321H  
يتطلب ثلاثة براغي والملحقة.

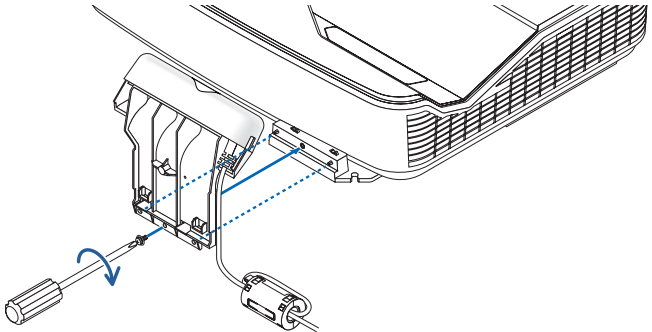
① قم بتركيب الملحقة على جهاز العرض.

ضع الجانب السفلي لجهاز العرض لأعلى واضغط البروزين الموجودين على الملحقة في فتحات التثبيت على جهاز العرض، ثم قم بمحاذاة وضع فتحات التثبيت. قم بتثبيتهما باستخدام برغين.



② قم بتثبيت وحدة الكاميرا على الملحقة.

ضع جهاز العرض مع توجيهه لأعلى وقم بتثبيت البروزين الموجودين على الحامل في فتحات التثبيت على الحامل، ثم قم بمحاذاة وضع فتحات التثبيت. قم بتثبيتهما باستخدام برغي واحد.

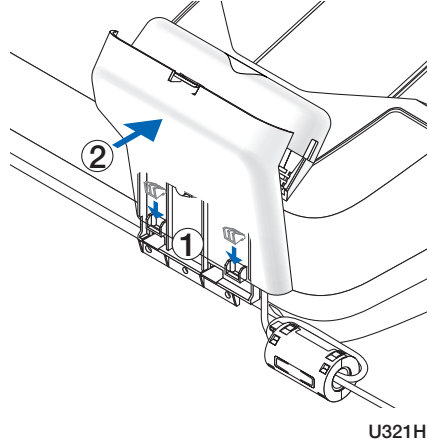


ARA-10

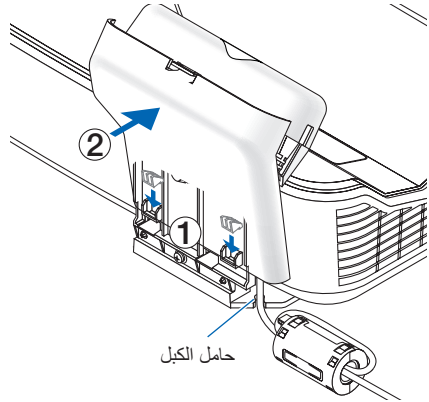
### 3. قم بتركيب الغطاء على الحامل.

اضغط الفكوك على الجانب السفلي للغطاء في فتحات التثبيت على الحامل إلى أن تسمع صوت طقطة. ضع كبل USB داخل الغطاء. بالنسبة للطراز U321H، ضع كبل USB عبر الحز مع حامل الكبل.

UM351W/UM301W/UM361X/UM301X/UM330X/UM280X/UM330W/UM280W



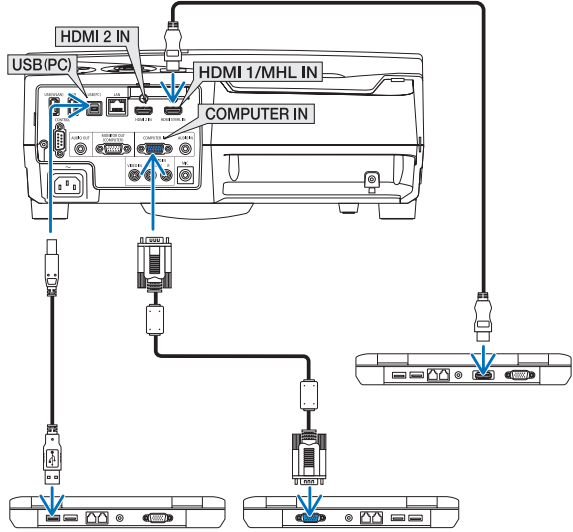
U321H



حامل الكبل

#### 4. توصيل جهاز العرض بجهاز الكمبيوتر.

يمكن توصيل جهاز العرض بجهاز الكمبيوتر باستخدام كبل الكمبيوتر (المرفق مع جهاز العرض) أو باستخدام كبل HDMI المتوفر بالأسواق.



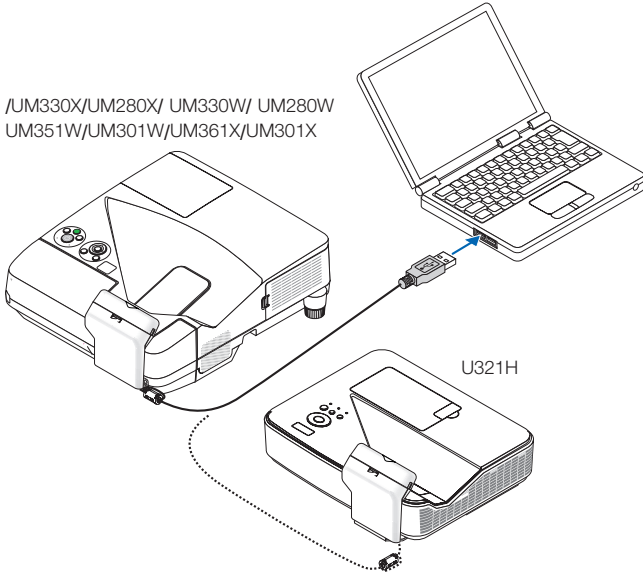
#### 5. تشغيل جهاز العرض وضبط موضع / تركيز الصورة المعروضة.

لمعرفة إجراءات الضبط، يُرجى الرجوع إلى دليل الاستخدام الخاص بجهاز العرض.

#### 6. توصيل جهاز الكمبيوتر ووحدة الكاميرا باستخدام كبل USB المرفق.

قم بتوصيل طرف كبل USB (4.5 م/14.8 قدم) الذي تم توصيل طرفه الآخر بوحدة الكاميرا مع منفذ USB (النوع A) على الكمبيوتر.

/UM330X/UM280X/ UM330W/ UM280W  
UM351W/UM301W/UM361X/UM301X



## م بتثبيت برنامج التشغيل وبرنامج المعايرة على الكمبيوتر وقم بإجراء المعايرة

بتنزيل برنامج التشغيل وبرنامج المعايرة من موقع الإنترنت وتثبيتهما على الكمبيوتر:

URL: <http://www.nec-display.com/dl/en/index.htm>

يل التشغيل للتثبيت والمعايرة متاح بتنسيق PDF (Portable Document Format).

اطلاع على ملفات PDF وطباعتها، يلزم توافر برنامج Adobe Reader™.

لم تتمكن من فتح ملف PDF على جهاز الكمبيوتر الخاص بك، فاحصل على أحدث نسخة من برنامج Adobe Reader لنظام التشغيل الخاص بك من موقع أنظمة Adobe Systems وقم بتثبيته على جهاز الكمبيوتر الخاص بك.

## لة

الاستعانة ببرنامج الرسم لاستخدام وظيفة اللوحة البيضاء التفاعلية.  
نتمل المنتج على برنامج رسم؛ لذا بادر بالحصول على أحد برامج الرسم المتوفرة بالأسواق.

# استكشاف الأعطال وإصلاحها

## القلم الضوئي لا يعمل.

- هل تم توصيل كبل USB بين جهاز الكمبيوتر (منفذ USB من النوع A) ووحدة الكاميرا (منفذ USB من النوع B)؟
  - هل تم تثبيت برنامج التشغيل وبرنامج المعايرة على جهاز الكمبيوتر لديك؟
  - هل تستخدم القلم الضوئي في إحدى البيئات التالية؟
    - إذا كان ضوء الشمس المباشر موجهاً على سطح الشاشة و/أو وحدة الكاميرا، فأحرص على تغيير مكان التثبيت بحيث لا تكون معرضة لأشعة الشمس المباشرة.
    - إذا كان ضوء مصابيح الهالوجين أو المصابيح الفلورية المتوجهة موجهاً على سطح الشاشة و/أو وحدة الكاميرا، فأحرص على تغيير اتجاه تثبيت الشاشة و/أو وحدة الكاميرا، أو احجب ضوء المصباح.
    - لا تستخدم شاشة إطارها مصنوع من مواد تعكس الضوء.
  - تجد تأثير الضوء الخارجي مشروخاً في قسم استكشاف الأخطاء وإصلاحها لدليل البرنامج NP04Wi.
  - راجع دليل البرنامج على صفحة دعم أجهزة العرض والذي تم تحميله إلى موقعنا على شبكة الإنترنت، واحرص على تركيب الأجهزة في مكان مناسب بحيث تكون بعيدة عن تأثير الضوء.
  - هل تم ضبط وحدة الكاميرا على الموضع الصحيح؟
  - هل يتوافر بالقلم الضوئي قدرٌ كافٍ من الشحن؟
  - إذا لم يسفر الضغط على سن القلم إلى جعل مؤشر بيان الحالة يتحول إلى الإضاءة باللون الأحمر، فيجب شحن القلم الضوئي.
  - هل يندرج مقياس الشاشة ودرجة حرارة الاستخدام ضمن النطاق الملائم؟
  - استخدم شاشة ضمن النطاق الفعال.
  - استخدم القلم الضوئي ضمن نطاق درجات حرارة يتراوح ما بين 5 إلى 40 درجة مئوية (41 إلى 104 درجة فهرنهايت).
  - هل تلوّث عدسة وحدة الكاميرا بالأتربة؟
  - في حال تلوّث العدسة بالأتربة، فيادر إلى مسحها بقطعة قماش ناعمة جافة عديمة الوبر.
- ## الخطوط المرسومة بالقلم الضوئي لا تناسب الشاشة.
- هل تمت معايرة المستشعر على نحو صحيح؟
  - إذا لم يسفر إجراء المعايرة تلقائياً عن حل المشكلة، فيادر إلى محاولة إجراء المعايرة يدوياً.

## المواصفات

### وحدة الكاميرا

- طرف الدخل: USB من النوع B × 1
- استهلاك الطاقة: 120 مللي أمبير/5 فولت، 600 مللي وات
- الوزن: 70 جم/2.5 أوقية
- الأبعاد الخارجية: 135 مم (العرض) × 32 مم (الارتفاع) × 36 مم (العمق)/5.3 بوصة (العرض) × 1.3 بوصة (الارتفاع) × 1.4 بوصة (العمق) (باستثناء النتوءات)
- النطاق الفعال: 60 إلى 100 بوصة
- درجة حرارة التشغيل والرطوبة: 5 إلى 40 درجة مئوية (41 إلى 104 درجة فهرنهايت)/20% إلى 80% (في حال عدم التكاثف)
- درجة حرارة التخزين والرطوبة: -10 إلى 50 درجة مئوية (14 إلى 122 درجة فهرنهايت)/20% إلى 80% (في حال عدم التكاثف)

### القلم الضوئي

- الوزن: 25 جم/0.9 أوقية
- وحدة الإمداد بالطاقة: نوع الشحن (مكثف فائق)
- وقت الشحن: 3 دقائق
- العدد التقديري لمرات شحن البطارية: 100000
- وقت التشغيل: حوالي 2 ساعة
- درجة حرارة التشغيل والرطوبة: 5 إلى 40 درجة مئوية (41 إلى 104 درجة فهرنهايت)/20% إلى 80% (في حال عدم التكاثف)
- درجة حرارة التخزين والرطوبة: -10 إلى 50 درجة مئوية (14 إلى 122 درجة فهرنهايت)/20% إلى 80% (في حال عدم التكاثف)

# Turkish RoHS information relevant for Turkish market

EEE Yönetmeliğine Uygundur.

# Ukrainian RoHS Information relevant for Ukrainian market

English	<p style="text-align: center;">Declaration of Conformity with the requirements of Technical Regulation on the Restriction Of the use of certain Hazardous Substances in Electrical and Electronic Equipment (adopted by Order № 1057 of Cabinet of Ministers of Ukraine)</p> <p>The Product is in conformity with the requirements of Technical Regulation on the Restriction Of the use of certain Hazardous Substances in electrical and electronic equipment (TR on RoHS).</p> <p>The content of hazardous substance with the exemption of the applications listed in the Annex № 2 of TR on RoHS:</p> <ol style="list-style-type: none"><li>1. Lead (Pb) – not over 0,1wt % or 1000wt ppm;</li><li>2. Cadmium (Cd) – not over 0,01wt % or 100wt ppm;</li><li>3. Mercury (Hg) – not over 0,1wt % or 1000wt ppm;</li><li>4. Hexavalent chromium (Cr<sup>6+</sup>) – not over 0,1wt % or 1000wt ppm;</li><li>5. Polybrominated biphenyls (PBBs) – not over 0,1wt % or 1000wt ppm;</li><li>6. Polybrominated diphenyl ethers (PBDEs) – not over 0,1wt % or 1000wt ppm.</li></ol> <p style="text-align: right;">NEC Display Solutions, Ltd.</p>
Ukrainian	<p style="text-align: center;">Декларація про Відповідність Вимогам Технічного Регламенту Обмеження Використання деяких Небезпечних Речовин в електричному та електронному обладнанні (затвердженого Постановою № 1057 Кабінету Міністрів України)</p> <p>Виріб відповідає вимогам Технічного Регламенту Обмеження Використання деяких Небезпечних Речовин в електричному та електронному обладнанні (ТР ОБВНР).</p> <p>Вміст небезпечних речовин у випадках, не обумовлених в Додатку № 2 ТР ОБВНР :</p> <ol style="list-style-type: none"><li>1. свинець(Pb) – не перевищує 0,1 % ваги речовини або в концентрації до 1000 частин на мільйон;</li><li>2. кадмій (Cd)– не перевищує 0,01 % ваги речовини або в концентрації до 100 частин на мільйон;</li><li>3. ртуть(Hg) – не перевищує 0,1 % ваги речовини або в концентрації до 1000 частин на мільйон;</li><li>4. шестивалентний хром (Cr<sup>6+</sup>) – не перевищує 0,1 % ваги речовини або в концентрації до 1000 частин на мільйон;</li><li>5. полібромбіфеноли (PBB) – не перевищує 0,1% ваги речовини або в концентрації до 1000 частин на мільйон;</li><li>6. полібромдефінолові ефіри (PBDE) – не перевищує 0,1 % ваги речовини або в концентрації до 1000 частин на мільйон.</li></ol> <p style="text-align: right;">NEC Display Solutions, Ltd.</p>
Russian	<p style="text-align: center;">Декларация о Соответствии Требованиям Технического Регламента об Ограничении Использования некоторых Вредных Веществ в электрическом и электронном оборудовании (утверждённого Постановлением № 1057 Кабинета Министров Украины)</p> <p>Изделие соответствует требованиям Технического Регламента об Ограничении Использования некоторых Вредных Веществ в электрическом и электронном оборудовании (ТР ОИВВ).</p> <p>Содержание вредных веществ в случаях, не предусмотренных Дополнением № 2 ТР ОИВВ:</p> <ol style="list-style-type: none"><li>1. свинец (Pb) – не превышает 0,1 % веса вещества или в концентрации до 1000 миллионных частей;</li><li>2. кадмий (Cd) – не превышает 0,01 % веса вещества или в концентрации до 100 миллионных частей;</li><li>3. ртуть (Hg) – не превышает 0,1 % веса вещества или в концентрации до 1000 миллионных частей;</li><li>4. шестивалентный хром (Cr<sup>6+</sup>) – не превышает 0,1 % веса вещества или в концентрации до 1000 миллионных частей;</li><li>5. полибромбифенолы (PBB) – не превышает 0,1 % веса вещества или в концентрации до 1000 миллионных частей;</li><li>6. полибромдифеноловые эфиры (PBDE) – не превышает 0,1 % веса вещества или в концентрации до 1000 миллионных частей.</li></ol> <p style="text-align: right;">NEC Display Solutions, Ltd.</p>

**In Europe**

NEC Display Solutions Europe GmbH  
Address: Landshuter Allee 12-14  
D-80637 München, Germany  
Telephone: +49 89 99699 0  
Email: infomail@nec-displays.com

**In North America**

NEC Display Solutions of America, Inc.  
Address: 500 Park Boulevard, Suite 1100  
Itasca,  
Illinois  
60143, U.S.A.  
Telephone: +1 800 836 0655

**In Oceania**

Australia  
AWA Limited.  
Address: 151 Arthur Street  
Homebush West NSW 2140 Australia  
Customer Call Centre  
Telephone: 0297647777  
Email Address: commercialsupport@awa.com.au

New Zealand  
Visual Group Ltd.  
Address: 28 Walls Road Penrose Auckland New Zealand  
Telephone: 095250740  
Email Address: sarah.reed@visualgroup.co.nz

**In South America**

Brazil  
Videocorp Brasil  
Address: Rua França Pinto, 935- Vila Mariana  
São Paulo - SP - Brasil  
CEP 04016-004  
Telephone: + 55-11-2924.2910 /+ 55-11-2924.2911

**In Asia**

NEC Display Solutions, Ltd.  
Address: 686-1, Nishioi, Oi-Machi, Ashigarakami-Gun,  
Kanagawa 258-8533, Japan  
Telephone: +81 465 85 2369

NEC Solutions (China) Co.,Ltd.  
Address: Rm 1903, Shining Building,35 Xu-eyuan Rd,  
Haidian District Beijing 100191, P.R.C.  
Telephone: +8610 59342706

NEC Hong Kong Ltd.  
Address: 25/F.,The Metropolis Tower,10 Metropolis Drive, Hunghom, Kowloon, Hong Kong  
Telephone: +852 2369 0335

NEC Taiwan Ltd.  
Address: 7F, No.167, SEC.2, Nan King East Road,  
Taipei, Taiwan, R.O.C.  
Telephone: +886 2 8500 1710

NEC Asia Pacific Pte Ltd.  
Address: 401 Commonwealth Drive, #07-02, Haw Par Technocentre, Singapore 149598  
Telephone: +65 6 799 6188

NEC Corporation of Malaysia Sdn. Bhd.  
Address: 33rd Floor, Menara TA One, 22, Jalan P. Ramlee, 50250 Kuala Lumpur, Malaysia  
Telephone: +6 03 2178 3600 (ISDN)

