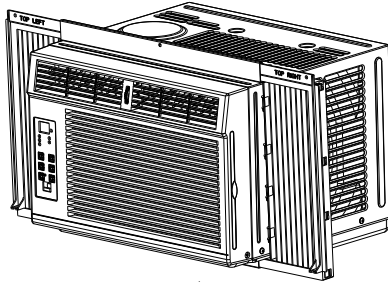


# **RCA**

## **AIR CONDITIONER (WINDOW TYPE) OWNER'S MANUAL MODEL:RACE5002E**



**Please read this owner's manual carefully and thoroughly before installing and operating your room air conditioner. Please retain this owner's manual for future reference after reading it thoroughly.**

# CONTENTS

Contents.....	1
Safety Precautions.....	2
Before Operation .....	5
Introduction .....	6
Installation.....	8
Window Requirements .....	8
Preparation of Chassis.....	9
Unit Installation.....	10
Removal from Window.....	11
Operating Instructions.....	12
Operation Panel.....	12
Function Specifications .....	13
Remote Controller .....	15
Maintenance .....	16
Troubleshooting.....	17
French Manual .....	19

# SAFETY PRECAUTIONS

## WARNING

### ■ Installation

Don't use a power cord, a plug or a loose socket which is damaged.

- Otherwise, it may cause a fire or electrical shock.

Always ground the product.

- There is risk of fire or electric shock.

Do not modify or extend the power cable.

- There is risk of fire or electric shock.

Do not disassemble or modify products.

- It may cause failure and electric shock.

Always install the expansion panel(s).

- Improper assembly or installation may cause incorrect operation, including injury, fire, and poor performance, electric shock hazards.

Do not use the power cord near flammable gas or combustibles such as gasoline, benzene, thinner, etc.

- It may cause explosion or fire.

### ■ Operation

Do not place heavy object on the power cord and take care so that the cord should not be pressed.

- There is danger of fire or electric shock.

Always install a dedicated circuit and breaker.

- Improper wiring or installation may cause fire or electric shock.

Do not touch (operate) the product with wet hands.

- There is risk of fire or electrical shock.

Do not place the power cord near a heater.

- It may cause fire and electric shock.

Do not allow water to run into electric parts.

- It will cause failure of machine or electric shock.

Use a soft cloth to clean. Do not use wax, thinner, or a strong detergent.

- The appearance of the air conditioner may deteriorate, change color, or develop surface flaws.

If strange sounds, or small or smoke comes from product. Turn the breaker off or disconnect the power supply cable.

- There is risk of electric shock or fire.

Do not open the suction inlet grill of the product during operation.

- Otherwise, it may electrical shock and failure.

If water enters the product, turn off the power switch of the main body of appliance. Contact service center after taking the power-plug out from the socket.

# SAFETY PRECAUTIONS

Ventilate the room well when using this appliance together with a stove, etc.

- An oxygen shortage may occur.

Do not plug or unplug the power supply plug during operation.

- There is risk of fire or electric shock.

Take care to ensure that power cable could not be pulled out or damaged during operation.

- There is risk of fire or electric shock.

Turn off the power and breaker firstly when cleaning the unit.

- Since the fan rotates at high speed during operation, it may cause injury.

Do not damage or use an unspecified power cord.

- It will cause electric shock or fire.

When gas leaks, open the window for ventilation before operating the unit.

- Otherwise, it may cause explosion, and a fire.

Turn off the main power switch when not using it for a long time.

- Prevent accidental startup and the possibility of injury.

Do not operate with wet hands or in damp environment.

- It will cause electric shock.

Never touch the metal parts of the unit when removing the filter.

- They are sharp and may cause injury.

## CAUTION

### ■ Installation

Install the product so that the noise or hot wind from the outdoor unit may not cause any damage to the neighbors.

- Otherwise, it may cause dispute with the neighbors.

Keep level parallel in installing the product.

- Otherwise, it may cause vibration or water leakage.

### ■ Operation

Do not put a pet or house plant where it will be exposed to direct air flow.

- It may cause injury.

Do not block the inlet or outlet of air flow.

- It may cause product failure.

Use a soft cloth to clean. Do not use wax, thinner, or a strong detergent.

- The appearance of the air conditioner may deteriorate, change color, or develop surface flaws.

# SAFETY PRECAUTIONS

---

Do not step on the indoor/outdoor unit and do not put anything on it.

- It may cause an injury through dropping of the unit or falling down.

Be cautious not to touch the sharp edges when installing.

- It may cause injury.

If the liquid from the batteries gets onto your skin or clothes, wash it well with clean water. Do not use the remote if the batteries have leaked.

- The chemicals in batteries could cause burns or other health hazards.

Always insert the filter securely. Clean it every two weeks.

- Operation without filters will cause failure.

Avoid excessive cooling and perform ventilation sometimes.

- Otherwise, it may do harm to your health.

Do not drink water drained from air conditioner.

- It contains containment and will make you sick.

Do not insert the hands or bars through the air inlet or outlet during operation.

- Otherwise, it may cause personal injury.

If you eat the liquid from the batteries, brush your teeth and see doctor. Do not use the remote if the batteries have leaked.

- The chemicals in batteries could cause burns or other health hazards.

## Preparation for Operation

1. Contact an installation specialist for installation.
2. Plug in the power cord properly.
3. Use a dedicated circuit. Overloading the line could create a fire hazard.
4. Do not use an extension cord.
5. Do not start/stop operation by plugging/unplugging the power cord.
6. If the cord/plug is damaged, have an authorized Servicer install an exact replacement part.

## Usage

1. Being exposed to direct airflow for an extended period of time could be hazardous to your health. Do not expose occupants, pets, or plants to direct airflow for extended periods of time.
2. Due to the possibility of oxygen deficiency, ventilate the room when used together with stoves or other heating devices.
3. Do not use this air conditioner for non-specified special purposes (e.g. Preserving precision devices, food, pets, plants, and art objects). Such usage could damage the items.
4. The air conditioner is a consumer comfort appliance, not a precision climate control system.

## Cleaning and Maintenance

1. Do not touch the metal parts of the unit when removing the filter. Injuries can occur when handling sharp metal edges.
2. Do not use water to clean inside the air conditioner. Exposure to water can destroy the insulation, leading to possible electric shock.
3. When cleaning the unit, first make sure that the power and breaker are turned off. The fan rotates at a very high speed during operation. There is a possibility of injury if the unit's power is accidentally triggered on while cleaning inner parts of the unit.

## Service

For repair and maintenance, contact your authorized service dealer.

# INTRODUCTION

## How and Why

Your room air conditioner provides the following functions to make hot weather living more comfortable:

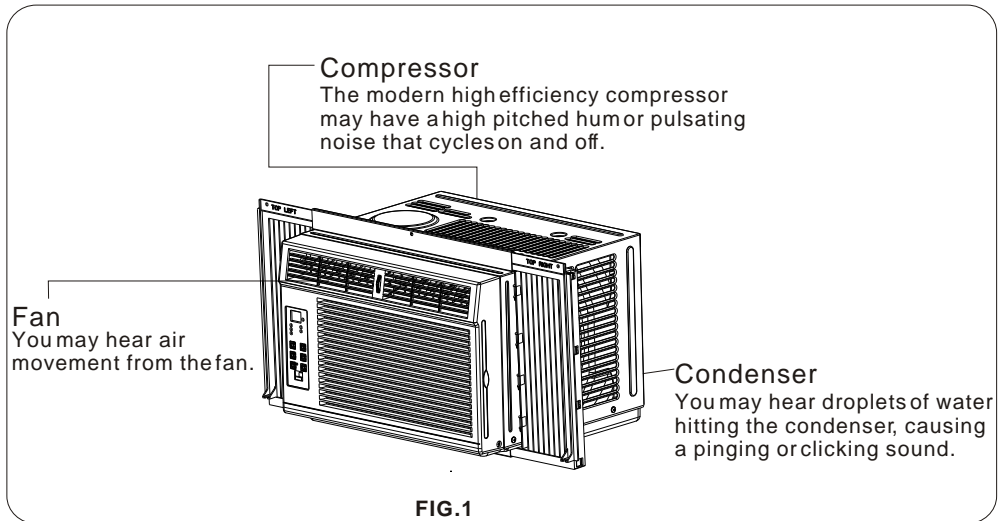
1. Cools and circulates the room air.
2. Lowers humidity by removing excess moisture.
3. Filters out summertime dust, dirt, and some airborne impurities.

The air conditioner performs these functions by drawing the room air through a filter which traps dust and dirt particles. The air then passes over a cooling coil which refrigerates the air and removes excess moisture. The same air is then returned to the room-cooler, drier, and cleaner. Moisture removed from the room air is carried to the outside and evaporated.

Your air conditioner is designed to be easy to operate and to provide plenty of cooling power.

## Normal Sounds

Aside from the regular fan motor and compressor sounds coming from your air conditioner, you will once in a while hear a pinging sound. This is the result of moisture inside the room air being thrown against the running fan. This is normal and should not be caused for concern. Also, do not be alarmed if you hear a slight hissing or gurgling sound coming from your air conditioner after it is off. These are normal coolant noises.



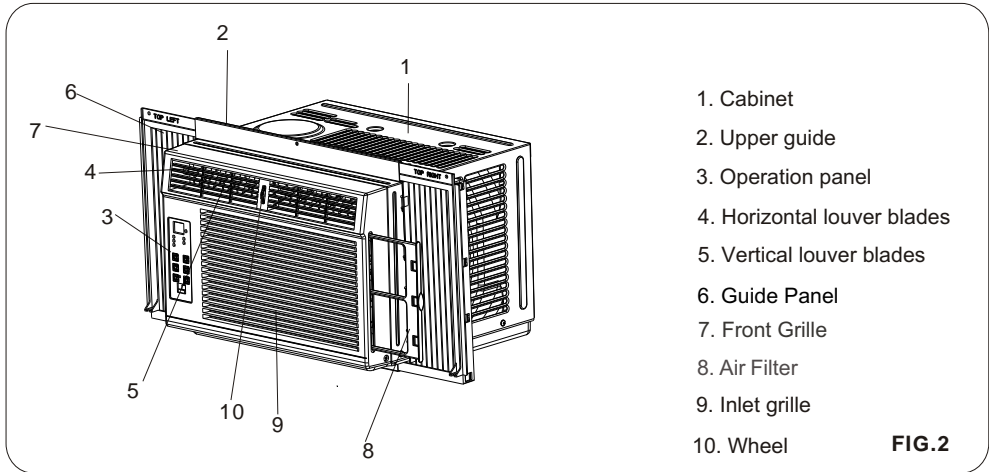
## Capacitance and Running Time

Proper unit size is important in deciding the desired comfort for the area you want to cool. The proper size is determined by the number of square feet in the area to be cooled.

Whenever the heat or humidity load is above normal, the air conditioner must run longer and more often to keep the desired temperature you have selected. Under heavy heat load conditions, the air conditioner may need to run constantly to keep the temperature you want.

At times using the high fan setting to circulate the room air may make it comfortable even though you do not set the air conditioner to cool the air. This will save your cost of use.

## Features



## Using the Air Conditioner

### WARNING

To reduce the risk of fire, electric shock, or injury to persons, read the section of important safety instructions before operating the appliance.

#### **To begin operating the air conditioner after installation, follow these steps:**

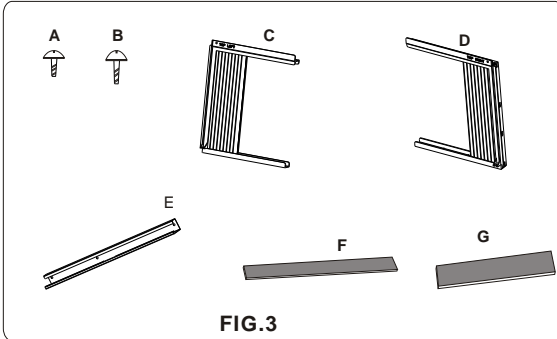
1. Plug in the air conditioner. (To prevent electrical hazards, do not use an extension cord or an adapter plug.)
2. Turn on the power switch.
3. Select the cool mode.
4. Set the fan speed at the high level.
5. Adjust the air direction control tabs for comfortable airflow.
6. Once the room has cooled, adjust the set temperature and fan speed to the setting you find most comfortable.

#### **Note:**

If the air conditioner is turned off, a "compressor protection" is automatically self-activated. The compressor cannot operate during a "compressor protection" condition. (This is normal) it may take 3 minutes before the "protection circuit" self-deactivates.



# INSTALLATION



ITEM	NAME OF PARTS	Q'TY
A	SCREW(ST4X10FT)	3
B	SCREW(ST4X16FT)	5
C	GUIDE PANEL(LEFT)	1
D	GUIDE PANEL(RIGHT)	1
E	UPPER GUIDE	1
F	FOAM STRIP(Adhesive backed)	1
G	FOAM STRIP(Not adhesive backed)	1

**Attention:** For detailed content of accessories, please take our package as major reference.

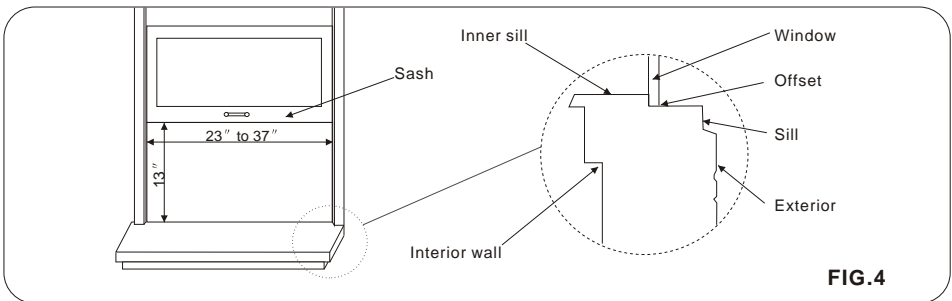
## REQUIRED TOOLS:

- Tight fitting gloves
- Standard screwdriver
- Pliers
- Sharp knife
- 3/8-inch open end wrench or adjustable wrench
- 1/4-inch hex socket and ratchet
- Tap measure
- Electric drill
- 1/4-inch drill bit

## WINDOW REQUIREMENTS

This air conditioner will be installed into standard double hung windows with actual clear opening widths of 23" to 37" (about 920mm to 580mm).(FIG.4).

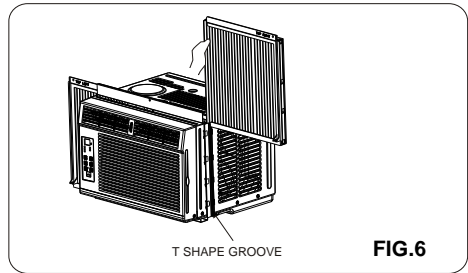
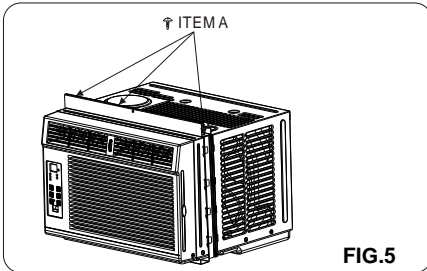
Lower sash must open sufficiently to allow a clear vertical opening of 13" (about 325mm). Side louvers and the rear of the air conditioner must have clear air space to allow enough airflow through the condenser for heat removal. The rear of the unit must be outdoors, not inside a building or garage.



## PREPARATION OF CHASSIS

### 1 UPPER GUIDE

Fasten the upper guide (ITEM E) on the top of the air conditioner with 3 screws (ITEM A) as shown in FIG.5.

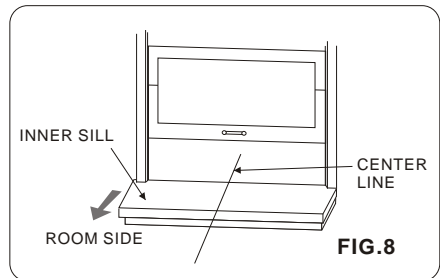
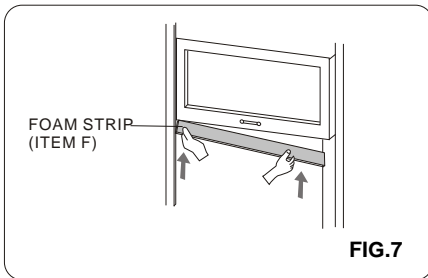


### 2 SIDE CURTAINS

Pull the curtains and make them fit into the T shape groove from the top down, then insert and push the frame into the guides of the air conditioner, as shown in FIG.6.

### 3 FOAM STRIP

Cut the adhesive-backed foam strip (ITEM F) to the window width. Remove the backing from the foam strip and attach the foam strip to the underside of the bottom window. (FIG.7)



### 4 LOCATE THE UNIT IN WINDOW

Open the window and mark center line with pencil in the center of the inner sill, as shown in FIG.8.

# INSTALLATION

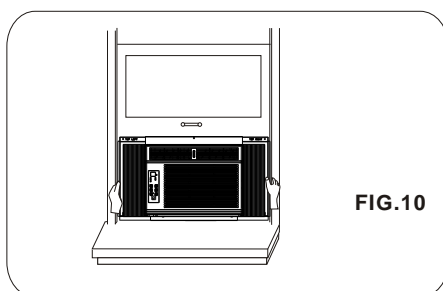
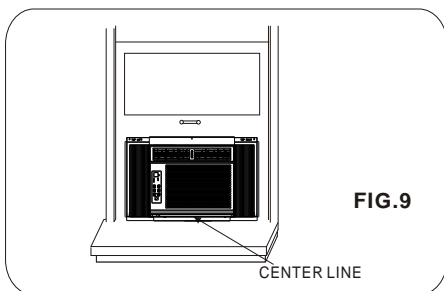
## UNIT INSTALLATION

**⚠ Caution:** During the following step, hold unit firmly until window sash is lowered to top channel behind side panel frames. Personal injury or property damage may result if unit falls from window.

### 1 INSTALL THE AIR CONDITIONER ON THE WINDOW

Carefully lift the air conditioner and slide it into the open window. Make sure it is put in the center of the window as shown in FIG.9.

While steadying the air conditioner, carefully bring the window sash down behind the upper guide of the air conditioner. Extend the guide panels to fill the window opening, as shown in FIG.10.

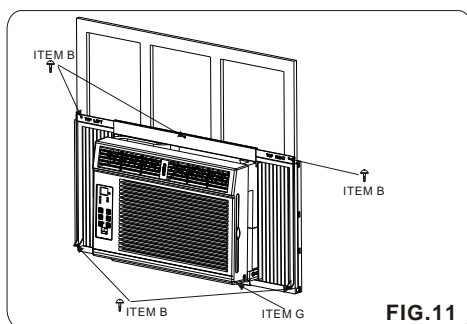


When the air conditioner is properly installed, it should tilt slightly down at the back. If it is set correctly in the window, it will hang lower in the back automatically. If it does not, there is a problem with the installation.

### 2 SECURE THE GUIDE PANELS

Fasten the top of the guide panels to the sash with 3 screws (ITEM B), then fasten the lower part of the guide panels to the sill with 2 screws (ITEM B), as shown in FIG.11.

Finally, inset the foam seal (ITEM G) in the space between the window sill and the bottom of the air conditioner. As shown in FIG.11.



## 3 IF AIR CONDITIONER IS BLOCKED BY STORM WINDOW FRAME

Proper clearance enhances the cooling efficiency of the unit and prevents heat radiation of the condenser. If storm window presents interference, fasten a 2" wide wood strip to the inner window sill across the full width of the sill. The wood strip should be thick enough to raise the height of the window sill so that the unit can be installed without interference from the storm window frame. See FIG.12.

The top of the wood strip should be approximately 0.75" higher than the storm window frame or wood strip to help condensation to drain properly to the outside.

Install a second wood strip (approximately 6" long by 1.5" wide and same thickness as first strip) in the center of the outer sill flush against the back of the inner sill, as shown in FIG.12.

If the distance between storm window frame and wood strip mounted on top of inner sill is more than 1" two of wood strips are not necessary.

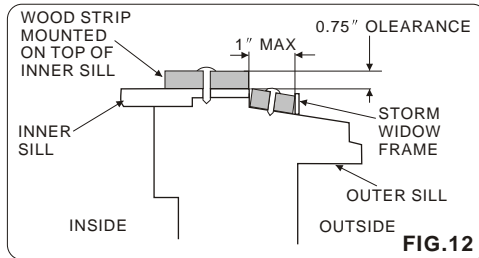


FIG.12

## REMOVAL FROM WINDOW

Turn off the air conditioner and disconnect the power cord. Remove the 5 screws installed through the window and the air conditioner, and save for reinstallation later. Close the guide panels. Keeping a firm grip on the air conditioner, raise the sash, and carefully tilt the air conditioner away from you to drain any condensate water. Remove the air conditioner from the window .

**Note:** Please note that there is a screw on the left and right side of the air conditioner covered by the curtain fastening strips. Before disassembling the unit please first take out the curtain fastening strips then loose the screw on each side, as shown in FIG.13.

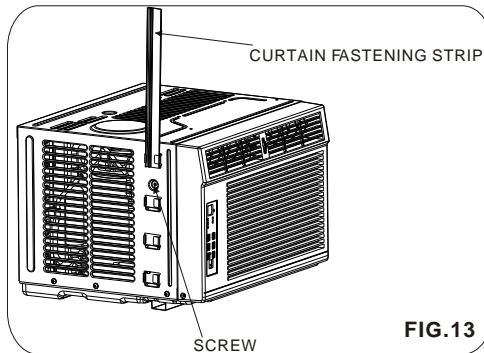


FIG.13

## ⚠ CAUTION

Air conditioners covered in this manual pose an excessive weight hazard. Two or more people are needed to move and install the unit.

To prevent injury or stain, use proper lifting and carrying techniques when moving unit.

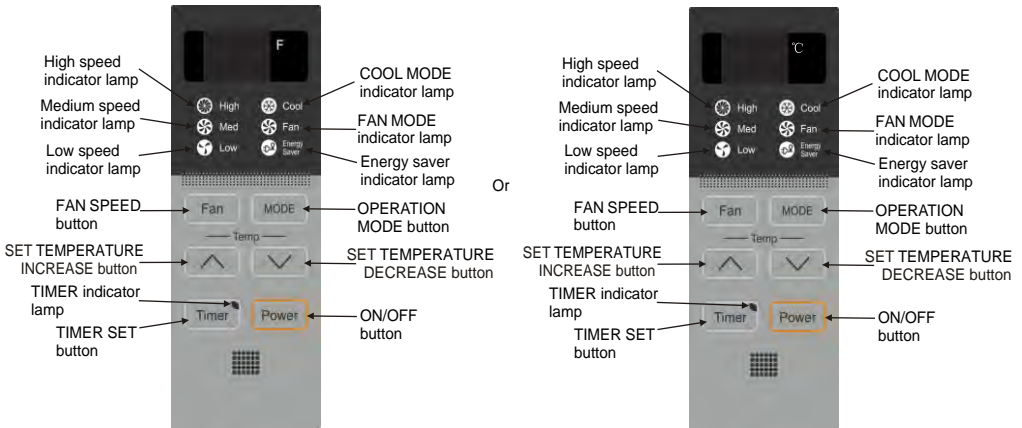
When handling the air conditioner, be careful to avoid cuts from sharp metal fins on front and rear coils.

Make sure air conditioner does not fall during removal.

# OPERATING INSTRUCTIONS

## OPERATION PANEL

The control featured in this manual are representative of the many models available. Your model may look slightly different.



### 1. ON/OFF button

Turns on/off the air conditioner.



**Caution:** If you turn off the air conditioner or switch from cooling to the fan, wait at least 3 minutes before setting to cooling again.

### 2. FAN SPEED button

Use to set the fan speed in the order of: low → medium → high → low.

### 3. OPERATION MODE button

Use to select the operation mode in the order of: COOL mode → FAN mode → ENERGY SAVER → COOL mode and relative indicator lamps will illuminate.

## 4. TIMER SET button (Timer range: 1-24 hours)

1) When the unit is on, press this button once to start timer off function and "01" will be shown on the display ,every press of this button increases the AUTO-OFF time by 1 hour(24 hours at most), when the time accumulates to 24 , press this button again the air conditioner will quit timer function. You can refer to the following: 01→02→...→24 → quit timer function.




Notice: The time of AUTO-OFF will be displayed for 10 seconds , after that the display will change to display the set temperature but in fan mode the room temperature will be displayed.




2) When the unit is off, press this button once to start timer on function and "01" will be shown on the display ,every press of this button increases the AUTO-ON time by 1 hour(24 hours at most), when the time accumulates to 24 , press this button again the air conditioner will quit timer function. You can refer to the following: 01→02→...→24 → quit timer function. When the timer on is activated the timer indicator lamp and the relative mode indicator lamps will flash and other buttons on the control panel are not functional , modes can be changed by pressing the buttons on the remote controller.

Notice: AUTO-ON time will be displayed all the time before the air conditioner is turned on.

3) The display of AUTO-ON/OFF time will be decreased by one hour.

## 5. TEMPERATURE ADJUSTMENT button

 Button: When the unit is on, at cool mode the set temperature is displayed on the display all along . Press button  once the set temperature will increase 1°F(1°C), every press of this button increases the set temperature by 1°F(1°C). The range of setting temperature is limited to 88°F(31°C). At fan mode, button  is not functional.

 Button: When the unit is on, at cool mode the set temperature is displayed on the display all along . Press button  once the set temperature will decrease 1°F(1°C), every press of this button decreases the set temperature by 1°F(1°C). The range of setting temperature is limited to 61°F(16°C). At fan mode, button  is not functional.

## 6. AIR FLOW DIRECTION ADJUSTMENT

Moving the wheel on the front grille of the unit , the airflow can be directed to the left, right, straight ahead, or any combination of these directions.

## FUNCTION SPECIFICATIONS

### 1. COOL RUNNING

- 1). Initial set temperature is 79°F(26°C).
- 2). 3-minute time delay function of the compressor. When the setting temperature is lower than the room temperature, the compressor starts; when the setting temperature is higher than the room temperature the compressor stops.
- 3). The range of setting temperature is 61 °F-88 °F(16°C-31°C).
- 4). Both fan speed and air flow direction are adjustable.

# OPERATING INSTRUCTIONS

---

## **2. FAN RUNNING**

- 1). In fan mode, the display panel displays the room temperature, and both fan speed and air flow direction are adjustable.
- 2). The compressor does not operate during FAN mode.

## **3. ENERGY SAVER**

- 1). This function is only available during cool running and the fan speed can be adjusted.
- 2). During ENERGY SAVER fan motor runs when the compressor runs, fan motor stops when the compressor stops.

## **4.PROMPTING FOR CLEANING THE AIR FILTER**

After the air conditioner has run for 200 hours and when it is turned off, the displaypanel will flashly display"CF" to remindyou of cleaningthe air filter.

## **5. SLEEP FUNCTION**

Press the sleep button on the remote controller to start sleep function and press it again to stop sleep function . During sleep mode, only the relative function indicator lamp lights.

Notice: Press fan speed button during sleep mode, the air conditioner will stop sleep function.

During cooling mode, the set temperature will increase 2°F(1°C) one hour after setting SLEEP mode, and will increase 2°F(1°C) once more in the next one hour (that means the set temperature increases 4°F(2°C) within two hours after setting sleep mode), then the air conditioner will work at this temperature all along.

During SLEEP mode, FAN SPEED will be "LOW".

## REMOTE CONTROLLER

**TEMPERATURE+ ADJUSTMENT button**  
In cool mode every press of this button increases the setting temperature by 1°F(1°C). If it is pressed continuously the temperature will increase by 1°F(1°C) every 0.5 second after 1 second. The range of setting temperature is 61-88°F(16°C-31°C).

**TEMPERATURE- ADJUSTMENT button**  
In cool mode every press of this button decreases the setting temperature by 1°F(1°C). If it is pressed continuously the temperature will decrease by 1°F(1°C) every 0.5 second after 1 second. The range of setting temperature is 61-88°F(16°C-31°C).

**ON/OFF button**  
Turns unit ON/OFF.

**OPERATION MODE button**  
Press it to select the operation mode: COOL → FAN → COOL

**FAN SPEED button**  
Press it to change the fan speed in the order of low-medium-high-auto-low.

**Signal ejecting window**  
It sends signals to the unit.

**TIMER SET & TIMER INCREASE button**  
Press it once, if the air conditioner is set timer before the display will display the time of timer and you can increase the time by pressing this button, if not, the timer function will be initiated and "01" will be shown on the unit, which means the time of timer is 1 hour. Every press of this button increases the time by 1 hour(24 hours at most). If it is pressed continuously the time will increase by 1 hour every 0.5 second after 1 second. You can refer to the following: 01 → 02 → ... → 24 → quit timer function.

**TIMER SET & TIMER DECREASE button**  
1. Press it once, if the air conditioner is set timer before the display will display the time of timer and you can decrease the time by pressing this button, if not, the timer function will be initiated and "01" will be shown on the unit, which means the time of timer is 1 hour. When the timer is set 1 hour, press this button again the timer function will be stop. 2. When the time of timer is set by the button "▲", you can decrease the time by pressing this button. Every press of this button decreases the time by 1 hour. If it is pressed continuously the time will increase by 1 hour every 0.5 second after 1 second. You can refer to the following: 24 → 23 → ... → 01 → quit timer function.

**SLEEP button**  
Press it once to start sleep function and press it again to stop sleep function.

**ENERGY SAVER button**  
Used it to initiate or stop energy saver operation. It is only functional in cool mode.

- HEAT mode is not applied to cool only type .  
For specific usage and function of all buttons, please refer to "OPERATION PANEL" on Page 12-14.

### ● NOTICE:

1. To operate, the remote should be within 6 meters of the unit with a clear line of sight.
2. Remove the batteries if the remote controller is not to be used for long periods of time.



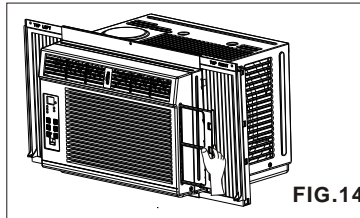
# MAINTENANCE

TURN THE AIR CONDITIONER OFF AND REMOVE THE PLUG FROM THE POWER OUTLET.

## Air Filter Cleaning

The air filter should be checked at least twice a month to see if cleaning is necessary. Trapped particles in the filter will build up and block the airflow. This reduces the cooling capacity and also causes an accumulation of frost on the cooling evaporator. To clean the air filter:

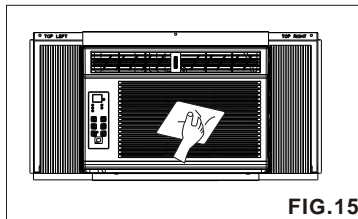
1. Put your hands on the handle on the right hand side of the front grille then pull the air filter out, as shown in FIG.14.
2. Wash the air filter under the faucet with warm water. Be sure to shake off all the water before replacing the filter.



## Air Conditioner Cleaning

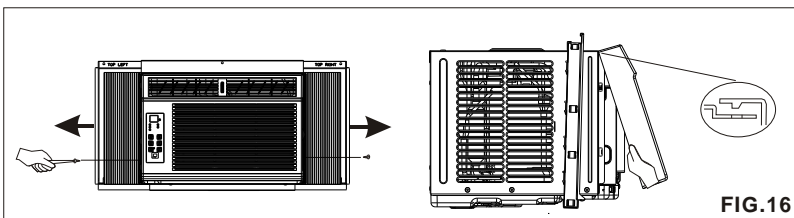
Clean the front grille and inlet grille by wiping with a cloth dampened in mild detergent solution, as shown in FIG.15. The cabinet may be washed with mild soap or detergent and lukewarm water, then polish with liquid appliance wax.

To ensure continued peak efficiency, the condenser coils (outdoor side of the unit) should be checked periodically and cleaned if they become clogged with soot or dirt. Brush or vacuum exterior coils to remove debris from fins.



## How to Remove the Front Grille

1. Remove the two screws securing the front grille.
2. Pull the grille up from the bottom and pull the top of the grille away from the case to lift the top tabs out of their slots, as shown in FIG.16.



## BEFORE CALLING FOR SERVICE

Check the following list to be sure a service call really necessary. A quick reference to this manual may help you avoid an unneeded service call.

## THE AIR CONDITIONER WILL NOT OPERATE

Check if...	Then...
Wall plug disconnected.	Push plug firmly into wall outlet.
House fuse blown or electric breaker tripped.	Replace fuse with time delay type or reset circuit breaker.
Unit was turned off and then immediately on.	Turn unit off and wait 3 minutes before restarting.
Temperature set warmer than room temperature.	Set the temperature lower .

## AIR FROM UNIT DOES NOT FEEL COLD ENOUGH

Check if...	Then...
Fan speed set in low .	Set fan speed to high .
The temperature set too warm.	Set the unit to lower temperature.
Room temperature below 61°F(16°C).	Cooling may not occur until room temperature rises above 61°F(16°C).
Temperature sensing tube touching evaporator coil, located behind front grille.	Remove front grille, and straighten tube away from evaporator coil.

## THE AIR CONDITIONER COOLING, BUT ROOM IS TOO WARM-ICE FORMING ON COOLING COIL BEHIND INLET GRILLE.

Check if...	Then...
Outdoor temperature below 70°F(21°C).	To defrost the coil, set the air conditioner to fan mode.
Air filter may be dirty.	Clean filter. Refer to maintenance section of owner's manual.
The air conditioner set too cold for night-time cooling.	To defrost the coil, set the air conditioner to fan mode.

## THE AIR CONDITIONER COOLING, BUT ROOM IS TOO WARM

Check if...	Then...
Dirty air filter-air restricted.	Clean air filter. Refer to maintenance section of owner's manual.
The temperature set too warm.	Set the unit to lower temperature.
Front of unit is blocked by drapes, furniture, etc. Air distribution is restricted.	Clear blockage in front of unit.
Doors, windows, registers, etc. open, cold air escapes.	Close doors, windows registers, etc.
Unit recently turned on in hot room.	Allow additional time to remove stored heat from walls, ceiling, floor and furniture.

## THE AIR CONDITIONER TURNS ON AND OFF RAPIDLY.

Check if...	Then...
Outside temperature is extremely hot.	Set fan speed to high speed to bring air past cooling coils faster.

## NOISE WHEN UNIT IS COOLING

Check if...	Then...
Sound of fan hitting water-from the moisture removal system.	This is normal when humidity is high. Close doors, windows and registers.
Window vibration-poor installation.	Refer to installation instructions or check with installer.

## **TROUBLE DISPLAY**

- Er : indicates malfunction of the room temperature resistance.
- En : indicates malfunction of the pipe temperature resistance.
- Ed : indicates malfunction of anti-icing protection. ● E1: air filter clean.

# CLIMATISEUR D'AIR — CONSIGNES DE SÉCURITÉ

## Votre sécurité et celle des autres est très importante.

Nous donnons de nombreux messages de sécurité importants dans ce guide et sur votre appareil. Assurez-vous de toujours lire tous les messages de sécurité et de vous y conformer.



Voici le symbole d'alerte de sécurité.

Ce symbole vous signale les dangers potentiels de décès et de blessures graves à vous et à d'autres.

Tous les messages de sécurité suivront le symbole d'alerte de sécurité et le mot « DANGER » ou « AVERTISSEMENT ». Ces mots signifient :

**⚠ PELIGRO**

Risque possible de décès ou de blessure grave si vous ne suivez pas immédiatement les instructions.

**⚠ ADVERTENCIA**

Risque possible de décès ou de blessure grave si vous ne suivez pas les instructions.

Tous les messages de sécurité vous diront quel est le danger potentiel et vous indiquent comment réduire le risque de blessure et ce qui peut se produire en cas de non-respect des instructions.

## CONSIGNES DE SÉCURITÉ



**AVERTISSEMENT :** Veuillez lire toutes les instructions avant de faire fonctionner ce climatiseur. Lors de l'utilisation de cet appareil, des précautions d'usage doivent être respectées, y compris les instructions suivantes :

- ⚠** 1) Le climatiseur d'air doit être branché à une prise électrique adéquate et être correctement alimenté en électricité.
- ⚠** 2) Afin de réduire les risques d'électrocution et d'incendie, assurez-vous de bien avoir mis l'appareil à la terre. **NE COUPEZ OU N'ENLEVEZ PAS LA BROCHE DE MISE À LA TERRE.** Si vous n'avez pas de fiche tripolaire sur votre mur, demandez à un électricien qualifié d'installer la prise appropriée. La prise murale **DOIT** être correctement mise à la terre.
- ⚠** 3) Ne faites pas fonctionner le climatiseur si le cordon d'alimentation est éraillé ou autrement endommagé. Évitez de vous servir de l'appareil si le cordon ou la fiche présente des fissures ou des dommages dus à l'abrasion, ou encore si l'appareil présente quelque défautuosité ou dommage que ce soit. Communiquez avec un technicien agréé en entretien et en réparation pour une vérification, des réparations ou des ajustements.
- ⚠** 4) **N'UTILISEZ PAS D'ADAPTATEUR OU DE RALLONGE.**
- 5) N'entravez pas la circulation de l'air autour du climatiseur. La sortie d'air ne devrait pas être obstruée de quelque manière que ce soit.
- 6) Débranchez toujours le climatiseur avant d'en faire l'entretien ou de le déplacer.
- 7) N'installez pas le climatiseur et ne le faites pas fonctionner dans un milieu où l'air contient des gaz combustibles ou des vapeurs huileuses ou sulfureuses. Évitez tout contact entre des substances chimiques et votre appareil.

- 8) Ne placez aucun objet sur le dessus de l'appareil.
- 9) Ne faites jamais fonctionner un climatiseur d'air dont les filtres ne sont pas installés.
- 10) Ne vous servez pas du climatiseur d'air près d'un bain, d'une douche ou d'un lavabo.

## **CONSERVEZ CES INSTRUCTIONS**

**ATTENTION!** Si le climatiseur d'air a été entreposé en position horizontale ou inclinée pour quelque période de temps que ce soit, attendez 24 heures avant de le rebrancher.

# Instructions importantes

- Veuillez conserver ce guide dans un endroit sûr.
- N'utilisez aucun liquide ou produit de nettoyage en aérosol pour nettoyer cet appareil. Servez-vous d'un linge humide.
- Ne déversez jamais de liquide sur le panneau de commande. Cela pourrait entraîner une commotion électrique aux pièces électroniques internes et les mettre hors d'état ou entraîner leur mauvais fonctionnement.
- Ne tentez jamais de désassembler ce produit par vous-même, puisque cela annulera la garantie. Le désassemblage non supervisé et l'assemblage inadéquat de l'intérieur du panneau arrière peut causer des dommages au circuit électrique et nuire à son rendement. Lorsque des travaux d'entretien et de réparation s'imposent, veuillez communiquer avec votre centre local d'entretien et de réparation ou avec votre distributeur local.

## Exigences concernant le lieu d'installation

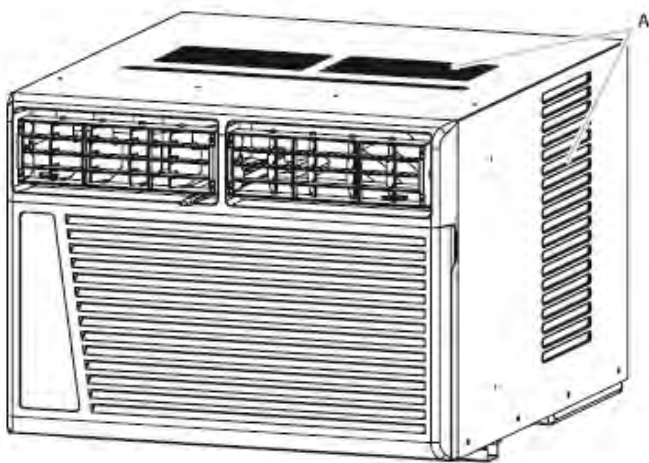
**IMPORTANT :** Conformez-vous à l'ensemble des codes et des ordonnances en vigueur. Inspectez l'endroit où l'installation sera effectuée. Assurez-vous d'avoir en main tout le nécessaire pour mener à bien l'installation. Recommandations concernant l'endroit choisi pour faire l'installation :

- Une prise électrique mise à la terre située à moins de 183 cm (6 pi) de la sortie du cordon d'alimentation du climatiseur d'air.

**REMARQUE :** N'utilisez pas de rallonge électrique.

- Une libre circulation de l'air dans la pièce que vous désirez climatiser.
- Une ouverture assez grande pour loger le climatiseur. Les pièces sont fournies en prévision d'une installation à une fenêtre à guillotine à deux châssis mobiles.
- Un support mural suffisant pour supporter le poids de l'appareil.

**REMARQUE :** Les pales de circulation d'air du caisson (A) ne doivent pas être obstruées. L'air doit pouvoir circuler librement par les pales de circulation d'air.



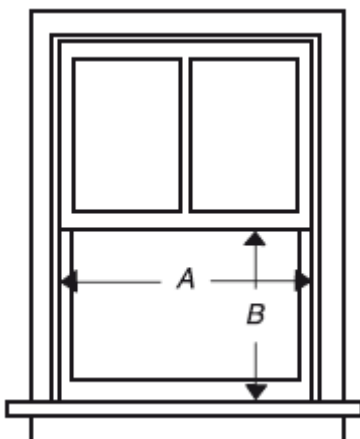
A. Pales de circulation d'air

## Installation à la fenêtre

Mesures de l'ouverture de fenêtre :

A. Largeur d'ouverture maximale variant entre.

B. Hauteur d'ouverture minimale de.



Modelos	RACE6001, RACE8001	RACE1001, RACE1201
A	38"	36 3/4"
B	13 1/4"	14 3/4"

## Exigences en matière d'électricité

### AVERTISSEMENT



#### Risque d'électrocution

**Branchez l'appareil à une fiche tripolaire mise à la terre.**

**Ne retirez pas la broche de mise à la terre.**

**N'utilisez pas d'adaptateur.**

**N'utilisez pas de rallonge électrique.**

**Le non-respect de ces instructions peut entraîner la mort, un incendie, ou une électrocution.**

Les caractéristiques électriques de votre climatiseur d'air sont indiquées sur l'étiquette du numéro de modèle et de série. Cette étiquette est située soit sur le côté, soit à l'arrière du caisson de votre appareil, ou encore à l'arrière de la grille avant.

Les exigences précises en matière d'électricité figurent dans la fiche ci-dessous. Conformez-vous aux exigences relatives au type de fiche du cordon d'alimentation.

#### Cordon d'alimentation

#### Exigences en matière de câblage électrique



- 115 volts (103,5 min. à 126,5 max.)
- 0 à 12 A
- Fusible temporisé ou disjoncteur de 15 A
- N'utilisez l'appareil que sur des circuits à prise unique.

#### Méthode recommandée pour la mise à la terre

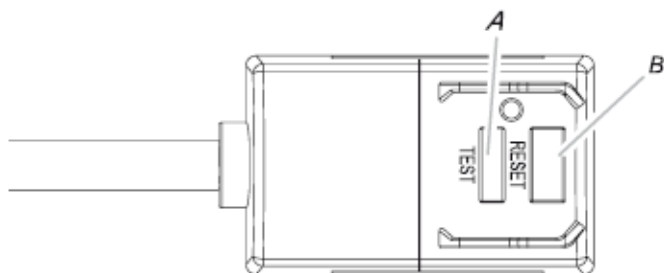
Ce climatiseur d'air doit être mis à la terre. L'appareil comporte un cordon d'alimentation muni d'une fiche à trois broches, dont une de mise à la terre. Le cordon doit être branché à une prise d'accouplement tripolaire mise à la terre conformément aux codes et aux ordonnances en vigueur. Si une prise d'accouplement n'est pas disponible, il incombe au client qu'une telle prise tripolaire correctement mise à la terre soit installée par un électricien qualifié.

Il incombe au client de :

- Communiquer avec un électricien qualifié.

## Cordon d'alimentation

**REMARQUE :** Votre climatiseur d'air peut différer du modèle illustré.



A. Bouton de Test  
A. Bouton de réinitialisation (RESET)

Ce climatiseur d'air individuel est muni d'un cordon d'alimentation conforme aux exigences de l'UL. Ce cordon comporte des composants électroniques de pointe qui détectent les fuites. Si le cordon est écrasé, les composants électroniques détectent s'il y a une fuite et l'alimentation est interrompue en une fraction de seconde.

## ⚠️ AVERTISSEMENT



### Risque d'électrocution

**Branchez l'appareil à une fiche tripolaire mise à la terre.**

**Ne retirez pas la broche de mise à la terre.**

**N'utilisez pas d'adaptateur.**

**N'utilisez pas de rallonge électrique.**

**Le non-respect de ces instructions peut entraîner la mort, un incendie, ou une électrocution.**

### Pour faire l'essai de votre cordon d'alimentation :

1. Branchez le cordon d'alimentation à une prise tripolaire mise à la terre.
2. Appuyez sur RESET (sur certains modèles, un voyant lumineux vert s'allumera).
3. Appuyez sur TEST (attendez d'entendre un déclic; le bouton RESET se déclenchera, et, sur certains modèles, un voyant lumineux vert s'illuminera).
4. Appuyez sur RESET, puis relâchez-le (attendez d'entendre un déclic; le bouton RESET s'enclenchera, et, sur certains modèles, un voyant lumineux vert s'illuminera). Le cordon d'alimentation est prêt à être utilisé.

### REMARQUES :

- Le bouton de réinitialisation doit être enfoncé pour un fonctionnement adéquat.
  - Le cordon d'alimentation doit être remplacé si le déclenchement ne se fait pas lorsque le bouton de test est enfoncé ou s'il ne se réinitialise pas.
  - Ne vous servez pas du cordon d'alimentation pour mettre l'appareil en marche ou à l'arrêt.
  - Un cordon d'alimentation endommagé ne doit pas être réparé; il doit être remplacé par un nouveau cordon d'alimentation, obtenu auprès du fabricant.
  - Le cordon d'alimentation ne comporte aucune pièce pouvant être entretenue ou réparée.
- Le fait d'ouvrir le boîtier inviolable annule toute garantie ainsi que les allégations de performance.

## INSTRUCTIONS D'INSTALLATION

### Déballage du climatiseur d'air

## ⚠️ AVERTISSEMENT

### Risque de poids excessif

**Le déplacement et l'installation de l'appareil doivent se faire à deux personnes ou plus.**

**Le non-respect de cette consigne peut entraîner des blessures au dos ou à d'autres parties du corps.**

### Retirer les matières d'emballage

- Retirez les matières d'emballage et disposez-en ou recyclez-les. Nettoyez les résidus de colle et de ruban adhésif des surfaces de l'appareil avant de le mettre en marche. Frottez les résidus adhésifs avec une petite quantité de savon à vaisselle liquide sur vos doigts. Essuyez avec de l'eau tiède et séchez.

- N'utilisez aucun instrument coupant, d'alcool à friction, de liquides inflammables ou de nettoyants abrasifs pour enlever le ruban adhésif ou la colle. Ces produits peuvent endommager la surface de votre climatiseur.
- Manipulez le climatiseur d'air avec soin.

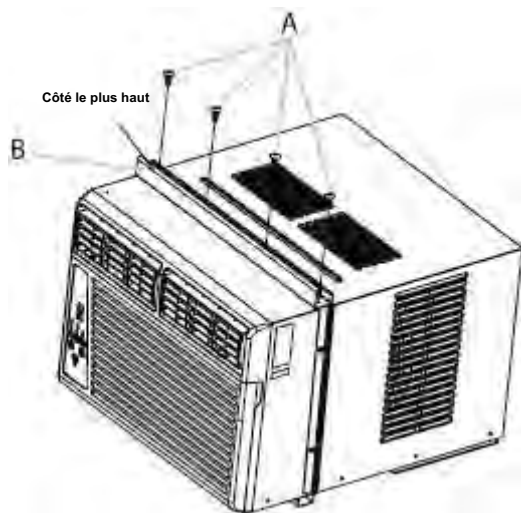
### Préparez l'appareil pour l'installation

#### Installation de la glissière supérieure

1. Placez la glissière supérieure sur le dessus du caisson du climatiseur, de sorte que les trous de la glissière soient alignés avec ceux percés sur le dessus du climatiseur. Le plus haut côté de la glissière devra être orienté vers l'intérieur.
2. Au moyen de quatre vis courtes, fixez la glissière supérieure au climatiseur.



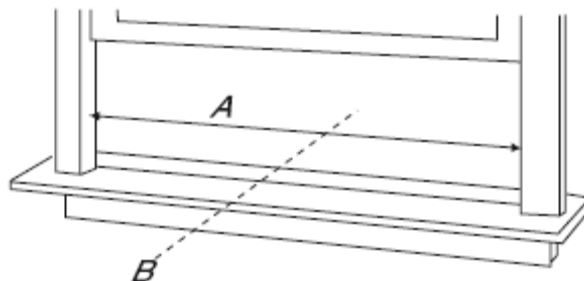
**REMARQUE :** Votre climatiseur peut différer du modèle illustré.



A. Vis  $\frac{3}{8}$  po  
A. Glissière supérieure

## Préparez la fenêtre pour l'installation

1. Mesurez la largeur de l'ouverture de la fenêtre.
2. Tracez une ligne de démarcation du centre sur l'appui de fenêtre intérieur.



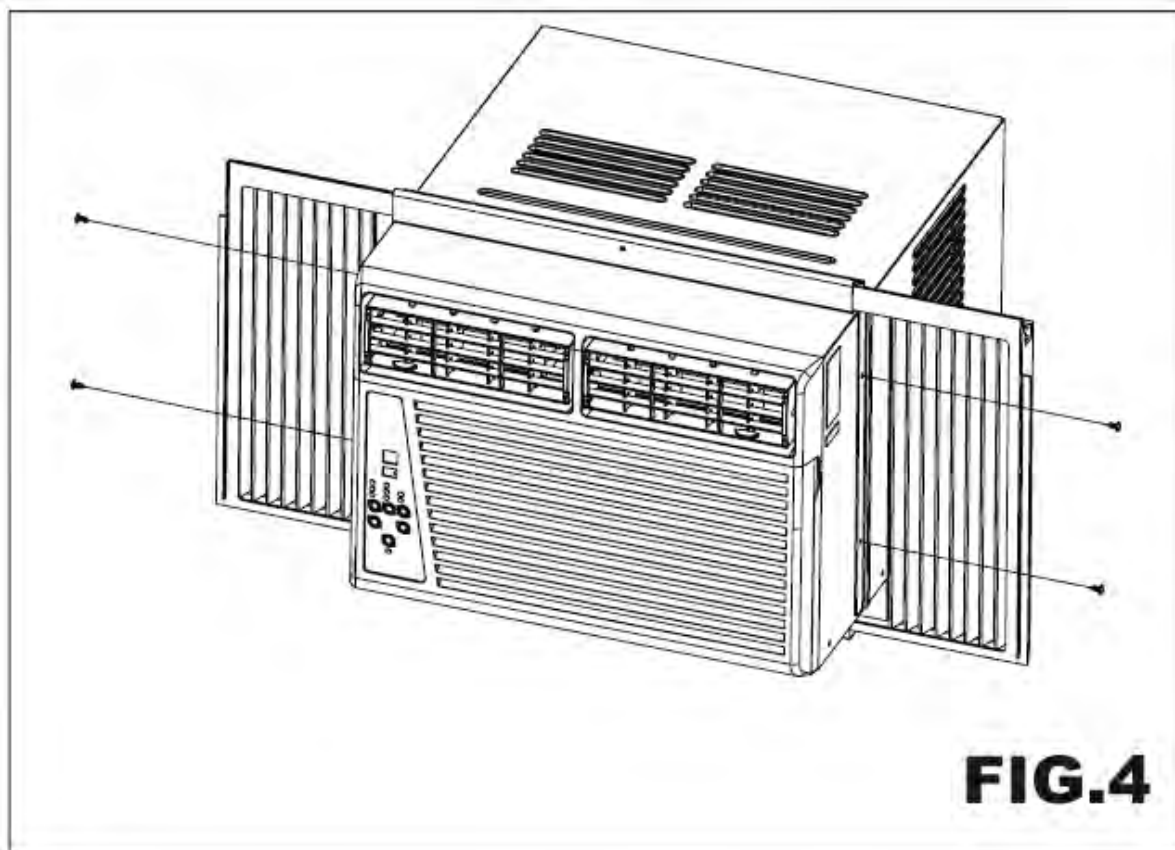
A. Largeur de l'ouverture de fenêtre  
B. Ligne de démarcation du centre

# INSTALLATION

## PANNEAUX EXTENSIBLES)

**REMARQUE :** La glissière supérieure et les panneaux extensibles sont munis de trous décalés pour fournir l'angle adéquat à l'arrière de l'appareil. Cela est nécessaire à l'utilisation et à l'évacuation adéquates de l'eau produite par la condensation.

- Insérez les panneaux extensibles dans les glissières supérieure et inférieure du climatiseur. Fixez les panneaux à l'appareil au moyen des vis, comme le montre la figure 4. Il y a un panneau droit et un panneau gauche. Assurez-vous d'utiliser le bon panneau pour chaque côté. Tenez le panneau correspondant au côté que vous voulez installer dans la main, et tirez doucement sur le centre pour déployer le côté ouvert. Voir la figure 4. (Lorsqu'installée, la semelle de fixation du panneau à la fenêtre sera toujours orientée vers l'intérieur.



## Positionnement du climatiseur

### **! AVERTISSEMENT**

#### Risque de poids excessif

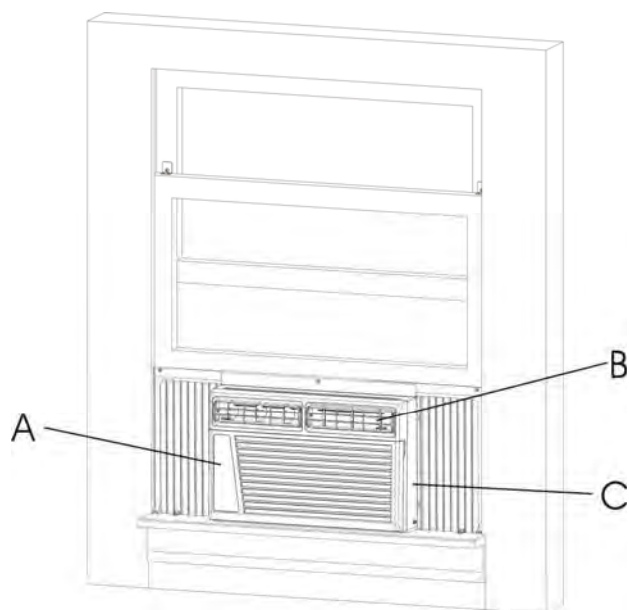
**Le déplacement et l'installation de l'appareil doivent se faire à deux personnes ou plus.**

**Le non-respect de cette consigne peut entraîner des blessures au dos ou à d'autres parties du corps.**

#### REMARQUES :

- Manipulez le climatiseur d'air avec soin.
  - Assurez-vous que votre climatiseur ne glisse pas de l'ouverture pendant l'installation ou la désinstallation.
  - La sortie du cordon d'alimentation sur le climatiseur ne devrait pas être à plus de 183 cm (6 pi) d'une prise électrique mise à la terre.
  - Ne bloquez pas les pales de circulation de l'air du panneau avant.
  - Rien ne doit obstruer les pales de circulation d'air de l'appareil.
1. Centrez le climatiseur dans la fenêtre. Fermez le châssis de la fenêtre jusqu'à ce celui-ci repose à l'arrière de la glissière, de façon à tenir le caisson en place.

**REMARQUE :** Votre climatiseur peut différer du modèle illustré.

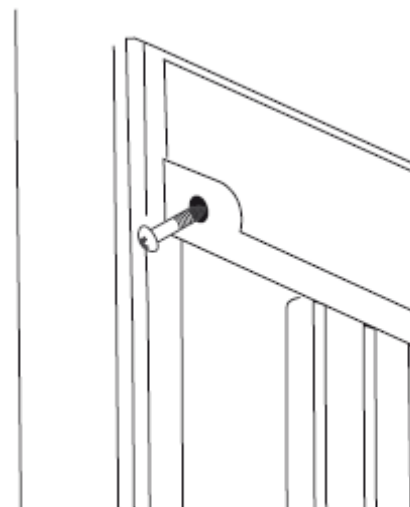


- A. *Panneau extensible appuyé contre la glissière latérale*
- B. *Châssis de la fenêtre reposant à l'arrière de la glissière supérieure*
- C. *Glissière inférieure à l'arrière de l'appui de fenêtre*

#### Fixation des panneaux extensibles à la fenêtre

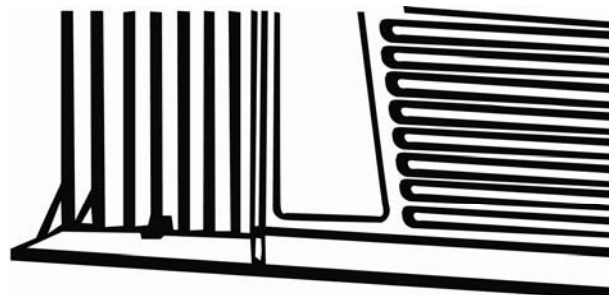
1. Déployez le panneau gauche jusqu'à ce qu'il s'emboîte dans la glissière latérale.
2. Utilisez une mèche de  $\frac{3}{8}$  po pour percer un avant-trou par le trou supérieur du panneau extensible dans le châssis de la fenêtre.
3. Insérez l'une des vis à bois dans le trou supérieur du panneau extensible gauche et dans le châssis de fenêtre.
4. Répétez l'opération pour le panneau droit.

#### Vue du dessus

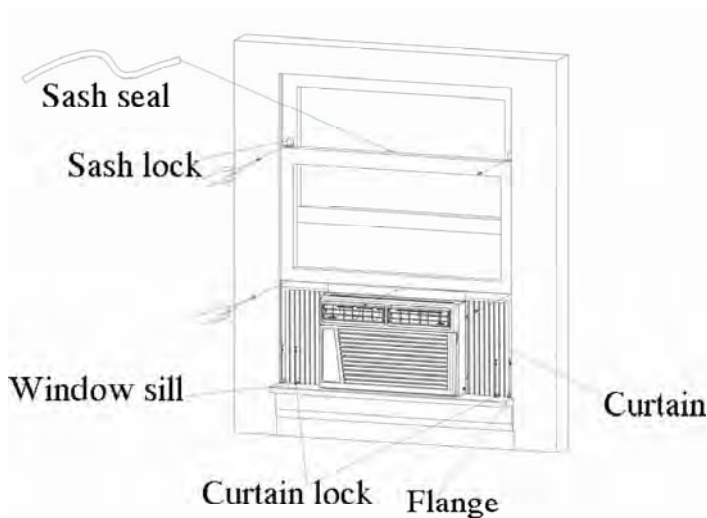


5. Utilisez une mèche de  $\frac{1}{8}$  po pour percer un avant-trou par le trou inférieur du panneau extensible dans le cadre de la fenêtre.
6. Insérez l'une des vis à bois dans le trou inférieur du panneau gauche et dans le cadre de fenêtre.
7. Répétez l'opération pour le panneau droit.

#### Vue du bas



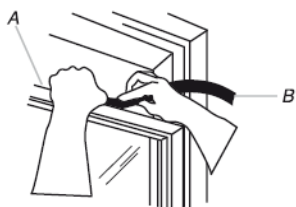
## Installation des ferrures de blocage des panneaux extensibles



- Placez les ferrures de blocage entre les panneaux extensibles et l'appui de fenêtre.
- Percez un avant-trou de 1/8 de po dans l'appui de fenêtre et installez les vis à bois.
- Fixez solidement les panneaux extensibles gauche et droit.

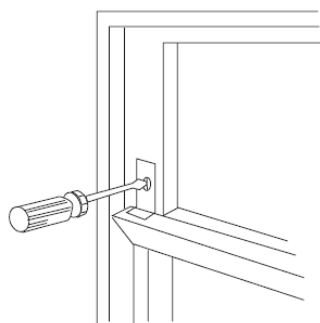
### Compléter l'installation

1. Insérez le joint d'étanchéité en mousse à l'arrière du dessus du cadre de fenêtre inférieur, de façon à ce qu'il repose contre la fenêtre supérieure.



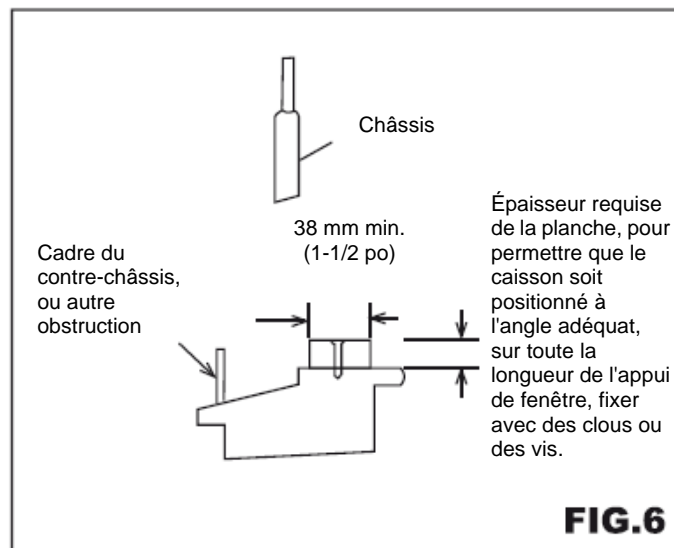
- A. Dessus du cadre de fenêtre inférieur  
B. Joint d'étanchéité en mousse

2. Placez la ferrure de blocage comme l'illustration le montre. Utilisez une mèche de 1/8 de po pour percer un avant-trou par le trou de la ferrure de blocage et dans la fenêtre supérieure.
3. Fixez la ferrure de blocage à la fenêtre supérieure au moyen d'une vis à bois pour fixer solidement la fenêtre.



## DANS LE CAS OÙ CLIMATISEUR EST BLOQUÉ PAR UN CONTRE-CHÂSSIS

- Ajoutez des pièces de bois comme le montre la figure 6, ou ôtez le contre-châssis avant d'installer le climatiseur.
- Si le cadre du contre-châssis doit demeurer en place, assurez-vous que les orifices d'évacuation ne soient ni calfatés, ni bouchés par de la peinture. Il est impératif de permettre l'évacuation de l'eau de pluie ou de l'eau produite par la condensation.



**FIG.6**

## ⚠ AVERTISSEMENT



### Risque d'électrocution

**Branchez l'appareil à une fiche tripolaire mise à la terre.**

**Ne retirez pas la broche de mise à la terre.**

**N'utilisez pas d'adaptateur.**

**N'utilisez pas de rallonge électrique.**

**Le non-respect de ces instructions peut entraîner la mort, un incendie, ou une électrocution.**

4. Branchez l'appareil à une fiche tripolaire mise à la terre.
5. Appuyez sur le bouton de réinitialisation du cordon d'alimentation. Consultez les « Exigences en matière d'électricité ».

---

## EMPLOI DU CLIMATISEUR

Le fait d'utiliser votre climatiseur d'air de manière appropriée vous procurera les meilleurs résultats possibles.

Cette partie explique comment faire fonctionner le climatiseur de manière appropriée.

### IMPORTANT :

- Si vous mettez le climatiseur à l'arrêt, attendez au moins 3 minutes avant de le remettre en marche. Cela empêche le climatiseur de faire sauter un fusible ou déclencher un disjoncteur.

- N'essayez pas de faire fonctionner votre climatiseur en mode réfrigération (Cool) lorsque la température extérieure est inférieure à 16°C (61°F). Le serpentin d'évaporateur interne gèlera et le climatiseur ne fonctionnera pas de manière adéquate.

**REMARQUE :** En cas de panne de courant, votre climatiseur fonctionnera selon les réglages précédant la panne lorsque le courant sera rétabli.

---

## ENTRETIEN DU CLIMATISEUR

Votre nouveau climatiseur est conçu pour vous procurer de nombreuses années de service dévoué. Cette partie vous enseigne comment nettoyer et entretenir votre climatiseur adéquatement.

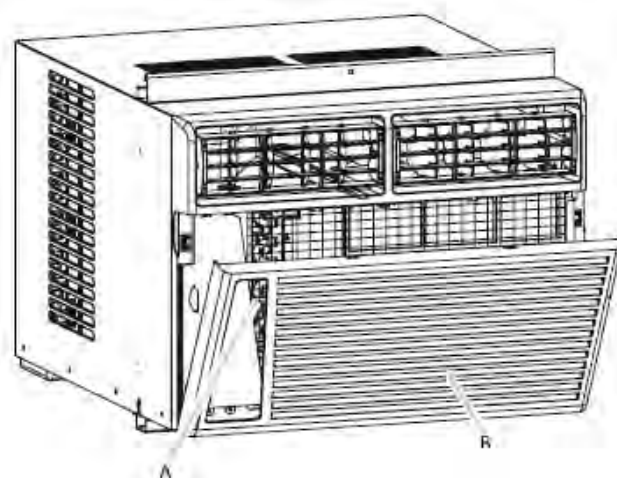
---

### Nettoyage du filtre à air

Le filtre à air est amovible, ce qui facilite le nettoyage. La propreté du filtre aide à réduire la teneur de l'air en poussières, mousses, et autres particules, et est importante pour un meilleur rendement de refroidissement et de fonctionnement. Vérifiez le filtre toutes les deux semaines pour voir s'il a besoin d'être nettoyé.

**REMARQUE :** Ne faites jamais fonctionner un climatiseur d'air dont le filtre n'est pas installé.

1. Mettez le climatiseur en marche.
2. Ouvrez le panneau avant et ôtez le filtre à air.
3. Servez-vous d'un aspirateur pour nettoyer le filtre à air. Si le filtre est très sale, lavez-le avec de l'eau chaude et un savon doux. Ne mettez jamais un filtre à air au lave-vaisselle et n'utilisez pas de produit nettoyant chimique. Veillez à ce que le filtre à air soit complètement sec avant de le remettre en place pour une efficacité maximale.
4. Remettez le filtre à air en place.
5. Refermez le panneau avant.
6. Mettez le climatiseur en marche.



A. Filtre à air  
B. Panneau avant

---

### Nettoyage du panneau avant.

1. Mettez le climatiseur à l'arrêt.
2. Nettoyez le panneau avant avec un chiffon doux et humide.
3. Séchez complètement le panneau avant à l'air.
4. Mettez le climatiseur en marche.

---

### Entretien annuel


Votre climatiseur nécessite un entretien annuel pour veiller à ce qu'il vous procure un rendement stable et maximal tout au long de l'année. Appelez votre dépositaire local autorisé pour mettre à l'horaire un examen annuel. Les frais afférents à l'inspection annuelle sont de votre ressort.

# DÉPANNAGE

Avant d'appeler pour de l'entretien, essayez de mettre en pratique les conseils suggérés suivants pour voir si vous pouvez régler le problème sans l'aide d'un tiers.

## Le climatiseur ne fonctionne pas

**AVERTISSEMENT**



**Risque d'électrocution**

**Branchez l'appareil à une fiche tripolaire mise à la terre.**

**Ne retirez pas la broche de mise à la terre.**

**N'utilisez pas d'adaptateur.**

**N'utilisez pas de rallonge électrique.**

**La non-observance de ces instructions peut entraîner la mort, un incendie, ou une électrocution.**

- Le cordon d'alimentation est débranché.** Branchez-le à une prise tripolaire mise à la terre. Consultez les « Exigences en matière d'électricité ».

- Le cordon d'alimentation s'est déclenché (le bouton Reset s'est déclenché).** Appuyez sur RESET, puis relâchez-le (attendez d'entendre un dé clic; le bouton Reset s'enclenchera, et, sur certains modèles, un voyant lumineux vert s'illuminera) pour remettre l'appareil en marche.
- Un fusible domestique a sauté, ou un disjoncteur s'est déclenché.** Remplacez le fusible ou enclenchez le disjoncteur. Si le problème persiste, faites appel à un électricien. Consultez les « Exigences en matière d'électricité ».
- Le bouton Power n'est pas enfoncé, ou le bouton de commande Mode est en position « Off ».** Appuyez sur POWER, ou placez le bouton de commande du mode à un réglage actif.
- Votre réseau d'électricité local est en panne.** Attendez que le courant soit rétabli.

## Le climatiseur fait sauter des fusibles ou déclenche des disjoncteurs.

- Trop d'appareils sont utilisés en même temps sur le même circuit.** Débranchez ou déménagez les appareils partageant le même circuit.
- Un fusible à retardement ou un disjoncteur possédant une capacité inadéquate est utilisé.** Remplacez l'élément fautif par un fusible à retardement ou un disjoncteur possédant une capacité adéquate. Consultez les « Exigences en matière d'électricité ».

- ❑ **Vous utilisez une rallonge électrique.** N'utilisez pas de rallonge sur cet appareil ou sur tout autre appareil.
- ❑ **Vous essayez de redémarrer le climatiseur trop tôt après l'avoir mis à l'arrêt.** Attendez au moins 3 minutes avant de remettre le climatiseur en marche après sa mise à l'arrêt.

---

#### **Le cordon d'alimentation du climatiseur s'est déclenché (le bouton Reset est déclenché).**

---

- ❑ **Des perturbations de votre courant électrique peuvent déclencher (le bouton Reset se déclenche) le cordon d'alimentation.** Appuyez sur le bouton RESET, puis relâchez-le (attendez d'entendre un déclic; le bouton Reset s'enclenchera, et, sur certains modèles, un voyant lumineux vert s'illuminera) pour remettre l'appareil en marche.
- ❑ **Une surcharge électrique, une surchauffe, un étranglement du cordon d'alimentation ou le vieillissement de celui-ci peuvent déclencher (le bouton Reset se déclenche) le cordon.** Après avoir remédié au problème, appuyez sur le bouton RESET, puis relâchez-le (attendez d'entendre un déclic; le bouton Reset s'enclenchera, et, sur certains modèles, un voyant lumineux vert s'illuminera) pour remettre l'appareil en marche.

**REMARQUE :** Un cordon d'alimentation endommagé ne doit pas être réparé; il doit être remplacé par un cordon d'alimentation neuf, obtenu auprès du fabricant.

---

#### **Le climatiseur semble trop fonctionner**

---

- ❑ **Le climatiseur actuel remplace un modèle plus ancien.** L'utilisation de composants plus efficaces peut amener le climatiseur à fonctionner plus longtemps qu'un modèle plus ancien, mais l'énergie totale consommée sera moindre. Les climatiseurs plus récents n'émettent pas le « souffle » d'air froid auquel vous êtes accoutumé sur les modèles plus anciens; toutefois, cela n'indique pas que leur capacité de refroidissement ou leur efficacité soit amoindrie. Consultez le rendement énergétique et la capacité nominale (en Btu/h) indiqués sur le climatiseur.
- ❑ **Le climatiseur se trouve dans une pièce densément meublée, ou des appareils émettant de la chaleur se trouvent dans la pièce.** Actionnez les conduits de sortie pendant que vous cuisinez ou prenez un bain, et essayez de ne pas vous servir d'appareils émettant de la chaleur au point le plus chaud de la journée. Un climatiseur présentant une plus grande capacité peut être nécessaire, selon la taille de la pièce à refroidir.

---

#### **Le climatiseur passe trop souvent de la marche à l'arrêt et ne refroidit pas la pièce en mode refroidissement.**

---

- ❑ **Le climatiseur n'est pas de taille adéquate pour votre pièce.**  
Vérifiez les capacités refroidissantes de votre climatiseur d'air individuel. Ces appareils ne sont pas conçus pour refroidir plus d'une pièce.
- ❑ **Le filtre est sale ou obstrué par des débris.** Nettoyez le filtre.
- ❑ **La pièce présente une chaleur ou un taux d'humidité excessif (cuisson sans couvercle, douches, etc.).** Démarrez un ventilateur pour faire évacuer la chaleur ou l'humidité de la pièce. Essayez de ne pas vous servir d'appareils ménagers générant de la chaleur au point le plus chaud de la journée.
- ❑ **Les pales d'évacuation de l'air sont bloquées.** Installez le climatiseur dans un endroit où les pales ne sont pas obstruées par des rideaux, des stores, des meubles, etc.
- ❑ **La température extérieure est inférieure à 16 °C (61°F).** N'essayez pas de faire fonctionner votre climatiseur en mode fraîcheur (Cool) lorsque la température extérieure est inférieure à 16 °C (61°F).
- ❑ **La température de la pièce que vous essayez de rafraîchir est extrêmement élevée.** Laissez plus de temps au climatiseur pour rafraîchir une pièce où il fait très chaud.
- ❑ **Les fenêtres ou les portes donnant vers l'extérieur sont ouvertes.** Fermez toutes les fenêtres et portes.
- ❑ **Le bouton de commande n'est pas réglé à une température suffisamment fraîche.**  
Réglez le bouton de commande TEMP/TIME à un point plus frais en appuyant sur la flèche du bas pour réduire la température. Réglez le bouton de commande de la vitesse du ventilateur au réglage le plus élevé.

---

#### **De l'eau s'écoule du caisson à l'intérieur de votre pièce.**

---

- ❑ Le climatiseur n'est pas bien nivelé. Le climatiseur devrait être placé légèrement en pente vers l'extérieur. Nivelez l'appareil de sorte qu'il soit en pente vers l'extérieur et ainsi veiller à l'évacuation adéquate de l'eau. Consultez les instructions d'installation.
- REMARQUE :** Ne percez pas de trous dans la partie inférieure de la base métallique et du collecteur de condensat.