



**HP ProBook 450 G2 Notebook PC**  
**HP ProBook 455 G2 Notebook PC**

**Maintenance and Service Guide**

© Copyright 2014 Hewlett-Packard Development Company, L.P.

Intel and Pentium are trademarks of Intel Corporation in the U.S. and other countries. Bluetooth is a trademark owned by its proprietor and used by Hewlett-Packard Company under license. Microsoft, Windows, Windows 7, and Windows 8 are U.S. registered trademarks of the Microsoft group of companies. SD Logo is a trademark of its proprietor.

The information contained herein is subject to change without notice. The only warranties for HP products and services are set forth in the express warranty statements accompanying such products and services. Nothing herein should be construed as constituting an additional warranty. HP shall not be liable for technical or editorial errors or omissions contained herein.

First Edition: June 2014

Document Part Number: 773257-001

## **Product notice**


This guide describes features that are common to most models. Some features may not be available on your computer.

Not all features are available on all editions of Windows 8. This computer may require upgraded and/or separately purchased hardware, drivers, and/or software to take full advantage of Windows 8 functionality. See <http://www.microsoft.com> for details.

This computer may require upgraded and/or separately purchased hardware and/or a DVD drive to install the Windows 7 software and take full advantage of Windows 7 functionality. See <http://windows.microsoft.com/en-us/windows7/get-know-windows-7> for details.

## Important Notice about Customer Self-Repair Parts

---


 **CAUTION:** Your computer includes Customer Self-Repair parts and parts that should only be accessed by an authorized service provider. See Chapter 5, "Removal and replacement procedures for Customer Self-Repair parts," for details. Accessing parts described in Chapter 6, "Removal and replacement procedures for Authorized Service Provider only parts," can damage the computer or void your warranty.

---



## Safety warning notice

---

 **WARNING!** To reduce the possibility of heat-related injuries or of overheating the computer, do not place the computer directly on your lap or obstruct the computer air vents. Use the computer only on a hard, flat surface. Do not allow another hard surface, such as an adjoining optional printer, or a soft surface, such as pillows or rugs or clothing, to block airflow. Also, do not allow the AC adapter to contact the skin or a soft surface, such as pillows or rugs or clothing, during operation. The computer and the AC adapter comply with the user-accessible surface temperature limits defined by the International Standard for Safety of Information Technology Equipment (IEC 60950).

---



---

# Table of contents

<b>1 Product description .....</b>	<b>1</b>
<b>2 External component identification .....</b>	<b>8</b>
Display .....	8
Top .....	9
TouchPad .....	9
Lights .....	10
Buttons, speakers, and fingerprint reader (select models only) .....	11
Keys .....	12
Bottom .....	13
Front .....	14
Left .....	15
Right .....	16
Service tag and PCID label .....	17
Service tag .....	17
PCID label .....	18
<b>3 Illustrated parts catalog .....</b>	<b>19</b>
Computer major components .....	19
Display components .....	25
Cable Kit .....	26
Mass storage devices .....	27
Miscellaneous parts .....	27
Sequential part number listing .....	29
<b>4 Removal and replacement procedures preliminary requirements .....</b>	<b>37</b>
Tools required .....	37
Service considerations .....	37
Plastic parts .....	37
Cables and connectors .....	38
Drive handling .....	38
Grounding guidelines .....	39
Electrostatic discharge damage .....	39
Packaging and transporting guidelines .....	40
Workstation guidelines .....	40
Equipment guidelines .....	41

<b>5 Removal and replacement procedures for Customer Self-Repair parts .....</b>	<b>42</b>
Component replacement procedures .....	42
Battery .....	43
Service door .....	44
Hard drive .....	46
Memory modules .....	48
Optical drive .....	50
WLAN/Bluetooth combo card .....	52
WWAN module .....	54
Keyboard .....	56
<b>6 Removal and replacement procedures for Authorized Service Provider parts .....</b>	<b>59</b>
Component replacement procedures .....	59
Display subcomponents (bezel, webcam, panel) .....	60
Top cover .....	64
RTC battery, HP 455 models .....	67
Speaker assembly .....	68
Fingerprint reader assembly .....	70
Power button board .....	71
Function board .....	73
Card reader board .....	75
USB/audio board .....	77
Touchpad button board .....	79
Fan .....	81
Battery connector cable .....	83
System board .....	84
Optical drive extension board .....	89
RTC battery, HP 450 models .....	90
Heat sink assembly .....	92
Display assembly .....	95
Power connector and cable .....	102
<b>7 Computer Setup (BIOS), MultiBoot, and HP PC Hardware Diagnostics (UEFI) in Windows 8.1 .....</b>	<b>103</b>
Using Computer Setup .....	103
Starting Computer Setup .....	103
Navigating and selecting in Computer Setup .....	103
Restoring factory settings in Computer Setup .....	104
Updating the BIOS .....	104
Determining the BIOS version .....	104
Downloading a BIOS update .....	105



Using MultiBoot .....	106
About the boot device order .....	106
Choosing MultiBoot preferences .....	106
Setting a new boot order in Computer Setup .....	106
Dynamically choosing a boot device using the f9 prompt .....	107
Setting a MultiBoot Express prompt .....	107
Entering MultiBoot Express preferences .....	107
Using HP PC Hardware Diagnostics (UEFI) .....	108
Downloading HP PC Hardware Diagnostics (UEFI) to a USB device .....	108
<b>8 Computer Setup (BIOS), MultiBoot, and HP PC Hardware Diagnostics (UEFI) in Windows 7 .....</b>	<b>109</b>
Using Computer Setup .....	109
Starting Computer Setup .....	109
Navigating and selecting in Computer Setup .....	109
Restoring factory settings in Computer Setup .....	110
Updating the BIOS .....	110
Determining the BIOS version .....	110
Downloading a BIOS update .....	111
Using MultiBoot .....	112
About the boot device order .....	112
Choosing MultiBoot preferences .....	112
Setting a new boot order in Computer Setup .....	112
Dynamically choosing a boot device using the f9 prompt .....	113
Setting a MultiBoot Express prompt .....	113
Entering MultiBoot Express preferences .....	113
Using HP PC Hardware Diagnostics (UEFI) (select models only) .....	113
Downloading HP PC Hardware Diagnostics (UEFI) to a USB device .....	114
<b>9 Computer Setup (BIOS) and HP PC Hardware Diagnostics (UEFI) in Ubuntu Linux .....</b>	<b>115</b>
Starting Computer Setup .....	115
Using Computer Setup .....	115
Navigating and selecting in Computer Setup .....	115
Restoring factory settings in Computer Setup .....	116
Updating the BIOS .....	116
Determining the BIOS version .....	116
Downloading a BIOS update .....	117
Using HP PC Hardware Diagnostics (UEFI) .....	117
Downloading HP PC Hardware Diagnostics (UEFI) to a USB device .....	118

<b>10 Backup and recovery in Windows 8.1 .....</b>	<b>119</b>
Backing up your information .....	119
Performing a system recovery .....	119
Using the Windows recovery tools .....	119
Using f11 recovery tools .....	120
Using Windows operating system media (purchased separately) .....	121
Using Windows Refresh or Windows Reset .....	121
Using HP Software Setup .....	121
<b>11 Backup and recovery in Windows 7 .....</b>	<b>122</b>
Creating recovery media and backups .....	122
Guidelines .....	122
Creating recovery media with HP Recovery Disc Creator .....	122
Creating recovery media .....	123
Backing up your information .....	123
Performing a system recovery .....	124
Using the Windows recovery tools .....	124
Using f11 recovery tools (select models only) .....	125
Using Windows 7 operating system media .....	125
<b>12 Backup and Recovery in Ubuntu Linux .....</b>	<b>127</b>
Creating backups .....	127
Backing up your information .....	127
Performing a system recovery .....	128
USB Recovery option (select models only) .....	128
Remove everything and reinstall Ubuntu .....	129
<b>13 Specifications .....</b>	<b>131</b>
Computer specifications .....	131
39.6-cm (15.6-in) display specifications .....	132
Hard drive specifications .....	133
Solid-state drive specifications .....	134
DVD±RW SuperMulti DL Drive specifications .....	135
Blu-ray ROM DVD±RW SuperMulti DL Drive .....	136
DVD-ROM drive .....	136
Specification information in Device Manager .....	137
<b>14 Statement of Volatility .....</b>	<b>138</b>
Non-volatile memory usage .....	140
Questions and answers .....	142

<b>15 Power cord set requirements .....</b>	<b>143</b>
Requirements for all countries and regions .....	143
Requirements for specific countries and regions .....	143
<b>16 Recycling .....</b>	<b>145</b>
Battery .....	145
Display .....	145
<b>Index .....</b>	<b>151</b>



# 1 Product description

Category	Description	HP 450 UMA	HP 450 discrete	HP 455 UMA	HP 455 discrete
<b>Product Name</b>	<b>HP ProBook 450 G2 Notebook PC</b>	✓	✓		
	<b>HP ProBook 455 G2 Notebook PC</b>			✓	✓
<b>Processors</b>	<b>Intel® Core™ i7 processor, Dual Core, 4th generation (4-MB L3 cache)</b>				
	4510U, 2.0-GHz/3.1-GHz Core Turbo/Intel HD Graphics 4400	✓	✓		
	<b>Intel® Core i5 processors, Dual Core, 4th generation (3-MB L3 cache)</b>				
	4210U, 1.7-GHz/2.7-GHz Core Turbo processor/Intel HD Graphics 4400	✓	✓		
	<b>Intel Core i3 processors, Dual Core, 4th generation (3-MB L3 cache)</b>				
	4030U, 1.9-GHz processor/Intel HD Graphics 4400	✓	✓		
	4005U, 1.7-GHz processor/Intel HD Graphics 4400	✓	✓		
	<b>Intel Pentium processor, Dual Core (2-MB L3 cache)</b>				
	3558U, 1.7-GHz processor/Intel HD Graphics	✓	✓		
	<b>Intel Celeron processor (2-MB L3 cache)</b>				
	2957U, 1.4-GHz processor/Intel HD Graphics	✓	✓		
	<b>AMD processors</b>				
	AMD FX-7500, Quad Cores, 3.3 GHz/2.1 GHz, 2 MB L2 cache/Radeon™ R7 graphics			✓	✓
	AMD A10-7300, Quad Cores, 3.2 GHz/1.9 GHz 2 MB L2 cache/Radeon R7 graphics			✓	✓
AMD A8-7100, Quad Cores, 3.0 GHz/1.8 GHz 2 MB L2 cache/Radeon R6 graphics			✓	✓	
AMD A6 Pro-7050B, Dual Cores, 3.0 GHz/2.2 GHz 1 MB L2 cache/Radeon R5 graphics			✓	✓	
<b>Chipset</b>	Integrated with processor	✓	✓		
	AMD A76M FCH			✓	✓
<b>Graphics</b>	<b>Integrated UMA:</b>	✓		✓	
	See processor category.				
	<b>Switchable discrete (Intel processors):</b>		✓		
	AMD Radeon R5 M255 with 2 GB or 1 GB dedicated video memory				

Category	Description	HP 450 UMA	HP 450 discrete	HP 455 UMA	HP 455 discrete
	<b>Switchable discrete (AMD processors):</b>				√
	FX series APU - Graphic Branding AMD Radeon R7 M265DX with 2 GB of dedicated video memory				
	A10 series APU - Graphic Branding AMD Radeon R7 M260DX with 2 GB of dedicated video memory				
	A8 series APU - Graphic Branding AMD Radeon R6 M255DX with 2 GB of dedicated video memory				
	A6 series APU - Graphic Branding AMD Radeon R5 M255 with 2 GB of dedicated video memory				
	Supports HD decode, DX11, HDMI	√	√	√	√
	Supports PX5				√
	Supports PX7		√		√
<b>Panel</b>	<b>eDP – flat</b>	√	√	√	√
	39.6-cm (15.6-inch) HD, 1366x768, 200 nits, 3.8 mm, 1 or 2 WLAN antennas				
	39.6-cm (15.6-inch) HD, 1366x768, 200 nits, 3.8 mm, 1 or 2 WLAN antennas, camera	√	√		
	39.6-cm (15.6-inch) HD, 1366x768, 200 nits, 3.8 mm, 1 or 2 WLAN antennas, camera, WWAN	√	√		
	39.6-cm (15.6-inch) HD, 1366x768, 200 nits, 3.8 mm, touch panel, 1 or 2 WLAN antennas, camera (supported on UMA and 1 GB discrete graphics models only)	√	√		
	<b>eDP – slim</b>	√	√		
	39.6-cm (15.6-inch) HD, 1920x1080, 300 nits, 3.2 mm, 1 or 2 WLAN antennas				
	39.6-cm (15.6-inch) HD, 1920x1080, 300 nits, 3.2 mm, 1 or 2 WLAN antennas, camera	√	√		
	39.6-cm (15.6-inch) HD, 1920x1080, 300 nits, 3.2 mm, 1 or 2 WLAN antennas, WWAN, camera	√	√		
	All display assemblies include 1 or 2 wireless local area network (WLAN) antennas	√	√		
	Display assemblies include 2 worldwide 5-band (WWAN) antennas	√			
<b>Memory</b>	Two customer-accessible memory module slots supporting up to 16 GB of RAM	√	√	√	√
	Supports dual-channel memory	√	√	√	√
	PC3L-12800, 1600-MHz, DDR3L SODIMMs	√	√	√	√
	Supports the following configurations:	√	√	√	√
	<ul style="list-style-type: none"> <li>• 16384 MB (8192 × 2; dual channel)</li> <li>• 12288 MB (8192 + 4096; dual channel)</li> <li>• 8192 MB (8192 × 1)</li> </ul>				

Category	Description	HP 450 UMA	HP 450 discrete	HP 455 UMA	HP 455 discrete
	<ul style="list-style-type: none"> <li>8192 MB (4096 × 2; dual channel)</li> <li>6144 MB (4096 + 2048; dual channel)</li> <li>4096 MB (4096 × 1)</li> <li>2048 MB (2048 × 1)</li> </ul>				
<b>Primary storage</b>	Supports 7-mm/9.5-mm, 2.5-in SATA hard drives with HP 3D DriveGuard	√	√	√	√
	Customer-accessible	√	√	√	√
	Supports the following drives:	√	√		
	<ul style="list-style-type: none"> <li>1.5-TB, 5400-rpm</li> <li>1-TB, 5400-rpm</li> <li>750-GB, 7200-rpm</li> <li>750-GB, 5400-rpm</li> <li>500-GB, 7200-rpm</li> <li>500-GB, 5400-rpm</li> <li>500-GB, 5400-rpm, hybrid (8-GB SSD) MLC</li> <li>320-GB, 5400-rpm</li> <li>128-GB Solid-state drive (SSD)</li> </ul>				
	Supports the following drives:			√	√
	<ul style="list-style-type: none"> <li>1.5-TB, 5400-rpm</li> <li>1-TB, 5400-rpm</li> <li>750-GB, 5400-rpm</li> <li>500-GB, 7200-rpm</li> <li>500-GB, 5400-rpm</li> <li>320-GB, 5400-rpm</li> <li>128-GB Solid-state drive (SSD)</li> </ul>				
<b>Mini-card SSD</b>	<b>M.2 2242 SSD</b>	√	√		
	120 GB				
	Set as primary storage if selected. Not available with Celeron or Pentium processors. Not available with WWAN.				
<b>Fixed optical drives</b>	Supports the following 9.5-mm SATA optical drives:	√	√	√	√
	<ul style="list-style-type: none"> <li>DVD-ROM</li> <li>DVD+/-RW SuperMulti DL</li> </ul>				
	Blu-ray ROM DVD+/-RW SuperMulti DL	√	√		
	Supports no optical drive option	√	√	√	√
<b>Audio/Visual</b>	Integrated camera (720p HD)	√	√	√	√
	Stereo speakers (2)	√	√	√	√

Category	Description	HP 450 UMA	HP 450 discrete	HP 455 UMA	HP 455 discrete
	Integrated dual-array microphone (webcam models only)	√	√	√	√
	Integrated mono microphone (non-webcam models only)	√		√	
	Headphone/microphone combo jack	√	√	√	√
	Realtek ALC3227-CG	√	√	√	√
	Skype-ready	√	√	√	√
	HD audio with DTS Sound+	√	√	√	√
	Supports “no camera” option	√		√	√
<b>Ethernet</b>	Realtek RTL8161GSH-CG 10/100/1000	√	√	√	√
	S3/S4/S5 wake on LAN (AC mode and battery mode)	√	√	√	√
	NIC power down technology	√	√	√	√
	Ethernet cable not included	√	√	√	√
<b>Wireless</b>	<b>Integrated WLAN options by way of wireless module:</b>	√	√	√	√
	WLAN antennas built into display assembly	√	√	√	√
	Supports “no WLAN/Bluetooth” option	√	√	√	√
	Integrated WLAN options via Minicard:	√	√	√	√
	<ul style="list-style-type: none"> <li>• QCA 802.11 b/g/n 1x1 (Marilyn) Backup</li> <li>• Broadcom 802.11 a/b/g/n 2x2 +BT Combo (Bumblebee) w/o WiDi</li> <li>• Broadcom 802.11 b/g/n 1x1 +BT Combo (Harrier) Backup</li> <li>• Realtek 802.11 b/g/n 1x1 (Focus)</li> <li>• Realtek 802.11 b/g/n 1x1 +BT Combo (Skyray)</li> </ul>				
	Supports the following WLAN formats:	√	√		
	<ul style="list-style-type: none"> <li>• Intel 802.11 a/b/g/n/AC 2x2 +BT Combo (Wilkins Peak 2) - no vPro</li> <li>• Intel 802.11 a/b/g/n/AC 1x1 +BT Combo (Wilkins Peak 1)</li> </ul>				
	<b>Wireless Personal Area Network (PAN) only supported by Bluetooth 4.0 combo card</b>	√	√	√	√
	<b>Integrated WWAN options by way of wireless module:</b>				
	Two WWAN antennas built into display assembly (world-wide 5 band, configured with panels)	√			
	Subscriber identity module (SIM) security (customer-accessible)	√			
	Supports “no WWAN” option	√			
	Supports the following WWAN modules:	√			
	<ul style="list-style-type: none"> <li>• HP hs3110 HSPA+ Mobile Broadband Module</li> </ul>				



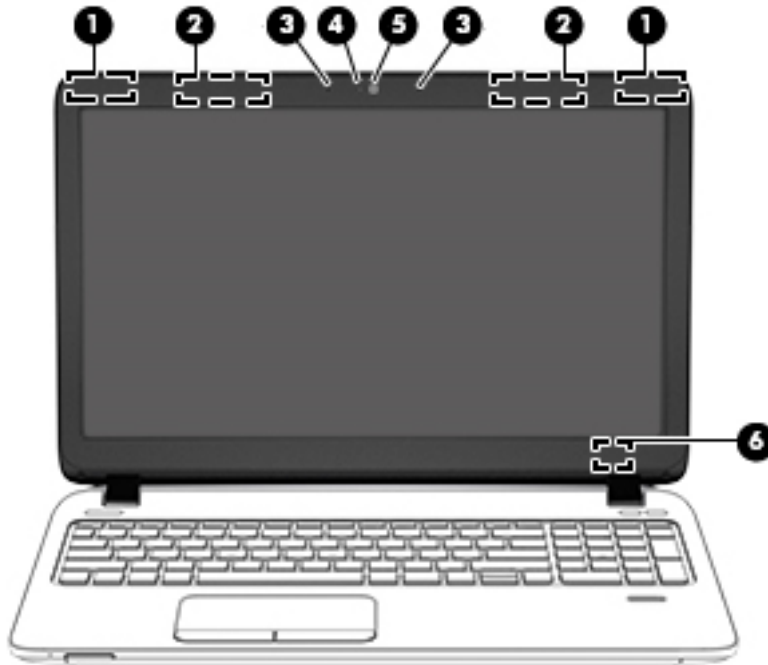
Category	Description	HP 450 UMA	HP 450 discrete	HP 455 UMA	HP 455 discrete
	<ul style="list-style-type: none"> <li>HP Lt4112 LTE/HSPA+ Gobi 4G Module</li> </ul>				
<b>External media card</b>	Digital Media Reader Slot Supports SD, SDHC, SDXC	√	√	√	√
<b>Ports</b>	Headphone/Microphone Combo Jack	√	√	√	√
	RJ-45 (Ethernet, includes link and activity lights)	√	√	√	√
	USB 3.0 (2)	√	√	√	√
	USB 2.0 (2)	√	√	√	√
	VGA (Dsub 15-pin) supporting 2048 × 1536 external resolution at 50-GHz (hot plug/unplug with auto-detect)	√	√		
	VGA (Dsub 15-pin) supporting 1920 × 1200 external resolution at 60-GHz (hot plug/unplug with auto-detect)			√	√
	HDMI 1.4	√	√	√	√
	Multi-pin AC port	√	√	√	√
<b>Keyboard/pointing devices</b>	Full-sized, chiclet, spill-resistant keyboard with numeric keypad	√	√	√	√
	Backlit, full-sized, chiclet, spill-resistant keyboard with numeric keypad	√	√	√	√
	Touchpad includes: on/off button on board; 2-way scroll with legend, taps enabled by default, 2-finger scrolling and zoom enabled by default	√	√	√	√
<b>Power requirements</b>	90-W Smart AC adapter with localized cable plug support (3-wire plug with ground pin)		√		
	65-W Smart AC adapter with localized cable plug support (3-wire plug with ground pin)		√		√
	45-W Smart AC adapter with localized cable plug support (3-wire plug with ground pin)	√		√	
	45-W AC adapter (2-prong)	√	√	√	√
	Power cord: 3-wire plug - 1.8 m or 1.0 m	√	√	√	√
	Power cord: 2-wire plug - 1.0 m				
	4-cell, 44-Wh, 3.0 Ah, Li-ion battery	√	√	√	√
	4-cell, 40-Wh, 3.0 Ah, Li-ion battery (long life)	√	√	√	√
<b>Security</b>	Integrated fingerprint reader	√	√	√	√
	No fingerprint reader option				
	Security lock				
	TPM SLB9660 (FW ver. 1.2) (Infineon; soldered down)				
	TPM support				
<b>Operating system</b>	<b>Preinstalled:</b>				
	Windows 7 Professional 64	√	√	√	√

Category	Description	HP 450 UMA	HP 450 discrete	HP 455 UMA	HP 455 discrete
	Windows 7 Home Premium 64	√	√	√	√
	Windows 7 Home Basic 64	√	√	√	√
	Windows 8.1 Professional 64-bit Digital Product Key (DPK) with Windows 7 Professional 64	√	√	√	√
	Windows 8.1 Professional 64-bit Digital Product Key (DPK) with Windows 7 Professional 64 – MSNA	√	√	√	√
	Windows 8.1 China (CH) 64-bit	√	√	√	√
	Windows 8.1 Emerging Markets (EM) 64-bit	√	√	√	√
	Windows 8.1 Multi-language (ML) 64-bit	√	√	√	√
	Windows 8.1 Professional 64-bit	√	√	√	√
	Windows 8.1 Professional 64-bit – MSNA	√	√	√	√
	FreeDOS 2.0	√	√	√	√
	Ubuntu Linux	√	√	√	√
	<b>Restore Media (DRDVD/SRDVD):</b>				
	DRDVD Windows 8.1	√	√	√	√
	DRDVD Windows 7	√	√	√	√
	SRDVD Ubuntu Linux	√	√	√	√
	<b>Restore Media (OSDVD):</b>				
	Windows 7 Home Basic 64	√	√	√	√
	Windows 7 Home Premium 64	√	√	√	√
	Windows 7 Professional 32	√	√	√	√
	Windows 7 Professional 64	√	√	√	√
	Windows 8.1 Professional 64	√	√	√	√
	Windows 8.1 64-bit	√	√	√	√
	Windows 8.1 Country Specific 64-Bit	√	√	√	√
	Windows 8.1 Emerging Market 64-Bit	√	√	√	√
	<b>Web-only support:</b>				
	Windows 7 Professional 32	√	√	√	√
	Windows 7 Enterprise 64	√	√	√	√
	Windows 7 Enterprise 32	√	√	√	√
	Windows 8.1 Enterprise 64	√	√	√	√
	<b>Certified:</b>				
	Microsoft WHQL	√	√	√	√
<b>Serviceability</b>	<b>End-user replaceable parts:</b>				

<b>Category</b>	<b>Description</b>	<b>HP 450 UMA</b>	<b>HP 450 discrete</b>	<b>HP 455 UMA</b>	<b>HP 455 discrete</b>
	AC adapter	√	√	√	√
	Battery (system)	√	√	√	√
	Hard drive	√	√	√	√
	Memory module	√	√	√	√
	Optical drive	√	√	√	√
	WLAN module	√	√	√	√
	WWAN module	√			
	Keyboard	√	√	√	√

## 2 External component identification

### Display



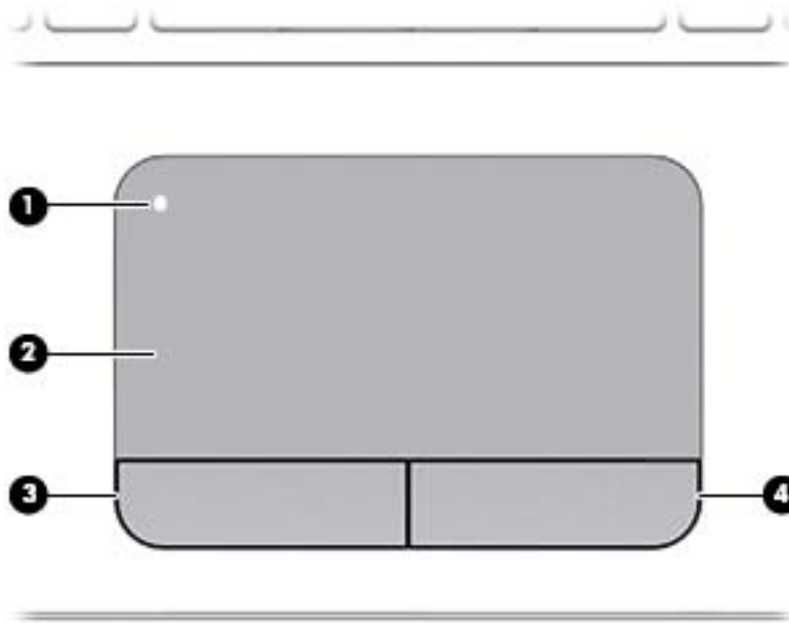
Component	Description
(1) WLAN antennas (2)* (select models only)	Send and receive wireless signals to communicate with wireless local area networks (WLAN).
(2) WWAN antennas (2)* (select models only)	Send and receive wireless signals to communicate with wireless wide area networks (WWAN).
(3) Internal microphones (2) (select models only)	Record sound.
(4) Webcam light (select models only)	On: The webcam is in use.
(5) Webcam (select models only)	Records video and captures photographs. Some models allow you to video conference and chat online using streaming video.  For information on using the webcam in Windows 8.1 , access HP Support Assistant. To access HP Support Assistant, from the Start screen, select the <b>HP Support Assistant</b> app.  For information on using the webcam in Windows 7, select <b>Start &gt; All Programs &gt; Communication and Chat &gt; HP WebCam</b> .
(6) Internal display switch	Turns off the display or initiates Sleep if the display is closed while the power is on.  <b>NOTE:</b> The display switch is not visible from the outside of the computer.

\*The antennas are not visible from the outside of the computer. For optimal transmission, keep the areas immediately around the antennas free from obstructions. For wireless regulatory notices, see the section of the *Regulatory, Safety, and Environmental Notices*

Component	Description
	that applies to your country or region. To access this guide in Windows 8.1 , from the Start screen, type <code>support</code> , and then select the <b>HP Support Assistant</b> app. To access the user guides in Windows 7, select <b>Start &gt; Help and Support &gt; User Guides</b> .

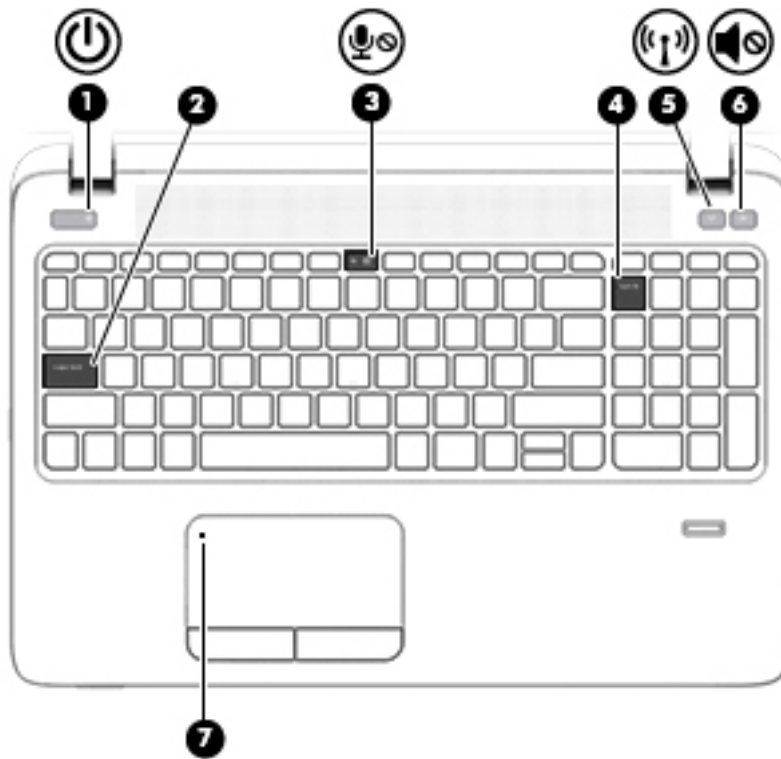
## Top



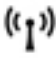

### TouchPad




Component	Description	
(1)	TouchPad on/off button	Turns the TouchPad on and off.
(2)	TouchPad zone	Moves the pointer and selects or activates items on the screen. <b>NOTE:</b> The TouchPad also supports edge-swipe gestures.
(3)	Left TouchPad button	Functions like the left button on an external mouse.
(4)	Right TouchPad button	Functions like the right button on an external mouse.

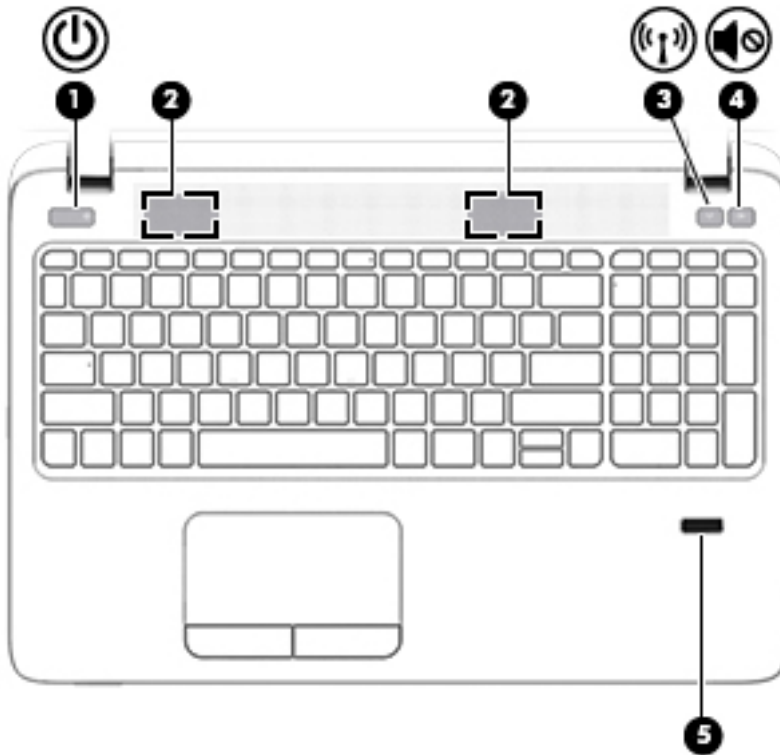
## Lights




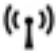

Component	Description
(1)  Power light	<ul style="list-style-type: none"> <li>On: The computer is on.</li> <li>Blinking: The computer is in the Sleep state, a power-saving state. The computer shuts off power to the display and other unneeded components.</li> <li>Off: The computer is off or in Hibernation. Hibernation is a power-saving state that uses the least amount of power.</li> </ul>
(2) Caps lock light	On: Caps lock is on, which switches the keys to all capital letters.
(3)  Microphone mute light	<ul style="list-style-type: none"> <li>Amber: microphone sound is off.</li> <li>Off: microphone sound is on.</li> </ul>
(4) Num lock light	On: Num lock is on.
(5)  Wireless light	<p>White: An integrated wireless device, such as a wireless local area network (WLAN) device and/or a Bluetooth® device, is on.</p> <p><b>NOTE:</b> On some models, the wireless light is amber when all wireless devices are off.</p>
(6)  Speaker mute light	<ul style="list-style-type: none"> <li>Amber: Computer sound is off.</li> <li>White: Computer sound is on.</li> </ul>
(7) TouchPad light	<ul style="list-style-type: none"> <li>Amber: The TouchPad is off.</li> <li>Off: The TouchPad is on.</li> </ul>

## Buttons, speakers, and fingerprint reader (select models only)

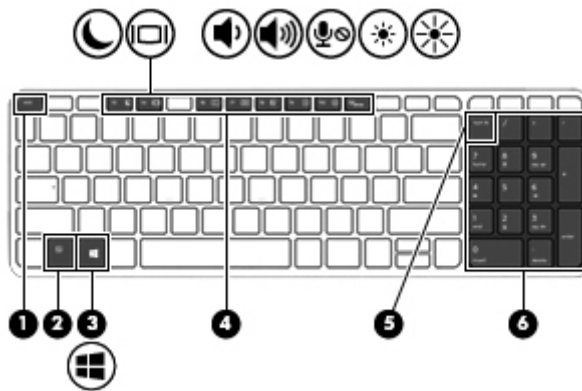
 **NOTE:** Refer to the illustration that most closely matches your computer.




Component	Description
(1)  Power button	<ul style="list-style-type: none"><li>• When the computer is off, press the button to turn on the computer.</li><li>• When the computer is on, press the button briefly to initiate Sleep.</li><li>• When the computer is in the Sleep state, press the button briefly to exit Sleep.</li><li>• When the computer is in Hibernation, press the button briefly to exit Hibernation.</li></ul> <p><b>CAUTION:</b> Pressing and holding down the power button will result in the loss of unsaved information.</p> <p>If the computer has stopped responding and Windows® shutdown procedures are ineffective, press and hold the power button for at least 5 seconds to turn off the computer.</p> <p>To learn more about your power settings in Windows 8.1 , see your power options. From the Start screen, type <code>power</code>, select <b>Power and sleep settings</b>, and then select <b>Power and sleep</b> from the list of applications.</p> <p>To learn more about your power settings in Windows 7, select <b>Start &gt; Control Panel &gt; System and Security &gt; Power Options</b>.</p>
(2) Speakers (2)	Produce sound.

Component	Description
(3)  Wireless button	Turns the wireless feature on or off but does not establish a wireless connection.
(4)  Speaker mute button	Mutes and restores speaker sound.
(5) Fingerprint reader (select models only)	Allows a fingerprint logon to Windows, instead of a password logon.


## Keys

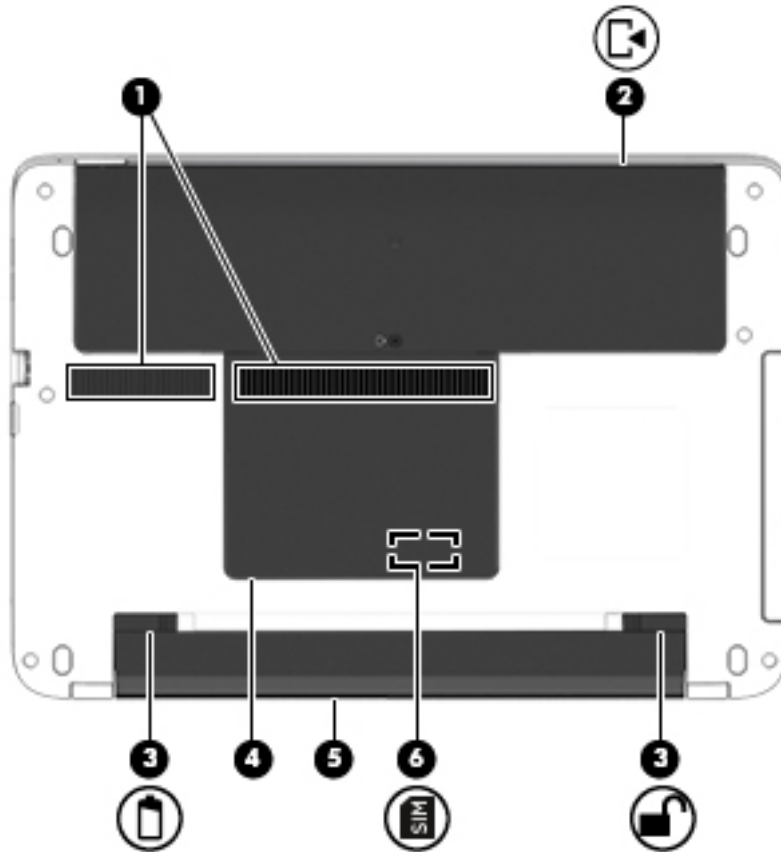





Component	Description
(1) <code>esc</code> key	Displays system information when pressed in combination with the <code>fn</code> key.
(2) <code>fn</code> key	Executes frequently used system functions when pressed in combination with a function key, the <code>num lk</code> key, or the <code>esc</code> key.
(3)  Windows key	Windows 8.1 : Returns you to the Start screen from an open app or the Windows desktop.  <b>NOTE:</b> Pressing the Windows key again will return you to the previous screen.  Windows 7: Displays the Windows Start menu.
(4) Function keys	Execute frequently used system functions when pressed in combination with the <code>fn</code> key.
(5) <code>num lk</code> key	Alternates between the navigational and numeric functions on the integrated numeric keypad.
(6) Integrated numeric keypad	When <code>num lk</code> has been enabled, it can be used like an external numeric keypad.




# Bottom

 **NOTE:** Refer to the illustration that most closely matches your computer.




Component	Description
(1) Vents (2)	Enable airflow to cool internal components.  <b>NOTE:</b> The computer fan starts up automatically to cool internal components and prevent overheating. It is normal for the internal fan to cycle on and off during routine operation.
(2)  Service door	Provides access to the hard drive bay and the memory module slots.
(3)  Battery release latch	Releases the battery.
(3)  Battery lock latch	Locks the battery in the battery bay.
(4) Service door	Provides access to the wireless LAN (WLAN) module slot, the WWAN module slot, and SIM slot.

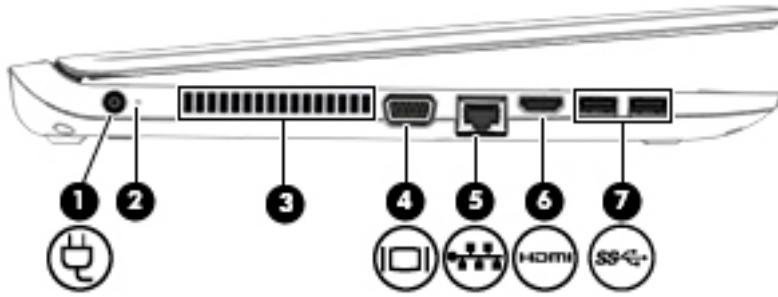
Component	Description
	<p><b>CAUTION:</b> To prevent an unresponsive system, replace the wireless module only with a wireless module authorized for use in the computer by the governmental agency that regulates wireless devices in your country or region. If you replace the module and then receive a warning message, remove the module to restore computer functionality, and then contact support through HP Support Assistant. To access HP Support Assistant in Windows 8.1, from the Start screen, select the <b>HP Support Assistant</b> app. To access Help and Support in Windows 7, select <b>Start &gt; Help and Support</b>.</p>
(5)	Battery bay Holds the battery.
(6)	 SIM slot Supports a wireless subscriber identity module (SIM). The SIM slot is located under the service door.






## Front



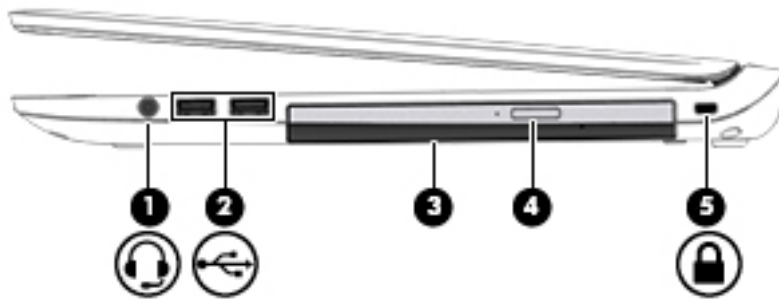
Component	Description
(1)	 Hard drive light <ul style="list-style-type: none"> <li>Blinking white: The hard drive is being accessed.</li> <li>Amber: HP 3D DriveGuard has temporarily parked the hard drive.</li> </ul>
(2)	Memory card reader Reads optional memory cards that store, manage, share, or access information.




# Left



Component	Description
(1) 	Connects an AC adapter.
(2) AC adapter/Battery light	<ul style="list-style-type: none"> <li>White: The computer is connected to external power and the battery is charged from 90 to 99 percent.</li> <li>Amber: The computer is connected to external power and the battery is charged from 0 to 89 percent.</li> <li>Off: The battery is fully charged.</li> </ul>
(3) Vent	Enables airflow to cool internal components.  <b>NOTE:</b> The computer fan starts up automatically to cool internal components and prevent overheating. It is normal for the internal fan to cycle on and off during routine operation.
(4) 	Connects an external VGA monitor or projector.
(5) 	Connects a network cable.  <ul style="list-style-type: none"> <li>Green (right): The network is connected.</li> <li>Amber (left): Activity is occurring on the network.</li> </ul>
(6) 	Connects an optional video or audio device, such as a high-definition television, any compatible digital or audio component, or a high-speed HDMI device.
(7) 	Each USB 3.0 port connects an optional USB device, such as a keyboard, mouse, external drive, printer, scanner or USB hub.

## Right



Component	Description
(1)  Audio-out (headphone)/Audio-in (microphone) jack	<p>Connects optional powered stereo speakers, headphones, earbuds, or a headset. Also connects an optional headset microphone. This jack does not support optional microphone-only devices.</p> <p><b>WARNING!</b> To reduce the risk of personal injury, adjust the volume before putting on headphones, earbuds, or a headset. For additional safety information, see the <i>Regulatory, Safety, and Environmental Notices</i>. To access this guide in Windows 8.1, from the Start screen, type <code>support</code>, and then select the <b>HP Support Assistant</b> app. To access the user guides in Windows 7, select <b>Start &gt; Help and Support &gt; User Guides</b>.</p> <p><b>NOTE:</b> When a device is connected to the jack, the computer speakers are disabled.</p> <p><b>NOTE:</b> Be sure that the device cable has a 4-conductor connector that supports both audio-out (headphone) and audio-in (microphone).</p>
(2)  USB 2.0 ports (2)	<p>Connects an optional USB device, such as a keyboard, mouse, external drive, printer, scanner or USB hub.</p>
(3) Optical drive (select models only)	<p>Depending on your computer model, reads an optical disc or reads and writes to an optical disc.</p>
(4) Optical drive eject button (select models only)	<p>Releases the optical drive disc tray.</p>
(5)  Security cable slot	<p>Attaches an optional security cable to the computer.</p> <p><b>NOTE:</b> The security cable is designed to act as a deterrent, but it may not prevent the computer from being mishandled or stolen.</p>

# Service tag and PCID label

## Service tag


When ordering parts or requesting information, provide the computer serial number and model description provided on the service tag.



- Product name **(1)**. This is the product name affixed to the front of the computer.
- Serial number (s/n) **(2)**. This is an alphanumeric identifier that is unique to each product.
- Part number/Product number (p/n) **(3)**. This number provides specific information about the product's hardware components. The part number helps a service technician to determine what components and parts are needed.
- Warranty period **(4)**. This number describes the duration (in years) of the warranty period for the computer.
- Model description (select models only) **(5)**. This is the alphanumeric identifier used to locate documents, drivers, and support for the computer.

## PCID label

The PCID label provides the information required to properly reset the notebook firmware (BIOS) back to factory shipped specifications when replacing the system board. The label may have a different number of characters depending on the operating system on the computer.

 **NOTE:** Computer details may vary from images.

---

### Windows 8.1 models





### Non-Windows 8.1 models



---

## 3 Illustrated parts catalog

### Computer major components

- 
-  **NOTE:** HP continually improves and changes product parts. For complete and current information on supported parts for your computer, go to <http://partsurfer.hp.com>, select your country or region, and then follow the on-screen instructions.
  -  **NOTE:** Details about your computer, including model, serial number, product key, and length of warranty, are on the service tag at the bottom of your computer. See [Service tag and PCID label on page 17](#) for details.



Item	Description	Spare part number
(1)	<b>Display panel, 39.6-cm (15.6-inch), HD, anti-glare, touch screen</b>	not spared
	Includes one WLAN antenna	782121-001
	Includes two WLAN antennas	782122-001
(2)	<b>Keyboard (includes cable)</b>	
	<b>NOTE:</b> For a detailed list of available keyboards, see <a href="#">Sequential part number listing on page 29</a> .	



Item	Description	Spare part number
	Backlit	768130-xxx
	No backlight	768787-xx1
<b>(3)</b>	<b>Top cover</b> (includes touchpad assembly)	768139-001
<b>(4)</b>	<b>Touchpad button board</b>	768140-001
<b>(5)</b>	<b>Power button board assembly</b>	767442-001
<b>(6)</b>	<b>Card reader board</b>	
	For use in HP 450 models	768133-001
	For use in HP 455 models	780894-001
<b>(7)</b>	<b>Function board</b>	768131-001
<b>(8)</b>	<b>Fingerprint reader assembly</b> (includes cable, bracket, and bezel)	768128-001
<b>(9)</b>	<b>System board</b> (includes replacement thermal material)	
	Intel i7-4510U processor; 2-GB discrete graphics memory	
	<ul style="list-style-type: none"> <li>Without Windows 8.1</li> </ul>	768145-001
	<ul style="list-style-type: none"> <li>Windows 8.1 Professional</li> </ul>	768145-501
	<ul style="list-style-type: none"> <li>Windows 8.1 Standard</li> </ul>	768145-601
	Intel i7-4510U processor; UMA graphics memory; non-WWAN models	
	<ul style="list-style-type: none"> <li>Without Windows 8.1</li> </ul>	768148-001
	<ul style="list-style-type: none"> <li>Windows 8.1 Professional</li> </ul>	768148-501
	<ul style="list-style-type: none"> <li>Windows 8.1 Standard</li> </ul>	768148-601
	Intel i7-4510U processor; UMA graphics memory, WWAN models	
	<ul style="list-style-type: none"> <li>Without Windows 8.1</li> </ul>	784653-001
	<ul style="list-style-type: none"> <li>Windows 8.1 Professional</li> </ul>	784653-501
	<ul style="list-style-type: none"> <li>Windows 8.1 Standard</li> </ul>	784653-601
	Intel i5-4210U processor; 2-GB discrete graphics memory	
	<ul style="list-style-type: none"> <li>Without Windows 8.1</li> </ul>	768143-001
	<ul style="list-style-type: none"> <li>Windows 8.1 Professional</li> </ul>	768143-501
	<ul style="list-style-type: none"> <li>Windows 8.1 Standard</li> </ul>	768143-601
	Intel i5-4210U processor; 1-GB discrete graphics memory	
	<ul style="list-style-type: none"> <li>Without Windows 8.1</li> </ul>	768142-001
	<ul style="list-style-type: none"> <li>Windows 8.1 Professional</li> </ul>	768142-501
	<ul style="list-style-type: none"> <li>Windows 8.1 Standard</li> </ul>	768142-601
	Intel i5-4210U processor; UMA graphics memory; WWAN models	
	<ul style="list-style-type: none"> <li>Without Windows 8.1</li> </ul>	784652-001
	<ul style="list-style-type: none"> <li>Windows 8.1 Professional</li> </ul>	784652-501

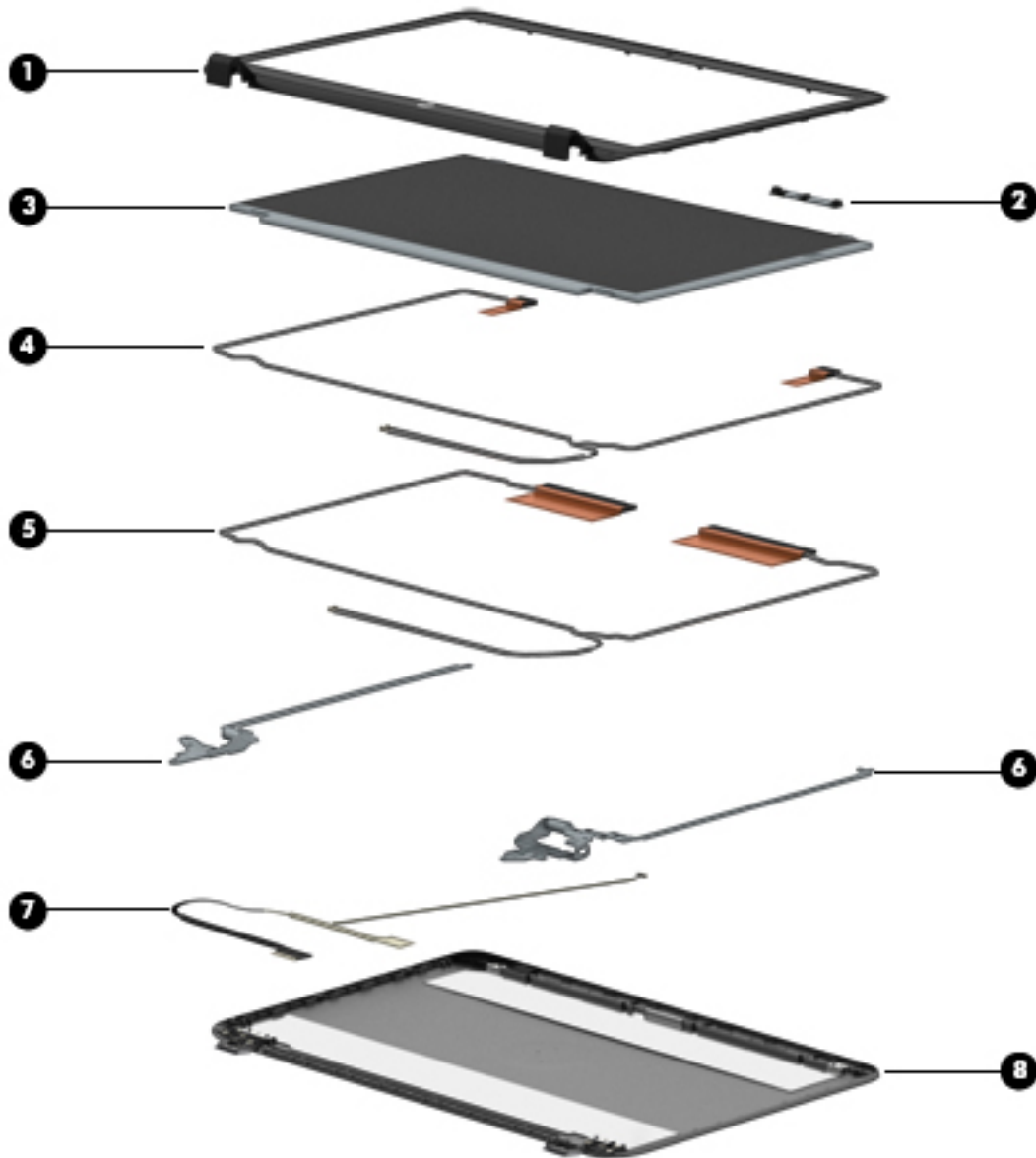
<b>Item</b>	<b>Description</b>	<b>Spare part number</b>
	<ul style="list-style-type: none"> <li>Windows 8.1 Standard</li> </ul>	784652-601
	Intel i3-4030U processor; 2-GB discrete graphics memory	
	<ul style="list-style-type: none"> <li>Without Windows 8.1</li> </ul>	782950-001
	<ul style="list-style-type: none"> <li>Windows 8.1 Professional</li> </ul>	782950-501
	<ul style="list-style-type: none"> <li>Windows 8.1 Standard</li> </ul>	782950-601
	Intel i3-4030U processor; UMA graphics memory	
	<ul style="list-style-type: none"> <li>Without Windows 8.1</li> </ul>	782952-001
	<ul style="list-style-type: none"> <li>Windows 8.1 Professional</li> </ul>	782952-501
	<ul style="list-style-type: none"> <li>Windows 8.1 Standard</li> </ul>	782952-601
	Intel i3-4005U processor; UMA graphics memory	
	<ul style="list-style-type: none"> <li>Without Windows 8.1</li> </ul>	782951-001
	<ul style="list-style-type: none"> <li>Windows 8.1 Professional</li> </ul>	782951-501
	<ul style="list-style-type: none"> <li>Windows 8.1 Standard</li> </ul>	782951-601
	Intel i5-4210U processor; UMA graphics memory	
	<ul style="list-style-type: none"> <li>Without Windows</li> </ul>	768146-001
	<ul style="list-style-type: none"> <li>Windows 8.1 Professional</li> </ul>	768146-501
	<ul style="list-style-type: none"> <li>Windows 8.1 Standard</li> </ul>	768146-601
	Intel Pentium 3558U processor; UMA graphics memory	
	<ul style="list-style-type: none"> <li>Without Windows 8.1</li> </ul>	768150-001
	<ul style="list-style-type: none"> <li>Windows 8.1 Professional</li> </ul>	768150-501
	<ul style="list-style-type: none"> <li>Windows 8.1 Standard</li> </ul>	768150-601
	AMD FX-7500 processor; 1 GB discrete graphics memory	
	<ul style="list-style-type: none"> <li>Without Windows 8.1</li> </ul>	773080-001
	<ul style="list-style-type: none"> <li>Windows 8.1 Professional</li> </ul>	773080-501
	<ul style="list-style-type: none"> <li>Windows 8.1 Standard</li> </ul>	773080-601
	AMD A10-7300 processor; 2 GB discrete graphics memory	
	<ul style="list-style-type: none"> <li>Without Windows 8.1</li> </ul>	773079-001
	<ul style="list-style-type: none"> <li>Windows 8.1 Professional</li> </ul>	773079-501
	<ul style="list-style-type: none"> <li>Windows 8.1 Standard</li> </ul>	773079-601
	AMD A8-7100 processor; 2 GB discrete graphics memory	
	<ul style="list-style-type: none"> <li>Without Windows 8.1</li> </ul>	773078-001
	<ul style="list-style-type: none"> <li>Windows 8.1 Professional</li> </ul>	773078-501
	<ul style="list-style-type: none"> <li>Windows 8.1 Standard</li> </ul>	773078-601
	AMD A6-7000B processor; 2 GB discrete graphics memory	

Item	Description	Spare part number
	<ul style="list-style-type: none"> <li>Without Windows 8.1</li> </ul>	773077-001
	<ul style="list-style-type: none"> <li>Windows 8.1 Professional</li> </ul>	773077-501
	<ul style="list-style-type: none"> <li>Windows 8.1 Standard</li> </ul>	773077-601
	AMD A10-7300 processor; UMA graphics memory	
	<ul style="list-style-type: none"> <li>Without Windows 8.1</li> </ul>	773075-001
	<ul style="list-style-type: none"> <li>Windows 8.1 Professional</li> </ul>	773075-501
	<ul style="list-style-type: none"> <li>Windows 8.1 Standard</li> </ul>	773075-601
	AMD A8-7100 processor; UMA graphics memory	
	<ul style="list-style-type: none"> <li>Without Windows 8.1</li> </ul>	773074-001
	<ul style="list-style-type: none"> <li>Windows 8.1 Professional</li> </ul>	773074-501
	<ul style="list-style-type: none"> <li>Windows 8.1 Standard</li> </ul>	773074-601
	AMD A6-7050B processor; UMA graphics memory	
	<ul style="list-style-type: none"> <li>Without Windows 8.1</li> </ul>	773073-001
	<ul style="list-style-type: none"> <li>Windows 8.1 Professional</li> </ul>	773073-501
	<ul style="list-style-type: none"> <li>Windows 8.1 Standard</li> </ul>	773073-601
<b>(10)</b>	<b>USB/audio board</b>	768132-001
<b>(11)</b>	<b>Memory modules (PC3L-12800, 1600-MHz, DDR3L)</b>	
	8-GB	693374-001
	4-GB	691740-001
	2-GB	691739-001
<b>(12)</b>	<b>Optical drive extension board</b>	not spared
<b>(13)</b>	<b>WWAN module</b>	
	HP lt4112 LTE/HSPA+ Gobi 4G Module	740011-001
	HP hs3110 HSPA+ Mobile Broadband Module	748599-001
<b>(14)</b>	<b>RTC battery</b>	738824-001
<b>(15)</b>	<b>WLAN module</b>	
	Atheros AR9485 802.11b/g/n 1x1 WiFi Adapter	675794-001
	Realtek RTL8188EE 802.11bgn Wi-Fi Adapter	709848-001
	Intel Dual Band Wireless-AC 3160 802.11 ac 1x1 WiFi + BT 4.0 combo adapter	710662-001
	Broadcom BCM943228HMB 802.11abgn 2x2 Wi-Fi Adapter + Broadcom Bluetooth 4.0 Adapter	730668-001
	Broadcom BCM43142 802.11 bgn 1x1 Wi-Fi + BT4.0 HMC combo adapter	753076-001
	Realtek RT8723BE 802.11 bgn 1x1 Wi-Fi + BT4.0 combo adapter	753077-001
	Intel Dual Band Wireless-AC 7260 802.11 ac 2x2 WiFi + Intel Dual Band Wireless-AC 7260 BT 4.0 combo adapter	756753-001
	<b>Heat sink assembly</b> (includes replacement thermal material)	

<b>Item</b>	<b>Description</b>	<b>Spare part number</b>
<b>(16)</b>	For use in HP 450 (Intel) models with discrete graphics and all processors except for the Intel i7-4558U	768050-001
	For use in HP 450 (Intel) models with discrete graphics and an Intel i7-4558U processor	768049-001
<b>(17)</b>	For use in HP 450 (Intel) models with UMA graphics	768048-001
	For use in HP 455 models (AMD) with UMA graphics	767435-001
	For use in HP 455 models (AMD) with discrete graphics	767434-001
<b>(18)</b>	<b>Power connector and cable</b>	767432-001
<b>(19)</b>	<b>Fan</b>	767433-001
<b>(20)</b>	<b>Speaker assembly</b>	768138-001
<b>(21)</b>	<b>Battery, Li-ion</b>	
	4-cell, 44 WHr, 3.0 Ah	756744-001
	4-cell, 40 WHr, 3.0 Ah	756746-001
<b>(22)</b>	<b>Base enclosure</b>	768124-001
	<b>Service doors</b> , includes:	768134-001
<b>(23)</b>	Small service door	
<b>(24)</b>	Large service door	
<b>(25)</b>	<b>Hard drive</b>	
	1.5-TB, 5400-rpm, 9.5 mm	747375-001
	1-TB, 5400-rpm	676521-001
	750-GB, 5400-rpm,	778190-001
	750-GB, 7200-rpm (HP 450 model only)	778191-001
	500-GB, 7200-rpm	778189-001
	500-GB, 5400-rpm	683802-001
	500-GB, 5400-rpm, 7 mm, hybrid (8-GB SSD)	732000-001
	320-GB, 5400-rpm	645088-001
	128-GB Solid-state drive for use in HP 450 models	778175-001
	128-GB Solid-state drive for use in HP 455 models	773069-001
	120-GB Solid-state drive, M.2, for use in HP 450 models	768469-001
<b>(26)</b>	<b>Optical drive</b> (includes bracket, bezel, and screws)	
	HP 450 models:	
	<ul style="list-style-type: none"> <li>Blu-ray ROM DVD±RW SuperMulti DL Drive</li> </ul>	768472-001
	<ul style="list-style-type: none"> <li>DVD±RW SuperMulti DL Drive</li> </ul>	768471-001
	<ul style="list-style-type: none"> <li>DVD-ROM drive</li> </ul>	768470-001
	HP 455 models:	

Item	Description	Spare part number
	<ul style="list-style-type: none"> <li>DVD±RW SuperMulti DL Drive</li> </ul>	773071-001
	<ul style="list-style-type: none"> <li>DVD-ROM drive</li> </ul>	773070-001

## Display components



Item	Description	Spare part number
<b>(1)</b>	<b>Display bezel</b>	
	For use in models with a webcam	768125-001
	For use in models without a webcam	768126-001
<b>(2)</b>	<b>Webcam module</b>	767457-001

Item	Description	Spare part number
	<b>Microphone module</b>	773563-001
<b>(3)</b>	<b>Display panel (raw)</b>	
	Flat, HD, for use in HP 450 models	768135-001
	Slim, FHD, for use in HP 450 models	768468-001
	Flat, HD, for use in HP 455 models	773072-001
<b>(4)</b>	<b>WLAN antennas</b>	not spared separately
	Included in Display Rear Cover kit, 768123-001	
<b>(5)</b>	<b>WWAN antennas</b>	not spared separately
	Included in Display Rear Cover kit, 768123-001	
<b>(6)</b>	<b>Display Hinge Kit</b> (includes left and right hinges)	768129-001
<b>(7)</b>	<b>Display/webcam cable assembly</b>	768127-001 (in Cable Kit)
<b>(8)</b>	<b>Display rear cover</b> (includes wireless antennas)	768123-001

## Cable Kit



Item	Description	Spare part number
	<b>Cable Kit</b>	768127-001
<b>(1)</b>	Battery connector cable	
<b>(2)</b>	Display/webcam cable	
<b>(3)</b>	Display/webcam cable, EDP	

## Mass storage devices

Description	Spare part number
<b>Hard drives</b>	
1.5-TB, 5400-rpm, 9.5 mm	747375-001
1-TB, 5400-rpm	676521-001
750-GB, 7200-rpm (HP 450 model only)	778190-001
750-GB, 5400-rpm	778191-001
500-GB, 7200-rpm	778189-001
500-GB, 5400-rpm	683802-001
500-GB, 5400-rpm, 7 mm, hybrid (8-GB SSD)	732000-001
320-GB, 5400-rpm	645088-001
128-GB Solid-state drive for use in HP 450 models	778175-001
128-GB Solid-state drive for use in HP 455 models	773069-001
120-GB Solid-state drive, M.2, for use in HP 450 models	768469-001
<b>Hard Drive Hardware Kit</b> (includes hard drive bracket and screws; not illustrated)	767437-001
<b>Optical drives</b> (include bezel, bracket, and screws)	
For use in HP 450 models	
<ul style="list-style-type: none"> <li>Blu-ray ROM DVD±RW SuperMulti DL Drive</li> </ul>	768472-001
<ul style="list-style-type: none"> <li>DVD±RW SuperMulti DL Drive</li> </ul>	768471-001
<ul style="list-style-type: none"> <li>DVD-ROM drive</li> </ul>	768470-001
For use in HP 455 models	
<ul style="list-style-type: none"> <li>DVD±RW SuperMulti DL Drive</li> </ul>	773071-001
<ul style="list-style-type: none"> <li>DVD-ROM drive</li> </ul>	773070-001

## Miscellaneous parts

Description	Spare part number
<b>AC adapters</b>	
65-W AC adapter	693711-001
65-W AC adapter for use in India	693710-001
45-W AC adapter, 2-prong	742437-001
45-W AC adapter, non-slim	744893-001
<b>Power cords, 1.83 m, 3-pin:</b>	
For use in Argentina	490371-D01
For use in Australia	490371-011

<b>Description</b>	<b>Spare part number</b>
For use in Denmark	490371-081
For use in Europe, the Middle East, and Africa	490371-021
For use in India	490371-D61
For use in Israel	490371-BB1
For use in Italy	490371-061
For use in Japan	490371-291
For use in the People's Republic of China	490371-AA1
For use in South Africa	490371-AR1
For use in Switzerland	490371-111
For use in Taiwan	490371-AB1
For use in Thailand	490371-201
For use in the United Kingdom	490371-031
For use in the United States	490371-001
<b>Power cords, 1.0 m, 3-pin:</b>	
For use in Argentina	755530-D01
For use in Australia	755530-011
For use in Denmark	755530-081
For use in Europe, the Middle East, and Africa	755530-021
For use in India	755530-D61
For use in Israel	755530-BB1
For use in Italy	755530-061
For use in Japan	755530-291
For use in the People's Republic of China	755530-AA1
For use in South Africa	755530-AR1
For use in Switzerland	755530-111
For use in Taiwan	755530-AB1
For use in Thailand	755530-201
For use in the United Kingdom	755530-031
For use in the United States	755530-001
<b>Power cords, 1.0 m, 2-pin:</b>	
For use in Japan	762689-291
<b>Power cords, 1.8 m, 2-pin:</b>	
For use in Japan	753361-001
<b>Mouse</b>	



Description	Spare part number
USB, laser	674318-001
USB, optical, travel	434594-001
<b>Case</b>	
Top load	679921-001
Messenger	679922-001
Backpack	679923-001
<b>Expansion base, USB 3.0 port replicator</b>	690650-001
<b>Rubber Kit</b> (includes rubber base enclosure screw covers and mylar display bezel screw covers)	768136-001
<b>Screw Kit</b>	768137-001

## Sequential part number listing

CSR flag designations:

A = Mandatory

B = Optional

C = Service technician recommended

N = Non-user replaceable

Spare part number	CSR flag	Description
434594-001	A	Mouse, USB, optical travel
490371-001	A	Power cord (1.83 m, 3-pin) for use in North America
490371-011	A	Power cord (1.83 m, 3-pin) for use in Australia
490371-021	A	Power cord (1.83 m, 3-pin) for use in Europe, the Middle East, and Africa
490371-031	A	Power cord (1.83 m, 3-pin) for use in the United Kingdom
490371-061	A	Power cord (1.83 m, 3-pin) for use in Italy
490371-081	A	Power cord (1.83 m, 3-pin) for use in Denmark
490371-111	A	Power cord (1.83 m, 3-pin) for use in Switzerland
490371-201	A	Power cord (1.83 m, 3-pin) for use in Thailand
490371-AA1	A	Power cord (1.83 m, 3-pin) for use in the People's Republic of China
490371-AB1	A	Power cord (1.83 m, 3-pin) for use in Taiwan
490371-AR1	A	Power cord (1.83 m, 3-pin) for use in South Africa
490371-BB1	A	Power cord (1.83 m, 3-pin) for use in Israel
490371-D01	A	Power cord (1.83 m, 3-pin) for use in Argentina
490371-D61	A	Power cord (1.83 m, 3-pin) for use in India

<b>Spare part number</b>	<b>CSR flag</b>	<b>Description</b>
490371-291	A	Power cord (1.83 m, 3-pin) for use in Japan
645088-001	A	320-GB, 5400-rpm hard drive
674318-001	A	Mouse, USB, laser
675794-001	A	Atheros AR9485 802.11b/g/n 1x1 WiFi Adapter
676521-001	A	1-TB, 5400-rpm hard drive
679921-001	A	Case, top load
679922-001	A	Case, messenger
679923-001	A	Case, backpack
683802-001	A	500-GB, 5400-rpm hard drive
690650-001	A	Expansion base, USB 3.0 port replicator
691739-001	A	2-GB memory module (PC3L-12800, 1600-MHz, DDR3L)
691740-001	A	4-GB memory module (PC3L-12800, 1600-MHz, DDR3L)
693374-001	A	8-GB memory module (PC3L-12800, 1600-MHz, DDR3L)
693710-001	A	65-W AC adapter for use in India
693711-001	A	65-W AC adapter
709848-001	A	Realtek RTL8188EE 802.11bgn Wi-Fi Adapter
710662-001	A	Intel Dual Band Wireless-AC 3160 802.11 ac 1x1 Wi-Fi + BT 4.0 combo adapter
730668-001	A	Broadcom BCM943228HMB 802.11abgn 2x2 Wi-Fi Adapter + Broadcom Bluetooth 4.0 Adapter
732000-001	A	500-GB, 5400-rpm, 7 mm, hybrid (8-GB SSD) hard drive
738824-001	C	RTC battery
740011-001	B	HP lt4112 LTE/HSPA+ Gobi 4G Module (WWAN module)
742437-001	A	45-W AC adapter, 2-prong
744893-001	A	45-W AC adapter, non-slim
747375-001	A	1.5-TB, 5400-rpm, 9.5 mm, hard drive
748599-001	B	HP hs3110 HSPA+ Mobile Broadband Module
753076-001	A	Broadcom BCM43142 802.11b/g/n, 1x1 Wi-Fi + BT4.0 HMC combo adapter
753077-001	A	Realtek RT8723BE 802.11 bgn 1x1 Wi-Fi + BT4.0 combo adapter
753361-001	A	Power cord (1.8 m, 2-pin) for use in Japan
755530-001	A	Power cord (1.0 m, 3-pin) for use in North America
755530-011	A	Power cord (1.0 m, 3-pin) for use in Australia
755530-021	A	Power cord (1.0 m, 3-pin) for use in Europe, the Middle East, and Africa
755530-031	A	Power cord (1.0 m, 3-pin) for use in the United Kingdom
755530-061	A	Power cord (1.0 m, 3-pin) for use in Italy
755530-081	A	Power cord (1.0 m, 3-pin) for use in Denmark

<b>Spare part number</b>	<b>CSR flag</b>	<b>Description</b>
755530-111	A	Power cord (1.0 m, 3-pin) for use in Switzerland
755530-201	A	Power cord (1.0 m, 3-pin) for use in Thailand
755530-AA1	A	Power cord (1.0 m, 3-pin) for use in the People's Republic of China
755530-AB1	A	Power cord (1.0 m, 3-pin) for use in Taiwan
755530-AR1	A	Power cord (1.0 m, 3-pin) for use in South Africa
755530-BB1	A	Power cord (1.0 m, 3-pin) for use in Israel
755530-D01	A	Power cord (1.0 m, 3-pin) for use in Argentina
755530-D61	A	Power cord (1.0 m, 3-pin) for use in India
755530-291	A	Power cord (1.0 m, 3-pin) for use in Japan
756744-001	A	4-cell, 44 WHr, 3.0 Ah Li-ion battery
756746-001	A	4-cell, 40 WHr, 3.0 Ah Li-ion battery
756753-001	A	Intel Dual Band Wireless-AC 7260 802.11 ac 2x2 WiFi + Intel Dual Band Wireless-AC 7260 BT 4.0 combo adapter
762689-291	A	Power cord (1.0 m, 2-pin) for use in Japan
767432-001	C	Power connector and cable
767433-001	C	Fan
767434-001	C	Heat sink for use in HP 455 (AMD) models with discrete graphics
767435-001	C	Heat sink for use in HP 455 (AMD) models with UMA graphics
767437-001	B	Hard Drive Hardware Kit (includes bracket and screws)
767442-001	C	Power button board
767457-001	C	Webcam module
768048-001	C	Heat sink assembly for use in HP 450 (Intel) models with UMA graphics (includes replacement thermal material)
768049-001	C	Heat sink assembly for use in HP 450 (Intel) models with discrete graphics and an Intel i7-4558U processor
768050-001	C	Heat sink assembly for use in HP 450 models with discrete graphics and all processors except for the Intel i7-4558U (includes replacement thermal material)
768123-001	C	Display rear cover (includes wireless antennas)
768124-001	N	Base enclosure
768125-001	C	Display bezel for use in models with a webcam
768126-001	C	Display bezel for use in models without a webcam
768127-001	C	Cable Kit (see <a href="#">Cable Kit on page 26</a> for more Cable Kit spare part information)
768128-001	C	Fingerprint reader assembly (includes cable, bracket, and bezel)
768129-001	C	Display Hinge Kit (includes left and right hinges)
768130-001	A	Keyboard, backlit, for use in the United States

<b>Spare part number</b>	<b>CSR flag</b>	<b>Description</b>
768130-031	A	Keyboard, backlit, for use in the United Kingdom
768130-041	A	Keyboard, backlit, for use in Germany
768130-051	A	Keyboard, backlit, for use in France
768130-061	A	Keyboard, backlit, for use in Italy
768130-071	A	Keyboard, backlit, for use in Spain
768130-081	A	Keyboard, backlit, for use in Denmark
768130-091	A	Keyboard, backlit, for use in Norway
768130-131	A	Keyboard, backlit, for use in Portugal
768130-141	A	Keyboard, backlit, for use in Turkey
768130-151	A	Keyboard, backlit, for use in Greece
768130-161	A	Keyboard, backlit, for use in Latin America
768130-171	A	Keyboard, backlit, for use in Saudi Arabia
768130-211	A	Keyboard, backlit, for use in Hungary
768130-251	A	Keyboard, backlit, for use in Russia
768130-261	A	Keyboard, backlit, for use in Bulgaria
768130-271	A	Keyboard, backlit, for use in Romania
768130-281	A	Keyboard, backlit, for use in Thailand
768130-291	A	Keyboard, backlit, for use in Japan
768130-A41	A	Keyboard, backlit, for use in Belgium
768130-AB1	A	Keyboard, backlit, for use in Taiwan
768130-AD1	A	Keyboard, backlit, for use in South Korea
768130-B31	A	Keyboard, backlit, for use in the Netherlands and Europe
768130-B71	A	Keyboard, backlit, for use in Sweden and Finland
768130-BA1	A	Keyboard, backlit, for use in Slovenia
768130-BB1	A	Keyboard, backlit, for use in Israel
768130-BG1	A	Keyboard, backlit, for use in Switzerland
768130-D61	A	Keyboard, backlit, for use in India
768130-DB1	A	Keyboard, backlit, for use in Canada (English)
768130-DD1	A	Keyboard, backlit, for use in Iceland
768130-DH1	A	Keyboard, backlit, for use in the Netherlands
768130-FL1	A	Keyboard, backlit, for use in the Czech Republic and Slovakia
768130-FP1	A	Keyboard, backlit, for use in northern Africa
768131-001	C	Function board
768132-001	C	USB/audio board

Spare part number	CSR flag	Description
768133-001	C	Card reader board for use in HP 450 models
768134-001	A	<b>Service doors (includes large and small service door)</b>
768135-001	C	Display panel (raw), flat, HD, for use in HP 450 models
768136-001	A	Rubber Kit (includes rubber base enclosure screw covers and mylar display bezel screw covers)
768137-001	N	Screw Kit
768138-001	B	Speaker assembly
768139-001	B	Top cover (includes touchpad)
768140-001	C	Touchpad button board
768142-001	N	System board Without Windows 8.1; Intel i5-4210U processor; 1-GB discrete graphics memory
768142-501	N	System board with Windows 8.1 Professional; Intel i5-4210U processor; 1-GB discrete graphics memory
768142-601	N	System board with Windows 8.1 Standard; Intel i5-4210U processor; 1-GB discrete graphics memory
768143-001	N	System board Without Windows 8.1; Intel i5-4210U processor; 2-GB discrete graphics memory
768143-501	N	System board with Windows 8.1 Professional; Intel i5-4210U processor; 2-GB discrete graphics memory
768143-601	N	System board with Windows 8.1 Standard; Intel i5-4210U processor; 2-GB discrete graphics memory
768145-001	N	System board Without Windows 8.1; Intel i7-4510U processor; 2-GB discrete graphics memory
768145-501	N	System board with Windows 8.1 Professional; Intel i7-4510U processor; 2-GB discrete graphics memory
768145-601	N	System board with Windows 8.1 Standard; Intel i7-4510U processor; 2-GB discrete graphics memory
768146-001	N	System board Without Windows 8.1; Intel i5-4210U processor; UMA graphics memory; non-WWAN models
768146-501	N	System board with Windows 8.1 Professional; Intel i5-4210U processor; UMA graphics memory; non-WWAN models
768146-601	N	System board with Windows 8.1 Standard; Intel i5-4210U processor; UMA graphics memory; non-WWAN models
768148-001	N	System board Without Windows 8.1; Intel i7-4510U processor; UMA graphics memory; non-WWAN models
768148-501	N	System board with Windows 8.1 Professional; Intel i7-4510U processor; UMA graphics memory; non-WWAN models
768148-601	N	System board with Windows 8.1 Standard; Intel i7-4510U processor; UMA graphics memory; non-WWAN models
768150-001	N	System board Without Windows 8.1; Intel Pentium 3558U processor; UMA graphics memory
768150-501	N	System board with Windows 8.1 Professional; Intel Pentium 3558U processor; UMA graphics memory
768150-601	N	System board with Windows 8.1 Standard; Intel Pentium 3558U processor; UMA graphics memory
768468-001	C	Display panel (raw), slim, FHD, for use in HP 450 models
768469-001	A	120-GB Solid-state drive, M.2, for use in HP 450 models
768470-001	A	DVD-ROM drive for use in HP 450 models (includes bezel, bracket, and screws)

<b>Spare part number</b>	<b>CSR flag</b>	<b>Description</b>
768471-001	A	DVD±RW SuperMulti DL Drive for use in HP 450 models (includes bezel, bracket, and screws)
768472-001	A	Blu-ray ROM DVD±RW SuperMulti DL Drive for use in HP 450 models (includes bezel, bracket, and screws)
768787-001	A	Keyboard, no backlight, for use only in HP 450 models in the United States
768787-031	A	Keyboard, no backlight, for use only in HP 450 models in the United Kingdom
768787-041	A	Keyboard, no backlight, for use only in HP 450 models in Germany
768787-051	A	Keyboard, no backlight, for use only in HP 450 models in France
768787-061	A	Keyboard, no backlight, for use only in HP 450 models in Italy
768787-071	A	Keyboard, no backlight, for use only in HP 450 models in Spain
768787-081	A	Keyboard, no backlight, for use only in HP 450 models in Denmark
768787-091	A	Keyboard, no backlight, for use only in HP 450 models in Norway
768787-131	A	Keyboard, no backlight, for use only in HP 450 models in Portugal
768787-141	A	Keyboard, no backlight, for use only in HP 450 models in Turkey
768787-151	A	Keyboard, no backlight, for use only in HP 450 models in Greece
768787-161	A	Keyboard, no backlight, for use only in HP 450 models in Latin America
768787-171	A	Keyboard, no backlight, for use only in HP 450 models in Saudi Arabia
768787-211	A	Keyboard, no backlight, for use only in HP 450 models in Hungary
768787-251	A	Keyboard, no backlight, for use only in HP 450 models in Russia
768787-261	A	Keyboard, no backlight, for use only in HP 450 models in Bulgaria
768787-271	A	Keyboard, no backlight, for use only in HP 450 models in Romania
768787-281	A	Keyboard, no backlight, for use only in HP 450 models in Thailand
768787-291	A	Keyboard, no backlight, for use only in HP 450 models in Japan
768787-A41	A	Keyboard, no backlight, for use only in HP 450 models in Belgium
768787-AB1	A	Keyboard, no backlight, for use only in HP 450 models in Taiwan
768787-AD1	A	Keyboard, no backlight, for use only in HP 450 models in South Korea
768787-B31	A	Keyboard, no backlight, for use only in HP 450 models in the Netherlands and Europe
768787-B71	A	Keyboard, no backlight, for use only in HP 450 models in Sweden and Finland
768787-BA1	A	Keyboard, no backlight, for use only in HP 450 models in Slovenia
768787-BB1	A	Keyboard, no backlight, for use only in HP 450 models in Israel
768787-BG1	A	Keyboard, no backlight, for use only in HP 450 models in Switzerland
768787-D61	A	Keyboard, no backlight, for use only in HP 450 models in India
768787-DB1	A	Keyboard, no backlight, for use only in HP 450 models in Canada (English)
768787-DD1	A	Keyboard, no backlight, for use only in HP 450 models in Iceland
768787-DH1	A	Keyboard, no backlight, for use only in HP 450 models in the Netherlands

<b>Spare part number</b>	<b>CSR flag</b>	<b>Description</b>
768787-FL1	A	Keyboard, no backlight, for use only in HP 450 models in the Czech Republic and Slovakia
768787-FP1	A	Keyboard, no backlight, for use only in HP 450 models in northern Africa
773069-001	A	128-GB Solid-state drive for use in HP 455 models
773070-001	A	DVD-ROM drive for use in HP 455 models (includes bezel, bracket, and screws)
773071-001	A	DVD±RW SuperMulti DL Drive for use in HP 455 models (includes bezel, bracket, and screws)
773072-001	C	Display panel (raw), flat, HD, for use in HP 455 models
773073-001	N	System board with an AMD A6-7050B processor and UMA graphics memory for use in models Without Windows 8.1
773073-501	N	System board with an AMD A6-7050B processor and UMA graphics memory for use in models with Windows 8.1 Standard
773073-601	N	System board with an AMD A6-7050B processor and UMA graphics memory for use in models with Windows 8.1 Professional
773074-001	N	System board with an AMD A8-7100 processor and UMA graphics memory for use in models Without Windows 8.1
773074-501	N	System board with an AMD A8-7100 processor and UMA graphics memory for use in models with Windows 8.1 Standard
773074-601	N	System board with an AMD A8-7100 processor and UMA graphics memory for use in models with Windows 8.1 Professional
773075-001	N	System board with an AMD A10-7300 processor and UMA graphics memory for use in models Without Windows 8.1
773075-501	N	System board with an AMD A10-7300 processor and UMA graphics memory for use in models with Windows 8.1 Standard
773075-601	N	System board with an AMD A10-7300 processor and UMA graphics memory for use in models with Windows 8.1 Professional
773077-001	N	System board with an AMD A6-7000B processor and 2 GB of discrete graphics memory for use in models Without Windows 8.1
773077-501	N	System board with an AMD A6-7000B processor and 2 GB of discrete graphics memory for use in models with Windows 8.1 Standard
778175-001	N	128-GB Solid-state drive for use in HP 450 models
773077-601	N	System board with an AMD A6-7000B processor and 2 GB of discrete graphics memory for use in models with Windows 8.1 Professional
773078-001	N	System board with an AMD A8-7100 processor and 2 GB of discrete graphics memory for use in models Without Windows 8.1
773078-501	N	System board with an AMD A8-7100 processor and 2 GB of discrete graphics memory for use in models with Windows 8.1 Standard
773078-601	N	System board with an AMD A8-7100 processor and 2 GB of discrete graphics memory for use in models with Windows 8.1 Professional
773079-001	N	System board with an AMD A10-7300 processor and 2 GB of discrete graphics memory for use in models Without Windows 8.1
773079-501	N	System board with an AMD A10-7300 processor and 2 GB of discrete graphics memory for use in models with Windows 8.1 Standard

<b>Spare part number</b>	<b>CSR flag</b>	<b>Description</b>
773079-601	N	System board with an AMD A10-7300 processor and 2 GB of discrete graphics memory for use in models with Windows 8.1 Professional
773080-001	N	System board with an AMD FX-7500 processor and 2 GB of discrete graphics memory for use in models Without Windows 8.1
773080-501	N	System board with an AMD FX-7500 processor and 2 GB of discrete graphics memory for use in models with Windows 8.1 Standard
773080-601	N	System board with an AMD FX-7500 processor and 2 GB of discrete graphics memory for use in models with Windows 8.1 Professional
773563-001	B	Microphone module
778189-001	A	500-GB, 7200-rpm
778190-001	A	750-GB, 5400-rpm hard drive
778191-001	A	750-GB, 7200-rpm (HP 450 model only)
780894-001	B	Card reader board for use in HP 455 models
782121-001	N	Display panel, 39.6-cm (15.6-inch), HD, anti-glare, touch screen, one antenna
782122-001	N	Display panel, 39.6-cm (15.6-inch), HD, anti-glare, touch screen, two antennas
782950-001	N	System board without Windows 8.1; Intel i3-4030U processor; 2-GB discrete graphics memory
782950-501	N	System board with Windows 8.1 Professional; Intel i3-4030U processor; 2-GB discrete graphics memory
782950-601	N	System board with Windows 8.1 Standard; Intel i3-4030U processor; 2-GB discrete graphics memory
782951-001	N	System board without Windows 8.1; Intel i3-4005U processor; UMA graphics memory
782951-501	N	System board with Windows 8.1 Professional; Intel i3-4005U processor; UMA graphics memory
782951-601	N	System board with Windows 8.1 Standard; Intel i3-4005U processor; UMA graphics memory
782952-001	N	System board without Windows 8.1; Intel i3-4030U processor; UMA graphics memory
782952-501	N	System board with Windows 8.1 Professional; Intel i3-4030U processor; UMA graphics memory
782952-601	N	System board with Windows 8.1 Standard; Intel i3-4030U processor; UMA graphics memory
784652-001	N	System board Without Windows 8.1; Intel i5-4210U processor; UMA graphics memory; WWAN models
784652-501	N	System board with Windows 8.1 Professional; Intel i5-4210U processor; UMA graphics memory; WWAN models
784652-601	N	System board with Windows 8.1 Standard; Intel i5-4210U processor; UMA graphics memory; WWAN models
784653-001	N	System board Without Windows 8.1; Intel i7-4510U processor; UMA graphics memory; WWAN models
784653-501	N	System board with Windows 8.1 Professional; Intel i7-4510U processor; UMA graphics memory; WWAN models
784653-601	N	System board with Windows 8.1 Standard; Intel i7-4510U processor; UMA graphics memory; WWAN models



---

# 4 Removal and replacement procedures preliminary requirements

## Tools required


You will need the following tools to complete the removal and replacement procedures:

- Flat-bladed screwdriver
- Phillips P0 and P1 screwdrivers
- Torx T8 screwdriver

## Service considerations

The following sections include some of the considerations that you must keep in mind during disassembly and assembly procedures.


---

 **NOTE:** As you remove each subassembly from the computer, place the subassembly (and all accompanying screws) away from the work area to prevent damage.

---

## Plastic parts

---

 **CAUTION:** Using excessive force during disassembly and reassembly can damage plastic parts. Use care when handling the plastic parts. Apply pressure only at the points designated in the maintenance instructions.

---

## Cables and connectors

---

**⚠ CAUTION:** When servicing the computer, be sure that cables are placed in their proper locations during the reassembly process. Improper cable placement can damage the computer.

---

Cables must be handled with extreme care to avoid damage. Apply only the tension required to unseat or seat the cables during removal and insertion. Handle cables by the connector whenever possible. In all cases, avoid bending, twisting, or tearing cables. Be sure that cables are routed in such a way that they cannot be caught or snagged by parts being removed or replaced. Handle flex cables with extreme care; these cables tear easily.

## Drive handling

---

**⚠ CAUTION:** Drives are fragile components that must be handled with care. To prevent damage to the computer, damage to a drive, or loss of information, observe these precautions:

Before removing or inserting a hard drive, shut down the computer. If you are unsure whether the computer is off or in Hibernation, turn the computer on, and then shut it down through the operating system.

Before handling a drive, be sure that you are discharged of static electricity. While handling a drive, avoid touching the connector.

Before removing a diskette drive or optical drive, be sure that a diskette or disc is not in the drive and be sure that the optical drive tray is closed.

Handle drives on surfaces covered with at least one inch of shock-proof foam.

Avoid dropping drives from any height onto any surface.

After removing a hard drive, an optical drive, or a diskette drive, place it in a static-proof bag.

Avoid exposing a hard drive to products that have magnetic fields, such as monitors or speakers.

Avoid exposing a drive to temperature extremes or liquids.

If a drive must be mailed, place the drive in a bubble pack mailer or other suitable form of protective packaging and label the package “FRAGILE.”

---

# Grounding guidelines

## Electrostatic discharge damage

Electronic components are sensitive to electrostatic discharge (ESD). Circuitry design and structure determine the degree of sensitivity. Networks built into many integrated circuits provide some protection, but in many cases, ESD contains enough power to alter device parameters or melt silicon junctions.

A discharge of static electricity from a finger or other conductor can destroy static-sensitive devices or microcircuitry. Even if the spark is neither felt nor heard, damage may have occurred.

An electronic device exposed to ESD may not be affected at all and can work perfectly throughout a normal cycle. Or the device may function normally for a while, and then degrade in the internal layers, reducing its life expectancy.

**CAUTION:** To prevent damage to the computer when you are removing or installing internal components, observe these precautions:

Keep components in their electrostatic-safe containers until you are ready to install them.

Use nonmagnetic tools.

Before touching an electronic component, discharge static electricity by using the guidelines described in this section.

Avoid touching pins, leads, and circuitry. Handle electronic components as little as possible.

If you remove a component, place it in an electrostatic-safe container.

The following table shows how humidity affects the electrostatic voltage levels generated by different activities.

**CAUTION:** A product can be degraded by as little as 700 V.

Typical electrostatic voltage levels			
Event	Relative humidity		
	10%	40%	55%
Walking across carpet	35,000 V	15,000 V	7,500 V
Walking across vinyl floor	12,000 V	5,000 V	3,000 V
Motions of bench worker	6,000 V	800 V	400 V
Removing DIPs from plastic tube	2,000 V	700 V	400 V
Removing DIPs from vinyl tray	11,500 V	4,000 V	2,000 V
Removing DIPs from Styrofoam	14,500 V	5,000 V	3,500 V
Removing bubble pack from PCB	26,500 V	20,000 V	7,000 V
Packing PCBs in foam-lined box	21,000 V	11,000 V	5,000 V

## Packaging and transporting guidelines

Follow these grounding guidelines when packaging and transporting equipment:

- To avoid hand contact, transport products in static-safe tubes, bags, or boxes.
- Protect ESD-sensitive parts and assemblies with conductive or approved containers or packaging.
- Keep ESD-sensitive parts in their containers until the parts arrive at static-free workstations.
- Place items on a grounded surface before removing items from their containers.
- Always be properly grounded when touching a component or assembly.
- Store reusable ESD-sensitive parts from assemblies in protective packaging or nonconductive foam.
- Use transporters and conveyors made of antistatic belts and roller bushings. Be sure that mechanized equipment used for moving materials is wired to ground and that proper materials are selected to avoid static charging. When grounding is not possible, use an ionizer to dissipate electric charges.

## Workstation guidelines

Follow these grounding workstation guidelines:

- Cover the workstation with approved static-shielding material.
- Use a wrist strap connected to a properly grounded work surface and use properly grounded tools and equipment.
- Use conductive field service tools, such as cutters, screwdrivers, and vacuums.
- When fixtures must directly contact dissipative surfaces, use fixtures made only of static-safe materials.
- Keep the work area free of nonconductive materials, such as ordinary plastic assembly aids and Styrofoam.
- Handle ESD-sensitive components, parts, and assemblies by the case or PCM laminate. Handle these items only at static-free workstations.
- Avoid contact with pins, leads, or circuitry.
- Turn off power and input signals before inserting or removing connectors or test equipment.

## Equipment guidelines

Grounding equipment must include either a wrist strap or a foot strap at a grounded workstation.

- When seated, wear a wrist strap connected to a grounded system. Wrist straps are flexible straps with a minimum of one megohm  $\pm 10\%$  resistance in the ground cords. To provide proper ground, wear a strap snugly against the skin at all times. On grounded mats with banana-plug connectors, use alligator clips to connect a wrist strap.
- When standing, use foot straps and a grounded floor mat. Foot straps (heel, toe, or boot straps) can be used at standing workstations and are compatible with most types of shoes or boots. On conductive floors or dissipative floor mats, use foot straps on both feet with a minimum of one megohm resistance between the operator and ground. To be effective, the conductive strips must be worn in contact with the skin.

The following grounding equipment is recommended to prevent electrostatic damage:

- Antistatic tapes
- Antistatic smocks, aprons, and sleeve protectors
- Conductive bins and other assembly or soldering aids
- Nonconductive foam
- Conductive tabletop workstations with ground cords of one megohm resistance
- Static-dissipative tables or floor mats with hard ties to the ground
- Field service kits
- Static awareness labels
- Material-handling packages
- Nonconductive plastic bags, tubes, or boxes
- Metal tote boxes
- Electrostatic voltage levels and protective materials


The following table lists the shielding protection provided by antistatic bags and floor mats.


Material	Use	Voltage protection level
Antistatic plastic	Bags	1,500 V
Carbon-loaded plastic	Floor mats	7,500 V
Metallized laminate	Floor mats	5,000 V

---

## 5 Removal and replacement procedures for Customer Self-Repair parts

---


 **CAUTION:** The Customer Self-Repair program is not available in all locations. Installing a part not supported by the Customer Self-Repair program may void your warranty. Check your warranty to determine if Customer Self-Repair is supported in your location.


 **NOTE:** HP continually improves and changes product parts. For complete and current information on supported parts for your computer, go to <http://partsurfer.hp.com>, select your country or region, and then follow the on-screen instructions.

---

### Component replacement procedures

---

 **NOTE:** Please read and follow the procedures described here to access and replace Customer Self-Repair parts successfully.

 **NOTE:** Details about your computer, including model, serial number, product key, and length of warranty, are on the service tag at the bottom of your computer. See [Service tag and PCID label on page 17](#) for details.

---

This chapter provides removal and replacement procedures for Customer Self-Repair parts.

There are as many as 17 screws that must be removed, replaced, or loosened when servicing Customer Self-Repair parts. Make special note of each screw size and location during removal and replacement.

## Battery

Description	Spare part number
4-cell, 44 WHr, 3.0 Ah Li-ion battery	756744-001
4-cell, 40 WHr, 3.0 Ah Li-ion battery	756746-001

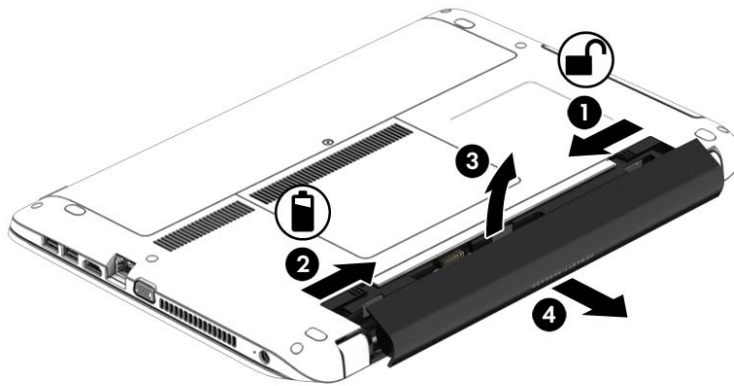
Before removing the battery, follow these steps:

1. Shut down the computer. If you are unsure whether the computer is off or in Hibernation, turn the computer on, and then shut it down through the operating system.
2. Disconnect all external devices connected to the computer.
3. Disconnect the power from the computer by first unplugging the power cord from the AC outlet, and then unplugging the AC adapter from the computer.

To remove the battery:

**⚠ CAUTION:** Removing a battery that is the sole power source for the computer can cause loss of information. To prevent loss of information, save your work and shut down the computer through Windows before removing the battery.

1. Turn the computer upside down on a flat surface.
2. Slide the battery lock latch **(1)**, and then slide the battery release latch **(2)** to release the battery.
3. Tilt the battery upward **(3)** and remove it from the computer **(4)**.



## Service door

Description	Spare part number
Service doors (includes large and small service door)	768134-001

Before removing the service door, follow these steps:

1. Shut down the computer. If you are unsure whether the computer is off or in Hibernation, turn the computer on, and then shut it down through the operating system.
2. Disconnect all external devices connected to the computer.
3. Disconnect the power from the computer by first unplugging the power cord from the AC outlet, and then unplugging the AC adapter from the computer.
4. Remove the battery (see [Battery on page 43](#)).

To remove the service door:


1. With the battery bay away from you, loosen the service door screw **(1)**. The service door screw secures both service doors.
2. Slide the larger service door away from the battery bay **(2)** to remove it.

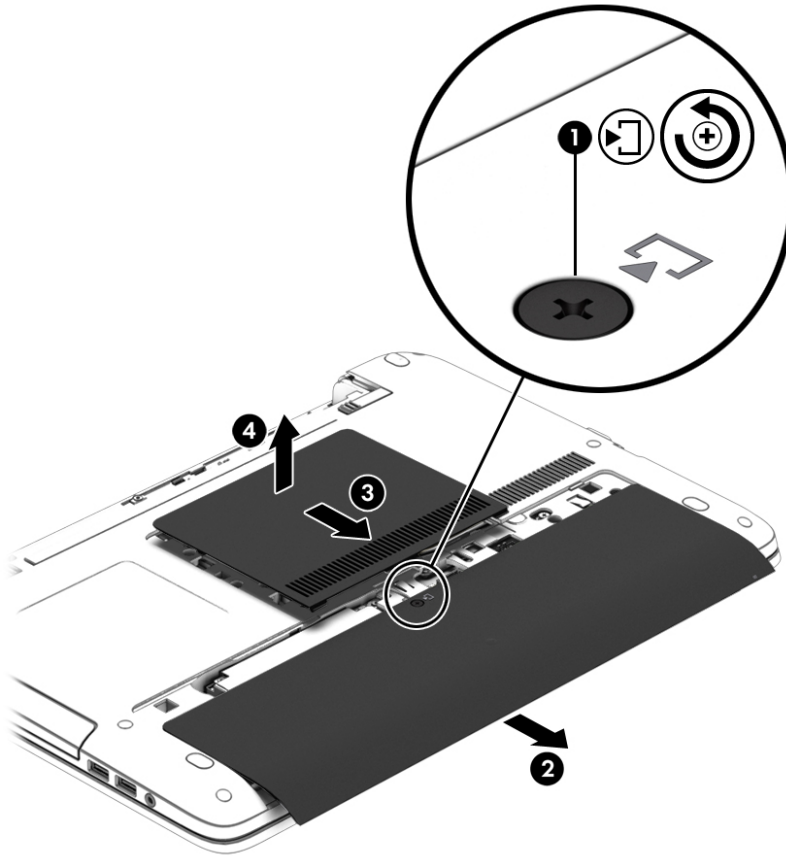


**NOTE:** The larger service door provides access to the hard drive and memory modules.



3. Slide the smaller service door away from the battery bay (3) to release it, and then lift the service door (4) to remove it.

 **NOTE:** The smaller service door provides access to the wireless modules, optical drive security screw, and keyboard screws. You must remove the large service door to remove the small service door.



## Hard drive

Description	Spare part number
1.5-TB, 5400-rpm, 9.5 mm	747375-001
1-TB, 5400-rpm	676521-001
750-GB, 7200-rpm (HP 450 model only)	778191-001
750-GB, 5400-rpm	778190-001
500-GB, 7200-rpm	778189-001
500-GB, 5400-rpm	683802-001
500-GB, 5400-rpm, 7 mm, hybrid (8-GB SSD)	732000-001
320-GB, 5400-rpm	645088-001
128-GB Solid-state drive for use in HP 450 models	778175-001
128-GB Solid-state drive for use in HP 455 models	773069-001
120-GB Solid-state drive, M.2, for use in HP 450 models	768469-001

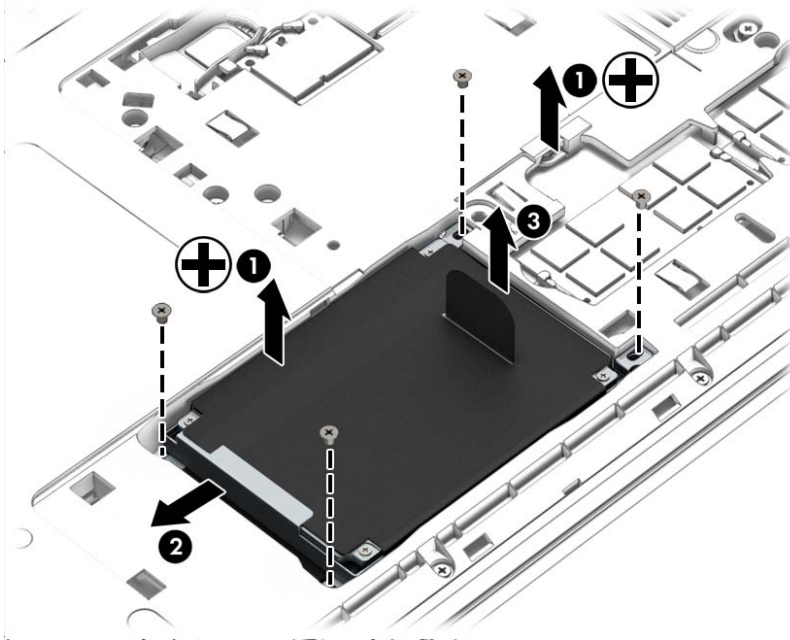
Before removing the hard drive, follow these steps:

1. Shut down the computer. If you are unsure whether the computer is off or in Hibernation, turn the computer on, and then shut it down through the operating system.
2. Disconnect all external devices connected to the computer.
3. Disconnect the power from the computer by first unplugging the power cord from the AC outlet, and then unplugging the AC adapter from the computer.
4. Remove the battery (see [Battery on page 43](#)).
5. Remove the large service door (see [Service door on page 44](#)).

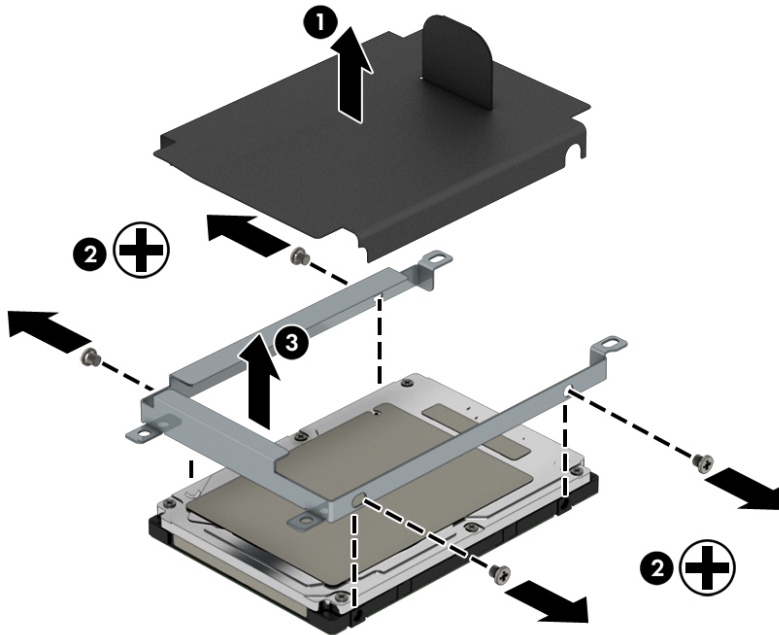
To remove a hard drive:

1. Remove the 4 Phillips PM2.5×3.0 screws **(1)** that secure the hard drive to the chassis.
2. Slide the hard drive **(2)** away from the center of the computer to disengage it from the connector.

3. Pull the plastic tab (3) to remove the hard drive from the bay.




4. To remove the hard drive cover and bracket from the hard drive, lift the Mylar cover up off the drive (1), remove the 4 Phillips PM3.0×3.0 screws (2) that secure the bracket to the drive, and then lift the bracket up and off the hard drive (3).



Reverse this procedure to install a hard drive.

## Memory modules


 **NOTE:** Primary and expansion memory is installed in a stacked configuration in the bottom of the computer.

If only one memory module is installed, it must be installed in the bottom socket.

Description	Spare part number
2-GB (PC3L-12800, 1600-MHz, DDR3L)	691739-001
4-GB (PC3L-12800, 1600-MHz, DDR3L)	691740-001
8-GB (PC3L-12800, 1600-MHz, DDR3L)	693374-001

### Update BIOS before adding memory modules

Before adding new memory, make sure you update the computer to the latest BIOS.

 **CAUTION:** Failure to update the computer to the latest BIOS prior to installing new memory may result in various system problems.

To update BIOS:

1. Navigate to [www.hp.com](http://www.hp.com).
2. Click **Support & Drivers** > click **Drivers & Software**.
3. In the **Enter a product name/number** box, type the computer model information, and then click **Search**.
4. Click the link for the computer model.
5. Select the operating system, and then click **Next**.
6. Under **Step 2: Select a Download**, click the **BIOS** link.
7. Click the link for the most recent BIOS.
8. Click the **Download** button, and then follow the on-screen instructions.


Before removing the memory module, follow these steps:


1. Shut down the computer. If you are unsure whether the computer is off or in Hibernation, turn the computer on, and then shut it down through the operating system.
2. Disconnect all external devices connected to the computer.
3. Disconnect the power from the computer by first unplugging the power cord from the AC outlet, and then unplugging the AC adapter from the computer.
4. Remove the battery (see [Battery on page 43](#)).
5. Remove the large service door (see [Service door on page 44](#)).

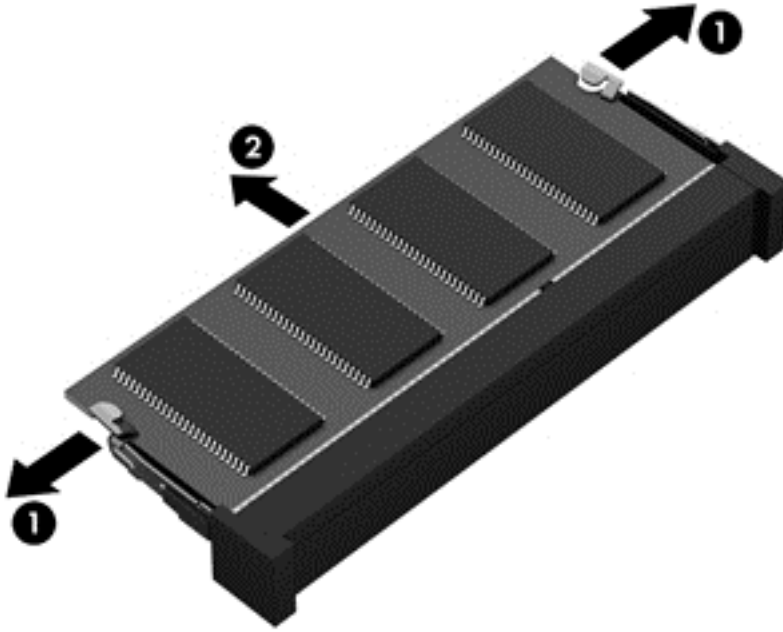
Remove the memory module:

1. Spread the retaining tabs **(1)** on each side of the memory module slot to release the memory module. (The edge of the module opposite the slot rises away from the computer.)

2. Remove the memory module **(2)** by pulling the module away from the slot at an angle.

 **NOTE:** Memory modules are designed with a notch to prevent incorrect insertion into the memory module slot.

 **NOTE:** The computer uses two memory sockets. The top socket houses the expansion memory module and the bottom socket houses the primary memory module. The removal procedure is the same for both memory sockets.



Reverse this procedure to install a memory module.

## Optical drive



**NOTE:** All optical drive spare part kits include an optical drive bezel, bracket, and screws.

Description	Spare part number
<b>For use in HP 450 models:</b>	
DVD-ROM drive	768470-001
Blu-ray ROM DVD±RW SuperMulti DL Drive	768472-001
DVD±RW SuperMulti DL Drive	768471-001
<b>For use in HP 455 models:</b>	
DVD-ROM drive	773070-001
DVD±RW SuperMulti DL Drive	773071-001

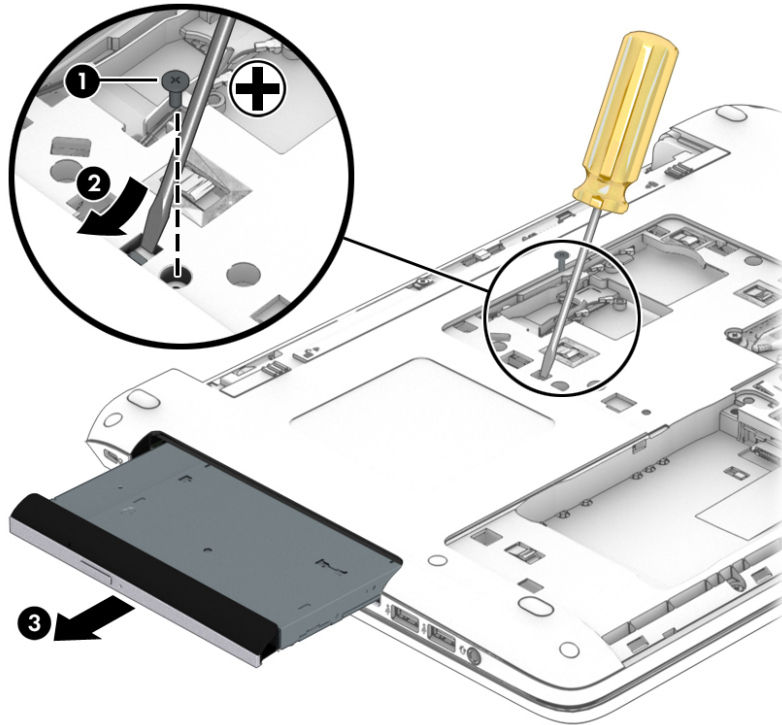
Before removing the optical drive, follow these steps:

1. Shut down the computer. If you are unsure whether the computer is off or in Hibernation, turn the computer on, and then shut it down through the operating system.
2. Disconnect all external devices connected to the computer.
3. Disconnect the power from the computer by first unplugging the power cord from the AC outlet, and then unplugging the AC adapter from the computer.
4. Remove the battery (see [Battery on page 43](#)).
5. Remove both service doors (see [Service door on page 44](#)).

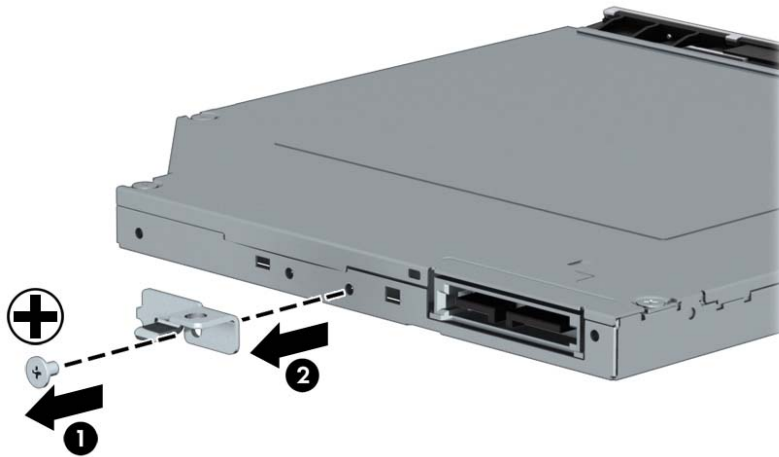
Remove the optical drive:

1. Remove the Phillips PM2.5×6.0 screw **(1)** that secures the optical drive to the computer.
2. Push the optical drive tab **(2)** to release the optical drive from the computer.

3. Remove the optical drive **(3)** from the computer.



4. To remove the bracket from the optical drive, remove the Phillips PM2.0×3.0 screw **(1)** that secures the bracket to the drive, and then remove the bracket from the drive **(2)**.



Reverse this procedure to install an optical drive.

## WLAN/Bluetooth combo card

The computer uses a card that provides both WLAN and Bluetooth functionality.

The WLAN module and WWAN module are not interchangeable.

Description	Spare part number
Atheros AR9485 802.11b/g/n 1x1 WiFi Adapter	675794-001
Realtek RTL8188EE 802.11bgn Wi-Fi Adapter	709848-001
Intel Dual Band Wireless-AC 3160 802.11 ac 1x1 WiFi + BT 4.0 combo adapter	710662-001
Broadcom BCM943228HMB 802.11abgn 2x2 Wi-Fi Adapter + Broadcom Bluetooth 4.0 Adapter	730668-001
Broadcom BCM43142 802.11 bgn 1x1 Wi-Fi + BT4.0 HMC combo adapter	753076-001
Realtek RT8723BE 802.11 bgn 1x1 Wi-Fi + BT4.0 combo adapter	753077-001
Intel Dual Band Wireless-AC 7260 802.11 ac 2x2 WiFi + Intel Dual Band Wireless-AC 7260 BT 4.0 combo adapter	756753-001

Before removing the WLAN module, follow these steps:

1. Shut down the computer. If you are unsure whether the computer is off or in Hibernation, turn the computer on, and then shut it down through the operating system.
2. Disconnect all external devices connected to the computer.
3. Disconnect the power from the computer by first unplugging the power cord from the AC outlet, and then unplugging the AC adapter from the computer.
4. Remove the battery (see [Battery on page 43](#)).
5. Remove both service doors (see [Service door on page 44](#)).

Remove the WLAN module:

1. Disconnect the WLAN antenna cables **(1)** from the terminals on the WLAN module.




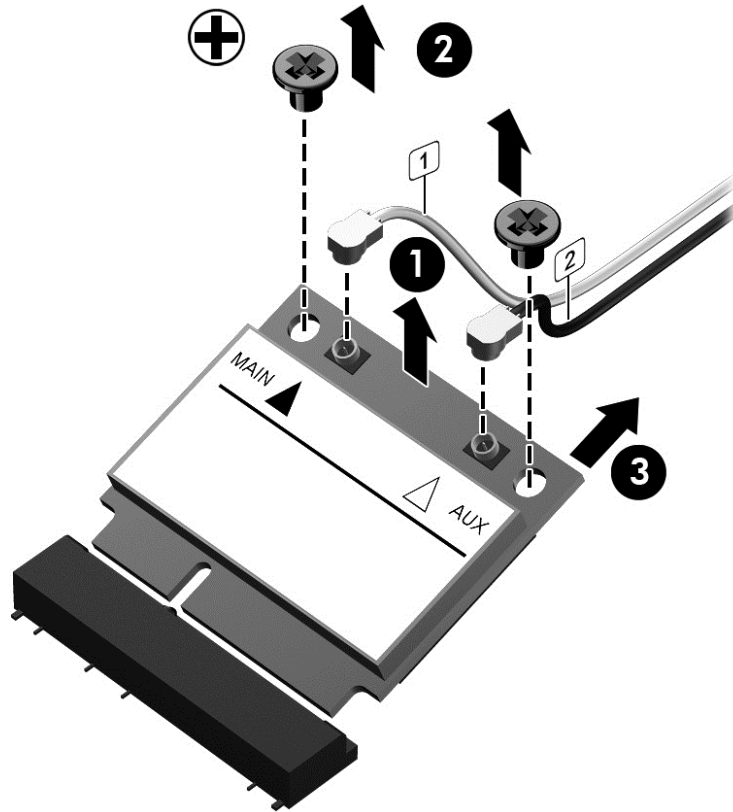
**NOTE:** The WLAN antenna cable labeled “1” connects to the WLAN module “Main” terminal labeled “1”. The WLAN antenna cable labeled “2” connects to the WLAN module “Aux” terminal labeled “2”. If the computer is equipped with an 802.11a/b/g/n WLAN module, the yellow WLAN antenna cable connects to the middle terminal on the WLAN module.


2. Remove the two Phillips PM2.5×3.0 screws **(2)** that secure the WLAN module to the computer. (The edge of the module opposite the slot rises away from the computer.)



3. Remove the WLAN module (3) by pulling the module away from the slot at an angle.

 **NOTE:** WLAN modules are designed with a notch to prevent incorrect insertion.



 **NOTE:** If the WLAN antennas are not connected to the terminals on the WLAN module, the protective sleeves must be installed on the antenna connectors, as shown in the following illustration.



Reverse this procedure to install the WLAN module.

## WWAN module

The WLAN module and WWAN module are not interchangeable.

The WWAN module is available on select models only.

Description	Spare part number
HP lt4112 LTE/HSPA+ Gobi 4G Module	740011-001
HP hs3110 HSPA+ Mobile Broadband Module	748599-001

Before removing the WWAN module, follow these steps:

1. Shut down the computer. If you are unsure whether the computer is off or in Hibernation, turn the computer on, and then shut it down through the operating system.
2. Disconnect all external devices connected to the computer.
3. Disconnect the power from the computer by first unplugging the power cord from the AC outlet, and then unplugging the AC adapter from the computer.
4. Remove the battery (see [Battery on page 43](#)).
5. Remove both service doors (see [Service door on page 44](#)).

Remove the WWAN module:


1. Position the computer upside-down.
2. Disconnect the WWAN antenna cables **(1)** from the terminals on the WWAN module.




**NOTE:** The red WWAN antenna cable is connected to the WWAN module “Main” terminal. The blue WWAN antenna cable is connected to the WWAN module “Aux” terminal.

3. Remove the two Phillips PM2.5×3.0 screws **(2)** that secure the WWAN module to the computer. (The edge of the module opposite the slot rises away from the computer.)

4. Remove the WWAN module **(3)** by pulling the module away from the slot at an angle.

 **NOTE:** WWAN modules are designed with a notch to prevent incorrect insertion.




 **NOTE:** If the WWAN antennas are not connected to the terminals on the WWAN module, the protective sleeves must be installed on the antenna connectors, as shown in the following illustration.



Reverse this procedure to install the WWAN module.

## Keyboard

 **NOTE:** For a detailed list of available keyboards, see [Sequential part number listing on page 29](#).

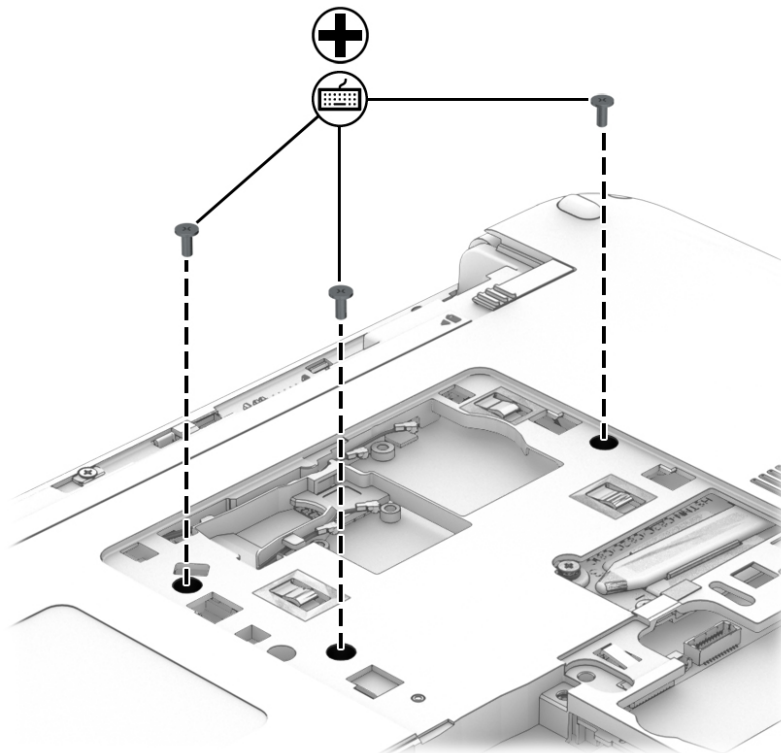
Description	Spare part number
Keyboard, backlit	768130-xxx
Keyboard, no backlight	768787-xx1

Before removing the keyboard, follow these steps:

1. Shut down the computer. If you are unsure whether the computer is off or in Hibernation, turn the computer on, and then shut it down through the operating system.
2. Disconnect all external devices connected to the computer.
3. Disconnect the power from the computer by first unplugging the power cord from the AC outlet, and then unplugging the AC adapter from the computer.
4. Remove the battery (see [Battery on page 43](#)).
5. Remove both service doors (see [Service door on page 44](#)).

Remove the keyboard:

1. Remove the 3 Phillips PM2.5×6.0 screws that secure the keyboard to the computer.




2. Position the computer upright with the front toward you.
3. Open the computer as far as possible.

- Slide the keyboard slightly downward toward the palm rest to disengage the top of the keyboard from the top cover.



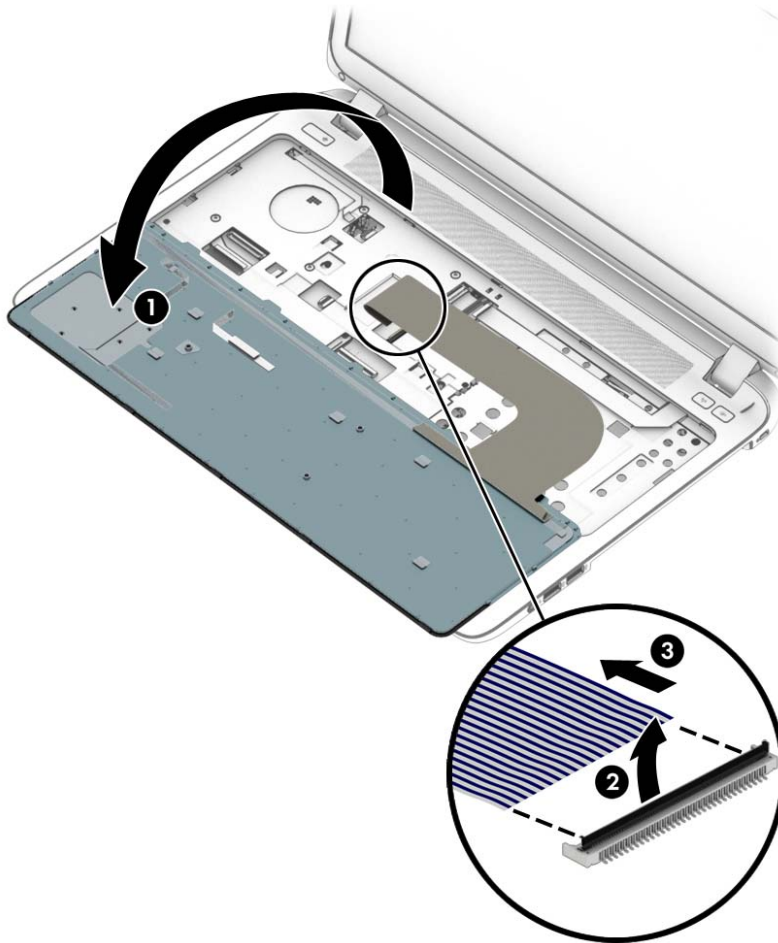
- Rotate the top of the keyboard upward (1), and then lift the keyboard up at an angle (2) to disengage the tabs at the bottom of the keyboard.

 **NOTE:** A cable connects the bottom of the keyboard to the system board. Make sure not to prematurely pull the keyboard cable out of the system board connector.



- Rotate the keyboard until it rests on the palm rest (1).

7. Disconnect the keyboard cable by lifting the keyboard connector latch **(2)**, and then disconnect the keyboard cable from the system board **(3)**.





8. Remove the keyboard.  
Reverse this procedure to install the keyboard.

---

## 6 Removal and replacement procedures for Authorized Service Provider parts


---

 **CAUTION:** Components described in this chapter should only be accessed by an authorized service provider. Accessing these parts can damage the computer or void the warranty.

 **NOTE:** HP continually improves and changes product parts. For complete and current information on supported parts for your computer, go to <http://partsurfer.hp.com>, select your country or region, and then follow the on-screen instructions.

---

### Component replacement procedures

 **NOTE:** Details about your computer, including model, serial number, product key, and length of warranty, are on the service tag at the bottom of your computer. See [Service tag and PCID label on page 17](#) for details.

This chapter provides removal and replacement procedures for Authorized Service Provider only parts.

There are as many as 60 screws that must be removed, replaced, or loosened when servicing Authorized Service Provider only parts. Make special note of each screw size and location during removal and replacement.

## Display subcomponents (bezel, webcam, panel)

This section describes removing display subcomponents that do not require that you remove the entire display assembly from the computer. You can remove the display bezel, webcam/microphone module, and display panel while the display assembly is still attached to the computer.

To remove the remaining display subcomponents, you must remove the entire display assembly from the computer. See [Display assembly on page 95](#) for more information about removing the display assembly in its entirety.

Before removing display subcomponents while the display assembly is still attached to the computer, follow these steps:

1. Shut down the computer. If you are unsure whether the computer is off or in Hibernation, turn the computer on, and then shut it down through the operating system.
2. Disconnect all external devices connected to the computer.
3. Disconnect the power from the computer by first unplugging the power cord from the AC outlet and then unplugging the AC adapter from the computer.
4. Remove the battery (see [Battery on page 43](#)).

To remove the display bezel, webcam/microphone module, and raw display panel:

1. Position the computer upright with the front toward you, and then open it.
2. To remove the display bezel, remove the 2 mylar screw covers **(1)** and the 2 Phillips PM2.0×3.0 screws **(2)** in the bottom corners of the display bezel.
3. Flex the top **(3)** of the bezel, the inside edges of the left and right sides **(4)**, and then the bottom **(5)** of the bezel until it disengages from the display enclosure.



---

**NOTE:** Make sure the hinges are not bent (see hinge position in following image) when you remove the bezel.

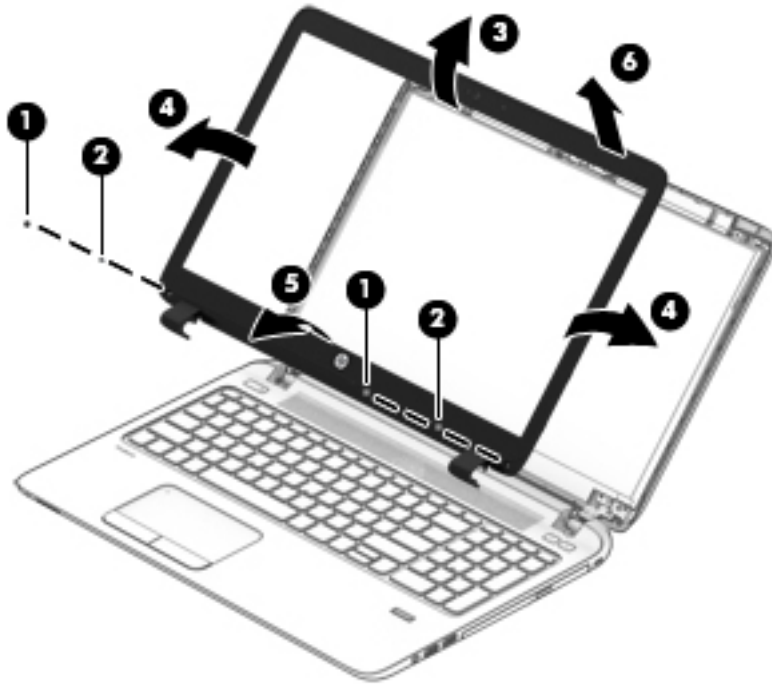
---

4. If you need to remove the display bezel, remove the 2 mylar screw covers **(1)** and the 2 Phillips PM2.0×3.0 screws **(2)** in the bottom corners of the display bezel.
5. Flex the top **(3)** of the bezel, the inside edges of the left and right sides **(4)**, and then the bottom **(5)** of the bezel until it disengages from the display enclosure.



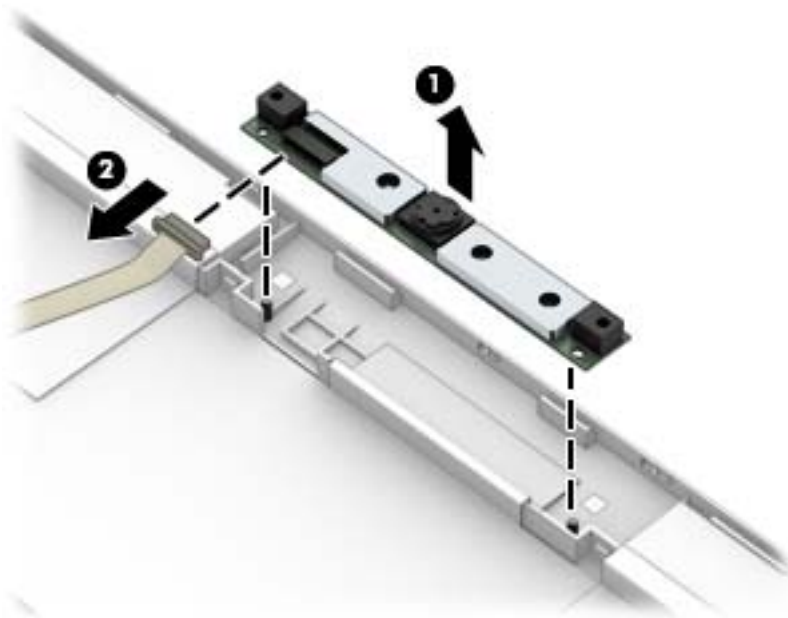
6. Remove the display bezel (6).

The display bezel is available using spare part number 768125-001 for models with a webcam and 768126-001 for models without a webcam. Display bezel mylar screw covers are available in the Rubber Kit, spare part number 768136-001.



7. If it is necessary to replace the webcam or microphone module, gently pull the module away from the double-sided tape on the display enclosure (1), and then disconnect the cable from the module (2).

The webcam module is available using spare part number 767457-001.



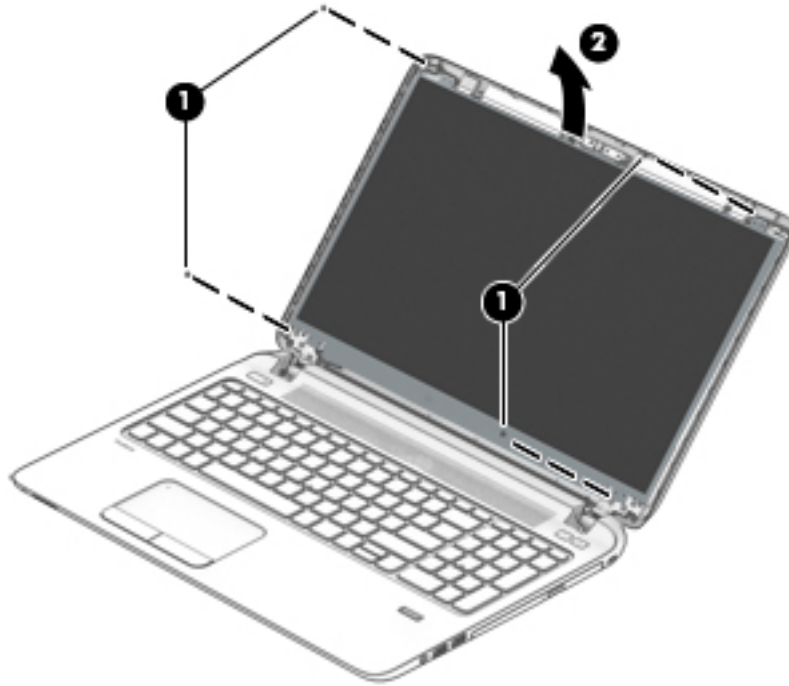
8. If it is necessary to remove the display panel from the enclosure, remove the 4 Phillips PM2.0×3.0 screws **(1)** that secure the panel to the display enclosure, and then lift the top of the panel upward **(2)**.

The raw display panel is available using spare part numbers:

768135-001 for HD, flat panels in HP 450 models

768468-001 for FHD, slim panels on HP 450 models

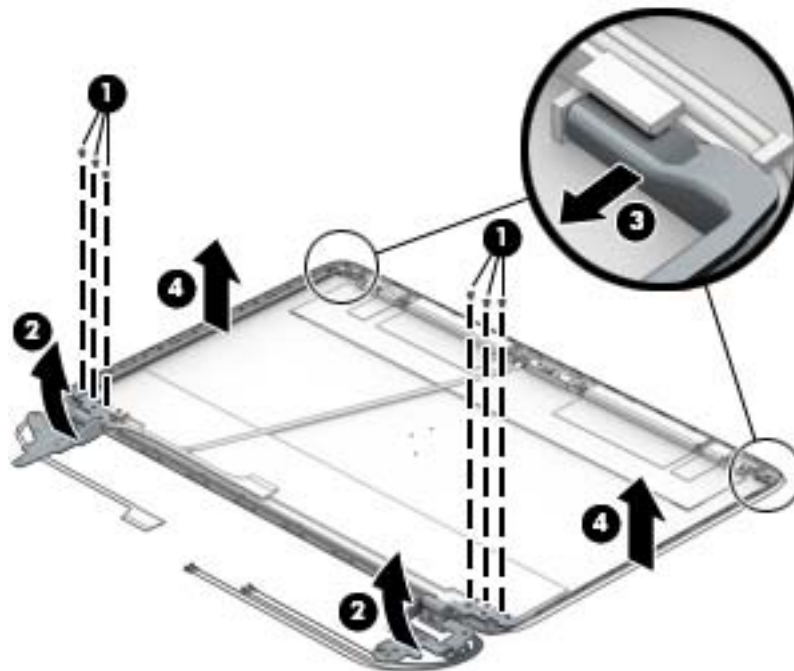
773072-001 for HD, flat panels on HP 455 models



9. Rotate the display panel onto the keyboard (1), disconnect the display cable from the rear of the panel (2), and then remove the display panel (3) from the enclosure.



10. If it is necessary to replace the display hinges, remove the 6 Phillips PM2.0×3.0 screws (1) that secure the display hinges to the display enclosure.
11. Lift the bottom of the hinges upward (2), pull the top of the hinges out from under the tabs (3), and then remove the display hinges from the display enclosure (4).



Reverse this procedure to reassemble and install the display bezel, webcam/microphone module, and display panel.

## Top cover

 **NOTE:** Top cover spare part kits include the touchpad assembly.

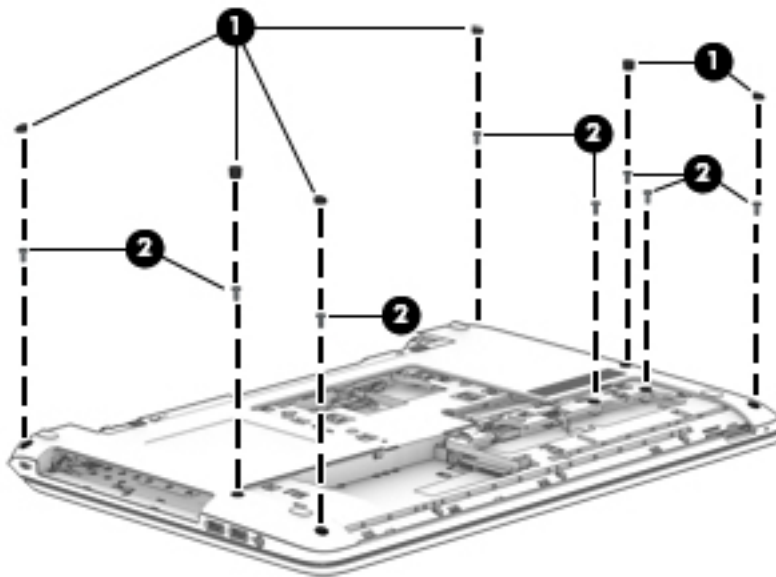
Description	Spare part number
Top cover (includes touchpad)	768139-001

Before removing the top cover, follow these steps:

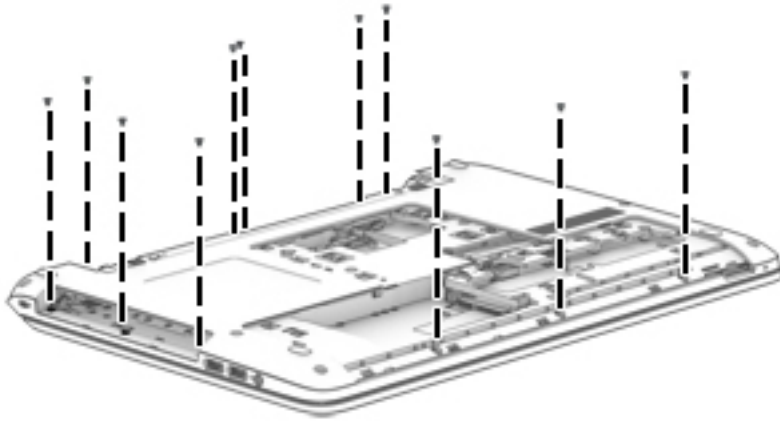
1. Shut down the computer. If you are unsure whether the computer is off or in Hibernation, turn the computer on, and then shut it down through the operating system.
2. Disconnect all external devices connected to the computer.
3. Disconnect the power from the computer by first unplugging the power cord from the AC outlet, and then unplugging the AC adapter from the computer.
4. Remove the following components:
  - a. Battery (see [Battery on page 43](#)).
  - b. Service doors (see [Service door on page 44](#)).
  - c. Hard drive ([Hard drive on page 46](#))
  - d. Optical drive ([Optical drive on page 50](#))
  - e. Keyboard (see [Keyboard on page 56](#))

Remove the top cover:

1. Position the computer upside-down with the front toward you.
2. Remove the 6 rubber screw covers and 8 Torx T8M2.5×6.0 screws that secure the top cover to the computer.



3. Remove the 11 Torx T8M2.5×3.0 screws that secure the top cover to the computer.

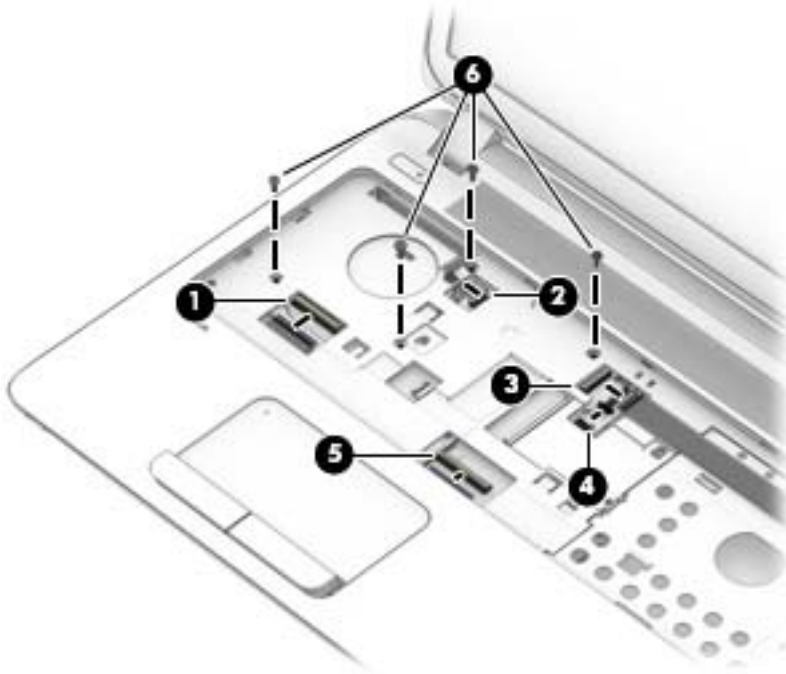


4. Position the computer upright and open it as far as possible.


5. Disconnect the following cables from the system board:

- **(1):** Card reader board cable
- **(2):** Power button board cable
- **(3):** Function board cable
- **(4):** Speaker cable
- **(5):** USB board cable

6. Remove the 4 Torx T8M2.5×6.0 screws **(6)** from the top of the computer.



7. Pry the top cover off the computer to disengage it.

 **NOTE:** Begin by attempting to pry the top cover loose near the optical drive.

8. Lift the top of the top cover (1), and the lift the top cover up and remove it from the computer (2).



Reverse this procedure to install the top cover.

## RTC battery, HP 455 models

Description	Spare part number
RTC battery	738824-001

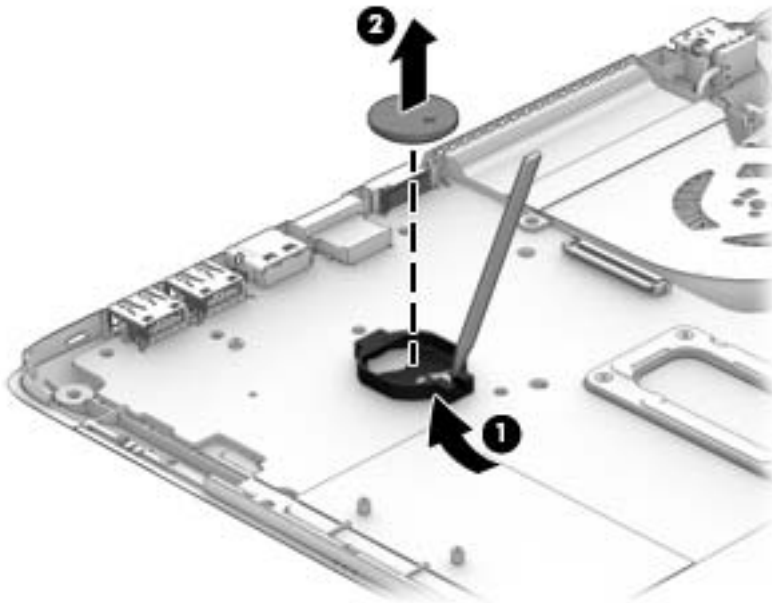
Before removing the RTC battery, follow these steps:

On HP 455 models, you access the RTC battery without removing the system board.

1. Shut down the computer. If you are unsure whether the computer is off or in Hibernation, turn the computer on, and then shut it down through the operating system.
2. Disconnect all external devices connected to the computer.
3. Disconnect the power from the computer by first unplugging the power cord from the AC outlet, and then unplugging the AC adapter from the computer.
4. Remove the battery (see [Battery on page 43](#)).
5. Remove the following components:
  - a. Service doors (see [Service door on page 44](#)).
  - b. Hard drive (see [Hard drive on page 46](#))
  - c. Optical drive (see [Optical drive on page 50](#))
  - d. Keyboard (see [Keyboard on page 56](#))
  - e. Top cover (see [Top cover on page 64](#))

Remove the RTC battery:

1. Using a flat tool, pry the battery out of the socket (1).
2. Remove the battery from the socket (2).



Reverse this procedure to install the RTC battery.

## Speaker assembly

Description	Spare part number
Speaker assembly	768138-001



**NOTE:** You must remove the left speaker to remove to function board cable.

Before removing the speaker assembly, follow these steps:

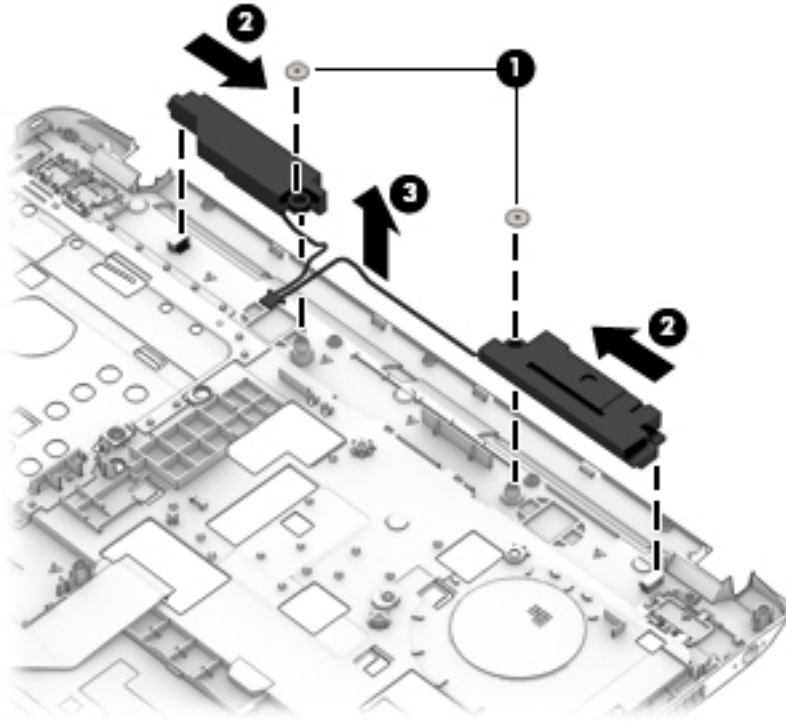
1. Shut down the computer. If you are unsure whether the computer is off or in Hibernation, turn the computer on, and then shut it down through the operating system.
2. Disconnect all external devices connected to the computer.
3. Disconnect the power from the computer by first unplugging the power cord from the AC outlet, and then unplugging the AC adapter from the computer.
4. Remove the battery (see [Battery on page 43](#)).
5. Remove the following components:
  - a. Service doors (see [Service door on page 44](#)).
  - b. Keyboard (see [Keyboard on page 56](#))
  - c. Hard drive ([Hard drive on page 46](#))
  - d. Optical drive ([Optical drive on page 50](#))
  - e. Top cover (see [Top cover on page 64](#))

Remove the speaker assembly:

1. Position the top cover upside-down.
2. Remove the 2 Phillips PM2.0×3.0 broadhead screws **(1)** that secure the speakers to the computer.
3. Slide the speakers toward each other to disengage them from the top cover **(2)**.



4. Remove the speakers from the top cover (3).



Reverse this procedure to install the speaker assembly.

## Fingerprint reader assembly

Description	Spare part number
Fingerprint reader assembly (includes cable, bracket, and bezel)	768128-001

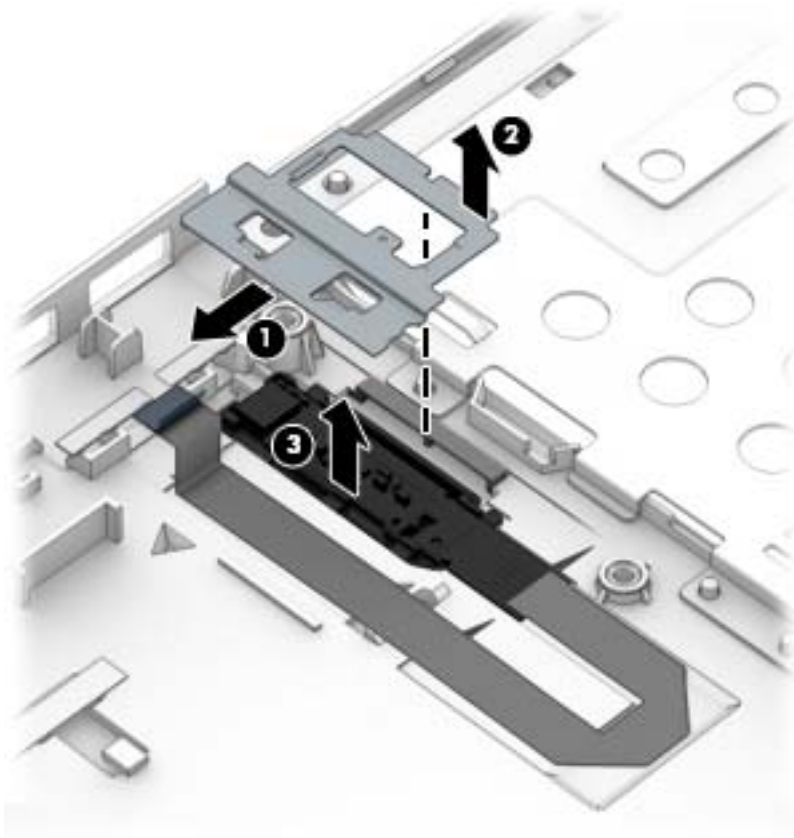
Before removing the fingerprint reader assembly, follow these steps:

1. Shut down the computer. If you are unsure whether the computer is off or in Hibernation, turn the computer on, and then shut it down through the operating system.
2. Disconnect all external devices connected to the computer.
3. Disconnect the power from the computer by first unplugging the power cord from the AC outlet, and then unplugging the AC adapter from the computer.
4. Remove the battery (see [Battery on page 43](#)).
5. Remove the following components:
  - a. Service doors (see [Service door on page 44](#)).
  - b. Keyboard (see [Keyboard on page 56](#))
  - c. Hard drive ([Hard drive on page 46](#))
  - d. Optical drive ([Optical drive on page 50](#))
  - e. Top cover (see [Top cover on page 64](#))

Remove the fingerprint reader assembly:

1. Position the top cover upside-down.
2. Slide the bracket toward the bottom of the top cover **(1)**, and then lift it off the top cover **(2)**.

3. Remove the fingerprint reader board and cable assembly from the top cover (3).



Reverse this procedure to install the fingerprint reader assembly.

## Power button board

Description	Spare part number
Power button board assembly	767442-001

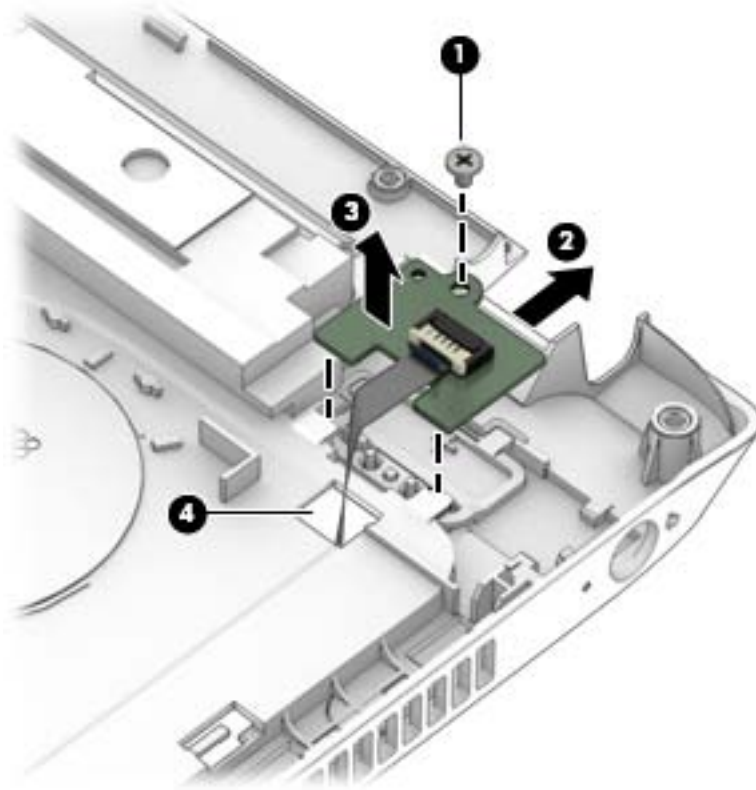
Before removing the power button board, follow these steps:

1. Shut down the computer. If you are unsure whether the computer is off or in Hibernation, turn the computer on, and then shut it down through the operating system.
2. Disconnect all external devices connected to the computer.
3. Disconnect the power from the computer by first unplugging the power cord from the AC outlet, and then unplugging the AC adapter from the computer.
4. Remove the battery (see [Battery on page 43](#)).
5. Remove the following components:
  - a. Service doors (see [Service door on page 44](#))
  - b. Keyboard (see [Keyboard on page 56](#))
  - c. Hard drive ([Hard drive on page 46](#))

- d. Optical drive ([Optical drive on page 50](#))
- e. Top cover (see [Top cover on page 64](#))

Remove the power button board:

1. Position the top cover upside-down.
2. Remove the Phillips PM2.0×3.0 screw **(1)** that secures the power button board to the top cover.
3. Slide the board upward to disengage it from the tabs **(2)**.
4. Lift the board up to remove it from the top cover **(3)**, while guiding the cable through the hole in the top cover **(4)**.



Reverse this procedure to install the power button board.

## Function board

Description	Spare part number
Function board	768131-001

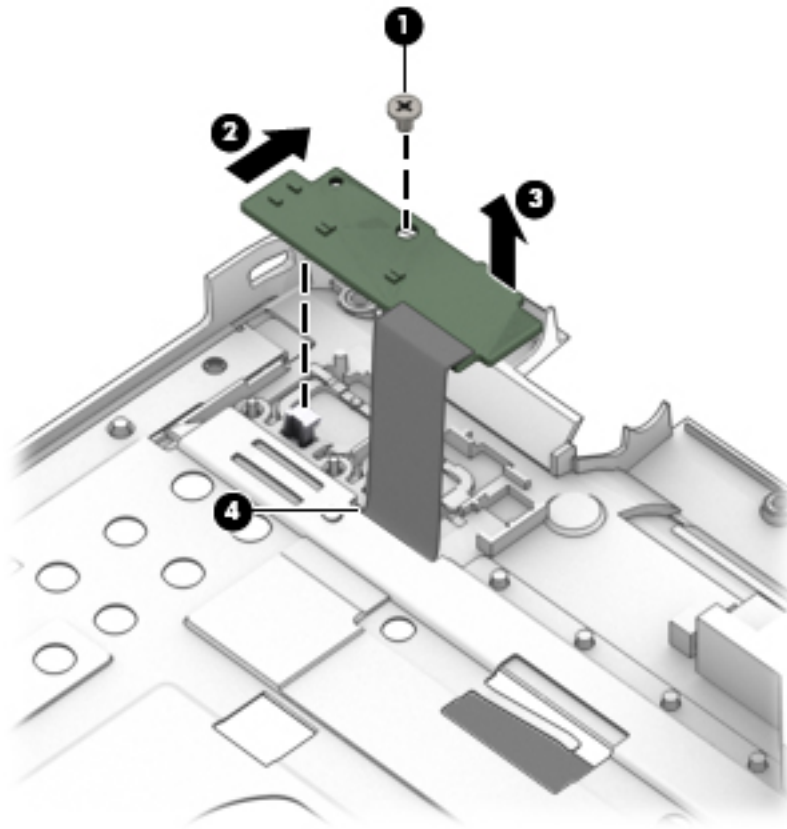
Before removing the function board, follow these steps:

1. Shut down the computer. If you are unsure whether the computer is off or in Hibernation, turn the computer on, and then shut it down through the operating system.
2. Disconnect all external devices connected to the computer.
3. Disconnect the power from the computer by first unplugging the power cord from the AC outlet, and then unplugging the AC adapter from the computer.
4. Remove the battery (see [Battery on page 43](#)).
5. Remove the following components:
  - a. Service doors (see [Service door on page 44](#))
  - b. Keyboard (see [Keyboard on page 56](#))
  - c. Hard drive ([Hard drive on page 46](#))
  - d. Optical drive ([Optical drive on page 50](#))
  - e. Top cover (see [Top cover on page 64](#))

Remove the function board:

1. Position the top cover upside-down.
2. Remove the Phillips PM2.0×3.0 screw **(1)** that secures the function board to the top cover.
3. Slide the board toward the top of the top cover **(2)**, and then lift it off the top cover **(3)**.

4. On the front of the top cover, pull the cable to disengage it from the adhesive that secures it, and then pull the cable through the hole in the top cover (4).



5. Remove the function board from the top cover.  
Reverse this procedure to install the function board.

## Card reader board

Description	Spare part number
Card reader board for use in HP 450 models	768133-001
Card reader board for use in HP 455 models	780894-001

Before removing the card reader board, follow these steps:

1. Shut down the computer. If you are unsure whether the computer is off or in Hibernation, turn the computer on, and then shut it down through the operating system.
2. Disconnect all external devices connected to the computer.
3. Disconnect the power from the computer by first unplugging the power cord from the AC outlet, and then unplugging the AC adapter from the computer.
4. Remove the battery (see [Battery on page 43](#)).
5. Remove the following components:
  - a. Service doors (see [Service door on page 44](#)).
  - b. Keyboard (see [Keyboard on page 56](#))
  - c. Hard drive ([Hard drive on page 46](#))
  - d. Optical drive ([Optical drive on page 50](#))
  - e. Top cover (see [Top cover on page 64](#))

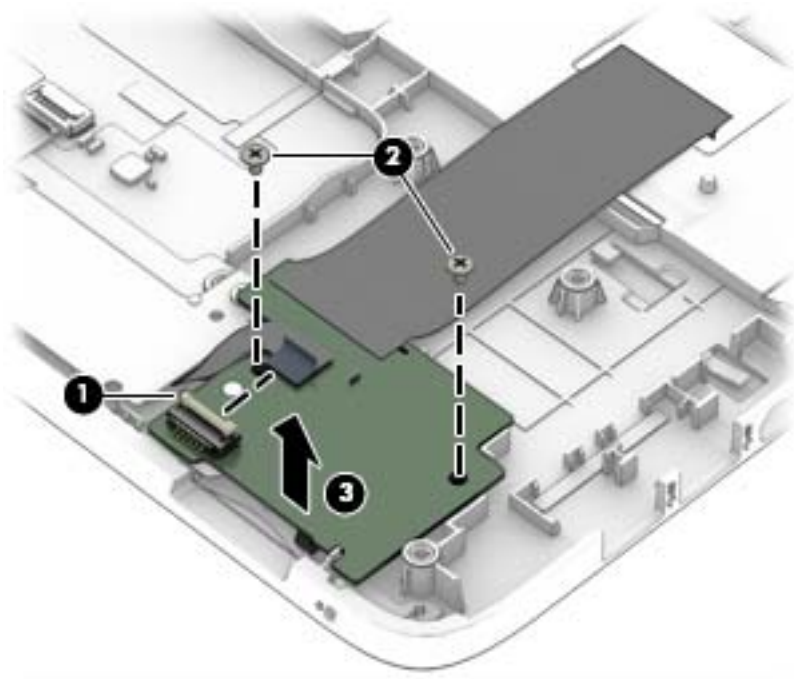
Remove the card reader board:



**NOTE:** Before you remove the card reader, make sure nothing (memory card or plastic insert) is installed.

1. Position the top cover upside-down.
2. Disconnect the cable from the board **(1)**.
3. Remove the two Phillips PM2.5×4.0 screws **(2)** that secure the card reader board to the computer.

4. Remove the card reader board from the top cover (3).



Reverse this procedure to install the card reader board.



## USB/audio board

Description	Spare part number
USB/audio board	768132-001

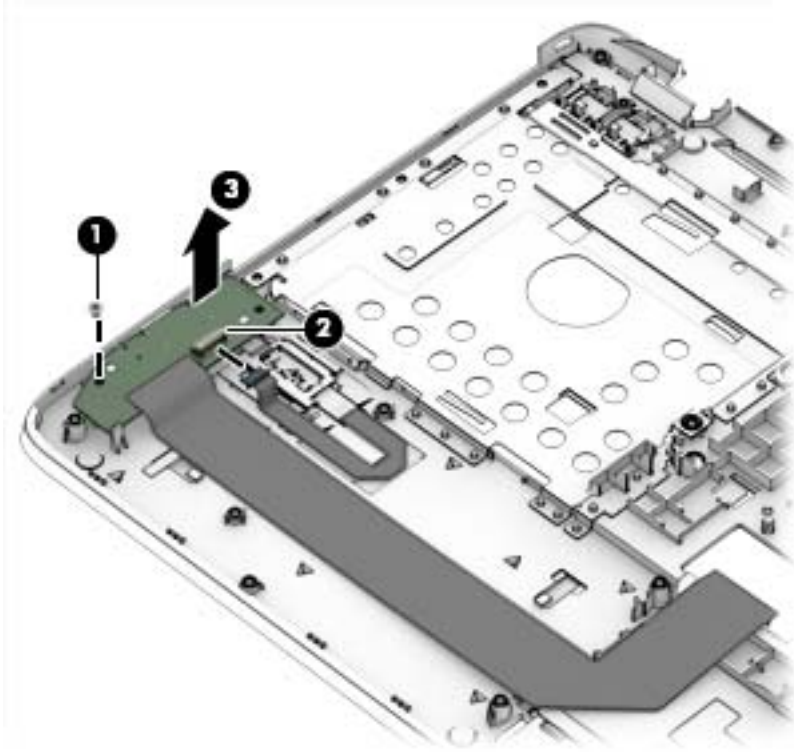
Before removing the USB/audio board, follow these steps:

1. Shut down the computer. If you are unsure whether the computer is off or in Hibernation, turn the computer on, and then shut it down through the operating system.
2. Disconnect all external devices connected to the computer.
3. Disconnect the power from the computer by first unplugging the power cord from the AC outlet, and then unplugging the AC adapter from the computer.
4. Remove the battery (see [Battery on page 43](#)).
5. Remove the following components:
  - a. Service doors (see [Service door on page 44](#)).
  - b. Keyboard (see [Keyboard on page 56](#))
  - c. Hard drive ([Hard drive on page 46](#))
  - d. Optical drive ([Optical drive on page 50](#))
  - e. Top cover (see [Top cover on page 64](#))

Remove the USB/audio board:

1. Position the top cover upside-down.
2. Remove the Phillips PM2.5×4.0 screw **(1)** that secures the USB/audio board to the computer.
3. Disconnect the cable from the board **(2)**.

4. Lift the board off the top cover **(3)**.



Reverse this procedure to install the USB/audio board.

## Touchpad button board

Description	Spare part number
Touchpad button board	768140-001

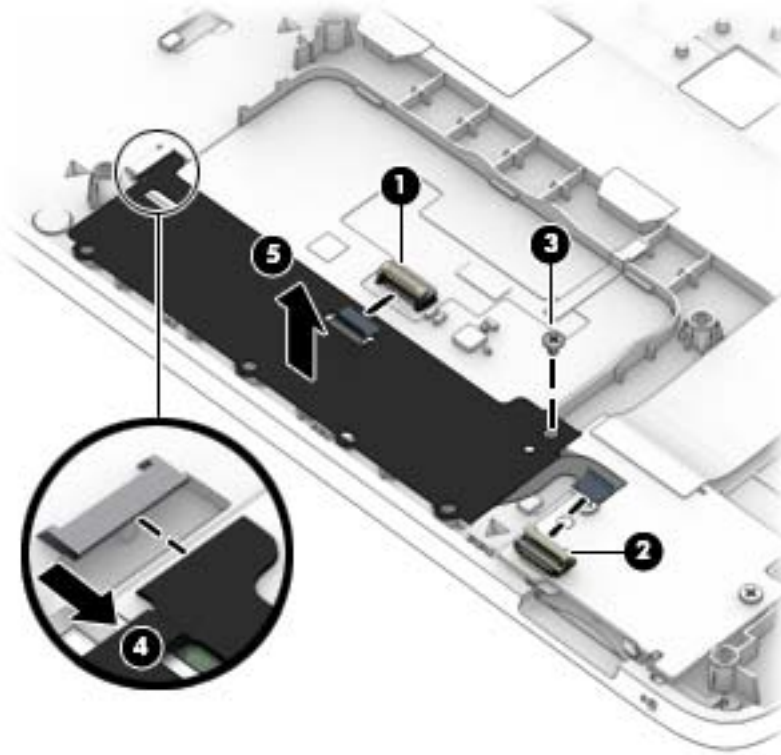
Before removing the touchpad button board, follow these steps:

1. Shut down the computer. If you are unsure whether the computer is off or in Hibernation, turn the computer on, and then shut it down through the operating system.
2. Disconnect all external devices connected to the computer.
3. Disconnect the power from the computer by first unplugging the power cord from the AC outlet, and then unplugging the AC adapter from the computer.
4. Remove the battery (see [Battery on page 43](#)).
5. Remove the following components:
  - a. Service doors (see [Service door on page 44](#)).
  - b. Keyboard (see [Keyboard on page 56](#))
  - c. Hard drive ([Hard drive on page 46](#))
  - d. Optical drive ([Optical drive on page 50](#))
  - e. Top cover (see [Top cover on page 64](#))

Remove the touchpad button board:

1. Position the top cover upside-down.
2. Disconnect the cable from the touchpad **(1)**.
3. Disconnect the cable from the card reader board **(2)**.
4. Remove the Phillips PM2.0×3.0 screw **(3)** that secures the button board to the top cover.
5. Lift the right side of the touchpad button board up, and then pull it to the right to remove it from the slot **(4)**.

6. Lift the touchpad button board off the top cover (5).



Reverse this procedure to install the touchpad button board.

## Fan

Description	Spare part number
Fan	767433-001



**NOTE:** To properly ventilate the computer, allow at least **7.6 cm** (3.0 in) of clearance on the left side of the computer. The computer uses an electric fan for ventilation. The fan is controlled by a temperature sensor and is designed to turn on automatically when high temperature conditions exist. These conditions are affected by high external temperatures, system power consumption, power management/battery conservation configurations, battery fast charging, and software requirements. Exhaust air is displaced through the ventilation grill located on the left side of the computer.

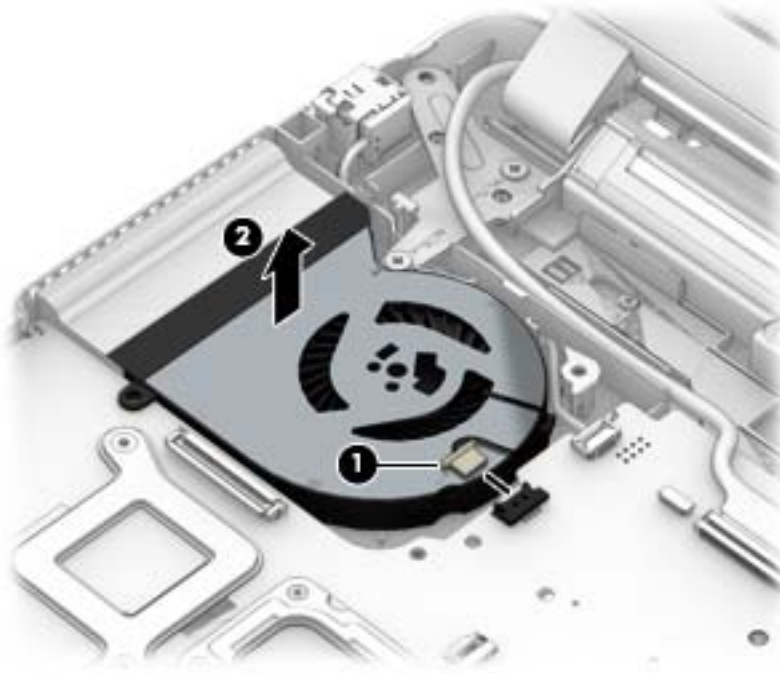
Before removing the fan/heat sink assembly, follow these steps:

1. Shut down the computer. If you are unsure whether the computer is off or in Hibernation, turn the computer on, and then shut it down through the operating system.
2. Disconnect all external devices connected to the computer.
3. Disconnect the power from the computer by first unplugging the power cord from the AC outlet and then unplugging the AC adapter from the computer.
4. Remove the battery (see [Battery on page 43](#)), and then remove the following components:
  - a. Service doors (see [Service door on page 44](#)).
  - b. Hard drive ([Hard drive on page 46](#))
  - c. Optical drive ([Optical drive on page 50](#))
  - d. Keyboard (see [Keyboard on page 56](#))
  - e. Top cover (see [Top cover on page 64](#))

To remove the fan:

1. Disconnect the fan cable **(1)** from the system board.

2. Lift the fan from the computer **(2)**.



Reverse this procedure to install the fan.

## Battery connector cable

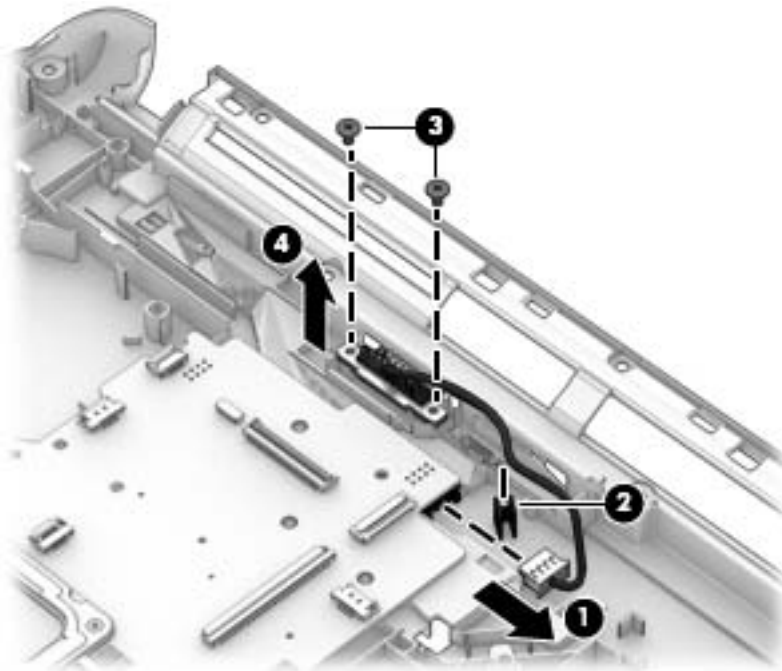
The battery connector cable is included in the Cable Kit, spare part number 768127-001.

Before removing the battery connector cable, follow these steps:

1. Shut down the computer. If you are unsure whether the computer is off or in Hibernation, turn the computer on, and then shut it down through the operating system.
2. Disconnect all external devices connected to the computer.
3. Disconnect the power from the computer by first unplugging the power cord from the AC outlet, and then unplugging the AC adapter from the computer.
4. Remove the battery (see [Battery on page 43](#)).
5. Remove the following components:
  - a. Service doors (see [Service door on page 44](#)).
  - b. Hard drive ([Hard drive on page 46](#))
  - c. Optical drive ([Optical drive on page 50](#))
  - d. Keyboard (see [Keyboard on page 56](#))
  - e. Top cover (see [Top cover on page 64](#))

Remove the battery connector cable:

1. Disconnect the battery connector cable from the system board **(1)**.
2. Remove the cable from the clip on the chassis **(2)**.
3. Remove the 2 Phillips PM2.5×6.0 screws that secure the battery connector cable to the computer **(3)**.
4. Remove the battery connector cable from the computer **(4)**.



Reverse this procedure to install the battery connector cable.

## System board



**NOTE:** All system board spare part kits include replacement thermal material.

Description	Spare part number
<b>Intel i7-4510U processor; 2-GB discrete graphics memory:</b>	
Without Windows 8.1	768145-001
Windows 8.1 Professional	768145-501
Windows 8.1 Standard	768145-601
<b>Intel i3-4030U processor; 2-GB discrete graphics memory</b>	
Without Windows 8.1	782950-001
Windows 8.1 Professional	782950-501
Windows 8.1 Standard	782950-601
<b>Intel i5-4210U processor; 2-GB discrete graphics memory</b>	
Without Windows 8.1	768143-001
Windows 8.1 Professional	768143-501
Windows 8.1 Standard	768143-601
<b>Intel i5-4210U processor; 1-GB discrete graphics memory</b>	
Without Windows 8.1	768142-001
Windows 8.1 Professional	768142-501
Windows 8.1 Standard	768142-601
<b>Intel i7-4510U processor; UMA graphics memory; no WWAN</b>	
Without Windows 8.1	768148-001
Windows 8.1 Professional	768148-501
Windows 8.1 Standard	768148-601
<b>Intel i7-4510U processor; UMA graphics memory; WWAN</b>	
Without Windows 8.1	784653-001
Windows 8.1 Professional	784653-501
Windows 8.1 Standard	784653-601
<b>Intel i5-4210U processor; UMA graphics memory; no WWAN</b>	
Without Windows 8.1	768146-001
Windows 8.1 Professional	768146-501
Windows 8.1 Standard	768146-601
<b>Intel i5-4210U processor; UMA graphics memory; WWAN</b>	
Without Windows 8.1	784652-001
Windows 8.1 Professional	784652-501



<b>Description</b>	<b>Spare part number</b>
Windows 8.1 Standard	784652-601
<b>Intel i3-4030U processor; UMA graphics memory</b>	
Without Windows 8.1	782952-001
Windows 8.1 Professional	782952-501
Windows 8.1 Standard	782952-601
Windows 8.1 Standard	768148-601
<b>Intel i3-4005U processor; UMA graphics memory</b>	
Without Windows 8.1	782951-001
Windows 8.1 Professional	782951-501
Windows 8.1 Standard	782951-601
<b>Intel Pentium 3558U processor; UMA graphics memory</b>	
Without Windows 8.1	768150-001
Windows 8.1 Professional	768150-501
Windows 8.1 Standard	768150-601
<b>AMD FX-7500 processor; 1 GB discrete graphics memory</b>	
• Without Windows 8.1	773080-001
• Windows 8.1 Professional	773080-501
• Windows 8.1 Standard	773080-601
<b>AMD A10-7300 processor; 2 GB discrete graphics memory</b>	
• Without Windows 8.1	773079-001
• Windows 8.1 Professional	773079-501
• Windows 8.1 Standard	773079-601
<b>AMD A8-7100 processor; 2 GB discrete graphics memory</b>	
• Without Windows 8.1	773078-001
• Windows 8.1 Professional	773078-501
• Windows 8.1 Standard	773078-601
<b>AMD A6-7000B processor; 2 GB discrete graphics memory</b>	
• Without Windows 8.1	773077-001
• Windows 8.1 Professional	773077-501
• Windows 8.1 Standard	773077-601
<b>AMD A10-7300 processor; UMA graphics memory</b>	
• Without Windows 8.1	773075-001
• Windows 8.1 Professional	773075-501
• Windows 8.1 Standard	773075-601

Description	Spare part number
<b>AMD A8-7100 processor; UMA graphics memory</b>	
• Without Windows 8.1	773074-001
• Windows 8.1 Professional	773074-501
• Windows 8.1 Standard	773074-601
<b>AMD A6-7050B processor; UMA graphics memory</b>	
• Without Windows 8.1	773073-001
• Windows 8.1 Professional	773073-501
• Windows 8.1 Standard	773073-601

Before removing the system board, follow these steps:

1. Shut down the computer. If you are unsure whether the computer is off or in Hibernation, turn the computer on, and then shut it down through the operating system.
2. Disconnect all external devices connected to the computer.
3. Disconnect the power from the computer by first unplugging the power cord from the AC outlet, and then unplugging the AC adapter from the computer.
4. Remove the battery (see [Battery on page 43](#)).
5. Remove the following components:
  - a. Service doors (see [Service door on page 44](#)).
  - b. Hard drive (see [Hard drive on page 46](#))
  - c. Optical drive (see [Optical drive on page 50](#))
  - d. Keyboard (see [Keyboard on page 56](#))
  - e. Top cover (see [Top cover on page 64](#))

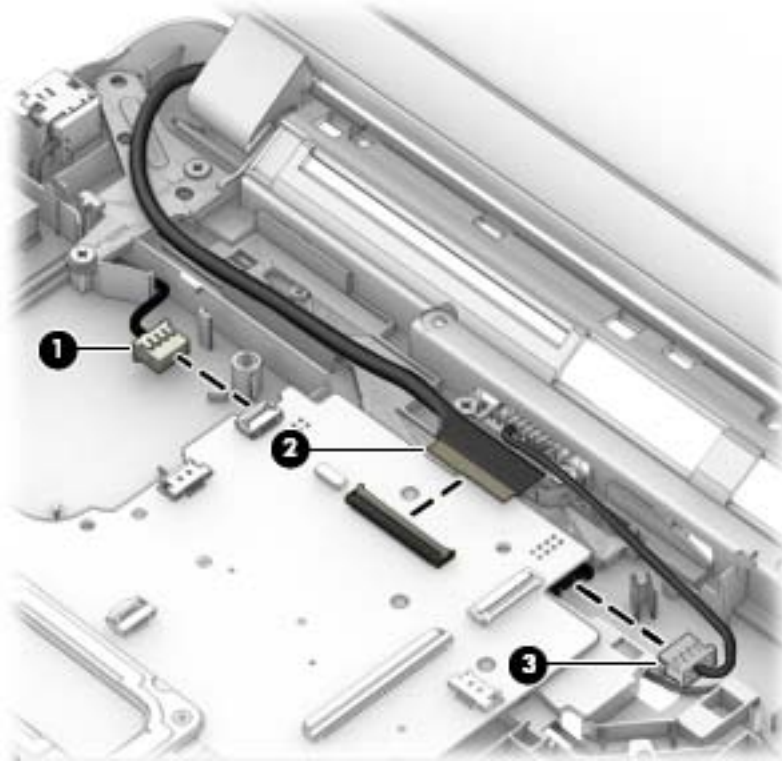
When replacing the system board, be sure to remove the following components from the defective system board and install on the replacement system board:

- Memory modules (see [Memory modules on page 48](#))
- WLAN/Bluetooth module (see [WLAN/Bluetooth combo card on page 52](#))
- WWAN module (see [WWAN module on page 54](#))

Remove the system board:

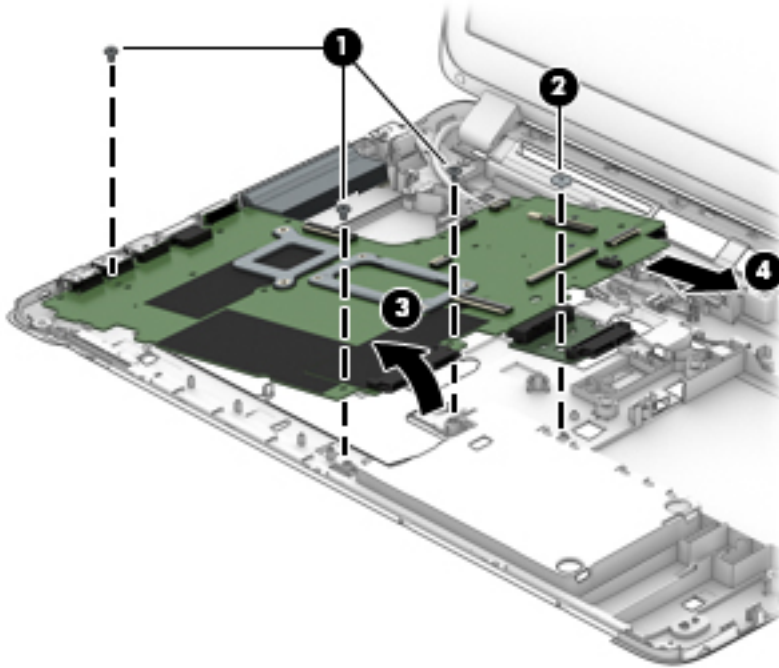
1. Position the computer upright with the front toward you.

2. Disconnect the following cables from the system board:
  - (1) Power connector cable
  - (2) Display cable
  - (3) Battery connector cable



3. Remove the 3 Phillips PM2.5×4.0 screws (1) that secure the system board and the broadhead Phillips PM2.0×3.0 screw (2) that secures the optical drive extension board to the computer.
4. Lift the right side of the system board up at an angle (3).

5. Pull the system board up and toward the right to remove it from the computer (4).



Reverse this procedure to install the system board.

## Optical drive extension board

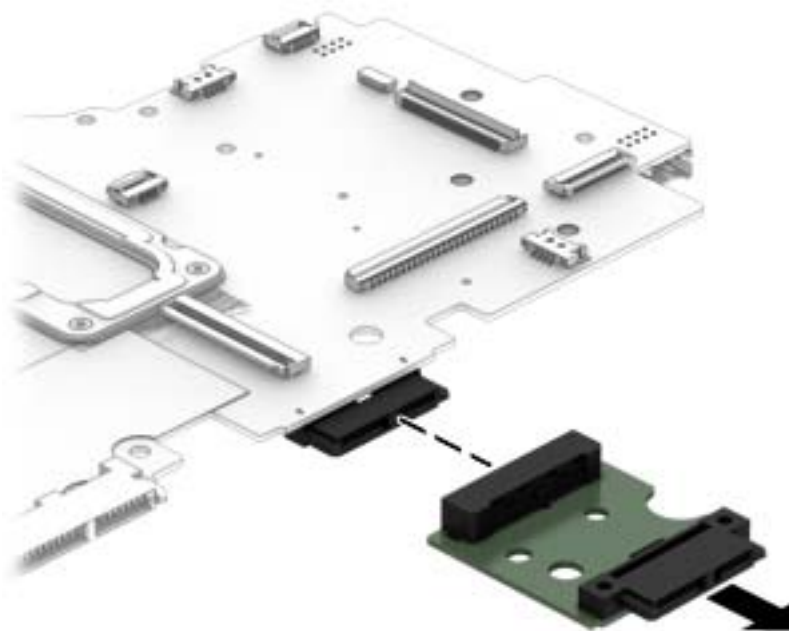
You must remove the system board to remove the optical drive extension board.

Before removing the optical drive extension board, follow these steps:

1. Shut down the computer. If you are unsure whether the computer is off or in Hibernation, turn the computer on, and then shut it down through the operating system.
2. Disconnect all external devices connected to the computer.
3. Disconnect the power from the computer by first unplugging the power cord from the AC outlet, and then unplugging the AC adapter from the computer.
4. Remove the battery (see [Battery on page 43](#)).
5. Remove the following components:
  - a. Service doors (see [Service door on page 44](#)).
  - b. Hard drive (see [Hard drive on page 46](#))
  - c. Optical drive (see [Optical drive on page 50](#))
  - d. WLAN module (see [WLAN/Bluetooth combo card on page 52](#))
  - e. WWAN module (see [WWAN module on page 54](#))
  - f. Keyboard (see [Keyboard on page 56](#))
  - g. Top cover (see [Top cover on page 64](#))
  - h. System board (see [System board on page 84](#))

Remove the optical drive extension board:

1. Position the system board upright.
2. Pull the optical drive extension board straight away from the side of the system board.



Reverse this procedure to install the optical drive extension board.

## RTC battery, HP 450 models

Description	Spare part number
RTC battery	738824-001

On HP 450 models, you must remove the system board to access the RTC battery.

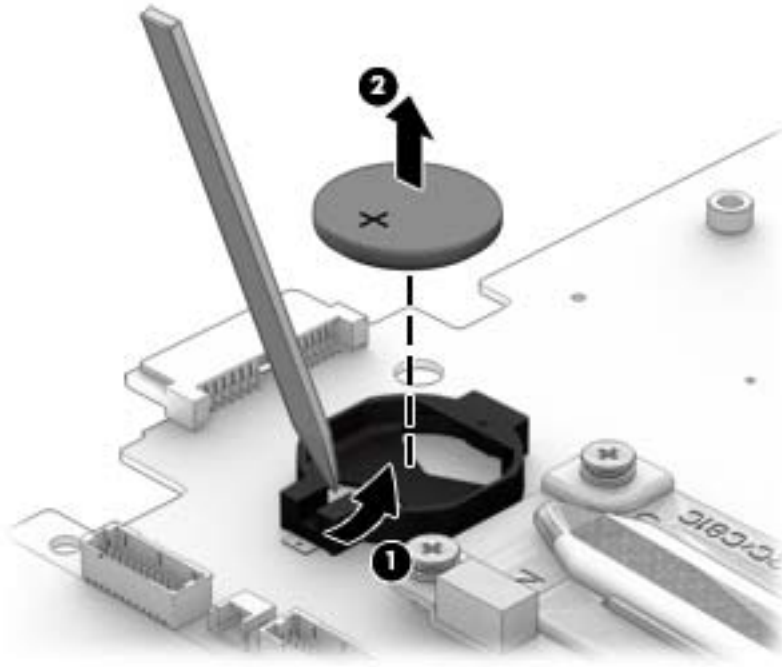
Before removing the RTC battery, follow these steps:

1. Shut down the computer. If you are unsure whether the computer is off or in Hibernation, turn the computer on, and then shut it down through the operating system.
2. Disconnect all external devices connected to the computer.
3. Disconnect the power from the computer by first unplugging the power cord from the AC outlet, and then unplugging the AC adapter from the computer.
4. Remove the battery (see [Battery on page 43](#)).
5. Remove the following components:
  - a. Service doors (see [Service door on page 44](#)).
  - b. Hard drive (see [Hard drive on page 46](#))
  - c. Optical drive (see [Optical drive on page 50](#))
  - d. Keyboard (see [Keyboard on page 56](#))
  - e. Top cover (see [Top cover on page 64](#))
  - f. System board (see [System board on page 84](#))

Remove the RTC battery:

1. Position the system board upside-down.
2. Using a flat tool, pry the battery out of the socket **(1)**.

3. Remove the battery from the socket (2).



Reverse this procedure to install the RTC battery.

## Heat sink assembly

All heat sink assembly spare part kits include replacement thermal material.

Description	Spare part number
<b>Heat sink assembly for use in HP 450 (Intel) models:</b>	
For use in models with UMA graphics	768048-001
For use in models with discrete graphics and all processors except for the Intel i7-4558U	768050-001
For use in models with discrete graphics and an Intel i7-4558U processor	768049-001
<b>Heat sink assembly for use in HP 455 (AMD) models:</b>	
For use in models with UMA graphics	767435-001
For use in models with discrete graphics	767434-001

Before removing the heat sink assembly, follow these steps:

1. Shut down the computer. If you are unsure whether the computer is off or in Hibernation, turn the computer on, and then shut it down through the operating system.
2. Disconnect all external devices connected to the computer.
3. Disconnect the power from the computer by first unplugging the power cord from the AC outlet, and then unplugging the AC adapter from the computer.
4. Remove the battery (see [Battery on page 43](#)).
5. Remove the following components:
  - a. Service doors (see [Service door on page 44](#)).
  - b. Hard drive (see [Hard drive on page 46](#))
  - c. Optical drive (see [Optical drive on page 50](#))
  - d. WLAN module (see [WLAN/Bluetooth combo card on page 52](#))
  - e. WWAN module (see [WWAN module on page 54](#))
  - f. Keyboard (see [Keyboard on page 56](#))
  - g. Top cover (see [Top cover on page 64](#))
  - h. System board (see [System board on page 84](#))

Remove the heat sink assembly:

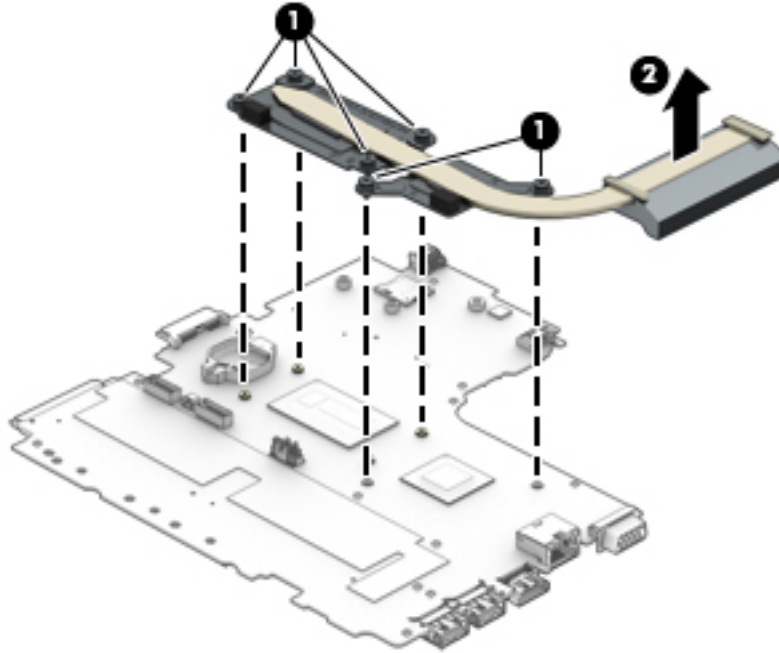
1. Position the system board upside-down.
2. Models are available with either UMA or discrete graphics. The heat sink on discrete models includes 2 additional screws. Refer to the following steps that match your model:


**Discrete models:**

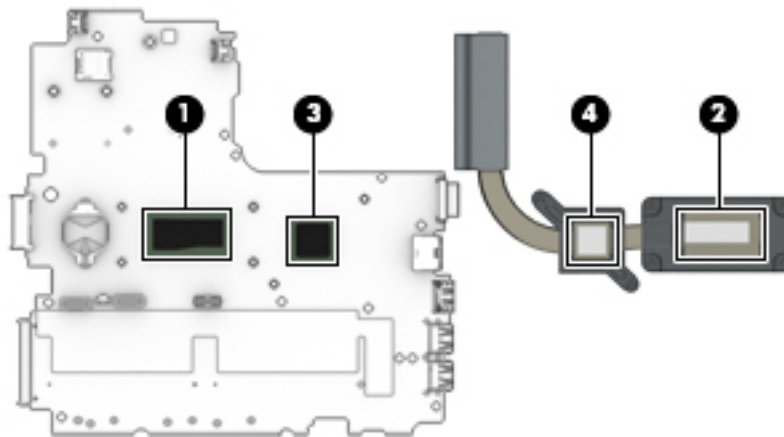
- a. To remove the discrete heat sink assembly, in the order indicated on the heat sink, loosen the 6 captive Phillips screws **(1)** that secure the heat sink to the system board.



- b. Lift the heat sink from the system board (2).



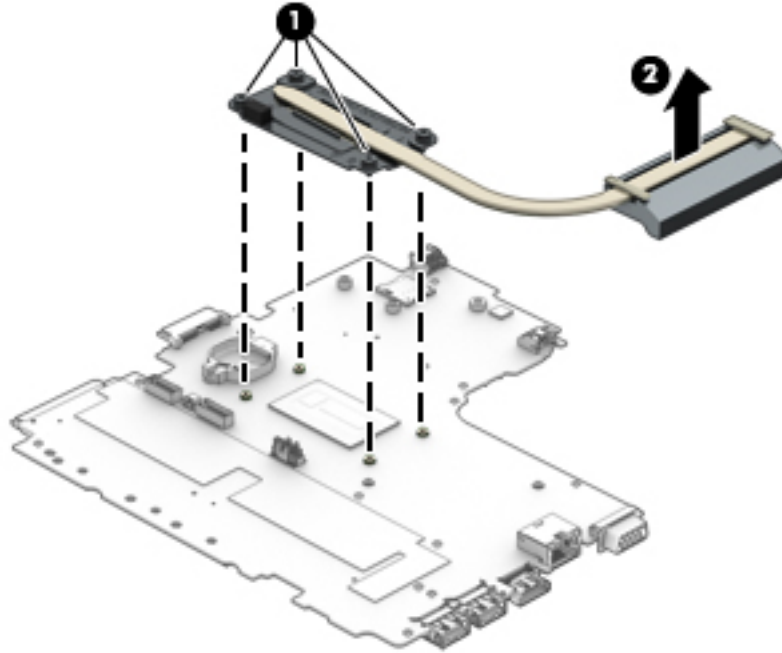
 **NOTE:** For discrete models, thoroughly clean thermal material from the surfaces of the system board components (1)(3) and the heat sink (2)(4) each time you remove the heat sink. All heat sink and processor spare part kits include thermal material.




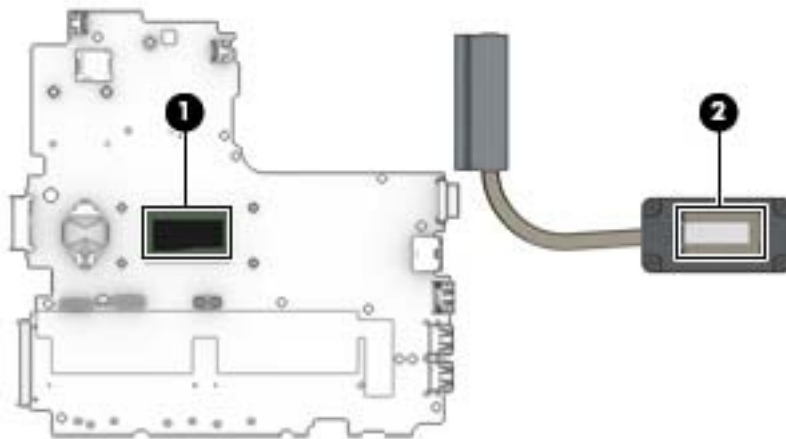
**UMA models:**

- a. To remove the UMA heat sink assembly, in the order indicated on the heat sink, loosen the 4 captive Phillips screws (1) that secure the heat sink to the system board.

- b. Lift the heat sink from the system board (2).



 **NOTE:** For UMA models, thoroughly clean thermal material from the surfaces of the system board component (1) and the heat sink (2) each time you remove the heat sink. All heat sink and processor spare part kits include thermal material.



Reverse this procedure to install the heat sink assembly.

## Display assembly

Description	Spare part number
Display panel, 39.6-cm (15.6-inch), HD, anti-glare, touch screen, one antenna	782121-001
Display panel, 39.6-cm (15.6-inch), HD, anti-glare, touch screen, two antennas	782122-001

This section describes removing the display assembly in its entirety and disassembling all the display subcomponents.

The entire display hinge-up is not spared.

If you only need to remove the display bezel, webcam/microphone module, or display panel, you do not need to remove the entire display assembly from the computer. See [Display subcomponents \(bezel, webcam, panel\) on page 60](#) for more information about removing the display subcomponents that do not require that you remove the entire display assembly from the computer.

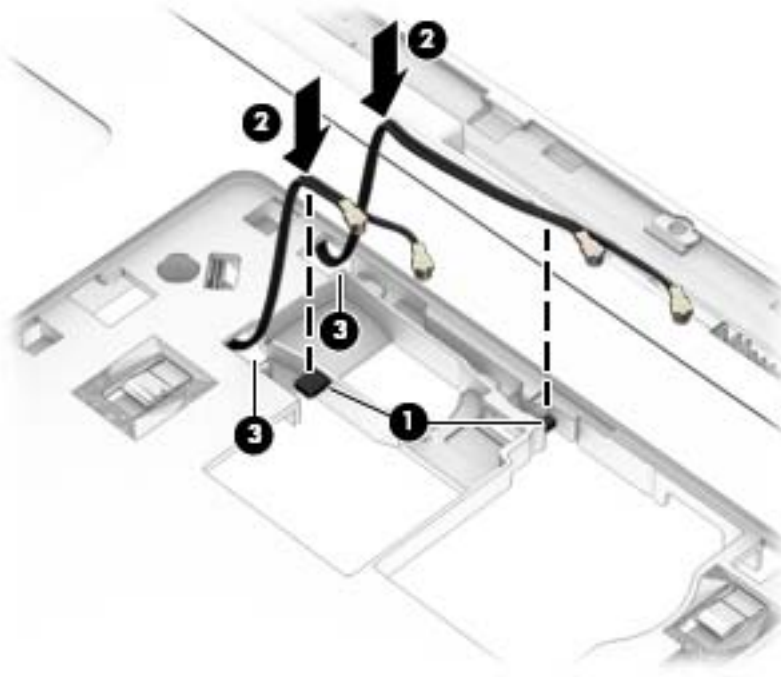
Before removing the display assembly, follow these steps:

1. Shut down the computer. If you are unsure whether the computer is off or in Hibernation, turn the computer on, and then shut it down through the operating system.
2. Disconnect all external devices connected to the computer.
3. Disconnect the power from the computer by first unplugging the power cord from the AC outlet, and then unplugging the AC adapter from the computer.
4. Remove the battery (see [Battery on page 43](#)).
5. Remove the following components:
  - a. Service doors (see [Service door on page 44](#)).
  - b. Hard drive (see [Hard drive on page 46](#))
  - c. Optical drive (see [Optical drive on page 50](#))
  - d. WLAN/Bluetooth combo card (see [WLAN/Bluetooth combo card on page 52](#))
  - e. WWAN module (see [WWAN module on page 54](#))
  - f. Keyboard (see [Keyboard on page 56](#))
  - g. Top cover (see [Top cover on page 64](#))

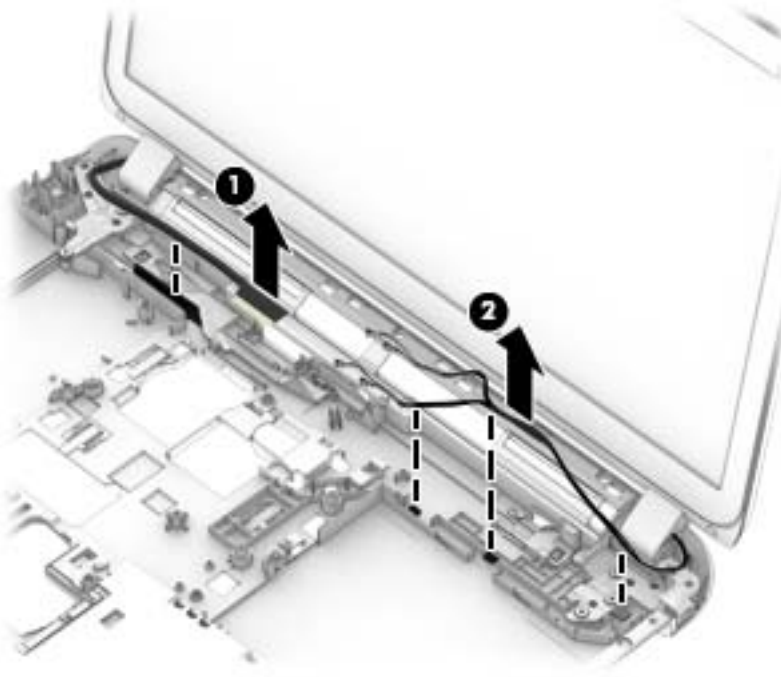
Remove the display assembly:

1. Position the computer upside down.

2. Pull the antenna cables through from the bottom of the computer. Position the computer upside down, and then remove the cables from the clips near the wireless modules (1), pulling the cables (2) through the holes (3) in the computer.

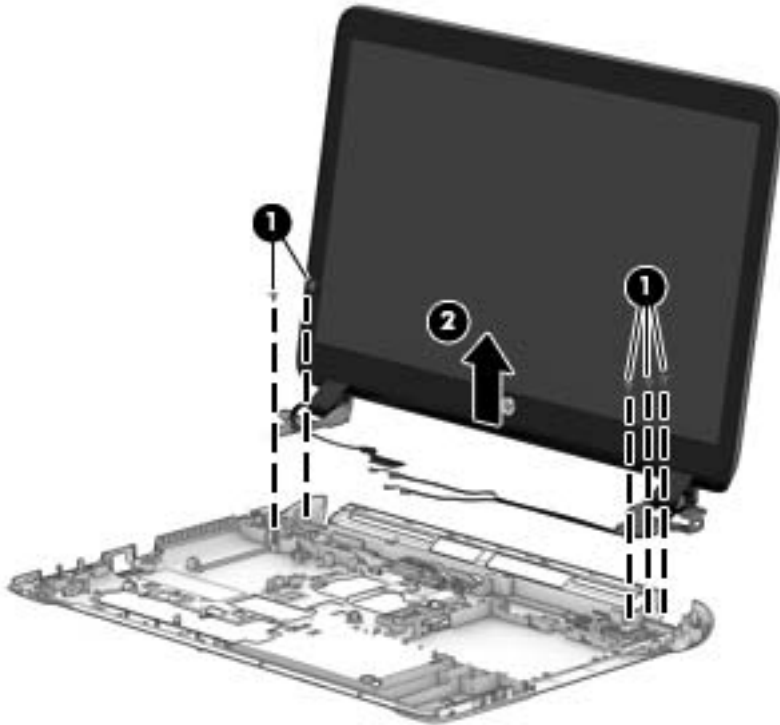


3. Position the computer upright and open.
4. Disconnect the display cable from the system board (1).
5. Remove the WLAN antennas and WWAN antennas (if equipped) from the routing path along the base of the computer (2).



6. Place the computer upright and open as far as possible.

7. Remove the 5 Phillips PM2.5×4.0 screws **(1)** from the display hinges.
8. Lift the display assembly straight up and remove it **(2)**.



---

**CAUTION:** When installing the display assembly, be sure that the wireless antenna cables are routed and arranged properly.

Failure to properly route the antennas can result in degradation of the computer's wireless performance.

9. If you need to remove the display bezel, remove the 2 mylar screw covers **(1)** and the 2 Phillips PM2.0×3.0 screws **(2)** in the bottom corners of the display bezel.
10. Flex the top **(3)** of the bezel, the inside edges of the left and right sides **(4)**, and then the bottom **(5)** of the bezel until it disengages from the display enclosure.

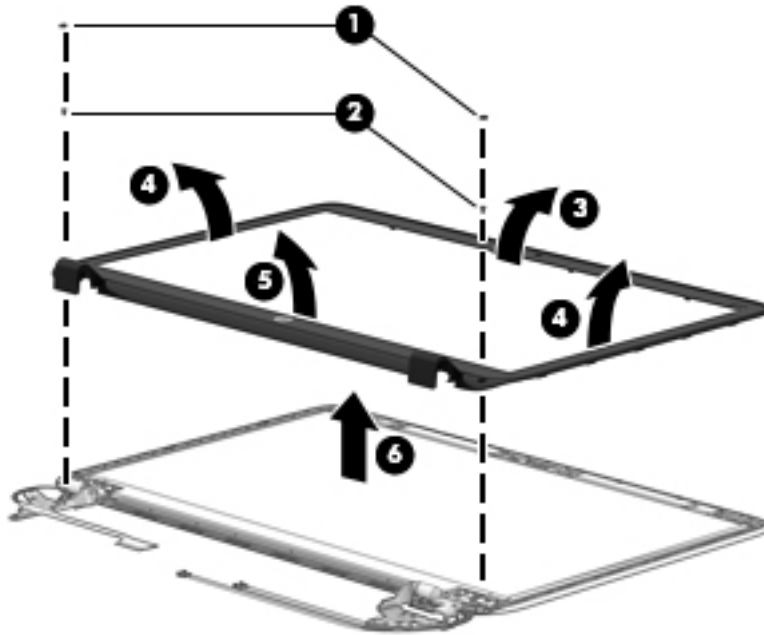
---

**NOTE:** Make sure the hinges are not bent (see hinge position in following image) when you remove the bezel.

---

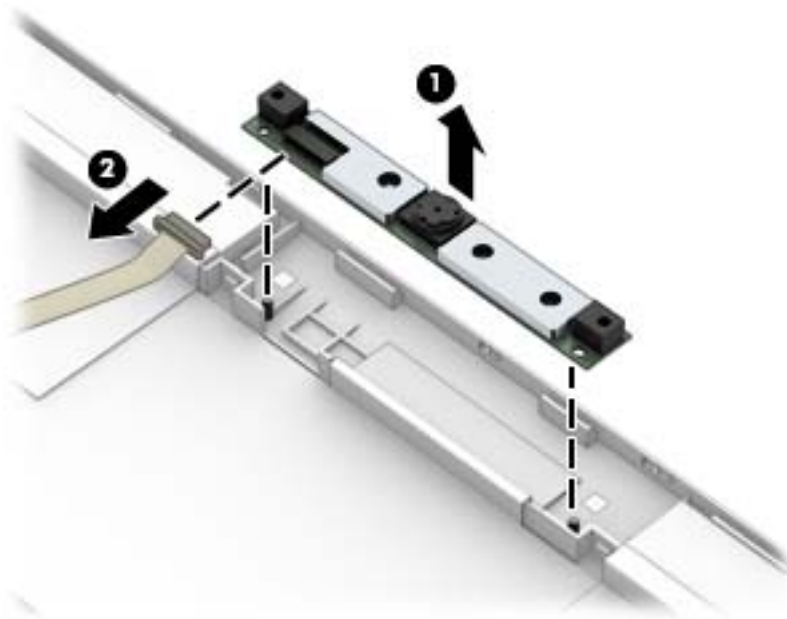
**11. Remove the display bezel (6).**

The display bezel is available using spare part number 768125-001 for models with a webcam and 768126-001 for models without a webcam. Display bezel mylar screw covers are available in the Rubber Kit, spare part number 768136-001.



**12. If it is necessary to replace the webcam or microphone module, gently pull the module away from the double-sided tape on the display enclosure (1), and then disconnect the cable from the module (2).**

The webcam module is available using spare part number 767457-001. The microphone module is available using spare part number 773563-001.



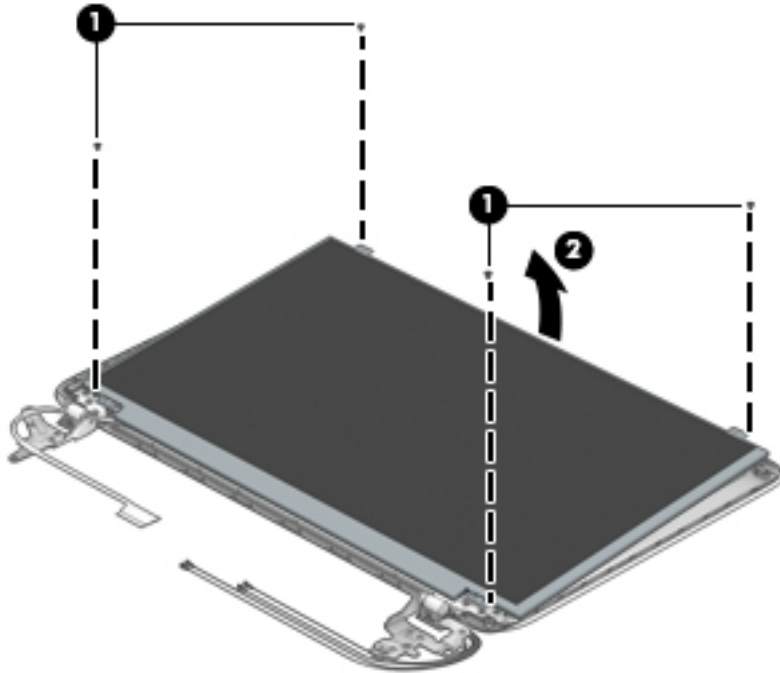
- 13.** If it is necessary to remove the display panel from the enclosure, remove the 4 Phillips PM2.0×3.0 screws **(1)** that secure the panel to the display enclosure, and then lift the top of the panel upward **(2)**.

The raw display panel is available using spare part numbers:

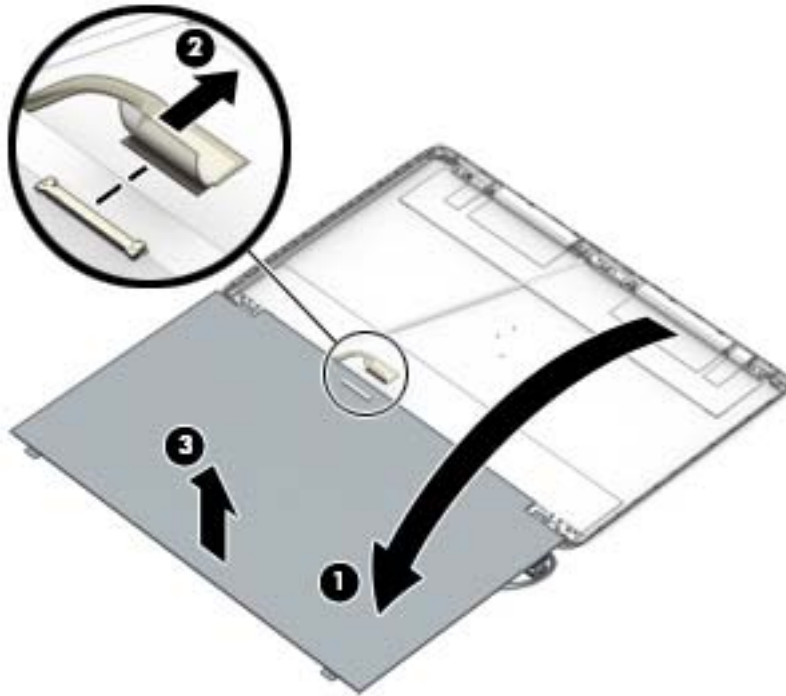
768135-001 for HD, flat panels in HP 450 models

768468-001 for FHD, slim panels on HP 450 models

773072-001 for HD, flat panels on HP 455 models

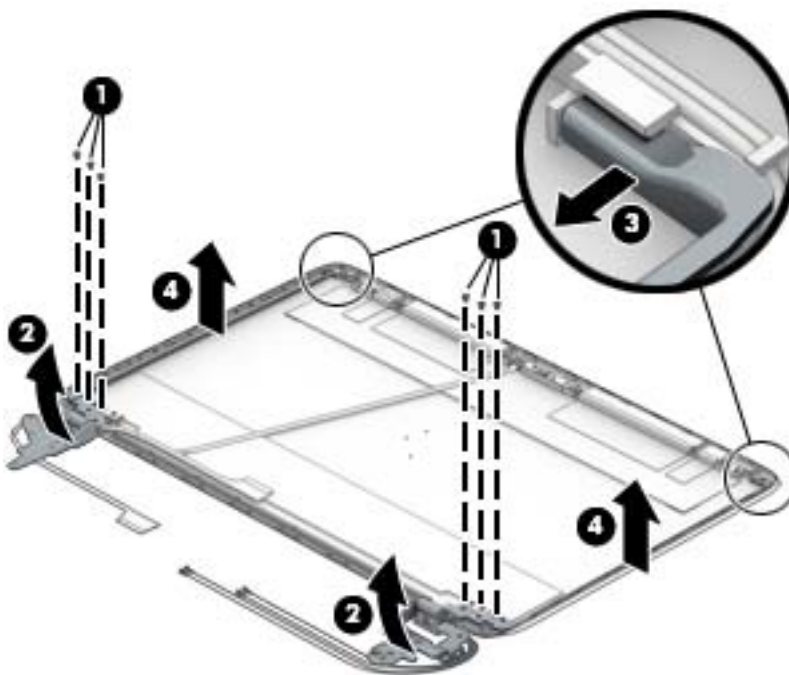


14. Rotate the display panel all the way over **(1)**, disconnect the display cable from the rear of the panel **(2)**, and then remove the display panel **(3)** from the enclosure.



15. If it is necessary to replace the display hinges, remove the 6 Phillips PM2.5×3.0 screws **(1)** that secure the display hinges to the display enclosure.
16. Lift the bottom of the hinges upward **(2)**, pull the top of the hinges out from under the tabs **(3)**, and then remove the display hinges from the display enclosure **(4)**.

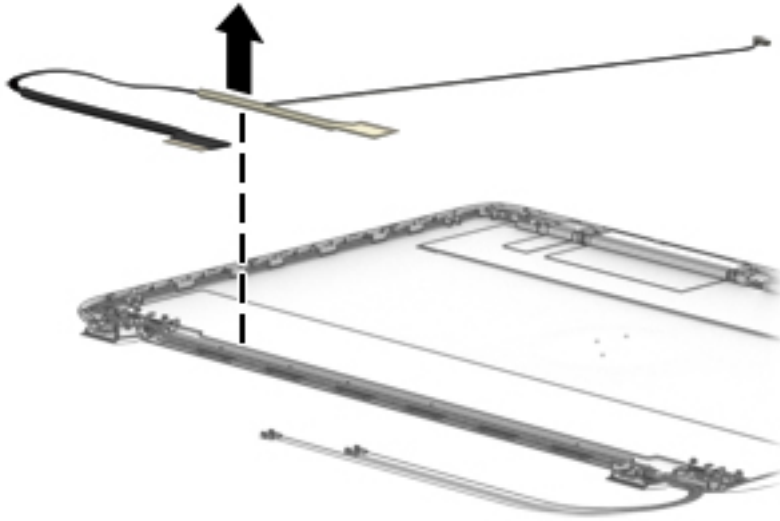
Display hinges are available in the Display Hinge Kit using spare part number 768129-001.





17. If it is necessary to replace the display/webcam cable, lift the display/webcam cable assembly straight up and off the display panel.

The display cable is available in the Cable Kit using spare part number 768127-001.



Reverse this procedure to reassemble and install the display assembly.

## Power connector and cable

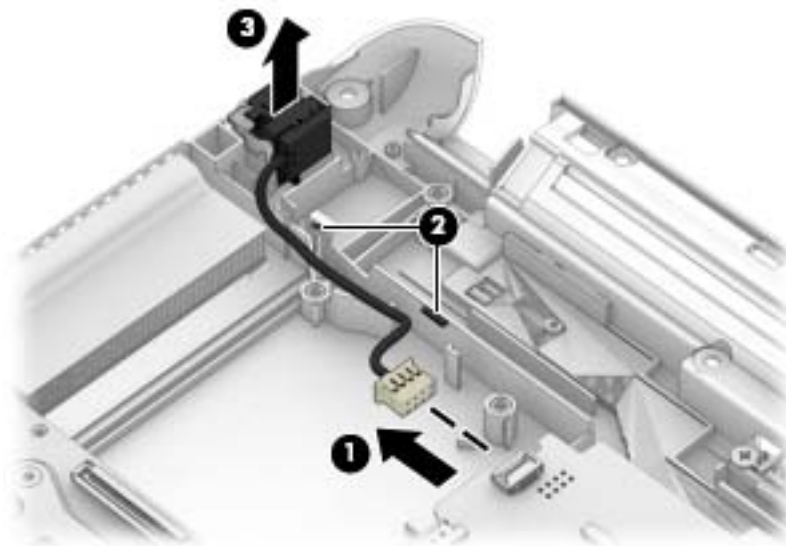
Description	Spare part number
Power connector and cable	767432-001

Before removing the power cable, follow these steps:

1. Shut down the computer. If you are unsure whether the computer is off or in Hibernation, turn the computer on, and then shut it down through the operating system.
2. Disconnect all external devices connected to the computer.
3. Disconnect the power from the computer by first unplugging the power cord from the AC outlet, and then unplugging the AC adapter from the computer.
4. Remove the battery (see [Battery on page 43](#)).
5. Remove the following components:
  - a. Service doors (see [Service door on page 44](#)).
  - b. Keyboard (see [Keyboard on page 56](#))
  - c. Hard drive ([Hard drive on page 46](#))
  - d. Optical drive ([Optical drive on page 50](#))
  - e. Top cover (see [Top cover on page 64](#))
  - f. Display assembly (see [Display assembly on page 95](#))

Remove the power cable:

1. Disconnect the cable from the bottom of the system board **(1)**.
2. Remove the cable from the clips built into the computer **(2)**, and then lift the power cable from the computer **(3)**.



Reverse this procedure to install the power cable.

---

# 7 Computer Setup (BIOS), MultiBoot, and HP PC Hardware Diagnostics (UEFI) in Windows 8.1

## Using Computer Setup

Computer Setup, or Basic Input/Output System (BIOS), controls communication between all the input and output devices on the system (such as disk drives, display, keyboard, mouse, and printer). Computer Setup includes settings for the types of devices installed, the startup sequence of the computer, and the amount of system and extended memory.


---

 **NOTE:** Use extreme care when making changes in Computer Setup. Errors can prevent the computer from operating properly.

---

## Starting Computer Setup

---

 **NOTE:** An external keyboard or mouse connected to a USB port can be used with Computer Setup only if USB legacy support is enabled.

---

To start Computer Setup, follow these steps:

1. Turn on or restart the computer, and then press **esc** while the “Press the ESC key for Startup Menu” message is displayed at the bottom of the screen.
2. Press **f10** to enter Computer Setup.

## Navigating and selecting in Computer Setup

To navigate and select in Computer Setup, follow these steps:

1. Turn on or restart the computer, and then press **esc** while the “Press the ESC key for Startup Menu” message is displayed at the bottom of the screen.

---

 **NOTE:** You can use either a pointing device (TouchPad, pointing stick, or USB mouse) or the keyboard to navigate and make selections in Computer Setup.

---

2. Press **f10** to enter Computer Setup.
  - To select a menu or a menu item, use the **tab** key and the keyboard arrow keys and then press **enter**, or use a pointing device to click the item.
  - To scroll up and down, click the up arrow or the down arrow in the upper-right corner of the screen, or use the up arrow key or the down arrow key on the keyboard.
  - To close open dialog boxes and return to the main Computer Setup screen, press **esc**, and then follow the on-screen instructions.

To exit Computer Setup menus, choose one of the following methods:

- To exit Computer Setup menus without saving your changes:  
Click the **Exit** icon in the lower-right corner of the screen, and then follow the on-screen instructions.

– or –

Use the arrow keys to select **Main > Ignore Changes and Exit**, and then press [enter](#).

- To save your changes and exit Computer Setup menus:

Click the **Save** icon in the lower-right corner of the screen, and then follow the on-screen instructions.

– or –

Use the arrow keys to select **Main > Save Changes and Exit**, and then press [enter](#).

Your changes go into effect when the computer restarts.

## Restoring factory settings in Computer Setup



**NOTE:** Restoring defaults will not change the hard drive mode.

To return all settings in Computer Setup to the values that were set at the factory, follow these steps:

1. Turn on or restart the computer, and then press [esc](#) while the “Press the ESC key for Startup Menu” message is displayed at the bottom of the screen.
2. Press [f10](#) to enter Computer Setup.
3. Use a pointing device or the arrow keys to select **Main > Restore Defaults**.
4. Follow the on-screen instructions.
5. To save your changes and exit, click the **Save** icon in the lower-right corner of the screen, and then follow the on-screen instructions.

– or –

Use the arrow keys to select **Main > Save Changes and Exit**, and then press [enter](#).

Your changes go into effect when the computer restarts.



**NOTE:** Your password settings and security settings are not changed when you restore the factory settings.

## Updating the BIOS

Updated versions of the BIOS may be available on the HP website.

Most BIOS updates on the HP website are packaged in compressed files called *SoftPaqs*.

Some download packages contain a file named *Readme.txt*, which contains information regarding installing and troubleshooting the file.

## Determining the BIOS version

To determine whether available BIOS updates contain later BIOS versions than those currently installed on the computer, you need to know the version of the system BIOS currently installed.

BIOS version information (also known as *ROM date* and *System BIOS*) can be revealed by pressing [fn+esc](#) (if you are already in Windows) or by using Computer Setup.


1. Start Computer Setup.
2. Use a pointing device or the arrow keys to select **Main > System Information**.
3. To exit Computer Setup without saving your changes, click the **Exit** icon in the lower-right corner of the screen, and then follow the on-screen instructions.

– or –

Use the arrow keys to select **Main > Ignore Changes and Exit**, and then press [enter](#).

## Downloading a BIOS update

---

 **CAUTION:** To reduce the risk of damage to the computer or an unsuccessful installation, download and install a BIOS update only when the computer is connected to reliable external power using the AC adapter. Do not download or install a BIOS update while the computer is running on battery power, docked in an optional USB docking device, or connected to an optional power source. During the download and installation, follow these instructions:

Do not disconnect power on the computer by unplugging the power cord from the AC outlet.

Do not shut down the computer or initiate Sleep.


Do not insert, remove, connect, or disconnect any device, cable, or cord.

---

1. From the Start screen, type `hp support assistant`, and then select the HP Support Assistant app.
2. Click **Updates and tune-ups**, and then click **Check for HP updates now**.
3. Follow the on-screen instructions.
4. At the download area, follow these steps:
  - a. Identify the most recent BIOS update and compare it to the BIOS version currently installed on your computer. Make a note of the date, name, or other identifier. You may need this information to locate the update later, after it has been downloaded to your hard drive.
  - b. Follow the on-screen instructions to download your selection to the hard drive.

If the update is more recent than your BIOS, make a note of the path to the location on your hard drive where the BIOS update is downloaded. You will need to access this path when you are ready to install the update.

---


 **NOTE:** If you connect your computer to a network, consult the network administrator before installing any software updates, especially system BIOS updates.

---

BIOS installation procedures vary. Follow any instructions that are revealed on the screen after the download is complete. If no instructions are revealed, follow these steps:

1. From the Start screen, type `file`, and then select **File Explorer**.
2. Click your hard drive designation. The hard drive designation is typically Local Disk (C:).
3. Using the hard drive path you recorded earlier, open the folder on your hard drive that contains the update.
4. Double-click the file that has an `.exe` extension (for example, `filename.exe`).  
The BIOS installation begins.
5. Complete the installation by following the on-screen instructions.

---

 **NOTE:** After a message on the screen reports a successful installation, you can delete the downloaded file from your hard drive.

---

# Using MultiBoot

## About the boot device order

As the computer starts, the system attempts to boot from enabled devices. The MultiBoot utility, which is enabled at the factory, controls the order in which the system selects a boot device. Boot devices can include optical drives, diskette drives, a network interface card (NIC), hard drives, and USB devices. Boot devices contain bootable media or files that the computer needs to start and operate properly.



**NOTE:** Some boot devices must be enabled in Computer Setup before they can be included in the boot order.

You can change the order in which the computer searches for a boot device by changing the boot order in Computer Setup. You can also press **esc** while the “Press the ESC key for Startup Menu” message is displayed at the bottom of the screen, and then press **f9**. Pressing **f9** displays a menu that shows the current boot devices and allows you to select a boot device. Or, you can use MultiBoot Express to set the computer to prompt you for a boot location each time the computer turns on or restarts.

## Choosing MultiBoot preferences

You can use MultiBoot in the following ways:

- To set a new boot order that the computer uses each time it is turned on, by changing the boot order in Computer Setup.
- To dynamically choose the boot device, by pressing **esc** while the “Press the ESC key for Startup Menu” message is displayed at the bottom of the screen, and then pressing **f9** to enter the Boot Device Options menu.
- To use MultiBoot Express to set variable boot orders. This feature prompts you for a boot device each time the computer is turned on or restarted.

## Setting a new boot order in Computer Setup

To start Computer Setup and set a boot device order that the computer uses each time it is turned on or restarted, follow these steps:

1. Turn on or restart the computer, and then press **esc** while the “Press the ESC key for Startup Menu” message is displayed at the bottom of the screen.
2. Press **f10** to enter Computer Setup.
3. Use a pointing device or the arrow keys to select one of the following options:
  - **Advanced > Boot Options > UEFI Boot Order > UEFI Hybrid**
  - **Advanced > Boot Options > UEFI Boot Order > UEFI Native Boot mode**
  - **Advanced > Boot Options > Legacy Boot Order > Legacy Boot Mode**Press **enter**.
4. To move the device up in the boot order, use a pointing device to click the up arrow, or press the **+** key.  
– or –

To move the device down in the boot order, use a pointing device to click the down arrow, or press the **-** key.

5. To save your changes and exit Computer Setup, click the **Save** icon in the lower-left corner of the screen, and then follow the on-screen instructions.

– or –

Use the arrow keys to select **Main > Save Changes and Exit**, and then press **enter**.

## Dynamically choosing a boot device using the f9 prompt

To dynamically choose a boot device for the current startup sequence, follow these steps:

1. Open the Select Boot Device menu by turning on or restarting the computer, and then pressing **esc** while the “Press the ESC key for Startup Menu” message is displayed at the bottom of the screen.
2. Press **f9**.
3. Use a pointing device or the arrow keys to select a boot device, then press **enter**.

## Setting a MultiBoot Express prompt

To start Computer Setup and set the computer to display the MultiBoot startup location menu each time the computer is started or restarted, follow these steps:

1. Turn on or restart the computer, and then press **esc** while the “Press the ESC key for Startup Menu” message is displayed at the bottom of the screen.
2. Press **f10** to enter Computer Setup.
3. Use a pointing device or the arrow keys to select **Advanced > Boot Options > MultiBoot Express Boot Popup Delay (Sec)**, and then press **enter**.
4. In the **MultiBoot Express Popup Delay (Sec)** field, enter the length of time in seconds that you want the computer to display the startup location menu before it defaults to the current MultiBoot setting. (When 0 is selected, the Express Boot startup location menu is not displayed.)
5. To save your changes and exit Computer Setup, click the **Save** icon in the lower-left corner of the screen, and then follow the on-screen instructions.

– or –

Use the arrow keys to select **Main > Save Changes and Exit**, and then press **enter**.

Your changes go into effect when the computer restarts.

## Entering MultiBoot Express preferences

When the Express Boot menu is displayed during startup, you have the following choices:

- To specify a boot device from the Express Boot menu, select your preference within the allotted time, and then press **enter**.
- To prevent the computer from defaulting to the current MultiBoot setting, press any key before the allotted time expires. The computer will not start until you select a boot device and press **enter**.
- To allow the computer to start according to the current MultiBoot settings, wait for the allotted time to expire.

## Using HP PC Hardware Diagnostics (UEFI)

HP PC Hardware Diagnostics is a Unified Extensible Firmware Interface (UEFI) that allows you to run diagnostic tests to determine whether the computer hardware is functioning properly. The tool runs outside the operating system so that it can isolate hardware failures from issues that are caused by the operating system or other software components.

To start HP PC Hardware Diagnostics UEFI:

1. Turn on or restart the computer, quickly press **esc**, and then press **f2**.

The BIOS searches three places for the diagnostic tools, in the following order:

- a. Connected USB drive



**NOTE:** To download the HP PC Hardware Diagnostics (UEFI) tool to a USB drive, see [Downloading HP PC Hardware Diagnostics \(UEFI\) to a USB device on page 108](#).

- b. Hard drive
- c. BIOS

2. When the diagnostic tool opens, use the keyboard arrow keys to select the type of diagnostic test you want to run, and then follow the on-screen instructions.



**NOTE:** If you need to stop a diagnostic test, press **esc**.

## Downloading HP PC Hardware Diagnostics (UEFI) to a USB device



**NOTE:** Instructions for downloading HP PC Hardware Diagnostics (UEFI) are provided in English only.

There are two options to download HP PC Hardware Diagnostics to USB device.

**Option 1: HP PC Diagnostics homepage**—Provides access to the latest UEFI version

1. Go to <http://www.hp.com/go/techcenter/pcdiags>.
2. Click the **UEFI Download** link, and then select **Run**.

**Option 2: Support and Drivers pages**—Provides downloads for a specific product for earlier and later versions.

1. Go to <http://www.hp.com>.
2. Point to Support, located at the top of the page, and then click **Download Drivers**.
3. In the text box, enter the product name, and then click **Go**.

– or –

Click **Find Now** to let HP automatically detect your product.

4. Select your computer model, and then select your operating system.
5. In the **Diagnostic** section, click **HP UEFI Support Environment**.
6. Click **Download**, and then select **Run**.



---

# 8 Computer Setup (BIOS), MultiBoot, and HP PC Hardware Diagnostics (UEFI) in Windows 7

## Using Computer Setup

Computer Setup, or Basic Input/Output System (BIOS), controls communication between all the input and output devices on the system (such as disk drives, display, keyboard, mouse, and printer). Computer Setup includes settings for the types of devices installed, the startup sequence of the computer, and the amount of system and extended memory.


---

 **NOTE:** Use extreme care when making changes in Computer Setup. Errors can prevent the computer from operating properly.

---

## Starting Computer Setup

---

 **NOTE:** An external keyboard or mouse connected to a USB port can be used with Computer Setup only if USB legacy support is enabled.

---

To start Computer Setup, follow these steps:

1. Turn on or restart the computer, and then press **esc** while the “Press the ESC key for Startup Menu” message is displayed at the bottom of the screen.
2. Press **f10** to enter Computer Setup.

## Navigating and selecting in Computer Setup

To navigate and select in Computer Setup, follow these steps:

1. Turn on or restart the computer, and then press **esc** while the “Press the ESC key for Startup Menu” message is displayed at the bottom of the screen.

---

 **NOTE:** You can use either a pointing device (TouchPad, pointing stick, or USB mouse) or the keyboard to navigate and make selections in Computer Setup.

---

2. Press **f10** to enter Computer Setup.
  - To select a menu or a menu item, use the **tab** key and the keyboard arrow keys and then press **enter**, or use a pointing device to click the item.
  - To scroll up and down, click the up arrow or the down arrow in the upper-right corner of the screen, or use the up arrow key or the down arrow key on the keyboard.
  - To close open dialog boxes and return to the main Computer Setup screen, press **esc**, and then follow the on-screen instructions.

To exit Computer Setup menus, choose one of the following methods:

- To exit Computer Setup menus without saving your changes:  
Click the **Exit** icon in the lower-right corner of the screen, and then follow the on-screen instructions.

– or –

Use the arrow keys to select **Main > Ignore Changes and Exit**, and then press [enter](#).

- To save your changes and exit Computer Setup menus:

Click the **Save** icon in the lower-right corner of the screen, and then follow the on-screen instructions.

– or –

Use the arrow keys to select **Main > Save Changes and Exit**, and then press [enter](#).

Your changes go into effect when the computer restarts.

## Restoring factory settings in Computer Setup



**NOTE:** Restoring defaults will not change the hard drive mode.

To return all settings in Computer Setup to the values that were set at the factory, follow these steps:

1. Turn on or restart the computer, and then press [esc](#) while the “Press the ESC key for Startup Menu” message is displayed at the bottom of the screen.
2. Press [f10](#) to enter Computer Setup.
3. Use a pointing device or the arrow keys to select **Main > Restore Defaults**.
4. Follow the on-screen instructions.
5. To save your changes and exit, click the **Save** icon in the lower-right corner of the screen, and then follow the on-screen instructions.

– or –

Use the arrow keys to select **Main > Save Changes and Exit**, and then press [enter](#).

Your changes go into effect when the computer restarts.



**NOTE:** Your password settings and security settings are not changed when you restore the factory settings.

## Updating the BIOS

Updated versions of the BIOS may be available on the HP website.

Most BIOS updates on the HP website are packaged in compressed files called *SoftPaqs*.

Some download packages contain a file named *Readme.txt*, which contains information regarding installing and troubleshooting the file.

## Determining the BIOS version

To determine whether available BIOS updates contain later BIOS versions than those currently installed on the computer, you need to know the version of the system BIOS currently installed.

BIOS version information (also known as *ROM date* and *System BIOS*) can be revealed by pressing [fn+esc](#) (if you are already in Windows) or by using Computer Setup.


1. Start Computer Setup.
2. Use a pointing device or the arrow keys to select **Main > System Information**.
3. To exit Computer Setup without saving your changes, click the **Exit** icon in the lower-right corner of the screen, and then follow the on-screen instructions.

– or –

Use the arrow keys to select **Main > Ignore Changes and Exit**, and then press [enter](#).

## Downloading a BIOS update

---

 **CAUTION:** To reduce the risk of damage to the computer or an unsuccessful installation, download and install a BIOS update only when the computer is connected to reliable external power using the AC adapter. Do not download or install a BIOS update while the computer is running on battery power, docked in an optional USB docking device, or connected to an optional power source. During the download and installation, follow these instructions:

Do not disconnect power on the computer by unplugging the power cord from the AC outlet.


Do not shut down the computer or initiate Sleep.

Do not insert, remove, connect, or disconnect any device, cable, or cord.

---

1. Access Help and Support by selecting **Start > Help and Support**.
2. Select **Updates and tune-ups**, and then select **Check for HP updates now**.
3. At the download area, follow these steps:
  - a. Identify the most recent BIOS update and compare it to the BIOS version currently installed on your computer. Make a note of the date, name, or other identifier. You may need this information to locate the update later, after it has been downloaded to your hard drive.
  - b. Follow the on-screen instructions to download your selection to the hard drive.  
  
If the update is more recent than your BIOS, make a note of the path to the location on your hard drive where the BIOS update is downloaded. You will need to access this path when you are ready to install the update.

---


 **NOTE:** If you connect your computer to a network, consult the network administrator before installing any software updates, especially system BIOS updates.

---

BIOS installation procedures vary. Follow any instructions that are revealed on the screen after the download is complete. If no instructions are revealed, follow these steps:

1. Select **Start > Computer**.
2. Click your hard drive designation. The hard drive designation is typically Local Disk (C:).
3. Using the hard drive path you recorded earlier, open the folder on your hard drive that contains the update.
4. Double-click the file that has an .exe extension (for example, *filename.exe*).  
  
The BIOS installation begins.
5. Complete the installation by following the on-screen instructions.

---

 **NOTE:** After a message on the screen reports a successful installation, you can delete the downloaded file from your hard drive.

---

# Using MultiBoot

## About the boot device order

As the computer starts, the system attempts to boot from enabled devices. The MultiBoot utility, which is enabled at the factory, controls the order in which the system selects a boot device. Boot devices can include optical drives, diskette drives, a network interface card (NIC), hard drives, and USB devices. Boot devices contain bootable media or files that the computer needs to start and operate properly.



**NOTE:** Some boot devices must be enabled in Computer Setup before they can be included in the boot order.

You can change the order in which the computer searches for a boot device by changing the boot order in Computer Setup. You can also press **esc** while the “Press the ESC key for Startup Menu” message is displayed at the bottom of the screen, and then press **f9**. Pressing **f9** displays a menu that shows the current boot devices and allows you to select a boot device. Or, you can use MultiBoot Express to set the computer to prompt you for a boot location each time the computer turns on or restarts.

## Choosing MultiBoot preferences

You can use MultiBoot in the following ways:

- To set a new boot order that the computer uses each time it is turned on, by changing the boot order in Computer Setup.
- To dynamically choose the boot device, by pressing **esc** while the “Press the ESC key for Startup Menu” message is displayed at the bottom of the screen, and then pressing **f9** to enter the Boot Device Options menu.
- To use MultiBoot Express to set variable boot orders. This feature prompts you for a boot device each time the computer is turned on or restarted.

## Setting a new boot order in Computer Setup

To start Computer Setup and set a boot device order that the computer uses each time it is turned on or restarted, follow these steps:

1. Turn on or restart the computer, and then press **esc** while the “Press the ESC key for Startup Menu” message is displayed at the bottom of the screen.
2. Press **f10** to enter Computer Setup.
3. Use a pointing device or the arrow keys to select the **Legacy Boot Order** list, and then press **enter**.
4. To move the device up in the boot order, use a pointing device to click the up arrow, or press the **+** key.  
– or –  
To move the device down in the boot order, use a pointing device to click the down arrow, or press the **-** key.
5. To save your changes and exit Computer Setup, click the **Save** icon in the lower-left corner of the screen, and then follow the on-screen instructions.  
– or –  
Use the arrow keys to select **Main > Save Changes and Exit**, and then press **enter**.

## Dynamically choosing a boot device using the f9 prompt

To dynamically choose a boot device for the current startup sequence, follow these steps:

1. Open the Select Boot Device menu by turning on or restarting the computer, and then pressing **esc** while the “Press the ESC key for Startup Menu” message is displayed at the bottom of the screen.
2. Press **f9**.
3. Use a pointing device or the arrow keys to select a boot device, then press **enter**.

## Setting a MultiBoot Express prompt

To start Computer Setup and set the computer to display the MultiBoot startup location menu each time the computer is started or restarted, follow these steps:

1. Turn on or restart the computer, and then press **esc** while the “Press the ESC key for Startup Menu” message is displayed at the bottom of the screen.
2. Press **f10** to enter Computer Setup.
3. Use a pointing device or the arrow keys to select **System Configuration > Boot Options**, and then press **enter**.
4. In the **MultiBoot Express Popup Delay (Sec)** field, enter the length of time in seconds that you want the computer to display the startup location menu before it defaults to the current MultiBoot setting. (When 0 is selected, the Express Boot startup location menu is not displayed.)
5. To save your changes and exit Computer Setup, click the **Save** icon in the lower-left corner of the screen, and then follow the on-screen instructions.

– or –

Use the arrow keys to select **Main > Save Changes and Exit**, and then press **enter**.

Your changes go into effect when the computer restarts.

## Entering MultiBoot Express preferences

When the Express Boot menu is displayed during startup, you have the following choices:

- To specify a boot device from the Express Boot menu, select your preference within the allotted time, and then press **enter**.
- To prevent the computer from defaulting to the current MultiBoot setting, press any key before the allotted time expires. The computer will not start until you select a boot device and press **enter**.
- To allow the computer to start according to the current MultiBoot settings, wait for the allotted time to expire.

## Using HP PC Hardware Diagnostics (UEFI) (select models only)

HP PC Hardware Diagnostics is a Unified Extensible Firmware Interface (UEFI) that allows you to run diagnostic tests to determine if the computer hardware is functioning properly. The tool runs outside of the operating system to isolate hardware failures from issues that may be caused by the operating system or other software components.

To start HP PC Hardware Diagnostics UEFI:

1. Turn on or restart the computer, quickly press **esc**, and then press **f2**.

After pressing **f2**, the BIOS searches three places for the HP PC Hardware Diagnostics (UEFI) tools in the following order:

- a. Connected USB drive



**NOTE:** To download the HP PC Hardware Diagnostics (UEFI) tool to a USB drive, see [Downloading HP PC Hardware Diagnostics \(UEFI\) to a USB device on page 114](#).

- b. Hard drive
- c. BIOS

2. Use the keyboard arrow keys to select the type of diagnostic test you want to run, and then follow the on-screen instructions.



**NOTE:** If you need to stop a diagnostic test while it is running, press **esc**.

## Downloading HP PC Hardware Diagnostics (UEFI) to a USB device



**NOTE:** Instructions for downloading HP PC Hardware Diagnostics (UEFI) are provided in English only.

There are two options to download HP PC Hardware Diagnostics to USB device.

**Option 1: HP PC Diagnostics homepage**—Provides access to the latest UEFI version

1. Go to <http://www.hp.com/go/techcenter/pcdiags>.
2. Click the **UEFI Download** link, and then select **Run**.

**Option 2: Support and Drivers pages**—Provides downloads for a specific product for earlier and later versions.

1. Go to <http://www.hp.com>.
2. Point to Support, located at the top of the page, and then click **Download Drivers**.
3. In the text box, enter the product name, and then click **Go**.

– or –

Click **Find Now** to let HP automatically detect your product.

4. Select your computer model, and then select your operating system.
5. In the **Diagnostic** section, click **HP UEFI Support Environment**.
6. Click **Download**, and then select **Run**.

---

# 9 Computer Setup (BIOS) and HP PC Hardware Diagnostics (UEFI) in Ubuntu Linux

Computer Setup, or Basic Input/Output System (BIOS), controls communication between all the input and output devices on the system (such as disk drives, display, keyboard, mouse, and printer). Computer Setup includes settings for the types of peripherals installed, the startup sequence of the computer, and the amount of system and extended memory.


---

 **NOTE:** Use extreme care when making changes in Computer Setup. Errors can prevent the computer from operating properly.

---

## Starting Computer Setup

---

 **NOTE:** An external keyboard or mouse connected to a USB port can be used with Computer Setup only if USB legacy support is enabled.

---

To start Computer Setup, follow these steps:

1. Turn on or restart the computer, and then press **esc** while the “Press the ESC key for Startup Menu” message is displayed at the bottom of the screen.
2. Press **f10** to enter Computer Setup.

## Using Computer Setup

### Navigating and selecting in Computer Setup

To navigate and select in Computer Setup, follow these steps:

1. Turn on or restart the computer, and then press **esc** while the “Press the ESC key for Startup Menu” message is displayed at the bottom of the screen.
  - To select a menu or a menu item, use the **tab** key and the keyboard arrow keys and then press **enter**, or use a pointing device to click the item.
  - To scroll up and down, click the up arrow or the down arrow in the upper-right corner of the screen, or use the up arrow key or the down arrow key.
  - To close open dialog boxes and return to the main Computer Setup screen, press **esc**, and then follow the on-screen instructions.

---

 **NOTE:** You can use either a pointing device (TouchPad, pointing stick, or USB mouse) or the keyboard to navigate and make selections in Computer Setup.

---

2. Press **f10** to enter Computer Setup.

To exit Computer Setup menus, choose one of the following methods:

- To exit Computer Setup menus without saving your changes, click the **Exit** icon in the lower-left corner of the screen, and then follow the on-screen instructions.

– or –

Use the arrow keys to select **Main > Ignore Changes and Exit**, and then press [enter](#).

– or –

- To save your changes and exit Computer Setup menus, click the **Save** icon in the lower-left corner of the screen, and then follow the on-screen instructions.


– or –

Use the arrow keys to select **Main > Save Changes and Exit**, and then press [enter](#).

Your changes go into effect when the computer restarts.

## Restoring factory settings in Computer Setup

---

 **NOTE:** Restoring defaults will not change the hard drive mode.

---

To return all settings in Computer Setup to the values that were set at the factory, follow these steps:


1. Turn on or restart the computer, and then press [esc](#) while the “Press the ESC key for Startup Menu” message is displayed at the bottom of the screen.
2. Press [f10](#) to enter Computer Setup.
3. Use a pointing device or the arrow keys to select **Main > Restore Defaults**.
4. Follow the on-screen instructions.
5. To save your changes and exit, click the **Save** icon in the lower-left corner of the screen, and then follow the on-screen instructions.

– or –

Use the arrow keys to select **Main > Save Changes and Exit**, and then press [enter](#).

Your changes go into effect when the computer restarts.

---

 **NOTE:** Your password settings and security settings are not changed when you restore the factory settings.

---

## Updating the BIOS

Updated versions of the BIOS may be available on the HP Web site.

Most BIOS updates on the HP Web site are packaged in compressed files called *SoftPaqs*.

Some download packages contain a file named *Readme.txt*, which contains information regarding installing and troubleshooting the file.

## Determining the BIOS version

To determine whether available BIOS updates contain later BIOS versions than those currently installed on the computer, you need to know the version of the system BIOS currently installed.

BIOS version information (also known as *ROM date* and *System BIOS*) can be revealed as follows:

1. Start Computer Setup.
2. Use a pointing device or the arrow keys to select **Main > System Information**.
3. To exit Computer Setup without saving your changes, click the **Exit** icon in the lower-left corner of the screen, and then follow the on-screen instructions.

– or –



Use the arrow keys to select **Main > Ignore Changes and Exit**, and then press [enter](#).



**NOTE:** You can also determine the BIOS version by turning on or restarting the computer, pressing the [esc](#) key while the “Press the ESC key for Startup Menu” message is displayed at the bottom of the screen, and then pressing the [f1](#) key. Follow the on-screen instructions to exit this screen.

## Downloading a BIOS update



**CAUTION:** To reduce the risk of damage to the computer or an unsuccessful installation, download and install a BIOS update only when the computer is connected to reliable external power using the AC adapter. Do not download or install a BIOS update while the computer is running on battery power, docked in an optional docking device, or connected to an optional power source. During the download and installation, follow these instructions:

Do not disconnect power from the computer by unplugging the power cord from the AC outlet.

Do not shut down the computer or initiate Suspend or Hibernation.

Do not insert, remove, connect, or disconnect any device, cable, or cord.

1. Open your web browser. For U.S. support, go to <http://www.hp.com/go/contactHP>. For worldwide support, go to [http://welcome.hp.com/country/us/en/wwcontact\\_us.html](http://welcome.hp.com/country/us/en/wwcontact_us.html).
2. Follow the on-screen instructions to identify your computer and access the BIOS update you want to download.
3. Click the option for software and driver downloads, type your computer model number in the product box, and then press [enter](#). Follow the on-screen instructions to identify your computer and access the BIOS update you want to download.
4. Click your specific product from the models listed.
5. Click the appropriate operating system.
6. Go to the BIOS section and download the BIOS software package.
7. Follow the installation instructions as provided with the downloaded BIOS software package.



**NOTE:** After a message on the screen reports a successful installation, you can delete the downloaded file from your hard drive.

## Using HP PC Hardware Diagnostics (UEFI)

HP PC Hardware Diagnostics is a Unified Extensible Firmware Interface (UEFI) that allows you to run diagnostic tests to determine whether the computer hardware is functioning properly. The tool runs outside the operating system so that it can isolate hardware failures from issues that are caused by the operating system or other software components.


To start HP PC Hardware Diagnostics UEFI:

1. Turn on or restart the computer, quickly press [esc](#), and then press [F2](#).

The BIOS searches two places for the diagnostic tools, in the following order:

- a. Connected USB drive

---


 **NOTE:** To download the HP PC Hardware Diagnostics (UEFI) tool to a USB drive, see [Downloading HP PC Hardware Diagnostics \(UEFI\) to a USB device on page 118](#).

---

b. BIOS

2. When the diagnostic tool opens, use the keyboard arrow keys to select the type of diagnostic test you want to run, and then follow the on-screen instructions.


---

 **NOTE:** If you need to stop a diagnostic test, press `esc`.

---

## Downloading HP PC Hardware Diagnostics (UEFI) to a USB device

---

 **NOTE:** Instructions for downloading HP PC Hardware Diagnostics (UEFI) are provided in English only.

---

There are two options to download HP PC Hardware Diagnostics to USB device.

**Option 1: HP PC Diagnostics homepage**—Provides access to the latest UEFI version

1. Go to <http://www.hp.com/go/techcenter/pcdiags>.
2. Click the **UEFI Download** link, and then select **Run**.

**Option 2: Support and Drivers pages**—Provides downloads for a specific product for earlier and later versions.

1. Go to <http://www.hp.com>.
2. Point to Support, located at the top of the page, and then click **Download Drivers**.
3. In the text box, enter the product name, and then click **Go**.

– or –

Click **Find Now** to let HP automatically detect your product.


4. Select your computer model, and then select your operating system.
5. In the **Diagnostic** section, click **HP UEFI Support Environment**.
6. Click **Download**, and then select **Run**.

---


# 10 Backup and recovery in Windows 8.1

To protect your information, use Windows backup and restore utilities to back up individual files and folders, back up your entire hard drive, create system repair media (select models only) by using the installed optical drive (select models only) or an optional external optical drive, or create system restore points. In case of system failure, you can use the backup files to restore the contents of your computer.

From the Start screen, type `restore`, click **Settings**, and then select from the list of displayed options.

 **NOTE:** For detailed instructions on various backup and restore options, perform a search for these topics in Windows Help and Support.

In case of system instability, HP recommends that you print the recovery procedures and save them for later use.

 **NOTE:** Windows includes the User Account Control feature to improve the security of your computer. You may be prompted for your permission or password for tasks such as installing software, running utilities, or changing Windows settings. For more information, see Windows Help and Support.

---

## Backing up your information


Recovery after a system failure is as good as your most recent backup. You should create system repair media and your initial backup immediately after initial system setup. As you add new software and data files, you should continue to back up your system on a regular basis to maintain a reasonably current backup.

For more information on the Windows backup features, see Windows Help and Support.

## Performing a system recovery

In case of system failure or instability, the computer provides the following tools to recover your files:

- **Windows recovery tools:** You can use Windows Backup and Restore to recover information you have previously backed up. You can also use Windows Automatic Repair to fix problems that might prevent Windows from starting correctly.
- **f11 recovery tools:** You can use the [f11](#) recovery tools to recover your original hard drive image. The image includes the Windows operating system and software programs installed at the factory.

 **NOTE:** If you are unable to boot (start up) your computer and you cannot use the system repair media you previously created (select models only), you must purchase Windows operating system media to reboot the computer and repair the operating system. For additional information, see [Using Windows operating system media \(purchased separately\) on page 121](#).


---

## Using the Windows recovery tools

To recover information you previously backed up, see Windows Help and Support for steps on restoring files and folders.

To recover your information using Automatic Repair, follow these steps:

---

 **CAUTION:** Some Startup Repair options will completely erase and reformat the hard drive. All files you have created and any software installed on the computer are permanently removed. When reformatting is complete, the recovery process restores the operating system, as well as the drivers, software, and utilities from the backup used for recovery.


---

1. If possible, back up all personal files.
2. If possible, check for the presence of the Recovery Image partition and the Windows partition.

From the Start screen, type `file`, and then click **File Explorer**.


– or –

From the Start screen, type `pc`, and then select **This PC**.

 **NOTE:** If the Windows partition and the Recovery Image partition are not listed, you must recover your operating system and programs using the Windows operating system DVD and the *Driver Recovery* media (both purchased separately). For additional information, see [Using Windows operating system media \(purchased separately\) on page 121](#).

---


3. If the Windows partition and the Recovery Image partition are listed, restart the computer by pressing and holding the `shift` key while clicking **Restart**.
4. Select **Troubleshoot**, then select **Advanced Options**, and then select **Startup Repair**.
5. Follow the on-screen instructions.

 **NOTE:** For additional information on recovering information using the Windows tools, perform a search for these topics in Windows Help and Support.

---

## Using f11 recovery tools


---

 **CAUTION:** Using `f11` completely erases hard drive contents and reformats the hard drive. All files that you have created and any software that you have installed on the computer are permanently removed. The `f11` recovery tool reinstalls the operating system and HP programs and drivers that were installed at the factory. Software not installed at the factory must be reinstalled.

---

To recover the original hard drive image using `f11`:

1. If possible, back up all personal files.
2. If possible, check for the presence of the Recovery Image partition: From the Start screen, type `pc`, and then select **This PC**.


 **NOTE:** If the Recovery Image partition is not listed, you must recover your operating system and programs using the Windows operating system media and the *Driver Recovery* media (both purchased separately). For additional information, see [Using Windows operating system media \(purchased separately\) on page 121](#).

---


3. If the Recovery Image partition is listed, restart the computer, and then press `esc` while the “Press the ESC key for Startup Menu” message is displayed at the bottom of the screen.
4. Press `f11` while the “Press <F11> for recovery” message is displayed on the screen.
5. Follow the on-screen instructions.

## Using Windows operating system media (purchased separately)

To order a Windows operating system DVD, contact support. See the *Worldwide Telephone Numbers* booklet included with the computer. You can also find contact information from the HP website. Go to <http://www.hp.com/support>, select your country or region, and follow the on-screen instructions.

 **CAUTION:** Using a Windows operating system media completely erases hard drive contents and reformats the hard drive. All files that you have created and any software that you have installed on the computer are permanently removed. When reformatting is complete, the recovery process helps you restore the operating system, as well as drivers, software, and utilities.

To initiate a full install of the operating system using a Windows operating system DVD:

 **NOTE:** This process takes several minutes.

1. If possible, back up all personal files.
2. Insert the Windows operating system DVD into the optical drive, and then restart the computer.
3. When prompted, press any keyboard key.
4. Follow the on-screen instructions.

After the installation is completed:

1. Eject the Windows operating system media and then insert the *Driver Recovery* media.
2. Install the Hardware Enabling Drivers first, and then install Recommended Applications.

## Using Windows Refresh or Windows Reset

When your computer is not working properly and you need to regain system stability, the Windows Refresh option allows you to start fresh and keep what is important to you.

The Windows Reset option allows you to perform detailed reformatting of your computer, or remove personal information before you give away or recycle your computer. For more information on these features, see Windows Help and Support.

## Using HP Software Setup

HP Software Setup can be used to reinstall drivers or select software that has been corrupted or deleted from the system.

1. From the Start screen, type `HP Software Setup`.
2. Open HP Software Setup.
3. Follow the on-screen directions to reinstall drivers or select software.

---

# 11 Backup and recovery in Windows 7

Your computer includes HP and Windows tools to help you safeguard your information and retrieve it if you ever need to. These tools will help you return your computer to a proper working state, all with simple steps. This section provides information about the following processes:


- Creating recovery media and backups
- Restoring and recovering your system


## Creating recovery media and backups

Recovery after a system failure is only as good as your most recent backup.

1. After you successfully set up the computer, create HP Recovery media. This step creates a Windows 7 operating system DVD and a *Driver Recovery* DVD. The Windows DVD can be used to reinstall the original operating system in cases where the hard drive is corrupted or has been replaced. The *Driver Recovery* DVD installs specific drivers and applications. See [Creating recovery media with HP Recovery Disc Creator on page 122](#).
2. Use Windows Backup and Recovery tools to perform the following:
  - Back up individual files and folders
  - Back up your entire hard drive (select models only)
  - Create system repair discs (select models only) with the installed optical drive (select models only) or an optional external optical drive
  - Create system restore points

---

 **NOTE:** This guide describes an overview of backing up, restoring, and recovering options. For more details about the tools provided, see Help and Support. To access Help and Support, select **Start > Help and Support**.

 **NOTE:** HP recommends that you print the recovery procedures and save them for later use, in case of system instability.

---

In case of system failure, you can use the backup files to restore the contents of your computer. See [Backing up your information on page 123](#).

## Guidelines

- When creating recovery media or backing up to discs, use any of the following types of discs (purchased separately): DVD+R, DVD+R DL, DVD-R, DVD-R DL, or DVD±RW. The discs you use will depend on the type of optical drive you are using.
- Be sure that the computer is connected to AC power before you start the recovery media creation process or the backup process.

## Creating recovery media with HP Recovery Disc Creator


HP Recovery Disc Creator is a software program that offers an alternative way to create recovery media. After you successfully set up the computer, you can create recovery media using HP Recovery Disc Creator. This recovery media allows you to reinstall your original operating system as well as select drivers and

applications if the hard drive becomes corrupted. HP Recovery Disc Creator can create two kinds of recovery DVDs:

- Windows 7 operating system DVD—Installs the operating system without additional drivers or applications.
- *Driver Recovery* DVD—Installs specific drivers and applications only, in the same way that the HP Software Setup utility installs drivers and applications.

## Creating recovery media

---

 **NOTE:** The Windows 7 operating system DVD can be created only once. Thereafter, the option to create that media will not be available after you create a Windows DVD.

---

To create the Windows DVD:

1. Select **Start > All Programs > Productivity and Tools > HP Recovery Disc Creator**.
2. Select **Windows disk**.
3. From the drop-down menu, select the drive for burning the recovery media.
4. Click the **Create** button to start the burning process.

After the Windows 7 operating system DVD has been created, create the *Driver Recovery* DVD:

1. Select **Start > All Programs > Productivity and Tools > HP Recovery Disc Creator**.
2. Select **Driver disk**.
3. From the drop-down menu, select the drive for burning the recovery media.
4. Click the **Create** button to start the burning process.

## Backing up your information

You should create system repair media and your initial backup immediately after initial system setup. As you add new software and data files, you should continue to back up your system on a regular basis to maintain a reasonably current backup. You should also create Windows system repair media (select models only) which can be used to start up (boot) the computer and repair the operating system in case of system instability or failure. Your initial and subsequent backups allow you to restore your data and settings if a failure occurs.


You can back up your information to an optional external hard drive, a network drive, or discs.

Note the following when backing up:

- Store personal files in the Documents library, and back it up regularly.
- Back up templates that are stored in their associated directories.
- Save customized settings that appear in a window, toolbar, or menu bar by taking a screen shot of your settings. The screen shot can be a time-saver if you have to reset your preferences.
- When backing up to discs, number each disc after removing it from the drive.

---


 **NOTE:** For detailed instructions on various backup and restore options, perform a search for these topics in Help and Support. To access Help and Support, select **Start > Help and Support**.

 **NOTE:** Windows includes the User Account Control feature to improve the security of your computer. You may be prompted for your permission or password for tasks such as installing software, running utilities, or changing Windows settings. Refer to Help and Support. To access Help and Support, select **Start > Help and Support**.

---

To create a backup using Windows Backup and Restore:

---

 **NOTE:** The backup process may take over an hour, depending on file size and the speed of the computer.

---


1. Select **Start > All Programs > Maintenance > Backup and Restore**.
2. Follow the on-screen instructions to set up your backup, create a system image (select models only), or create system repair media (select models only).

## Performing a system recovery

In case of system failure or instability, the computer provides the following tools to recover your files:

- Windows recovery tools: You can use Windows Backup and Restore to recover information you have previously backed up. You can also use Windows Startup Repair to fix problems that might prevent Windows from starting correctly.
- **f11** recovery tools (select models only): You can use the **f11** recovery tools to recover your original hard drive image. The image includes the Windows operating system and software programs installed at the factory.

---

 **NOTE:** If you are unable to boot (start up) your computer and you cannot use the system repair media you previously created (select models only), you must purchase Windows 7 operating system media to reboot the computer and repair the operating system. For additional information, see [Using Windows 7 operating system media on page 125](#).


---


## Using the Windows recovery tools

Using the Windows recovery tools, you can:

- Recover individual files
- Restore the computer to a previous system restore point
- Recover information using recovery tools

---

 **NOTE:** For detailed instructions on various recovery and restore options, perform a search for these topics in Help and Support. To access Help and Support, select **Start > Help and Support**.

 **NOTE:** Windows includes the User Account Control feature to improve the security of your computer. You may be prompted for your permission or password for tasks such as installing software, running utilities, or changing Windows settings. Refer to Help and Support. To access Help and Support, select **Start > Help and Support**.


---

To recover information you previously backed up:

1. Select **Start > All Programs > Maintenance > Backup and Restore**.
2. Follow the on-screen instructions to recover your system settings, your computer (select models only), or your files.

To recover your information using Startup Repair, follow these steps:

---

 **CAUTION:** Some Startup Repair options will completely erase and reformat the hard drive. All files you have created and any software installed on the computer are permanently removed. When reformatting is complete, the recovery process restores the operating system, as well as the drivers, software, and utilities from the backup used for recovery.


---



1. If possible, back up all personal files.
2. If possible, check for the presence of the Windows partition.

To check for the Windows partition, select **Start > Computer**.


---

 **NOTE:** If the Windows partition is not listed, you must recover your operating system and programs using the Windows 7 operating system DVD and the *Driver Recovery* media. For additional information, see [Using Windows 7 operating system media on page 125](#).

---


3. If the Windows partition is listed, restart the computer, and then press **f8** before the Windows operating system loads.
4. Select **Startup Repair**.
5. Follow the on-screen instructions.

---

 **NOTE:** For additional information on recovering information using the Windows tools, select **Start > Help and Support**.

---

## Using f11 recovery tools (select models only)


 **CAUTION:** Using **f11** completely erases hard drive contents and reformats the hard drive. All files that you have created and any software that you have installed on the computer are permanently removed. The **f11** recovery tool reinstalls the operating system and HP programs and drivers that were installed at the factory. Software not installed at the factory must be reinstalled.

---

To recover the original hard drive image using **f11**:

1. If possible, back up all personal files.
2. If possible, check for the presence of the HP Recovery partition: click **Start**, right-click **Computer**, click **Manage**, and then click **Disk Management**.

---

 **NOTE:** If the HP Recovery partition is not listed, you must recover your operating system and programs using the Windows 7 operating system media and the *Driver Recovery* media. For additional information, see [Using Windows 7 operating system media on page 125](#).

---


3. If the HP Recovery partition is listed, restart the computer, and then press **esc** while the “Press the ESC key for Startup Menu” message is displayed at the bottom of the screen.
4. Press **f11** while the “Press <F11> for recovery” message is displayed on the screen.
5. Follow the on-screen instructions.

## Using Windows 7 operating system media

If you cannot use the recovery media you previously created using the HP Recovery Disc Creator (select models only), you must purchase a Windows 7 operating system DVD to reboot the computer and repair the operating system.

To order a Windows 7 operating system DVD, go to the HP website. For U.S. support, go to <http://www.hp.com/support>. For worldwide support, go to [http://welcome.hp.com/country/us/en/wwcontact\\_us.html](http://welcome.hp.com/country/us/en/wwcontact_us.html). You can also order the DVD by calling support. For contact information, see the *Worldwide Telephone Numbers* booklet included with the computer.

---

 **CAUTION:** Using a Windows 7 operating system DVD completely erases hard drive contents and reformats the hard drive. All files that you have created and any software that you have installed on the computer are permanently removed. When reformatting is complete, the recovery process helps you restore the operating system, as well as drivers, software, and utilities.

---

To initiate recovery using a Windows 7 operating system DVD:



**NOTE:** This process takes several minutes.

---

1. If possible, back up all personal files.
2. Restart the computer, and then insert the Windows 7 operating system DVD into the optical drive before the Windows operating system loads.
3. When prompted, press any keyboard key.
4. Follow the on-screen instructions.
5. Click **Next**.
6. Select **Repair your computer**.
7. Follow the on-screen instructions.

After the repair is completed:

1. Eject the Windows 7 operating system DVD and then insert the *Driver Recovery* DVD.
2. Install the Hardware Enabling Drivers first, and then install Recommended Applications.

---

# 12 Backup and Recovery in Ubuntu Linux

Recovery after a system failure is as good as your most recent backup. As you add new software and data files, you should continue to back up your system on a regular basis to maintain a reasonably current backup.

Your computer includes tools provided by HP to help you safeguard your information and retrieve it if ever needed.

## Creating backups

1. Create restore media immediately after you set up the computer. For more information, see [Performing a system recovery on page 128](#).
2. As you add files, routinely create a backup of your system and personal information.

## Backing up your information

You should back up your computer files on a regular schedule to maintain a current backup. You can manually back up your information to an optional external drive, a network drive, or discs. Back up your system at the following times:

- At regularly scheduled times
- Before the computer is repaired or restored
- Before you add or modify hardware or software

To back up your home directory files using **Backup Manager Settings**:

1. Select **Computer > More Applications > Tools > Backup Manager Settings**, and click **Backup my home directory**.
2. Click **Storage Destination Location**, and then select a location to back up your information.
3. Click **Schedule**, and then select a time schedule to perform backups at a regularly scheduled time.

To immediately back up your information, click the **Backup Now** check box.



**NOTE:** Before you back up your information, be sure you have designated a location to save the backup files.


4. Click **Save and Backup** to start the backup and to save the backup settings.

To restore backup files:

1. Select **Computer > More Applications > Tools > Backup Manager Restore**.
2. Click **Backup Source**, and then select the location of the backup files.
3. Click **Restore Destination**, and then select the destination to restore the files.
4. To restore all files from the selected location, click **Restore all files**. To restore select files only, click **Restore selected files**, click **Select Files** and then select the files to be restored.

5. Under **Restore Point**, click the time and date of the backup.

---

 **NOTE:** If multiple backups have been performed, click **Use the latest version** to restore the latest version.


---


6. Click **Restore** to start restoring the files, or click **Cancel** to cancel the operation.

## Performing a system recovery

Recovery allows you to repair or restore the computer to its original factory state. You can create an HP Factory Image, using an installed or an external DVD±RW optical drive.

---


 **NOTE:** Your computer may not come equipped with an internal optical drive. In order to create the HP Factory Image, you may need to plug in an external optical drive.

 **CAUTION:** Using Recovery completely erases hard drive contents and reformats the hard drive. All files you have created and any software installed on the computer are permanently removed. The recovery tool reinstalls the original operating system and HP programs and drivers that were installed at the factory. Software, drivers, and updates not installed by HP must be manually reinstalled. Personal files must be restored from a backup.

---

To restore the computer using the HP Factory Image, you must first create the recovery ISO file and then burn it to an optical disc.

---

 **NOTE:** HP recommends that you create the HP Factory Image in the event of a system failure.

---

1. Select **Computer > More Applications**.
2. In the left pane, click **Tools**, and then click **Create HP Factory Image** in the right pane.
3. Enter the root password when prompted.
4. Right-click on the HP\_Recovery.iso file and select **Open with Brasero**.
5. Insert a blank DVD disc and select **Burn**. This creates the HP Factory Image Restore DVD.


To restore the computer from the recovery disc, follow these steps:


1. If possible, back up all personal files.
2. Insert the HP Factory Image Restore DVD into the optical drive and restart the computer.
3. As the computer is restarting, press **f9** to open the Computer Setup boot option menu.
4. Select **Optical Disk Drive** from the Boot Options menu and press **enter**.
5. Press **enter** to select **Restore System from Media**.
6. At both of the System Recovery prompts, select **Yes**.

## USB Recovery option (select models only)

The USB Recovery Disk On Key (flash drive) option allows you to create a backup image of the Ubuntu operating system installed on select HP Business Notebooks. This Disk On Key may be used to restore the system to the original factory state when the F11 recovery option is not available. This process should be done on first obtaining the computer.

---


 **CAUTION:** The USB recovery option does not preserve data present on the computer's hard drive or on the Disk On Key used for the recovery process. Back up any data on the Disk on Key or the notebook that will be recovered before starting.

 **NOTE:** HP recommends that you create the USB Recovery Disk in the event of a system failure. The Disk On Key used for this process should be 4 GB or larger.

---


#### Creating a USB Recovery Disk On Key

1. Connect the USB Disk On Key to a USB port on the computer.
2. Select **Computer > More applications > Tools > Create Recovery USB**.
3. Enter the root password when prompted.
4. Select **USB Disk On Key** from the list.
5. Click **OK**.
6. A question dialog will remind you that the data on the USB key will be destroyed. To continue, click **OK**. Otherwise, click **Cancel** and back up the contents of the Disk On Key on another computer.
7. The backup process will display a status dialog box while the backup is in progress.

 **NOTE:** A file browser window with the Disk On Key Contents displayed will pop up when the key is mounted. You may close the file browser window if desired. Once the USB Recovery Key has been created, the status dialog will close. The USB Recovery Key is ready for use.


---

#### Recovering from a USB Recovery Disk On Key

 **CAUTION:** Before starting the Recovery process, make sure any data on the system to be recovered has been backed up. The recovery process destroys all data on the system to be recovered.

---

1. Turn off the computer.
2. Connect the USB Disk On Key to a USB port on the computer.
3. Turn on the computer while holding down the **f9** key.
4. Once the system has booted, the **Boot Options** menu should appear.
5. Using the arrow keys, select **USB Disk On Key** and press **enter**.


 **NOTE:** The description may vary from one USB key to another. Any entry other than Optical Disk Drive, Notebook Hard Drive or Notebook Ethernet should be the USB Recovery Disk On Key.

---

6. Once the USB Recovery Disk On Key has been selected, press **enter**. The USB Recovery Disk On Key will boot.
7. Once the USB Recovery Disk On Key has booted, a dialog box will prompt, “Do you want to start the System-Restore?” If data on the computer has not been backed up, use the **tab** key and select **No**. The system will reboot. Back up the system data and repeat the previous steps. If no data should be saved from the computer, use the **tab** key to select **Yes**. Press **enter** to begin the recovery process.
8. After the files are copied to the system, follow the on-screen instructions.

## Remove everything and reinstall Ubuntu

Sometimes you want to perform detailed reformatting of your computer, or you want to remove personal information before you give away or recycle your computer. The process described in this section provides a speedy, simple way to return the computer to its original state. This option removes all personal data, applications, and settings from your computer, and reinstalls the Linux operating system.

 **IMPORTANT:** This option does not provide backups of your information. Before using this option, back up any personal information you wish to retain.

---

You can initiate this option by using the **f11** key.

To use the **f11** key:

Press **f11** while the computer boots.

– or –

Press and hold **f11** as you press the power button.

The following options are available:

- **Cancel/Reboot**—Reboots the system. No recovery or restore activity is performed.
- **Recover/Repair System**—This option repairs a system that is not working properly and preserves user data.
- **Restore Factory System**—This option restores the system back to the original factory state. User data is not preserved.

Select an option and follow the on-screen instructions.

# 13 Specifications

## Computer specifications

	Metric	U.S.
<b>Dimensions</b>		
Length		
Non-touch	262.8 mm	10.35 in
Touch	263.2 mm	10.36 in
Width	375 mm	14.76 in
Height (front to rear)		
Non-touch	23.4 to 25.5 mm	0.92 to 1.00 in
Touch	25.0 to 27.1 mm	0.98 to 1.07 in
<b>Weight</b>		
Non-touchscreen (equipped with 1 DIMM, M.2 SSD, WLAN module, webcam, 4 cell battery, optical drive)	2.22 kg	4.9 lbs
Non-touchscreen (equipped with 1 DIMM, M.2 SSD, WLAN module, webcam, 4 cell battery, no optical drive)	2.11 kg	4.66 lbs
Non-touchscreen (equipped with 1 DIMM, hard drive, WLAN module, webcam, 4 cell battery, optical drive)	2.31 kg	5.1 lbs
Non-touchscreen (equipped with 1 DIMM, hard drive, WLAN module, webcam, 4 cell battery, no optical drive)	2.20 kg	4.86 lbs
Touchscreen (equipped with 1 DIMM, hard drive, WLAN module, webcam, 4 cell battery), optical drive	2.81 kg	6.19 lbs
Touchscreen (equipped with 1 DIMM, hard drive, WLAN module, webcam, 4 cell battery), no optical drive	2.70 kg	5.95 lbs
<b>Input power</b>		
Operating voltage	19.0 V dc @ 4.74 A – 90 W or 18.5 V dc @ 3.5 A - 65 W	
Operating current	4.74 A or 3.5 A	
<b>Temperature</b>		
Operating (not writing to optical disc)	0°C to 35°C	32°F to 95°F
Operating (writing to optical disc)	5°C to 35°C	41°F to 95°F
Nonoperating	-20°C to 60°C	-4°F to 140°F
<b>Relative humidity</b>		
Operating	10% to 90%	
Nonoperating	5% to 95%	
<b>Maximum altitude</b> (unpressurized)		

	<b>Metric</b>	<b>U.S.</b>
Operating (14.7 to 10.1 psia)	-15 m to 3,048 m	50 ft to 10,000 ft
Nonoperating (14.7 to 4.4 psia)	-15 m to 12,192 m	-50 ft to 40,000 ft
<b>Shock</b>		
Operating	125 g, 2 ms, half-sine	
Nonoperating	200 g, 2 ms, half-sine	
<b>Random vibration</b>		
Operating	0.75 g zero-to-peak, 10 Hz to 500 Hz, 0.25 oct/min sweep rate	
Nonoperating	1.50 g zero-to-peak, 10 Hz to 500 Hz, 0.5 oct/min sweep rate	
<b>NOTE:</b> Applicable product safety standards specify thermal limits for plastic surfaces. The computer operates well within this range of temperatures.		

## 39.6-cm (15.6-in) display specifications

	<b>Metric</b>	<b>U.S.</b>
Active diagonal size	39.6-cm	15.6-in
Resolution	1600x900 (FHD) 1368x768 (HD)	
Surface treatment	Anti-glare	
Width	3.2 mm	
Brightness	HD: 200:1 (typical) FHD: 300:1 (typical)	
Viewing angle	SVA	
Backlight	LED	
Pixel configuration	RGB vertical stripe	
Pixel pitch	0.084x.0252 mm	



## Hard drive specifications

	1.5-TB*	1-TB*	750-GB*	500-GB*	500-GB* hybrid	320-GB*
<b>Dimensions</b>						
Height	9.5 mm	9.5 mm	9.5 mm	9.5 mm or 7.0 mm	7.0 mm	7.0 mm
Width	70 mm	70 mm	70 mm	70 mm	70 mm	70 mm
Weight	118 g	115 g	102 g	101 g or 95 g	95 g	95 g
<b>Interface type</b>	SATA	SATA	SATA	SATA	SATA	SATA
<b>Transfer rate</b>	100 MB/sec	100 MB/sec	100 MB/sec	100 MB/sec	100 MB/sec	100 MB/sec
<b>Security</b>	ATA security	ATA security	ATA security	ATA security	ATA security	ATA security
<b>Seek times</b> (typical read, including setting)						
Single track	2.2 ms	1.4 ms	1.1 ms	3 ms	2 ms	1.1 ms
Average	13 ms	10 ms	12 ms	13 ms	12 ms	13 ms
Maximum	25 ms	12 ms	21 ms	24 ms	22 ms	25 ms
<b>Logical blocks</b>	2,930,277,168	1,938,921,461	1,465,149,168	1,048,576,000	976,773,168	625,141,400
<b>Disc rotational speed</b>	5400 rpm	5400 rpm	7200 or 5400 rpm	7200 rpm or 5400 rpm	5400 rpm	5400 rpm
<b>Operating temperature</b>	0°C to 60°C (32°F to 140°F)					
*1 GB = 1 billion bytes when referring to hard drive storage capacity. Actual accessible capacity is less. Actual drive specifications may differ slightly.						
<b>NOTE:</b> Certain restrictions and exclusions apply. Contact technical support for details.						

## Solid-state drive specifications

	120-GB*	128-GB*
<b>Height</b>	1.35 mm	7.0 mm
<b>Weight</b>	< 10 g	< 50 g
<b>Form factor</b>	M.2 2242-D2-B-M	2.5-inch
<b>Transfer rate</b>	up to 540 MB/sec	up to 515 MB/sec
<b>Interface type</b>	SATA-3	SATA-3
Ready time, maximum (to not busy)	1.0 ms	< 1.0 ms
Access times, logical	0.1 ms	0.1 ms
<b>Total logical sectors</b>	234,441,648	250,069,680
<b>Operating temperature</b>	0°C to 70°C (32°F to 158°F)	

\*1 GB = 1 billion bytes when referring to hard drive storage capacity. Actual accessible capacity is less. Actual drive specifications may differ slightly.

**NOTE:** Certain restrictions and exclusions apply. Contact technical support for details.

## DVD±RW SuperMulti DL Drive specifications

<b>Applicable disc</b>	<b>Read:</b> CD-DA, CD+(E)G, CD-MIDI, CD-TEXT, CD-ROM, CD-ROM XA, MIXED MODE CD, CD-I, CD-I Bridge (Photo-CD, Video CD), Multisession CD (Photo-CD, CD-EXTRA, Portfolio, CD-R, CD-RW), CD-R, CD-RW, DVD-ROM (DVD-5, DVD-9, DVD-10, DVD-18), DVD-R, DVD-RW, DVD+R, DVD+RW, DVD-RAM	<b>Write:</b> CD-R and CD-RW DVD+R, DVD+RW, DVD-R, DVD-RW, DVD-RAM
<b>Center hole diameter</b>	1.5 cm (0.59 in)	
<b>Disc diameter</b>		
Standard disc	12 cm (4.72 in)	
Mini disc	8 cm (3.15 in)	
<b>Disc thickness</b>	1.2 mm (0.047 in)	
<b>Track pitch</b>	0.74 µm	
<b>Access time</b>	<b>CD</b>	<b>DVD</b>
Random	< 175 ms	< 230 ms
Full stroke	< 285 ms	< 335 ms
<b>Audio output level</b>	Line-out, 0.7 Vrms	
<b>Cache buffer</b>	2 MB	
<b>Data transfer rate</b>		
24X CD-ROM	3,600 KB/sec	
8X DVD-ROM	10,800 KB/sec	
24X CD-R	3,600 KB/sec	
16X CD-RW	2,400 KB/sec	
8X DVD+R	10,800 KB/sec	
4X DVD+RW	5,400 KB/sec	
8X DVD-R	10,800 KB/sec	
4X DVD-RW	5,400 KB/sec	
2.4X DVD+R(9)	2,700 KB/sec	
5X DVD-RAM	6,750 KB/sec	
<b>Transfer mode</b>	Multiword DMA Mode	
<b>Startup time</b>	< 15 seconds	
<b>Stop time</b>	< 6 seconds	

## Blu-ray ROM DVD±RW SuperMulti DL Drive

Applicable disc	Read:	Write:	
	CD-DA, CD+(E)G, CD-MIDI, CDTEXT, CD-ROM, CD-ROM XA, MIXED MODE CD, CD-I, CD-I Bridge (Photo-CD, Video CD), Multisession CD (Photo-CD, CD-EXTRA, Portfolio, CD-R, CD-RW), CD-R, CD-RW, DVDROM (DVD-5, DVD-9, DVD-10, DVD-18), DVD-R, DVD-RW, DVD+R, DVD+RW, DVD-RAM, HD-ROM (Single Layer), HD-ROM (Dual Layer), HD DVD-R, HD DVD-R for Dual Layer, HD DVD-RW	CD-R and CD-RW DVD+R, DVD+R(9), DVD+RW, DVD-R, DVD-R(9), DVD-RW, DVD-RAM	
Access time	CD	DVD	HD
Random	170 ms	170 ms	230 ms
Cache buffer	8 MB		
Data transfer rate			
24X CD-ROM	3,600 KB/sec		
8X DVD	10,800 KB/sec		
24X CD-R	3,600 KB/sec		
16X CD-RW	2,400 KB/sec		
8X DVD+R	10,800 KB/sec		
4X DVD+RW	5,400 KB/sec		
8X DVD-R	10,800 KB/sec		
4X DVD-RW	5,400 KB/sec		
2.4X DVD+R(9)	2,700 KB/sec		
5X DVD-RAM	6,750 KB/sec		
1X BD-ROM	4,500 KB/sec		
1X BD-R read	4,500 KB/sec		
1X BD-RE read	4,500 KB/sec		
Transfer mode	Multiword DMA Mode		

## DVD-ROM drive

Applicable disc	DVD-ROM (DVD-5, DVD-9, DVD-10, DVD-18, CD-ROM (Mode 1 and 2), CD Digital Audio, CD-XA ready (Mode 2, Form 1 and Form 2), CD-I (Mode 2, Form 1 and Form 2), CD-R, CD-RW, Photo CD (single and multisession), CD-Bridge
Center hole diameter	1.5 cm (0.59 in)
Disc diameter	
Standard disc	12 cm (4.72 in)
Mini disc	8 cm (3.15 in)

<b>Disc thickness</b>	1.2 mm (0.047 in)	
<b>Track pitch</b>	0.74 $\mu$ m	
<b>Access time</b>	<b>CD</b>	<b>DVD</b>
Random	< 100 ms	< 125 ms
Full Stroke	< 175 ms	< 225 ms
<b>Audio output level</b>	Line-out, 0.7 Vrms	
<b>Cache buffer</b>	512 KB	
<b>Data transfer rate</b>		
CD-R (24X)	3600 KB/s (150 KB/s at 1X CD rate)	
CD-RW (10X)	1500 KB/s (150 KB/s at 1X CD rate)	
CD-ROM (24X)	3,600 KB/sec	
DVD (8X)	3600 KB/s (150 KB/s at 1X CD rate)	
Multiword DMA mode 2	16.6 MB/s	
<b>Startup time</b>	< 10 seconds	
<b>Stop time</b>	< 3 seconds	

## Specification information in Device Manager

Device Manager allows you to view and control the hardware attached to the computer, as well as provides hardware specification information.

You can also add hardware or modify device configurations using Device Manager.



**NOTE:** Windows 7 includes the User Account Control feature to improve the security of your computer. You may be prompted for your permission or password for tasks such as installing software, running utilities, or changing Windows settings. Refer to Windows Help and Support for more information.

After you open Device Manager, drill-down to a device and double-click it to access its properties.

### To access Device Manager in Windows 8.1 :

1. From the Start screen, type `control`, and then select **Control Panel**.
2. Select **System and Security**, and then in the System area, click **Device Manager**.

A list display all the devices installed in your computer.

### To access Device Manager in Windows 7:

1. Select **Start > Computer > System properties**.
2. In the left pane, click **Device Manager**.

---

# 14 Statement of Volatility

The purpose of this document is to provide general information regarding non-volatile memory in industry-standards based HP Business Notebook PC systems and provide general instructions for restoring nonvolatile memory that can contain personal data after the system has been powered off and the hard drive has been removed.

HP Business Notebook PC products that use Intel®-based or AMD®-based system boards contain volatile DDR memory. The amount of nonvolatile memory present in the system depends upon the system configuration. Intel-based and AMD-based system boards contain nonvolatile memory subcomponents as originally shipped from HP assuming that no subsequent modifications have been made to the system and assuming that no applications, features, or functionality have been added to or installed on the system.

Following system shutdown and removal of all power sources from an HP Business Notebook PC system, personal data can remain on volatile system memory (DIMMs) for a finite period of time and will also remain in nonvolatile memory. The steps below will remove personal data from the notebook PC, including the nonvolatile memory found in Intel-based and AMD-based system boards. Some of these steps are disclosed in the Maintenance & Service Guides available for HP PC products available on the product support pages at [www.hp.com](http://www.hp.com).

1. Follow steps (a) through (i) below to restore the nonvolatile memory that can contain personal data. Restoring or reprogramming nonvolatile memory that does not store personal data is neither necessary nor recommended.
  - a. Enter BIOS (F10) Setup by powering on the system and pressing **F10** when prompted near the bottom of the display, or press the **ESC** key to display the start up menu, then press **F10** . If the system has a BIOS administrator password, enter the password at the prompt.
  - b. Select the **File** menu, then **Restore Defaults**.
  - c. Select the **System Configuration** menu, then **Restore Security Defaults**.
  - d. If an asset or ownership tag is set, select the **Security** menu and scroll down to the **Utilities** menu. Select **System IDs**, and then select the tag that has been set. Press the spacebar once to clear the tag, then press **Enter** to return to the prior menu.
  - e. If a DriveLock password is set, select the **Security** menu, scroll down to **DriveLock**, then select **DriveLock password**. Select the desired hard drive. Click **Disable protection**, enter the existing master DriveLock password, then press **Enter** to confirm and return to the prior menu. Repeat this procedure if more than one hard drive has a DriveLock password.
  - f. If an Automatic DriveLock password is set, select the **Security** menu, scroll down to **Automatic DriveLock**, then select the desired hard drive and disable protection. Repeat this procedure if more than one hard drive has an Automatic DriveLock password.
  - g. Select the **File** menu, then **Reset BIOS Security to factory default**. Click **yes** at the warning message.
  - h. Select the **File** menu, then **Save Changes and Exit**.
  - i. Reboot the system. If the system has a Trusted Platform Module (TPM) and/or fingerprint sensor, one or two prompts will appear. One to clear the TPM and the other to Reset Fingerprint Sensor; press **F1** to accept or **F2** to reject.

If the HP notebook model number ends in a 'p' or 'w' and includes Intel® Centrino with VPro™, reboot the PC and enter BIOS Setup by pressing **F10** when prompted. Select **System**

**Configuration**, then **AMT Options**. Then select **Unconfigure AMT** on next boot. Select **Save** then **Yes**. Select the **File** menu, and then select **Save Changes and Exit**. Reboot the system and confirm that you want to unconfigure AMT.

- j. If the optional Intel® Anti-Theft Technology (AT) was activated, contact the provider to deactivate it.
  - k. If the optional Absolute® Software Computrace® management and tracking service was activated on the notebook PC, contact the provider to deactivate it.
  - l. Remove all power and system batteries for at least 24 hours.
2. Remove and retain the storage drive or clear the contents of the drive.

**a. Hard Disk Drive (HDD)**

Clear the HDD contents by using the HP Disk Sanitizer® utility or a third party application that, ideally, is U.S. Department of Defense (DOD) 5220.22-M approved.

To run HP Disk Sanitizer, enter BIOS Setup by powering on the system and pressing **F10** when prompted near the bottom of the display, or press **ESC** to display the start up menu, then press **F10**. Select the **Security** menu and scroll down to the **Utilities** menu. Select **Disk Sanitizer** and select the desired drive. For a higher level of protection, select **Optimum**.



---

**NOTE:** This process will take a long time, and the amount of time varies based on the hard drive capacity.

---

**b. Solid State Drive (SSD)**

Clear the SSD contents by using the BIOS Setup Secure Erase command option, or by using a third party utility designed to erase data from an SSD. To run Secure Erase, enter BIOS Setup by powering on the system and pressing **F10** when prompted near the bottom of the display. Select the **Security** menu and scroll down to the **Utilities** menu. Select **Secure Erase** and select the desired hard drive.

## Non-volatile memory usage

Non Volatile Memory Type	Amount (Size)	Does this memory store customer data?	Does this memory retain data when power is removed?	What is the purpose of this memory?	How is data input into this memory?	How is this memory write protected?
Real Time Clock (RTC) battery backed-up CMOS configuration memory (CMOS)	256 Bytes	No	Yes	Stores system date and time and limited keyboard controller data.	Using the F10 Setup utility or changing the Microsoft® Windows® date & time.	This memory is not write-protected. HP recommends password protecting the F10 Setup utility.
Controller (NIC) EEPROM	64 Kbytes (not customer accessible)	No	Yes	Store NIC configuration and NIC firmware.	Using a utility from the NIC vendor that can be run from DOS.	A utility is required to write data to this memory and is available from NIC vendor. Writing data to this ROM in an inappropriate manner will render the NIC nonfunctional.
Keyboard ROM	64 Kbytes (not customer accessible)	No	Yes	Stores firmware code (keyboard, mouse, & battery management).	Programmed at the factory. Code is updated when the system BIOS is updated.	A utility is required for writing data to this memory and is available on the HP website. Writing data to this ROM in an inappropriate manner can render the PC nonfunctional.
DIMM Serial Presence Detect (SPD) configuration data	256 Bytes per memory module, 128 Bytes programmable (not customer accessible)	No	Yes	Stores memory module information.	Programmed by the memory vendor.	Data cannot be written to this memory when the module is installed in a PC. The specific write protection method varies by memory vendor.
System BIOS	4 to 5 MBytes	Yes	Yes	Store system BIOS code and PC configuration data.	System BIOS code is programmed at the factory. Code is updated when the system BIOS is updated. Configuration data and settings are input using the F10 setup utility or a custom utility.	A utility is required for writing data to this memory and is available on the HP website. Writing data to this ROM in an inappropriate manner can render the PC nonfunctional.
Intel Management Engine Firmware (present only in models ending in a 'p' or 'w' or with Intel Centrino Pro technology)	1.5 or 5MByte	Yes	Yes	Stores Management Engine Code, Settings, Provisioning Data and iAMT third party data store.	Management Engine Code is programmed at the factory. Code is updated via Intel secure firmware update utility. Unique Provisioning Data can be entered at the factory or by an administrator using the Management Engine (MEBx) setup utility. The	The Intel chipset is configured to enforce HW protection to block all direct read/write access to this area. An Intel utility is required for updating the firmware. Only firmware updates digitally signed by



					third party data store contents can populated by a remote management console or local applications registered by an administrator to have access to the space.	Intel can be applied using this utility.
Bluetooth flash	2Mbit	No	Yes	Stores Bluetooth configuration and firmware.	Programmed at the factory. Tools for writing data to this memory are not publicly available but can be obtained from the silicon vendor.	A utility is required for writing data to this memory and is made available through newer versions of the driver if the flash requires an upgrade.
802.11 WLAN EEPROM	4kb to 8kb	No	Yes	Stores configuration and calibration data.	Programmed at the factory. Tools for writing data to this memory are not made public.	A utility is required for writing data to this memory and is typically not made available to the public unless a firmware upgrade is necessary to address a unique issue.
Web camera	64K bit	No	Yes	Store Web Cam configuration and firmware.	Using a utility from the device manufacturer that can be run from Windows.	A utility is required for writing data to this memory and is typically not made available to the public unless a firmware upgrade is necessary to address a unique issue.
Fingerprint reader	512kByte Flash	Yes	Yes	Stores fingerprint templates.	By enrolling in HP ProtectTools Security Manager.	Only a digitally signed application can make the call to write to the flash.

## Questions and answers

**1. How can the BIOS settings be restored (returned to factory settings)?**

- a. Turn on or restart the computer and press **F10** when prompted near the bottom of the display.
- b. Select **File**, then select **Restore defaults**.
- c. Follow the on-screen instructions.
- d. Select **File**, save changes and exit, then press **Enter**.

**2. What kind of configuration data is stored on the DIMM Serial Presence Detect (SPD) memory module? How would this data be written?**

The DIMM SPD memory contains information about the memory module such as size, serial number, data width, speed/timing, voltage and thermal information. This information is written by the module manufacturer and stored on an EEPROM. This EEPROM cannot be written to when the memory module is installed in a PC. Third party tools do exist that can write to the EEPROM when the memory module is not installed in a PC. There are various third party tools available to read SPD memory.

**3. Does the “Firmware Hub for System BIOS” contain the BIOS program? Is this chip writable, and if so how?**

The Firmware Hub does contain the BIOS program and is writable. A utility is required to perform the write function.

**4. In some PC systems, the Firmware Hub for System BIOS is a flash memory chip so that updates can be written by the customer. Is this true for these BIOS chips?**

Yes, they are flash memory chips.

**5. What is meant by “Restore the nonvolatile memory found in Intel-based system boards”?**

This relates to clearing the Real Time Clock (RTC) CMOS memory that contains PC configuration data.

**6. Does resetting the CMOS configuration memory return the PC back to factory defaults?**

The process of resetting the CMOS will return certain system settings to factory default but will not reset many of the system data and configuration defaults to their factory settings. To return these system data and configuration defaults to factory settings, refer to question and answer 1 and follow the instructions for returning the BIOS settings to factory defaults.

# 15 Power cord set requirements

The wide-range input feature of the computer permits it to operate from any line voltage from 100 to 120 volts ac, or from 220 to 240 volts ac.

The 3-conductor power cord set included with the computer meets the requirements for use in the country or region where the equipment is purchased.

Power cord sets for use in other countries and regions must meet the requirements of the country or region where the computer is used.

## Requirements for all countries and regions

The following requirements are applicable to all countries and regions:

- The length of the power cord set must be at least **1.5 m** (5.0 ft) and no more than **2.0 m** (6.5 ft).
- All power cord sets must be approved by an acceptable accredited agency responsible for evaluation in the country or region where the power cord set will be used.
- The power cord sets must have a minimum current capacity of 10 A and a nominal voltage rating of 125 or 250 V ac, as required by the power system of each country or region.
- The appliance coupler must meet the mechanical configuration of an EN 60 320/IEC 320 Standard Sheet C13 connector for mating with the appliance inlet on the back of the computer.

## Requirements for specific countries and regions

Country/region	Accredited agency	Applicable note number
Argentina	IRAM	1
Australia	SAA	1
Austria	OVE	1
Belgium	CEBEC	1
Brazil	ABNT	1
Canada	CSA	2
Chile	IMQ	1
Denmark	DEMKO	1
Finland	FIMKO	1
France	UTE	1
Germany	VDE	1
India	ISI	1
Israel	SII	1
Italy	IMQ	1

Country/region	Accredited agency	Applicable note number
Japan	JIS	3
The Netherlands	KEMA	1
New Zealand	SANZ	1
Norway	NEMKO	1
The People's Republic of China	CCC	4
Saudi Arabia	SASO	7
Singapore	PSB	1
South Africa	SABS	1
South Korea	KTL	5
Sweden	SEMKO	1
Switzerland	SEV	1
Taiwan	BSMI	6
Thailand	TISI	1
The United Kingdom	ASTA	1
The United States	UL	2

1. The flexible cord must be Type H05VV-F, 3-conductor, 0.75mm<sup>2</sup> conductor size. Power cord set fittings (appliance coupler and wall plug) must bear the certification mark of the agency responsible for evaluation in the country or region where it will be used.
2. The flexible cord must be Type SVT/SJT or equivalent, No. 18 AWG, 3-conductor. The wall plug must be a two-pole grounding type with a NEMA 5-15P (15 A, 125 V ac) or NEMA 6-15P (15 A, 250 V ac) configuration. CSA or C-UL mark. UL file number must be on each element.
3. The appliance coupler, flexible cord, and wall plug must bear a "T" mark and registration number in accordance with the Japanese Dentori Law. The flexible cord must be Type VCTF, 3-conductor, 0.75mm<sup>2</sup> or 1.25mm<sup>2</sup> conductor size. The wall plug must be a two-pole grounding type with a Japanese Industrial Standard C8303 (7 A, 125 V ac) configuration.
4. The flexible cord must be Type RVV, 3-conductor, 0.75mm<sup>2</sup> conductor size. Power cord set fittings (appliance coupler and wall plug) must bear the CCC certification mark.
5. The flexible cord must be Type H05VV-F 3X0.75mm<sup>2</sup> conductor size. KTL logo and individual approval number must be on each element. Corset approval number and logo must be printed on a flag label.
6. The flexible cord must be Type HVCTF 3X1.25mm<sup>2</sup> conductor size. Power cord set fittings (appliance coupler, cable, and wall plug) must bear the BSMI certification mark.
7. For 127 V ac, the flexible cord must be Type SVT or SJT 3 x 18 AWG, with plug NEMA 5-15P (15 A, 125 V ac), with UL and CSA or C-UL marks. For 240 V ac, the flexible cord must be Type H05VV-F 3X0.75/1.00mm<sup>2</sup> conductor size, with plug BS 1363/A with BSI or ASTA marks.

---

# 16 Recycling

## Battery

When a non-rechargeable or rechargeable battery has reached the end of its useful life, do not dispose of the battery in general household waste. Follow the local laws and regulations in your area for battery disposal.

HP encourages customers to recycle used electronic hardware, HP original print cartridges, and rechargeable batteries. For more information about recycling programs, see the HP Web site at <http://www.hp.com/recycle>.

## Display

---

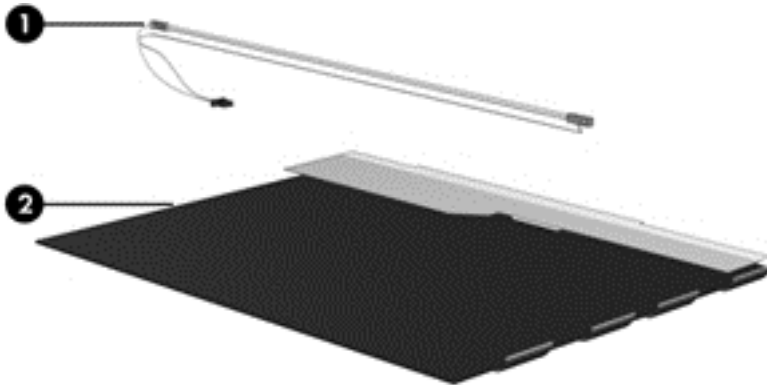
**⚠ WARNING!** The backlight contains mercury. Exercise caution when removing and handling the backlight to avoid damaging this component and causing exposure to the mercury.

**⚠ CAUTION:** The procedures in this chapter can result in damage to display components. The only components intended for recycling purposes are the LCD panel and the backlight. When you remove these components, handle them carefully.

**📄 NOTE: Materials Disposal.** This HP product contains mercury in the backlight in the display assembly that might require special handling at end-of-life. Disposal of mercury may be regulated because of environmental considerations. For disposal or recycling information, contact your local authorities, or see the Electronic Industries Alliance (EIA) Web site at <http://www.eiae.org>.

---

This section provides disassembly instructions for the display assembly. The display assembly must be disassembled to gain access to the backlight **(1)** and the liquid crystal display (LCD) panel **(2)**.



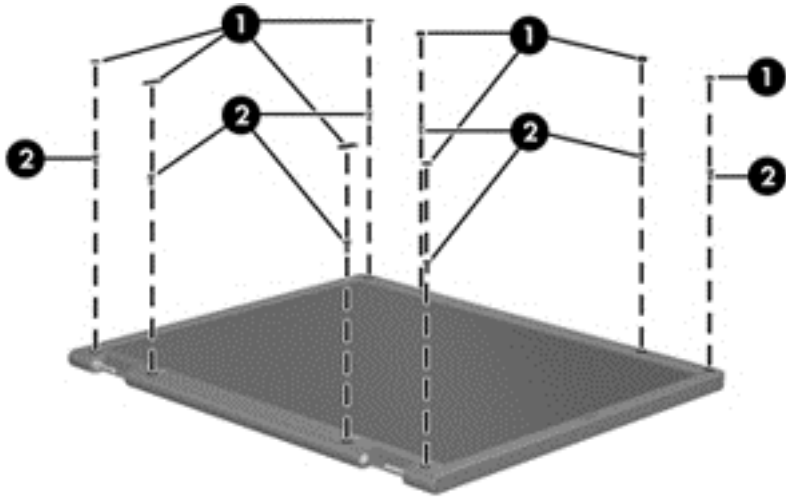
---

**📄 NOTE:** The procedures provided in this chapter are general disassembly instructions. Specific details, such as screw sizes, quantities, and locations, and component shapes and sizes, can vary from one computer model to another.

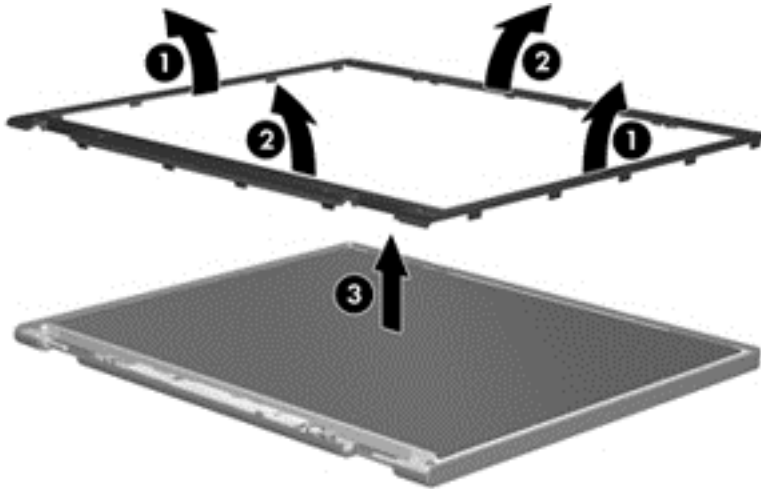
---

Perform the following steps to disassemble the display assembly:

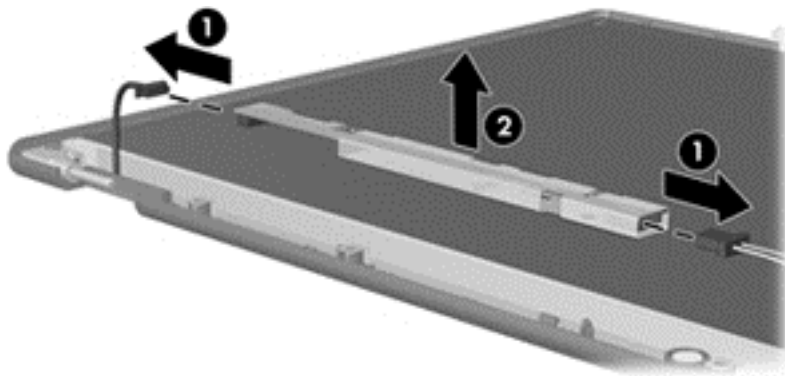
1. Remove all screw covers **(1)** and screws **(2)** that secure the display bezel to the display assembly.



2. Lift up and out on the left and right inside edges **(1)** and the top and bottom inside edges **(2)** of the display bezel until the bezel disengages from the display assembly.
3. Remove the display bezel **(3)**.

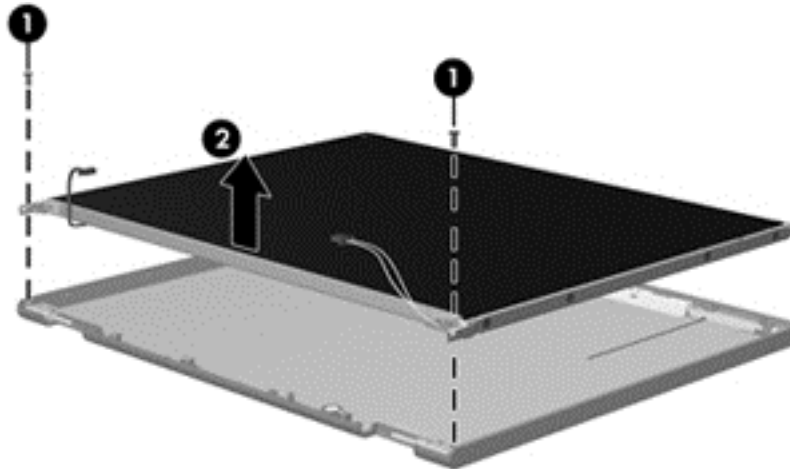


4. Disconnect all display panel cables **(1)** from the display inverter and remove the inverter **(2)**.

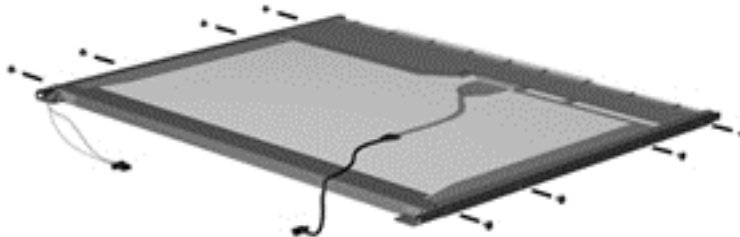


5. Remove all screws **(1)** that secure the display panel assembly to the display enclosure.

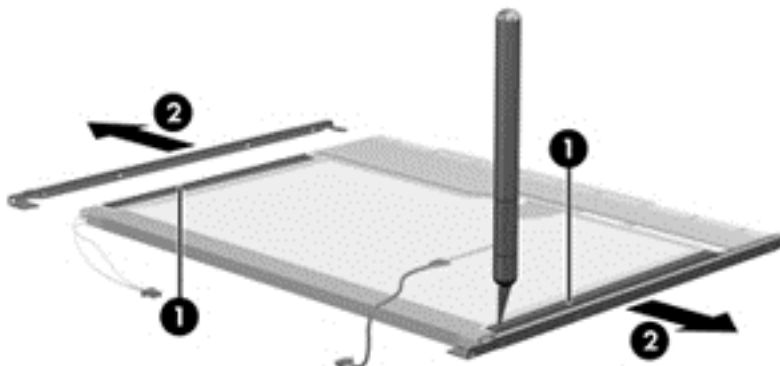
6. Remove the display panel assembly (2) from the display enclosure.



7. Position the display panel assembly upside-down.
8. Remove all screws that secure the display panel frame to the display panel.

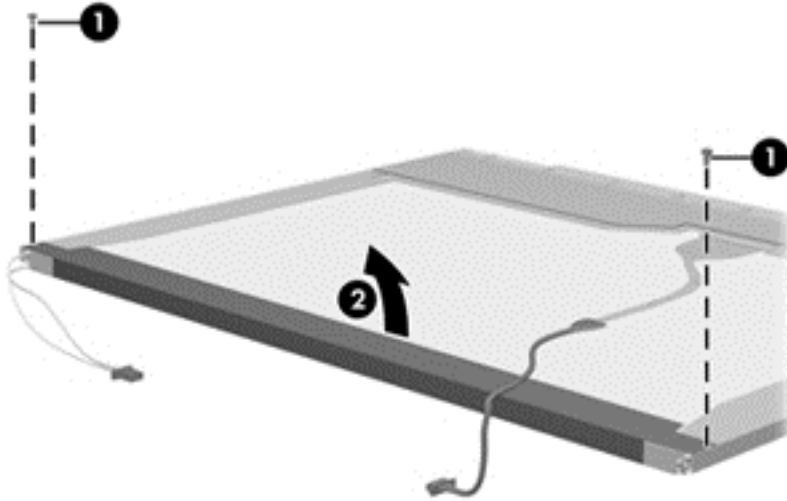


9. Use a sharp-edged tool to cut the tape (1) that secures the sides of the display panel to the display panel frame.
10. Remove the display panel frame (2) from the display panel.

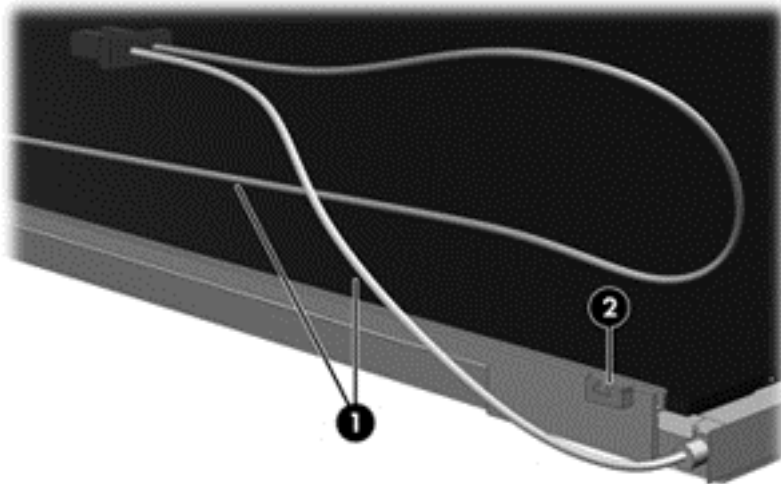


11. Remove the screws (1) that secure the backlight cover to the display panel.

12. Lift the top edge of the backlight cover (2) and swing it outward.



13. Remove the backlight cover.
14. Position the display panel right-side up.
15. Remove the backlight cables (1) from the clip (2) in the display panel.



16. Position the display panel upside-down.

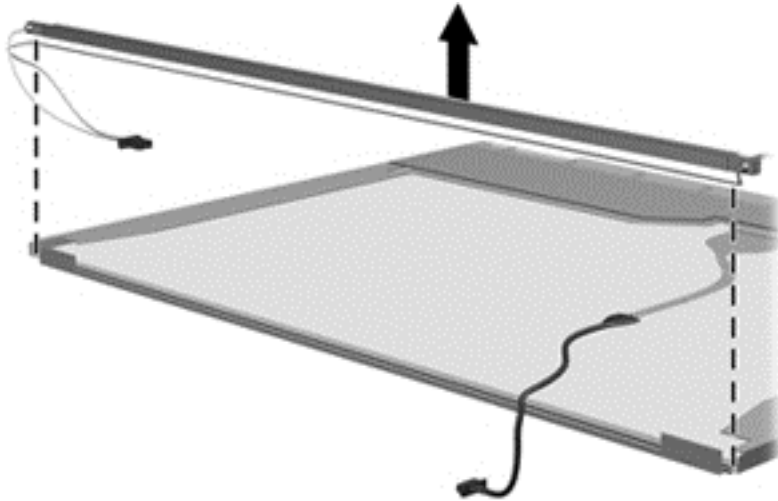
---

**⚠ WARNING!** The backlight contains mercury. Exercise caution when removing and handling the backlight to avoid damaging this component and causing exposure to the mercury.

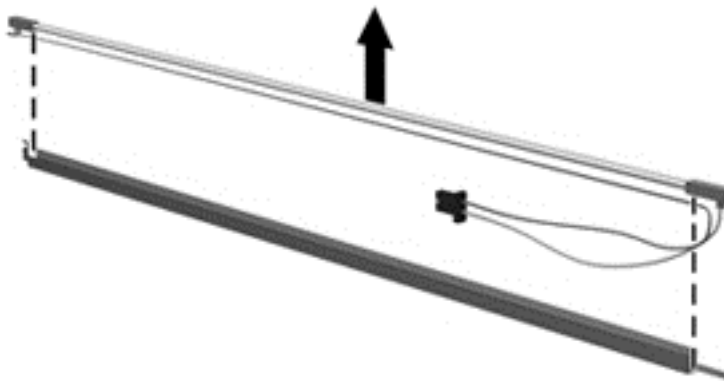
---



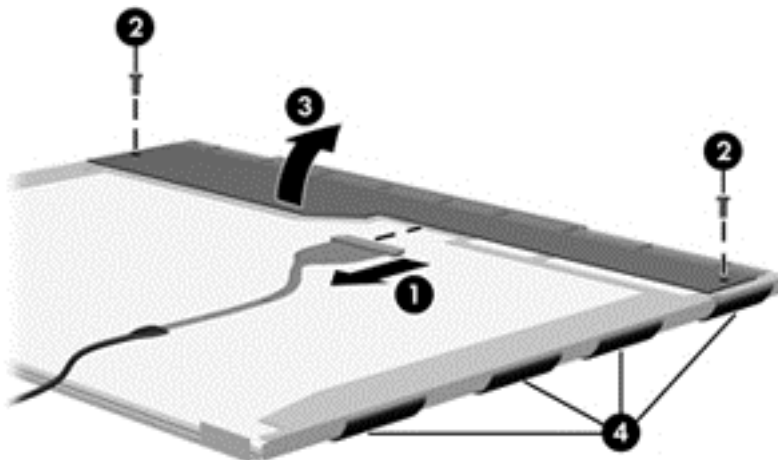
17. Remove the backlight frame from the display panel.



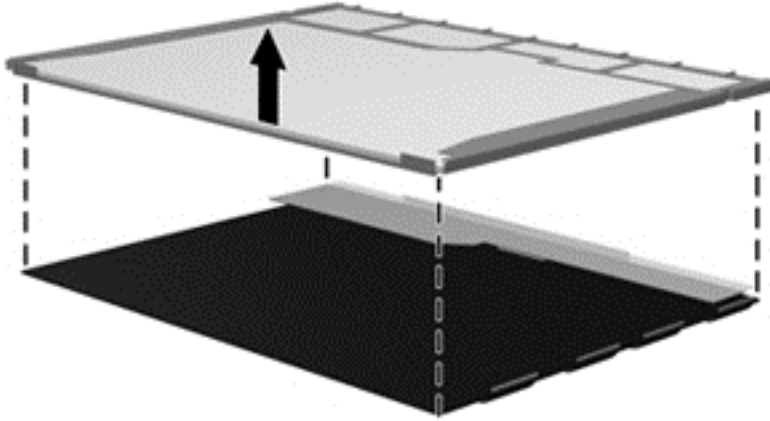
18. Remove the backlight from the backlight frame.



19. Disconnect the display panel cable (1) from the LCD panel.
20. Remove the screws (2) that secure the LCD panel to the display rear panel.
21. Release the LCD panel (3) from the display rear panel.
22. Release the tape (4) that secures the LCD panel to the display rear panel.



**23.** Remove the LCD panel.



**24.** Recycle the LCD panel and backlight.

# Index

## A

- AC adapter, spare part numbers 27
- AC adapter/battery light 15
- antennas
  - disconnecting 52, 54
- audio board
  - spare part number 32
- audio, product description 3
- audio-in (microphone) jack, identifying 16
- audio-out (headphone) jack, identifying 16

## B

- backup 127
- Backup and Restore 124
- backup tools 122
- backups
  - creating 123
  - recovering 124
- base enclosure, spare part number 24
- battery
  - spare part number 24, 31, 43
- battery bay, identifying 14
- battery connector cable
  - removal 83
  - spare part number 83
- battery connector cable, illustrated 26
- battery lock latch 13
- battery release latch 13
- BIOS
  - determining version 104, 110, 116
  - downloading an update 105, 111, 117
  - updating 104, 110, 116
- Blu-ray ROM DVD±RW SuperMulti specifications 136
- Blu-ray ROM DVD±RW SuperMulti DL Drive, spare part number 24, 27, 34, 50
- Bluetooth card
  - spare part number 52

## buttons

- left TouchPad 9
- optical drive eject 16
- power 11
- right TouchPad 9

## C

- Cable Kit
  - contents 26
  - spare part number 26
- cables, service considerations 38
- caps lock light, identifying 10
- card reader board
  - removal 75
  - spare part number 21, 33, 36, 75
- case, spare part number 29, 30
- chipset, product description 1
- components
  - bottom 13
  - display 8
  - front 14
  - left side 15
  - right side 16
  - top 9
- computer reset 129
- Computer Setup
  - navigating and selecting 103, 109, 115
  - restoring factory settings 104, 110, 116
- computer setup
  - navigating and selecting 115
  - restoring factory settings 116
- computer specifications 131
- connector, power 15
- connectors, service considerations 38

## D

- diskette drive
  - precautions 38
- display assembly
  - removal 95

- removing 60
- spare part numbers 95
- display assembly subcomponents
  - removing 60
- display bezel
  - removal 60, 97
  - removing 60
  - spare part numbers 25
- display component recycling 145
- display components, spare part numbers 25
- display hinge
  - removal 62, 99
- Display Hinge Kit
  - spare part numbers 26
- display panel
  - product description 2
- display rear cover
  - spare part number 26, 31
- display specifications 132
- Driver Recovery DVD,
  - creating 122
  - using for restore 125
- drives
  - preventing damage 38
- DVD-ROM drive, spare part number 24, 25, 27, 33, 35, 50
- DVD-ROM drive, specifications 136
- DVD±RW SuperMulti DL Drive
  - specifications 135
- DVD±RW SuperMulti DL Drive, spare part number 24, 25, 27, 34, 35, 50

## E

- electrostatic discharge 39
- esc key, identifying 12
- Ethernet, product description 4
- expansion base, spare part number 29, 30
- external media cards, product description 5
- external monitor port 15

- F**
- f11 recovery 120, 125
- fan
  - removing 81
  - spare part number 24, 31
- fingerprint reader
  - identifying 12
- fingerprint reader assembly
  - removal 70
  - spare part number 21, 31, 70
- fn key, identifying 12
- function board
  - removal 73
  - spare part number 21, 32, 73
- function keys, identifying 12
- G**
- graphics, product description 1
- grounding equipment and methods 41
- H**
- hard drive
  - precautions 38
  - product description 3
  - removing 46
  - spare part numbers 24, 27, 30, 36, 46
  - specifications 133
- Hard Drive Hardware Kit, spare part number 27, 31
- hard drive light 14
- hard drive recovery 120, 125
- hard drive, identifying 13
- HDMI port
  - identifying 15
- headphone (audio-out) jack 16
- heat sink
  - removal 92
  - spare part number 23, 31, 92
- heat sink assembly
  - spare part number 23, 31, 92
- hinge
  - removal 62, 99
- HP PC Hardware Diagnostics (UEFI)
  - downloading 108, 114, 118
  - using 108
- HP Recovery Disc Creator, using 122
- HP Recovery partition
  - checking for presence 125
  - using for recovery 125
- I**
- integrated numeric keypad,
  - identifying 12
- integrated webcam light,
  - identifying 8
- internal display switch 8
- internal microphones, identifying 8
- J**
- jacks
  - audio-in (microphone) 16
  - audio-out (headphone) 16
  - network 15
  - RJ-45 (network) 15
- K**
- keyboard
  - product description 5
  - removal 56
  - spare part numbers 20, 31, 34, 56
- keypad
  - integrated numeric 12
- keys
  - esc 12
  - fn 12
  - function 12
  - Windows key 12
- L**
- latch, battery lock 13
- latch, battery release 13
- legacy support, USB 103, 109, 115
- lights
  - AC adapter/battery 15
  - caps lock 10
  - hard drive 14
  - microphone mute 10
  - num lock 10
  - power 10
  - RJ-45 (network) 15
  - TouchPad 10
  - webcam 8
  - wireless 10
- M**
- mass storage devices, spare part numbers 27
- memory card reader, identifying 14
- memory module
  - identifying 13
  - product description 2
  - removal 48
  - spare part numbers 23, 48
- microphone (audio-in) jack
  - product description 3
- microphone (audio-in) jack,
  - identifying 16
- microphone module
  - spare part number 26, 36
- microphone mute light, identifying 10
- model name 1
- mouse, spare part number 28, 30
- N**
- network jack, identifying 15
- num lock light 10
- O**
- operating system, product description 5
- optical drive
  - precautions 38
  - product description 3
  - removal 50
  - spare part numbers 24, 27, 50
  - specifications 135, 136
- optical drive eject button,
  - identifying 16
- optical drive extension board
  - removal 89
  - spare part number 23, 89
- optical drive, identifying 16
- P**
- packing guidelines 40
- PCID label 18
- plastic parts 37
- pointing device, product description 5
- ports
  - external monitor 15
  - HDMI 15
  - product description 5
  - USB 16

- power button
  - identifying 11
- power button board assembly
  - removal 71
  - spare part number 21, 31, 71
- power cable
  - removal 102
  - spare part number 24, 31, 102
- power connector, identifying 15
- power cord
  - set requirements 143
  - spare part numbers 27, 28, 29, 30
- power lights 10
- power requirements, product
  - description 5
- processor
  - product description 1
- product description
  - audio 3
  - chipset 1
  - display panel 2
  - Ethernet 4
  - external media cards 5
  - graphics 1
  - hard drives 3
  - keyboard 5
  - memory module 2
  - microphone 3
  - operating system 5
  - optical drives 3
  - pointing devices 5
  - ports 5
  - power requirements 5
  - processors 1
  - product name 1
  - security 5
  - serviceability 6
  - webcam 3
  - wireless 4
- product name 1
- R**
- recovery 121, 127
- recovery media
  - creating 122
  - using for restore 125
- recovery partition 120, 125
- recovery tools 122
- recovery tools, Windows 124
- recovery, system 124
- refresh 121
- removal/replacement
  - preliminaries 37
  - procedures, Authorized Service Provider 59
  - procedures, Customer Self-Repair 42
- reset 121
  - computer 129
  - steps 129
- restoring the hard drive 120, 125
- RJ-45 (network) jack, identifying 15
- RJ-45 (network) lights, identifying 15
- RTC battery
  - spare part number 23, 30
- RTC battery, HP 450 models
  - removal 90
  - spare part number 90
- RTC battery, HP 455 models
  - removal 67
  - spare part number 67
- S**
- Screw Kit, spare part number 29
- security cable slot, identifying 16
- security, product description 5
- service considerations 37
- service door
  - spare part number 24, 33, 44
- service tag 17
- serviceability, product description 6
- setup utility
  - navigating and selecting 103, 109
  - restoring factory settings 104, 110
- SIM slot, identifying 14
- slots
  - security cable 16
  - SIM 14
- solid-state drive
  - specifications 134
- speaker assembly
  - removal 68
  - spare part number 24, 68
- speakers, identifying 11
- specifications
  - Blu-ray ROM DVD±RW SuperMulti 136
  - computer 131
  - display 132
  - DVD-ROM drive 136
  - DVD±RW SuperMulti DL Drive 135
  - hard drive 133
  - optical drive 135, 136
  - solid-state drive 134
  - Startup Repair, using 124
  - static-shielding materials 41
  - system board
    - removal 84
    - spare part numbers 21, 84
- T**
- thermal material, replacement 93, 94
- tools required 37
- top cover
  - removal 64
  - spare part number 21, 64
- TouchPad
  - buttons 9
- touchpad button board
  - removal 79
  - spare part number 21, 33, 79
- TouchPad light, identifying 10
- TouchPad zone
  - identifying 9
- transporting guidelines 40
- U**
- Ubuntu
  - remove everything and reinstall option 129
- USB 3.0 port 15
- USB legacy support 103, 109, 115
- USB ports, identifying 15, 16
- USB/audio board
  - removal 77
  - spare part number 23, 77
- V**
- vents, identifying 13, 15
- W**
- webcam
  - identifying 8

- product description 3
- spare part number 31
- webcam light, identifying 8
- webcam module
  - removal 61, 98
  - spare part number 25
- Windows
  - Refresh 121
  - Reset 121
- Windows 7 operating system DVD
  - creating 122
  - using for restore 125
- Windows 7 operating system media
  - creating 122
  - using for restore 125
- Windows key, identifying 12
- Windows operating system DVD 121
- Windows Startup Repair, using 124
- wireless antennas
  - disconnecting 52, 54
- wireless antennas, identifying 8
- wireless light 10
- wireless, product description 4
- WLAN antennas
  - spare part number 26
- WLAN antennas, identifying 8
- WLAN, identifying 13
- WLAN/Bluetooth combo card
  - removal 52
  - spare part number 23, 52
- workstation guidelines 40
- WWAN
  - identifying 13
- WWAN antennas
  - spare part number 26
- WWAN antennas, identifying 8
- WWAN module
  - removal 54
  - spare part number 23, 54