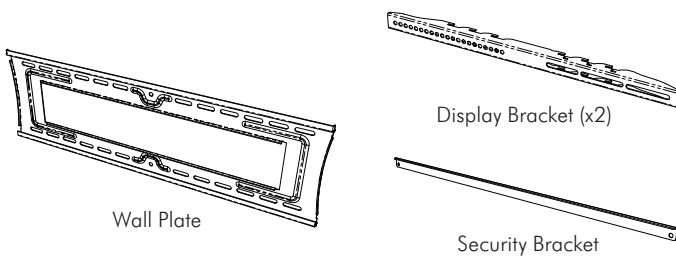


### Important Notes

- Supports a maximum load of 150kgs (330lbs).
- Suits displays with mounting hole patterns from 200mm to 800mm wide (8"-31.5") by 200mm to 600mm high (8"-23.5").
- The manufacturer does not accept responsibility for incorrect installation.

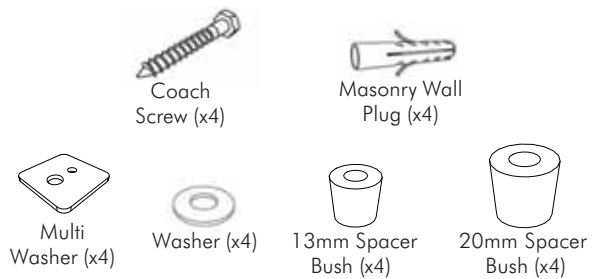
### Component Checklist



#### TOOLS REQUIRED:

- Power Drill
- 12mm (1/2"), 10mm (3/8") or 7mm (1/4") Drill Bit
- Phillips Head Screw Driver
- Spirit Level
- 17mm (11/16") Socket Wrench or Shifter

#### Bits Bag



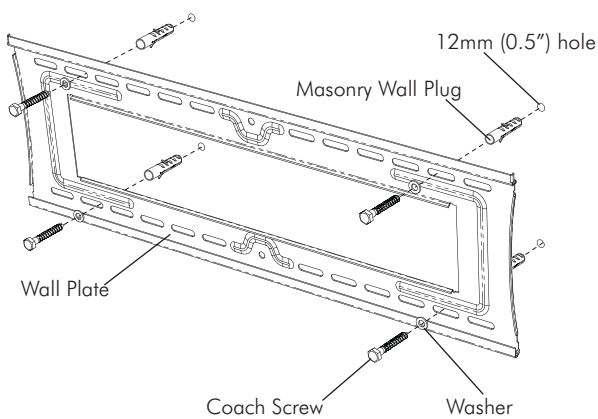
#### Mounting Screws



### A Mounting the Wall Plate

#### Masonry Wall

**Note:** Ensure the Wall Plate is mounted with the folded tabs point upwards

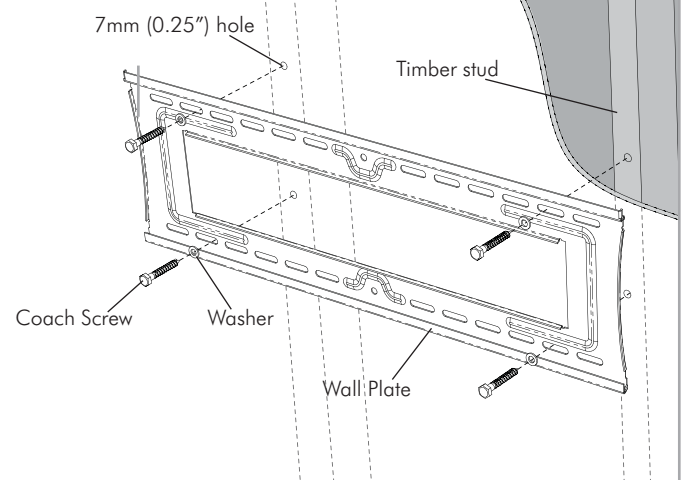


**TIP:** Use a spirit level to ensure the wall plate is horizontal

It is recommended when mounting directly into masonry wall, that the mounting holes are positioned as far apart as possible.

#### Timber Stud Wall

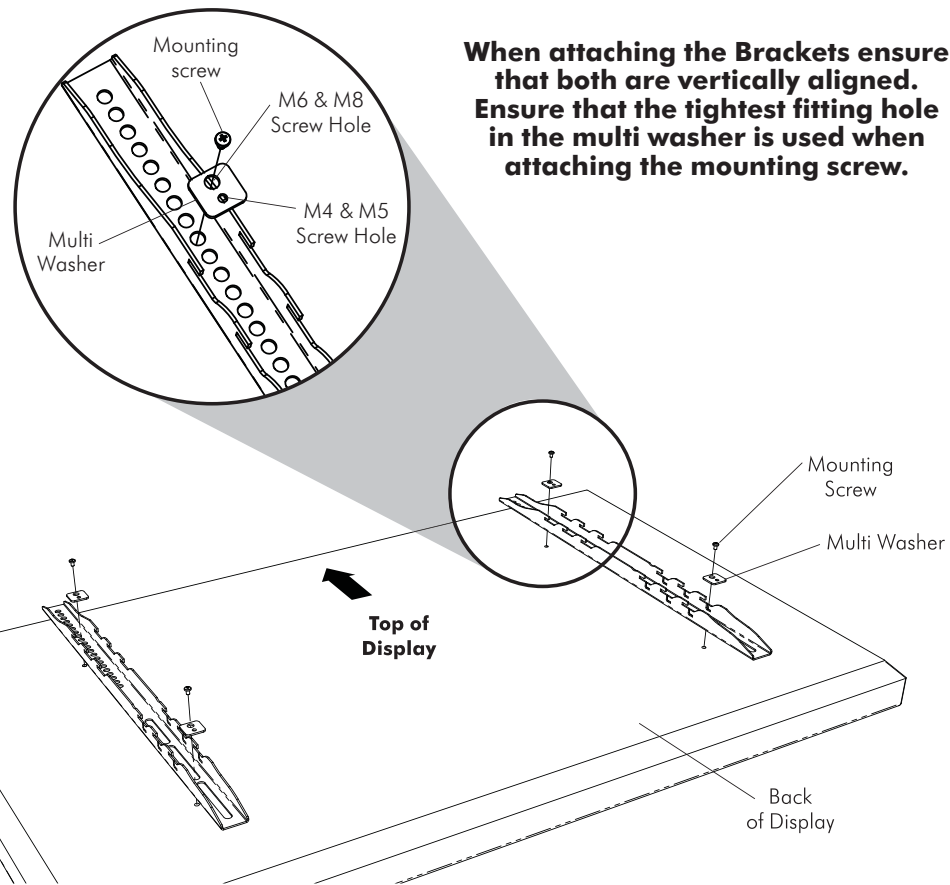
**Note:** Ensure the Wall Plate is mounted with the folded tabs point upwards



**TIP:** Use a spirit level to ensure the wall plate is horizontal

Use a stud finder to precisely locate the timber stud and ensure that the mounting holes are located in the centre of the stud

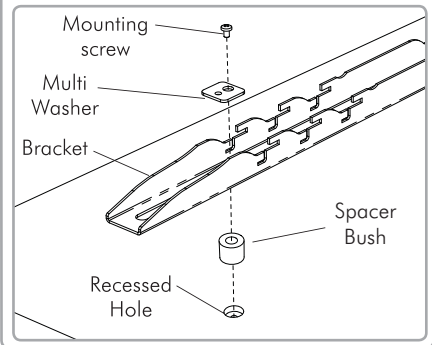
## B Mounting the Display Brackets



### Recessed Mounting Holes

If the mounting holes are recessed into the back of the display, use the appropriate Spacer Bushes provided to pack the recessed hole.

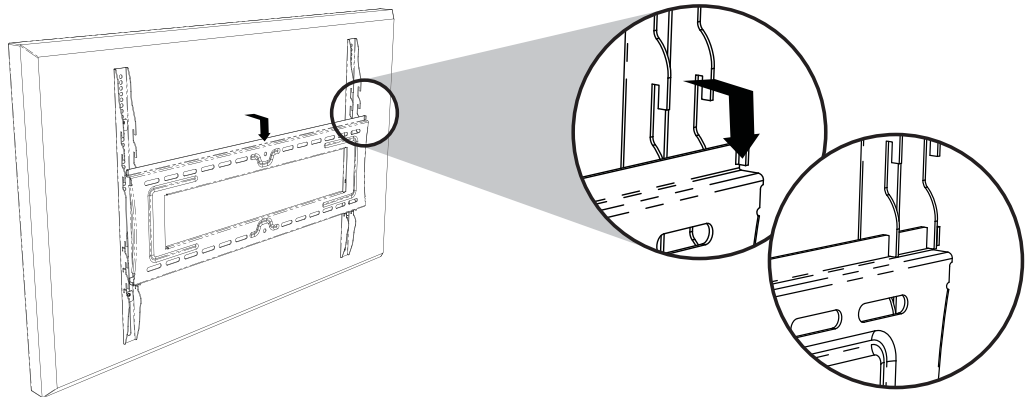
Please note the 13mm Spacer Bushes can only be used with M4, M5, and M6 Mounting screws. Ensure the brackets are securely fixed to the display.



## C Attaching the display to the wall plate

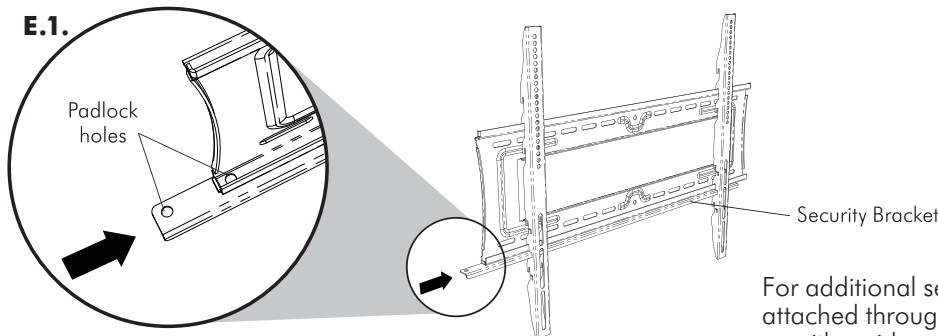
**Note: This procedure will require two persons**

With the Brackets attached to the display, lift the display and hook the brackets onto the Wall Plate as shown. There are three height positions to choose from in 50mm (2") increments.

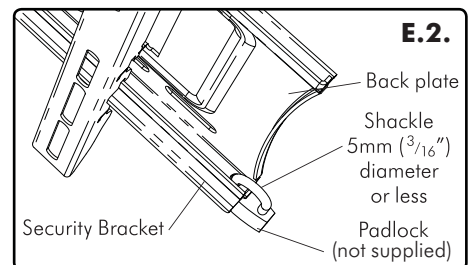


## E Security Option

**E.1.**



**E.2.**



For additional security, it is suggested that a Padlock is attached through the Security Bracket and the Wall Plate on either side as shown. The Padlock (not supplied) should have a shackle diameter no larger than 5mm ( $\frac{3}{16}$ ").