

M100 Quick Install Guide

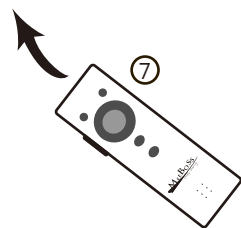
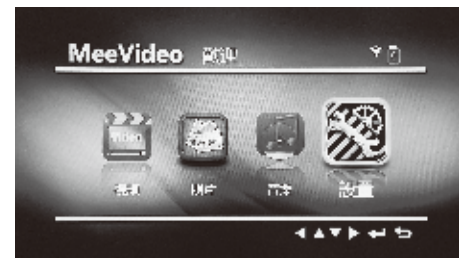
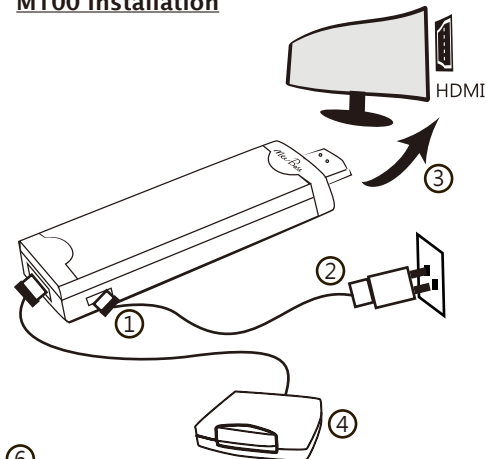
What's in the Box

- MeeBoss M100
- Micro USB cable
- USB Power Adapter
- Remote Control Receiver
- Remote Control
- Quick Install Guide

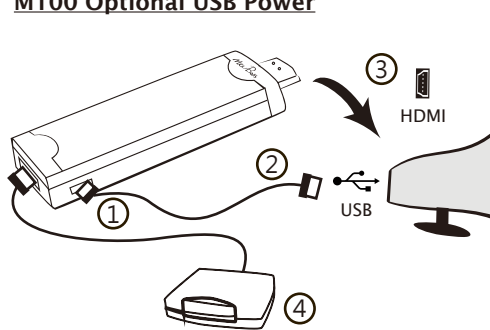
M100 Installation

1. Connect the micro USB cable to the M100.
2. Connect the other end of the micro USB to the power adapter or, if available on your TV, connect to a powered USB port. (See Diagrams)
3. Connect the M100 to your TV through the HDMI connector.
4. Connet the remote control receiver to the USB port.
5. Select the correct TV input source for your TV via TV's remote control (HDMI).
6. M100 MeeVideo interface should display on your TV.
7. Use the remote control to control the M100.

M100 Installation



M100 Optional USB Power



Wi-Fi Network

M100 will automatically connect to the last Wi-Fi connection.

1. After the M100 MeeVideo interface displays on TV, select **Settings** on the right side of the screen.
2. Select **Network** on the left side of the screen.
3. Select the same wireless network for both your mobile devices and the M100. Enter the WiFi password if applicable.

* Hit the return button on remote control to go back to homepage.

Troubleshooting

Q. No display on screen after connecting M100 to your TV?

- ⦿ Check if the HDMI connection is secure to the M100 and to your TV.
- ⦿ Look at the name of the ports on your TV to make sure you have the correct TV input source selected.

Q. No Wi-Fi connection on the M100?

- ⦿ Make sure that your mobile devices and the M100 are connected to the same Wi-Fi network.
- ⦿ Make sure the Wi-Fi on your mobile devices are enabled.
- ⦿ Make sure to input the correct WiFi password if applicable.

* More information is available at <http://www.baytrekcorp.com>

Mobile Playback

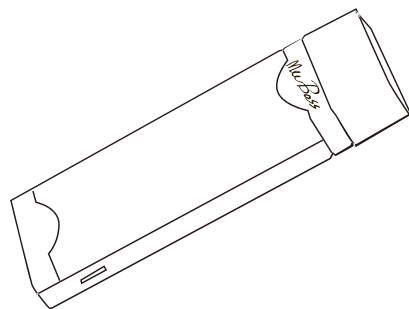
Android:

For Android devices, users will need to download the MeeVideo app from the GooglePlay store in order to stream content from mobile devices. We also highly recommend downloading the iMediaShare app from the Play Store.

iOS:

By default, the M100 is set to play immediately through AirPlay. We also highly recommend downloading the iMediaShare app from the App Store.





M100 Quick Install Guide

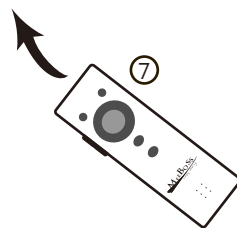
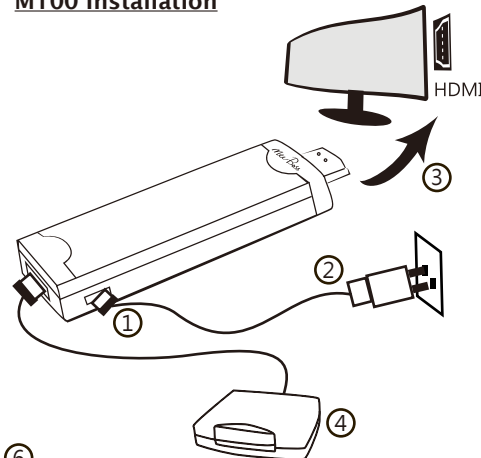
What's in the Box

- MeeBoss M100
- Micro USB cable
- USB Power Adapter
- Remote Control Receiver
- Remote Control
- Quick Install Guide

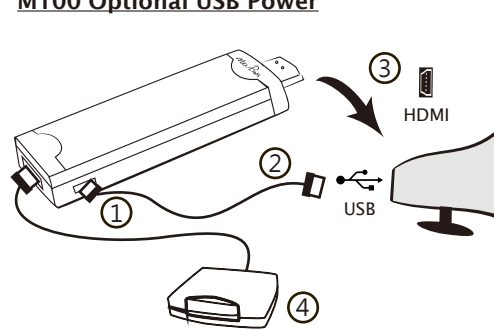
M100 Installation

1. Connect the micro USB cable to the M100.
2. Connect the other end of the micro USB to the power adapter or, if available on your TV, connect to a powered USB port. (See Diagrams)
3. Connect the M100 to your TV through the HDMI connector.
4. Connet the remote control receiver to the USB port.
5. Select the correct TV input source for your TV via TV's remote control (HDMI).
6. M100 MeeVideo interface should display on your TV.
7. Use the remote control to control the M100.

M100 Installation



M100 Optional USB Power



Wi-Fi Network

M100 will automatically connect to the last Wi-Fi connection.

1. After the M100 MeeVideo interface displays on TV, select **Settings** on the right side of the screen.
2. Select **Network** on the left side of the screen.
3. Select the same wireless network for both your mobile devices and the M100. Enter the WiFi password if applicable.

* Hit the return button on remote control to go back to homepage.

Troubleshooting

Q. No display on screen after connecting M100 to your TV?

- ⦿ Check if the HDMI connection is secure to the M100 and to your TV.
- ⦿ Look at the name of the ports on your TV to make sure you have the correct TV input source selected.

Q. No Wi-Fi connection on the M100?

- ⦿ Make sure that your mobile devices and the M100 are connected to the same Wi-Fi network.
- ⦿ Make sure the Wi-Fi on your mobile devices are enabled.
- ⦿ Make sure to input the correct WiFi password if applicable.

* More information is available at <http://www.baytrekcorp.com>

Mobile Playback

Android:

For Android devices, users will need to download the MeeVideo app from the GooglePlay store in order to stream content from mobile devices. We also highly recommend downloading the iMediaShare app from the Play Store.

iOS:

By default, the M100 is set to play immediately through AirPlay. We also highly recommend downloading the iMediaShare app from the App Store.

