

MAINTENANCE

Clean this unit with a soft, dry cloth. Never use alcohol, paint thinner or benzene to clean this unit.

PRODUCT SERVICE

1) **Damage requiring service:** The unit should be serviced by qualified service personnel if:

- (a)The DC power supply cord or AC adaptor has been damaged;
- (b)Objects or liquids have gotten into the unit;
- (c)The unit has been exposed to rain;
- (d)The unit does not operate normally or exhibits a marked change in performance;
- (e)The unit has been dropped or the cabinet damaged.

2) **Servicing Personnel:** Do not attempt to service the unit beyond that described in these operating instructions. Refer all other servicing to authorized servicing personnel.

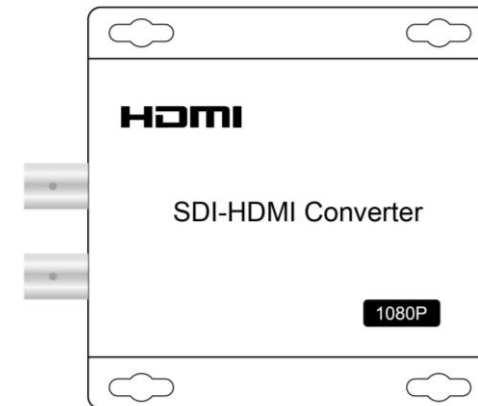
3) **Replacement parts:** When parts need replacing ensure the servicer uses parts specified by the manufacturer or parts that have the same characteristics as the original parts. Unauthorized substitutes may result in fire, electric shock, or other hazards.

4) **Safety check:** After repairs or service, ask the servicer to perform safety checks to confirm that the unit is in proper working condition.

HDMI Converter

MODEL: SDH-R01

Operating Instructions



Dear Customer

Thank you for purchasing this product. For optimum performance and safety, please read these instructions carefully before connecting, operating or adjusting this product. Please keep this manual for future reference.

FEATURES

- SDI/HD-SDI to HDMI
- Equalized Looping SDI/HD-SDI output
- Support 1080p@25Hz, 1080p@29.97Hz, 1080p@30Hz, 1080P@60Hz
- Compliant HDCP
- Uses 5V power

NOTICE

Our company reserves the right to make changes in the hardware, packaging and any accompanying documentation without prior written notice.

TABLE OF CONTENTS

Specifications
Package Contents
Panel Descriptions
Connecting and Operating
Maintenance
Product service
Warranty

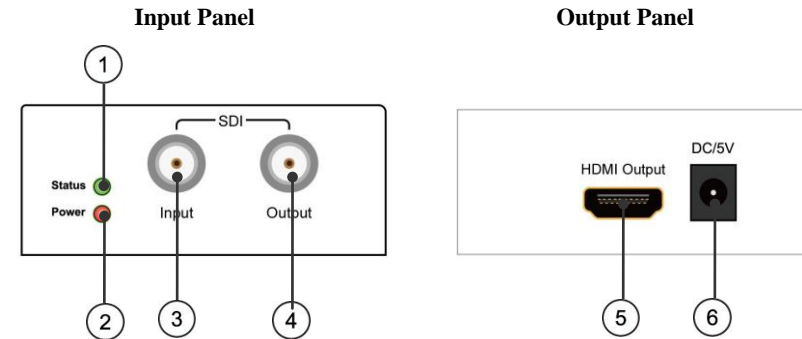
SPECIFICATIONS

Operating Temperature	-5 to +35°C(+23 to +95°F)
Operating Humidity	5 to 90%RH (No Condensation)
Input Formats	1080i @50/59.94/60Hz, 1080p@25Hz,1080p@29.97Hz,1080p@30Hz,1080P@60Hz
Video Input	3G-SDI/HD-SDI/SDI
Outputs	HDMI 1 Looping SDI/HD-SDI output of the SDI input (75 ohm, impedance)
HDMI	Standard Type A connector
HDCP	Compliant HDCP
Power consumption	2.5watts(Maximum)
Dimension (L×W×H)	95x95x29mm
Net Weight	245g

Note: Specifications are subject to change without notice. Mass and dimensions are approximate.

PACKING CONTENTS

- 1) Main Unit. SDI-HDMI converter
- 2) DC5V 1A Power Supply.
- 3) Operating Instructions

PANEL DESCRIPTIONS

- 1) Indicator of HDMI Output
- 2) Indicator of power Input
- 3) SDI/HD-SDI input port
- 4) SDI/HD-SDI output port
- 5) HDMI output port
- 6) Power input

Connecting and Operating

1. Ensure the Converter is disconnected from power.
 2. Connect source to the SDI input and sink to HDMI output and SDI output .
 3. Connect 5VDC power to the converter.
- Attention: Insert/Extract cable gently

Typical Application