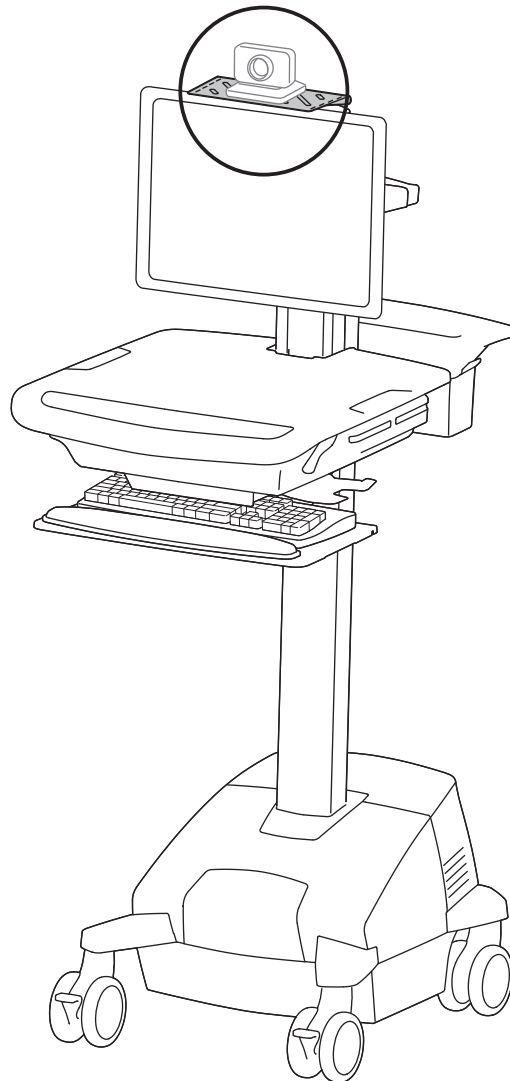


ergotron[®]

StyleView[®] Camera Shelf



NOTE: camera is supplied by customer.

English

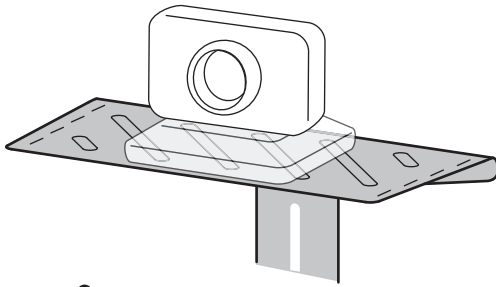


For the latest User Installation Guide please visit: www.ergotron.com

English, Español, Français, Deutsch, Nederlands, Italiano, Svenska, 日本語, 汉语

www.ergotron.com | USA: 1-800-888-8458 | Europe: +31 (0)33-45 45 600 | China: 400-120-3051 | Japan: japansupport@ergotron.com

Features & Specifications



Max weight: 2 lbs (1 kg)





Weight Capacity Limitations for Carts with Added Camera Shelf					
	SV41	SV42 SLA	SV42 LiFe	SV31	SV32
LCD Arm or 5" Lift Pivot without lock-out	10 lbs. (4.5 kg)	10 lbs. (4.5 kg)	7 lbs. (3.2 kg)	12 lbs. (5.4 kg)	12 lbs. (5.4 kg)
5" Lift with lock-out	16 lbs. (7.3 kg)	16 lbs. (7.3 kg)	16 lbs. (7.3 kg)	16 lbs. (7.3 kg)	16 lbs. (7.3 kg)



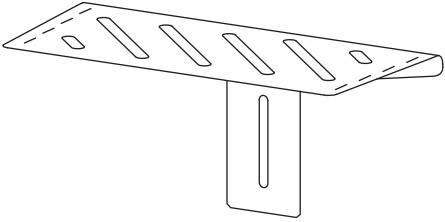
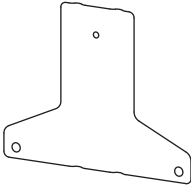
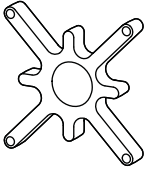



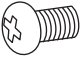

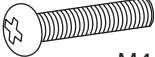
CAUTION: Do Not Exceed Maximum Listed Weight Capacity. Failure to heed this caution may cause serious Injury or property damage to occur.

Hazard Symbols Review

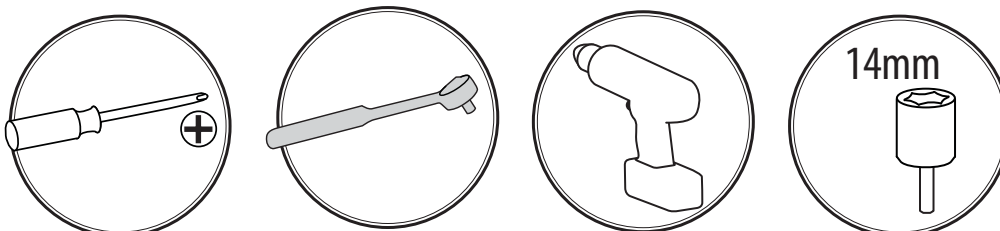
These symbols alert users of a safety condition that demands attention. All users should be able to recognize and understand the significance of the following Safety Hazards if encountered on the product or within the documentation. Children who are not able to recognize and respond appropriately to Safety Alerts should not use this product without adult supervision!

Symbol	Signal Word	Level of Hazard
	NOTE	A NOTE indicates important information that helps you make better use of this product.
	CAUTION	A CAUTION indicates either potential damage to hardware or loss of data and tells you how to avoid the problem.
	WARNING	A WARNING indicates either potential for property damage, personal injury, or death.
	ELECTRICAL	An Electrical indicates an impending electrical hazard which, if not avoided, may result in personal injury, fire and/or death.

Components

	A	B	C
1	1x 	1x 	1x 
2	1x 	1x 	1x 
3	1x  M4 x 6mm	2x  M4 x 14mm	4x  M4 x 25mm

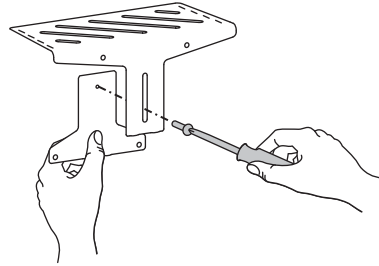
Tools Needed



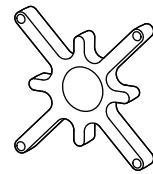
CAUTION: Do Not Exceed Maximum SV LCD Cart Weight Capacity 35 lbs. (16 kg). This is the sum of LCD monitor, CPU, keyboard/mouse, camera and any worksurface load, including drawers, if present. Failure to heed this caution may cause serious Injury or property damage to occur.

- 1** a. Attach shelf to bracket using the provided M4x6mm Phillips screw.

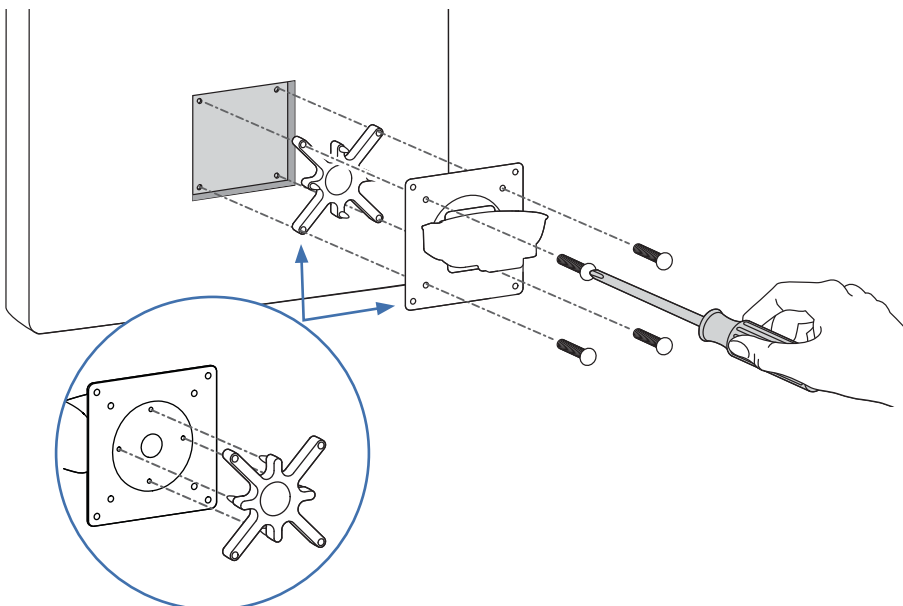
1x  M4 x 6mm



If your monitor has recessed mounting holes, you need to add the provided spacer between the monitor and the mounting plate.



- Remove the monitor from the cart and set aside on a clean and level surface. The monitor screws can be discarded.
- Attach the spacer to the monitor with the four provided M4x25mm Phillips screws.
- Reattach the monitor to the cart.
- When following step 2 instructions on next page, DO NOT discard the M4x25mm screws. They should be used to mount the shelf/bracket assembly.



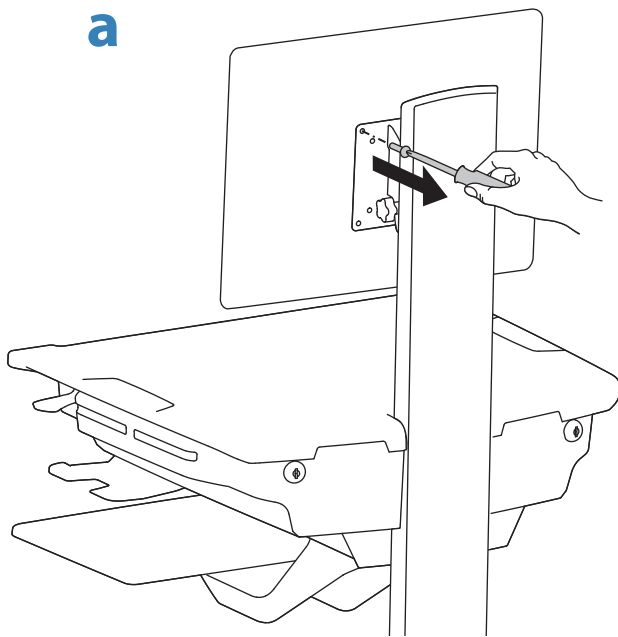
2

a. Remove the top, left screw and discard. (If using spacer, do not discard the screw!)

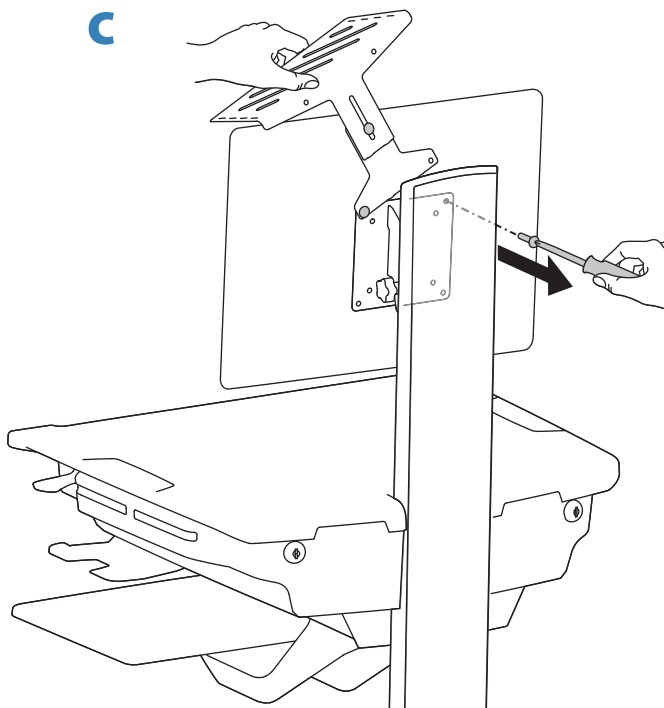
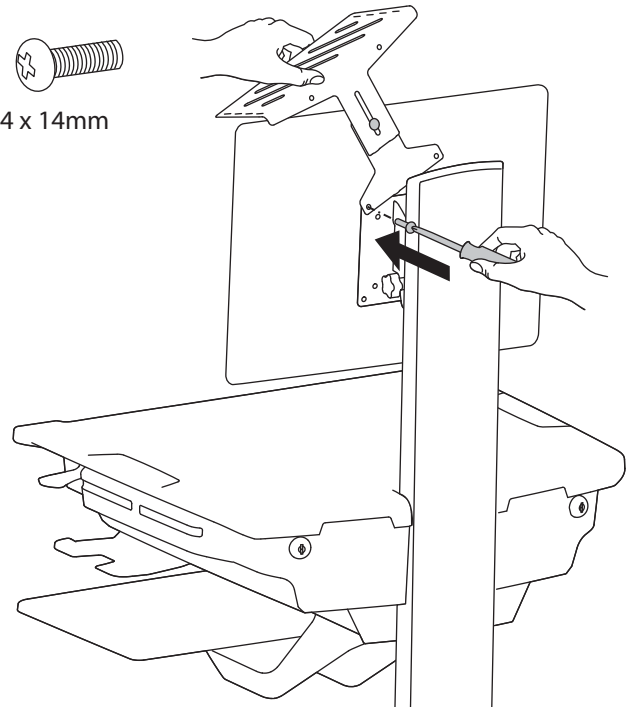
b. Slip the shelf/bracket assembly behind the monitor plate and insert one of the provided M4x14mm Phillips screw into the top, left hole. (If using spacer, reinsert the M4x25mm screw removed in step 2a, above.) Allow screw to be secure but not tight.

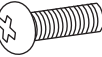
c. Remove the top, right screw and discard. (If using spacer, do not discard the screw!)

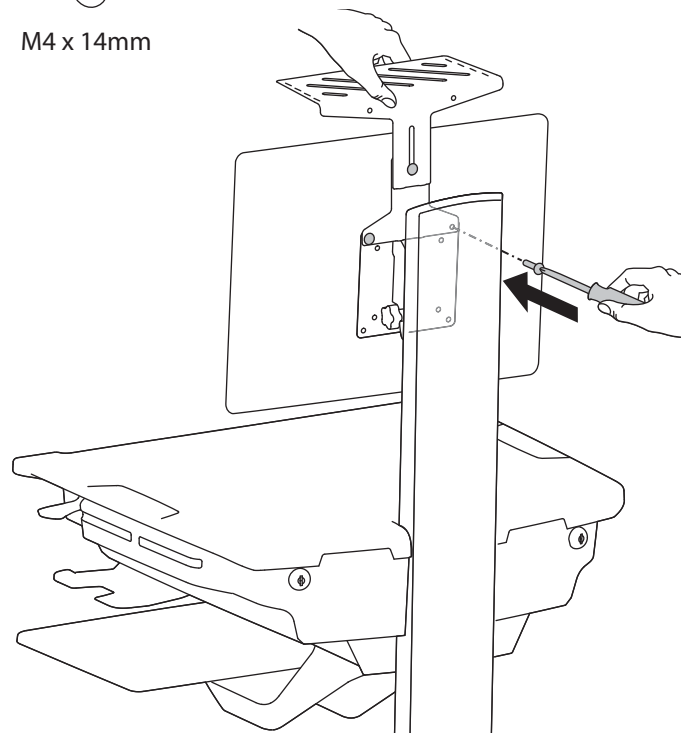
d. Slip the other end of the shelf/bracket assembly behind the monitor plate and insert a M4x14mm Phillips screw into the top, right hole. (If using spacer, reinsert the M4x25mm screw removed in step 2c, above.) Tighten both top screws.



b 2x 
M4 x 14mm

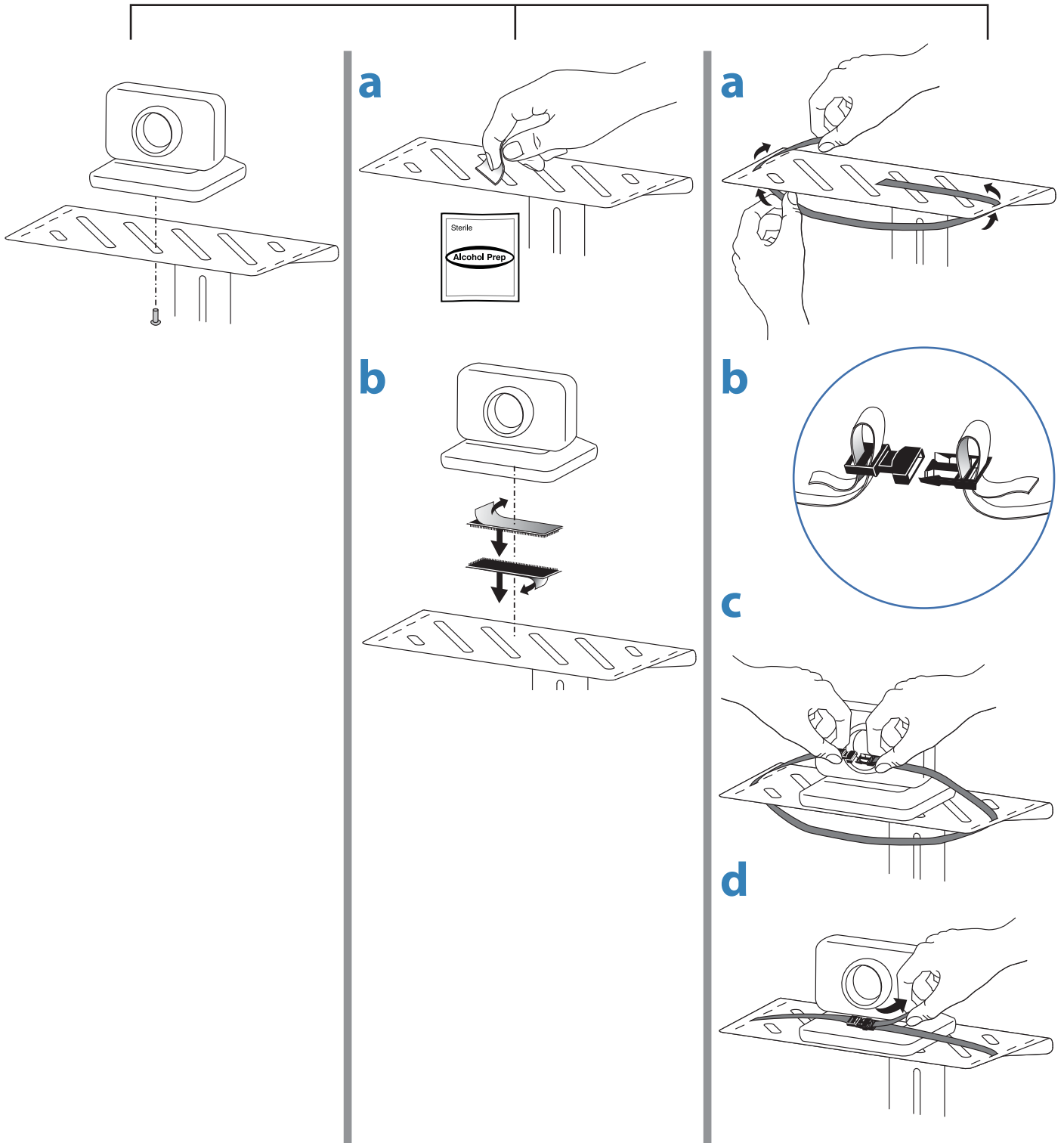


d 2x 
M4 x 14mm



3

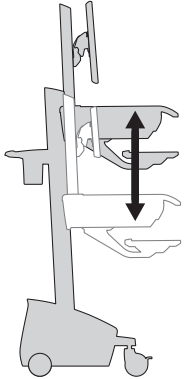
3 Mounting Options



4 Adjustment Step



Lift – Up and down

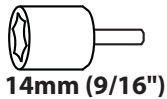


Once the camera has been mounted to the shelf, it is important that you adjust the lift tension for the additional weight. Test the lift tension by moving the head unit up and down. If it travels smoothly and easily through the full range of motion, and does not drift up or sag down from the place you set it, the tension is good. If not, adjust as directed below:

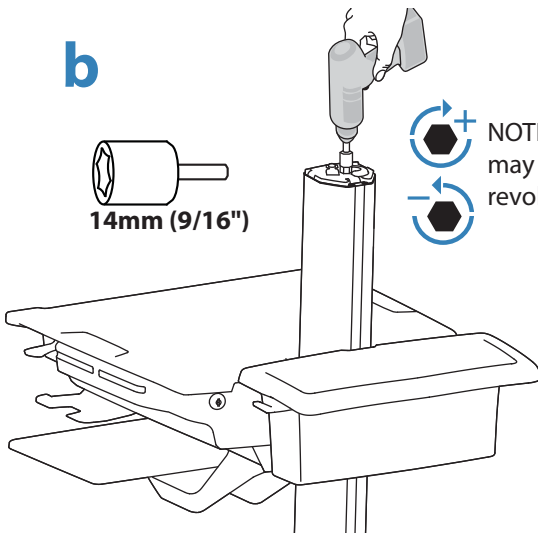
To change lift tension:

- a. Remove cap.
- b. Turn adjustment nut with a 14mm (9/16") socket head.
- c. Test lift tension by lifting head unit up and down.
- d. When desired lift tension has been achieved, replace cap.

b

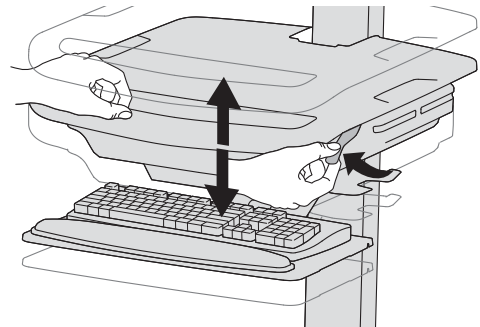


14mm (9/16")



NOTE: Adjustment may require 40 - 60 revolutions.

c



ergotron®

For Warranty visit: www.ergotron.com/warranty

For Service visit: www.ergotron.com

For local customer care phone numbers visit: <http://contact.ergotron.com>

www.ergotron.com | USA: 1-800-888-8458 | Europe: +31 (0)33-45 45 600 | China: 400-120-3051 | Japan: japansupport@ergotron.com

© 2013 Ergotron, Inc. All rights reserved.

While Ergotron, Inc. makes every effort to provide accurate and complete information on the installation and use of its products, it will not be held liable for any editorial errors or omissions (including those made in the process of translation from English to another language), or for incidental, special or consequential damages of any nature resulting from furnishing this instruction and performance of equipment in connection with this instruction. Ergotron, Inc. reserves the right to make changes in the product design and/or product documentation without notification to its users. For the most current product information, or to know if this document is available in languages other than those herein, please contact Ergotron. No part of this publication may be reproduced, stored in a retrieval system, or transmitted in any form or by any means, electronic, mechanical, photocopying, recording or otherwise without the prior written consent of Ergotron, Inc., 1181 Trapp Road, Eagan, Minnesota, 55121, USA. Patents Pending and Patented U.S. & Foreign. Ergotron is a registered trademark of Ergotron, Inc.