

**WARRANTY  
REGISTRATION**  
Register online today for a  
chance to win a FREE Tripp Lite  
product. [www.tripplite.com/warranty](http://www.tripplite.com/warranty)



# Owner's Manual

## Wall-Mounted SmartRack™ Enclosure

Model: **SRW12U13**

### Table of Contents

<b>1. Important Safety Instructions</b>	<b>2</b>	<b>6. Wall Mounting the Enclosure</b>	<b>5</b>
<b>2. Overview</b>	<b>2</b>	<b>7. Equipment Installation</b>	<b>6</b>
<b>3. Feature Identification</b>	<b>2</b>	7.1 Installing or Removing Cage Nuts	6
<b>4. Enclosure Installation</b>	<b>3</b>	7.2 Alternate Mounting: Tapped Hole Mounting Rail	7
4.1 Preparation	3	<b>8. Storage and Service</b>	<b>8</b>
4.2 Unpacking	3	<b>9. Warranty &amp; Warranty Registration</b>	<b>8</b>
4.3 Ground Connection	3	<b>Español</b>	<b>10</b>
<b>5. Enclosure Configuration</b>	<b>4</b>	<b>Français</b>	<b>17</b>
5.1 Door Locks	4		
5.2 Cable Access & Management	4		
5.3 Reversing the Enclosure	4		
5.4 Mounting Rails	5		
5.5 Adjusting Mounting Rail Depth	5		



1111 W. 35th Street, Chicago, IL 60609 USA • [www.tripplite.com/support](http://www.tripplite.com/support)

Copyright © 2012 Tripp Lite. All trademarks are the sole property of their respective owners.

# 1. Important Safety Instructions



## SAVE THESE INSTRUCTIONS

This Manual contains instructions and warnings that must be followed during the installation and operation of the product described in this manual. Failure to comply may invalidate the warranty and cause property damage or personal injury.

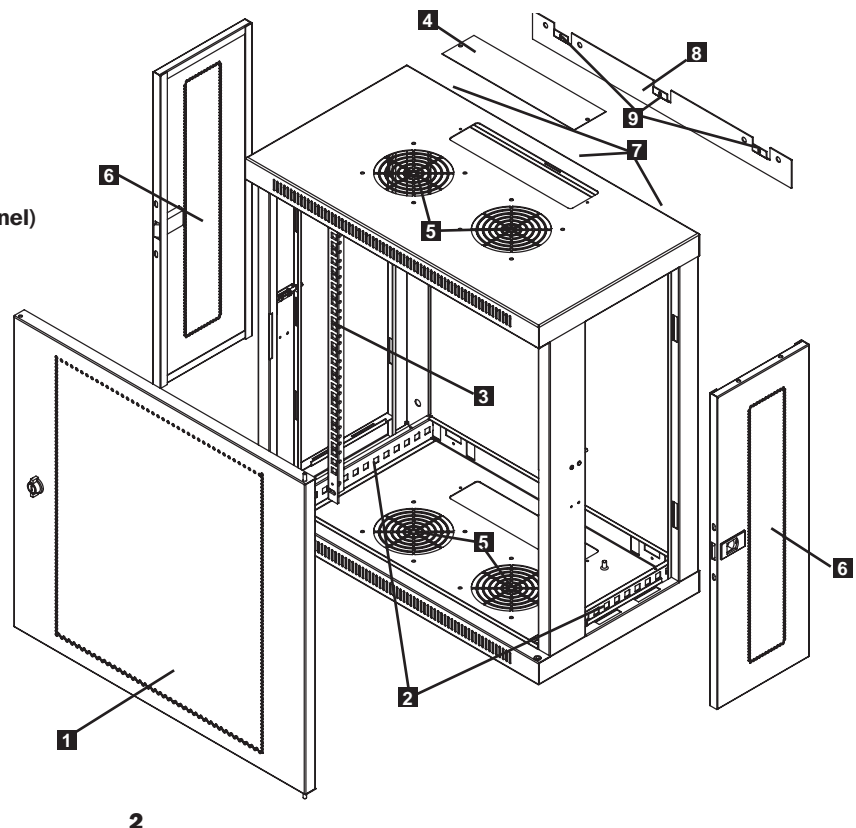
- Keep the enclosure in a controlled indoor environment, away from moisture, temperature extremes, flammable liquids and gasses, conductive contaminants, dust and direct sunlight.
- Leave adequate space at the front and rear of the enclosure for proper ventilation. Do not block, cover or insert objects into the external ventilation openings of the enclosure.
- The enclosure is extremely heavy. Use caution when handling the enclosure. Do not attempt to unpack, move or install it unassisted. Use a mechanical device such as a forklift or pallet jack to move the enclosure in the shipping container.
- Do not place any object on the enclosure, especially containers of liquid, and do not attempt to stack the enclosures.
- Inspect the shipping container and the enclosure for shipping damage. Do not use the enclosure if it is damaged.
- Leave the enclosure in the shipping container until it has been moved as close to the final installation location as possible.
- Install the enclosure in a structurally sound area capable of handling the load, or on a level floor that is able to bear the weight of the enclosure, all equipment that will be installed in the enclosure and any other enclosures and/or equipment that will be installed nearby.
- Use caution when cutting packing materials. The enclosure could be scratched, causing damage not covered by the warranty.
- Save all packing materials for later use. Repacking and shipping the enclosure without the original packing materials may cause product damage that will void the warranty.
- Do not reship the enclosure with additional equipment unless the enclosure was shipped with a special shock pallet ("SP1" models only). The combined weight of the enclosure and installed equipment must not exceed the load capacity of the pallet. Tripp Lite is not responsible for any damage that occurs during reshipment.
- Use of this equipment in life support applications where failure of this equipment can reasonably be expected to cause the failure of the life support equipment or to significantly affect its safety or effectiveness is not recommended. Do not use this equipment in the presence of a flammable anesthetic mixture with air, oxygen or nitrous oxide.

# 2. Overview

SmartRack Enclosures accommodate all standard 19-inch rackmount equipment, regardless of vendor, and ship fully assembled for quick and easy deployment.

# 3. Feature Identification

- 1 Front Door**
- 2 Horizontal Rails**
- 3 Vertical Mounting Rails**
- 4 Removable Cable Access Hole Cover**
- 5 Vents**
- 6 Locking/Removable Side Panels**
- 7 Mounting Notches (found on the enclosure's back panel)**
- 8 Mounting Plate (separate piece)**
- 9 Mounting Hooks (found on the Mounting Plate)**



## 4. Enclosure Installation



**Caution! Read All Instructions and Warnings Before Installation!**



**Warning: Rack enclosures can be extremely heavy. Do not attempt to unpack, move or install the enclosure without assistance. Use extreme caution when handling the enclosure and be sure to follow all handling and installation instructions. Do not attempt to install equipment without first stabilizing the enclosure.**

### 4.1 Preparation

The enclosure must be installed in a structurally sound area that is able to bear the weight of the enclosure, all the equipment that will be installed in the enclosure and any other enclosures and/or equipment that will be installed nearby. Before unpacking the enclosure, you should transport the shipping container closer to the final installation location to minimize the distance you will need to move the unit after the protective packaging has been removed. If you plan to store the enclosure for an extended period before installation, follow the instructions in the **Storage and Service** section.

You need several tools:

- Level
- Phillips-head Screwdriver
- Appropriate tools for wall mounting

You also need the following hardware:

- Appropriate hardware for wall mounting (not included)

### 4.2 Unpacking



**Use at least two people to unpack the enclosure.**



- 1 Move shipping pallet to a firm, level surface.
- 2 Open box and remove the four foam corner protectors. Save all packing materials for later use unless you are certain they will not be required. Packing materials are recyclable.
- 3 With one person on each side, carefully lift the enclosure out of the box and place on a firm, level surface.
- 4 Examine the enclosure for any damage or loose parts. Confirm all parts are present. If anything is missing or damaged, contact Tripp Lite for assistance. Do not attempt to use the enclosure if it has been damaged.



**Never extend more than one component from the enclosure at a time.**

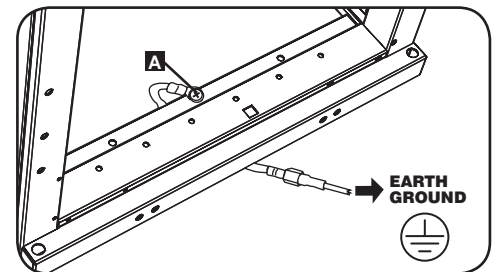


**Warning: Never attempt to lift or install without adequate help. Do not try lifting the enclosure alone.**



### 4.3 Ground Connection

All parts of the enclosure are grounded to the frame of the enclosure. Use the enclosure's front or rear threaded grounding point **A** and an M6 screw (included) to connect the frame of the enclosure directly to your facility's earth ground connection with an 8 AWG (3.264 mm) wire. Route the ground wire under the enclosure's frame to ensure unhindered door operation. **Warning:** Attach each enclosure to earth ground separately. Do not use the enclosure without an earth ground connection.

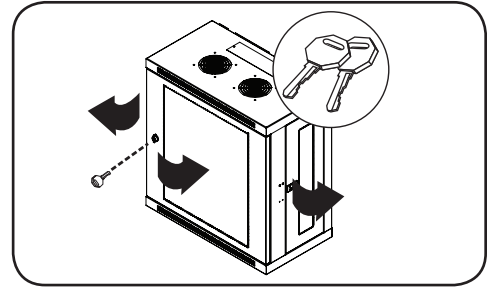


## 5. Enclosure Configuration

Before installation, be sure to plan the location and arrangement of components within the enclosure. Be sure all mounting rails are reversed or adjusted for depth, depending on your equipment configuration.

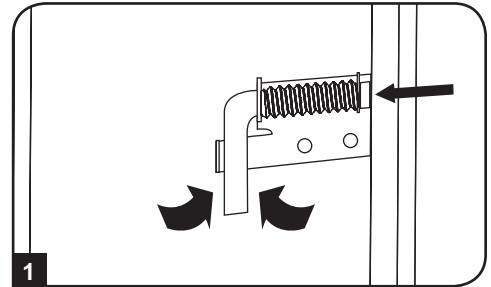
### 5.1 Door Locks

The front and back doors have locks that are accessible by the included keys.

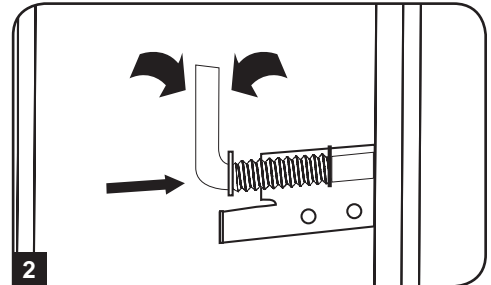


Each side panel locks using an L-shaped lever on the inside of the enclosure.

**1** To unlock and remove the side panels, lift the shorter leg of the “L” up and pull it away from the side panel. Pull the tab on the side panel and remove it from the enclosure.

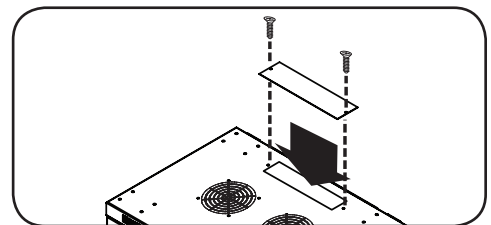


**2** To re-lock the side panels, secure it in the proper position, lift the shorter leg of the “L” up and push it toward the side panel, back into the hole that it was in initially. Once it is in place, push the shorter leg of the “L” down to lock it. *Note: To lock and unlock the side panels, you will need to have access to the interior of the enclosure.*



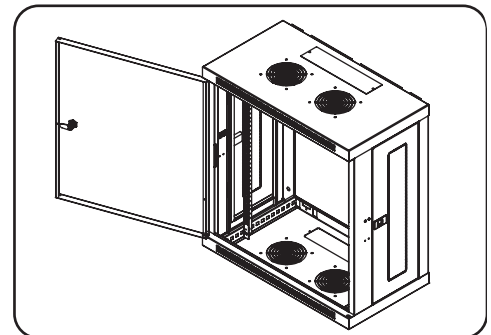
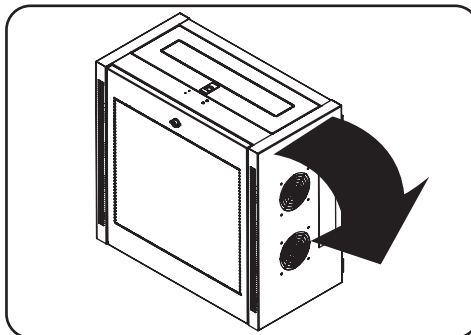
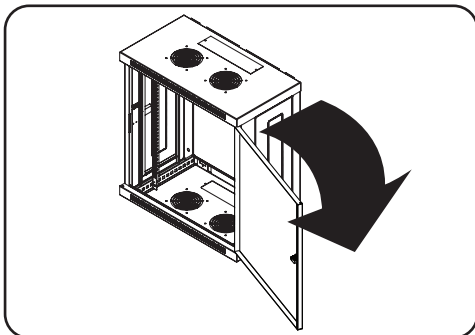
### 5.2 Cable Access and Management

The top of the cabinet has rectangular opening for cable access and management. This opening can be opened or closed by unscrewing or screwing in the removable cable access panel.



### 5.3 Reversing the Enclosure

In order to accommodate various rack configurations, the enclosure can be reversed. To do so, simply turn the enclosure over so that the doors open in the opposite direction.

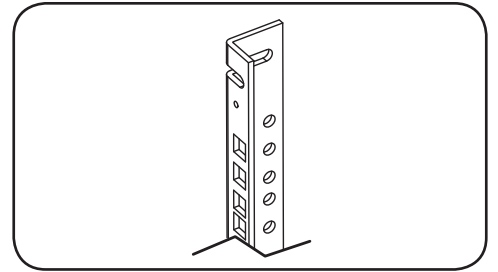




## 5. Enclosure Configuration continued

### 5.4 Mounting Rails

The enclosure comes with mounting rails that have square holes (default position) and tapped holes for mounting rack equipment. To install equipment, use the included cage nuts and other hardware. (See page 6 for installation of cage nuts.) **Warning: Be sure to have the enclosure securely mounted to the wall, or in its final position on the floor before mounting any equipment inside. Also be sure to have all the right adjustments on your rails before mounting equipment. (See below for Adjusting Mounting Rail Depth.)**

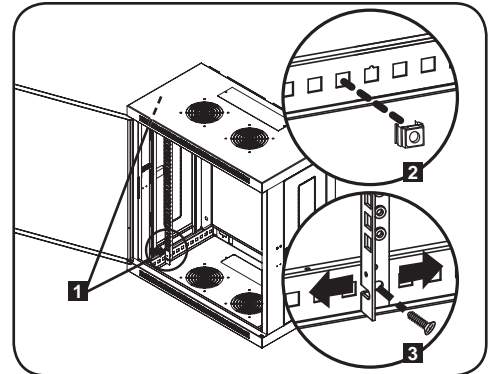


### 5.5 Adjusting Mounting Rail Depth

**Warning: Do not attempt to adjust rails while equipment is installed in the enclosure. Do not attempt to use rails without screws installed. (2 per rail.)**

The 2 mounting rails are pre-installed to accommodate standard equipment. Do not adjust the mounting rails unless your equipment requires a different mounting depth.

- 1 Each rail is connected to the enclosure with 2 screws and 2 cage nuts: 1 set in the upper corner and another in the lower corner. Using a Phillips-head screwdriver, remove the screws that fasten the rails to the enclosure.
- 2 Move cage nuts to desired depth and reinstall.
- 3 Slide the mounting rails to the desired depth and reattach them using the screws you removed in Step 1.

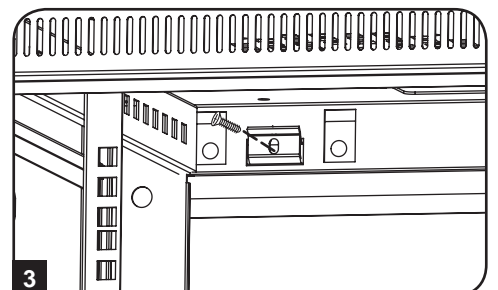
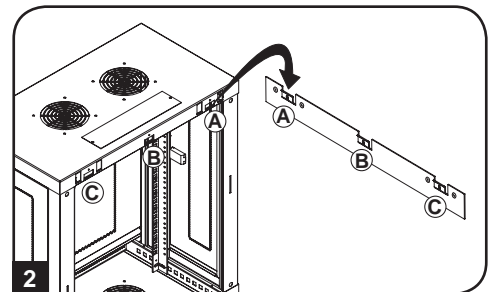
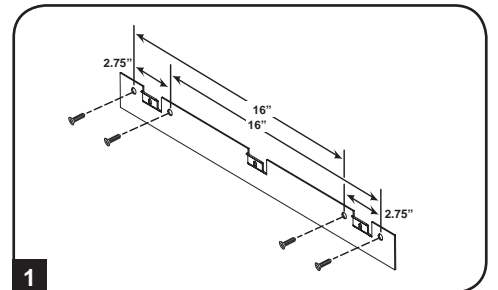


## 6. Wall Mounting the Enclosure

**Warning: Do not attempt to mount the enclosure to the wall with equipment mounted in the enclosure.**

Before mounting, use a level and tape measure to position your mounting area precisely. Be sure to use appropriate fasteners (not included) to secure the enclosure to the wall. **Warning: The area you plan to mount the enclosure to must be able to withstand the weight of the enclosure and all mounted equipment.**

- 1 Using user-supplied hardware, attach the mounting plate to a wall or other suitable mounting surface. Each mounting hole can accommodate an M8 or 5/16" bolt and the holes are spaced 16" apart to accommodate standard stud placement as reflected in the diagram. *Note: When mounting the mounting plate to the wall, be sure the three mounting hooks are facing outwards and away from the wall.*
- 2 After the mounting plate has been securely attached to the mounting surface, hang the enclosure's three mounting notches onto the three mounting hooks on the plate attached to the wall. The notches will fit over the hooks and the enclosure should slide down onto the hooks until secure. *Note: Mounting notches exist on both the upper and lower rails of the back panel. This allows for mounting in the standard or reversed positions.*
- 3 After the mounting plate has been secured and the enclosure hung properly, secure the enclosure to the mounting plate by installing the three supplied screws in the holes on the mounting hooks as shown.

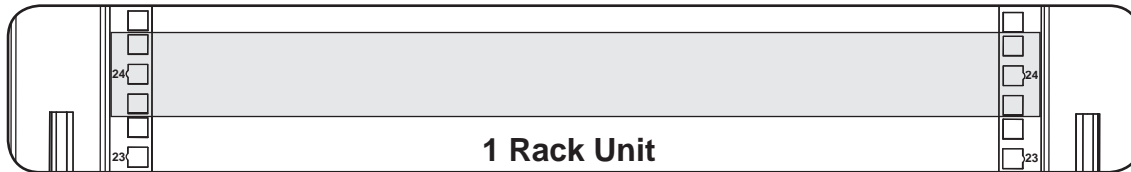


## 7. Equipment Installation

**Warning: Do not install equipment until you have stabilized the enclosure. Install heavier equipment first and install it towards the bottom of the enclosure. Install equipment starting from the bottom of the enclosure and proceeding toward the top of the enclosure - never the reverse. If using sliding equipment rails, be careful when extending the rails. Do not extend more than one set of sliding equipment rails at one time. Avoid extending sliding equipment rails near the top of the enclosure.**

*Note: The unit comes with two different kinds of screws for equipment installation, black and silver. Use the black mounting screws if you are securing your equipment to the square hole side of the mounting rail. Use the silver screws if you are securing your equipment to the tapped hole side of the mounting rail.*

*Note: The square holes in the middle of each rack unit are numbered and also include a small notch to aid identification. A single rack unit includes the space occupied by the numbered hole and the holes directly above and below.*



### 7.1 Installing or Removing Cage Nuts

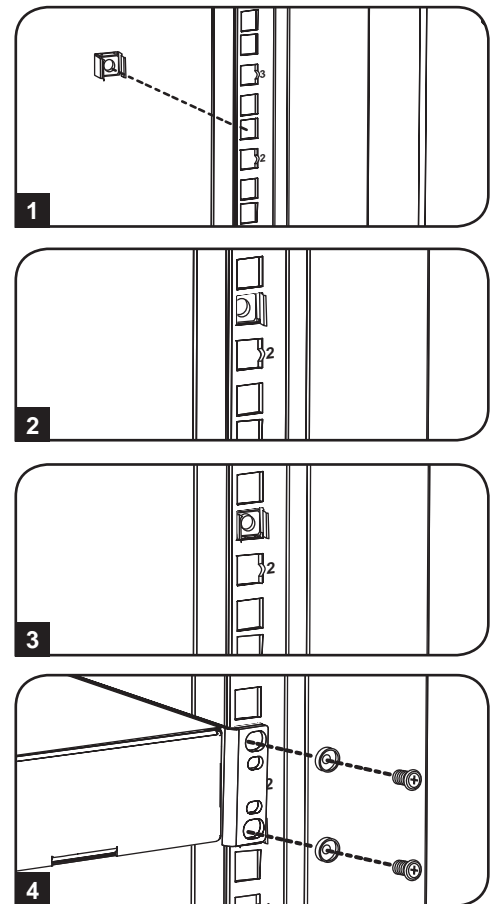
**WARNING: The flanges of the cage nuts should engage the sides of the square opening in the rail, not the top and bottom. Follow the instructions in your equipment documentation to ensure proper installation of your equipment.**

- 1** Locate the numbered square openings in the mounting rails where you plan to install your equipment. You will install cage nuts (included) into the square openings in order to provide an attachment point for the mounting screws (included). *Note: Consult your equipment documentation to determine how many cage nuts will be required and where they will need to be installed.*
- 2** From the inside of the mounting rail, insert one of the flanges of the cage nut through the square opening. Press it against the side of the square opening. Each flange should engage one side of the square opening, not the top or bottom.
- 3** Compress the cage nut at the sides slightly to allow the remaining flange to fit through the square opening. When the cage nut is properly installed, both flanges will protrude through the square opening and will be visible on the outer surface of the mounting rail. Repeat steps 1-3 until all required cage nuts are installed.
- 4** After installing the required cage nuts, use the included black mounting screws and cup washers to secure your equipment to the rack rail. Place the cup washers between the screws and the equipment mounting brackets.

*Note: Your equipment may also include mounting hardware. Read the mounting instructions that came with your equipment before installing your equipment.*

#### To Remove Cage Nuts, Reverse Steps 1-3

*Note: You may wish to use a cage nut tool (user-supplied) to aid cage nut installation and removal.*

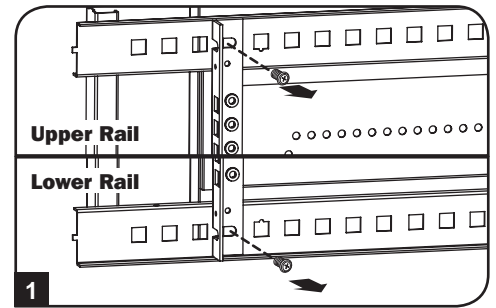


## 7. Equipment Installation continued

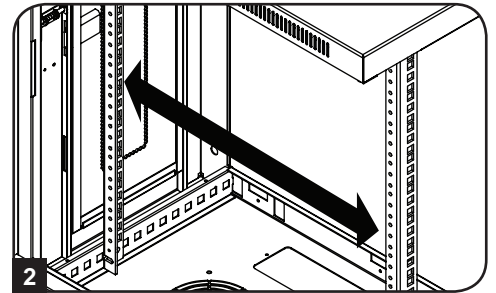
### 7.2 Alternate Mounting: Tapped Hole Mounting Rail

The 2 mounting rails are pre-installed for securing equipment using the square hole side of the mounting rail. To switch to the tapped hole side of the mounting rail, follow the steps below:

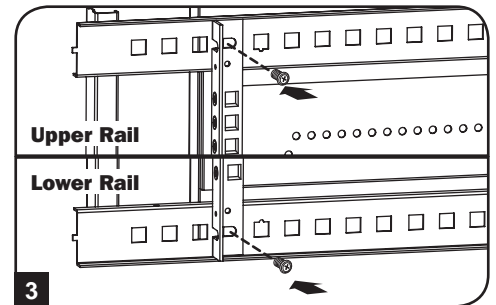
- 1 Each rail is connected to the enclosure with 2 screws: 1 in the upper corner and another in the lower corner. Using a Phillips-head screwdriver, remove the screws that fasten the rails to the enclosure.



- 2 Switch the rail locations. Ensure the tapped hole side of each rail is facing the front door.

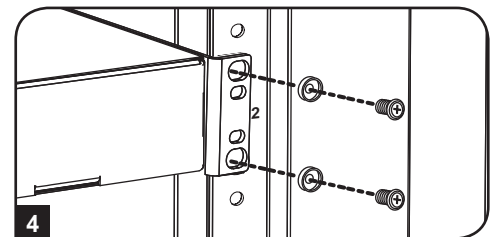


- 3 Reattach the mounting rails.



- 4 Use the included silver mounting screws to secure your equipment to the rack rail. Place the cup washers between the screws and the equipment mounting brackets.

*Note: Your equipment may also include mounting hardware. Read the mounting instructions that came with your equipment before installing your equipment.*



## 8. Storage and Service

### Storage

The enclosure should be stored in a controlled indoor environment, away from moisture, temperature extremes, flammable liquids and gasses, conductive contaminants, dust and direct sunlight. Store the enclosure in its original shipping container if possible.

### Service

The enclosure is covered by the limited warranty described in this manual. For more information, visit [www.tripplite.com/support](http://www.tripplite.com/support).

## 9. Warranty and Warranty Registration

### 5-Year Limited Warranty

Seller warrants this product, if used in accordance with all applicable instructions, to be free from original defects in material and workmanship for a period of 5 years from the date of initial purchase. If the product should prove defective in material or workmanship within that period, Seller will repair or replace the product, at its sole discretion.

THIS WARRANTY DOES NOT APPLY TO NORMAL WEAR OR TO DAMAGE RESULTING FROM ACCIDENT, MISUSE, ABUSE OR NEGLIGENCE. SELLER MAKES NO EXPRESS WARRANTIES OTHER THAN THE WARRANTY EXPRESSLY SET FORTH HEREIN. EXCEPT TO THE EXTENT PROHIBITED BY APPLICABLE LAW, ALL IMPLIED WARRANTIES, INCLUDING ALL WARRANTIES OF MERCHANTABILITY OR FITNESS, ARE LIMITED IN DURATION TO THE WARRANTY PERIOD SET FORTH ABOVE; AND THIS WARRANTY EXPRESSLY EXCLUDES ALL INCIDENTAL AND CONSEQUENTIAL DAMAGES. (Some states do not allow limitations on how long an implied warranty lasts, and some states do not allow the exclusion or limitation of incidental or consequential damages, so the above limitations or exclusions may not apply to you. This warranty gives you specific legal rights, and you may have other rights which vary from jurisdiction to jurisdiction).

**WARNING:** The individual user should take care to determine prior to use whether this device is suitable, adequate or safe for the use intended. Since individual applications are subject to great variation, the manufacturer makes no representation or warranty as to the suitability or fitness of these devices for any specific application.

### Warranty Registration

Visit [www.tripplite.com/warranty](http://www.tripplite.com/warranty) today to register the warranty for your new Tripp Lite product. You'll be automatically entered into a drawing for a chance to win a FREE Tripp Lite product!\*

\* No purchase necessary. Void where prohibited. Some restrictions apply. See website for details.

Tripp Lite has a policy of continuous improvement. Specifications are subject to change without notice.



1111 W. 35th Street, Chicago, IL 60609 USA • [www.tripplite.com/support](http://www.tripplite.com/support)

Copyright © 2012 Tripp Lite. All trademarks are the sole property of their respective owners.

# Manual del propietario

## Rack SmartRack™ para montar en la pared

Modelo: SRW12U13

### Índice

<b>1. Instrucciones de seguridad importantes</b>	<b>10</b>	<b>7. Instalación de equipos</b>	<b>14</b>
<b>2. Generalidades</b>	<b>10</b>	7.1 Instalación o extracción de las tuercas de jaula	<b>14</b>
<b>3. Identificación de las características</b>	<b>10</b>	7.2 Instalación Alternativa: Riel de Instalación con Orificio Roscado	<b>15</b>
<b>4. Instalación del rack</b>	<b>11</b>	<b>8. Almacenamiento y servicio</b>	<b>16</b>
4.1 Preparación	11	<b>9. Garantía y registro de la garantía</b>	<b>16</b>
4.2 Desembalaje	11	English	<b>1</b>
4.3 Conexión a tierra	11	Français	<b>17</b>
<b>5. Configuración del rack</b>	<b>12</b>		
5.1 Cerraduras de las puertas	12		
5.2 Administración y acceso a los cables	12		
5.3 Inversión del rack	12		
5.4 Rieles de montaje	13		
5.5 Ajuste de la profundidad del riel de montaje	13		
<b>6. Montaje del rack a la pared</b>	<b>13</b>		



1111 W. 35th Street, Chicago, IL 60609 USA  
[www.tripplite.com/support](http://www.tripplite.com/support)

Copyright © 2012 Tripp Lite. Todas las otras marcas registradas son propiedad de sus respectivos dueños.

# 1. Instrucciones de seguridad importantes



## GUARDE ESTAS INSTRUCCIONES

Este manual contiene instrucciones y advertencias que deben seguirse durante la instalación y operación del producto descrito en este manual. El incumplimiento invalidará la garantía, pudiendo causar serios daños a la propiedad o lesiones personales.

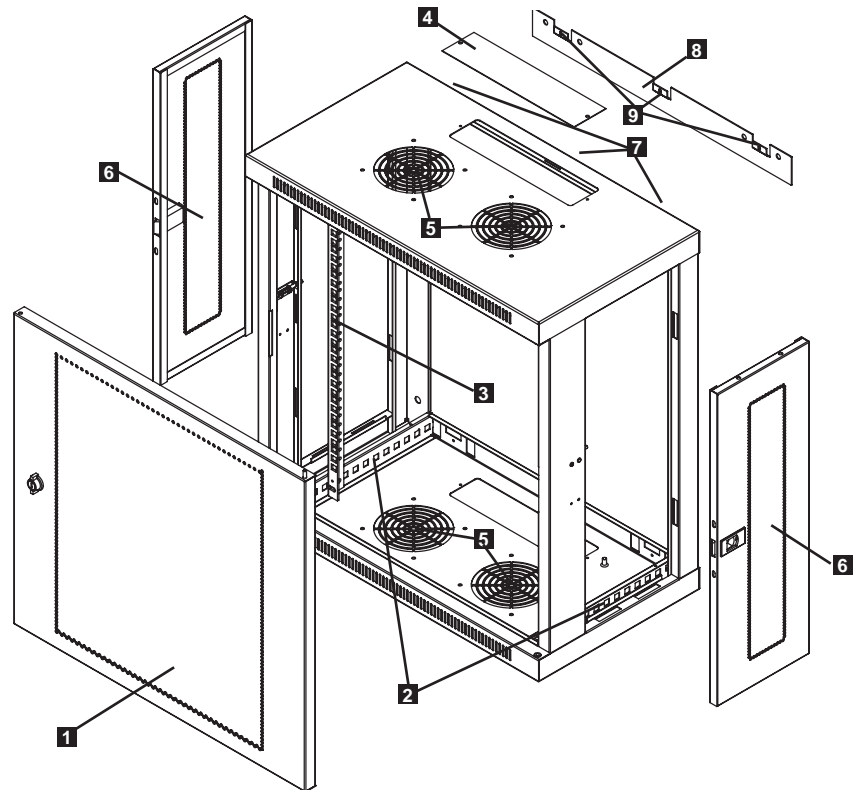
- Mantenga el rack en un ambiente interior controlado, lejos de la humedad, temperaturas extremas, líquidos y gases inflamables, contaminantes conductores, el polvo y la luz directa del sol.
- Deje espacio suficiente en el frente y la parte trasera del rack para una ventilación adecuada. No bloquee, cubra ni inserte objetos en las aberturas de ventilación externa del rack.
- El rack es extremadamente pesado. Manipúlelo con precaución. No intente desembalarlo, moverlo ni instalarlo sin ayuda. Use un dispositivo mecánico, como una horquilla elevadora o un gato para palets para moverlo en el contenedor de envío.
- No coloque ningún objeto sobre el rack, especialmente contenedores de líquido, y no intente apilar los racks.
- Inspeccione el contenedor de envío y el rack para detectar daños producidos durante el transporte. No lo use si está dañado.
- Deje el rack en el contenedor de envío hasta que se lo haya movido lo más cerca posible del lugar de instalación.
- Instale el rack en una zona estructuralmente sana, con piso nivelado que pueda soportar su peso, el de todos los equipos que se instalarán en él y cualquier otro rack y/o equipos que se instalarán cerca.
- Corte el material de embalaje con precaución. El rack podría rayarse causando daños que no están cubiertos por la garantía.
- Guarde los materiales de embalaje para utilizarlos en el futuro. Si el rack se vuelve a embalar y a enviar sin los materiales de embalaje originales, se pueden causar daños que anularán la garantía.
- No vuelva a enviar el rack con equipos adicionales, a menos que haya sido enviado con un pálet especial contra golpes (sólo los modelos "SP1"). El peso combinado del rack y de los equipos instalados no debe exceder la capacidad de carga del pálet. Tripp Lite no se responsabiliza por ningún daño que se produzca durante el reenvío.
- No se recomienda usar este equipo en aplicaciones de mantenimiento artificial de la vida, donde se puede esperar razonablemente que su falla cause la falla del equipo de mantenimiento de la vida o que afecte de manera importante su seguridad o eficiencia. No use este equipo en presencia de mezclas anestésicas inflamables con aire, oxígeno u óxido nitroso.

## 2. Generalidades

Los racks Smart Rack sirven para organizar equipos estándar para montar en rack de 19 pulgadas, independientemente del proveedor, y se envían completamente ensamblados para una implementación rápida y fácil.

## 3. Identificación de las características

- 1** Puerta frontal
- 2** Rieles horizontales
- 3** Rieles de montaje verticales
- 4** Cubierta de los orificios de acceso a los cables desmontables
- 5** Ventilación
- 6** Paneles laterales con cerradura/desmontables
- 7** Muecas de montaje (se encuentran en el panel trasero del rack)
- 8** Placa de montaje (pieza separada)
- 9** Sujetadores de montaje (se encuentran en la placa de montaje)



10

## 4. Instalación del rack



**¡Precaución! Lea todas las instrucciones y advertencias antes de la instalación.**



**Advertencia: Los racks pueden ser extremadamente pesados. No intente desembalarlo, moverlo ni instalarlo sin ayuda. Use máxima precaución al manipularlo y asegúrese de seguir todas las instrucciones de manipulación e instalación. No intente instalar equipos sin estabilizar primero el rack.**

### 4.1 Preparación

El rack se debe instalar en una zona estructuralmente sana que pueda soportar su peso, el de todos los equipos que se instalarán en él y cualquier otro rack y/o equipos que se instalarán cerca. Antes de desembalar el rack, debería transportar el contenedor de envío lo más cerca posible de la ubicación de instalación final para minimizar la distancia que necesitará moverlo después de quitarle el embalaje protector. Si planea almacenarlo durante un período prolongado antes de instalarlo, siga las instrucciones de la sección **Almacenamiento y servicio**.

Necesitará algunas herramientas:

- Nivel
- Destornillador Philips
- Herramientas adecuadas para el montaje en la pared

También necesita las siguientes herramientas:

- Herramientas adecuadas para el montaje en la pared (no incluidas)

## 4. Instalación del rack (continuación)

### 4.2 Desembalaje



**Utilice al menos dos personas para desembalar el rack.**



- 1 Mueva el pálet de envío hacia una superficie firme y nivelada.
- 2 Abra la caja y extraiga los cuatro protectores de goma espuma (gomapluma). Guarde todos los materiales de embalaje para uso futuro, a menos que esté seguro de que no serán necesarios. Los materiales de embalaje son reciclables.
- 3 Con una persona de cada lado, eleve el rack con cuidado hacia afuera del pálet y colóquelo en una superficie firme y nivelada.
- 4 Examine el rack para detectar daños o partes sueltas. Confirme que estén todas las partes. Si algo falta o está dañado, comuníquese con Tripp Lite para obtener ayuda. No intente usar el rack si está dañado.



**Nunca extienda más de un componente del rack a la vez.**

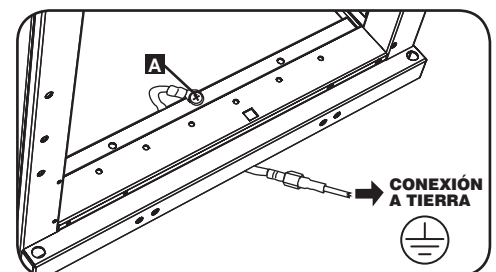


**Advertencia: Nunca intente elevar o instalar el rack sin la ayuda adecuada. No intente elevar el rack usted solo.**



### 4.3 Conexión a tierra

Todas las partes del rack se deben conectar a tierra al marco del rack. Use el punto roscado de conexión a tierra del frente o de la parte trasera del rack **A** y un tornillo M6 (incluido) para conectar el marco del rack directamente a la conexión a tierra de su planta con un alambre 8 AWG (3,264 mm). Guíe el alambre a tierra por debajo del marco del rack para asegurar que las puertas funcionen correctamente. Advertencia: Conecte cada rack a tierra por separado. No use el rack sin una conexión a tierra.



## 5. Configuración del rack

Antes de la instalación, asegúrese de planificar la ubicación y distribución de los componentes dentro del rack. Asegúrese de que todos los rieles de montaje estén al revés o ajustados según la profundidad, de acuerdo a la configuración del equipo.

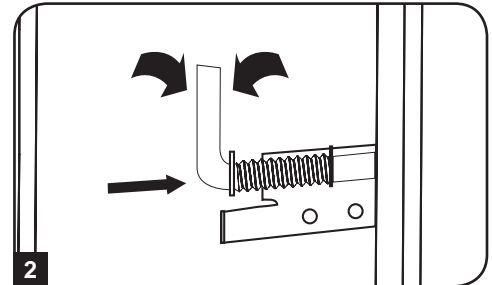
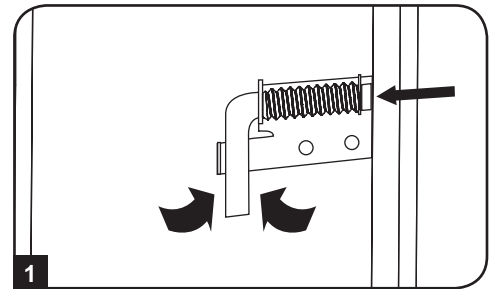
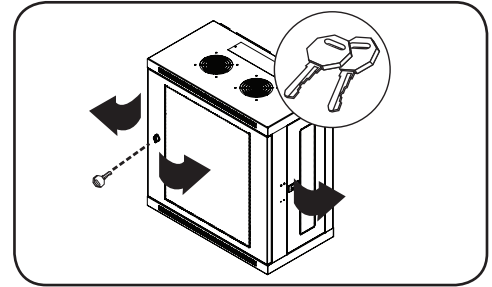
### 5.1 Cerraduras de las puertas

Las puertas delanteras y traseras poseen cerraduras con llaves incluidas para acceder a ellas.

Cada panel lateral se cierra mediante una palanca en forma de L en el interior del rack.

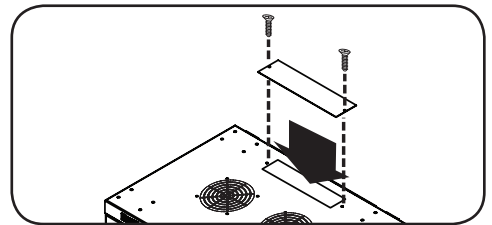
**1** Para desbloquear y extraer los paneles laterales, eleve la pata más corta de la "L" y tire de ella hacia fuera del panel lateral. Tire de la pestaña del panel lateral y extráigalo del rack.

**2** Para volver a bloquear los paneles laterales, asegúrelos en la posición correcta, eleve la pata más corta de la "L" y empujela hacia el panel lateral, en el orificio en el que se encontraba originalmente. Una vez que esté ubicado, empuje la pata más corta de la "L" para bloquear. *Nota: Para bloquear y desbloquear los paneles laterales, deberá tener acceso al interior del rack.*



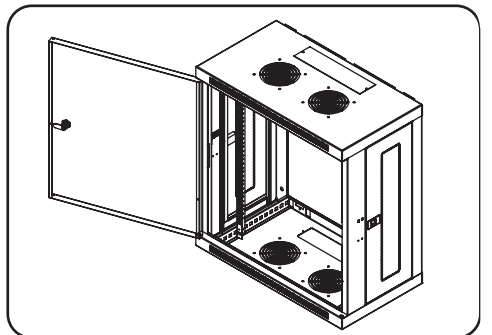
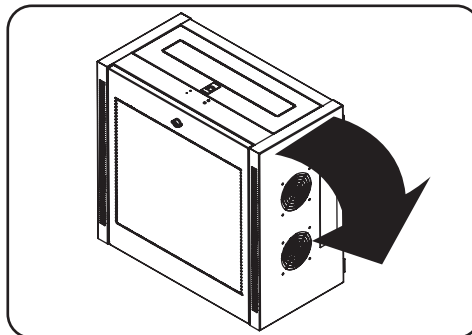
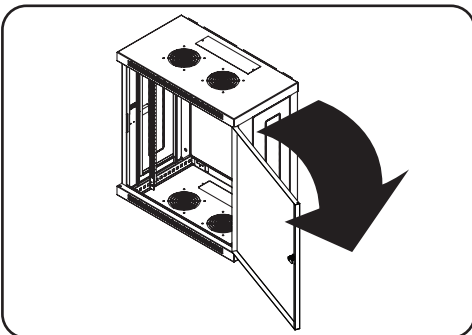
### 5.2 Administración y acceso a los cables

La parte superior del gabinete cuenta con una apertura rectangular para el acceso y la administración del cable. Esta abertura se abre y se cierra desatornillando o atornillando el panel de acceso a los cables removible.



### 5.3 Inversión del rack

Para poder colocar varias configuraciones de racks, el rack puede invertirse. Para hacerlo, gire el rack de manera que las puertas se abran en la dirección opuesta.

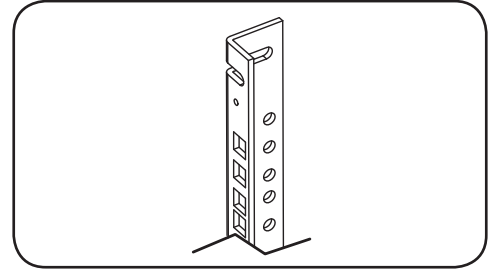




## 5. Configuración del rack (continuación)

### 5.4 Rieles de montaje

El gabinete viene con rieles de instalación que tienen orificios cuadrados (posición predeterminada) y orificios roscados para equipo de instalación en rack. Para instalar los equipos, utilice las tuercas de jaula y las otras herramientas incluidas. (Consulte la página 7 para ver la instalación de las tuercas de jaula). **Advertencia: Asegúrese de que el rack quede montado firmemente a la pared, o en su posición final en el piso antes de montar cualquier equipo en el interior. Asegúrese también de realizar todos los ajustes adecuados de rieles antes de montar los equipos. (Consulte la sección siguiente para ver el Ajuste de la profundidad del riel de montaje).**

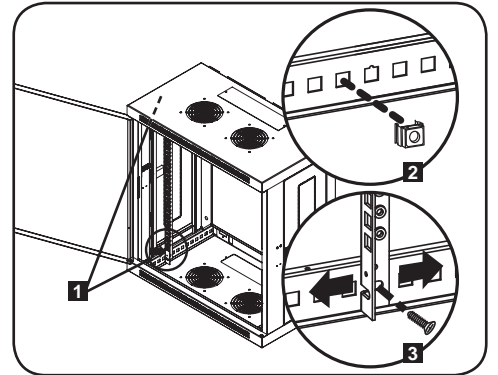


### 5.5 Ajuste de la profundidad del riel de montaje

**Advertencia: No intente ajustar los rieles mientras los equipos están instalados en el rack. No intente utilizar rieles sin tornillos instalados. (2 por riel).**

Los 2 rieles de instalación están preinstalados para acomodar equipo estándar. No ajuste los rieles de montaje a menos que los equipos requieran una profundidad de montaje distinta.

- 1 Cada riel está conectado al gabinete con 2 tornillos y 2 tuercas de fijación: 1 juego en la esquina superior y otro en la esquina inferior. Usando un desatornillador Phillips, retire los tornillos que sujetan los rieles al gabinete.
- 2 Mueva las tuercas de fijación a la profundidad deseada y reinstale.
- 3 Deslice los rieles de montaje hasta la profundidad deseada y vuelva a unirlos mediante los tornillos que extrajo anteriormente en el Paso 1.

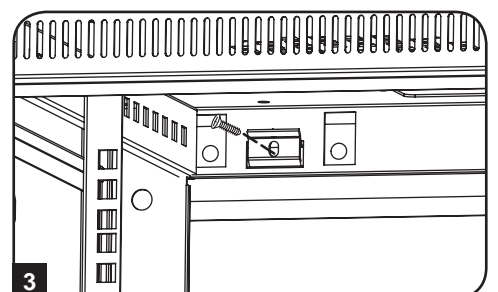
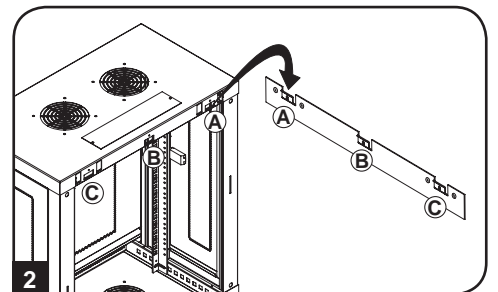
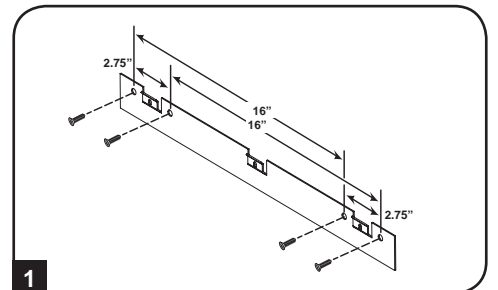


## 6. Montaje del rack a la pared

**Advertencia: No intente montar el rack en la pared con equipos montados en el rack.**

Antes del montaje, utilice un nivel y cinta de medir para posicionar el área de montaje en forma precisa. **Asegúrese de utilizar pasadores adecuados (no incluidos) para asegurar el rack a la pared. Advertencia: El área en donde planea montar el rack debe poder soportar el peso del rack y de todos los equipos montados.**

- 1 Utilizando las herramientas suministradas, una la placa de montaje a la pared o a otra superficie de montaje adecuada. Cada orificio de montaje puede albergar un perno de M8 o 5/16 pulgadas y los orificios están espaciados 16 pulgadas para organizar la colocación del pasador estándar, como se muestra en la figura. Nota: Cuando monte la placa de montaje a la pared, asegúrese de que los tres sujetadores de montaje apunten hacia afuera y al lado opuesto de la pared.
- 2 Una vez que la placa de montaje se haya unido en forma segura a la superficie de montaje, cuelgue las tres muescas de montaje del rack en los tres sujetadores de montaje de la placa unida a la pared. Las muescas encajan en los sujetadores y el rack debe deslizarse hacia abajo por los sujetadores hasta que esté fijo. Nota: Existen muescas de montaje en los rieles superiores e inferiores del panel trasero. Esto permite el montaje en las posiciones estándar o invertida.
- 3 Una vez que la placa de montaje se haya asegurado y que el rack cuelgue de manera segura, asegure el rack a la placa de montaje instalando los tres tornillos suministrados en los orificios de los sujetadores de montaje como se muestra en la figura.

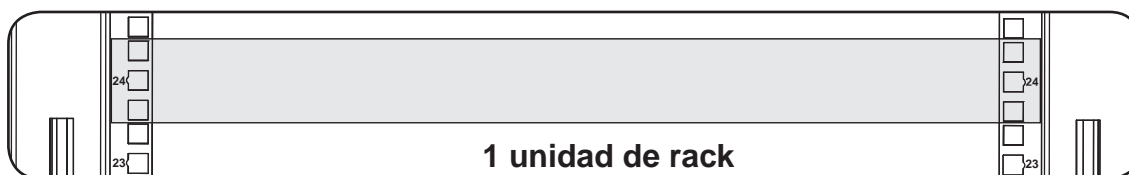


## 7. Instalación de equipos

**Advertencia: No instale equipos hasta que haya estabilizado el rack. Instale primero los equipos más pesados en la parte inferior del rack. Instálelos de abajo hacia arriba, nunca en sentido contrario. Si usa rieles para equipos deslizantes, tenga cuidado al extender los rieles. No extienda más de un juego de rieles a la vez. Evite extender rieles de equipos deslizantes cerca del aparte superior del rack.**

*Nota: La unidad viene con dos diferentes clases de tornillos para la instalación del equipo, negros y plateados. Use los tornillos de instalación negros si está sujetando su equipo al lado del orificio cuadrado del riel de instalación. Use los tornillos plateados si está sujetando su equipo al lado del orificio roscado del riel de instalación.*

*Nota: Los orificios cuadrados en el centro de cada unidad del rack están numerados y también incluyen una pequeña muesca para identificarlos. Una sola unidad de rack incluye el espacio ocupado por el orificio numerado y los orificios ubicados directamente encima y debajo.*



### 7.1 Instalación o extracción de las tuercas de jaula

**ADVERTENCIA: Las bridas de las tuercas en jaula deben engancharse en los lados de la abertura cuadrada del riel, no en la parte superior o inferior. Siga las instrucciones de la documentación de sus equipos para instalarlos correctamente.**

**1** Ubique las aberturas cuadradas numeradas en los rieles de montaje en donde planea instalar los equipos. Instalará tuercas en jaula (incluidas) en las aberturas cuadradas para obtener un punto de fijación para los tornillos de montaje (incluidos). *Nota: Consulte la documentación de su equipo para determinar cuántas tuercas en jaula necesitará y dónde debe instalarlas.*

**2** Desde la parte interior del riel de montaje, inserte una de las bridas de la tuerca de jaula a través de la abertura. Presiónela contra el lado de la abertura cuadrada. Cada brida debe engancharse en un lado de la abertura cuadrada, ni arriba ni abajo.

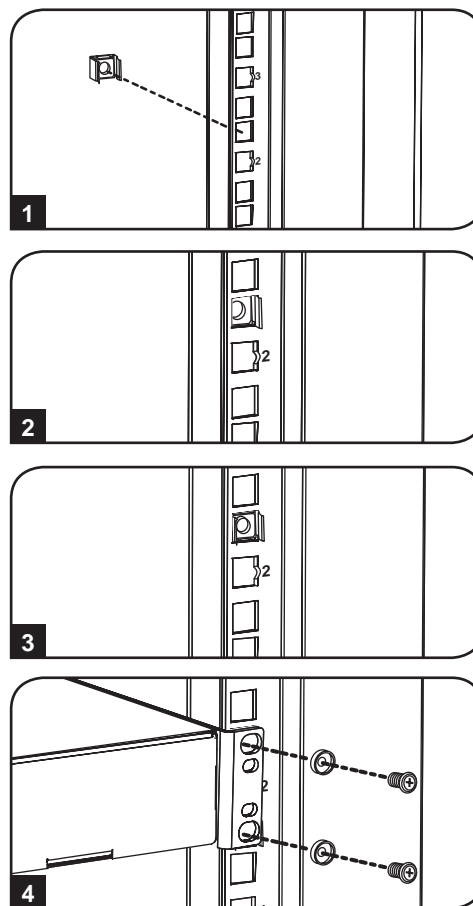
**3** Apriete la tuerca de jaula por los costados suavemente, para permitir que la brida restante encaje a través de la abertura cuadrada. Cuando la tuerca de jaula esté instalada adecuadamente, ambas bridas asomarán a través de la abertura cuadrada y podrán verse desde la superficie exterior del riel de montaje. Repita los pasos 1 a 3 hasta que todas las tuercas en jaula estén instaladas.

**4** Después de instalar las tuercas de fijación, use los tornillos de instalación negros incluidos y arandelas de seguridad para fijar su equipo al riel del rack. Coloque las arandelas entre los tornillos y los soportes de montaje del equipo.

*Nota: Su equipo también puede incluir herramientas de montaje. Lea las instrucciones de montaje de su equipo antes de instalarlo.*

**Para extraer las tuercas en jaula, siga los pasos 1 a 3 en sentido inverso**

*Nota: Puede usar una herramienta para tuercas en jaula (suministrada por el usuario) para ayudarse en la instalación y extracción.*



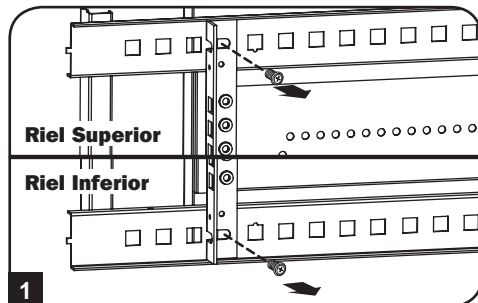
## 7. Instalación de equipos (continuación)

### 7.2 Instalación Alternativa: Riel de Instalación con Orificio Roscado

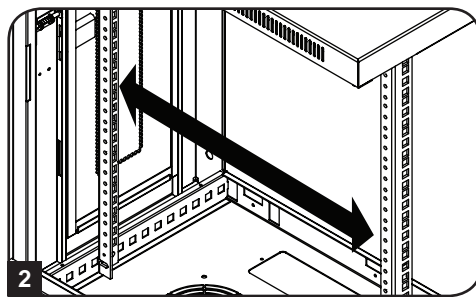
**Advertencia: No intente ajustar los rieles mientras el equipo está instalado en el gabinete. No intente usar rieles sin los tornillos instalados. (2 por riel.)**

Los 2 rieles de instalación están preinstalados para asegurar el equipo usando el lado de los orificios cuadrados del riel de instalación. Para cambiar al lado de los orificios roscados del riel de instalación, siga los pasos indicados a continuación:

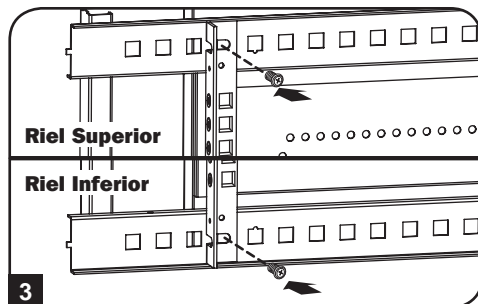
**1** Cada riel está conectado al gabinete con 2 tornillos: 1 en la esquina superior y otro en la esquina inferior. Usando un desatornillador Phillips, retire los tornillos que sujetan los rieles al gabinete.



**2** Cambie las ubicaciones del riel. Cerciñese que el lado del orificio roscado vea hacia la puerta delantera.

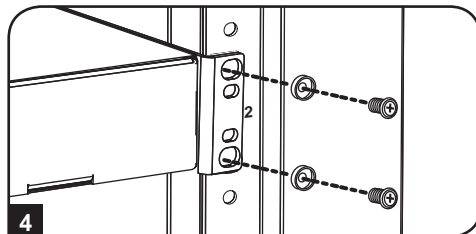


**3** Reinstale los rieles de instalación.



**4** Use los tornillos plateados de instalación para asegurar su equipo al riel del rack. Coloque las arandelas de seguridad entre los tornillos y las ménsulas de instalación del equipo.

*Nota: Su equipo puede incluir también accesorios para instalación. Lea las instrucciones de instalación que vienen con su equipo antes de instalarlo.*



## 8. Almacenamiento y servicio

### Almacenamiento

El rack debe almacenarse en un ambiente interior controlado, lejos de la humedad, temperaturas extremas, líquidos y gases inflamables, contaminantes conductores, el polvo y la luz directa del sol. Si es posible, almacénelo en su contenedor de envío original.

### Servicio

El rack está cubierto por la garantía limitada que se describe en este manual. Para obtener más información, visite [www.tripplite.com/support](http://www.tripplite.com/support).

## 9. Garantía y registro de la garantía

### Garantía limitada por 5 años

El vendedor garantiza que este producto no tiene defectos originales de materiales ni de mano de obra por un período de cinco años a partir de la fecha original de compra, si se utiliza de acuerdo con todas las instrucciones correspondientes. En caso de demostrarse dentro de ese período que el producto tiene defectos de materiales o de mano de obra, el vendedor lo reparará o reemplazará a su exclusiva discreción.

ESTA GARANTÍA NO CUBRE EL DESGASTE NORMAL NI LOS DAÑOS CAUSADOS POR ACCIDENTES, MAL USO, ABUSO O NEGLIGENCIA. EL VENDEDOR NO OFRECE NINGUNA GARANTÍA EXPRESA QUE NO SEA LA ESTABLECIDA EXPRESAMENTE EN EL PRESENTE DOCUMENTO. EXCEPTO EN LA MEDIDA EN QUE LO PROHÍBAN LAS LEYES APLICABLES, LA DURACIÓN DE TODAS LAS GARANTÍAS IMPLÍCITAS, INCLUIDAS LAS DE COMERCIALIZACIÓN O APTITUD, SE LIMITA AL PERÍODO DE GARANTÍA ANTES MENCIONADO Y ESTA GARANTÍA EXCLUYE EXPRESAMENTE TODOS LOS DAÑOS INCIDENTALES E INDIRECTOS. (Algunos Estados no permiten las limitaciones a la duración de una garantía implícita y algunos Estados no permiten la exclusión o limitación de los daños incidentales o indirectos, de modo que las limitaciones o exclusiones antes mencionadas pueden no corresponder en su caso. Esta garantía le otorga derechos legales específicos y usted puede tener otros derechos que varían de una jurisdicción a otra).

ADVERTENCIA: Antes de usar este dispositivo, cada usuario debe ocuparse de determinar si es apto, adecuado o seguro para el uso que pretende darle. Dado que las aplicaciones individuales están sujetas a diversas variaciones, el fabricante no representa ni garantiza la idoneidad o condición de estos dispositivos para cualquier aplicación específica.

### Registro de la garantía

Visite [www.tripplite.com/warranty](http://www.tripplite.com/warranty) hoy para registrar la garantía de su nuevo producto de Tripp Lite. Ingresará automáticamente a un sorteo para obtener la oportunidad de ganar un producto de Tripp Lite GRATUITO\*

\*Sin obligación de compra. Inválido donde está prohibido. Se aplican algunas restricciones. Consulte el sitio Web para obtener detalles.

Tripp Lite tiene la política de mejora continua. Las especificaciones están sujetas a cambios sin notificación previa.



1111 W. 35th Street, Chicago, IL 60609 USA  
[www.tripplite.com/support](http://www.tripplite.com/support)

Copyright © 2012 Tripp Lite. Todas las otras marcas registradas son propiedad de sus respectivos dueños.

# Manuel du propriétaire

## Enceinte murale SmartRack™

Modèle: SRW12U13

### Table des matières

<b>1. Consignes de sécurité importantes</b>	<b>18</b>	<b>7. Installation de l'équipement</b>	<b>22</b>
<b>2. Aperçu</b>	<b>18</b>	7.1 Installation ou retrait des écrous à cage	22
<b>3. Identification des caractéristiques</b>	<b>18</b>	7.2 Autre possibilité de montage : rail de fixation avec trous taraudés	23
<b>4. Installation de l'enceinte</b>	<b>19</b>	<b>8. Entreposage et entretien</b>	<b>24</b>
4.1 Préparation	19	<b>9. Garantie et enregistrement de la garantie</b>	<b>24</b>
4.2 Déballage	19	English	1
4.3 Raccordement au sol	19	Español	9
<b>5. Configuration de l'enceinte</b>	<b>20</b>		
5.1 Serrures des portes	20		
5.2 Accès et gestion des câbles	20		
5.3 Inversion de l'enceinte	20		
5.4 Rails de montage	21		
5.5 Ajustement la profondeur des rails de montage	21		
<b>6. Montage mural de l'enceinte</b>	<b>21</b>		



1111 W. 35th Street, Chicago, IL 60609 USA

[www.tripplite.com/support](http://www.tripplite.com/support)

Droits réservés © 2012 Tripp Lite. Toutes les marques déposées sont la propriété exclusive de leurs propriétaires respectifs.

## 1. Consignes de sécurité importantes



### CONSERVEZ CES INSTRUCTIONS

Ce manuel contient des instructions et des avertissements qui doivent être respectés lors de l'installation et du fonctionnement du produit décrit dans ce manuel. Le non-respect de ces instructions et avertissements peut annuler la garantie et causer des dommages matériels ou corporels.

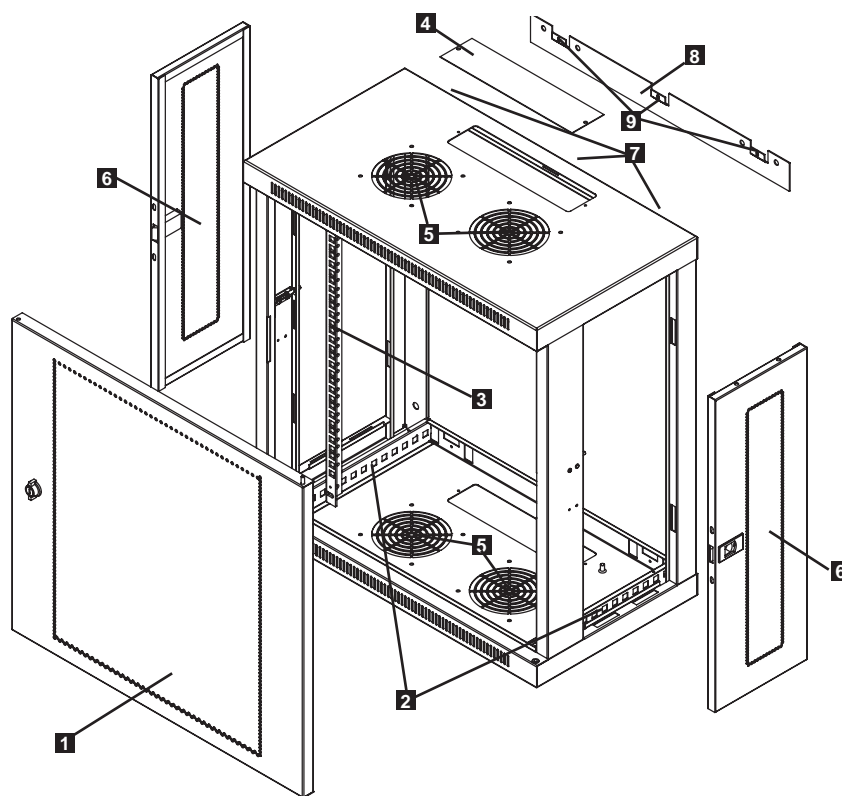
- Conservez l'enceinte dans un environnement contrôlé à l'intérieur, loin de l'humidité extrême, des liquides inflammables et des gaz, des contaminants conducteurs, de la poussière et des rayons directs du soleil.
- Laissez un espace adéquat à l'avant et l'arrière de l'enceinte pour une bonne ventilation. Ne pas obstruer, couvrir ou insérer d'objets dans les orifices de ventilation externe de l'enceinte.
- L'enceinte est extrêmement lourde. Soyez prudent lorsque vous manipulez l'enceinte. Ne tentez pas de la déballer, de la déplacer ou de l'installer sans aide.. Utilisez un dispositif mécanique tel qu'un chariot élévateur ou un transpalette pour déplacer l'enceinte dans l'emballage de transport.
- Ne placez aucun objet sur l'enceinte, en particulier des récipients de liquide et ne tentez pas d'empiler les enceintes.
- Inspectez l'emballage de transport et l'enceinte pour tout dommage subi pendant le transport. N'utilisez pas l'enceinte si elle est endommagée.
- Laissez l'enceinte dans l'emballage de transport jusqu'à ce qu'elle ait été déplacée le plus près de l'emplacement d'installation possible.
- Installez l'enceinte dans une zone structurellement capable de supporter la charge ou sur un plancher plat qui est capable de supporter le poids de l'enceinte et de tout le matériel qui sera installé dans l'enceinte et toute autre enceinte et/ou équipement qui sera installé à proximité.
- Faites preuve de prudence lors de la découpe des matériaux d'emballage. L'enceinte peut être rayée, causant des dommages non couverts par la garantie.
- Conservez tous les matériaux d'emballage pour une utilisation ultérieure. Remballer et expédier l'enceinte sans l'emballage d'origine peut causer des dommages au produit qui annuleront la garantie.
- Ne réexpédiez pas l'enceinte avec de l'équipement supplémentaire, sauf si l'enceinte a été livrée avec une palette antichoc spéciale (modèles « SP1 » uniquement). Le poids combiné de l'enceinte et de l'équipement installé ne doit pas dépasser la capacité de charge de la palette. Tripp Lite n'est pas responsable pour tout dommage qui survient pendant la réexpédition.
- L'utilisation de cet équipement dans des applications médicales où il est raisonnable de penser qu'une panne de cet équipement pourrait provoquer l'échec de l'équipement de survie ou affecter de manière significative sa sécurité ou son efficacité n'est pas recommandée. N'utilisez pas cet équipement en présence d'un mélange anesthésique inflammable avec l'air, l'oxygène ou l'oxyde nitreux.

## 2. Aperçu

Les enceintes SmartRack accommodent tous équipements sur bâti standard de 19 pouces, indépendamment du fournisseur et sont expédiées entièrement assemblées pour un déploiement rapide et facile.

## 3. Identification des caractéristiques

- 1 Porte avant
- 2 Rails horizontaux
- 3 Rails de montage verticaux
- 4 Trou d'accès de câble amovible
- 5 Événements
- 6 Panneaux latéraux réversibles/verrouillables
- 7 Encoches de montage (présente sur le panneau arrière de l'enceinte)
- 8 Plaque de montage (pièce séparée)
- 9 Crochets de montage (présents sur la plaque de montage)



## 4. Installation de l'enceinte



**Attention! Lisez toutes les instructions et les avertissements avant l'installation!**



**Attention : Les enceintes peuvent être extrêmement lourdes. N'essayez Ne tentez pas de les déballer, de les déplacer ou de les installer sans assistance. Soyez extrêmement prudent lorsque vous manipulez l'enceinte et assurez-vous de suivre toutes les manipulations et les instructions d'installation. N'essayez pas d'installer des équipements sans avoir d'abord stabilisé l'enceinte.**

### 4.1 Préparation

L'enceinte doit être installée dans une zone structurellement capable de supporter le poids de l'enceinte, tout le matériel qui sera installé dans l'enceinte et toute autre enceinte et/ou équipement qui sera installé à proximité. Avant de déballer l'enceinte, vous devriez transporter l'emballage de transport près de l'emplacement d'installation définitive pour minimiser la distance que vous aurez besoin de déplacer l'appareil une fois que l'emballage de protection a été retiré. Si vous prévoyez entreposer l'enceinte pendant une période prolongée avant l'installation, suivez les instructions dans la section Entreposage et entretien..

Vous avez besoin de plusieurs outils :

- Niveau
- Tournevis cruciforme
- Outils appropriés au montage mural

Vous avez aussi besoin du matériel suivant :

- Matériel approprié pour un montage mural (non inclus)

### 4.2 Déballage



**Utilisez au moins deux personnes pour déballer l'enceinte.**



- 1 Déplacez la palette d'expédition sur une surface solide et plane.
- 2 Ouvrez la boîte et enlever les quatre protecteurs de coin en mousse. Conservez tous les matériaux d'emballage pour une utilisation ultérieure, sauf si vous êtes certain(e) qu'ils ne seront pas nécessaires. Les matériaux d'emballage sont recyclables.
- 3 Avec une personne de chaque côté, soulevez l'enceinte délicatement hors de la palette et placez-la sur une surface ferme et plane.
- 4 Examinez l'enceinte pour tout dommage ou pièce détachée. Confirmez que toutes les pièces sont présentes. Si quelque chose est manquant ou endommagé, contactez Tripp Lite pour de l'aide. Ne tentez pas d'utiliser l'enceinte si elle a été endommagée.



**Ne jamais prolonger plus d'un composant de l'enceinte à la fois.**

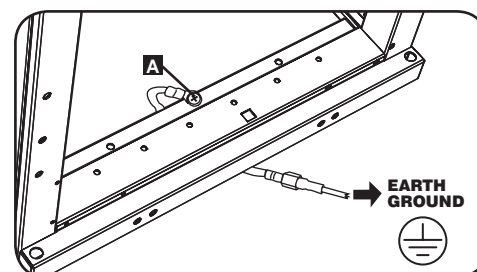


**Attention : N'essayez jamais de soulever ou d'installer sans aide. N'essayez pas de soulever l'enceinte seul.**



### 4.3 Raccordement au sol

Toutes les parties de l'enceinte reposent sur le cadre de l'enceinte. Utilisez le point de masse fileté avant ou arrière et de l'enceinte **A** et une vis M6 (incluse) pour connecter le cadre de l'enceinte directement à la connexion de votre installation à terre avec un fil AWG 8 (3,264 mm) Guidez le câble de masse sous le cadre de l'enceinte pour assurer un fonctionnement sans entrave. Attention: Mettre chaque enceinte à la masse séparément. N'utilisez pas l'enceinte sans raccordement à la terre.



## 5. Configuration de l'enceinte

Avant l'installation, assurez-vous de planifier l'emplacement et l'agencement des composants dans l'enceinte. Assurez-vous que tous les rails de montage sont inversés ou ajustés pour la profondeur, en fonction de la configuration de votre équipement.

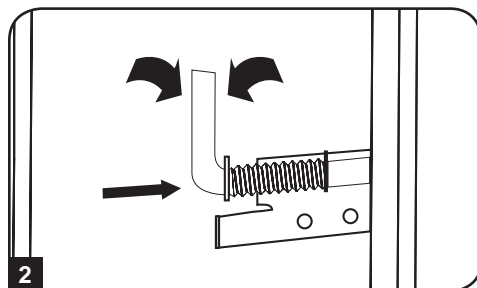
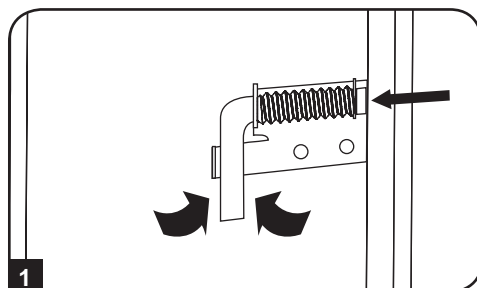
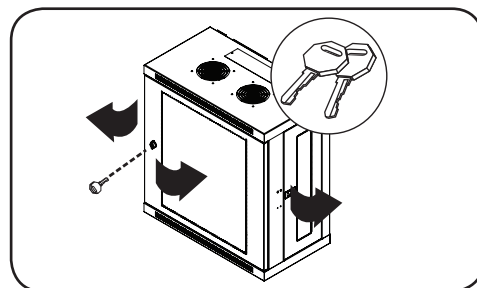
### 5.1 Serrures de portes

Les portes avant et arrière ont des serrures qui sont accessibles avec les clés incluses.

Chaque panneau latéral se verrouille avec un levier en forme de L à l'intérieur de l'enceinte.

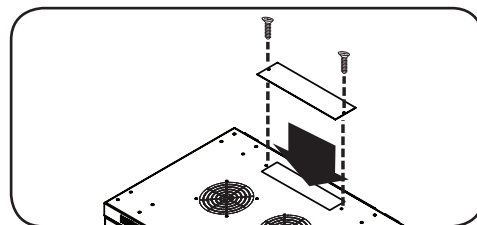
**1** Pour déverrouiller et retirer les panneaux latéraux, soulevez la jambe la plus courte du « L » et retirez-la de la paroi latérale. Tirez la languette sur le panneau latéral et retirez-la de l'enceinte.

**2** Pour verrouiller de nouveau les panneaux latéraux, sécurisez-les dans la bonne position, soulevez la jambe la plus courte du « L » et poussez-la vers le panneau latéral dans le trou initial. Une fois qu'il est en place, poussez la jambe la plus courte du « L » afin de le verrouiller. *Remarque : Pour verrouiller et déverrouiller les panneaux latéraux, vous aurez besoin d'avoir accès à l'intérieur de l'enceinte.*



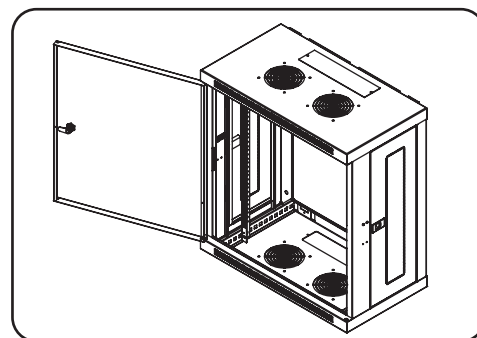
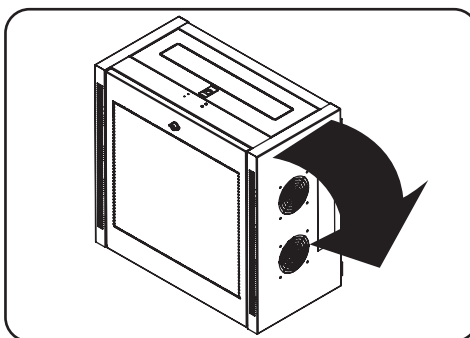
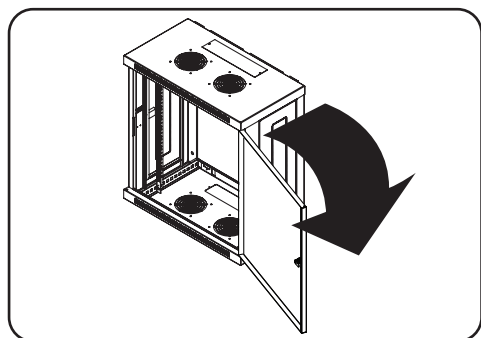
### 5.2 Accès et gestion des câbles

Le haut de l'enceinte est munie d'une ouverture rectangulaire pour accéder aux câbles. Cette ouverture peut être ouverte ou fermée par dévissage ou vissage du panneau d'accès au câble amovible.



### 5.3 Inversion de l'enceinte

Afin de tenir compte des configurations diverses, l'enceinte peut être inversée. Pour ce faire, il suffit de tourner l'enceinte de telle sorte que les portes ouvertes se retrouvent dans la direction opposée.





## 5. Configuration de l'enceinte suite

### 5.4 Rails de montage

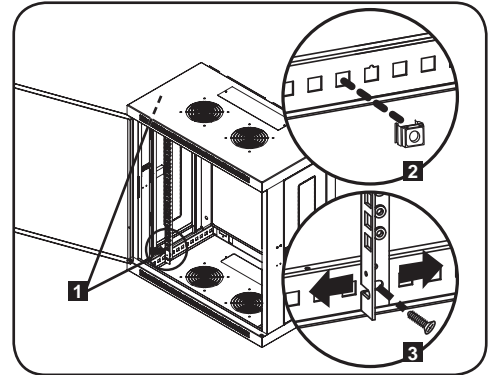
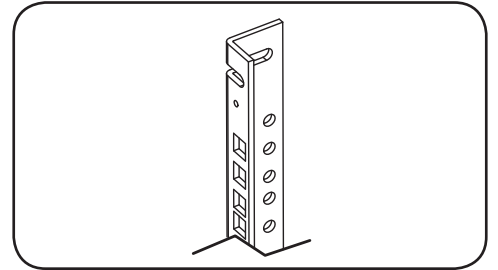
Le boîtier est fourni avec des rails de montage qui sont pourvus de trous carrés (position par défaut) et de trous taraudés pour l'équipement du support de montage. Pour installer l'équipement, utilisez des écrous à cage et d'autres matériels inclus. (Consultez la page 7 pour l'installation des écrous à cage.) **Attention : Assurez-vous que l'enceinte est solidement fixée au mur ou dans sa position finale au sol avant d'installer l'équipement à l'intérieur. Veuillez également vous assurer d'avoir tous les bons réglages sur votre rails avant d'installer l'équipement. (Voir ci-dessous pour l'ajustement la profondeur des rails de montage.)**

### 5.5 Adjusting Mounting Rail Depth

**Attention : N'essayez pas d'ajuster les rails tandis que l'équipement est installé dans l'enceinte. Ne tentez pas d'utiliser des rails sans avoir d'abord installé les vis (2 par rail).**

Les 2 rails de montage sont préinstallés pour accueillir de l'équipement standard. N'ajustez pas les rails de montage, sauf si votre matériel nécessite une profondeur de montage différente.

- 1 Chaque rail est connecté au boîtier au moyen de 2 vis et de 2 écrous à cage : 1 ensemble dans le coin supérieur et un autre dans le coin inférieur. À l'aide d'un tournevis Phillips, enlever les vis qui retiennent les rails au boîtier.
- 2 Déplacer les écrous à cage à la profondeur désirée et réinstaller.
- 3 Glissez les rails de montage à la profondeur voulue et rattacher-les avec les vis retirées à l'étape 1.



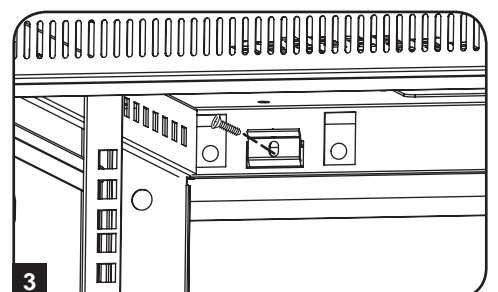
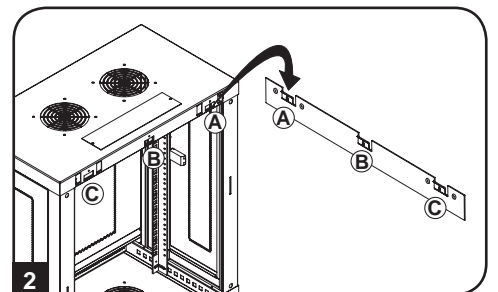
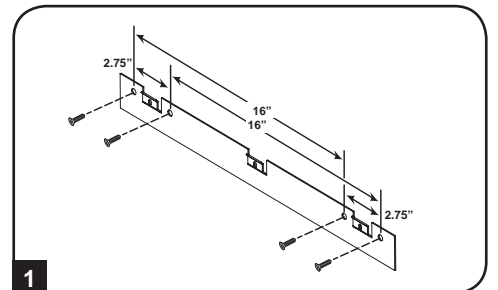
## 6. Montage au mur de l'enceinte

**Avertissement : Ne tentez pas de monter l'enceinte au mur avec de l'équipement présent dans l'enceinte.**

Avant l'installation, utilisez un ruban à mesurer et un niveau pour positionner la zone d'installation avec précision. Veillez à utiliser les attaches appropriées (non incluses) pour fixer l'enceinte au mur.

**Attention: L'endroit où vous prévoyez installer l'enceinte doit être capable de supporter le poids de l'enceinte et tout l'équipement installé.**

- 1 En utilisant le matériel fourni par l'utilisateur, fixez la plaque de montage au mur ou tout autre surface d'installation appropriée. Chaque trou de montage peut accueillir un boulon M8 ou un boulon de 5/16 po et les trous sont espacés de 16 po pour faciliter son positionnement standard tel qu'indiqué dans le diagramme. Remarque : Lors de l'installation de la plaque de montage au mur, assurez-vous que les trois crochets de fixation sont tournés vers l'extérieur et loin du mur.
- 2 Une fois que la plaque de montage a été solidement attachée à la surface d'installation, accrochez trois crans de l'enceinte sur les trois crochets de fixation sur la plaque fixée au mur. Les encoches iront parfaitement sur les crochets et l'enceinte devrait glisser sur les crochets jusqu'à la butée. Remarque : Les encoches de fixation existent sur les deux rails supérieurs et inférieurs du panneau arrière. Cela permet d'effectuer une installation dans les positions standard ou inverse.
- 3 Une fois que la plaque de montage a été mise en place et l'enceinte accrochée correctement, sécurisez l'enceinte à la plaque de montage en installant les trois vis fournies dans les trous sur les crochets de fixation tel qu'indiqué.

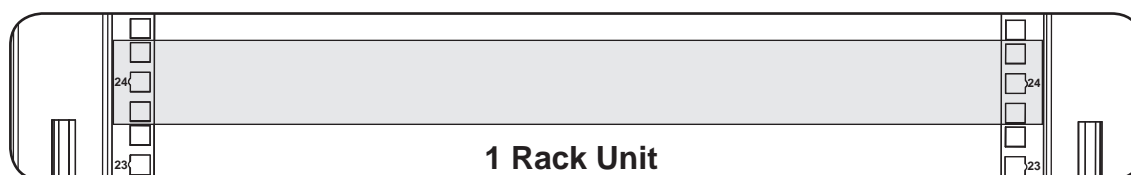


## 7. Installation de l'équipement

**Attention : N'installez pas l'équipement avant d'avoir stabilisé l'enceinte. Installez l'équipement lourd d'abord et vers le bas de l'enceinte. Installez l'équipement à partir du fond de l'enceinte en allant vers le haut - jamais l'inverse. Si vous utilisez des rails d'équipement coulissants, soyez prudent lors de l'extension des rails. Ne prolongez pas plus d'un ensemble de rails coulissants à la fois. Évitez l'extension des rails coulissants près du sommet de l'enceinte.**

*Remarque : L'appareil est fourni avec deux sortes de vis différentes pour l'installation de l'équipement : des vis noires et des vis couleur argent. Utiliser les vis de montage noires pour fixer l'équipement au côté du rail de montage comportant des trous carrés. Utiliser les vis de montage de couleur argent pour fixer l'équipement au côté du rail de montage comportant des trous taraudés.*

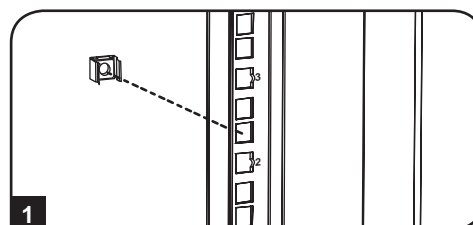
*Remarque : Les trous carrés dans le centre de chaque unité sont numérotés et comprennent également une petite encoche pour faciliter l'identification. Une seule unité comprend l'espace occupé par le trou numéroté et les trous directement au-dessus et en dessous.*



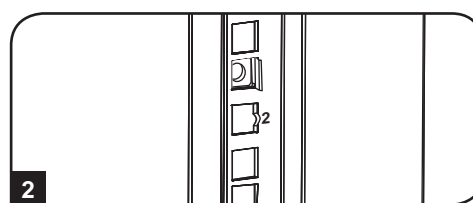
### 7.1 Installation ou retrait des écrous à cage

**AVERTISSEMENT : Les brides des écrous à cage devraient engager les côtés de l'ouverture carrée dans le rail et non pas le haut et le bas. Suivez les instructions dans votre documentation pour assurer une bonne installation de votre équipement.**

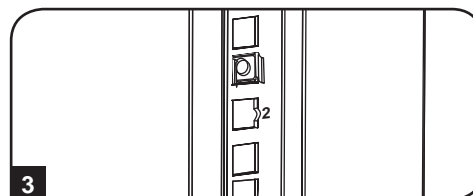
**1** Repérez les ouvertures carrées numérotées dans les rails de montage où vous prévoyez installer votre équipement. Vous installerez les écrous à cage (inclus) dans les ouvertures carrées afin de fournir un point d'attache pour les vis de montage (incluses). Remarque : Consultez votre documentation pour déterminer combien d'écrous à cage seront nécessaires et où ils devront être installés.



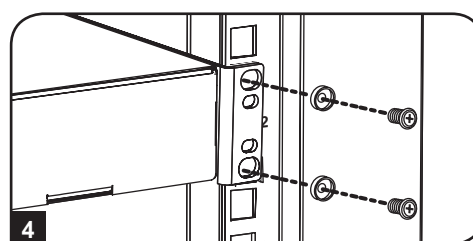
**2** À partir de l'intérieur du rail de fixation, insérez l'une des brides de l'écrou à cage par l'ouverture carrée. Appuyez sur le côté de l'ouverture carrée. Chaque bride devrait s'engager d'un côté de l'ouverture carrée et non pas du haut ou du bas.



**3** Comprimez l'écrou à cage sur les côtés pour permettre à la bride de passer à travers l'ouverture carrée. Lorsque l'écrou à cage est correctement installé, les deux brides dépasseront par l'ouverture carrée et seront visibles sur la surface extérieure du rail de montage. Répétez les étapes 1 à 3 jusqu'à ce que tous les écrous à cage requis soient installés.



**4** Après avoir posé les écrous à cage requis, utiliser les vis de montage noires incluses et les rondelles à collerette pour fixer l'équipement au rail du support. Placez les rondelles à collerette entre les vis et les supports de montage de l'équipement.



*Remarque : Votre équipement peut également inclure le matériel de montage. Lisez les instructions de montage fournies avec votre équipement avant d'installer votre équipement.*

**Pour retirer les écrous à cage suivez les étapes 1 à 3 à l'envers.**

*Remarque : Vous pouvez utiliser un outil d'écrou à cage (fourni par l'utilisateur) pour faciliter l'installation et l'enlèvement de l'écrou à cage.*

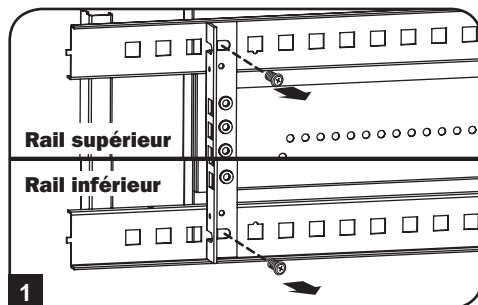
## 7. Installation de l'équipement suite

### 7.2 Autre possibilité de montage : rail de fixation avec trou taraudé

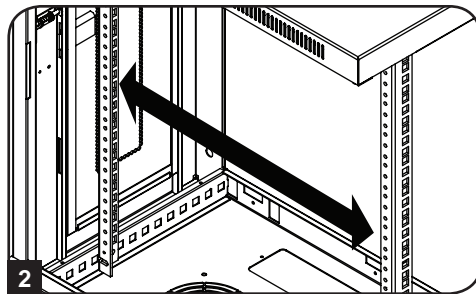
**Avertissement : Ne tentez pas d'ajuster les rails durant la pose de l'équipement dans le support. Ne tentez pas d'utiliser les rails sans que les vis soient installées (2 par rail).**

Les 2 rails de montage sont pré-installés pour retenir l'équipement au moyen du côté du rail de montage pourvu de trous carrés. Pour passer au côté du rail de montage pourvu de trous taraudés, veuillez suivre les étapes suivantes :

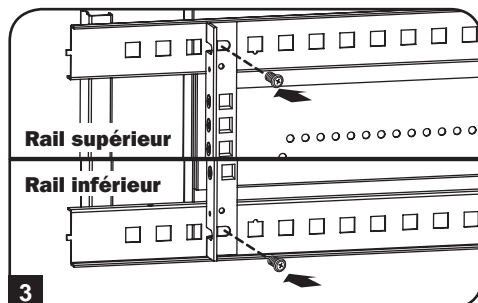
**1** Chaque rail est connecté au boîtier au moyen de 2 vis : 1 dans le coin supérieur et l'autre dans le coin inférieur. Au moyen d'un tournevis Phillips, retirer les vis qui retiennent les rails au boîtier.



**2** Changer l'emplacement des rails. S'assurer que le côté de chaque rail avec des trous taraudés est tourné vers la porte avant.

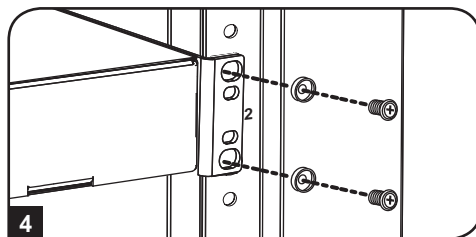


**3** Remettre les rails de montage en place.



**4** Utiliser les vis de montage couleur argent pour retenir l'équipement au rail du support. Placez les rondelles à collerettes entre les vis et les supports de montage de l'équipement.

*Remarque : L'équipement peut également inclure des pièces de montage. Lire les instructions de montage fournies avec l'équipement avant d'installer l'équipement.*



## 8. Entreposage et entretien

### Entreposage

L'enceinte doit être entreposée dans un environnement contrôlé à l'intérieur, loin de l'humidité extrême, des liquides inflammables et des gaz, des contaminants conducteurs, de la poussière et rayons directs du soleil. Entreposez l'enceinte dans son emballage d'origine si possible.

### Entretien

L'enceinte est couverte par la garantie limitée décrite dans ce manuel. Pour plus d'informations, visitez [www.tripplite.com / support](http://www.tripplite.com/support).

## 9. Garantie et enregistrement de la garantie

### Garantie limitée de 5 ans

Garantie limitée de 5 ans

Le vendeur garantit que ce produit, s'il est utilisé conformément à toutes les instructions applicables, est exempt de défauts de matière et de main d'œuvre pendant une période de 5 ans à partir de la date d'achat initiale. Si le produit présente un défaut de matière ou de main d'œuvre pendant cette période, le vendeur s'engage à réparer ou remplacer le produit à sa seule discrétion.

CETTE GARANTIE NE S'APPLIQUE PAS À L'USURE NORMALE OU AUX DOMMAGES RÉSULTANT D'UN ACCIDENT, D'UN MAUVAIS USAGE OU NÉGLIGENCE. LE VENDEUR N'ACCORDE AUCUNE GARANTIE EXPRESSE QUE CELLE MENTIONNÉE EXPRESSÉMENT DANS LA PRÉSENTE. SAUF DANS LA MESURE INTERDITE PAR LES LOIS PERTINENTES, TOUTES LES GARANTIES IMPLICITES, Y COMPRIS LES GARANTIES DE QUALITÉ MARCHANDE OU D'ADÉQUATION À UN USAGE PARTICULIER, SONT LIMITÉES À LA DURÉE DE LA PÉRIODE DE GARANTIE SUSMENTIONNÉE ET LA PRÉSENTE GARANTIE EXCLUT EXPRESSÉMENT TOUS LES DOMMAGES FORTUITS OU CONSÉCUTIFS. (Certains juridictions n'autorisant pas de limitation de la durée de la garantie implicite ou d'autre l'exclusion ou la limitation des dommages fortuits ou consécutifs, les limitations ou exclusions susmentionnées peuvent ne pas s'appliquer à vous. La présente garantie vous donne des droits juridiques spécifiques et vous pouvez jouir d'autres droits qui varient d'une juridiction à une autre).

AVERTISSEMENT : Avant tout usage, l'utilisateur doit déterminer si ce dispositif est adapté et approprié à l'usage prévu et s'il ne présente aucun danger. Puisque les applications individuelles sont sujettes à d'importantes variations, le fabricant ne prétend ni ne garantit que cet appareil est approprié ou apte pour toute application spécifique.

### Enregistrement de la garantie

Visitez [www.tripplite.com/warranty](http://www.tripplite.com/warranty) dès aujourd'hui pour enregistrer la garantie de votre nouveau produit Tripp Lite. Vous serez automatiquement inscrit(e) à un concours vous donnant la chance de gagner un produit Tripp Lite!\*

\* Aucun achat requis. Nul là où la loi l'interdit. Certaines restrictions s'appliquent. Voir le site Web pour plus de détails.

Tripp Lite applique une politique d'amélioration continue. Les spécifications sont sujettes à changement sans préavis.



1111 W. 35th Street, Chicago, IL 60609 USA  
[www.tripplite.com/support](http://www.tripplite.com/support)

Droits réservés © 2012 Tripp Lite. Toutes les marques déposées sont la propriété exclusive de leurs propriétaires respectifs.