

Technical Manual



JBL AM5212/95-WH

SPECIFICATIONS

ACOUSTIC & ELECTRICAL SPECIFICATIONS:

- Nominal Impedance: 8 Ohms
- Transducer Power Rating (AES): LF: 400W (1600W peak), 2 hrs
300W (1200W peak), 100 hrs
HF: 40W (160W peak), 2 hrs
- Long-Term Power Rating (IEC): Passive mode: 300W (1200W peak), 100 hrs
- Frequency Response: 43 Hz - 18 kHz (± 3 dB)
- Frequency Range: 37 Hz - 20 kHz (-10 dB)
- Maximum SPL: Bi-amp mode: LF: 122 dB-SPL cont avg (128 dB peak)
HF: 129 dB-SPL cont avg (135 dB peak)
Passive mode: 121 dB-SPL cont avg (127 dB peak)
- System Sensitivity: Passive mode: 96 dB SPL
1 watt @ 1 meter
- Crossover Frequency: 1.4 kHz

SYSTEM COMPONENTS:

- Cabinet: Enclosure (Not For Sale)
- Grille: 338163-007, 338163-107 (WH)

SYSTEM COMPONENTS: (CONT'D)

- Low Frequency Transducer: 262H-1, 300 mm (12 in) driver with 50.8 mm (2 in) dual voice coil
- DC Resistance: 5.5 ohm +/- 10%
- High Frequency Transducer: 2408H-1, 38 mm (1.5 in) exit compression driver, 38 mm (1.5 in) voice coil
- DC Resistance: 4.80 ohm +/- 0.2 ohm
- Crossover Network: 443748-001

AURAL SWEEP TEST SPECIFICATIONS:

- A. System Aural Sweep Test: 7.0V Input, 10 Hz to 10 kHz
- B. L.F. Aural Sweep Test: 7.0V Input, 10 Hz to 1 kHz
- C. H.F. Aural Sweep Test: 0.75V Input, 200 Hz to 1.5 kHz

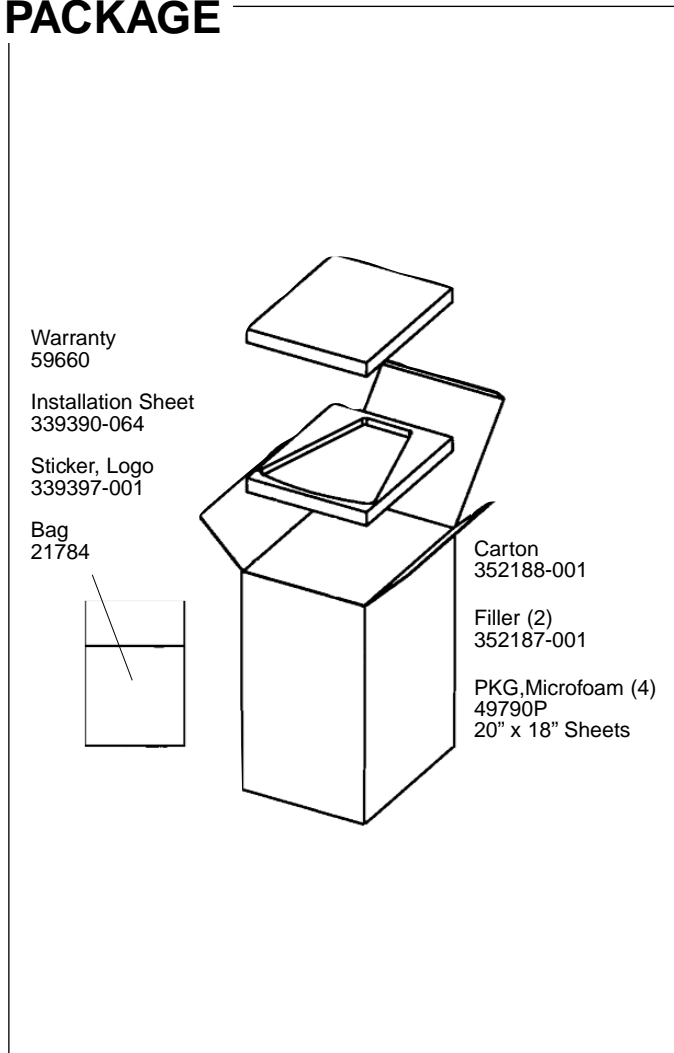
PHYSICAL SPECIFICATIONS:

- Enclosure Dimensions: 713 x 371 x 458 mm D (28.06 x 14.6 x 18.1 in.D.)
- Net Weight: 45 lb (20.2 kg.)

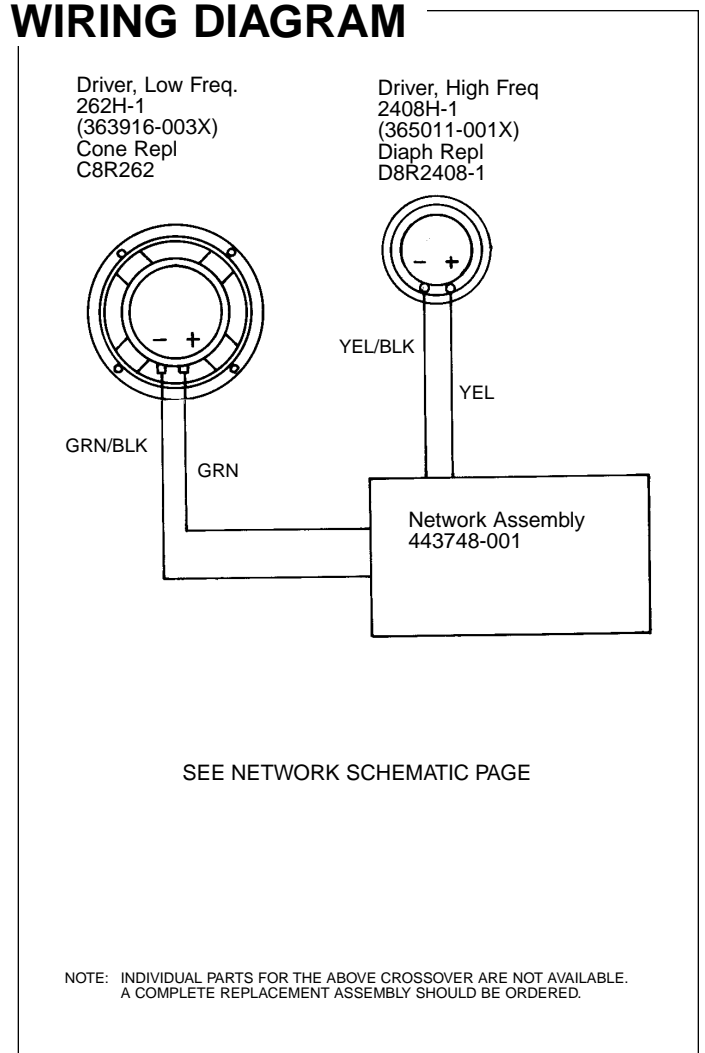
WARRANTY INFORMATION:

- Refer to Warranty Statement packed with each product.

PACKAGE



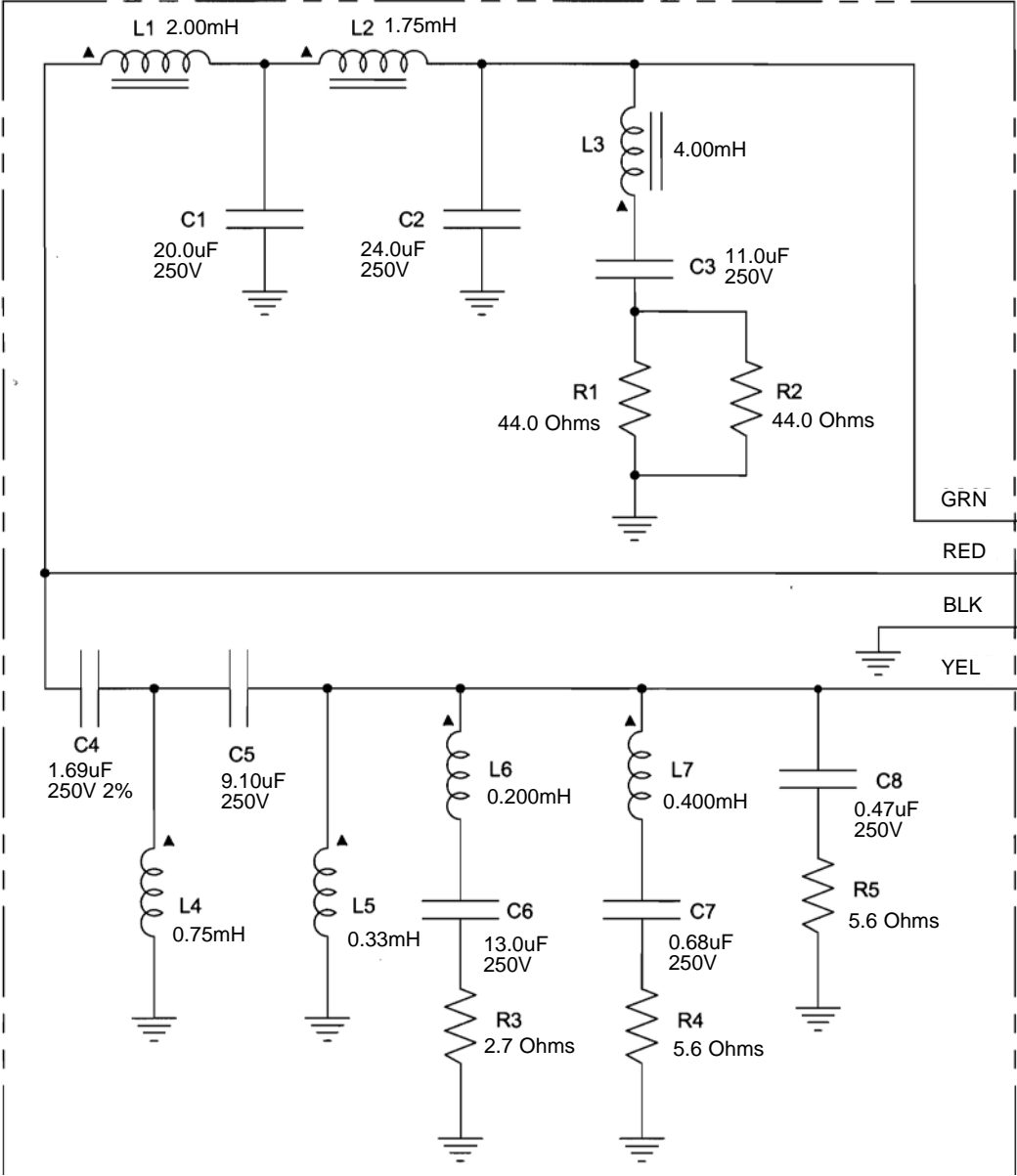
WIRING DIAGRAM



JBL AM5212/95-WH

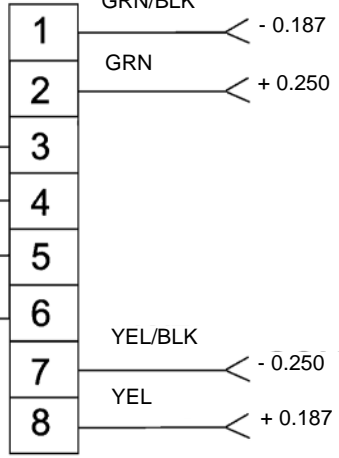
SCHEMATIC (443748-001)

PCB ASSEMBLY

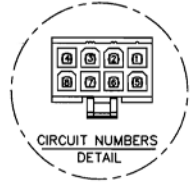


Individual Parts for the above crossover are not available. A complete replacement assembly should be ordered.

8 Pin Connector
Molex P/N
39-01-2080



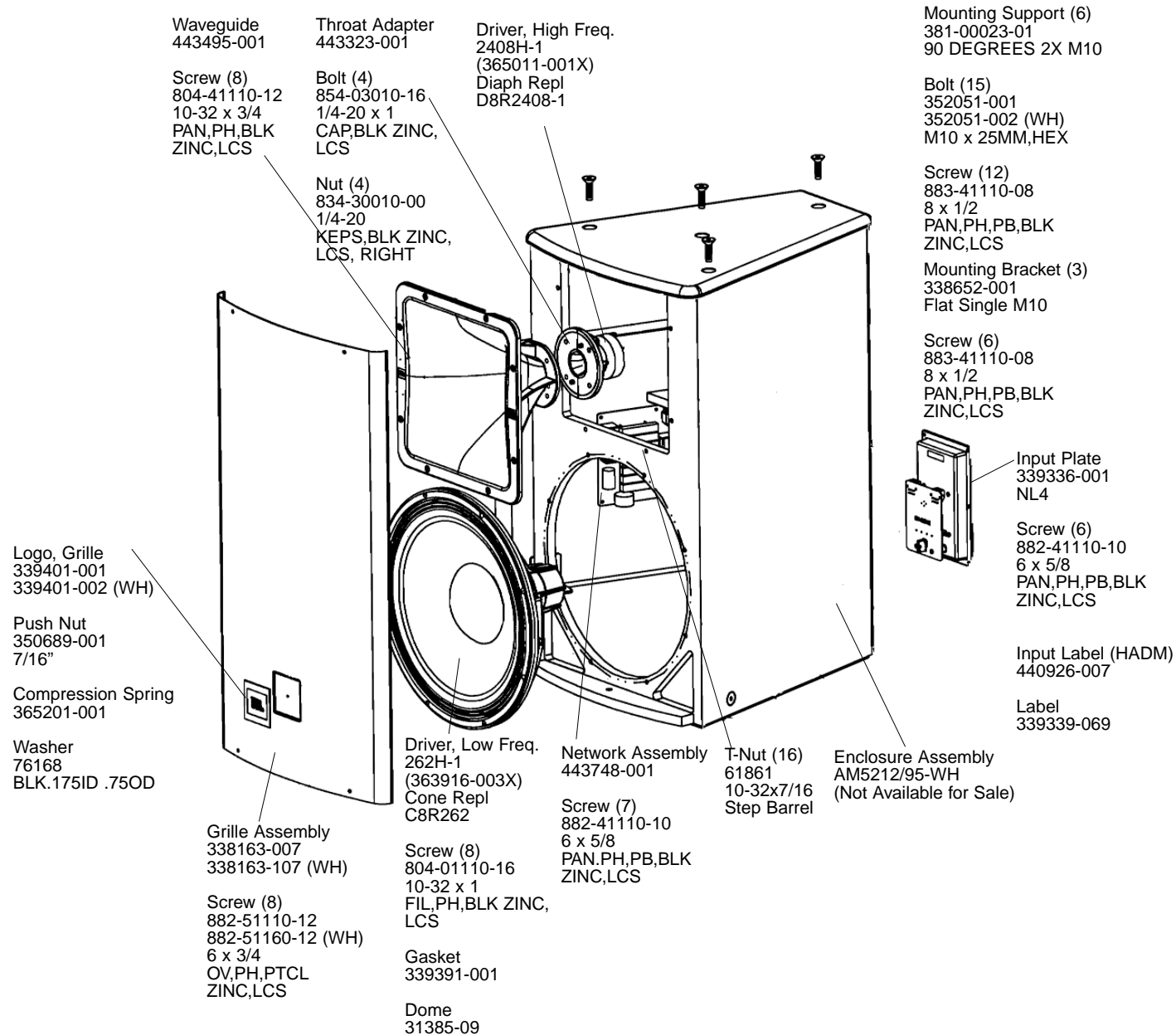
VIEW FROM CONNECTOR PIN SIDE



JBL AM5212/95-WH

JBL AM5212/95-WH

COMPONENT EXPLODED VIEW



JBL AM5212/95-WH