

HP ProLiant DL100 Series Server User Guide

for HP ProLiant DL120 G6 Servers



Part Number 579574-003
March 2010 (Third Edition)

© Copyright 2009, 2010 Hewlett-Packard Development Company, L.P.

The information contained herein is subject to change without notice. The only warranties for HP products and services are set forth in the express warranty statements accompanying such products and services. Nothing herein should be construed as constituting an additional warranty. HP shall not be liable for technical or editorial errors or omissions contained herein.

Microsoft, Windows, Windows Server, and Windows NT are U.S. registered trademarks of Microsoft Corporation.

Intended audience

This document is for the person who installs, administers, and troubleshoots servers and storage systems. HP assumes you are qualified in the servicing of computer equipment and trained in recognizing hazards in products with hazardous energy levels.

Contents

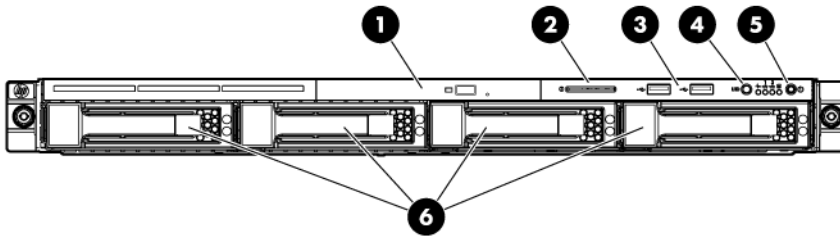
Component identification	6
Front panel components	6
Front panel LEDs and buttons	6
SAS and SATA device numbers	7
Rear panel components	8
Rear panel LEDs and buttons	8
PCI expansion slot definitions	9
System board components	9
System maintenance switch	10
NMI functionality	11
System board LEDs	11
Fan locations	12
Battery pack LEDs	12
FBWC module LEDs	14
Operations	15
Power up the server	15
Power down the server	15
Remove the server from the rack	15
Remove the access panel	16
Remove the air baffle	16
Remove the PCI riser board assembly	16
Install the PCI riser board assembly	17
Setup	19
Optional installation services	19
Rack planning resources	19
Optimum environment	19
Space and airflow requirements	20
Temperature requirements	20
Power requirements	21
Electrical grounding requirements	21
Rack warnings	22
Installing hardware options	22
Powering up and configuring the server	22
Installing the operating system	22
Registering the server	22
Hardware options installation	23
Introduction	23
Memory options	23
Memory subsystem architecture	23
Single-, dual-, and quad-rank DIMMs	24
DIMM identification	24
General DIMM slot population guidelines	25
Installing DIMMs	26
Hard drive options	26

Hard drive guidelines	27
Removing a hard drive blank	27
Removing a hard drive	27
Installing a hot-plug hard drive	28
Installing a non-hot-plug hard drive	29
Optical drive option	33
Expansion board option.....	34
PCI-X riser board option.....	35
Storage controller option.....	37
SAS hard drive LED cable option	37
Battery-backed write cache battery pack option.....	38
Installing the FBWC module and capacitor pack	40
HP Trusted Platform Module option	42
Installing the Trusted Platform Module board	42
Retaining the recovery key/password.....	44
Enabling the Trusted Platform Module.....	44
Cabling	45
Cabling overview.....	45
Server cabling	45
BBWC battery cabling to an optional controller.....	46
Power supply (500 W) cabling.....	46
SATA cabling	47
SATA cabling to the SGPIO connector and the 12C cable connector.....	47
SAS cabling to the SGPIO connector and the 12C cable connector.....	48
Internal USB cabling.....	48
Fan cabling	49
Software and configuration utilities	50
BIOS Setup Utility.....	50
Auto-configuration process	50
BIOS Serial Console.....	51
ROMPaq utility.....	51
LO100i Remote Management.....	51
HP Insight Diagnostics	51
HP ROM-Based Setup Utility	52
Re-entering the server serial number and product ID.....	52
Keeping the system current.....	53
Drivers	53
Firmware.....	53
Subscriber's choice	53
Troubleshooting	54
Common problem resolution.....	54
Loose connections	54
Service notifications.....	54
Firmware updates	54
DIMM handling guidelines	55
SAS and SATA hard drive guidelines	55
Problem diagnosis.....	55
Important safety information	56
Preparing the server for diagnosis.....	58
Symptom information.....	58
Diagnostic steps	58

Hardware problems	68
Power problems	68
Unknown problem	70
General hardware problems	71
Internal system problems	72
System open circuits and short circuits	79
External device problems	80
Software tools and solutions	85
Introduction to software problems	85
Firmware maintenance	88
Contacting HP	90
Contacting HP technical support or an authorized reseller	90
Server information you need	90
Operating system information you need	91
Battery	93
Regulatory compliance notices	94
Regulatory compliance identification numbers	94
Federal Communications Commission notice	94
FCC rating label	94
Class A equipment	94
Class B equipment	94
Declaration of conformity for products marked with the FCC logo, United States only	95
Modifications	95
Cables	95
Canadian notice (Avis Canadien)	96
European Union regulatory notice	96
Disposal of waste equipment by users in private households in the European Union	96
Japanese notice	97
BSMI notice	97
Korean notice	98
Laser compliance	98
Battery replacement notice	98
Taiwan battery recycling notice	99
Power cord statement for Japan	99
Acoustics statement for Germany (Geräuschemission)	99
Electrostatic discharge	100
Preventing electrostatic discharge	100
Grounding methods to prevent electrostatic discharge	100
Technical support	101
HP contact information	101
Before you contact HP	101
Customer Self Repair	101
Acronyms and abbreviations	109
Index	113

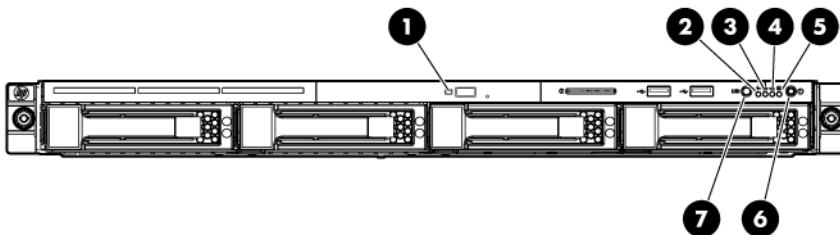
Component identification

Front panel components



Item	Description
1	Optical drive
2	Serial label pull tab
3	USB ports (2)
4	Unit Identification (UID) button/LED
5	Power/standby button LED
6	Hard drive bays (4)

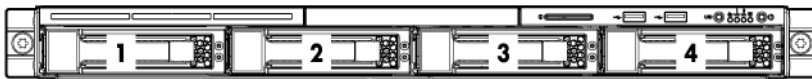
Front panel LEDs and buttons



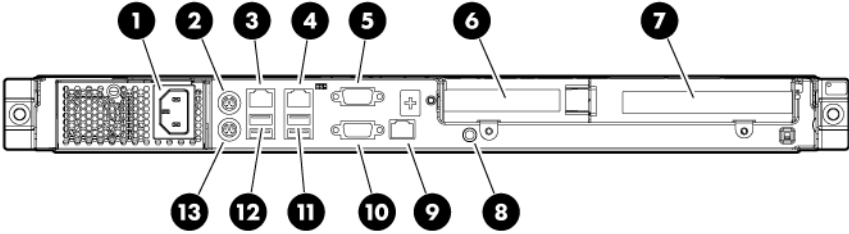
Item	Description	Status
1	Optical drive LED	On = Drive is in use. Off = Drive is not active.

Item	Description	Status
2	Internal health LED	Green = System health is normal. Amber = System health is degraded. To identify the component in a degraded state, see "System board LEDs (on page 11)." Red = System health is critical. To identify the component in a critical state, see "System board LEDs (on page 11)." Off = System health is normal (when in standby mode).
3	NIC 1 link/activity LED	Green = Network link exists. Flashing green = Network link and activity exist. Off = No network link exists. If power is off, view the LEDs on the RJ-45 connector. See "Rear panel LEDs and buttons (on page 8)."
4	NIC 2 link/activity LED	Green = Network link exists. Flashing green = Network link and activity exist. Off = No network link exists. If power is off, view the LEDs on the RJ-45 connector. See "Rear panel LEDs and buttons (on page 8)."
5	Drive activity LED	Green = Drive activity is normal. Off = No drive activity exists.
6	Power On/Standby button and system power LED	Green = Normal (system on) Amber = System is in standby, but power is still applied. Off = Power cord is not attached or the power supply has failed.
7	UID button/LED	Blue = Identification is activated. Flashing blue = System is being managed remotely. Off = Identification is deactivated.

SAS and SATA device numbers

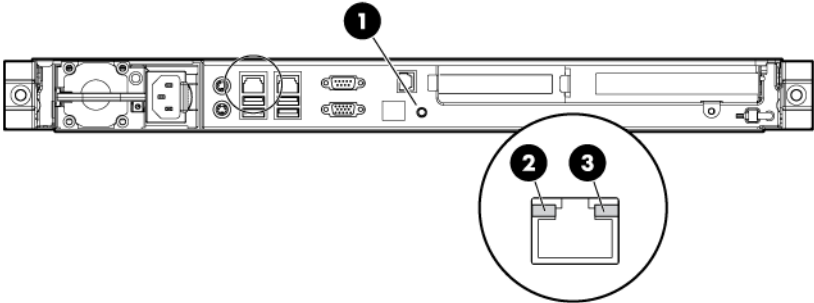


Rear panel components



Item	Description
1	Power cord connector
2	Mouse connector
3	10/100/1000 NIC 1 connector/shared Lights-Out 100 management port
4	10/100/1000 NIC 2 connector
5	Serial connector
6	Slot 1 PCIe2 x16 (4, 2, 1)
7	Slot 2 PCIe2 x16 (16, 8, 4, 1)
8	UID button/LED
9	Dedicated Lights-Out 100 management port
10	Video connector
11	USB connectors (2)
12	USB connectors (2)
13	Keyboard connector

Rear panel LEDs and buttons

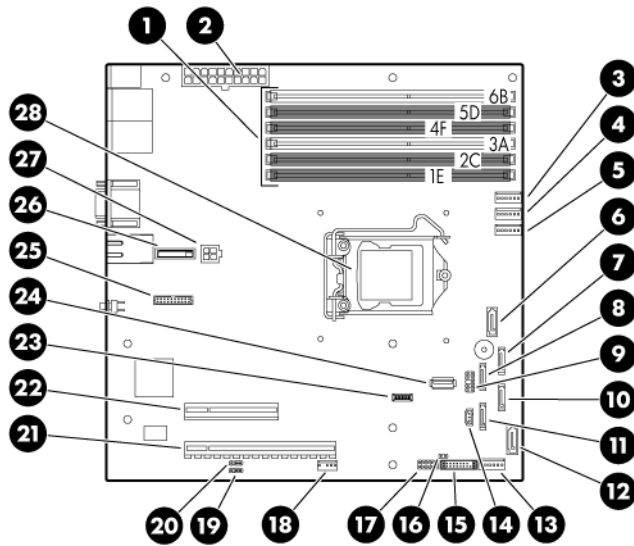


Item	Description	Status
1	UID button/LED	Blue = Identification Flashing blue = System is being managed remotely. Off = Off
2	NIC/Lights-Out 100 link	Green or flashing green = 10M/100M link speed Amber = 1-GB link speed Off = No connection
3	NIC/Lights-Out 100 activity	Green = Linked to the network Flashing green = Linked and activity on the network Off = No network activity

PCI expansion slot definitions

Slot	Type	Length	Connector	Interconnect
1	PCIe2	Full	x16	x16
1	Optional PCI-X	Full	133 MHz/3.3 V	64 bit
2	PCIe	Half	x16	x4

System board components



Item	Description
1	DIMM slots (6)
2	24-pin ATX system board power connector
3	Processor fan 1 cable connector
4	Processor fan 2 cable connector

Item	Description
5	Processor fan 3 cable connector
6	Optical drive SATA cable connector
7	Hard drive 4 SATA cable connector
8	Hard drive 3 SATA cable connector
9	Hard drive backplane SGPIO connector
10	Hard drive 2 SATA cable connector
11	Hard drive 1 SATA cable connector
12	Reserved
13	System fan 4 cable connector
14	Hard drive backplane 12C cable connector
15	Front panel board cable connector
16	External SAS hard drive LED cable connector
17	Front USB port cable connector
18	Internal USB connector for tape device
19	BMC recovery jumper
20	BMC password reset jumper
21	Expansion slot 1 (for riser board)
22	Expansion slot 2 (for riser board)
23	System maintenance switch
24	Internal USB connector for STD USB
25	TPM connector
26	System battery
27	4-pin ATX processor power connector
28	Processor

System maintenance switch

Position	Default	Function
S1	Off	Off = Normal On = Clears the BIOS CMOS and rests the administrator password.
S2	Off	Off = Normal BIOS boot block On = Recovery BIOS boot block
S3	Off	Off = Disables the RAID key. On = Enables the RAID key.
S4	Off	Reserved
S5	Off	Reserved
S6	Off	Reserved
S7	Off	Reserved

Position	Default	Function
S8	Off	Reserved

NMI functionality

An NMI crash dump enables administrators to create crash dump files when a system is hung and is not responding to traditional debug mechanisms.

Crash dump log analysis is an essential part of diagnosing reliability problems, such as hangs in operating systems, device drivers, and applications. Many crashes freeze a system, and the only available action for administrators is to cycle the system power. Resetting the system erases any information that could support problem analysis, but the NMI feature preserves that information by performing a memory dump before a hard reset.

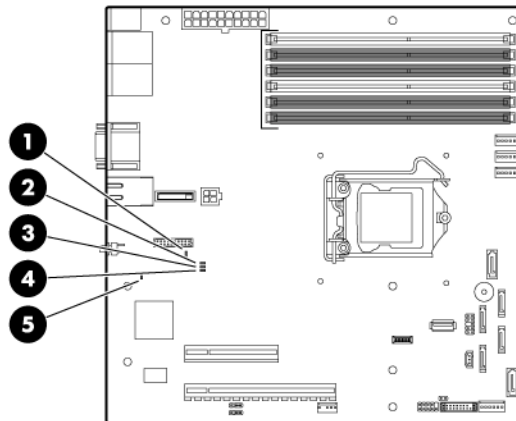
To force the OS to invoke the NMI handler and generate a crash dump log, the administrator can do any of the following:

- Short the NMI jumper pins
- Press the NMI switch
- Use the Lights-Out 100 Virtual NMI feature

For additional information, see the whitepaper on the HP website

(<http://h20000.www2.hp.com/bc/docs/support/SupportManual/c00797875/c00797875.pdf>).

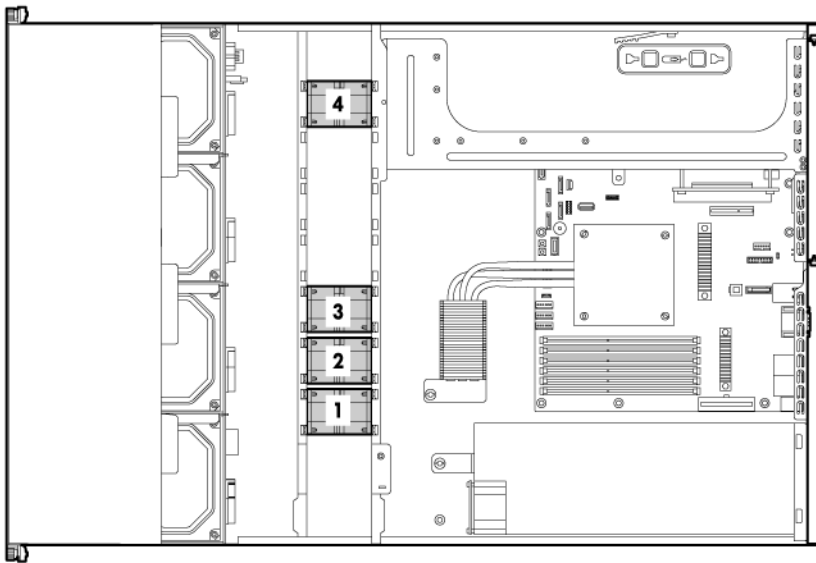
System board LEDs



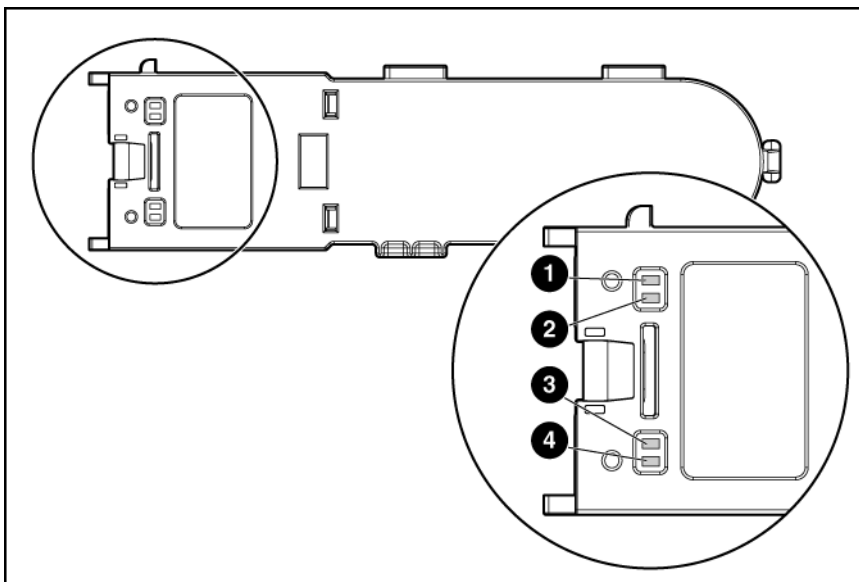
Item	LED description	Status
1	Processor fan failure	Amber = Processor fan error Off = Normal
2	DIMM failure	Amber = DIMM has failed or is missing. Off = Normal

Item	LED description	Status
3	Overtemperature	Amber = System has reached a cautionary or critical temperature level. Off = Normal
4	System fan failure	Amber = System fan has failed or is missing. Off = Normal
5	BMC Heartbeat	Flashing = Normal Off = BMC is not functioning.

Fan locations



Battery pack LEDs

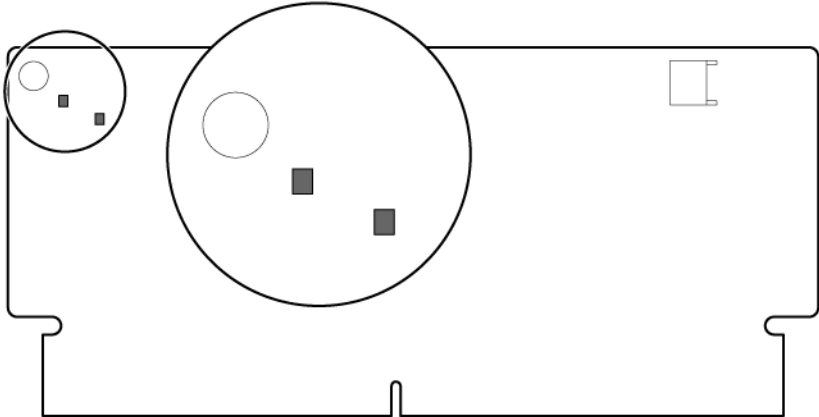


Item ID	Color	Description
1	Green	System Power LED. This LED glows steadily when the system is powered up and 12 V system power is available. This power supply is used to maintain the battery charge and provide supplementary power to the cache microcontroller.
2	Green	Auxiliary Power LED. This LED glows steadily when 3.3V auxiliary voltage is detected. The auxiliary voltage is used to preserve BBWC data and is available any time that the system power cords are connected to a power supply.
3	Amber	Battery Health LED. To interpret the illumination patterns of this LED, see the following table.
4	Green	BBWC Status LED. To interpret the illumination patterns of this LED, see the following table.

LED3 pattern	LED4 pattern	Interpretation
—	One blink every two seconds	The system is powered down, and the cache contains data that has not yet been written to the drives. Restore system power as soon as possible to prevent data loss. Data preservation time is extended any time that 3.3 V auxiliary power is available, as indicated by LED 2. In the absence of auxiliary power, battery power alone preserves the data. A fully-charged battery can normally preserve data for at least two days. The battery lifetime also depends on the cache module size. For further information, refer to the controller QuickSpecs on the HP website (http://www.hp.com).
—	Double blink, then pause	The cache microcontroller is waiting for the host controller to communicate.
—	One blink per second	The battery pack is below the minimum charge level and is being charged. Features that require a battery (such as write cache, capacity expansion, stripe size migration, and RAID migration) are temporarily unavailable until charging is complete. The recharge process takes between 15 minutes and two hours, depending on the initial capacity of the battery.
—	Steady glow	The battery pack is fully charged, and posted write data is stored in the cache.
—	Off	The battery pack is fully charged, and there is no posted write data in the cache.
One blink per second	One blink per second	An alternating green and amber blink pattern indicates that the cache microcontroller is executing from within its boot loader and receiving new flash code from the host controller.
Steady glow	—	There is a short circuit across the battery terminals or within the battery pack. BBWC features are disabled until the battery pack is replaced. The life expectancy of a battery pack is typically more than three years.
One blink per second	—	There is an open circuit across the battery terminals or within the battery pack. BBWC features are disabled until the battery pack is replaced. The life expectancy of a battery pack is typically more than three years.

FBWC module LEDs

The FBWC module has two single-color LEDs (green and amber). The LEDs are duplicated on the reverse side of the cache module to facilitate status viewing.



Green LED	Amber LED	Interpretation
Off	On	A backup is in progress.
Flashing (1 Hz)	On	A restore is in progress.
Flashing (1 Hz)	Off	The capacitor pack is charging.
On	Off	The capacitor pack has completed charging.
Flashing (2 Hz) Alternating with amber LED	Flashing (2 Hz) Alternating with green LED	One of the following conditions exists: <ul style="list-style-type: none"> The charging process has timed out. The capacitor pack is not connected.
On	On	The flash code image failed to load.
Off	Off	The flash code is corrupt.

Operations

Power up the server

To power up the server, press the Power On/Standby button.

Power down the server



WARNING: To reduce the risk of personal injury, electric shock, or damage to the equipment, remove the power cord to remove power from the server. The front panel Power On/Standby button does not completely shut off system power. Portions of the power supply and some internal circuitry remain active until AC power is removed.



IMPORTANT: If installing a hot-plug device, it is not necessary to power down the server.

1. Back up the server data.
2. Shut down the operating system as directed by the operating system documentation.

NOTE: If the operating system automatically places the server in Standby mode, omit the next step.

3. Press the Power On/Standby button to place the server in Standby mode. When the server activates Standby power mode, the system power LED changes to amber.



IMPORTANT: Pressing the UID button illuminates the blue UID LEDs on the front and rear panels. In a rack environment, this feature facilitates locating a server when moving between the front and rear of the rack.

4. Disconnect the power cords.

The system is now without power.

Remove the server from the rack



WARNING: The server is not attached to the rack mounting rails. To avoid potential damage to the server and personal injury, always support the server with both hands when removing it from the rack.

To remove the server from an HP, Compaq branded, telco, or third-party rack:

1. Power down the server (on page 15).
2. Disconnect all peripheral cables and power cords from the server rear panel.
3. Loosen the thumbscrews that secure the server faceplate to the front of the rack.
4. Remove the server from the rack. For more information, see the documentation that ships with the rack mounting option.

5. Place the server on a sturdy, level surface.

Remove the access panel

⚠ WARNING: To reduce the risk of personal injury from hot surfaces, allow the drives and the internal system components to cool before touching them.

⚠ CAUTION: Do not operate the server for long periods with the access panel open or removed. Operating the server in this manner results in improper airflow and improper cooling that can lead to thermal damage.

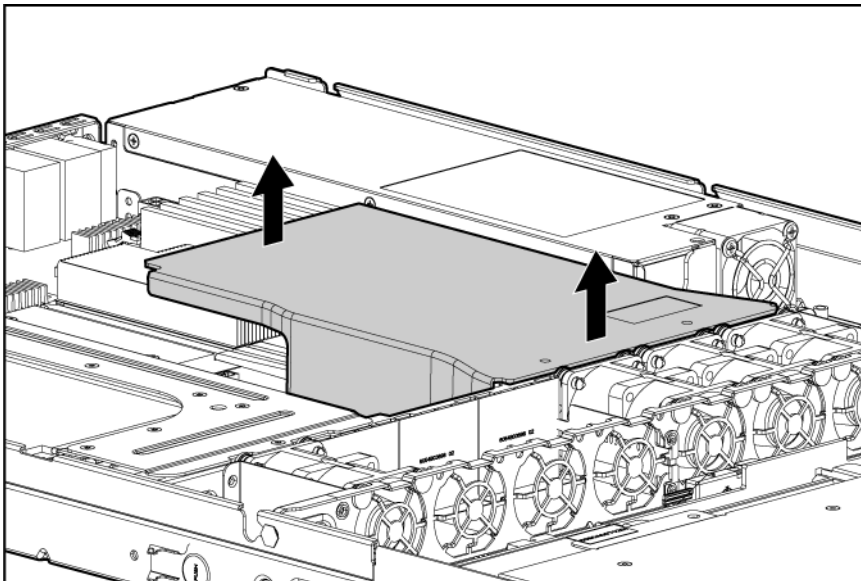
To remove the component:

1. Power down the server (on page 15).
2. Remove the server from the rack (on page 15).
3. Open the latch, slide the access panel to the rear of the chassis, and remove the access panel.
If the latch is locked, use a T-15 Torx screwdriver to unlock the latch.

Remove the air baffle

To remove the component:

1. Power down the server (on page 15).
2. Remove the server from the rack (on page 15).
3. Remove the access panel (on page 16).

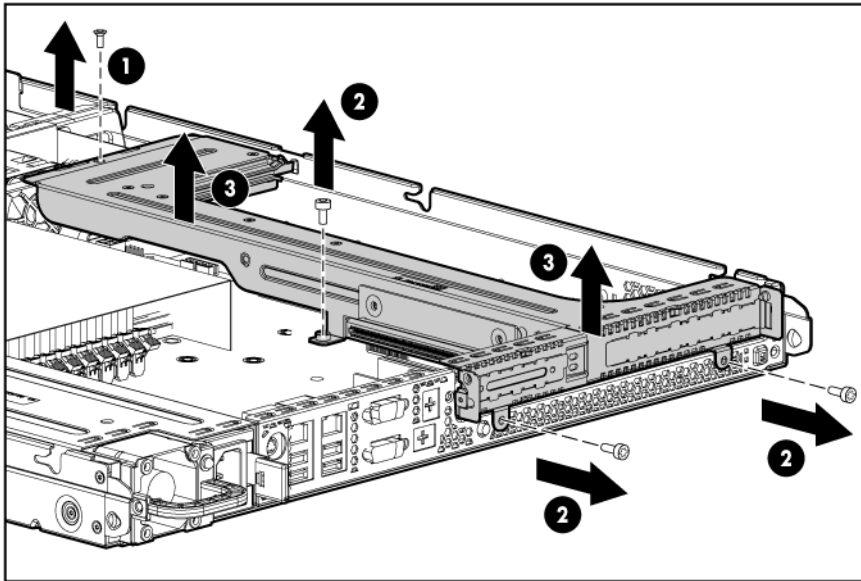


To replace the component, reverse the removal procedure.

Remove the PCI riser board assembly

⚠ CAUTION: To prevent damage to the server or expansion boards, power down the server and remove all AC power cords before removing or installing the PCI riser board assembly.

1. Power down the server (on page 15).
2. Remove the server from the rack (on page 15).
3. Remove the access panel (on page 16).
4. Disconnect all internal cables connected to existing expansion boards.
5. Remove the PCI riser board assembly:
 - a. Remove the T-10 screw.
 - b. Remove the T-15 screws.
 - c. Remove the riser board assembly.

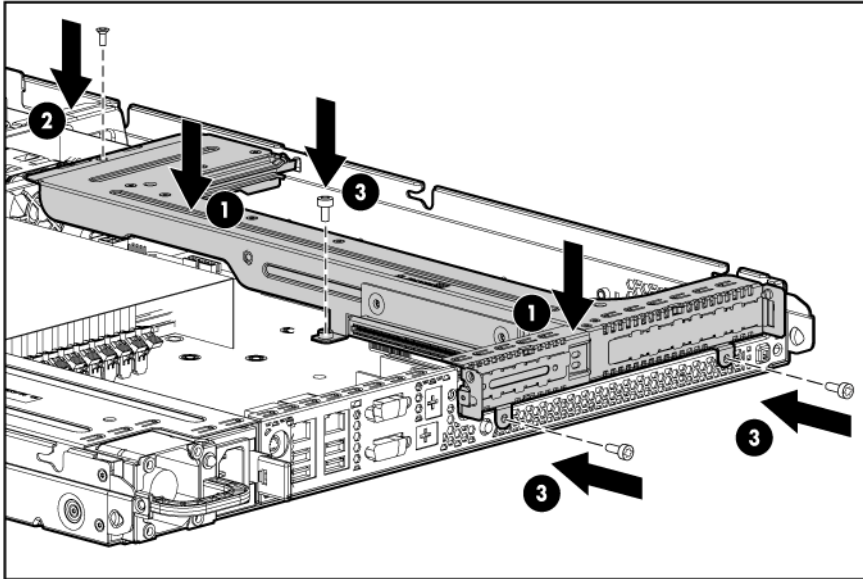


Install the PCI riser board assembly



CAUTION: To prevent damage to the server or expansion boards, power down the server and remove all AC power cords before removing or installing the PCI riser board assembly.

1. Install the PCI riser board assembly.



2. Connect any internal cables for expansion boards.
3. Install the access panel.
4. Install the server into the rack.

Setup

Optional installation services

Delivered by experienced, certified engineers, HP Care Pack services help you keep your servers up and running with support packages tailored specifically for HP ProLiant systems. HP Care Packs let you integrate both hardware and software support into a single package. A number of service level options are available to meet your needs.

HP Care Pack Services offer upgraded service levels to expand the standard product warranty with easy-to-buy, easy-to-use support packages that help you make the most of your server investments. Some of the Care Pack services are:

- Hardware support
 - 6-hour call-to-repair
 - 4-hour 24x7 same day
 - 4-hour same business day
- Software support
 - Microsoft®
 - Linux
- Integrated hardware and software support
 - Critical Service
 - Proactive 24
 - Support Plus
 - Support Plus 24
- Startup and implementation services for both hardware and software

For more information on Care Packs, refer to the HP website (http://www.hp.com/hps/carepack/servers/cp_proliant.html).

Rack planning resources

The rack resource kit ships with all HP branded or Compaq branded 9000, 10000, and H9 series racks. For more information on the content of each resource, refer to the rack resource kit documentation.

If you intend to deploy and configure multiple servers in a single rack, refer to the white paper on high-density deployment at the HP website (<http://www.hp.com/products/servers/platforms>).

Optimum environment

When installing the server, select a location that meets the environmental standards described in this section.

Space and airflow requirements

Tower server


In a tower configuration, leave at least a 7.6-cm (3-in) clearance space at the front and back of the server for proper ventilation.

Rack server


To allow for servicing and adequate airflow, observe the following space and airflow requirements when deciding where to install a rack:

- Leave a minimum clearance of 63.5 cm (25 in) in front of the rack.
- Leave a minimum clearance of 76.2 cm (30 in) behind the rack.
- Leave a minimum clearance of 121.9 cm (48 in) from the back of the rack to the back of another rack or row of racks.


HP servers draw in cool air through the front door and expel warm air through the rear door. Therefore, the front and rear rack doors must be adequately ventilated to allow ambient room air to enter the cabinet, and the rear door must be adequately ventilated to allow the warm air to escape from the cabinet.


 **CAUTION:** To prevent improper cooling and damage to the equipment, do not block the ventilation openings.

When vertical space in the rack is not filled by a server or rack component, the gaps between the components cause changes in airflow through the rack and across the servers. Cover all gaps with blanking panels to maintain proper airflow.

 **CAUTION:** Always use blanking panels to fill empty vertical spaces in the rack. This arrangement ensures proper airflow. Using a rack without blanking panels results in improper cooling that can lead to thermal damage.

The 9000 and 10000 Series Racks provide proper server cooling from flow-through perforations in the front and rear doors that provide 64 percent open area for ventilation.

 **CAUTION:** When using a Compaq branded 7000 Series rack, you must install the high airflow rack door insert [P/N 327281-B21 (42U) or P/N 157847-B21 (22U)] to provide proper front-to-back airflow and cooling.


 **CAUTION:** If a third-party rack is used, observe the following additional requirements to ensure adequate airflow and to prevent damage to the equipment:

- Front and rear doors—If the 42U rack includes closing front and rear doors, you must allow 5,350 sq cm (830 sq in) of holes evenly distributed from top to bottom to permit adequate airflow (equivalent to the required 64 percent open area for ventilation).
- Side—The clearance between the installed rack component and the side panels of the rack must be a minimum of 7 cm (2.75 in).

Temperature requirements


To ensure continued safe and reliable equipment operation, install or position the system in a well-ventilated, climate-controlled environment.


The maximum recommended ambient operating temperature (TMRA) for most server products is 35°C (95°F). The temperature in the room where the rack is located must not exceed 35°C (95°F).

-
-  **CAUTION:** To reduce the risk of damage to the equipment when installing third-party options:
- Do not permit optional equipment to impede airflow around the server or to increase the internal rack temperature beyond the maximum allowable limits.
 - Do not exceed the manufacturer's TMRA.
-

Power requirements

Installation of this equipment must comply with local and regional electrical regulations governing the installation of information technology equipment by licensed electricians. This equipment is designed to operate in installations covered by NFPA 70, 1999 Edition (National Electric Code) and NFPA-75, 1992 (code for Protection of Electronic Computer/Data Processing Equipment). For electrical power ratings on options, refer to the product rating label or the user documentation supplied with that option.

-
-  **WARNING:** To reduce the risk of personal injury, fire, or damage to the equipment, do not overload the AC supply branch circuit that provides power to the rack. Consult the electrical authority having jurisdiction over wiring and installation requirements of your facility.
-

-  **CAUTION:** Protect the server from power fluctuations and temporary interruptions with a regulating uninterruptible power supply (UPS). This device protects the hardware from damage caused by power surges and voltage spikes and keeps the system in operation during a power failure.
-

When installing more than one server, you may need to use additional power distribution devices to safely provide power to all devices. Observe the following guidelines:

- Balance the server power load between available AC supply branch circuits.
- Do not allow the overall system AC current load to exceed 80 percent of the branch circuit AC current rating.
- Do not use common power outlet strips for this equipment.
- Provide a separate electrical circuit for the server.

Electrical grounding requirements

The server must be grounded properly for proper operation and safety. In the United States, you must install the equipment in accordance with NFPA 70, 1999 Edition (National Electric Code), Article 250, as well as any local and regional building codes. In Canada, you must install the equipment in accordance with Canadian Standards Association, CSA C22.1, Canadian Electrical Code. In all other countries, you must install the equipment in accordance with any regional or national electrical wiring codes, such as the International Electrotechnical Commission (IEC) Code 364, parts 1 through 7. Furthermore, you must be sure that all power distribution devices used in the installation, such as branch wiring and receptacles, are listed or certified grounding-type devices.

Because of the high ground-leakage currents associated with multiple servers connected to the same power source, HP recommends the use of a PDU that is either permanently wired to the building's branch circuit or includes a nondetachable cord that is wired to an industrial-style plug. NEMA locking-style plugs or those complying with IEC 60309 are considered suitable for this purpose. Using common power outlet strips for the server is not recommended.

Rack warnings



WARNING: To reduce the risk of personal injury or damage to the equipment, be sure that:

- The leveling jacks are extended to the floor.
- The full weight of the rack rests on the leveling jacks.
- The stabilizing feet are attached to the rack if it is a single-rack installation.
- The racks are coupled together in multiple-rack installations.
- Only one component is extended at a time. A rack may become unstable if more than one component is extended for any reason.



WARNING: To reduce the risk of personal injury or equipment damage when unloading a rack:

- At least two people are needed to safely unload the rack from the pallet. An empty 42U rack can weigh as much as 115 kg (253 lb), can stand more than 2.1 m (7 ft) tall, and may become unstable when being moved on its casters.
- Never stand in front of the rack when it is rolling down the ramp from the pallet. Always handle the rack from both sides.

Installing hardware options

Install any hardware options before initializing the server. For options installation information, refer to the option documentation. For server-specific information, refer to "Hardware options installation (on page 23)."

Powering up and configuring the server

To power up the server, press the Power On/Standby button.

For detailed information on configuring the server, see the server installation sheet.

Installing the operating system

To operate properly, the server must have a supported operating system. For the latest information on supported operating systems, refer to the HP website (<http://www.hp.com/go/supportos>).

To install an operating system on the server, insert the operating system CD into the CD-ROM drive and reboot the server. This process may require you to obtain additional drivers from the support CD shipped with the server or the CD that shipped with the option. The drivers may have updates that are available on the HP website (<http://www.hp.com/support>).

Follow the on-screen instructions to begin the installation process.


Registering the server


To register the server, refer to the HP Registration website (<http://register.hp.com>).

Hardware options installation


Introduction

If more than one option is being installed, read the installation instructions for all the hardware options and identify similar steps to streamline the installation process.

 **WARNING:** To reduce the risk of personal injury from hot surfaces, allow the drives and the internal system components to cool before touching them.

 **CAUTION:** To prevent damage to electrical components, properly ground the server before beginning any installation procedure. Improper grounding can cause electrostatic discharge.

Memory options

 **IMPORTANT:** This server does not support mixing RDIMMs and UDIMMs. Attempting to mix these two types causes the server to halt during BIOS initialization.

The memory subsystem in this server can support RDIMMs or UDIMMs. Both types are referred to as DIMMs when the information applies to both types. When specified as RDIMM or UDIMM, the information applies to that type only. All memory installed in the server must be the same type.

The server supports the following DIMM speeds:

- Single- and dual-rank PC3-10600 (DDR-1333) DIMMs operating at 1333 and 1066 MHz
- Quad-rank PC3-8500 (DDR-1067) DIMMs operating at 1066 MHz

Depending on the processor model, the number of DIMMs installed, and whether UDIMMs or RDIMMs are installed, the memory clock speed may be reduced to 1066 or 800 MHz. For more information on the effect of DIMM slot population, see "General DIMM slot population guidelines (on page 25)."

Memory subsystem architecture

The memory subsystem in this server is divided into channels. The processor supports two channels, and each channel supports three DIMM slots, as shown in the following table.

Channel	Slot	Slot number
1	E	1
	C	2
	A	3
2	F	4
	D	5
	B	6

This server supports both Registered PC3 DIMMs (RDIMMs) and Unbuffered DIMMs (UDIMMs).

DIMM slots in this server are identified by number and by letter. Letters identify the slots to populate for specific AMP modes. Slot numbers are reported by ROM messages during boot and for error reporting.

Single-, dual-, and quad-rank DIMMs

To understand and configure memory protection modes properly, an understanding of single-, dual-, and quad-rank DIMMs is helpful. Some DIMM configuration requirements are based on these classifications.

A single-rank DIMM has one set of memory chips that is accessed while writing to or reading from the memory. A dual-rank DIMM is similar to having two single-rank DIMMs on the same module, with only one rank accessible at a time. A quad-rank DIMM is, effectively, two dual-rank DIMMs on the same module. Only one rank is accessible at a time. The server memory control subsystem selects the proper rank within the DIMM when writing to or reading from the DIMM.

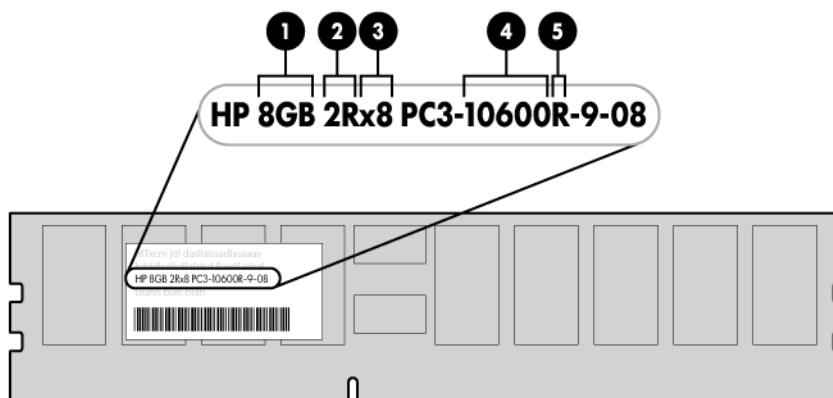
Dual- and quad-rank DIMMs provide the greatest capacity with the existing memory technology. For example, if current DRAM technology supports 2-GB single-rank DIMMs, a dual-rank DIMM would be 4-GB, and a quad-rank DIMM would be 8-GB.

DIMM identification



IMPORTANT: This server does not support mixing RDIMMs and UDIMMs. Attempting to mix these two types causes the server to halt during BIOS initialization.

The memory subsystem may be populated with either RDIMMs or UDIMMs, but mixing the two types is not supported. To determine DIMM characteristics, use the label attached to the DIMM and the following illustration and table.



Item	Description	Definition
1	Size	—
2	Rank	1R = Single-rank 2R = Dual-rank 4R = Quad-rank
3	Data width	x4 = 4-bit x8 = 8-bit

Item	Description	Definition
4	Memory speed	10600 = 1333-MHz 8500 = 1066-MHz
5	DIMM type	R = RDIMM (registered) E = UDIMM (unbuffered with ECC)

For the latest supported memory information, see the QuickSpecs on the HP website (<http://www.hp.com>).

General DIMM slot population guidelines

- The HP ProLiant DL120 G6 Server has six memory slots.
- There are two channels per server with three DIMM slot per channel.
- Memory channel 1 consists of the three (3) DIMMs that are closest to the processor
- Memory channel 2 consists of the three (3) DIMMs that are furthest from the processor
- Different types of processors have different types of memory support.
- The server supports up to 12 GB (6 x 2-GB) for Registered Memory configurations.
- The server supports up to 16 GB (4 x 4-GB) for Unbuffered Memory configurations.

Observe the following guidelines when installing DIMMs:

- Do not mix Unbuffered and Registered PC3 DIMMs.
- Do not mix DIMMs of varying speeds.
- Do not mix DIMMs of varying voltages.
- Do not mix Unbuffered memory (UDIMMs) with Registered memory (RDIMMs).
- Do not install DIMMs if the processor is not installed.
- Populate DIMMs from heaviest load (double-rank) to lightest load (single-rank) within a channel.
- Heaviest load (DIMM with most ranks) within a channel goes furthest from the CPU.
- Non-ECC DIMMs are not supported
- Each channel supports up to two Unbuffered DIMMs.
- When using UDIMMs, use ECC only.
- When possible, balance the loads per channel.
- If quad-rank DIMMs are installed for the processor, a maximum of two DIMMs can be installed on each channel for that processor.
- If a channel contains quad-rank DIMMs, the quad-rank DIMM must be installed first on that channel.
- 256MB technology, x4 DRAM on UDIMMs and quad-rank UDIMMs are not supported.
- Always use HP qualified DIMMs.

Populate the DIMM slots in the following sequence:

- DIMM 3A and DIMM 6B
- DIMM 2C and DIMM 5D
- DIMM1E and DIMM 4F

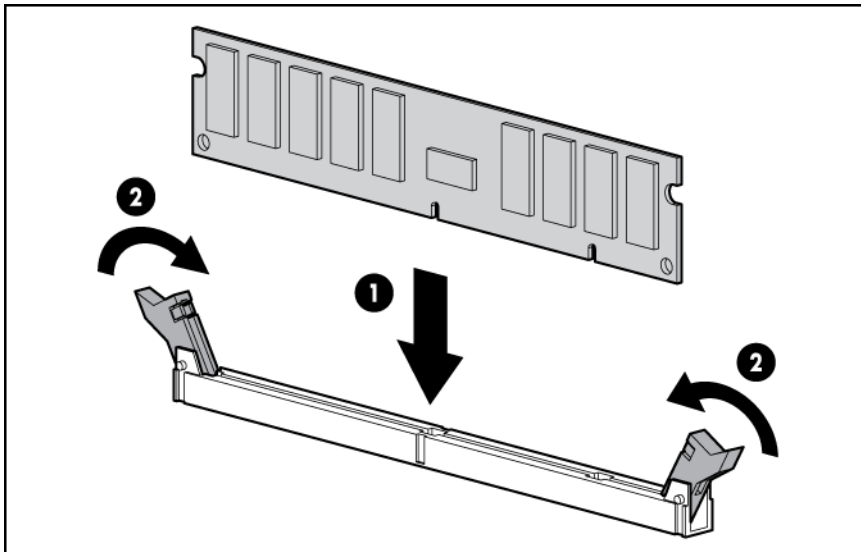
Installing DIMMs

CAUTION: To avoid damage to the hard drives, memory, and other system components, the air baffle, drive blanks, and access panel must be installed when the server is powered up.

1. Power down the server (on page 15).
2. Do one of the following:
 - o Unlock and remove the bezel.
 - o Extend the server from the rack.
3. Remove the access panel (on page 16).
4. Remove the air baffle (on page 16).

For more information, see the server installation sheet on the HP website (<http://www.hp.com/go/bizsupport>).

5. Open the DIMM slot latches.
6. Install the DIMM.



7. Install the air baffle.
8. Install the access panel.
9. Do one of the following:
 - o Close or install the tower bezel, as needed.
 - o Slide the server back into the rack.

If you are installing DIMMs in lock-step configuration, configure this mode in RBSU ("HP ROM-Based Setup Utility" on page 52).

For more information about LEDs and troubleshooting failed DIMMs, see the server installation sheet on the HP website (<http://www.hp.com/go/bizsupport>).

Hard drive options

The server provides non-hot-plug capability through an embedded SATA controller. To obtain hot-plug capability, install an optional controller and hot-plug cable option kit.

Hard drive guidelines

When adding hard drives to the server, observe the following general guidelines:

- The system automatically sets all drive numbers.
- If only one hard drive is used, install it in the bay with the lowest drive number.
- Drives must be the same capacity to provide the greatest storage space efficiency when drives are grouped together into the same drive array.

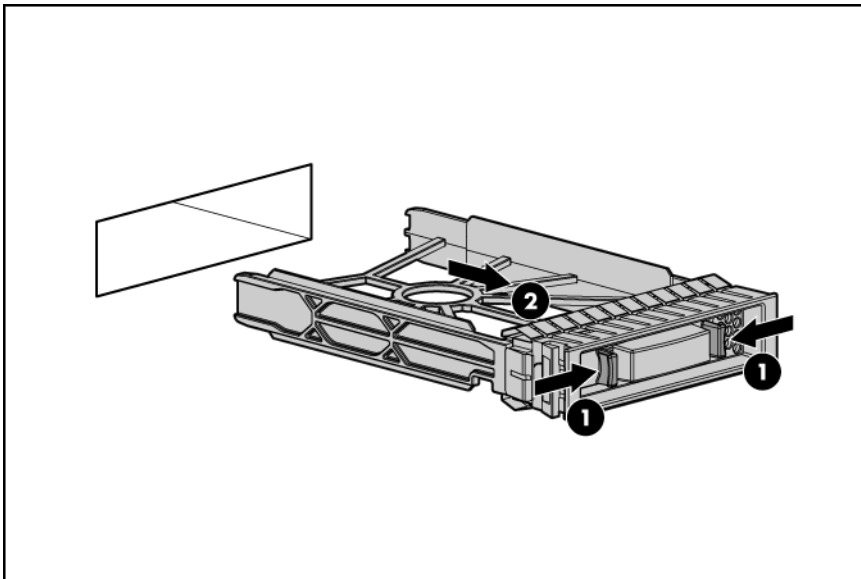
Optional storage controllers provide support for hot-plug capability and drive LEDs. Controller options are:

- The embedded controller supports non-hot-plug SATA hard drives. Drive LEDs are not supported.
- Optional SATA controllers support hot-plug SATA hard drives and drive LEDs.
- Optional SAS controllers support hot-plug SAS or SATA hard drives and drive LEDs.

Removing a hard drive blank

CAUTION: To prevent improper cooling and thermal damage, do not operate the server unless all bays are populated with either a component or a blank.

Remove the component as indicated.



Removing a hard drive

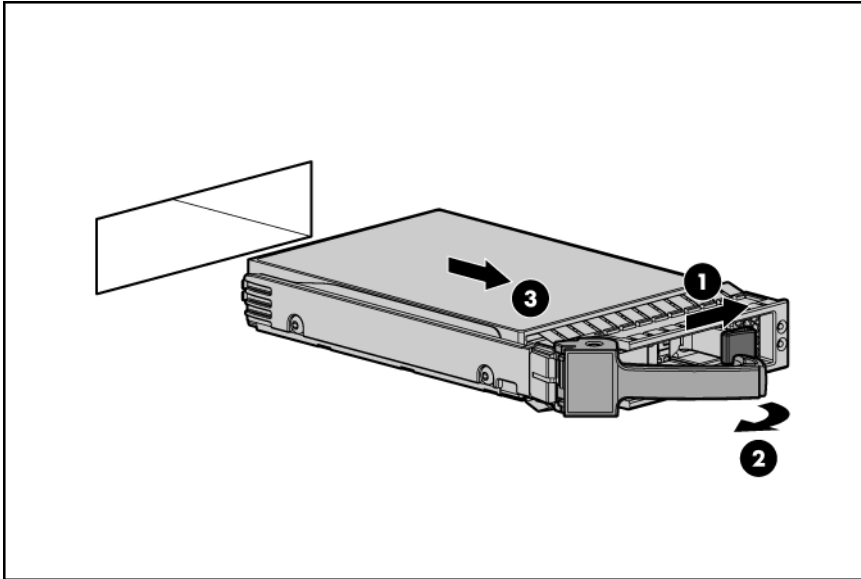
IMPORTANT: Hot-plug capability and drive LED support are only available when a supported optional controller is installed in the server.

To remove the component:

1. Back up all data on the hard drive.
2. Power down the server (on page 15).

CAUTION: To prevent improper cooling and thermal damage, do not operate the server unless all bays are populated with either a component or a blank.

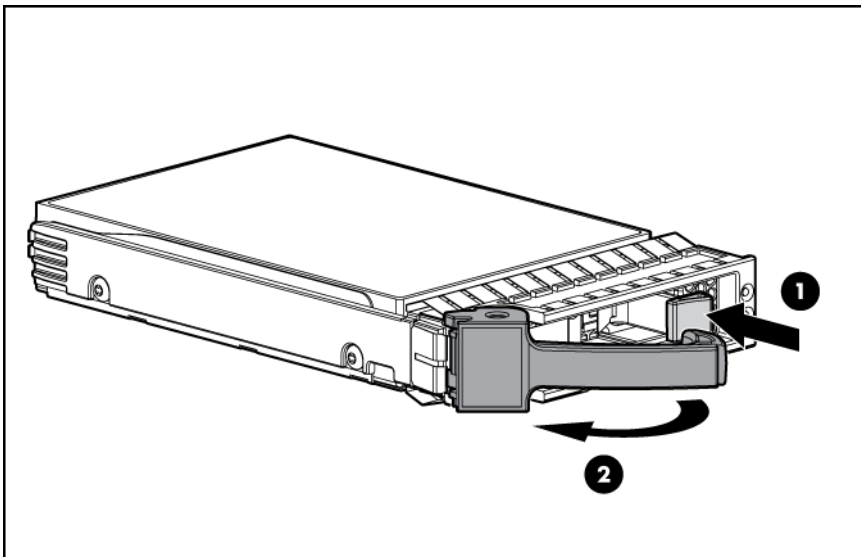
3. Remove the hard drive.



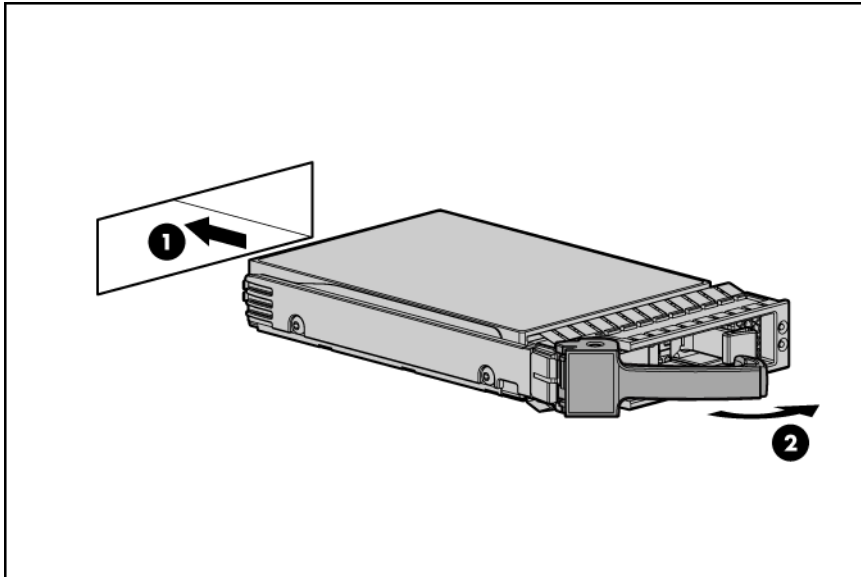
Installing a hot-plug hard drive

IMPORTANT: Hot-plug capability and drive LED support are only available when a supported optional controller is installed in the server.

1. Power down the server (on page 15).
2. Remove the existing hard drive blank ("[Removing a hard drive blank](#)" on page 27).
3. Prepare the hard drive.



4. Install the hard drive.



Installing a non-hot-plug hard drive

The server supports up to four SATA hard drives with the embedded controller.

The server supports up to four SAS hard drives with the following options:

- Optional SAS controller
- Optional SAS controller cable
- Optional SAS hard drive LED cable ("[SAS hard drive LED cable option](#)" on page [37](#)) (for LED functionality)

For optimal performance, do not mix SAS and SATA hard drives.



CAUTION: To prevent improper cooling and thermal damage, do not operate the server unless all bays are populated with either a component or a blank.

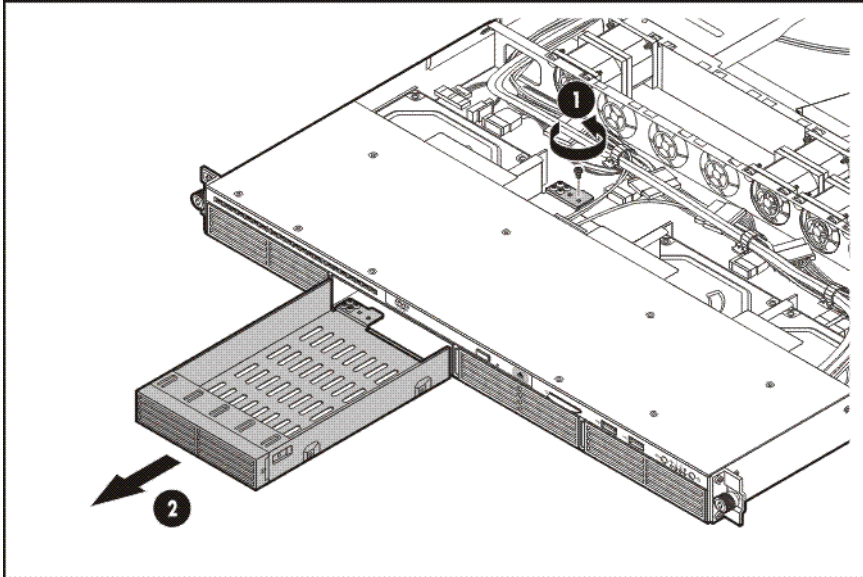


IMPORTANT: If only one hard drive is installed, install it in the bay with the lowest device number. For drive installation guidelines, refer to "SAS and SATA hard drive guidelines (on page [55](#))."

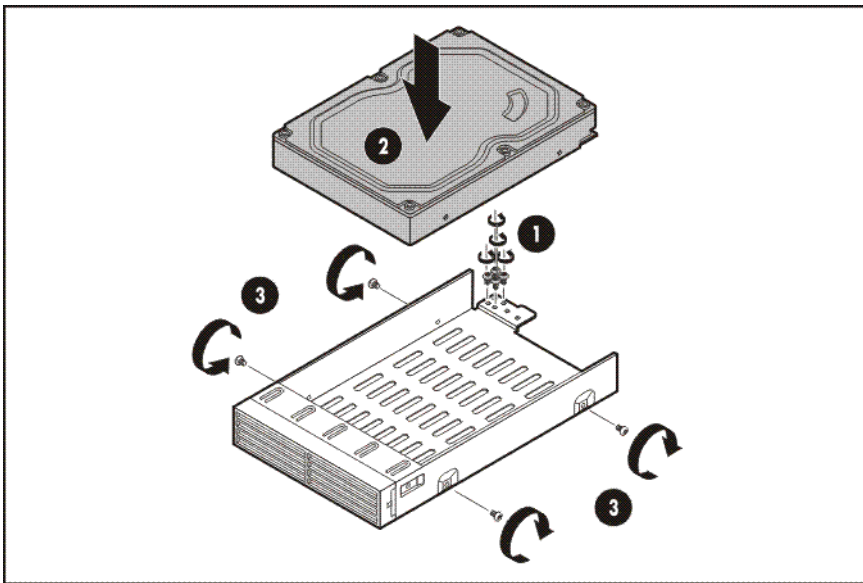
To install the component:

1. Power down the server (on page [15](#)).
2. Remove the server from the rack (on page [15](#)).
3. Remove the access panel (on page [16](#)).

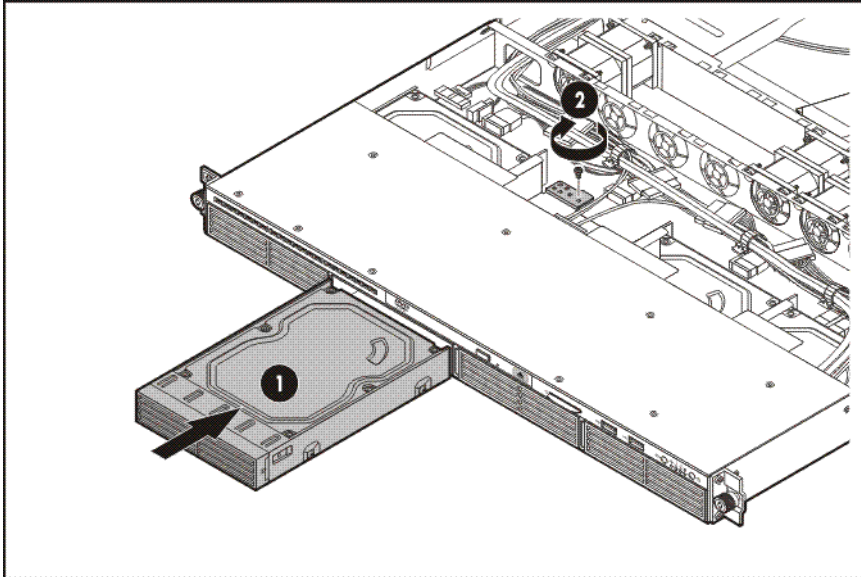
- Using a T-10 Torx screwdriver, remove the hard drive carrier.



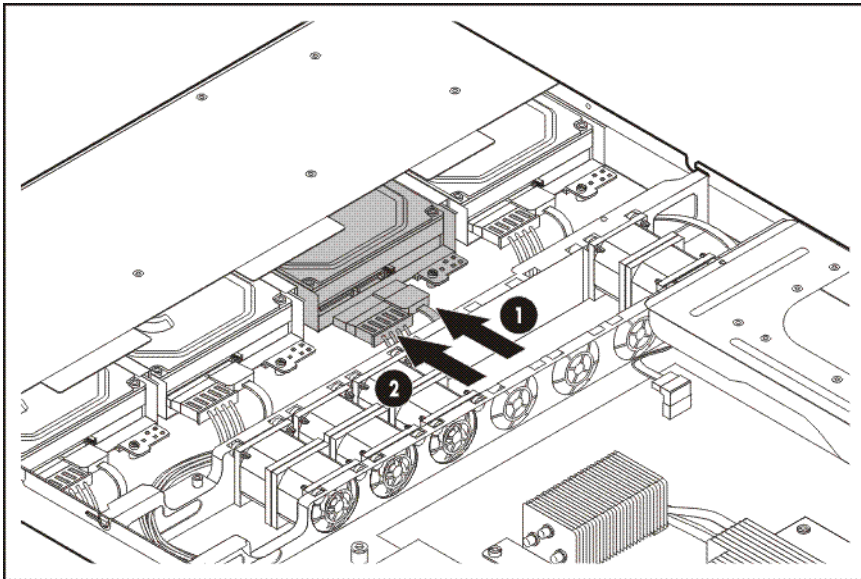
- Remove four T-10 screws from the hard drive carrier.
- Install the hard drive.



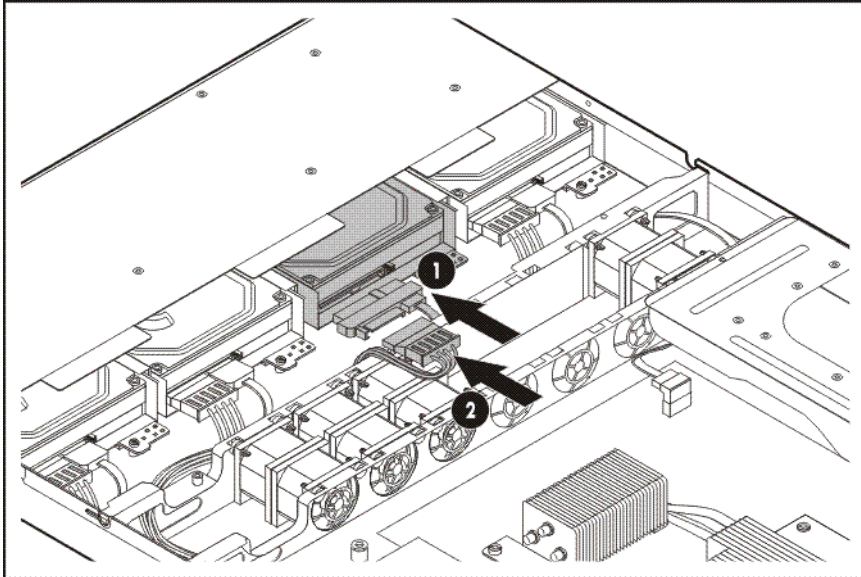
7. Install the hard drive assembly.



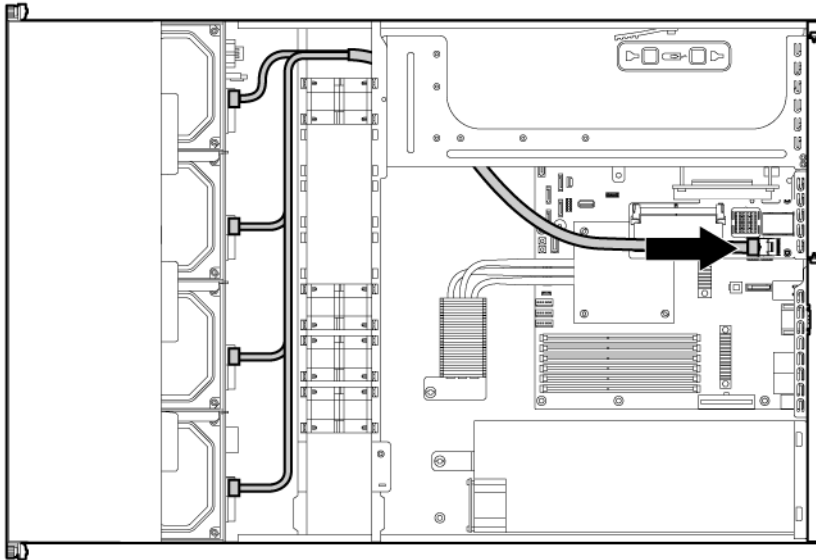
8. Route and connect the hard drive data and power cables to the hard drive.
For SAS and SATA device numbers, see the server installation sheet.
 - o SATA hard drive



- SAS hard drive



9. Connect the hard drive data cables:
- For SATA hard drives, connect the cable to the system board.
For more information, see the server installation sheet.
 - For SAS hard drives, connect the optional SAS/SATA controller cable to the optional SAS controller.

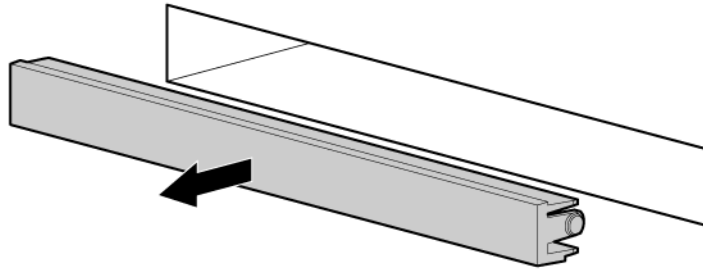


10. Install the access panel.
11. Install the server in the rack.
Resume normal server operations.

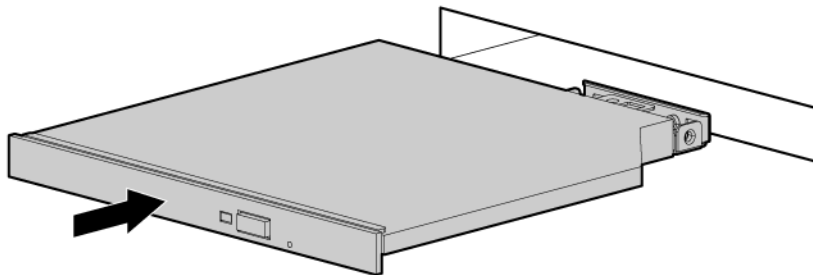
Optical drive option

To install the component:

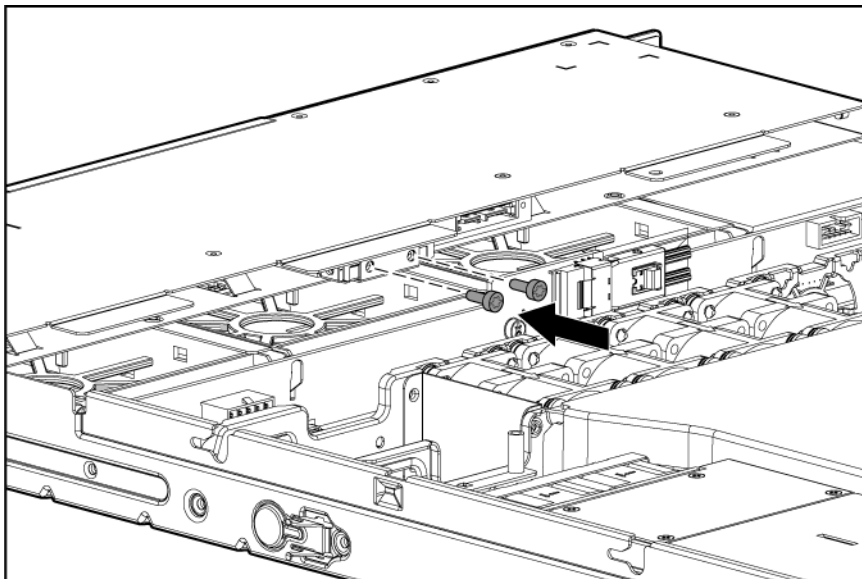
1. Power down the server (on page 15).
2. Remove the server from the rack (on page 15).
3. Remove the access panel (on page 16).
4. Remove the air baffle (on page 16).
5. Remove the 9.5-mm optical drive blank. Retain the blank for future use.



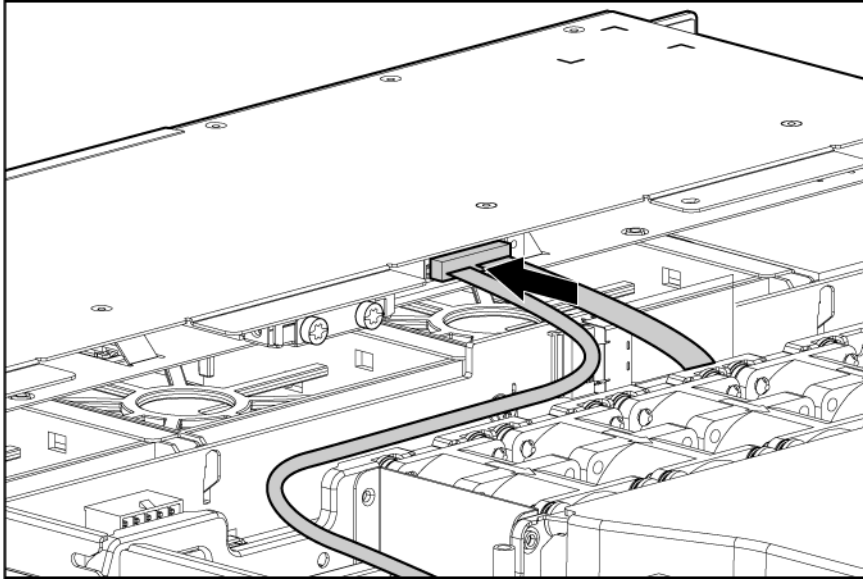
6. Install the 9.5-mm optical drive assembly. When fully inserted, the assembly locking latch clicks.



7. Using a T-15 screwdriver, secure the drive to the chassis.



8. Connect the optical drive and power cable to the optical drive.



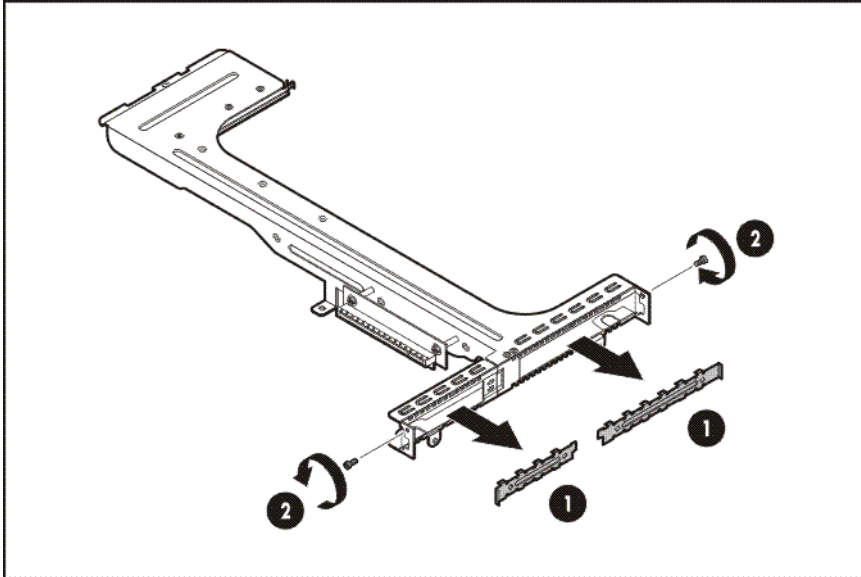
9. Connect the power connector to the power supply backplane.
10. Install the access panel.
11. Install the server into the rack.

Expansion board option

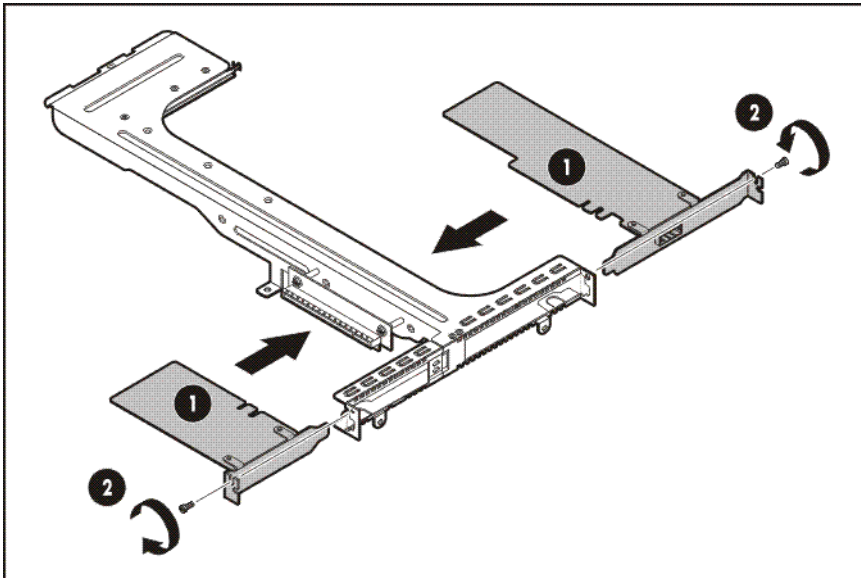
To install the component:

1. Power down the server (on page 15).
2. Remove the server from the rack (on page 15).
3. Remove the access panel (on page 16).
4. Disconnect all internal cables connected to any existing expansion boards.
5. Remove the PCI riser board assembly (on page 16).

6. Remove the expansion slot covers.



7. Install the expansion board.



IMPORTANT: The server does not power up if the PCI riser board assembly is not seated properly.

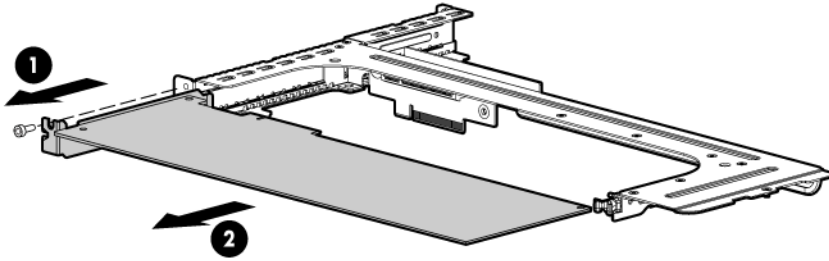
8. Install the PCI riser board assembly (on page 17).
9. Connect all internal cables for expansion boards.
10. Install the access panel.
11. Install the server into the rack.

PCI-X riser board option

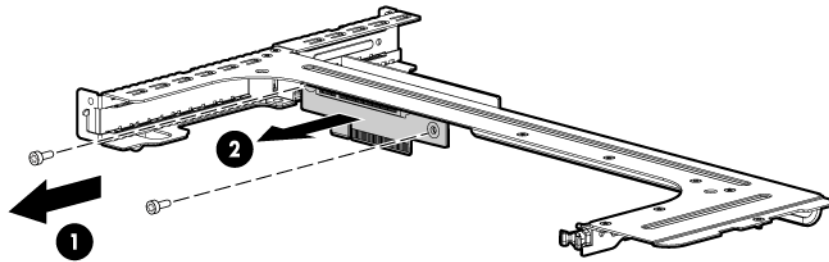
To install the component:

1. Power down the server (on page 15).

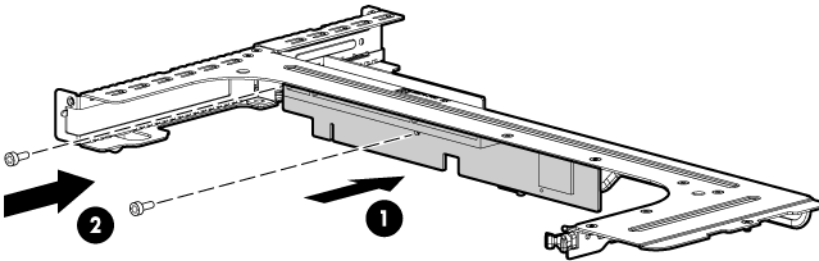
2. Remove the server from the rack (on page 15).
3. Remove the access panel (on page 16).
4. Disconnect all internal cables connected to existing expansion boards.
5. Remove the PCI riser board assembly (on page 16).
6. Remove all installed expansion boards.



7. Remove the PCIe riser board from the assembly.



8. Install the optional PCI-X riser board.



9. Install a PCI-X expansion board ("[Expansion board option](#)" on page 34).



IMPORTANT: The server does not power up if the PCI riser board assembly is not seated properly.

10. Install the PCI riser board assembly (on page 17).
11. Connect all internal cables for expansion boards.
12. Install the access panel.
13. Install the server into the rack.

Storage controller option



IMPORTANT: For additional installation and configuration information, refer to the documentation that ships with the option.

To install the component:

1. Power down the server (on page 15).
2. Remove the server from the rack (on page 15).
3. Remove the access panel (on page 16).
4. Remove the PCI riser board assembly (on page 16).
5. Remove the hard drive cables.
6. Install the storage controller ("[Expansion board option](#)" on page 34).
7. Connect the storage controller cable to the controller and to the hard drive.

See the server installation sheet and the documentation that ships with the storage controller.



IMPORTANT: The server does not power up if the PCI riser board assembly is not seated properly.

8. Install the PCI riser board assembly (on page 17).
9. Install the access panel.
10. Install the server into the rack.

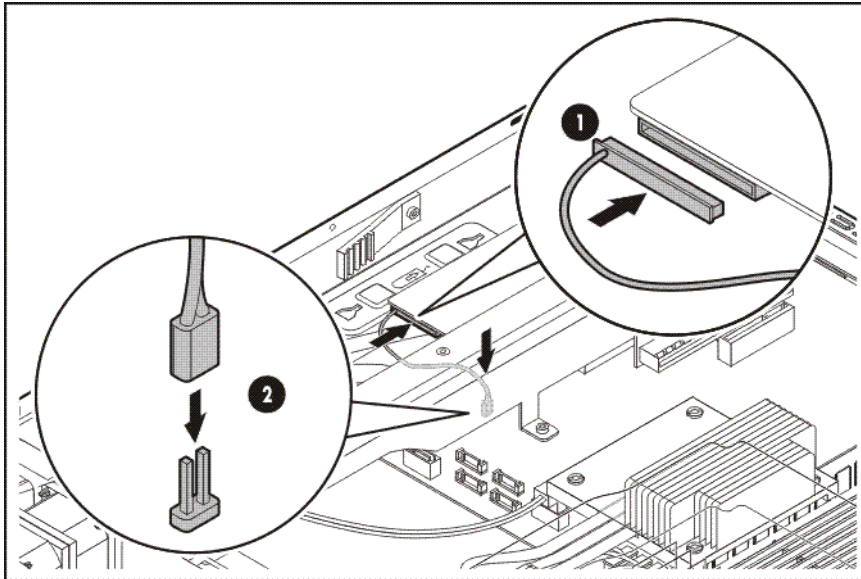
SAS hard drive LED cable option

The SAS hard drive LED cable provides LED functionality for SAS hard drives when an optional SAS controller and an optional SAS controller cable are installed.

To install the component:

1. Power down the server (on page 15).
2. Remove the server from the rack (on page 15).
3. Remove the access panel (on page 16).
4. Install the optional SAS controller ("[Expansion board option](#)" on page 34).

5. Connect the SAS hard drive LED cable to the system board and to the SAS controller.



6. Install the access panel.
7. Install the server into the rack.

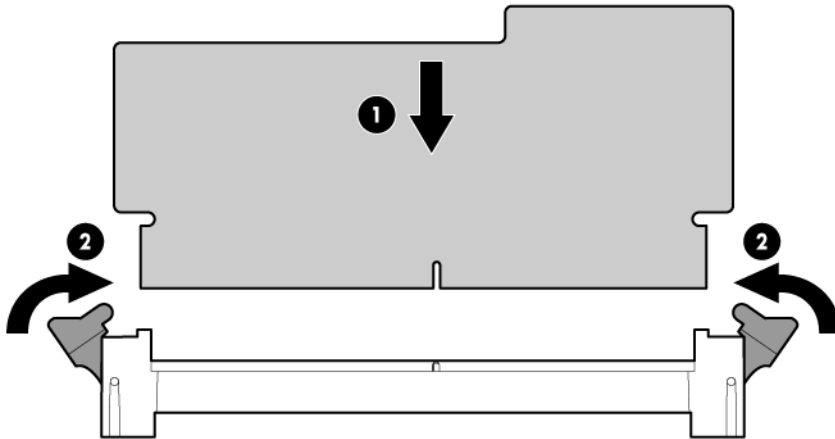
Battery-backed write cache battery pack option

- ⚠ **CAUTION:** To prevent a server malfunction or damage to the equipment, do not add or remove the battery pack while an array capacity expansion, RAID level migration, or stripe size migration is in progress.
- ⚠ **CAUTION:** After the server is powered down, wait 15 seconds and then check the amber LED before unplugging the cable from the cache module. If the amber LED blinks after 15 seconds, do not remove the cable from the cache module. The cache module is backing up data, and data is lost if the cable is detached.
- 📄 **IMPORTANT:** The battery pack might have a low charge when installed. In this case, a POST error message is displayed when the server is powered up, indicating that the battery pack is temporarily disabled. No action is necessary on your part. The internal circuitry automatically recharges the batteries and enables the battery pack. This process might take up to four hours. During this time, the cache module functions properly, but without the performance advantage of the battery pack.
- NOTE:** The data protection and the time limit also apply if a power outage occurs. When power is restored to the system, an initialization process writes the preserved data to the hard drives.

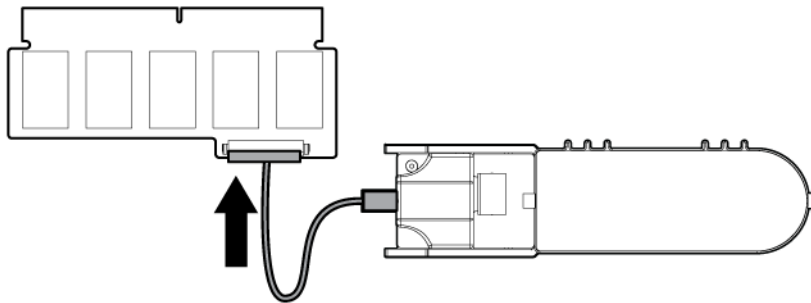
To install the component:

1. Power down the server (on page 15).
2. Remove the server from the rack (on page 15).
3. Remove the access panel (on page 16).
4. Install the storage controller, if not installed ("[Storage controller option](#)" on page 37).

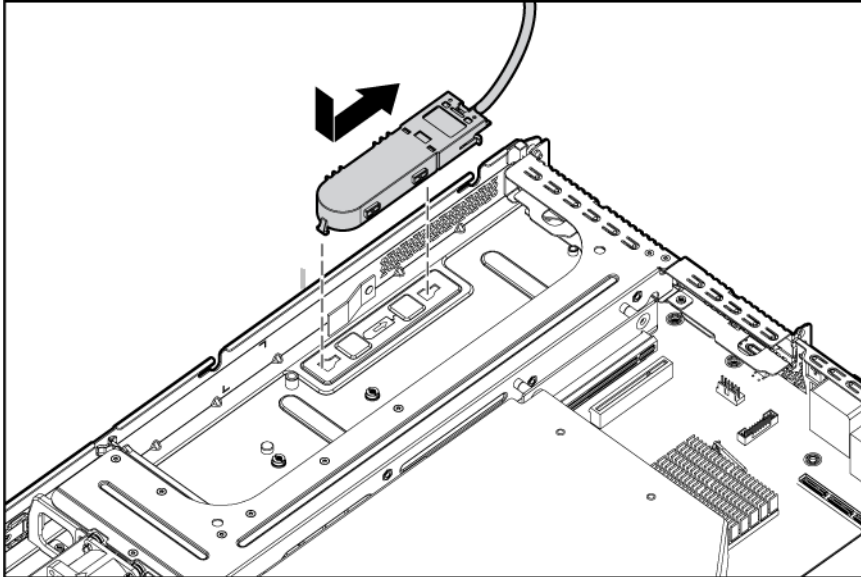
5. Install the cache module on the controller.



6. Connect the cable to the cache module.



7. Install the battery pack.



8. Route the cable.
9. Install the access panel.
10. Install the server into the rack.

Installing the FBWC module and capacitor pack

To install the component:

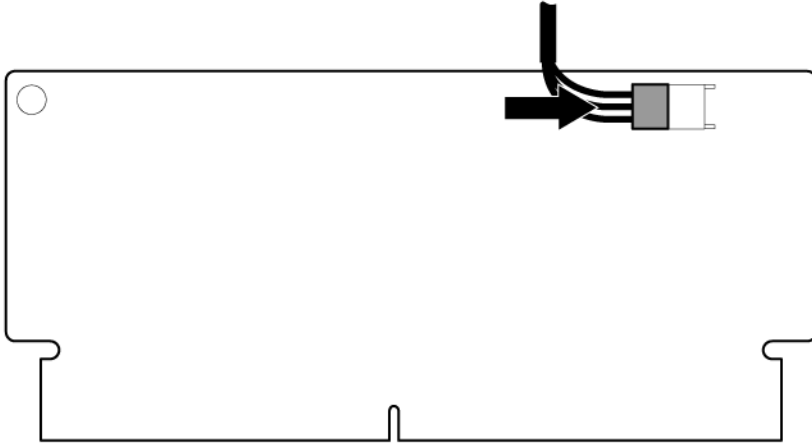
-
- △ **CAUTION:** Do not use this controller with cache modules designed for other controller models, because the controller can malfunction and you can lose data. Also, do not transfer this cache module to a different controller module, because you can lose data.
-

1. Back up all data.
2. Close all applications.
3. Power down the server (on page 15).

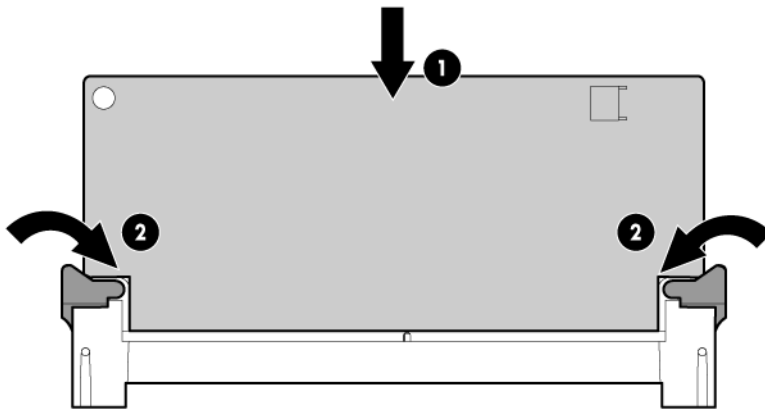
- △ **CAUTION:** In systems that use external data storage, be sure that the server is the first unit to be powered down and the last to be powered back up. Taking this precaution ensures that the system does not erroneously mark the drives as failed when the server is powered up.
-

4. Remove the server from the rack (on page 15).
5. Remove the access panel (on page 16).
6. Install the storage controller, if not installed ("[Storage controller option](#)" on page 37).

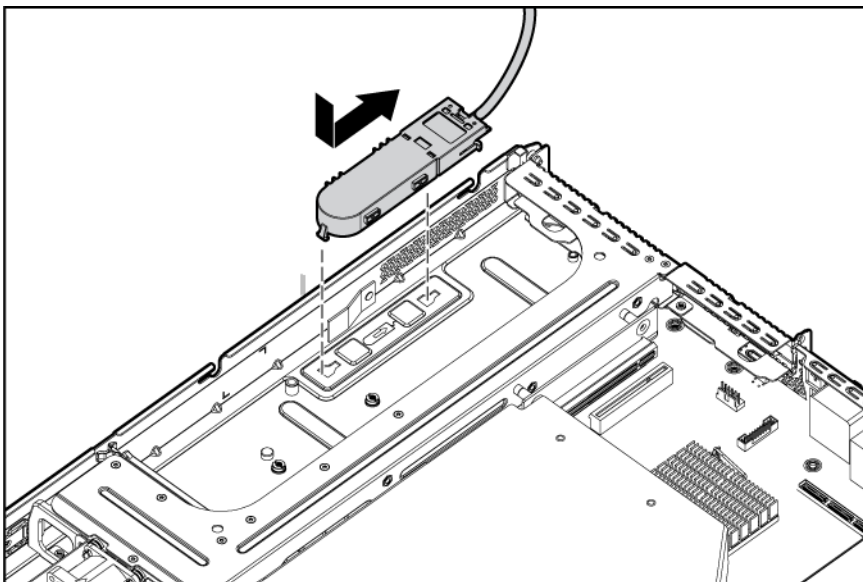
7. Connect the capacitor pack cable to the connector on the top of the cache module.



8. Install the cache module.



9. Install the capacitor pack.



10. Route the cable.

11. Install the access panel.
12. Install the server into the rack.
13. Power up the server (on page 15).

HP Trusted Platform Module option

Use these instructions to install and enable a TPM on a supported server. This procedure includes three sections:

1. Installing the Trusted Platform Module board (on page 42).
2. Retaining the recovery key/password (on page 44).
3. Enabling the Trusted Platform Module (on page 44).

TPM installation requires the use of drive encryption technology, such as the Microsoft® Windows® BitLocker™ Drive Encryption feature. For more information on BitLocker™, see the Microsoft website (<http://www.microsoft.com>).



CAUTION: Always observe the guidelines in this document. Failure to follow these guidelines can cause hardware damage or halt data access.

When installing or replacing a TPM, observe the following guidelines:

- Do not remove an installed TPM. Once installed, the TPM becomes a permanent part of the system board.
- When installing or replacing hardware, HP service providers cannot enable the TPM or the encryption technology. For security reasons, only the customer can enable these features.
- When returning a system board for service replacement, do not remove the TPM from the system board. When requested, HP Service provides a TPM with the spare system board.
- Any attempt to remove an installed TPM from the system board breaks or disfigures the TPM security rivet. Upon locating a broken or disfigured rivet on an installed TPM, administrators should consider the system compromised and take appropriate measures to ensure the integrity of the system data.
- When using BitLocker™, always retain the recovery key/password. The recovery key/password is required to enter Recovery Mode after BitLocker™ detects a possible compromise of system integrity.
- HP is not liable for blocked data access caused by improper TPM use. For operating instructions, see the encryption technology feature documentation provided by the operating system.

Installing the Trusted Platform Module board



WARNING: To reduce the risk of personal injury, electric shock, or damage to the equipment, remove the power cord to remove power from the server. The front panel Power On/Standby button does not completely shut off system power. Portions of the power supply and some internal circuitry remain active until AC power is removed.



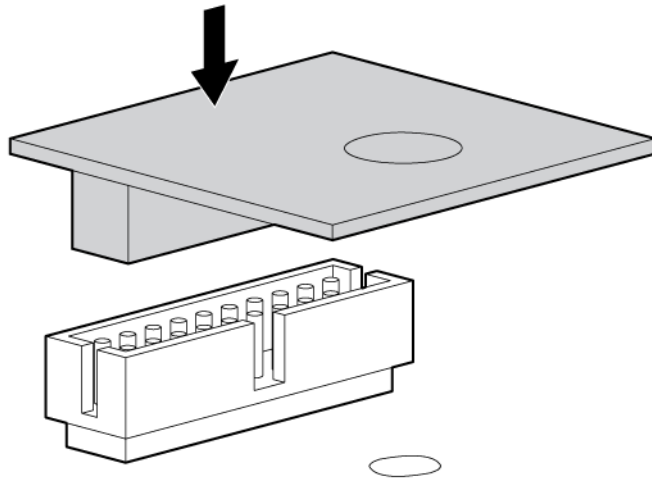
WARNING: To reduce the risk of personal injury from hot surfaces, allow the drives and the internal system components to cool before touching them.

1. Power down the server (on page 15).
2. Remove the server from the rack, if necessary ("[Remove the server from the rack](#)" on page 15).

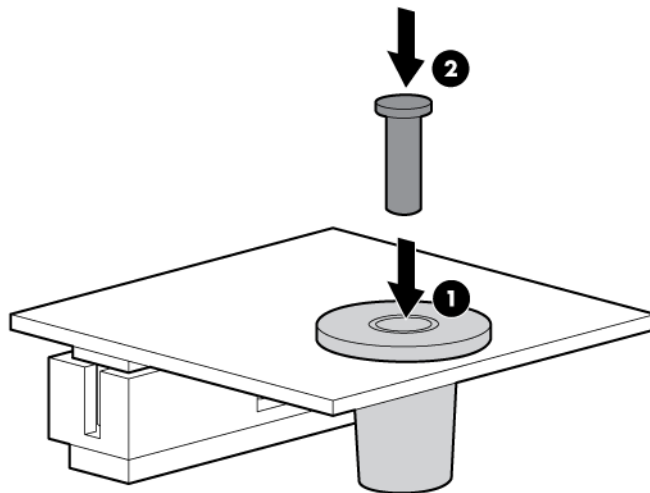
3. Place the server on a flat, level work surface.
4. Remove the access panel (on page 16).
5. Access the TPM connector. See the server-specific installation sheet.

CAUTION: Any attempt to remove an installed TPM from the system board breaks or disfigures the TPM security rivet. Upon locating a broken or disfigured rivet on an installed TPM, administrators should consider the system compromised and take appropriate measures to ensure the integrity of the system data.

6. Install the TPM board. Press down on the connector to seat the board ("[System board components](#)" on page 9).



7. Install the TPM security rivet by pressing the rivet firmly into the system board.



8. Install any components removed to access the TPM connector.
9. Install the access panel.
10. Install the server into the rack.
11. Power up the server (on page 15).

Retaining the recovery key/password

The recovery key/password is generated during BitLocker™ setup, and can be saved and printed after BitLocker™ is enabled. When using BitLocker™, always retain the recovery key/password. The recovery key/password is required to enter Recovery Mode after BitLocker™ detects a possible compromise of system integrity.

To help ensure maximum security, observe the following guidelines when retaining the recovery key/password:

- Always store the recovery key/password in multiple locations.
- Always store copies of the recovery key/password away from the server.
- Do not save the recovery key/password on the encrypted hard drive.

Enabling the Trusted Platform Module

Press the F10 key to access BIOS Setup. See the BIOS setup information for the specific procedure to enable the TPM on a ProLiant 100 Series server.



CAUTION: When a TPM is installed and enabled on the server, data access is locked if you fail to follow the proper procedures for updating the system or option firmware, replacing the system board, replacing a hard drive, or modifying OS application TPM settings.

For more information on firmware updates and hardware procedures, see the *HP Trusted Platform Module Best Practices White Paper* on the HP website (<http://www.hp.com/support>).

For more information on adjusting TPM usage in BitLocker™, see the Microsoft website (<http://technet.microsoft.com/en-us/windowsvista/aa905065.aspx>).

Cabling

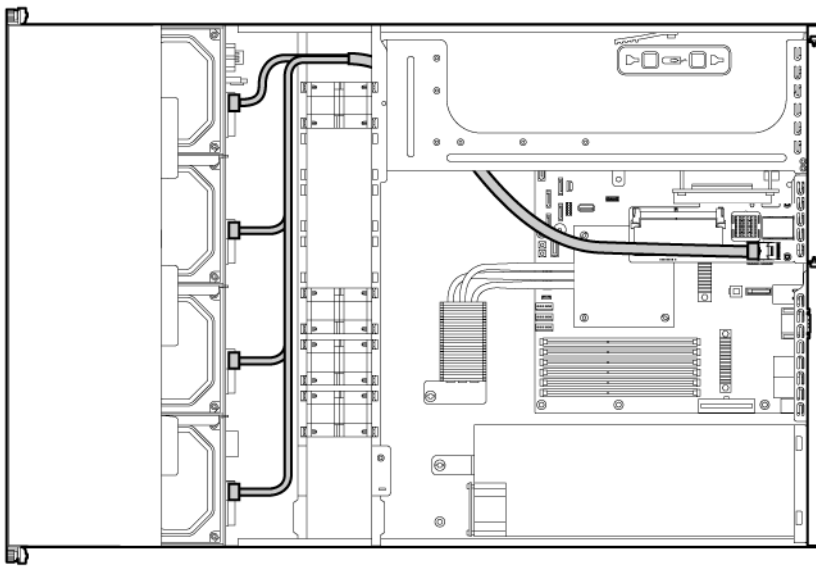
Cabling overview

This section provides guidelines that help you make informed decisions about cabling the server and hardware options to optimize performance.

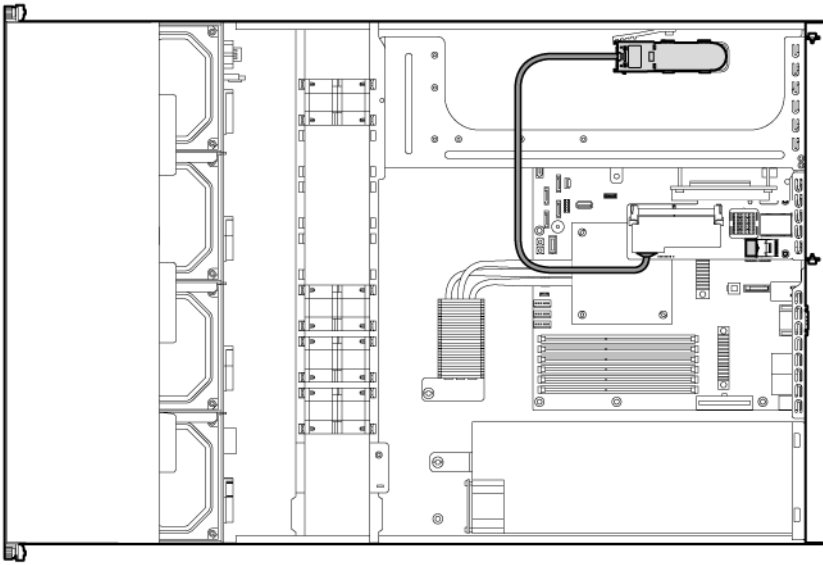
Server cabling

⚠ **CAUTION:** When routing cables, always be sure that the cables are not in a position where they can be pinched or air flow can be blocked.

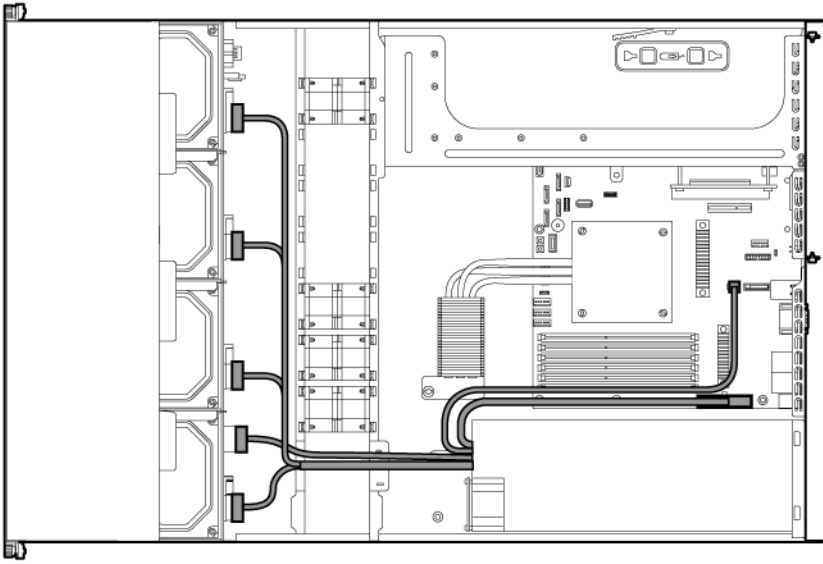
📌 **IMPORTANT:** Route the cables without blocking the airflow or other installed components. Use the cable clips installed in the chassis to manage cable routing.



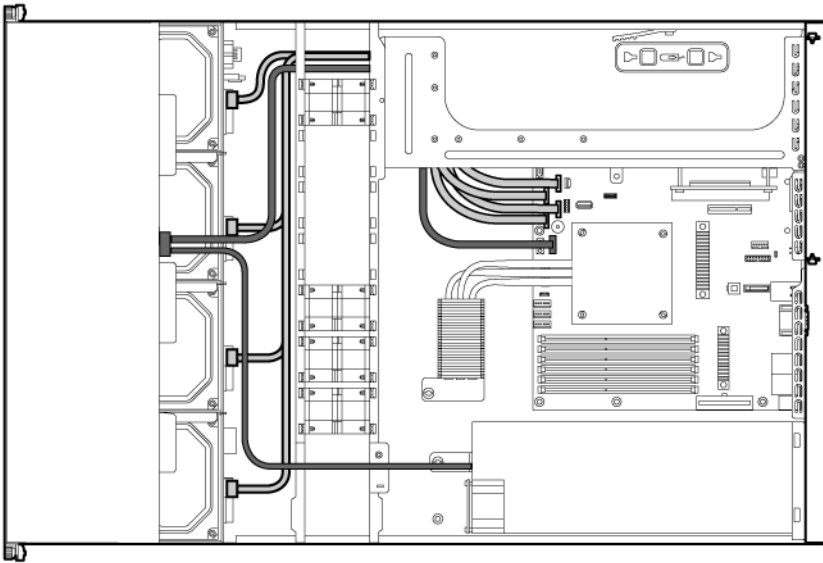
BBWC battery cabling to an optional controller



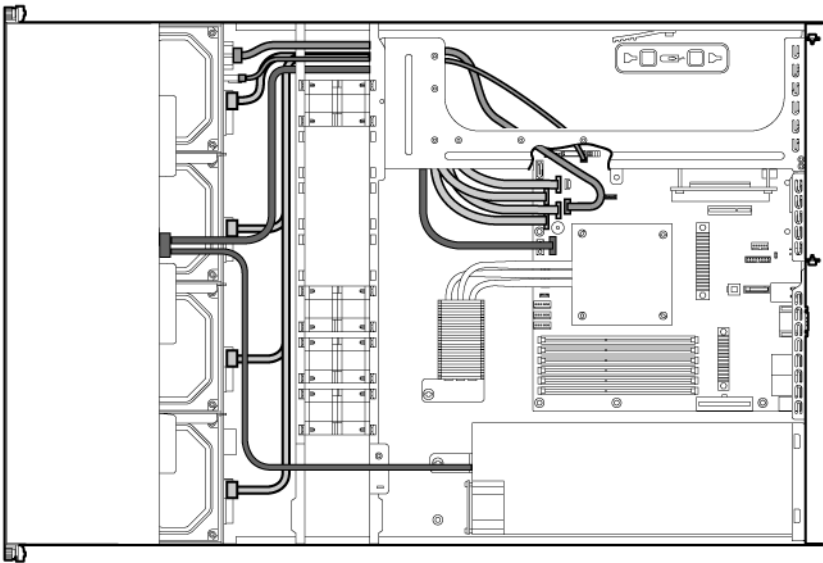
Power supply (500 W) cabling



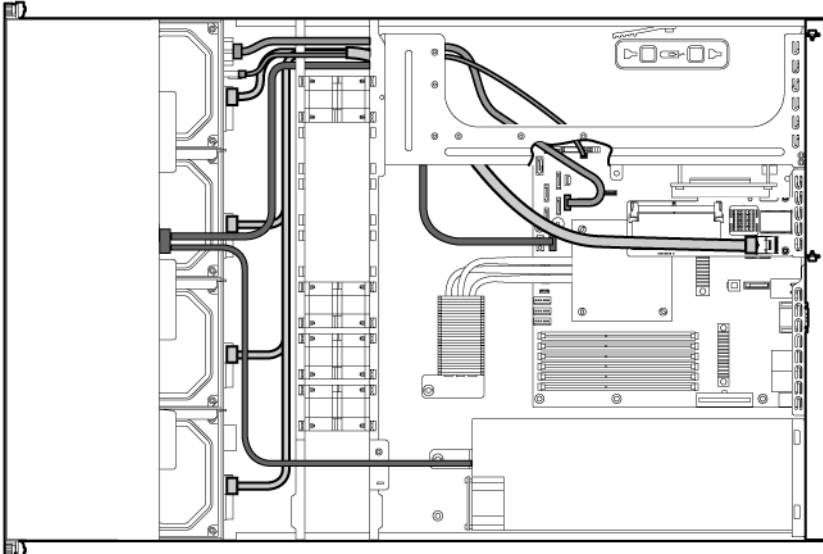
SATA cabling



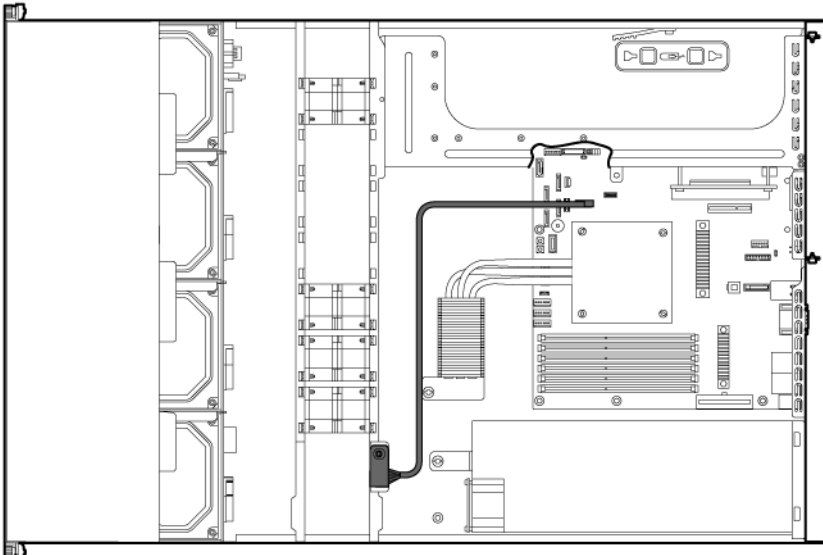
SATA cabling to the SGPIO connector and the 12C cable connector



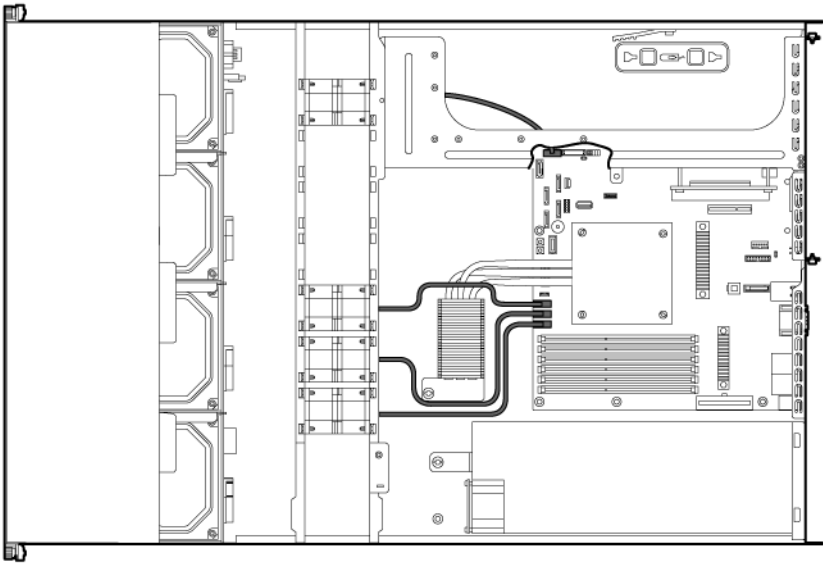
SAS cabling to the SGPIO connector and the 12C cable connector



Internal USB cabling



Fan cabling



Software and configuration utilities

BIOS Setup Utility

To use the BIOS Setup Utility, use the following keys:

- To access the BIOS Setup Utility, press the **F10** key during power-up when prompted.
- To navigate the menu system, use the arrow keys.
- To make selections, press the + or - key.
- To access Help for a highlighted configuration option, press the **F1** key.
- To save settings, select **Exit>Save Settings**.

Default configuration settings are applied to the server at one of the following times:

- Upon the first system power-up
- After defaults have been restored

Default configuration settings are sufficient for proper typical server operation, but configuration settings can be modified using BIOS Setup Utility. The system will prompt you for access to BIOS Setup Utility with each power-up.

Auto-configuration process



IMPORTANT: The **F8** key is available only when a supported storage controller is installed in the server.

The auto-configuration process automatically runs when you boot the server for the first time. During the power-up sequence, the system ROM automatically configures the entire system without requiring any intervention. During this process, the ORCA utility, in most cases, automatically configures the array to a default setting based on the number of drives connected to the server.

NOTE: The server may not support all the following examples.

NOTE: If the boot drive is not empty or has been written to in the past, ORCA does not automatically configure the array. You must run ORCA to configure the array settings.

Drives installed	Drives used	RAID level
1	1	RAID 0
2	2	RAID 1
3, 4, 5, or 6	3, 4, 5, or 6	RAID 5
More than 6	0	None

To change any ORCA default settings and override the auto-configuration process, press the **F8** key when prompted.

By default, the auto-configuration process configures the system for the English language. To change any default settings in the auto-configuration process (such as the settings for language, operating system, and primary boot controller), execute the BIOS Setup Utility (on page 50) by pressing the **F10** key during power-up when prompted. After the settings are selected, exit the BIOS Setup Utility and allow the server to reboot automatically.

BIOS Serial Console

BIOS Serial Console allows you to configure the serial port to view POST error messages and run BIOS Setup Utility remotely through a serial connection to the server COM port. The server that you are remotely configuring does not require a keyboard and mouse.

For more information about BIOS Serial Console, see the *BIOS Serial Console User Guide* on the Documentation CD or the HP website (<http://www.hp.com/support/smartstart/documentation>).

ROMPaq utility

The ROMPaq utility enables you to upgrade the system firmware (BIOS). To upgrade the firmware, insert a ROMPaq USB Key into an available USB port and boot the system. In addition to ROMPaq, Online Flash Components for Windows and Linux operating systems are available for updating the system firmware.

The ROMPaq utility checks the system and provides a choice (if more than one exists) of available firmware revisions.

For more information, see the Download drivers and software page for the server. To access the server-specific page, enter the following web address into the browser:

`http://www.hp.com/support/<servername>`

For example:

`http://www.hp.com/support/dl360g6`

LO100i Remote Management

The server supports LO100i Remote Management functionality. For more information, see the server-specific information on the HP website (<http://www.hp.com/servers/proliant>).

HP Insight Diagnostics

The HP Insight Diagnostics utility displays information about the server hardware and tests the system to be sure it is operating properly. The utility has online help and can be accessed using the Insight Diagnostics CD or at the HP website (<http://www.hp.com/support>).

HP ROM-Based Setup Utility

RBSU is a configuration utility embedded in ProLiant servers that performs a wide range of configuration activities that can include the following:

- Configuring system devices and installed options
- Enabling and disabling system features
- Displaying system information
- Selecting the primary boot controller
- Configuring memory options
- Language selection

For more information on RBSU, see the *HP ROM-Based Setup Utility User Guide* on the Documentation CD or the HP website (<http://www.hp.com/support/smartstart/documentation>).

Re-entering the server serial number and product ID

After you replace the system board, you must re-enter the server serial number and the product ID.

1. During the server startup sequence, press the **F9** key to access RBSU.
2. Select the **Advanced Options** menu.
3. Select **Service Options**.
4. Select **Serial Number**. The following warnings appear:
WARNING! WARNING! WARNING! The serial number is loaded into the system during the manufacturing process and should NOT be modified. This option should only be used by qualified service personnel. This value should always match the serial number sticker located on the chassis.
Warning: The serial number should ONLY be modified by qualified personnel. This value should always match the serial number located on the chassis.
5. Press the **Enter** key to clear the warning.
6. Enter the serial number and press the **Enter** key.
7. Select **Product ID**. The following warning appears:
Warning: The Product ID should ONLY be modified by qualified personnel. This value should always match the Product ID on the chassis.
8. Enter the product ID and press the **Enter** key.
9. Press the **Esc** key to close the menu.
10. Press the **Esc** key to exit RBSU.
11. Press the **F10** key to confirm exiting RBSU. The server automatically reboots.

Keeping the system current

Drivers

HP drivers and utilities can be found on the Easy Set-up CD. For the latest drivers and information on supported operating systems, refer to the HP website (<http://www.hp.com/support>).



IMPORTANT: Always perform a backup before installing or updating device drivers.

Firmware

To update the server firmware (BIOS or BMC), use the ROMPaq utility (on page 51).

Subscriber's choice

HP's Subscriber's Choice is a customizable subscription sign-up service that customers use to receive personalized email product tips, feature articles, driver and support alerts, or other notifications.

To create a profile and select notifications, refer to the HP website (<http://www.hp.com/go/subscriberschoice>).

Change control and proactive notification

HP offers Change Control and Proactive Notification to notify customers 30 to 60 days in advance of upcoming hardware and software changes on HP commercial products.

For more information, refer to the HP website (<http://www.hp.com/go/pcn>).

Troubleshooting

Common problem resolution

Loose connections (on page 54)

Service notifications (on page 54)

Firmware updates (on page 54)

DIMM handling guidelines (on page 55)

SAS and SATA hard drive guidelines (on page 55)

Loose connections

Action:

- Be sure all power cords are securely connected.
- Be sure all cables are properly aligned and securely connected for all external and internal components.
- Remove and check all data and power cables for damage. Be sure no cables have bent pins or damaged connectors.
- If a fixed cable tray is available for the server, be sure the cords and cables connected to the server are routed correctly through the tray.
- Be sure each device is properly seated. Avoid bending or flexing circuit boards when reseating components.
- If a device has latches, be sure they are completely closed and locked.
- Check any interlock or interconnect LEDs that may indicate a component is not connected properly.
- If problems continue to occur, remove and reinstall each device, checking the connectors and sockets for bent pins or other damage.

Service notifications

To view the latest service notifications, refer to the HP website (<http://www.hp.com/go/bizsupport>). Select the appropriate server model, and then click the **Troubleshoot a Problem** link on the product page.

Firmware updates

Download firmware updates from the following locations:

- The HP Smart Components available on the HP ProLiant Firmware Maintenance CD and the HP website (<http://www.hp.com/support>)
- The most recent version of a particular server or option firmware from the HP website (<http://www.hp.com/support>)

- Components for option firmware updates available from the HP website (<http://www.hp.com/support>)

HP offers a subscription service that can provide notification of firmware updates. For more information, see "Subscriber's Choice (on page 53)."

For detailed information on updating firmware, see "Firmware maintenance (on page 88)."

DIMM handling guidelines



CAUTION: Failure to properly handle DIMMs can cause damage to DIMM components and the system board connector.

When handling a DIMM, observe the following guidelines:

- Avoid electrostatic discharge (on page 100).
- Always hold DIMMs by the side edges only.
- Avoid touching the connectors on the bottom of the DIMM.
- Never wrap your fingers around a DIMM.
- Avoid touching the components on the sides of the DIMM.
- Never bend or flex the DIMM.

When installing a DIMM, observe the following guidelines:

- Before seating the DIMM, align the DIMM with the slot.
- To align and seat the DIMM, use two fingers to hold the DIMM along the side edges.
- To seat the DIMM, use two fingers to apply gentle pressure along the top of the DIMM.

For more information, see the HP website

(http://h20000.www2.hp.com/bizsupport/TechSupport/Document.jsp?lang=en&cc=us&objectID=c00868283&jumpid=reg_R1002_USEN).

SAS and SATA hard drive guidelines

When adding hard drives to the server, observe the following general guidelines:

- The system automatically sets all drive numbers.
- If only one hard drive is used, install it in the bay with the lowest drive number.
- Drives must be the same capacity to provide the greatest storage space efficiency when drives are grouped together into the same drive array.

NOTE: ACU does not support mixing SAS and SATA drives in the same logical volume.

Problem diagnosis

This section covers the steps to take in order to diagnose a problem quickly.

To effectively troubleshoot a problem, HP recommends that you start with the first flowchart in this section, "Start diagnosis flowchart (on page 59)," and follow the appropriate diagnostic path. If the other

flowcharts do not provide a troubleshooting solution, follow the diagnostic steps in "General diagnosis flowchart (on page 60)." The General diagnosis flowchart is a generic troubleshooting process to be used when the problem is not server-specific or is not easily categorized into the other flowcharts.



IMPORTANT: This guide provides information for multiple servers. Some information may not apply to the server you are troubleshooting. Refer to the server documentation for information on procedures, hardware options, software tools, and operating systems supported by the server.



WARNING: To avoid potential problems, ALWAYS read the warnings and cautionary information in the server documentation before removing, replacing, reseating, or modifying system components.

Important safety information

Familiarize yourself with the safety information in the following sections before troubleshooting the server.



Important safety information

Before servicing this product, read the *Important Safety Information* document provided with the server.

Symbols on equipment

The following symbols may be placed on equipment to indicate the presence of potentially hazardous conditions.



This symbol indicates the presence of hazardous energy circuits or electric shock hazards. Refer all servicing to qualified personnel.

WARNING: To reduce the risk of injury from electric shock hazards, do not open this enclosure. Refer all maintenance, upgrades, and servicing to qualified personnel.



This symbol indicates the presence of electric shock hazards. The area contains no user or field serviceable parts. Do not open for any reason.

WARNING: To reduce the risk of injury from electric shock hazards, do not open this enclosure.



This symbol on an RJ-45 receptacle indicates a network interface connection.

WARNING: To reduce the risk of electric shock, fire, or damage to the equipment, do not plug telephone or telecommunications connectors into this receptacle.



This symbol indicates the presence of a hot surface or hot component. If this surface is contacted, the potential for injury exists.

WARNING: To reduce the risk of injury from a hot component, allow the surface to cool before touching.



49-109 kg
100-240 lb

This symbol indicates that the component exceeds the recommended weight for one individual to handle safely.

WARNING: To reduce the risk of personal injury or damage to the equipment, observe local occupational health and safety requirements and guidelines for manual material handling.



These symbols, on power supplies or systems, indicate that the equipment is supplied by multiple sources of power.

WARNING: To reduce the risk of injury from electric shock, remove all power cords to completely disconnect power from the system.

Warnings and cautions



WARNING: Only authorized technicians trained by HP should attempt to repair this equipment. All troubleshooting and repair procedures are detailed to allow only subassembly/module-level repair. Because of the complexity of the individual boards and subassemblies, no one should attempt to make repairs at the component level or to make modifications to any printed wiring board. Improper repairs can create a safety hazard.



WARNING: To reduce the risk of personal injury or damage to the equipment, be sure that:

- The leveling feet are extended to the floor.
 - The full weight of the rack rests on the leveling feet.
 - The stabilizing feet are attached to the rack if it is a single-rack installation.
 - The racks are coupled together in multiple-rack installations.
 - Only one component is extended at a time. A rack may become unstable if more than one component is extended for any reason.
-



WARNING: To reduce the risk of electric shock or damage to the equipment:

- Do not disable the power cord grounding plug. The grounding plug is an important safety feature.
 - Plug the power cord into a grounded (earthed) electrical outlet that is easily accessible at all times.
 - Unplug the power cord from the power supply to disconnect power to the equipment.
 - Do not route the power cord where it can be walked on or pinched by items placed against it. Pay particular attention to the plug, electrical outlet, and the point where the cord extends from the server.
-



49-109 kg
100-240 lb

WARNING: To reduce the risk of personal injury or damage to the equipment:

- Observe local occupation health and safety requirements and guidelines for manual handling.
 - Obtain adequate assistance to lift and stabilize the chassis during installation or removal.
 - The server is unstable when not fastened to the rails.
 - When mounting the server in a rack, remove the power supplies and any other removable module to reduce the overall weight of the product.
-



CAUTION: To properly ventilate the system, you must provide at least 7.6 cm (3.0 in) of clearance at the front and back of the server.



CAUTION: The server is designed to be electrically grounded (earthed). To ensure proper operation, plug the AC power cord into a properly grounded AC outlet only.

Preparing the server for diagnosis

1. Be sure the server is in the proper operating environment with adequate power, air conditioning, and humidity control. Refer to the server documentation for required environmental conditions.
 2. Record any error messages displayed by the system.
 3. Remove all diskettes and CDs from the media drives.
 4. Power down the server and peripheral devices if you will be diagnosing the server offline. Always perform an orderly shutdown, if possible. This means you must:
 - a. Exit any applications.
 - b. Exit the operating system.
 - c. Power down the server (on page 15).
 5. Disconnect any peripheral devices not required for testing (any devices not necessary to power up the server). Do not disconnect the printer if you want to use it to print error messages.
 6. Collect all tools and utilities, such as a Torx screwdriver, loopback adapters, ESD wrist strap, and software utilities, necessary to troubleshoot the problem.
- HP recommends you have access to the server documentation for server-specific information.

Symptom information

Before troubleshooting a server problem, collect the following information:

- What events preceded the failure? After which steps does the problem occur?
- What has been changed since the time the server was working?
- Did you recently add or remove hardware or software? If so, did you remember to change the appropriate settings in the server setup utility, if necessary?
- How long has the server exhibited problem symptoms?
- If the problem occurs randomly, what is the duration or frequency?

To answer these questions, the following information may be useful:

- Run HP Insight Diagnostics (on page 51) and use the survey page to view the current configuration or to compare it to previous configurations.
- Refer to your hardware and software records for information.
- Refer to server LEDs and their statuses.

Diagnostic steps

To effectively troubleshoot a problem, HP recommends that you start with the first flowchart in this section, "Start diagnosis flowchart (on page 59)," and follow the appropriate diagnostic path. If the other flowcharts do not provide a troubleshooting solution, follow the diagnostic steps in "General diagnosis flowchart (on page 60)." The General diagnosis flowchart is a generic troubleshooting process to be used when the problem is not server-specific or is not easily categorized into the other flowcharts.

The available flowcharts include:

- Start diagnosis flowchart (on page 59)
- General diagnosis flowchart (on page 60)

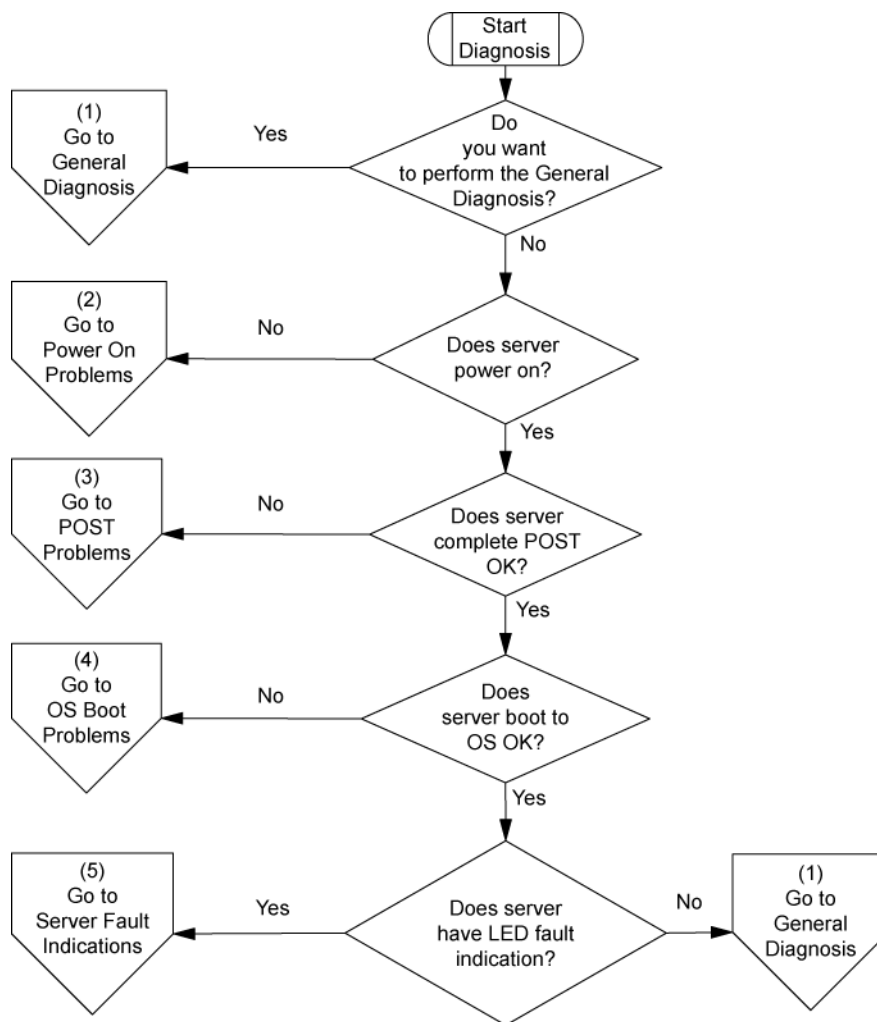
- Power-on problems flowchart (on page 61)
- POST problems flowchart (on page 63)
- OS boot problems flowchart (on page 65)
- Server fault indications flowchart (on page 66)

The number contained in parentheses in the flowchart boxes corresponds to a table with references to other detailed documents or troubleshooting instructions.

Start diagnosis flowchart

Use the following flowchart and table to start the diagnostic process.

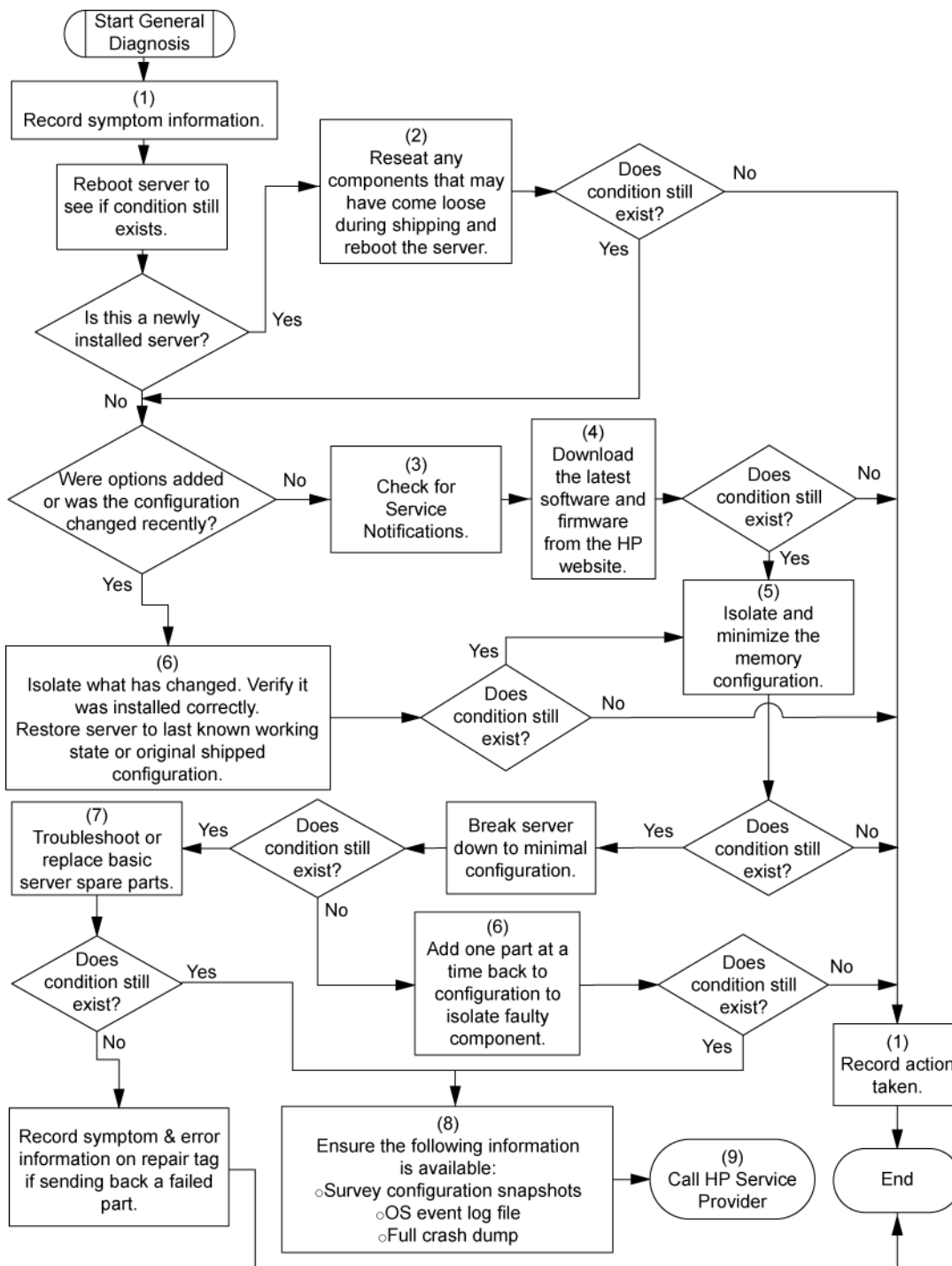
Item	See
1	"General diagnosis flowchart (on page 60)"
2	"Power-on problems flowchart (on page 61)"
3	"POST problems flowchart (on page 63)"
4	"OS boot problems flowchart (on page 65)"
5	"Server fault indications flowchart (on page 66)"



General diagnosis flowchart

The General Diagnosis flowchart provides a generic approach to troubleshooting. If you are unsure of the problem, or if the other flowcharts do not correct the problem, use the following flowchart.

Item	See
1	"Symptom information (on page 58)"
2	"Loose connections (on page 54)"
3	"Service notifications (on page 54)"
4	The most recent version of a particular server or option firmware is available on the HP website (http://www.hp.com/support).
5	"General memory problems are occurring (on page 77)"
6	<ul style="list-style-type: none">• Server maintenance and service guide, located on the Easy Set-up CD or the HP website (http://www.hp.com/products/servers/platforms)• "Hardware problems (on page 68)"• Server maintenance and service guide, located on the Easy Set-up CD or the HP website (http://www.hp.com/products/servers/platforms)
7	<ul style="list-style-type: none">• Server maintenance and service guide, located on the Easy Set-up CD or the HP website (http://www.hp.com/products/servers/platforms)• "Hardware problems (on page 68)"
8	<ul style="list-style-type: none">• "Server information you need (on page 90)"• "Operating system information you need (on page 91)"
9	"HP contact information (on page 101)"



Power-on problems flowchart

Symptoms:

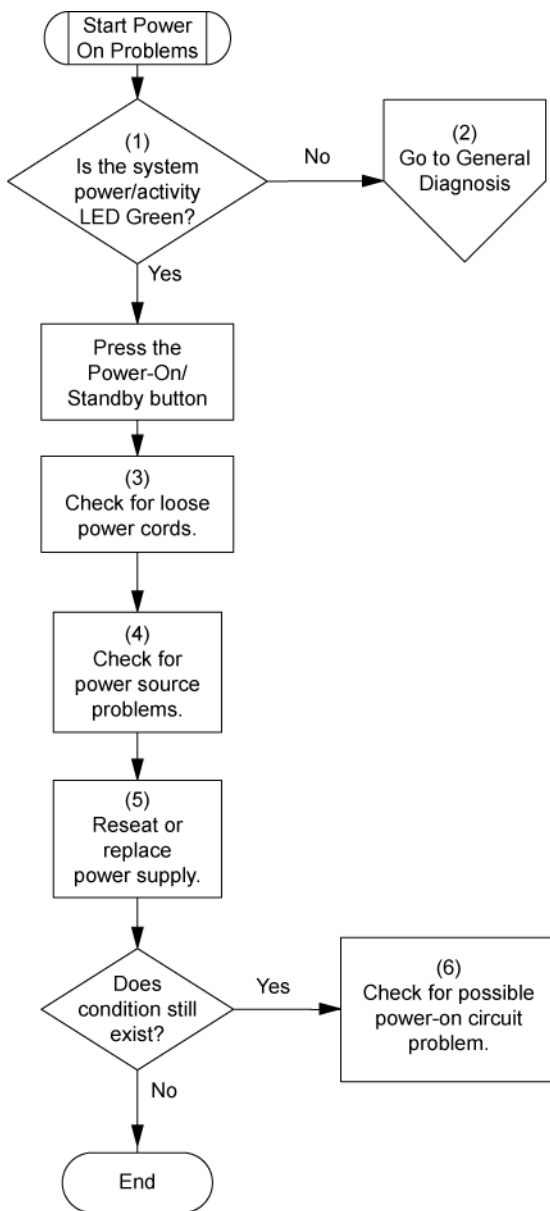
- The server does not power on.
- The system power LED is off or amber.

NOTE: For the location of server LEDs and information on their statuses, refer to the server documentation.

Possible causes:

- Improperly seated or faulty power supply
- Loose or faulty power cord
- Power source problem
- Power on circuit problem
- Improperly seated component or interlock problem
- Faulty internal component

Item	See
1	Server maintenance and service guide, located on the Easy Set-up CD or the HP website (http://www.hp.com/products/servers/platforms)
2	"General diagnosis flowchart (on page 60)"
3	"Loose connections (on page 54)"
4	"Power source problems (on page 69)"
5	<ul style="list-style-type: none">• "Power supply problems (on page 69)"• Server maintenance and service guide, located on the Easy Set-up CD or the HP website (http://www.hp.com/products/servers/platforms)
6	"System open circuits and short circuits (on page 79)"



POST problems flowchart

Symptoms:

- Server does not complete POST

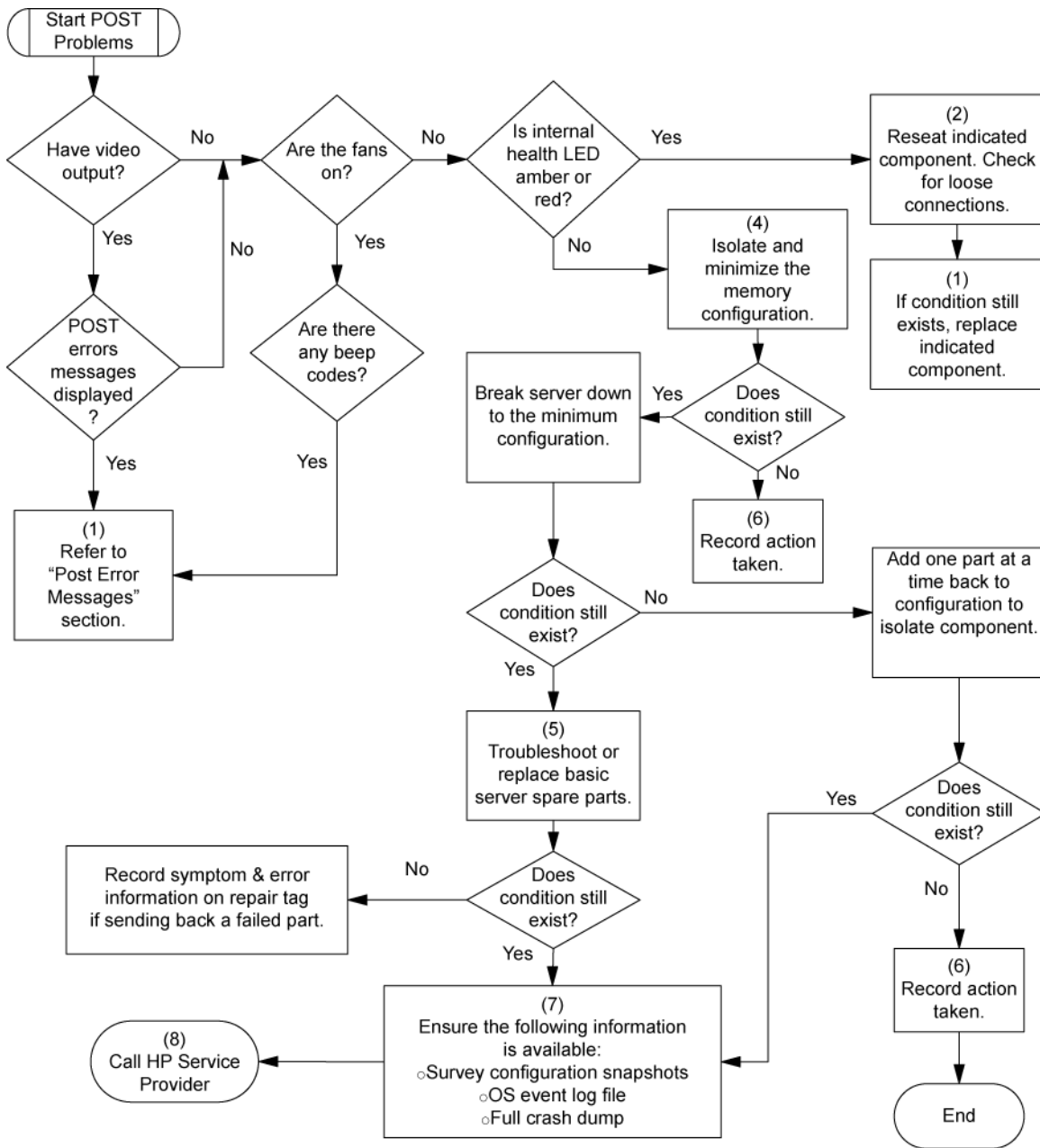
NOTE: The server has completed POST when the system attempts to access the boot device.

- Server completes POST with errors

Possible problems:

- Improperly seated or faulty internal component
- Faulty KVM device
- Faulty video device

Item	See
1	Server maintenance and service guide, located on the Easy Set-up CD or the HP website (http://www.hp.com/products/servers/platforms)
2	"Loose connections (on page 54)"
3	"General memory problems are occurring (on page 77)"
4	<ul style="list-style-type: none"> • "Hardware problems (on page 68)" • Server maintenance and service guide, located on the Easy Set-up CD or the HP website (http://www.hp.com/products/servers/platforms)
5	"Symptom information (on page 58)"
6	<ul style="list-style-type: none"> • "Server information you need (on page 90)" • "Operating system information you need (on page 91)"
7	"HP contact information (on page 101)"



OS boot problems flowchart

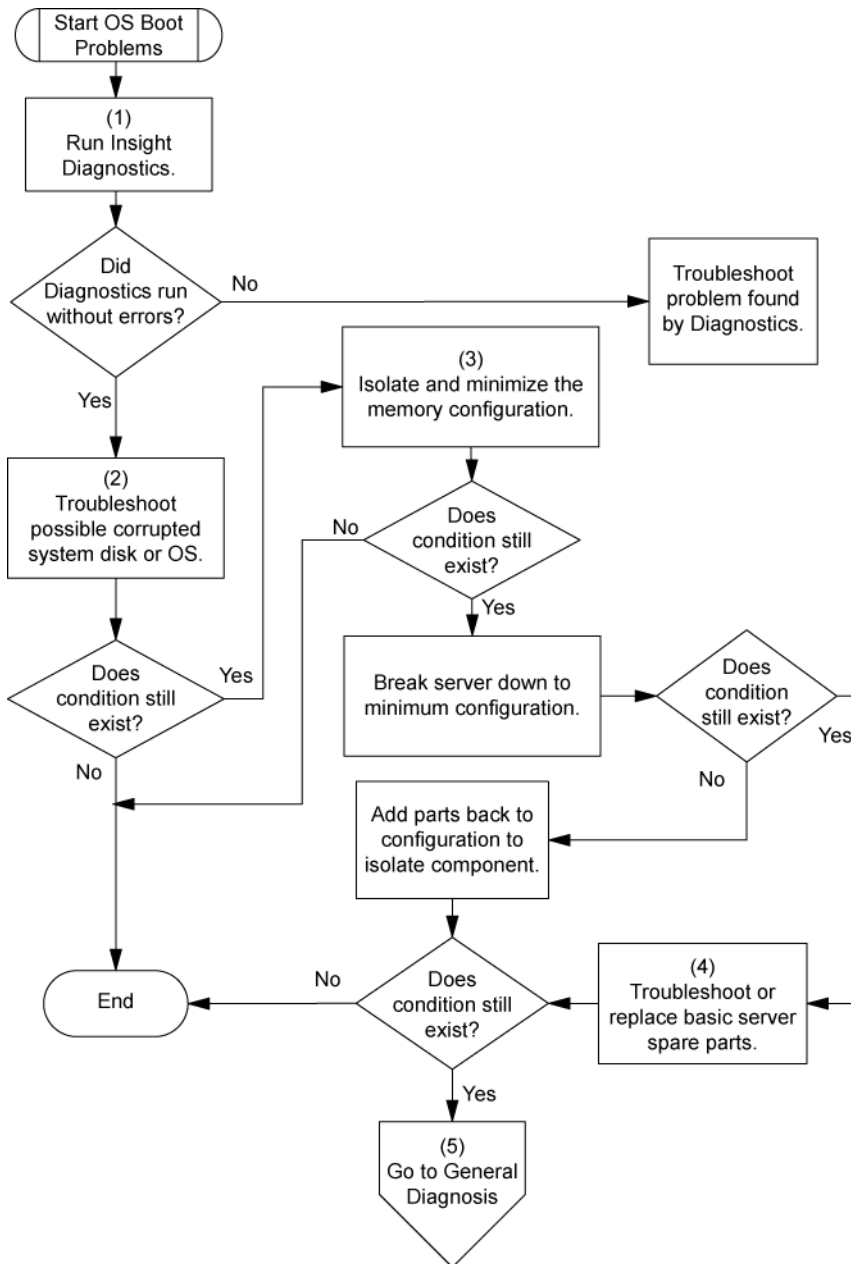
Symptom: Server does not boot a previously installed operating system.

Possible causes:

- Corrupted operating system
- Hard drive subsystem problem

Item	See
1	"HP Insight Diagnostics (on page 51)"
2	<ul style="list-style-type: none"> • "Operating system problems (on page 86)" • "HP contact information (on page 101)"

Item	See
3	"General memory problems are occurring (on page 77)"
4	<ul style="list-style-type: none"> "Hardware problems (on page 68)" Server maintenance and service guide, located on the Easy Set-up CD or the HP website (http://www.hp.com/products/servers/platforms)
5	"General diagnosis flowchart (on page 60)"



Server fault indications flowchart

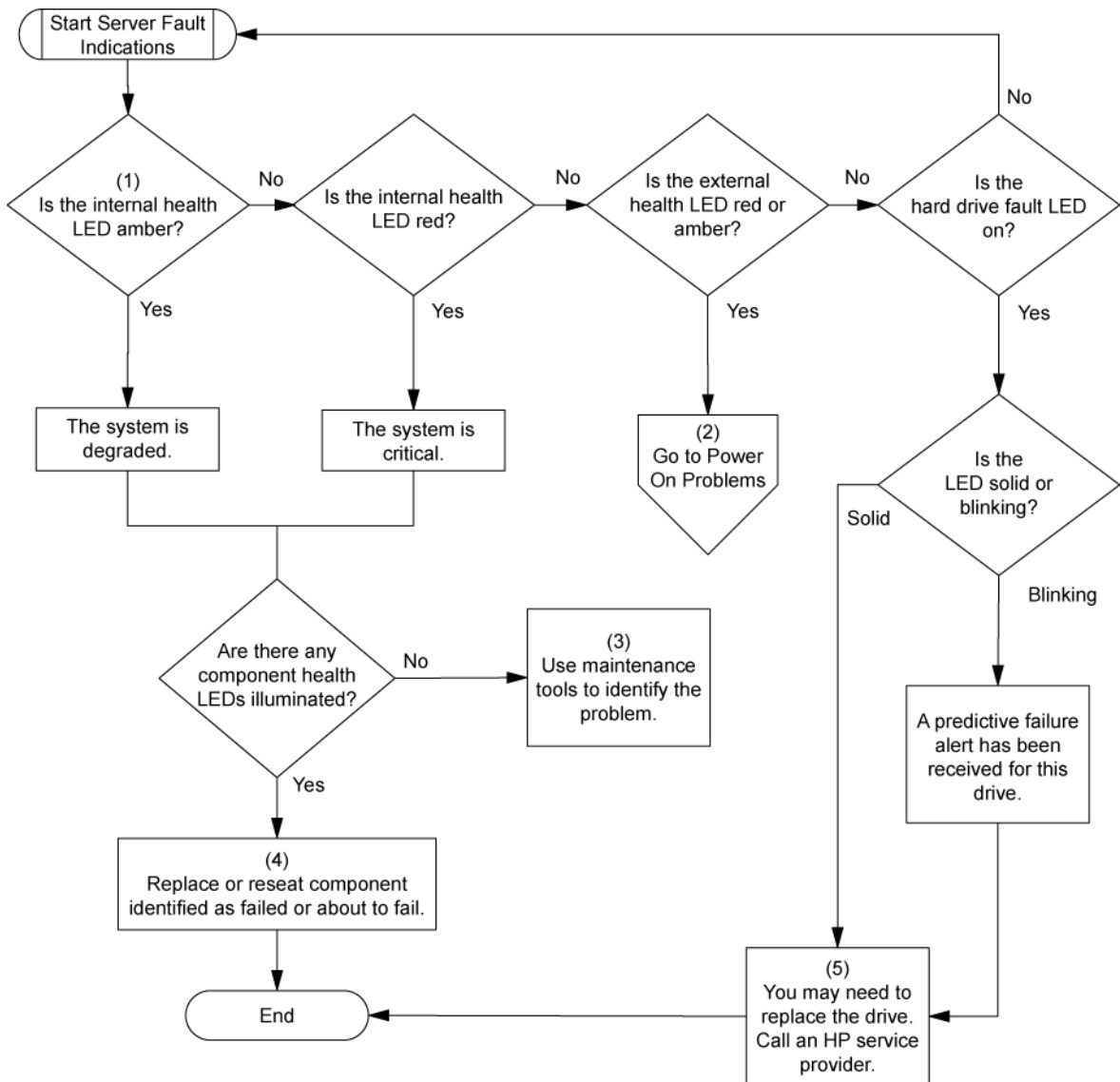
Symptom: Server boots, but the internal health LED or external health LED is red or amber.

NOTE: For the location of server LEDs and information on their statuses, refer to the server documentation.

Possible causes:

- Improperly seated or faulty internal or external component
- Unsupported component installed
- Redundancy failure
- System overtemperature condition

Item	See
1	Server maintenance and service guide, located on the Easy Set-up CD or the HP website (http://www.hp.com/products/servers/platforms)
2	"Power-on problems flowchart (on page 61)"
3	"HP Insight Diagnostics (on page 51)"
4	<ul style="list-style-type: none">• "Hardware problems (on page 68)"• Server maintenance and service guide, located on the Easy Set-up CD or the HP website (http://www.hp.com/products/servers/platforms)
5	"HP contact information (on page 101)"



Hardware problems

The procedures in this section are comprehensive and include steps about or references to hardware features that may not be supported by the server you are troubleshooting.

Power problems (on page [68](#))

General hardware problems (on page [71](#))

Internal system problems (on page [72](#))

External device problems (on page [80](#))

System open circuits and short circuits (on page [79](#))

Power problems

Power source problems (on page [69](#))

Power supply problems (on page 69)

UPS problems (on page 69)

Power source problems

Action:

1. Press the Power On/Standby button to be sure it is on. If the server has a Power On/Standby button that returns to its original position after being pressed, be sure you press the switch firmly.
2. Plug another device into the grounded power outlet to be sure the outlet works. Also, be sure the power source meets applicable standards.
3. Replace the power cord with a known functional power cord to be sure it is not faulty.
4. Replace the power strip with a known functional power strip to be sure it is not faulty.
5. Have a qualified electrician check the line voltage to be sure it meets the required specifications.
6. Be sure the proper circuit breaker is in the On position.
7. If group power capping is supported on the server, be sure there is sufficient power allocation to support the server.
8. Be sure no loose connections exist ("[Loose connections](#)" on page 54).

Power supply problems

Action:

1. Be sure no loose connections (on page 54) exist.
2. If the power supplies have LEDs, be sure they indicate that each power supply is working properly. Refer to the server documentation. If LEDs indicate a problem with a power supply, replace the power supply.
3. Be sure the system has enough power, particularly if you recently added hardware, such as hard drives. Additional power supplies may be required. Use the server documentation for product-specific information.

UPS problems

UPS is not working properly

Action:

1. Be sure the UPS batteries are charged to the proper level for operation. See the UPS documentation for details.
2. Be sure the UPS power switch is in the On position. See the UPS documentation for the location of the switch.
3. Be sure the UPS software is updated to the latest version. Use the Power Management software located on the Power Management CD.
4. Be sure the power cord is the correct type for the UPS and the country in which the server is located. See the UPS reference guide for specifications.
5. Be sure the line cord is connected.
6. Be sure each circuit breaker is in the On position, or replace the fuse if needed. If this occurs repeatedly, contact an authorized service provider.

7. Check the UPS LEDs to be sure a battery or site wiring problem has not occurred. See the UPS documentation.
8. If the UPS sleep mode is initiated, disable sleep mode for proper operation. The UPS sleep mode can be turned off through the configuration mode on the front panel.
9. Change the battery to be sure damage was not caused by excessive heat, particularly if a recent air conditioning outage has occurred.

NOTE: The optimal operating temperature for UPS batteries is 25°C (77°F). For approximately every 8°C to 10°C (16°F to 18°F) average increase in ambient temperature above the optimal temperature, battery life is reduced by 50 percent.

Low battery warning is displayed

Action:

1. Plug the UPS into an AC grounded outlet for at least 24 hours to charge the batteries, and then test the batteries. Replace the batteries if necessary.
2. Be sure the alarm is set appropriately by changing the amount of time given before a low battery warning. Refer to the UPS documentation for instructions.

One or more LEDs on the UPS is red

Action: Refer to the UPS documentation for instructions regarding the specific LED to determine the cause of the error.

Unknown problem

Action:

1. Disconnect power to the server.
2. Following the guidelines and cautionary information in the server documentation, strip the server to its most basic configuration by removing every card or device that is not necessary to start the server. Keep the monitor connected to view the server startup process.
3. Reconnect power, and then power the system on.
 - o If the video does not work, refer to "Video problems (on page 80)."



CAUTION: Only authorized technicians trained by HP should attempt to remove the system board. If you believe the system board requires replacement, contact HP Technical Support ("[HP contact information](#)" on page 101) before proceeding.

- o If the system fails in this minimum configuration, one of the primary components has failed. If you have already verified that the processor, PPM, power supply, and memory are working before getting to this point, replace the system board. If not, be sure each of those components is working.
- o If the system boots and video is working, add each component back to the server one at a time, restarting the server after each component is added to determine if that component is the cause of the problem. When adding each component back to the server, be sure to disconnect power to the server and follow the guidelines and cautionary information in the server documentation.

General hardware problems

Problems with new hardware (on page 71)

Unknown problem (on page 70)

Third-party device problems (on page 72)

Testing the device (on page 72)

Problems with new hardware

Action:

1. Refer to the server documentation to be sure the hardware being installed is a supported option on the server. Remove unsupported hardware.
2. Refer to the release notes included with the hardware to be sure the problem is not caused by a last minute change to the hardware release. If no documentation is available, refer to the HP support website (<http://www.hp.com/support>).
3. Be sure the new hardware is installed properly. Refer to the device, server, and operating system documentation to be sure all requirements are met.

Common problems include:

- o Incomplete population of a memory bank
 - o Installation of a processor without a corresponding PPM
 - o Installation of a SCSI device without termination or without proper ID settings
 - o Setting of an IDE device to Primary/Secondary when the other device is set to CS
 - o Connection of the data cable, but not the power cable, of a new device
4. Be sure no memory, I/O, or interrupt conflicts exist.
 5. Be sure no loose connections (on page 54) exist.
 6. Be sure all cables are connected to the correct locations and are the correct lengths. For more information, refer to the server documentation.
 7. Be sure other components were not unseated accidentally during the installation of the new hardware component.
 8. Be sure all necessary software updates, such as device drivers, ROM updates, and patches, are installed and current. For example, if you are using a Smart Array controller, you need the latest Smart Array Controller device driver.
 9. Be sure all device drivers are the correct ones for the hardware. Uninstall any incorrect drivers before installing the correct drivers.
 10. Press the **F10** key to run the BIOS Setup Utility after boards or other options are installed or replaced to be sure all system components recognize the changes. If you do not run the utility, you may receive a POST error message indicating a configuration error. After you check the settings in the BIOS setup menu, press the **F10** key to save and exit the utility, and then restart the server.
 11. Be sure all switch settings are set correctly. For additional information about required switch settings, refer to the labels located on the inside of the server access panel or the server documentation.
 12. Be sure all boards are properly installed in the server.
 13. Run HP Insight Diagnostics (on page 51) to see if it recognizes and tests the device.
 14. Uninstall the new hardware.

Third-party device problems

Action:

1. Refer to the server and operating system documentation to be sure the server and operating system support the device.
2. Be sure the latest device drivers are installed.
3. Refer to the device documentation to be sure the device is properly installed. For example, a third-party PCI or PCI-X board may be required to be installed on the primary PCI or PCI-X bus, respectively.

Testing the device

Action:

1. Uninstall the device.
If the server works with the device removed and uninstalled, either a problem exists with the device, the server does not support the device, or a conflict exists with another device.
2. If the device is the only device on a bus, be sure the bus works by installing a different device on the bus.
3. Restarting the server each time to determine if the device is working, move the device:
 - a. To a different slot on the same bus (not applicable for PCI Express)
 - b. To a PCI, PCI-X, or PCI Express slot on a different bus
 - c. To the same slot in another working server of the same or similar designIf the board works in any of these slots, either the original slot is bad or the board was not properly seated. Reinsert the board into the original slot to verify.
4. If you are testing a board (or a device that connects to a board):
 - a. Test the board with all other boards removed.
 - b. Test the server with only that board removed.



CAUTION: Clearing NVRAM deletes the configuration information. Refer to the server documentation for complete instructions before performing this operation or data loss could occur.

5. Clearing NVRAM can resolve various problems. Clear the NVRAM, but do not use the backup .SCI file if prompted. Have available any .CFG, .OVL, or .PCF files that are required.

Internal system problems

CD-ROM and DVD drive problems

System does not boot from the drive

Action:

1. Be sure the drive boot order is set so that the server boots from the CD-ROM drive first.
2. If the CD-ROM drive jumpers are set to CS (the factory default), be sure the CD-ROM drive is installed as device 0 on the cable so that it is in position for the server to boot from the drive.
3. Be sure no loose connections (on page 54) exist.

4. Be sure the media from which you are attempting to boot is not damaged and is a bootable CD.
5. If attempting to boot from a USB CD-ROM drive, refer to the operating system and server documentation to be sure both support booting from a USB CD-ROM drive.

Data read from the drive is inconsistent, or drive cannot read data

Action:

1. Clean the drive and media.
2. If a paper or plastic label has been applied to the surface of the CD or DVD in use, remove the label and any adhesive residue.
3. Be sure the inserted CD or DVD format is valid for the drive. For example, be sure you are not inserting a DVD into a drive that only supports CDs.

Drive is not detected

Action:

1. Be sure no loose connections (on page 54) exist.
2. Refer to the drive documentation to be sure cables are connected as required.
3. Be sure the cables are working properly. Replace with known functional cables to test whether the original cables were faulty.
4. Be sure the correct, current driver is installed.

DAT drive problems

Sense error codes are displayed

Action: Refer to the *Troubleshooting DAT Drives* white paper for information on DAT drive sense error codes. Search for it on the HP website (<http://www.hp.com>).

DAT drive error or failure occurs

Action:

1. Be sure drivers, software, and firmware are upgraded to the latest revisions.
2. Clean the drive at least four times to be sure that the heads are clean and to eliminate dirty heads as the possible cause of the failure.

DAT drives require cleaning every 8 to 25 hours of use or they may fail intermittently when using marginal or bad media. Be sure you are following the proper cleaning procedures described in the device and server documentation.

NOTE: New DAT tapes may contain debris that will contaminate the DAT drive read/write head. If using new tapes for backup, clean the DAT drive frequently.

DAT drive is providing poor performance

Action: Be sure the drive is not being used to backup more data than is recommended for the drive. DAT drives are designed with optimum and maximum data backup sizes. Refer to the drive documentation to determine the appropriate data backup size for the drive.

Latest firmware indicates a defective tape, or head clogs occur regularly

Action: Replace the tape.

Other errors are occurring

Action: Replace the drive.

DLT drive problems

Server cannot write to tape

Action:

- If the drive cleaning light is on, clean the drive.

NOTE: DLT cleaning cartridges are good for only 20 uses. If the cleaning cartridge is near that limit and the drive cleaning light is still on after running the cleaning cartridge, use a new cleaning tape to clean the drive.

- If the tape is write protected, remove the write protection. If the tape still does not work, insert another tape into the drive to see if the original tape is faulty.
- Refer to the tape drive documentation to be sure the type of tape being used is supported by the drive.
- Check each tape cartridge that has been used in the drive to verify its condition and inspect its tape leader to verify it is not damaged and is in the correct position. After you locate any bad cartridges, dispose of them. A working tape drive may drop its leader when using bad cartridges, indicating that they need replacing. If bad cartridges are found, you will need to inspect the DLT drives leader assembly.
 - To examine the cartridge take-up leader, tilt the cartridge receiver door on the front of the drive and look inside to see that the drive leader is connected to the buckling link-hook.
 - To examine the drive take-up leader, tilt the cartridge receiver door on the front of the drive and look inside to see that the drive leader is connected to the buckling link-hook, which should be engaged in the leader slot.

DLT drive failure occurs

Action:

- Be sure the power and signal cables are properly connected.
- Be sure the power and signal cable connectors are not damaged.
- If the drive is connected to a nonembedded controller, be sure the controller is properly seated.

DLT drive does not read tape

Action:

- Be sure the drive is seated.
- Be sure the drive is installed properly.

- Check each tape cartridge that has been used in the drive to see if a leader was dropped. After you locate any bad cartridges, dispose of them. A working tape drive will drop the leader of a bad cartridge, indicating that the cartridge needs replacing.
- Refer to the tape drive documentation to be sure the type of tape being used is supported by the drive.

Server cannot find the DLT drive

Action:

- Be sure a device conflict does not exist. Check for duplicate SCSI IDs in use and refer to the documentation of the DLT drive and the array controller to be sure they are compatible.
- Be sure the maximum number of drives per controller has not been exceeded. Refer to the controller documentation to determine the capacity of the controller.

NOTE: It is recommended that no more than two DLT drives per bus exist.

- If using an external DLT drive that requires a SCSI terminator to be secured to the unused SCSI IN connector on the back of the drive, be sure the SCSI terminator is connected.
DLT drives can be daisy chained, but do not connect more than three units per SCSI controller. The last DLT drive in the chain requires the SCSI terminator.
- Check cables for damaged or bent connectors.

An error occurs during backup, but the backup is completed

Action: Contact the software vendor for more information about the message. If the error does not disrupt the backup, you may be able to ignore the error.

Fan problems

General fan problems are occurring

Action:

1. Be sure the fans are properly seated and working.
 - a. Follow the procedures and warnings in the server documentation for removing the access panels and accessing and replacing fans.
 - b. Unseat, and then reseat, each fan according to the proper procedures.
 - c. Replace the access panels, and then attempt to restart the server.
2. Be sure the fan configuration meets the functional requirements of the server. Refer to the server documentation.
3. Be sure no ventilation problems exist. If you have been operating the server for an extended period of time with the access panel removed, airflow may have been impeded, causing thermal damage to components. Refer to the server documentation for further requirements.
4. Be sure no POST error messages are displayed while booting the server that indicate temperature violation or fan failure information. Refer to the server documentation for the temperature requirements for the server.

5. Replace any required non-functioning fans and restart the server. Refer to the server documentation for specifications on fan requirements.
6. Be sure all fan slots have fans or blanks installed. Refer to the server documentation for requirements.
7. Verify the fan airflow path is not blocked by cables or other material.

Hard drive problems

System completes POST but hard drive fails

Action:

1. Be sure no loose connections (on page 54) exist.
2. Be sure no device conflict exists.
3. Be sure the hard drive is properly cabled and terminated if necessary.
4. Be sure the SCSI cable is working by replacing it with a known functional cable.
5. Run Insight Diagnostics ("HP Insight Diagnostics" on page 51) and replace failed components as indicated.

Hard drive is not recognized by the server

Action:

1. Check the LEDs on the hard drive to be sure they indicate normal function. Refer to the server documentation or the HP website for information on hard drive LEDs.
2. Be sure no loose connections (on page 54) exist.
3. Remove the hard drive and be sure the configuration jumpers are set properly.
4. If using an array controller, be sure the hard drive is configured in an array. Run the array configuration utility.
5. Be sure the drive is properly configured. Refer to the drive documentation to determine the proper configuration.
6. If it is a non-hot-plug drive, be sure a conflict does not exist with another hard drive. Check for SCSI ID conflicts.
7. Be sure the correct drive controller drivers are installed.

Data is inaccessible

Action:

1. Be sure the files are not corrupt. Run the repair utility for the operating system.
2. Be sure no viruses exist on the server. Run a current version of a virus scan utility.
3. When a TPM is installed and is being used with BitLocker™, be sure the TPM is enabled in RBSU ("HP ROM-Based Setup Utility" on page 52). See the TPM replacement recovery procedure in the operating system documentation.
4. When migrating encrypted data to a new server, be sure to follow the recovery procedures in the operating system documentation.

Server response time is slower than usual

Action: Be sure the hard drive is not full, and increase the amount of free space on the hard drive, if needed. It is recommended that hard drives should have a minimum of 15 percent free space.

No hard drives are recognized

Action: Be sure no power problems (on page 68) exist.

A new hard drive is not recognized

Action:

1. Be sure the drive is supported. To determine drive support, see the server documentation or the HP website (<http://www.docs.hp.com>).
2. Be sure the drive bay is not defective by installing the hard drive in another bay.
3. Run HP Insight Diagnostics (on page 51). Then, replace failed components as indicated.
4. When the drive is a replacement drive on an array controller, be sure that the drive is the same type and of the same or larger capacity than the original drive.

Memory problems

General memory problems are occurring

Action:

- Isolate and minimize the memory configuration. Use care when handling DIMMs ("DIMM handling guidelines" on page 55).
 - Be sure the memory meets the server requirements and is installed as required by the server. Some servers may require that memory banks be populated fully or that all memory within a memory bank must be the same size, type, and speed. To determine if the memory is installed properly, see the server documentation.
 - Check any server LEDs that correspond to memory slots.
 - If you are unsure which DIMM has failed, test each bank of DIMMs by removing all other DIMMs. Then, isolate the failed DIMM by switching each DIMM in a bank with a known working DIMM.
 - Remove any third-party memory.
- To test the memory, run HP Insight Diagnostics (on page 51).

Server is out of memory

Action:

1. Be sure the memory is configured properly. Refer to the application documentation to determine the memory configuration requirements.
2. Be sure no operating system errors are indicated.
3. Be sure a memory count error ("Memory count error exists" on page 78) did not occur. Refer to the message displaying memory count during POST.

Memory count error exists

Possible Cause: The memory modules are not installed correctly.

Action:

1. Be sure the memory modules are supported by the server. See the server documentation.
2. Be sure the memory modules have been installed correctly in a supported configuration. See the server documentation.
3. Be sure the memory modules are seated properly ("[DIMM handling guidelines](#)" on page 55).
4. Be sure no operating system errors are indicated.
5. Restart the server and check to see if the error message is still displayed.
6. Run HP Insight Diagnostics (on page 51). Then, replace failed components as indicated.

Server fails to recognize existing memory

Action:

1. Reseat the memory. Use care when handling DIMMs ("[DIMM handling guidelines](#)" on page 55).
2. Be sure the memory is configured properly. See the server documentation.
3. Be sure a memory count error did not occur ("[Memory count error exists](#)" on page 78). See the message displaying memory count during POST.

Server fails to recognize new memory


Action:

1. Be sure the memory is the correct type for the server and is installed according to the server requirements. Refer to the server documentation or HP website (<http://www.hp.com>).
2. Be sure you have not exceeded the memory limits of the server or operating system. Refer to the server documentation.
3. Be sure the memory is properly seated.
4. Be sure no conflicts are occurring with existing memory. Run the server setup utility.
5. Test the memory by installing the memory into a known working server. Be sure the memory meets the requirements of the new server on which you are testing the memory.
6. Replace the memory. Refer to the server documentation.

Processor problems

Action:


1. If applicable, check the processor LEDs to identify if a PPM failure occurred. For information on LEDs, refer to the server documentation.
2. Be sure each processor is supported by the server and is installed properly. Refer to the server documentation for processor requirements.
3. Be sure the server ROM is up to date.
4. Be sure you are not mixing processor stepping, core speeds, or cache sizes if this is not supported on the server. Refer to the server documentation for more information.

 **CAUTION:** Removal of some processors and heatsinks require special considerations for replacement, while other processors and heatsinks are integrated and cannot be reused once separated. For specific instructions for the server you are troubleshooting, refer to processor information in the Hardware options installation (on page 23) section on the Documentation CD.

5. If the server has only one processor installed, replace it with a known functional processor. If the problem is resolved after you restart the server, the original processor failed.
6. If the server has multiple processors installed, test each processor:
 - a. Remove all but one processor from the server. Replace each with a processor terminator board or blank, if applicable to the server.
 - b. If the server includes PPMs that are not integrated on the system board, remove all PPMs from the server except for the PPM associated with the remaining processor.
 - c. Replace the remaining processor with a known functional processor. If the problem is resolved after you restart the server, a fault exists with one or more of the original processors. Install each processor and its associated PPM (if applicable) one by one, restarting each time, to find the faulty processor or processors. Be sure the processor configurations at each step are compatible with the server requirements.

PPM problems


Action: If the PPMs are not integrated on the system board:

 **CAUTION:** Do not operate the server for long periods with the access panel open or removed. Operating the server in this manner results in improper airflow and improper cooling that can lead to thermal damage.

1. If applicable, check the PPM LEDs to identify if a PPM failure occurred. For information on LEDs, refer to the server documentation.
2. Reseat each PPM, and then restart the server.
3. If reseating the PPMs is not effective, remove all but one PPM, restart the server to see if the PPM is working, and then install each PPM individually, cycling power each time. Follow the warnings and cautionary information in the server documentation.

System open circuits and short circuits

Action:

 **CAUTION:** Do not operate the server for long periods with the access panel open or removed. Operating the server in this manner results in improper airflow and improper cooling that can lead to thermal damage.

1. Check the server LEDs to see if any statuses indicate the source of the problem. For LED information, refer to the server documentation.
2. Remove all power sources to the server.
3. Be sure no loose connections (on page 54) exist in the area.
4. Be sure each component in the area is working. Refer to the section for each component in this guide.

If you cannot determine the problem by checking the specific area, perform each of the following actions. Restart the server after each action to see if the problem has been corrected.

- Reseat all I/O expansion boards.
- Be sure no loose connections (on page 54) exist in the rest of the server, particularly with the cables that connect to the system board.
- Be sure no foreign material exists, such as screws, bits, or slot bracket blanks, that may be short circuiting components.

External device problems

Video problems (on page 80)

Audio problems (on page 81)

Printer problems (on page 81)

Mouse and keyboard problems (on page 81)

Diagnostic adapter problems (on page 82)

Modem problems (on page 82)

Network controller problems (on page 84)

Video problems

Screen is blank for more than 60 seconds after you power up the server

Action:

1. Power up the monitor and be sure the monitor light is on, indicating that the monitor is receiving power.
2. Be sure the monitor power cord is plugged into a working grounded (earthed) AC outlet.
3. Be sure the monitor is cabled to the intended server or KVM connection.
4. Be sure no loose connections (on page 54) exist.
 - For rack-mounted servers, check the cables to the KVM switch and be sure the switch is correctly set for the server. You may need to connect the monitor directly to the server to be sure the KVM switch has not failed.
 - For tower-model servers, check the cable connection from the monitor to the server, and then from the server to the power outlet.
5. Press any key, or type the password, and wait a few moments for the screen to activate to be sure the energy saver feature is not in effect.
6. Be sure the video driver is current. Refer to the third-party video adapter documentation for driver requirements.
7. Be sure a video expansion board has not been added to replace onboard video, making it seem like the video is not working. Disconnect the video cable from the onboard video, and then reconnect it to the video jack on the expansion board.

NOTE: All servers automatically bypass onboard video when a video expansion board is present.

8. Press any key, or type the password, and wait a few moments for the screen to activate to be sure the power-on password feature is not in effect. You can also tell if the power-on password is enabled if a key symbol is displayed on the screen when POST completes.
If you do not have access to the password, you must disable the power-on password by using the Password Disable switch on the system board. Refer to the server documentation.
9. If the video expansion board is installed in a PCI Hot Plug slot, be sure the slot has power by checking the power LED on the slot, if applicable. Refer to the server documentation.
10. Be sure the server and the operating system support the video expansion board.

Monitor does not function properly with energy saver features

Action: Be sure the monitor supports energy saver features, and if it does not, disable the features.

Video colors are wrong

Action:

- Be sure the 15-pin VGA cable is securely connected to the correct VGA port on the server and to the monitor.
- Be sure the monitor and any KVM switch are compatible with the VGA output of the server.

Slow-moving horizontal lines are displayed

Action: Be sure magnetic field interference is not occurring. Move the monitor away from other monitors or power transformers.

Audio problems

Action: Be sure the server speaker is connected. Refer to the server documentation.

Printer problems

Printer does not print

Action:

1. Be sure the printer is powered up and online.
2. Be sure no loose connections (on page 54) exist.
3. Be sure the correct printer drivers are installed.

Printer output is garbled

Action: Be sure the correct printer drivers are installed.

Mouse and keyboard problems

Action:

1. Be sure no loose connections (on page 54) exist. If a KVM switching device is in use, be sure the server is properly connected to the switch.
 - For rack-mounted servers, check the cables to the switch box and be sure the switch is correctly set for the server.

- For tower model servers, check the cable connection from the input device to the server.
- 2. If a KVM switching device is in use, be sure all cables and connectors are the proper length and are supported by the switch. Refer to the switch documentation.
- 3. Be sure the current drivers for the operating system are installed.
- 4. Be sure the device driver is not corrupted by replacing the driver.
- 5. Restart the system and check whether the input device functions correctly after the server restarts.
- 6. Replace the device with a known working equivalent device (another similar mouse or keyboard).
 - If the problem still occurs with the new mouse or keyboard, the connector port on the system I/O board is defective. Replace the board.
 - If the problem no longer occurs, the original input device is defective. Replace the device.
- 7. Be sure the keyboard or mouse is connected to the correct port. Determine whether the keyboard lights flash at POST or the NumLock LED illuminates. If not, change port connections.
- 8. Be sure the keyboard or mouse is clean.

Diagnostic adapter problems

Action: If the diagnostic adapter does not have hot-plug functionality, be sure you are not using a PS/2 keyboard or mouse. With a PS/2 keyboard or mouse, the diagnostic adapter cannot be connected as a hot-plug device. Connect the diagnostic adapter before booting the server, or switch to USB devices (if supported) to use the diagnostic adapter hot-plug functionality.

Modem problems

No dial tone exists

Action:

1. Be sure the cables are plugged in as specified in the modem documentation.
2. Connect a working telephone directly to the wall jack, and then test the line for a dial tone.
3. If no dial tone is detected, the phone line is not working. Contact the local telephone company and arrange to correct the problem.

Modem does not connect to another modem

Action:

1. Be sure a dial tone exists.
2. Be sure the line is not in use at another extension before using it.
3. Be sure you are dialing the correct telephone number.
4. Be sure the modem on the other end is working.

No response occurs when you type AT commands

Action: Reconfigure the COM port address for the modem.

1. Be sure the communications software is set to the COM port to which the modem is connected.
2. Check IRQ settings in the software and on the modem to be sure no conflict exists.
3. Type `AT&F` at the command prompt to reset the modem to factory-default settings.

4. Be sure you are in terminal mode and not MS-DOS mode.
5. Refer to the HP website (<http://www.hp.com>) for a complete list of AT commands.

AT commands are not visible

Action: Set the echo command to On using the AT command `ATE`.

Data is displayed as garbled characters after the connection is established

Action:

1. Be sure both modems have the same settings, including speed, data, parity, and stop bits.
2. Be sure the software is set for the correct terminal emulation.
 - a. Reconfigure the software correctly.
 - b. Restart the server.
 - c. Run the communications software, checking settings and making corrections where needed.
 - d. Restart the server, and then reestablish the modem connection.

Modem does not answer an incoming call

Action:

1. Enable the auto-answer option in the communications software.
2. Be sure an answering machine is not answering the line before the modem is able to answer.
 - a. Turn off the answering machine.
or
Reconfigure the auto-answer option to respond in fewer rings than the answering machine.
 - b. Restart the server, and then reattempt the connection.

Modem disconnects while online

Action:

1. Be sure no loose connections (on page 54) exist.
2. Be sure no line interference exists. Retry the connection by dialing the number several times. If conditions remain poor, contact the telephone company to have the line tested.
3. Be sure an incoming call is not breaking the connection due to call waiting. Disable call waiting, and then reestablish the connection.

AT command initialization string is not working

Action: Use the most basic string possible to perform the task. The default initialization string is `AT&F&C1&D2&K3`.

Connection errors are occurring

Action:

1. Check the maximum baud rate for the modem to which you are connecting, and then change the baud rate to match.

2. If the line you are accessing requires error control to be turned off, do so using the AT command `AT&Q6%C0`.
3. Be sure no line interference exists. Retry the connection by dialing the number several times. If conditions remain poor, contact the telephone company to have the line tested.
4. Be sure the modem is current and compliant with CCITT and Bell standards. Replace with a supported modem if needed.

You are unable to connect to an online subscription service

Action:

1. If the line you are accessing requires error control to be turned off, do so using the AT command `AT&Q6%C0`.
2. If the ISP you are accessing requires access at a decreased baud rate, reconfigure the communications software to correct the connection baud rate to match the ISP.
3. If this does not work, force a slower baud rate (14400 baud) with the AT command `AT&Q6N0S37=11`.

You are unable to connect at 56 Kbps

Action:

1. Find out the maximum baud rate at which the ISP connects, and change the settings to reflect this. Reattempt to connect at a lower baud rate.
2. Be sure no line interference exists. Retry the connection by dialing the number several times. If conditions remain poor, contact the telephone company to have the line tested.

Network controller problems

Network controller is installed but not working

Action:

1. Check the network controller LEDs to see if any statuses indicate the source of the problem. For LED information, refer to the network controller documentation.
2. Be sure no loose connections (on page 54) exist.
3. Be sure the network cable is working by replacing it with a known functional cable.
4. Be sure a software problem has not caused failure. Refer to the operating system documentation for guidelines on adding or replacing PCI Hot Plug devices, if applicable.
5. Be sure the server and operating system support the controller. Refer to the server and operating system documentation.
6. Be sure the controller is enabled in the BIOS Setup Utility.
7. Check the PCI Hot Plug power LED to be sure the PCI slot is receiving power, if applicable.
8. Be sure the server ROM is up to date.
9. Be sure the controller drivers are up to date.
10. Be sure a valid IP address is assigned to the controller and that the configuration settings are correct.
11. Run Insight Diagnostics ("HP Insight Diagnostics" on page 51) and replace failed components as indicated.

Network controller has stopped working

Action:

1. Check the network controller LEDs to see if any statuses indicate the source of the problem. For LED information, refer to the network controller documentation.
2. Be sure the correct network driver is installed for the controller and that the driver file is not corrupted. Reinstall the driver.
3. Be sure no loose connections (on page 54) exist.
4. Be sure the network cable is working by replacing it with a known functional cable.
5. Check the PCI Hot Plug power LED to be sure the PCI slot is receiving power, if applicable.
6. Be sure the network controller is not damaged.
7. Run Insight Diagnostics ("HP Insight Diagnostics" on page 51) and replace failed components as indicated.

Network controller stopped working when an expansion board was added

Action:

1. Be sure no loose connections (on page 54) exist.
2. Be sure the server and operating system support the controller. Refer to the server and operating system documentation.
3. Be sure the new expansion board has not changed the server configuration, requiring reinstallation of the network driver.
 - a. Uninstall the network controller driver for the malfunctioning controller in the operating system.
 - b. Restart the server, run BIOS Setup Utility, and be sure the server recognizes the controller and resources are available for the controller.
 - c. Restart the server, and then reinstall the network driver.
4. Refer to the operating system documentation to be sure the correct drivers are installed.
5. Refer to the operating system documentation to be sure that the driver parameters match the configuration of the network controller.

Software tools and solutions

Software problems ("Introduction to software problems" on page 85)

Firmware maintenance (on page 88)

Introduction to software problems

The best sources of information for software problems are the operating system and application software documentation, which may also point to fault detection tools that report errors and preserve the system configuration.

Another useful resource is HP Insight Diagnostics. Use this utility to gather critical system hardware and software information and to help with problem diagnosis.



IMPORTANT: This guide provides information for multiple servers. Some information may not apply to the server you are troubleshooting. Refer to the server documentation for information on procedures, hardware options, software tools, and operating systems supported by the server.

Refer to "Server software and configuration utilities ("Software and configuration utilities" on page 50)" for more information.

Operating system updates

Use care when applying operating system updates (Service Packs, hotfixes, and patches). Before updating the operating system, read the release notes for each update. If you do not require specific fixes from the update, it is recommended that you do **not** apply the updates. Some updates overwrite files specific to HP.

If you decide to apply an operating system update:

1. Perform a full system backup.
2. Apply the operating system update, using the instructions provided.
3. Install the current drivers.

If you apply the update and have problems, locate files to correct the problems on the HP website (<http://www.hp.com/support>).

Operating system problems

Operating system locks up

Action: Scan for viruses with an updated virus scan utility.

Errors are displayed in the error log

Action: Follow the information provided in the error log, and then refer to the operating system documentation.

Problems occur after the installation of a service pack

Action: Follow the instructions for updating the operating system ("Operating system updates" on page 86).

Restoring to a backed-up version

If you recently upgraded the operating system or software and cannot resolve the problem, you can try restoring a previously saved version of the system. Before restoring the backup, make a backup of the current system. If restoring the previous system does not correct the problem, you can restore the current set to be sure you do not lose additional functionality.

Refer to the documentation provided with the backup software.

When to reconfigure or reload software

If all other options have not resolved the problem, consider reconfiguring the system. Before you take this step:

1. Weigh the projected downtime of a software reload against the time spent troubleshooting intermittent problems. It may be advantageous to start over by removing and reinstalling the problem software.
2. Be sure the server has adequate resources (processor speed, hard drive space, and memory) for the software.
3. Be sure the server ROM is current and the configuration is correct.
4. Be sure you have printed records of all troubleshooting information you have collected to this point.
5. Be sure you have two good backups before you start. Test the backups using a backup utility.
6. Check the operating system and application software resources to be sure you have the latest information.
7. If the last-known functioning configuration does not work, try to recover the system with operating system recovery software:
 - o Microsoft® operating systems:
Windows Server® 2003—Automated System Recovery Diskette. If the operating system was factory-installed, click **Start>All Programs>Accessories>System Tools** to access the backup utility. Refer to the operating system documentation for more information.
Windows® 2000—Emergency Repair Diskette. If the operating system was factory-installed, click **Start>Programs>System Tools** to access the Emergency Repair Disk Utility. Refer to the operating system documentation for more information.
 - o Linux—Refer to the operating system documentation for information.

Linux operating systems

For troubleshooting information specific to Linux operating systems, refer to the Linux for ProLiant website (<http://h18000.www1.hp.com/products/servers/linux>).

Application software problems

Software locks up

Action:

1. Check the application log and operating system log for entries indicating why the software failed.
2. Check for incompatibility with other software on the server.
3. Check the support website of the software vendor for known problems.
4. Review log files for changes made to the server which may have caused the problem.
5. Scan the server for viruses with an updated virus scan utility.

Errors occur after a software setting is changed

Action: Check the system logs to determine what changes were made, and then change settings to the original configuration.

Errors occur after the system software is changed

Action: Change settings to the original configuration. If more than one setting was changed, change the settings one at a time to isolate the cause of the problem.

Errors occur after an application is installed

Action:

- Check the application log and operating system log for entries indicating why the software failed.
- Check system settings to determine if they are the cause of the error. You may need to obtain the settings from the server setup utility and manually set the software switches. Refer to the application documentation, the vendor website, or both.
- Check for overwritten files. Refer to the application documentation to find out which files are added by the application.
- Reinstall the application.
- Be sure you have the most current drivers.

Firmware maintenance

HP has developed technologies to help ensure that HP servers provide maximum uptime with minimal maintenance. Many of these technologies also reduce server management efforts, enabling administrators to work on issues and resolve problems without taking servers offline.

Types of ROM

Types of ROMs include:

- System ROM (on page 88)
- Option ROMs (on page 88)

System ROM

A system reboot is required for a ROM upgrade to take effect. For disaster recovery or ROM downgrade purposes, backups of the most current ROM image are available in either redundant ROM or a ROM backup.

Option ROMs

Types of option ROMs include:

- Array controller ROMs
- Lights-out 100i ROMs
- Hard drive ROMs

Flashing ROM

The process of upgrading system and option ROMs is referred to as **flashing the ROM**. A ROM flash uses software to replace the current system ROM on a target server with a new ROM image. Flash the ROM to:

- Support new features
- Correct problems in a previous ROM version

ROMPaq utility diskette or USB drive key

The bootable ROMPaq diskette or USB drive key contains all the necessary system files, option ROM image files, and the configuration files required to upgrade the ROM firmware.

This procedure is most effective when flashing the ROM on a small number of servers located in close proximity.

To flash the ROM using ROMPaq:

1. Download the system ROMPaq utility diskette or USB drive key for each target server. ROMPaq downloads are available on the HP website (<http://www.hp.com/support>).
2. Shut down each target server, and then reboot using the correct ROMPaq diskette or USB drive key for that server.
3. Follow the interactive session in the ROMPaq utility, and then select the devices to be flashed.
4. After the ROMPaq utility flashes the ROM for the selected devices, cycle power manually to reboot the system back into the operating system.

Option ROMPaqs have been retired as an upgrade delivery method for storage options. Firmware upgrades for storage options are now delivered using Smart Components and Smart Component deployment utilities.

For additional information about the ROMPaq utility, see the server documentation or the HP website (<http://www.hp.com/support>).

Current firmware versions

Automatic firmware updates

Subscriber's Choice (<http://www.hp.com/go/subscriberschoice>)

Manual firmware updates

Download the latest firmware updates from the HP website (<http://www.hp.com/support>).

Updating firmware

To verify the firmware version, use HP Insight Diagnostics (on page 51).

To update the firmware:

1. Check the firmware version on the device.
2. Determine the latest firmware version available.
3. If a TPM is installed and enabled on the server, disable BitLocker™ before updating the firmware. For more information, see the operating system documentation.
4. Update the firmware to the current version supported for the hardware configuration.
5. Verify the firmware update by checking the firmware version.
6. If a TPM is installed and enabled on the server, enable BitLocker™ after the firmware update is complete. For more information, see the operating system documentation.

Drivers

HP drivers and utilities can be found on the Easy Set-up CD. For the latest drivers and information on supported operating systems, refer to the HP website (<http://www.hp.com/support>).



IMPORTANT: Always perform a backup before installing or updating device drivers.

Contacting HP

Contacting HP technical support or an authorized reseller (on page 90)

Server information you need (on page 90)

Operating system information you need (on page 91)

Contacting HP technical support or an authorized reseller

Before contacting HP, always attempt to resolve problems by completing the procedures in this guide.



IMPORTANT: Collect the appropriate server information ("Server information you need" on page 90) and operating system information ("Operating system information you need" on page 91) before contacting HP for support.

For the name of the nearest HP authorized reseller:

- See the Contact HP worldwide (in English) webpage (<http://welcome.hp.com/country/us/en/wwcontact.html>).

For HP technical support:

- In the United States, for contact options see the Contact HP United States webpage (http://welcome.hp.com/country/us/en/contact_us.html). To contact HP by phone:
 - Call 1-800-HP-INVENT (1-800-474-6836). This service is available 24 hours a day, 7 days a week. For continuous quality improvement, calls may be recorded or monitored.
 - If you have purchased a Care Pack (service upgrade), call 1-800-633-3600. For more information about Care Packs, refer to the HP website (<http://www.hp.com/hps>).
- In other locations, see the Contact HP worldwide (in English) webpage (<http://welcome.hp.com/country/us/en/wwcontact.html>).

Server information you need

Before contacting HP, collect the following:

- All information from any troubleshooting efforts to this point.
- A printed copy of the system and operating environment information and a copy of any historical data that might be relevant. If possible, obtain an electronic copy of this information to send by e-mail to a support specialist. To collect this information, run the Survey Utility (if available) and refer to the server documentation.
- A list of the system components:
 - Product, model, and serial number

- Hardware configuration
- Add-on boards
- Monitor
- Connected peripherals such as tape drives
- A list of all third-party hardware and software:
 - Complete product name and model
 - Complete company name
 - Product version
 - Driver version
- Any notes describing the details of the problem, including recent changes to the system, the events that triggered or are associated with the problem, and the steps needed to reproduce the problem.
- Notes on anything nonstandard about the server setup.
- Operating system information ("[Operating system information you need](#)" on page 91)

Operating system information you need

Depending on the problem, you may be asked for certain pieces of information. Be prepared to access the information listed in the following sections, based on operating system used.

Microsoft® operating systems

Collect the following information:

- Whether the operating system was factory installed
- Operating system version number
- A current copy of the following files:
 - Boot.ini
 - Memory.dmp
 - Event logs
 - Dr. Watson log (drwtsn32.log) if a user mode application, such as the Insight Agents, is having a problem
 - IRQ and I/O address information in text format
- An updated Emergency Repair Diskette
- If HP drivers are installed:
 - Version of the drivers used
 - List of drivers
- The drive subsystem and file system information:
 - Number and size of partitions and logical drives
 - File system on each logical drive
- Current level of Microsoft® Windows® Service Packs and Hotfixes installed
- A list of each third-party hardware component installed, with the firmware revision

- A list of each third-party software component installed, with the version
- A detailed description of the problem and any associated error messages

Linux operating systems

Collect the following information:

- Operating system distribution and version
Look for a file named `/etc/distribution-release` (for example, `/etc/redhat-release`)
- Kernel version in use
- Output from the following commands (performed by root):
 - `lspci -v`
 - `uname -a`
 - `cat /proc/meminfo`
 - `cat /proc/cpuinfo`
 - `rpm -ga`
 - `dmesg`
 - `lsmod`
 - `ps -ef`
 - `ifconfig -a`
 - `chkconfig -list`
 - `mount`
- Contents of the following files:
 - `/var/log/messages`
 - `/etc/modules.conf` or `etc/conf.modules`
 - `/etc/lilo.conf` or `/etc/grub.conf`
 - `/etc/fstab`
- If HP drivers are installed:
 - Version of the drivers used
 - List of drivers
- A list of each third-party hardware component installed, with the firmware revisions
- A list of each third-party software component installed, with the versions
- A detailed description of the problem and any associated error messages

Battery

If the server no longer automatically displays the correct date and time, you may need to replace the battery that provides power to the real-time clock. Under normal use, battery life is 5 to 10 years.

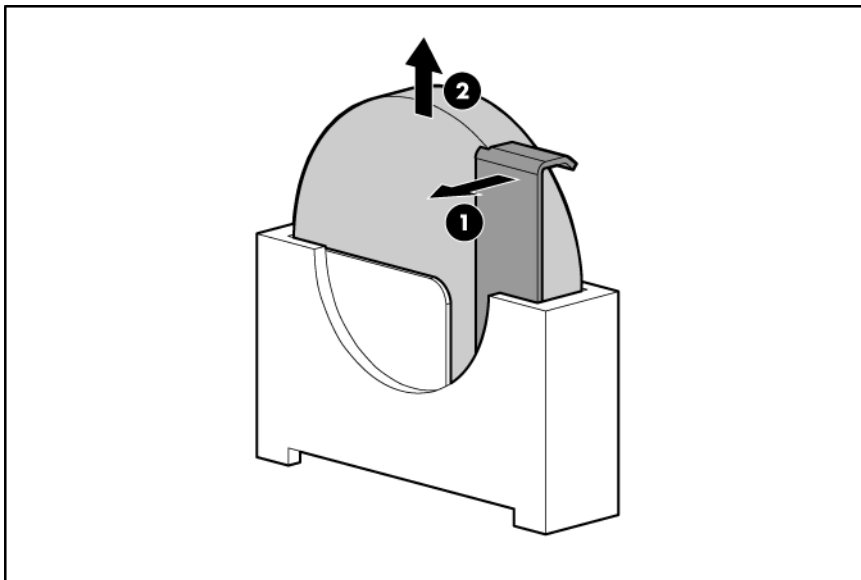
- ⚠ WARNING:** The computer contains an internal lithium manganese dioxide, a vanadium pentoxide, or an alkaline battery pack. A risk of fire and burns exists if the battery pack is not properly handled. To reduce the risk of personal injury:
- Do not attempt to recharge the battery.
 - Do not expose the battery to temperatures higher than 60°C (140°F).
 - Do not disassemble, crush, puncture, short external contacts, or dispose of in fire or water.
 - Replace only with the spare designated for this product.

To remove the component:

1. Power down the server (on page 15).
2. Extend or remove the server from the rack.
3. Remove the access panel (on page 16).

- ⚠ CAUTION:** To prevent damage to the server or expansion boards, power down the server and remove all AC power cords before removing or installing the expansion boards.

4. Remove the battery.



- 📌 IMPORTANT:** Replacing the system board battery resets the system ROM to its default configuration. After replacing the battery, reconfigure the system through BIOS Setup Utility.

To replace the component, reverse the removal procedure.

For more information about battery replacement or proper disposal, contact an authorized reseller or an authorized service provider.

Regulatory compliance notices

Regulatory compliance identification numbers

For the purpose of regulatory compliance certifications and identification, this product has been assigned a unique regulatory model number. The regulatory model number can be found on the product nameplate label, along with all required approval markings and information. When requesting compliance information for this product, always refer to this regulatory model number. The regulatory model number is not the marketing name or model number of the product.

Federal Communications Commission notice

Part 15 of the Federal Communications Commission (FCC) Rules and Regulations has established Radio Frequency (RF) emission limits to provide an interference-free radio frequency spectrum. Many electronic devices, including computers, generate RF energy incidental to their intended function and are, therefore, covered by these rules. These rules place computers and related peripheral devices into two classes, A and B, depending upon their intended installation. Class A devices are those that may reasonably be expected to be installed in a business or commercial environment. Class B devices are those that may reasonably be expected to be installed in a residential environment (for example, personal computers). The FCC requires devices in both classes to bear a label indicating the interference potential of the device as well as additional operating instructions for the user.

FCC rating label

The FCC rating label on the device shows the classification (A or B) of the equipment. Class B devices have an FCC logo or ID on the label. Class A devices do not have an FCC logo or ID on the label. After you determine the class of the device, refer to the corresponding statement.

Class A equipment

This equipment has been tested and found to comply with the limits for a Class A digital device, pursuant to Part 15 of the FCC Rules. These limits are designed to provide reasonable protection against harmful interference when the equipment is operated in a commercial environment. This equipment generates, uses, and can radiate radio frequency energy and, if not installed and used in accordance with the instructions, may cause harmful interference to radio communications. Operation of this equipment in a residential area is likely to cause harmful interference, in which case the user will be required to correct the interference at personal expense.

Class B equipment

This equipment has been tested and found to comply with the limits for a Class B digital device, pursuant to Part 15 of the FCC Rules. These limits are designed to provide reasonable protection against harmful interference in a residential installation. This equipment generates, uses, and can radiate radio frequency energy and, if not installed and used in accordance with the instructions, may cause harmful interference

to radio communications. However, there is no guarantee that interference will not occur in a particular installation. If this equipment does cause harmful interference to radio or television reception, which can be determined by turning the equipment off and on, the user is encouraged to try to correct the interference by one or more of the following measures:

- Reorient or relocate the receiving antenna.
- Increase the separation between the equipment and receiver.
- Connect the equipment into an outlet on a circuit that is different from that to which the receiver is connected.
- Consult the dealer or an experienced radio or television technician for help.

Declaration of conformity for products marked with the FCC logo, United States only

This device complies with Part 15 of the FCC Rules. Operation is subject to the following two conditions: (1) this device may not cause harmful interference, and (2) this device must accept any interference received, including interference that may cause undesired operation.

For questions regarding this product, contact us by mail or telephone:

- Hewlett-Packard Company
P. O. Box 692000, Mail Stop 530113
Houston, Texas 77269-2000
- 1-800-HP-INVENT (1-800-474-6836). (For continuous quality improvement, calls may be recorded or monitored.)

For questions regarding this FCC declaration, contact us by mail or telephone:

- Hewlett-Packard Company
P. O. Box 692000, Mail Stop 510101
Houston, Texas 77269-2000
- 1-281-514-3333

To identify this product, refer to the part, series, or model number found on the product.

Modifications

The FCC requires the user to be notified that any changes or modifications made to this device that are not expressly approved by Hewlett-Packard Company may void the user's authority to operate the equipment.

Cables

Connections to this device must be made with shielded cables with metallic RFI/EMI connector hoods in order to maintain compliance with FCC Rules and Regulations.

Canadian notice (Avis Canadien)

Class A equipment

This Class A digital apparatus meets all requirements of the Canadian Interference-Causing Equipment Regulations.

Cet appareil numérique de la classe A respecte toutes les exigences du Règlement sur le matériel brouilleur du Canada.

Class B equipment

This Class B digital apparatus meets all requirements of the Canadian Interference-Causing Equipment Regulations.

Cet appareil numérique de la classe B respecte toutes les exigences du Règlement sur le matériel brouilleur du Canada.

European Union regulatory notice

This product complies with the following EU Directives:

- Low Voltage Directive 2006/95/EC
- EMC Directive 2004/108/EC

Compliance with these directives implies conformity to applicable harmonized European standards (European Norms) which are listed on the EU Declaration of Conformity issued by Hewlett-Packard for this product or product family.

This compliance is indicated by the following conformity marking placed on the product:



This marking is valid for non-Telecom products and EU harmonized Telecom products (e.g. Bluetooth).



This marking is valid for EU non-harmonized Telecom products.

*Notified body number (used only if applicable—refer to the product label)

Hewlett-Packard GmbH, HQ-TRE, Herrenberger Strasse 140, 71034 Boeblingen, Germany

The official EU CE declaration of conformity for this device can be found on the HP website (<http://www.hp.com/go/certificates>).

Disposal of waste equipment by users in private households in the European Union



This symbol on the product or on its packaging indicates that this product must not be disposed of with your other household waste. Instead, it is your responsibility to dispose of your waste equipment by handing it over to a designated collection point for the recycling of waste electrical and electronic equipment. The separate collection and recycling of your waste equipment at the time of disposal will help to conserve natural resources and ensure that it is recycled in a manner that protects human health and the environment. For more information about where you can drop off your waste equipment for recycling, please contact your local city office, your household waste disposal service or the shop where you purchased the product.

Japanese notice

ご使用になっている装置に VCCI マークが付いていましたら、次の説明文をお読み下さい。

この装置は、クラス B 情報技術装置です。この装置は、家庭環境で使用することを目的としていますが、この装置がラジオやテレビジョン受信機に近接して使用されると、受信障害を引き起こすことがあります。取扱説明書に従って正しい取り扱いをして下さい。

VCCI-B

VCCI マークが付いていない場合には、次の点にご注意下さい。

この装置は、クラス A 情報技術装置です。この装置を家庭環境で使用すると電波妨害を引き起こすことがあります。この場合には使用者は適切な対策を講ずるよう要求されることがあります。

VCCI-A

BSMI notice

警告使用者:

這是甲類的資訊產品，在居住的環境中使用時，可能會造成射頻干擾，在這種情況下，使用者會被要求採取某些適當的對策。

Korean notice

Class A equipment

A급 기기 (업무용 방송통신기기)	이 기기는 업무용(A급)으로 전자파적합등록을 한 기기이오니 판매자 또는 사용자는 이 점을 주의하시기 바라며, 가정 외의 지역에서 사용하는 것을 목적으로 합니다.
-----------------------	---

Class B equipment

B급 기기 (가정용 방송통신기기)	이 기기는 가정용(B급)으로 전자파적합등록을 한 기기로서 주로 가정에서 사용하는 것을 목적으로 하며, 모든 지역에서 사용할 수 있습니다.
-----------------------	--

Laser compliance

This product may be provided with an optical storage device (that is, CD or DVD drive) and/or fiber optic transceiver. Each of these devices contains a laser that is classified as a Class 1 Laser Product in accordance with US FDA regulations and the IEC 60825-1. The product does not emit hazardous laser radiation.

Each laser product complies with 21 CFR 1040.10 and 1040.11 except for deviations pursuant to Laser Notice No. 50, dated May 27, 2001; and with IEC 60825-1:1993/A2:2001.



WARNING: Use of controls or adjustments or performance of procedures other than those specified herein or in the laser product's installation guide may result in hazardous radiation exposure. To reduce the risk of exposure to hazardous radiation:

- Do not try to open the module enclosure. There are no user-serviceable components inside.
- Do not operate controls, make adjustments, or perform procedures to the laser device other than those specified herein.
- Allow only HP Authorized Service technicians to repair the unit.

The Center for Devices and Radiological Health (CDRH) of the U.S. Food and Drug Administration implemented regulations for laser products on August 2, 1976. These regulations apply to laser products manufactured from August 1, 1976. Compliance is mandatory for products marketed in the United States.

Battery replacement notice



WARNING: The computer contains an internal lithium manganese dioxide, a vanadium pentoxide, or an alkaline battery pack. A risk of fire and burns exists if the battery pack is not properly handled. To reduce the risk of personal injury:

- Do not attempt to recharge the battery.
- Do not expose the battery to temperatures higher than 60°C (140°F).
- Do not disassemble, crush, puncture, short external contacts, or dispose of in fire or water.



Batteries, battery packs, and accumulators should not be disposed of together with the general household waste. To forward them to recycling or proper disposal, use the public collection system or return them to HP, an authorized HP Partner, or their agents.

For more information about battery replacement or proper disposal, contact an authorized reseller or an authorized service provider.

Taiwan battery recycling notice

The Taiwan EPA requires dry battery manufacturing or importing firms in accordance with Article 15 of the Waste Disposal Act to indicate the recovery marks on the batteries used in sales, giveaway or promotion. Contact a qualified Taiwanese recycler for proper battery disposal.



Power cord statement for Japan

製品には、同梱された電源コードをお使い下さい。
同梱された電源コードは、他の製品では使用出来ません。

Acoustics statement for Germany (Geräuschemission)

Schalldruckpegel $L_{pA} < 70$ dB(A)

Zuschauerpositionen (bystander positions), Normaler Betrieb (normal operation)

Nach ISO 7779:1999 (Typprüfung)

Electrostatic discharge

Preventing electrostatic discharge

To prevent damaging the system, be aware of the precautions you need to follow when setting up the system or handling parts. A discharge of static electricity from a finger or other conductor may damage system boards or other static-sensitive devices. This type of damage may reduce the life expectancy of the device.

To prevent electrostatic damage:

- Avoid hand contact by transporting and storing products in static-safe containers.
- Keep electrostatic-sensitive parts in their containers until they arrive at static-free workstations.
- Place parts on a grounded surface before removing them from their containers.
- Avoid touching pins, leads, or circuitry.
- Always be properly grounded when touching a static-sensitive component or assembly.

Grounding methods to prevent electrostatic discharge

Several methods are used for grounding. Use one or more of the following methods when handling or installing electrostatic-sensitive parts:

- Use a wrist strap connected by a ground cord to a grounded workstation or computer chassis. Wrist straps are flexible straps with a minimum of 1 megohm ± 10 percent resistance in the ground cords. To provide proper ground, wear the strap snug against the skin.
- Use heel straps, toe straps, or boot straps at standing workstations. Wear the straps on both feet when standing on conductive floors or dissipating floor mats.
- Use conductive field service tools.
- Use a portable field service kit with a folding static-dissipating work mat.

If you do not have any of the suggested equipment for proper grounding, have an authorized reseller install the part.

For more information on static electricity or assistance with product installation, contact an authorized reseller.

Technical support

HP contact information

For the name of the nearest HP authorized reseller:

- See the Contact HP worldwide (in English) webpage (<http://welcome.hp.com/country/us/en/wwcontact.html>).

For HP technical support:

- In the United States, for contact options see the Contact HP United States webpage (http://welcome.hp.com/country/us/en/contact_us.html). To contact HP by phone:
 - Call 1-800-HP-INVENT (1-800-474-6836). This service is available 24 hours a day, 7 days a week. For continuous quality improvement, calls may be recorded or monitored.
 - If you have purchased a Care Pack (service upgrade), call 1-800-633-3600. For more information about Care Packs, refer to the HP website (<http://www.hp.com/hps>).
- In other locations, see the Contact HP worldwide (in English) webpage (<http://welcome.hp.com/country/us/en/wwcontact.html>).

Before you contact HP

Be sure to have the following information available before you call HP:

- Technical support registration number (if applicable)
- Product serial number
- Product model name and number
- Product identification number
- Applicable error messages
- Add-on boards or hardware
- Third-party hardware or software
- Operating system type and revision level

Customer Self Repair

HP products are designed with many Customer Self Repair (CSR) parts to minimize repair time and allow for greater flexibility in performing defective parts replacement. If during the diagnosis period HP (or HP service providers or service partners) identifies that the repair can be accomplished by the use of a CSR part, HP will ship that part directly to you for replacement. There are two categories of CSR parts:

- **Mandatory**—Parts for which customer self repair is mandatory. If you request HP to replace these parts, you will be charged for the travel and labor costs of this service.

- **Optional**—Parts for which customer self repair is optional. These parts are also designed for customer self repair. If, however, you require that HP replace them for you, there may or may not be additional charges, depending on the type of warranty service designated for your product.

NOTE: Some HP parts are not designed for customer self repair. In order to satisfy the customer warranty, HP requires that an authorized service provider replace the part. These parts are identified as "No" in the Illustrated Parts Catalog.

Based on availability and where geography permits, CSR parts will be shipped for next business day delivery. Same day or four-hour delivery may be offered at an additional charge where geography permits. If assistance is required, you can call the HP Technical Support Center and a technician will help you over the telephone. HP specifies in the materials shipped with a replacement CSR part whether a defective part must be returned to HP. In cases where it is required to return the defective part to HP, you must ship the defective part back to HP within a defined period of time, normally five (5) business days. The defective part must be returned with the associated documentation in the provided shipping material. Failure to return the defective part may result in HP billing you for the replacement. With a customer self repair, HP will pay all shipping and part return costs and determine the courier/carrier to be used.

For more information about HP's Customer Self Repair program, contact your local service provider. For the North American program, refer to the HP website (<http://www.hp.com/go/selfrepair>).

Réparation par le client (CSR)

Les produits HP comportent de nombreuses pièces CSR (Customer Self Repair = réparation par le client) afin de minimiser les délais de réparation et faciliter le remplacement des pièces défectueuses. Si pendant la période de diagnostic, HP (ou ses partenaires ou mainteneurs agréés) détermine que la réparation peut être effectuée à l'aide d'une pièce CSR, HP vous l'envoie directement. Il existe deux catégories de pièces CSR:

Obligatoire - Pièces pour lesquelles la réparation par le client est obligatoire. Si vous demandez à HP de remplacer ces pièces, les coûts de déplacement et main d'œuvre du service vous seront facturés.

Facultatif - Pièces pour lesquelles la réparation par le client est facultative. Ces pièces sont également conçues pour permettre au client d'effectuer lui-même la réparation. Toutefois, si vous demandez à HP de remplacer ces pièces, l'intervention peut ou non vous être facturée, selon le type de garantie applicable à votre produit.

REMARQUE: Certaines pièces HP ne sont pas conçues pour permettre au client d'effectuer lui-même la réparation. Pour que la garantie puisse s'appliquer, HP exige que le remplacement de la pièce soit effectué par un Mainteneur Agréé. Ces pièces sont identifiées par la mention "Non" dans le Catalogue illustré.

Les pièces CSR sont livrées le jour ouvré suivant, dans la limite des stocks disponibles et selon votre situation géographique. Si votre situation géographique le permet et que vous demandez une livraison le jour même ou dans les 4 heures, celle-ci vous sera facturée. Pour bénéficier d'une assistance téléphonique, appelez le Centre d'assistance technique HP. Dans les documents envoyés avec la pièce de rechange CSR, HP précise s'il est nécessaire de lui retourner la pièce défectueuse. Si c'est le cas, vous devez le faire dans le délai indiqué, généralement cinq (5) jours ouvrés. La pièce et sa documentation doivent être retournées dans l'emballage fourni. Si vous ne retournez pas la pièce défectueuse, HP se réserve le droit de vous facturer les coûts de remplacement. Dans le cas d'une pièce CSR, HP supporte l'ensemble des frais d'expédition et de retour, et détermine la société de courses ou le transporteur à utiliser.

Pour plus d'informations sur le programme CSR de HP, contactez votre Mainteneur Agrée local. Pour plus d'informations sur ce programme en Amérique du Nord, consultez le site Web HP (<http://www.hp.com/go/selfrepair>).

Riparazione da parte del cliente

Per abbreviare i tempi di riparazione e garantire una maggiore flessibilità nella sostituzione di parti difettose, i prodotti HP sono realizzati con numerosi componenti che possono essere riparati direttamente dal cliente (CSR, Customer Self Repair). Se in fase di diagnostica HP (o un centro di servizi o di assistenza HP) identifica il guasto come riparabile mediante un ricambio CSR, HP lo spedisce direttamente al cliente per la sostituzione. Vi sono due categorie di parti CSR:

Obbligatorie – Parti che devono essere necessariamente riparate dal cliente. Se il cliente ne affida la riparazione ad HP, deve sostenere le spese di spedizione e di manodopera per il servizio.

Opzionali – Parti la cui riparazione da parte del cliente è facoltativa. Si tratta comunque di componenti progettati per questo scopo. Se tuttavia il cliente ne richiede la sostituzione ad HP, potrebbe dover sostenere spese aggiuntive a seconda del tipo di garanzia previsto per il prodotto.

NOTA: alcuni componenti HP non sono progettati per la riparazione da parte del cliente. Per rispettare la garanzia, HP richiede che queste parti siano sostituite da un centro di assistenza autorizzato. Tali parti sono identificate da un "No" nel Catalogo illustrato dei componenti.

In base alla disponibilità e alla località geografica, le parti CSR vengono spedite con consegna entro il giorno lavorativo seguente. La consegna nel giorno stesso o entro quattro ore è offerta con un supplemento di costo solo in alcune zone. In caso di necessità si può richiedere l'assistenza telefonica di un addetto del centro di supporto tecnico HP. Nel materiale fornito con una parte di ricambio CSR, HP specifica se il cliente deve restituire dei componenti. Qualora sia richiesta la resa ad HP del componente difettoso, lo si deve spedire ad HP entro un determinato periodo di tempo, generalmente cinque (5) giorni lavorativi. Il componente difettoso deve essere restituito con la documentazione associata nell'imballo di spedizione fornito. La mancata restituzione del componente può comportare la fatturazione del ricambio da parte di HP. Nel caso di riparazione da parte del cliente, HP sostiene tutte le spese di spedizione e resa e sceglie il corriere/vettore da utilizzare.

Per ulteriori informazioni sul programma CSR di HP contattare il centro di assistenza di zona. Per il programma in Nord America fare riferimento al sito Web HP (<http://www.hp.com/go/selfrepair>).

Customer Self Repair

HP Produkte enthalten viele CSR-Teile (Customer Self Repair), um Reparaturzeiten zu minimieren und höhere Flexibilität beim Austausch defekter Bauteile zu ermöglichen. Wenn HP (oder ein HP Servicepartner) bei der Diagnose feststellt, dass das Produkt mithilfe eines CSR-Teils repariert werden kann, sendet Ihnen HP dieses Bauteil zum Austausch direkt zu. CSR-Teile werden in zwei Kategorien unterteilt:

Zwingend – Teile, für die das Customer Self Repair-Verfahren zwingend vorgegeben ist. Wenn Sie den Austausch dieser Teile von HP vornehmen lassen, werden Ihnen die Anfahrt- und Arbeitskosten für diesen Service berechnet.

Optional – Teile, für die das Customer Self Repair-Verfahren optional ist. Diese Teile sind auch für Customer Self Repair ausgelegt. Wenn Sie jedoch den Austausch dieser Teile von HP vornehmen lassen möchten, können bei diesem Service je nach den für Ihr Produkt vorgesehenen Garantiebedingungen zusätzliche Kosten anfallen.

HINWEIS: Einige Teile sind nicht für Customer Self Repair ausgelegt. Um den Garantieanspruch des Kunden zu erfüllen, muss das Teil von einem HP Servicepartner ersetzt werden. Im illustrierten Teilekatalog sind diese Teile mit „No“ bzw. „Nein“ gekennzeichnet.

CSR-Teile werden abhängig von der Verfügbarkeit und vom Lieferziel am folgenden Geschäftstag geliefert. Für bestimmte Standorte ist eine Lieferung am selben Tag oder innerhalb von vier Stunden gegen einen Aufpreis verfügbar. Wenn Sie Hilfe benötigen, können Sie das HP technische Support Center anrufen und sich von einem Mitarbeiter per Telefon helfen lassen. Den Materialien, die mit einem CSR-Ersatzteil geliefert werden, können Sie entnehmen, ob das defekte Teil an HP zurückgeschickt werden muss. Wenn es erforderlich ist, das defekte Teil an HP zurückzuschicken, müssen Sie dies innerhalb eines vorgegebenen Zeitraums tun, in der Regel innerhalb von fünf (5) Geschäftstagen. Das defekte Teil muss mit der zugehörigen Dokumentation in der Verpackung zurückgeschickt werden, die im Lieferumfang enthalten ist. Wenn Sie das defekte Teil nicht zurückschicken, kann HP Ihnen das Ersatzteil in Rechnung stellen. Im Falle von Customer Self Repair kommt HP für alle Kosten für die Lieferung und Rücksendung auf und bestimmt den Kurier-/Frachtdienst.

Weitere Informationen über das HP Customer Self Repair Programm erhalten Sie von Ihrem Servicepartner vor Ort. Informationen über das CSR-Programm in Nordamerika finden Sie auf der HP Website unter (<http://www.hp.com/go/selfrepair>).

Reparaciones del propio cliente

Los productos de HP incluyen muchos componentes que el propio usuario puede reemplazar (*Customer Self Repair*, CSR) para minimizar el tiempo de reparación y ofrecer una mayor flexibilidad a la hora de realizar sustituciones de componentes defectuosos. Si, durante la fase de diagnóstico, HP (o los proveedores o socios de servicio de HP) identifica que una reparación puede llevarse a cabo mediante el uso de un componente CSR, HP le enviará dicho componente directamente para que realice su sustitución. Los componentes CSR se clasifican en dos categorías:

- **Obligatorio:** componentes para los que la reparación por parte del usuario es obligatoria. Si solicita a HP que realice la sustitución de estos componentes, tendrá que hacerse cargo de los gastos de desplazamiento y de mano de obra de dicho servicio.
- **Opcional:** componentes para los que la reparación por parte del usuario es opcional. Estos componentes también están diseñados para que puedan ser reparados por el usuario. Sin embargo, si precisa que HP realice su sustitución, puede o no conllevar costes adicionales, dependiendo del tipo de servicio de garantía correspondiente al producto.

NOTA: Algunos componentes no están diseñados para que puedan ser reparados por el usuario. Para que el usuario haga valer su garantía, HP pone como condición que un proveedor de servicios autorizado realice la sustitución de estos componentes. Dichos componentes se identifican con la palabra "No" en el catálogo ilustrado de componentes.

Según la disponibilidad y la situación geográfica, los componentes CSR se enviarán para que lleguen a su destino al siguiente día laborable. Si la situación geográfica lo permite, se puede solicitar la entrega en el mismo día o en cuatro horas con un coste adicional. Si precisa asistencia técnica, puede llamar al Centro de asistencia técnica de HP y recibirá ayuda telefónica por parte de un técnico. Con el envío de materiales para la sustitución de componentes CSR, HP especificará si los componentes defectuosos deberán devolverse a HP. En aquellos casos en los que sea necesario devolver algún componente a HP, deberá hacerlo en el periodo de tiempo especificado, normalmente cinco días laborables. Los componentes defectuosos deberán devolverse con toda la documentación relacionada y con el embalaje de envío. Si no enviara el componente defectuoso requerido, HP podrá cobrarle por el de sustitución. En

el caso de todas sustituciones que lleve a cabo el cliente, HP se hará cargo de todos los gastos de envío y devolución de componentes y escogerá la empresa de transporte que se utilice para dicho servicio.

Para obtener más información acerca del programa de Reparaciones del propio cliente de HP, póngase en contacto con su proveedor de servicios local. Si está interesado en el programa para Norteamérica, visite la página web de HP siguiente (<http://www.hp.com/go/selfrepair>).

Customer Self Repair

Veel onderdelen in HP producten zijn door de klant zelf te repareren, waardoor de reparatieduur tot een minimum beperkt kan blijven en de flexibiliteit in het vervangen van defecte onderdelen groter is. Deze onderdelen worden CSR-onderdelen (Customer Self Repair) genoemd. Als HP (of een HP Service Partner) bij de diagnose vaststelt dat de reparatie kan worden uitgevoerd met een CSR-onderdeel, verzendt HP dat onderdeel rechtstreeks naar u, zodat u het defecte onderdeel daarmee kunt vervangen. Er zijn twee categorieën CSR-onderdelen:

Verplicht: Onderdelen waarvoor reparatie door de klant verplicht is. Als u HP verzoekt deze onderdelen voor u te vervangen, worden u voor deze service reiskosten en arbeidsloon in rekening gebracht.

Optioneel: Onderdelen waarvoor reparatie door de klant optioneel is. Ook deze onderdelen zijn ontworpen voor reparatie door de klant. Als u echter HP verzoekt deze onderdelen voor u te vervangen, kunnen daarvoor extra kosten in rekening worden gebracht, afhankelijk van het type garanteservice voor het product.

OPMERKING: Sommige HP onderdelen zijn niet ontwikkeld voor reparatie door de klant. In verband met de garantievoorwaarden moet het onderdeel door een geautoriseerde Service Partner worden vervangen. Deze onderdelen worden in de geïllustreerde onderdelencatalogus aangemerkt met "Nee".

Afhankelijk van de leverbaarheid en de locatie worden CSR-onderdelen verzonden voor levering op de eerstvolgende werkdag. Levering op dezelfde dag of binnen vier uur kan tegen meerkosten worden aangeboden, indien dit mogelijk is gezien de locatie. Indien assistentie gewenst is, belt u een HP Service Partner om via de telefoon technische ondersteuning te ontvangen. HP vermeldt in de documentatie bij het vervangende CSR-onderdeel of het defecte onderdeel aan HP moet worden geretourneerd. Als het defecte onderdeel aan HP moet worden teruggezonden, moet u het defecte onderdeel binnen een bepaalde periode, gewoonlijk vijf (5) werkdagen, retourneren aan HP. Het defecte onderdeel moet met de bijbehorende documentatie worden geretourneerd in het meegeleverde verpakkingsmateriaal. Als u het defecte onderdeel niet terugzendt, kan HP u voor het vervangende onderdeel kosten in rekening brengen. Bij reparatie door de klant betaalt HP alle verzendkosten voor het vervangende en geretourneerde onderdeel en kiest HP zelf welke koerier/transportonderneming hiervoor wordt gebruikt.

Neem contact op met een Service Partner voor meer informatie over het Customer Self Repair programma van HP. Informatie over Service Partners vindt u op de HP website (<http://www.hp.com/go/selfrepair>).

Reparo feito pelo cliente

Os produtos da HP são projetados com muitas peças para reparo feito pelo cliente (CSR) de modo a minimizar o tempo de reparo e permitir maior flexibilidade na substituição de peças com defeito. Se, durante o período de diagnóstico, a HP (ou fornecedores/parceiros de serviço da HP) concluir que o reparo pode ser efetuado pelo uso de uma peça CSR, a peça de reposição será enviada diretamente ao cliente. Existem duas categorias de peças CSR:

Obrigatória – Peças cujo reparo feito pelo cliente é obrigatório. Se desejar que a HP substitua essas peças, serão cobradas as despesas de transporte e mão-de-obra do serviço.

Opcional – Peças cujo reparo feito pelo cliente é opcional. Essas peças também são projetadas para o reparo feito pelo cliente. No entanto, se desejar que a HP as substitua, pode haver ou não a cobrança de taxa adicional, dependendo do tipo de serviço de garantia destinado ao produto.

OBSERVAÇÃO: Algumas peças da HP não são projetadas para o reparo feito pelo cliente. A fim de cumprir a garantia do cliente, a HP exige que um técnico autorizado substitua a peça. Essas peças estão identificadas com a marca "No" (Não), no catálogo de peças ilustrado.

Conforme a disponibilidade e o local geográfico, as peças CSR serão enviadas no primeiro dia útil após o pedido. Onde as condições geográficas permitirem, a entrega no mesmo dia ou em quatro horas pode ser feita mediante uma taxa adicional. Se precisar de auxílio, entre em contato com o Centro de suporte técnico da HP para que um técnico o ajude por telefone. A HP especifica nos materiais fornecidos com a peça CSR de reposição se a peça com defeito deve ser devolvida à HP. Nos casos em que isso for necessário, é preciso enviar a peça com defeito à HP dentro do período determinado, normalmente cinco (5) dias úteis. A peça com defeito deve ser enviada com a documentação correspondente no material de transporte fornecido. Caso não o faça, a HP poderá cobrar a reposição. Para as peças de reparo feito pelo cliente, a HP paga todas as despesas de transporte e de devolução da peça e determina a transportadora/serviço postal a ser utilizado.

Para obter mais informações sobre o programa de reparo feito pelo cliente da HP, entre em contato com o fornecedor de serviços local. Para o programa norte-americano, visite o site da HP (<http://www.hp.com/go/selfrepair>).

顧客自己修理保証サービス

修理時間を短縮し、故障部品の交換における高い柔軟性を確保するために、HP製品には多数の顧客自己修理（CSR）部品があります。診断の際に、CSR部品を使用すれば修理ができるとHP（HPまたはHP正規保守代理店）が判断した場合、HPはその部品を直接、お客様に発送し、お客様に交換していただきます。CSR部品には以下の2通りがあります。

- **必須** - 顧客自己修理が必須の部品。当該部品について、もしもお客様がHPに交換作業を依頼される場合には、その修理サービスに関する交通費および人件費がお客様に請求されます。
- **任意** - 顧客自己修理が任意である部品。この部品も顧客自己修理用です。当該部品について、もしもお客様がHPに交換作業を依頼される場合には、お買い上げの製品に適用される保証サービス内容の範囲内においては、別途費用を負担していただくことなく保証サービスを受けることができます。

注：HP製品の一部の部品は、顧客自己修理用ではありません。製品の保証を継続するためには、HPまたはHP正規保守代理店による交換作業が必須となります。部品カタログには、当該部品が顧客自己修理除外品である旨が記載されています。

部品供給が可能な場合、地域によっては、CSR部品を翌営業日に届くように発送します。また、地域によっては、追加費用を負担いただくことにより同日または4時間以内に届くように発送することも可能な場合があります。サポートが必要なときは、HPの修理受付窓口へ電話していただければ、技術者が電話でアドバイスします。交換用のCSR部品または同梱物には、故障部品をHPに返送する必要があるかどうかが表示されています。故障部品をHPに返送する必要がある場合は、指定期限内（通常は5営業日以内）に故障部品をHPに返送してください。故障部品を返送する場合は、届いた時の梱包箱に関連書類とともに入れてください。故障部品を返送しない場合、HPから部品費用が請求されます。顧客自己修理の際には、HPは送料および部品返送費を全額負担し、使用する宅配便会社や運送会社を指定します。

客户自行维修

HP 产品提供许多客户自行维修 (CSR) 部件，以尽可能缩短维修时间和在更换缺陷部件方面提供更大的灵活性。如果在诊断期间 HP（或 HP 服务提供商或服务合作伙伴）确定可以通过使用 CSR 部件完成维修，HP 将直接把该部件发送给您进行更换。有两类 CSR 部件：

- **强制性的** — 要求客户必须自行维修的部件。如果您请求 HP 更换这些部件，则必须为该服务支付差旅费和人工费用。
- **可选的** — 客户可以选择是否自行维修的部件。这些部件也是为客户自行维修设计的。不过，如果您要求 HP 为您更换这些部件，则根据为您的产品指定的保修服务类型，HP 可能收取或不再收取任何附加费用。

注：某些 HP 部件的设计并未考虑客户自行维修。为了满足客户保修的需要，HP 要求授权服务提供商更换相关部件。这些部件在部件图解目录中标记为“否”。

CSR 部件将在下一个工作日发运（取决于备货情况和允许的地理范围）。在允许的地理范围内，可在当天或四小时内发运，但要收取额外费用。如果需要帮助，您可以致电 HP 技术支持中心，将会有技术人员通过电话为您提供帮助。HP 会在随更换的 CSR 部件发运的材料中指明是否必须将有缺陷的部件返还给 HP。如果要求您将有缺陷的部件返还给 HP，那么您必须在指定期限内（通常是五 (5) 个工作日）将缺陷部件发给 HP。有缺陷的部件必须随所提供的发运材料中的相关文件一起返还。如果未能送还有缺陷的部件，HP 可能会要求您支付更换费用。客户自行维修时，HP 将承担所有相关运输和部件返回费用，并指定快递商/承运商。

有关 HP 客户自行维修计划的详细信息，请与您当地的服务提供商联系。有关北美地区的计划，请访问 HP 网站 (<http://www.hp.com/go/selfrepair>)。

客戶自行維修

HP 產品設計了許多「客戶自行維修」(CSR) 的零件以減少維修時間，並且使得更換瑕疵零件時能有更大的彈性。如果在診斷期間 HP (或 HP 服務供應商或維修夥伴) 辨認出此項維修工作可以藉由使用 CSR 零件來完成，則 HP 將直接寄送該零件給您作更換。CSR 零件分為兩種類別：

- **強制的** — 客戶自行維修所使用的零件是強制性的。如果您要求 HP 更換這些零件，HP 將會向您收取此服務所需的外出費用與勞動成本。
- **選購的** — 客戶自行維修所使用的零件是選購的。這些零件也設計用於客戶自行維修之用。不過，如果您要求 HP 為您更換，則可能需要也可能不需要負擔額外的費用，端視針對此產品指定的保固服務類型而定。

備註：某些 HP 零件沒有消費者可自行維修的設計。為符合客戶保固，HP 需要授權的服務供應商更換零件。這些零件在圖示的零件目錄中，被標示為「否」。

基於材料取得及環境允許的情況下，CSR 零件將於下一個工作日以快遞寄送。在環境的允許下當天或四小時內送達，則可能需要額外的費用。若您需要協助，可致電「HP 技術支援中心」，會有一位技術人員透過電話來協助您。不論損壞的零件是否必須退回，HP 皆會在與 CSR 替換零件一起運送的材料中註明。若要將損壞的零件退回 HP，您必須在指定的一段時間內（通常為五 (5) 個工作天），將損壞的零件寄回 HP。損壞的零件必須與寄送資料中隨附的相關技術文件一併退還。如果無法退還損壞的零件，HP 可能向您收取替換費用。針對客戶自行維修情形，HP 將負責所有運費及零件退還費用並指定使用何家快遞/貨運公司。

如需 HP 的「客戶自行維修」方案詳細資訊，請連絡您當地的服務供應商。至於北美方案，請參閱 HP 網站 (<http://www.hp.com/go/selfrepair>)。

고객 셀프 수리

HP 제품은 수리 시간을 최소화하고 결함이 있는 부품 교체 시 더욱 융통성을 발휘할 수 있도록 하기 위해 고객 셀프 수리(CSR) 부품을 다량 사용하여 설계되었습니다. 진단 기간 동안 HP(또는 HP 서비스 공급업체 또는 서비스 협력업체)에서 CSR 부품을 사용하여 수리가 가능하다고 판단되면 HP는 해당 부품을 바로 사용자에게 보내어 사용자가 교체할 수 있도록 합니다. CSR 부품에는 두 가지 종류가 있습니다.

- **고객 셀프 수리가 의무 사항인 필수 부품.** 사용자가 HP에 이 부품의 교체를 요청할 경우 이 서비스에 대한 출장비 및 작업비가 청구됩니다.
- **고객 셀프 수리가 선택 사항인 부품.** 이 부품들도 고객 셀프 수리가 가능하도록 설계되었습니다. 하지만 사용자가 HP에 이 부품의 교체를 요청할 경우 사용자가 구입한 제품에 해당하는 보증 서비스 유형에 따라 추가 비용 없이 교체가 가능할 수 있습니다.

참고: 일부 HP 부품은 고객 셀프 수리가 불가능하도록 설계되었습니다. HP는 만족스러운 고객 보증을 위해 공인 서비스 제공업체를 통해 부품을 교체하도록 하고 있습니다. 이러한 부품들은 Illustrated Parts Catalog에 "No"라고 표시되어 있습니다.

CSR 부품은 재고 상태와 지리적 조건이 허용하는 경우 다음 영업일 납품이 가능하도록 배송이 이루어집니다. 지리적 조건이 허용하는 경우 추가 비용이 청구되는 조건으로 당일 또는 4시간 배송이 가능할 수도 있습니다. 도움이 필요하시면 HP 기술 지원 센터로 전화하십시오. 전문 기술자가 전화로 도움을 줄 것입니다. HP는 결함이 발생한 부품을 HP로 반환해야 하는지 여부를 CSR 교체 부품과 함께 배송된 자료에 지정합니다. 결함이 발생한 부품을 HP로 반환해야 하는 경우에는 지정된 기간 내(통상 영업일 기준 5일)에 HP로 반환해야 합니다. 이 때 결함이 발생한 부품은 제공된 포장 재료에 넣어 관련 설명서와 함께 반환해야 합니다. 결함이 발생한 부품을 반환하지 않는 경우 HP가 교체 부품에 대해 비용을 청구할 수 있습니다. 고객 셀프 수리의 경우, HP는 모든 운송 및 부품 반환 비용을 부담하며 이용할 운송업체 및 택배 서비스를 결정합니다.

HP 고객 셀프 수리 프로그램에 대한 자세한 내용은 가까운 서비스 제공업체에 문의하십시오. 북미 지역의 프로그램에 대해서는 HP 웹 사이트(<http://www.hp.com/go/selfrepair>)를 참조하십시오.

Acronyms and abbreviations

ACU

Array Configuration Utility

AMP

Advanced Memory Protection

ATX

advanced technology extended

BBWC

battery-backed write cache

BIOS

Basic Input/Output System

BMC

baseboard management controller

CMOS

complementary metal-oxide semiconductor

DAT

digital audio tape

DDR

double data rate

DIMM

dual inline memory module

DLT

digital linear tape

ECC

error checking and correcting

FBWC

flash-backed write cache

IEC

International Electrotechnical Commission

ISP

Internet service provider

KVM

keyboard, video, and mouse

LO100i

HP Lights-Out 100 Remote Management processors

NEMA

National Electrical Manufacturers Association

NFPA

National Fire Protection Association

NMI

non-maskable interrupt

NVRAM

non-volatile memory

ORCA

Option ROM Configuration for Arrays

PCI

peripheral component interface

PCI Express

Peripheral Component Interconnect Express

PCIe

peripheral component interconnect express

PCI-X

peripheral component interconnect extended

PDU

power distribution unit

POST

Power-On Self Test

PPM

processor power module

RAID

redundant array of inexpensive (or independent) disks

RDIMM

Registered Dual In-line Memory Module

ROM

read-only memory

SAS

serial attached SCSI

SATA

serial ATA

SCSI

small computer system interface

SGPIO

serial general input/output

STD

standard USB

TMRA

recommended ambient operating temperature

TPM

trusted platform module

UDIMM

Unregistered Dual In-Line Memory Module

UID

unit identification

USB

universal serial bus

Index

A

access panel 16
acoustics statement for Germany 99
air baffle 16
airflow requirements 20
audio 81
authorized reseller 90, 101
authorized technician 57
auto-configuration process 50

B

battery 11, 70, 93, 98
battery-backed write cache (BBWC) 12, 38
BBWC cabling 46
BIOS Serial Console 51
BIOS upgrade 51
blue screen event 11
BSMI notice 97
buttons 6

C

cables 37, 45, 54, 95
cables, troubleshooting 54
cabling 45, 46, 47, 48, 49
cabling, server 45
Canadian notice 96
cautions 57
cautions, electrical 57
cautions, power cord 57
cautions, ventilation 57
common problem resolution 54
components 6, 8, 9
configuration of system 50
configuration procedures 22
connection problems 54, 83
connectors 6, 8
contacting HP 90, 91, 101
controller board, installing 37
crash dump analysis 11

D

DAT drives 73
data recovery 73, 76
Declaration of Conformity 95
diagnosing problems 54, 58
Diagnostic Adapter 82
diagnostic steps 58
diagnostic tools 51
DIMM installation guidelines 25
DIMM population guidelines 25
DIMM slots 25
DIMMs 24, 25, 55
DIMMs, installation 26
disposal, waste 96
downloading files 101
drive failure, detecting 73, 74
drivers 53, 90

E

electrical grounding requirements 21
electrostatic discharge 100
enabling, Trusted Platform Module (TPM) 44
environmental requirements 19
error messages 86
European Union notice 96
expansion board 34, 35
expansion slots 9
external device problems 80

F

fans 12
FCC (Federal Communications Commission)
notice 94, 95
FCC rating label 94
features 6
Federal Communications Commission (FCC)
notice 94, 95
firmware 88
firmware upgrade utility, troubleshooting 54
firmware, updating 54
firmware, upgrading 54
firmware, version 74, 89

flash ROM 88
front panel buttons 6
front panel components 6
front panel LEDs 6

G

grounding methods 100
grounding requirements 21

H

hard drive blanks 27
hard drive, removing 27
hard drive, replacing 28
hard drives 26, 27, 28, 55
hard drives, adding 29
hard drives, installing 28
hard drives, moving 76, 77
hardware options 23
hardware options installation 22, 23
hardware problems 68, 71
hardware troubleshooting 70
health LEDs 11
help resources 101
HP Insight Diagnostics 51
HP Optional Installation Services 19
HP website 101

I

identification number 94
identifying components 6
Important Safety Information document 56
information required 90, 91
Insight Diagnostics 53
installing operating system 22
internal cables 45
internal health LED 6
internal system problems 72

J

Japanese notice 97

K

keyboard 81
Korean notices 98

L

laser devices 98

LEDs 6, 70
LEDs, troubleshooting 54, 58
Linux 87, 92
LO100 management 51
LO100i Remote Management 51
loose connections 54

M

memory 23, 24
memory dump 11
memory subsystem architecture 23
Microsoft operating systems 91
modems 82, 83
mouse 81

N

network controllers 85
NMI switch 11

O

operating system crash 86
operating system problems 86
operating systems 22, 86, 87, 91
optical drive 33
optimum environment 19
options installation 22, 23

P

passwords 44
PCI boards 72
PCI expansion slot definitions 9
PCI riser board assembly 16, 17
PCI slots 15
phone numbers 90, 101
power cord 57, 99
power distribution unit (PDU) 21
power LEDs, system 12
Power On/Standby button 6, 15
power problems 68, 69
power requirements 21
power source 69
power supplies 69
powering down 15
powering up 15, 50
PPM (processor power module) 79
PPM failure LEDs 79
PPM slots 79
preparation procedures 15

preparing the server for diagnosis 58
problem diagnosis 54, 55, 58
processors 78

R

rack installation 22
rack resources 19
rack stability 57
RBSU (ROM-Based Setup Utility) 52
rear panel buttons 8
rear panel LEDs 8
registering the server 22
regulatory compliance notices 94, 96
removing server from rack 15
required information 91, 101
resetting the system 11
restoring 86
ROM-Based Setup Utility (RBSU) 44, 52
ROMPaq utility 51, 89

S

safety considerations 22, 56
SAS device numbers 7
SAS drives 55
SAS hard drive LED cable 37
SAS/SATA backplane 11
SATA hard drive 55, 77
serial number 52
series number 94
server cabling 45
server features and options 23
service notifications 54
short circuits 79
site requirements 20
software 85
software problems 85
software troubleshooting 87, 88
space requirements 20
static electricity 100
storage controller 37
Subscriber's Choice 53
switches 11
symbols on equipment 56
symptom information 58
system board battery 93, 98
system board LEDs 11
system components 6
system maintenance switch 9, 10, 11
system power LED 6, 12

T

Taiwan battery recycling notice 99
technical support 90, 101
telephone numbers 90, 101
temperature requirements 20
third-party devices 72
TPM (Trusted Platform Module) 76
troubleshooting 54
troubleshooting, firmware upgrade utility 54
Trusted Platform Module (TPM) 42, 44, 76

U

UID LED 6, 8, 11
unknown problem 70
updating drivers 53, 90
updating firmware 53, 89
updating the operating system 86
updating the system ROM 88
UPS (uninterruptible power supply) 21, 70
utilities 50, 85

V

ventilation 19
video problems 81

W

warnings 22, 57
website, HP 101