

# UCube™

Compact USB Digital Speakers



Quick Start User Guide



**Quick Start User Guide is also available on our website:  
[www.ultralinkproducts.com/ucube](http://www.ultralinkproducts.com/ucube)**

This product is intended for use solely with the USB and RCA cables provided.

Thank you for purchasing the UCube™ Compact USB Digital Speakers. These personal, portable desktop speakers offer incredible sound in a small package. UCube speakers create a sonic impression like nothing you've experienced before. At just over 3-inches square they'll fill your listening space with vibrant and dynamic sound for music, video, movies and your favorite computer games.

## **Package Includes**

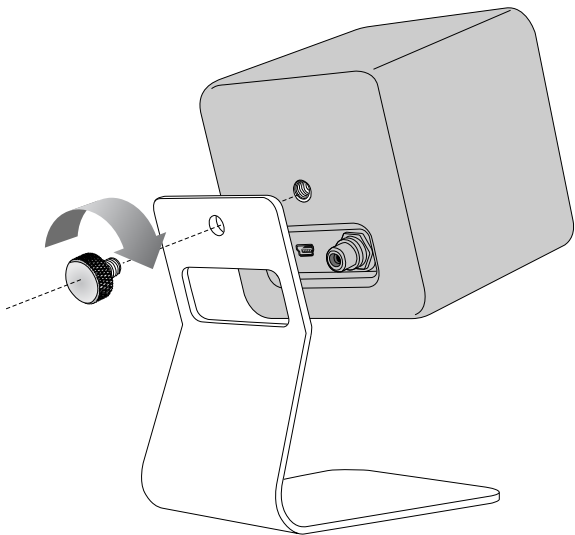
One pair UCube USB Digital Speakers  
One pair brushed aluminum desktop speaker stands  
1 x 1-Meter (3.28 ft.) USB 2.0 cable  
1 x 1-Meter (3.28 ft.) RCA audio cable  
Quick start user guide  
Warranty guide

## **Features**

- Powered via USB port (500mA)
- Digital input via computer USB port
- Ultra-efficient Digital Signal Processing (DSP) amplifier
- Wideband BMR (Balanced Mode Radiator) driver
- 30W (2 x 15 Watts RMS) equivalent power output
- Extremely wide listening angles up to 170 degrees

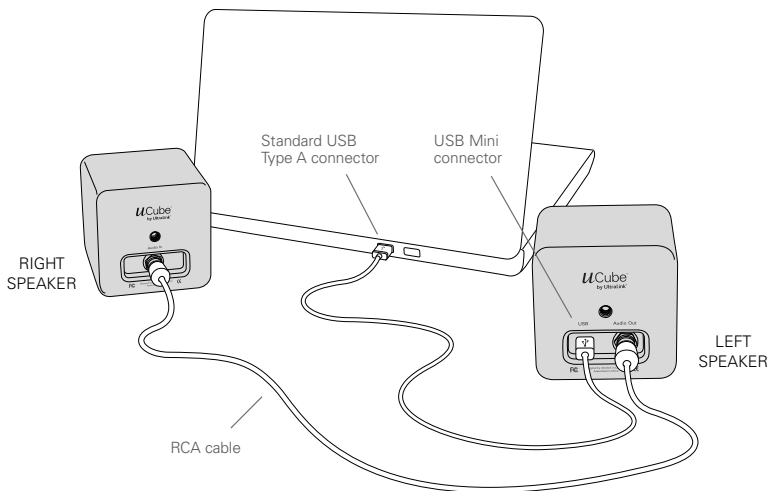
## UCube Speaker Set-Up

- 1) Read the enclosed Product Safety and Warranty Information
- 2) Remove the USB and RCA cables, then the speakers and stands
- 3) Place your UCube speakers on a level surface
- 4) Mount speakers to stands by using the screws provided [see illustration]
- 5) Place the speakers on either side of the computer
- 6) Connect the included RCA cable between the LEFT and RIGHT speaker



7) Connect the USB cable between your notebook or desktop computer and the left speaker ensuring both cables are fully inserted

**NOTE:** The speaker with both USB and RCA connectors is the LEFT audio channel regardless of what side your computer's USB port is installed.



## Optimum Speaker Placement

For best performance place the speakers equidistant from the computer. Begin with UCubes aimed straight ahead and slowly turn them in towards you (also known as toe-in). Find just the right balance of truly startling focus and the width of the overall sound. You'll be surprised to hear that sound doesn't seem to come from the UCubes but from all around!

## Computer System Setup

Your computer should recognize UCubes for immediate use. In the event this does not occur follow these steps.

### On the Mac OSX

- 1) Click on the **Apple menu** in the top left corner of the display
- 2) Choose **System Preferences** then select **Sound**
- 3) Click the **Output** tab and select **Digital Out**. (Settings required only the first time you connect; your Mac will automatically recognize UCubes and revert to these settings the next time you plug them in).

### On the PC

#### Windows XP

- 1) Connect UCubes to your computer's USB port
- 2) Click on the **Start** button
- 3) Click on **Control Panel**
- 4) Click on **Sounds and Audio Devices**
- 5) Click on the **Audio Tab**
- 6) Ensure UFi UCubes is listed as the Sound Playback Default Device
- 7) If UFi UCubes is not the default, click the **drop-down menu** and select it

#### Windows 7

- 1) Right click on the **volume** icon
- 2) Choose **Playback Devices**
- 3) Select UFi speakers
- 4) Click **OK**

## Technical Specifications

- Dimensions: 3.25" x 3.25" x 3.25"
- (82.55mm x 82.55mm x 82.55mm)
- 1 x High Performance BMR driver
- 1 x Mini USB port
- 1 x RCA Audio connector

## Performance

- Bandwidth (-6dB points)
- 100 Hz – 18 kHz
- Sensitivity 83dB at 1W/1m
- Nominal impedance 8 ohms
- Calculated maximum SPL 96dB at 1m



## IMPORTANT CUSTOMER CARE SAFETY INSTRUCTIONS

### IMPORTANT

Please read all instructions before proceeding. If you have any questions about the operation or use of this product please contact our technical support for assistance at (909) 947-6960.

### PRODUCT SAFETY

This unit was designed and manufactured to ensure personal safety. Improper use can result in potential electrical shock or fire hazards. Please retain these instructions for future reference.

The lightning flash with arrowhead symbol within an equilateral triangle is intended to alert the user to the presence of non-isolated dangerous voltage within the product's enclosure that may be of sufficient magnitude to constitute a risk of electric shock.



### CAUTION:

To prevent the risk of electric shock do not remove enclosure or disassemble. No user-serviceable parts inside. Refer servicing to qualified service personnel. The exclamation point within an equilateral triangle is intended to alert the user to the presence of important operating, maintenance and servicing instructions in the literature associated with the device.



## IMPORTANT CUSTOMER CARE SAFETY INSTRUCTIONS

### **WARNING:**

To reduce the risk of fire or electric shock, do not expose UCubes to rain or moisture.

### **IMPORTANT SAFETY INSTRUCTIONS**

- Do not use UCube speakers near water
- Do not place objects filled with liquids on or near speakers
- Clean with soft, dry cloth
- Do not place UCubes near any heat sources such as radiators, stoves or other heat-generating products including open flames
- Use the RCA and USB cables supplied with the speakers
- Disconnect speakers during lightning storms or when unused for extended periods
- Refer all service-related issues to qualified service personnel

## LIMITED WARRANTY

Ultralink Products, Inc. warrants this product free of defects in materials and workmanship for a period of one (1) year from the original date of purchase, so long as the device is used in a non-commercial application. This warranty applies only to the original purchaser and is non-transferable. If the product fails within the warranty period a copy of the original bill of sale (receipt) must be submitted. Ultralink will repair or replace the product at its sole discretion free of charge.

Ultralink Products, Inc. will repair or replace at their discretion any UCube speakers which fail to operate as designed and specified during the warranty period. Failure to follow directions contained in the Quick Start User's Guide will void this warranty. Additionally, any Warranty Seal broken or removed from the product shall cause all warranties to become null and void.

This warranty does not cover computers and software that may be used with the product. Ultralink Products, Inc. shall not be liable for any data loss or incidental or consequential damages related to this product.

Replacement of any UCube speaker under warranty by either an Authorized Dealer or by Ultralink does not constitute a new warranty, but will be deemed an exchange under the original warranty. Likewise, replacement of a defective unit by an Authorized Dealer does not imply acceptance of any liability on the part of Ultralink.

This warranty is the sole warranty of UCube speakers. Any implied warranties, including the implied warranty of merchantability or fitness for a particular purpose, are limited in duration to the term of this warranty. Some states do not allow limitations on how long an implied warranty lasts so the above limitations may not apply to you.

Ultralink Products, Inc. will not be held liable for incidental or consequential damages such as, but not limited to, lost business or profits arising out of the sale or use of any UCube product. This warranty gives you specific legal rights, and you may also have other rights, which vary from state to state. Some states do not allow the exclusion or limitation of incidental or consequential damage so the above limitations may not apply to you.

NOTE: This warranty does not cover any units that have been used in a commercial environment or any unit that has been damaged by dropping, tampering, servicing performed or attempted by unauthorized service agencies, misuse or abuse.

## WARRANTY SERVICE

If your UCube speaker appears to have a defect in materials or workmanship or is not performing as designed please return it to the dealer where purchased, along with a copy of the original bill-of-sale or receipt for warranty exchange. Once the defect is verified, your dealer will exchange the damaged unit for a new one.

### Canada:

Ultralink Products, Inc.  
Markham, Ontario Canada L3R 3L1  
Tel: (905) 479-2831

### U.S.A.

Ultralink/XLO Products, Inc.  
Ontario, CA U.S.A. 91761  
Tel: (909) 947-6960

English