

# Verint Camera Mounting Selection Reference Guide

January 26, 2015



# About this Guide

The Verint Camera Mounting Selection Guide is designed to be a quick and comprehensive guide for users seeking detailed mounting information on any Verint IP Camera.

In some instances, such as dome cameras, the standard package already includes in the required accessories for standard mounting. For example, if you install a V3320FD-DN Indoor Dome Camera to a drywall or drop-ceiling surface, no other mounting adapter is required. However, if you wanted a 90° Wall Mount or a Pendant Mount for the V3320FD-DN, you would reference this guide to see which additional mounting accessory(s) you would need to complete the installation.

This guide offers information to assist you in choosing the correct mounting configuration and ordering information for Verint IP Cameras:

- Pictures of each camera in each available mounting configuration
- Ordering Chart that presents exactly which camera and mount combination will achieve the desired result
- Mechanical drawings of every Verint IP camera and mounting adapter

For standard mounting instructions, refer to the following:

- V-Series Mounting and Installation Guide
- V3320 Series User Guide
- V4320 Series User Guide
- S5120/5250 User Guide
- V5620 PTZ User Guide

# S5120BX-DN and S5250BX-DN Box Cameras

The S5120BX-DN and S5250BX-DN are box cameras, which must be ordered separately, on the front and the connections on the back. Like many other traditional cameras, the S5120BX-DN and S5250BX-DN lines are equipped with top and bottom 1/4" x 20 threaded mounts, which are compatible with 99.9% of mounts and enclosures designed for box cameras. Likewise, these cameras have CS lens mounts and standard auto-iris connector ports — making them compatible with most lenses available in the security market today. (Note that the S5250BX-DN-L1 does include a megapixel rated wide varifocal lens. It is the only Verint box camera that ships with a lens.)

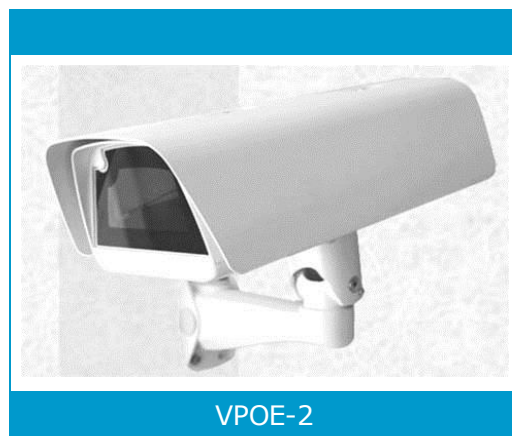
For basic indoor mounting, these box cameras can be used with hundreds of different arms and mounts. Verint does not provide its own line of mounts for these box cameras due to the wide selection available on the market today.

For outdoor mounting, the S5120BX-DN and S5250BX-DN can be used with a variety of different enclosures. Verint offers a single enclosure (the VPOE-2) with mounting brackets and sunshield that is environmentally-rated and works with the S5120BX-DN and S5250BX-DN. If you choose a third-party enclosure, please be sure that the housing's internal dimensions can accommodate the camera. All Verint box cameras have the following dimensions: 152.9mm (6.02") L x 55.1mm ( 2.17") H x 71.6mm (2.82") W.

## Note

This does not include the length of any lens you install, nor extra space needed for for the connections on the rear of the camera and the auto-iris connector on the side of the camera.

Mounting Type	What to Order
Outdoor Wall	VPOE-2



# S5120FD-DN and S5250FD-DN Indoor Dome Cameras

The S5120FD-DN is a 1080p 2MP Indoor Dome camera featuring H.264 compression, and a motorized lens for remote zoom and focus.

The S5250FD-DN is similar, but offers 5 MP resolution. Both the S5120FD-DN and S5250FD-DN are surface mount, and offer recess mount, pendant mount and wall mount capabilities with optional mounting kits.

Mounting Type	What to Order
Wall	WM-S51FD
In-ceiling	IC-S51-S52
Pendant	PM-S51FD <sup>1</sup>

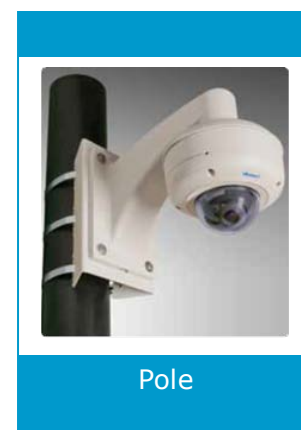
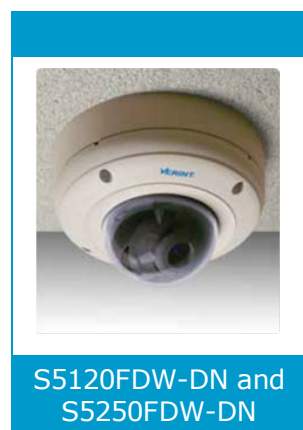


<sup>1</sup>Male 3/4" NPT Pipe not supplied by Verint.

# S5120FDW-DN and S5250FDW-DN Outdoor Dome Cameras

The S5120FDW-DN and S5250FDW-DN IP cameras offer multi-megapixel performance in a versatile, vandal resistant and weatherized dome housing. A variety of mounting options make these dome cameras easy to install in nearly any environment.

Mounting Type	What to Order
Wall	<ol style="list-style-type: none"><li>1. WM-S50FDW</li><li>2. PM-S51-S52-FDW</li></ol>
Pendant Mount Option 1	<ol style="list-style-type: none"><li>1. PM-S51-S52-FDW</li><li>2. PP-S50FDW</li><li>3. PB-S50FDW</li></ol>
Pendant Mount Option 2	PM-S51-S52-FDW <sup>1</sup>
Corner	<ol style="list-style-type: none"><li>1. CM-S50FDW</li><li>2. PM-S51-S52-FDW</li><li>3. WM-S50FDW</li></ol>
Pole	<ol style="list-style-type: none"><li>1. PL-S50FDW</li><li>2. PM-S51-S52-FDW</li><li>3. WM-S50FDW</li></ol>



<sup>1</sup>1.5" BST Female pipe not supplied by Verint.

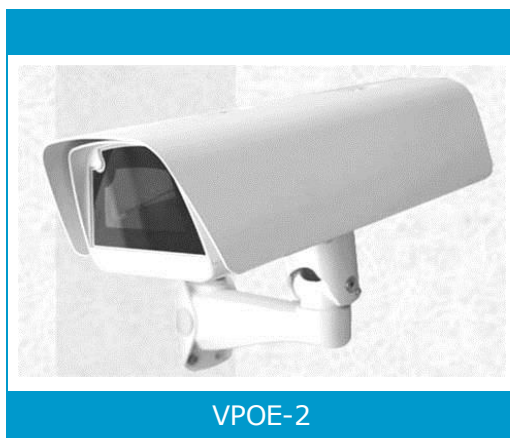
# V3320BX-DN and V4320BX-DN Box Cameras

The V3320BX-DN offers 1080p resolution at a great price. The V4320BX-DN also offers 1080p resolution, but with the latest WDR technology that delivers stunning images in both dynamic and low light scenes. Both cameras are equipped with top and bottom 1/4" x 20 threaded mounts.

For basic indoor mounting, these cameras can be used with many different arms and mounts available on the market. For outdoor mounting, Verint offers the VPOE-2 enclosure with mounting brackets and sunshield, or you can use any compatible third party housing that will accommodate the box camera dimensions – 139.5 mm (5.49") L x 82 mm (3.2" ) W x 52 mm (2.0") H.

**Note**  
This does not include the length of any lens you install, nor extra space needed for for the connections on the rear of the camera and the auto-iris connector on the side of the camera.

Mounting Type	What to Order
Outdoor Wall	VPOE-2



# V3320FD-DN and V4320FD-DN Indoor Dome Cameras

The V3320FD-DN offers 1080p resolution and IR LED illumination in a compact indoor dome camera at a great price. The V4320FD-DN offers these same features, but also includes cutting-edge WDR performance as well as a motorized lens for real-time remote-zoom and auto-focus. Both models are surface mountable by default, but are compatible with various mounting kits in order to pendant, wall or recess mount the cameras. Verint also offers a "Dummy" version of the V3320FD-DN which is the DMY-V3320FD and which does not have any internal electronics. The DMY-V3320FD is fully compatible with all of the mounts listed.

Mounting Type	What to Order
Indoor Wall	WM-V33-43FD
In-ceiling	IC-V33-43FD
Pendant	PM-V33-43FD <sup>1</sup>



<sup>1</sup>Male 3/4" NPT or Female 1.5" NPT pipe not supplied by Verint.

# V3320FDW-DN and V4320FDW-DN Vandal Dome Cameras

The V3320FDW-DN offers 1080p resolution and IR LED illumination in a weatherized, vandal resistant enclosure that provides a great balance between robustness and value. The V4320FDW-DN offers similar features, but also includes cutting-edge WDR performance as well as a motorized lens for real-time remote-zoom and auto-focus. Both models are surface mountable by default, but are compatible with available pendant and wall mounts.

Mounting Type	What to Order
Wall	1. PM2-V33-43FDW 2. WM-V33-43FDW (long version) or WM-S-V33-43FDW (short version)
In-ceiling	IC-V33-43FDW
Pendant	PM-V33-43FDW <sup>1</sup>
Corner	1. CM-V5620PTZ 2. WM-V33-43FDW (long version) or WM-S-V33-43FDW (short version)
Pole	1. PL-V5620PTZ 2. WM-V33-43FDW (long version) or WM-S-V33-43FDW (short version)



<sup>1</sup>Male 3/4" NPT or Female 1.5" NPT pipe not supplied by Verint.



# V3320RD Cameras

The Verint V3320RD is a 1080p 2MP Recess Mount Indoor Dome with an optional Pendant Mount option. The V3320RD comes with three fixed focal lens options—2.5mm, 3.4mm or 6.0mm.

Mounting Type	What to Order
Pendant	PM-V3320RD

## Angle, FoV and Pixel Density Chart<sup>1</sup>

Camera Model	Lens	Angle	Camera to Object Distance (meters (feet))							
			Horizontal FoV				Horizontal Pixel Density - Pixels/meters (feet)			
			3m (10ft)	4.5m (15ft)	6.1m (20ft)	12.2m (40ft)	3m (10ft)	4.5m (15ft)	6.1m (20ft)	12.2m (40ft)
V3320RD-L2	2.5mm	98.1°	6.6 m (21.6ft)	9.3m (30.6ft)	12.2m (39.9ft)	23.8m (78ft)	292 (89)	206 (63)	158 (48)	81 (25)
V3320RD-L3	3.4mm	80.0°	2.5m (17.1ft)	7.4m (24.2ft)	9.6m (31.5ft)	18.8m (61.6ft)	368 (112)	260 (79)	200 (61)	102 (31)
V3320RD-L6	6.0mm	51.3°	3.2m (10.4ft)	4.5m (14.7ft)	5.8m (19.1ft)	11.4m (37.4ft)	606 (185)	429 (131)	330 (101)	168 (51)



<sup>1</sup>All values on this chart are approximate. The FoV and Pixel Density values may change slightly depending on the angle of view of camera placement. This chart is not indicative that all objects at all distances will be within each model's depth of focus.

# V5620PTZ PTZ Cameras

The V5620 is a true 1080p High Definition IP PTZ cameras with 18× or 30× zoom in an indoor and outdoor options.

The V5620PTZ indoor version is surface mount, and has available pendant, wall, corner and recess mounts.

The V5620PTZ outdoor version is pendant mount, and has available wall and corner mounts.



To assist you in understanding the part number nomenclature of the V5620PTZ, please reference the following chart:

**V5620 PTZ Nomenclature**

Example Part Number: **V56****20**PTZ-**18****DW**-**C**

**V56** = V56 Series  
**20** = 1080p 2 megapixel resolution  
PTZ = Pan/Tilt/Zoom  
**18** = 18× optical zoom or **30** = 30× optical zoom  
**DW** = Outdoor vandal dome or **ID** = Indoor dome  
**C** = Clear bubble

# V5620PTZ-18ID-C/V5620PTZ-30ID-C Indoor PTZ

The V5620PTZ surface mount indoor PTZ features 1080p 2 megapixel high definition performance, 18x or 30x optical zoom.

The V5620PTZ-18ID-C accepts UL listed 802.3at type 2 class 4 PoE power input, as well as 24V AC. For more information on the power supply, see ["V5620 PTZ Power Supply Options" \(page 13\)](#).

Mounting Type	What to Order
Surface	V5620PTZ-18ID-C or V5620PTZ-30ID-C
In-ceiling	IC-V5620PTZ
Pendant	1. PM-V5620PTZ 2. NPT-V5620PTZ <sup>1</sup>
Wall	1. PM-V5620PTZ 2. WM-V5620PTZ (long version) or WM-S-V5620PTZ (short version)



<sup>1</sup>Female 1.5" or Male 3/4" NPT pipe not supplied by Verint

# V5620PTZ-18DW-C/V5620PTZ-30DW-C Outdoor PTZ

The V5620PTZ outdoor model can use either a UL listed PoE ultra 60W power injector or a UL listed 24V AC 3A power supply. For the PoE ultra, Verint suggests using the Microsemi (formerly known as PowerDsine) PD-9501G/AC PoE ultra injector. This injector has been tested with the camera in all of its operating condition. For more information on the power supply, see "[V5620 PTZ Power Supply Options](#)" (page 13).

The V5620PTZ outdoor PTZ features 1080p 2 megapixel high definition performance, 18× or 30× optical zoom and a blower and heater for in climate weather conditions. The included sunshield deflects the hot sun from the camera and also serves to keep water from dripping down the bubble surface. The V5620PTZ can be mounted pendant style, or with available adapters can be mounted to poles, wall or corner mount styles.

Mounting Type	What to Order
Pendant	Female 1.5" or Male 3/4" NPT pipe <sup>1</sup>
Wall	WM-V5620PTZ or WM-S-V5620PTZ
Corner	1. CM-V5620PTZ 2. WM-V5620PTZ
Pole	1. WM-V5620PTZ 2. PL-V5620PTZ



<sup>1</sup>Female 1.5" or Male 3/4" NPT pipe not supplied by Verint

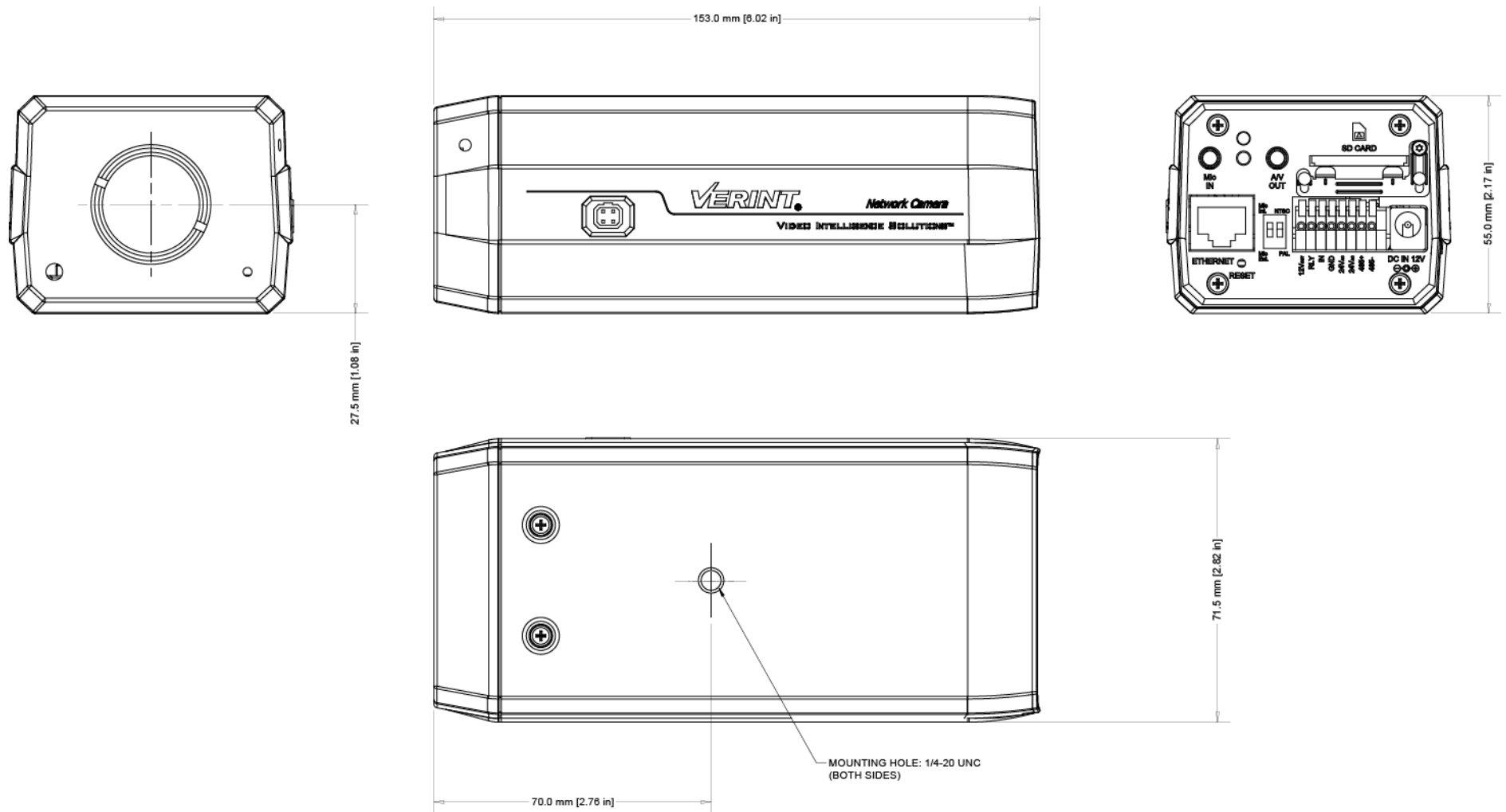
# V5620 PTZ Power Supply Options

There are several different power supply options for the V5620PTZ depending on the model and region. Please reference the chart below to choose the power supply that best meets your needs.

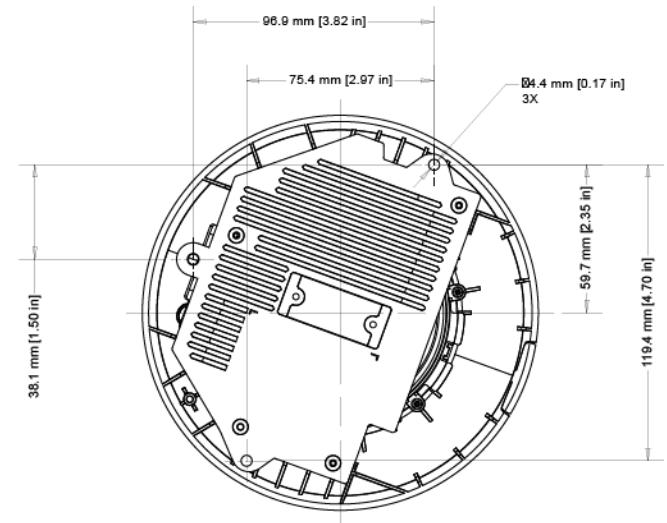
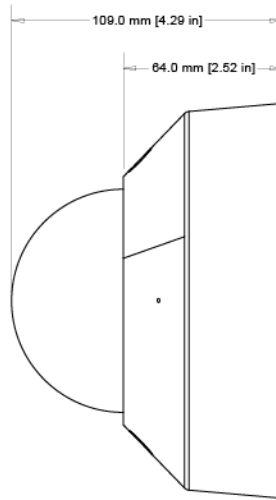
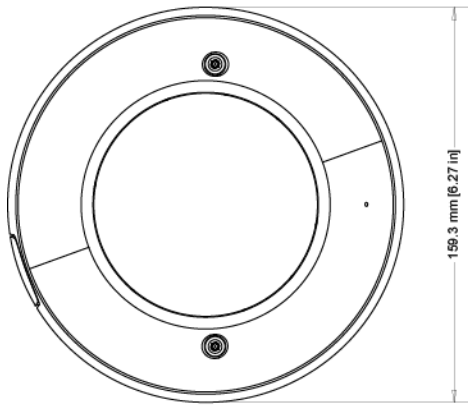
Camera Type	Region	Type	Part Number	Description
Indoor using 24VAC	NA	120VAC/24VAC 1.25A	PS-24VAC-30-US	Power Supply; Linear; Wall Mount; NA; 120VACIN; 60Hz; 24VAC- 1.25A; 30VA; Efficiency Level IV Compliant; UL; ROHS
	EU	220VAC/24VAC 1.5A (36W)	PS2440-EU	Power Supply; 220VIN; 24VACOUT; 1.5A; 50 Hz; Desktop (Built-In Power Cord); Europe; CE; ROHS
	UK	220VAC/24VAC 1.5A (36W)	PS2440-UK	Power Supply; 220VIN; 24VACOUT; 1.5A; 50Hz; Desktop (Built-In Power Cord); United Kingdom; CE,GS; ROHS
Indoor using PoE+	NA	PoE+ NA	PS34POE	Power Supply Kit PoE+ (IEEE 802.3at Compliant); 90~264VAC Input; 33.6W Output Power; Desktop; North America; RoHS
	EU	PoE+ EU	PS34POE-EU	Power Supply Kit PoE+ (IEEE 802.3at Compliant); 90~264VAC Input; 33.6W Output Power; Desktop; European; RoHS
	UK	PoE+ UK	PS34POE-UK	Power Supply Kit PoE+ (IEEE 802.3at Compliant); 90~264VAC Input; 33.6W Output Power; Desktop; UK; RoHS
Outdoor using 24VAC	NA	Transfo 120VAC-24VAC 75VA	PS-24VAC-75	Power Supply; 120VAC, 24 VAC Output; 3.13A-75VA; Output Screw Terminals; Include Mounting Blade For Electric Gang Box
	EU	Transfo 230VAC-24VAC 105VA	PS-24VAC-105-EU	Power Adapter; 230VAC 50Hz Input, 24VAC 4.37A Output; Built-in Power Cord w/ Euro Plug; Stripped Tinned output wires; CE; RoHS
Outdoor using PoE ultra 60W	NA, EU	PoE ultra 60W	PD-9501G/AC <sup>1</sup>	Single port Gigabit Midspan, PoE injector 60W over 4-pairs, 100 to 240VAC input, 54-57Vdc 60W output, UL, RoHS

<sup>1</sup>This product is not available from Verint.

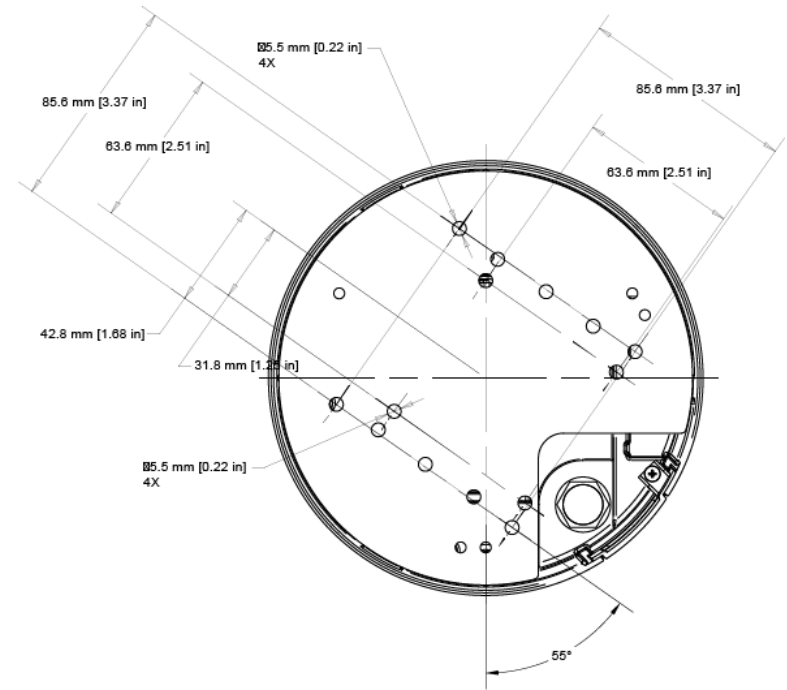
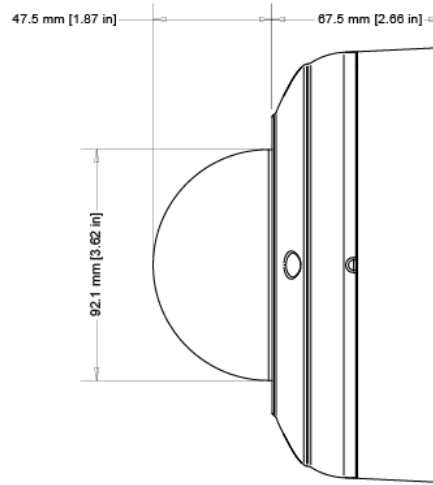
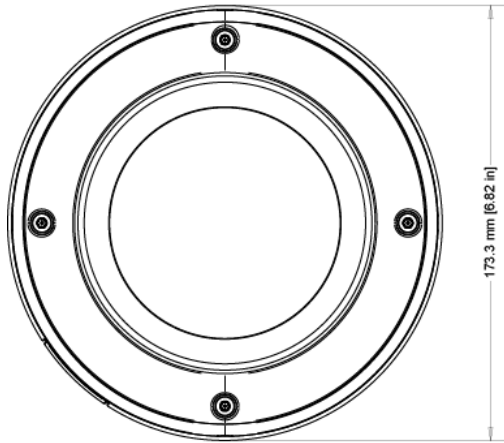
# S5120BX-DN and S5250BX-DN



# S5120FD-DN

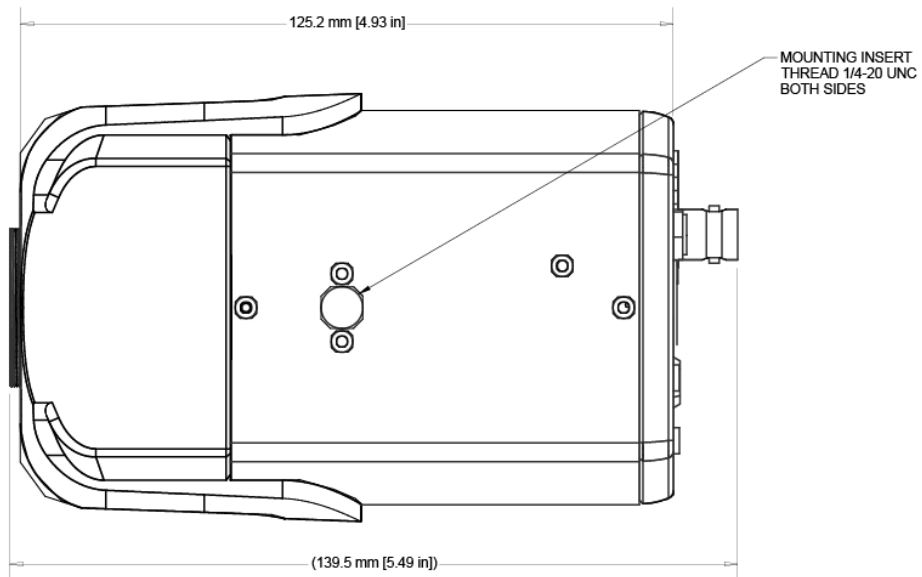
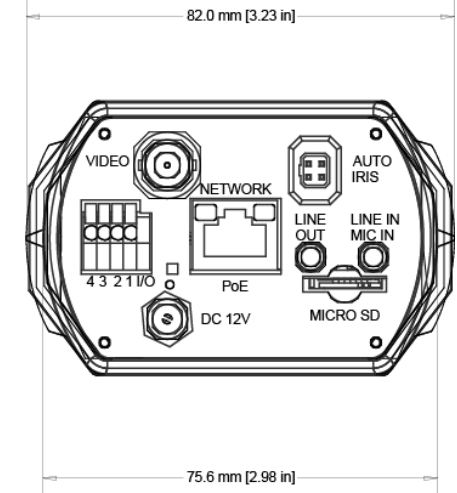
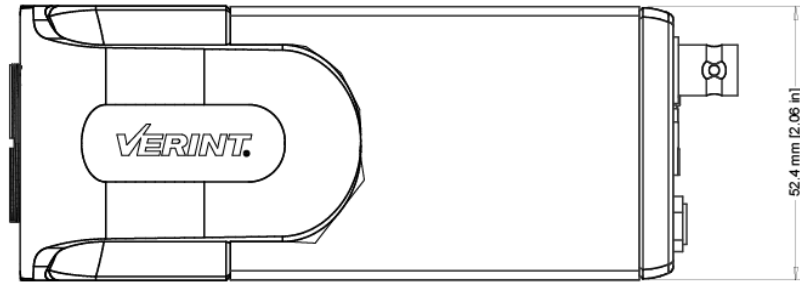
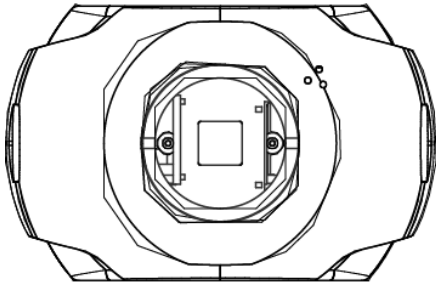


# S5120FDW-DN and S5250FDW-DN

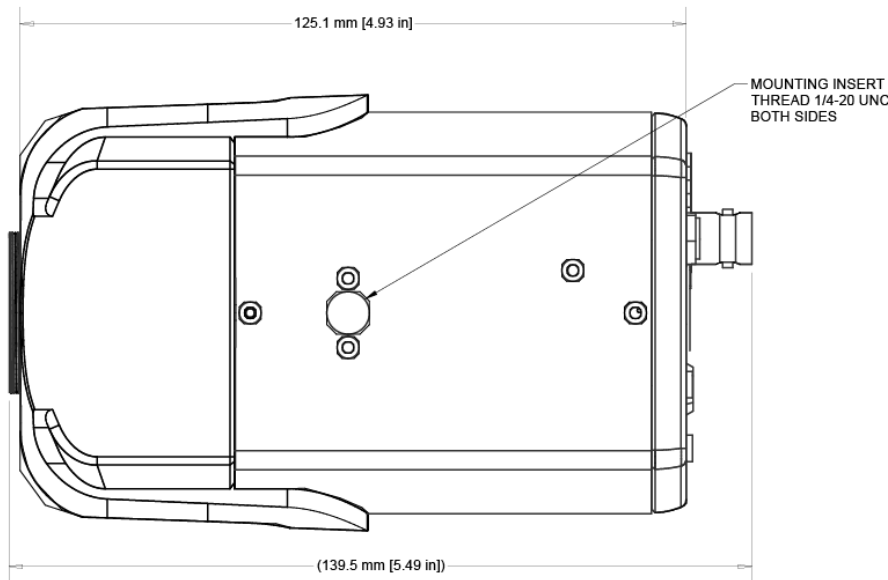
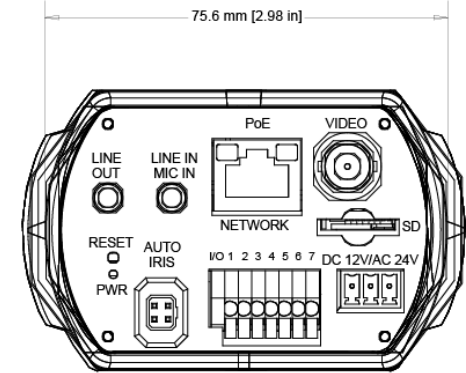
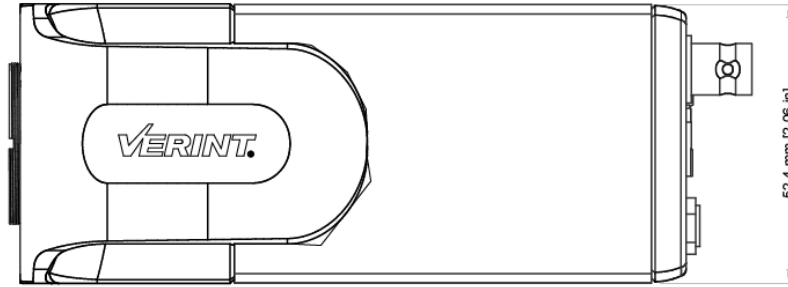
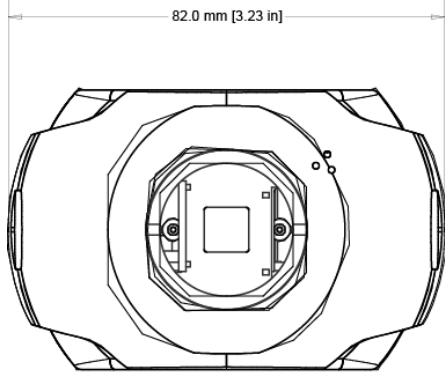




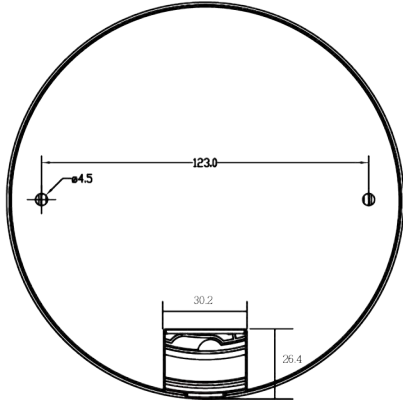
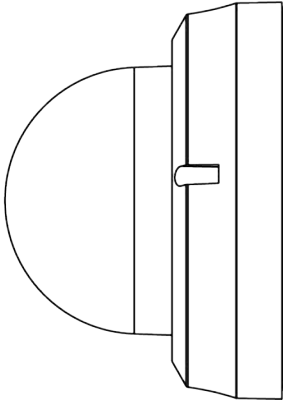
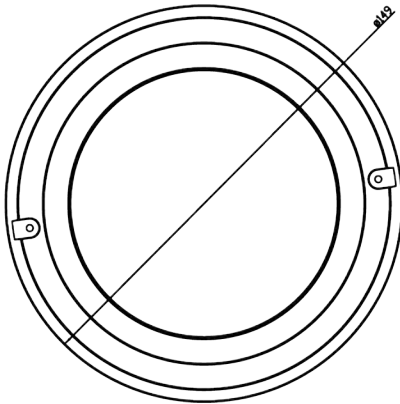
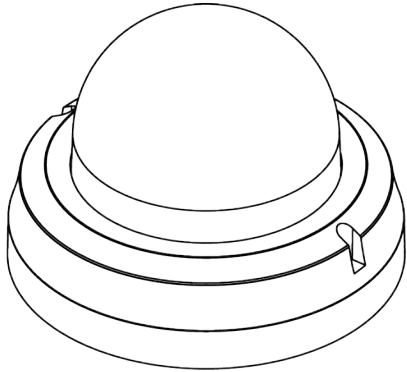
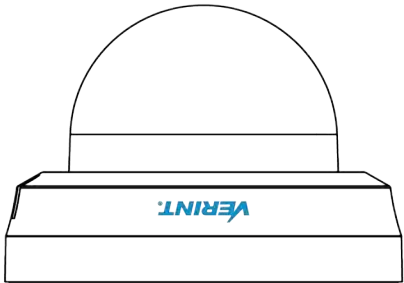
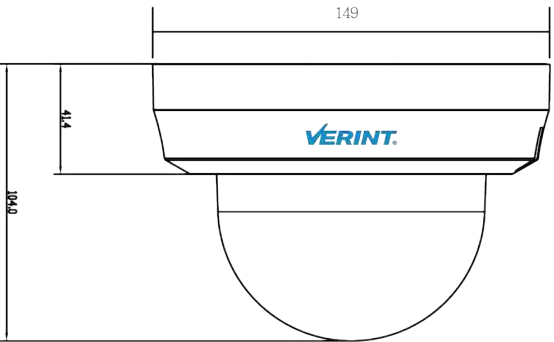
# V3320BX-DN



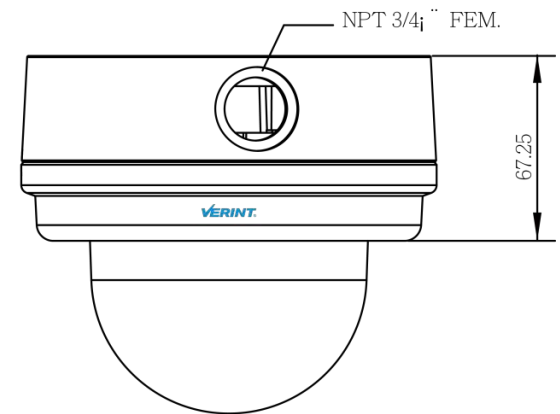
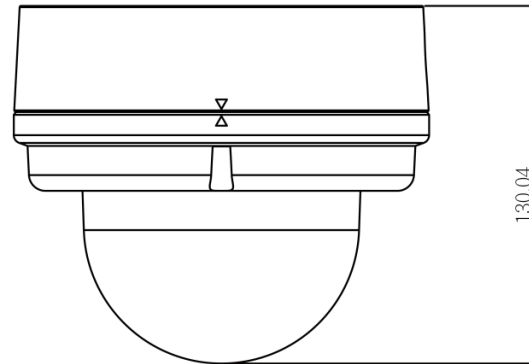
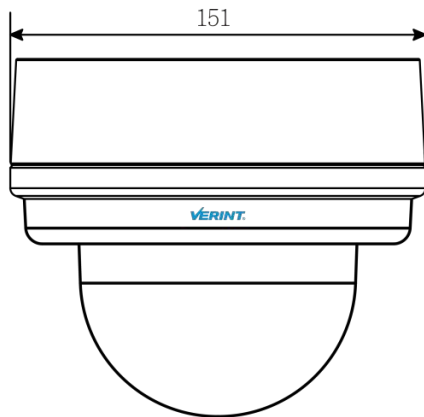
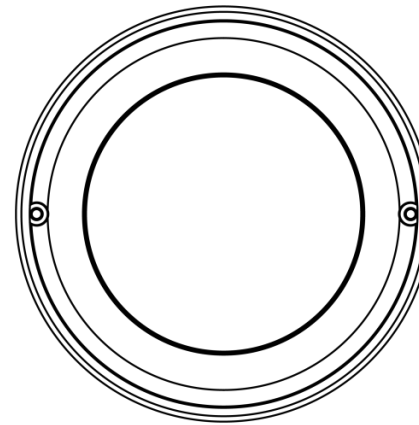
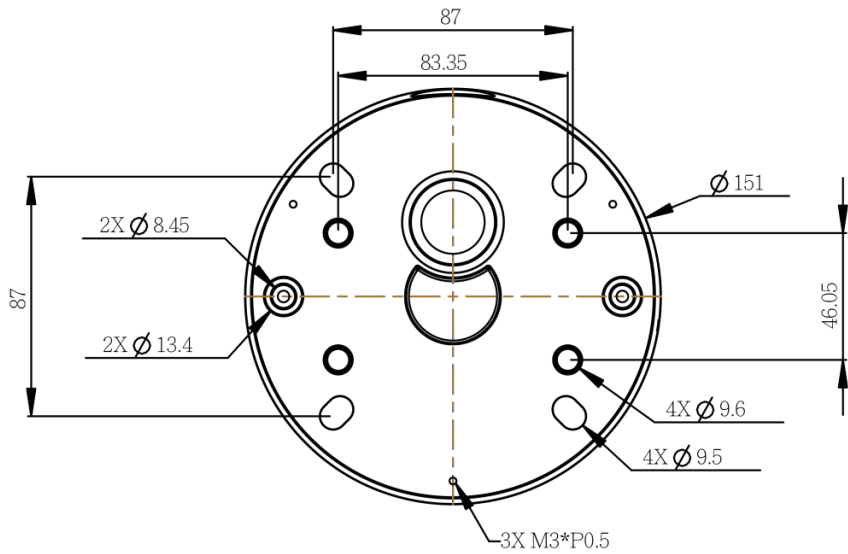
# V4320BX-DN



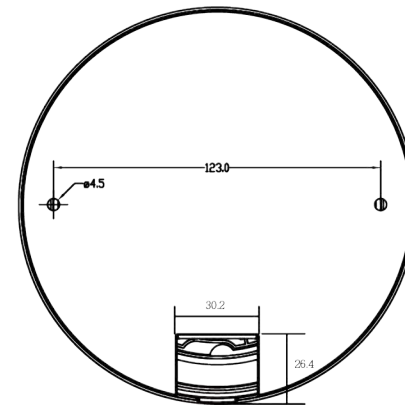
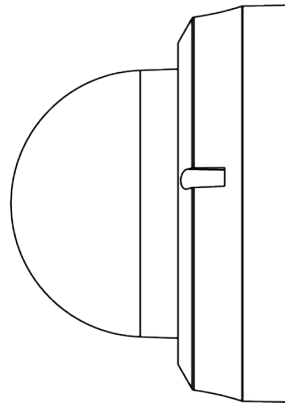
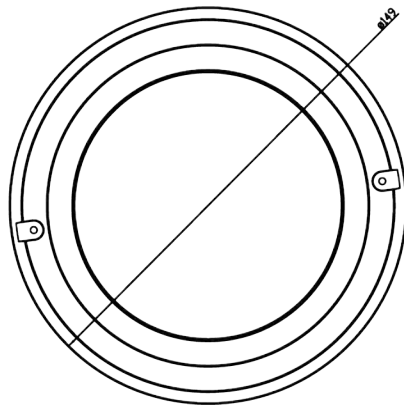
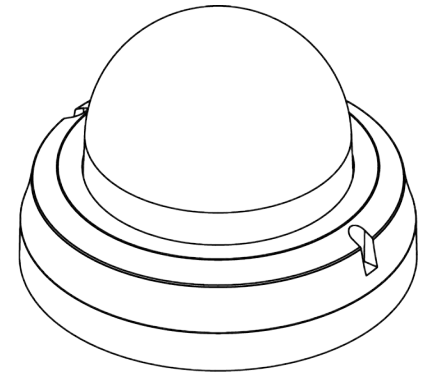
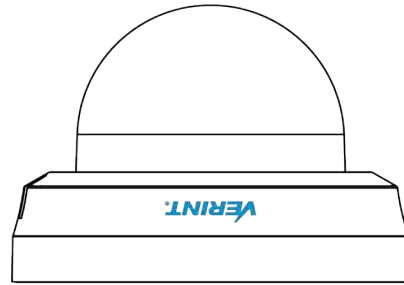
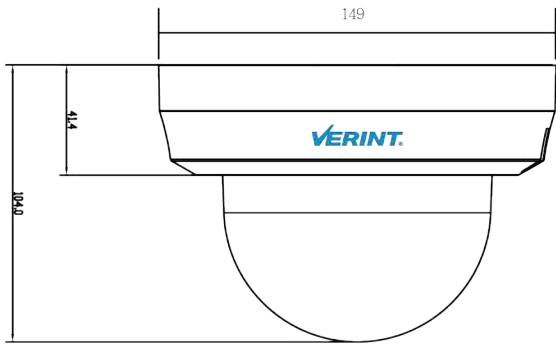
# V3320FD-DN/V4320FD-DN



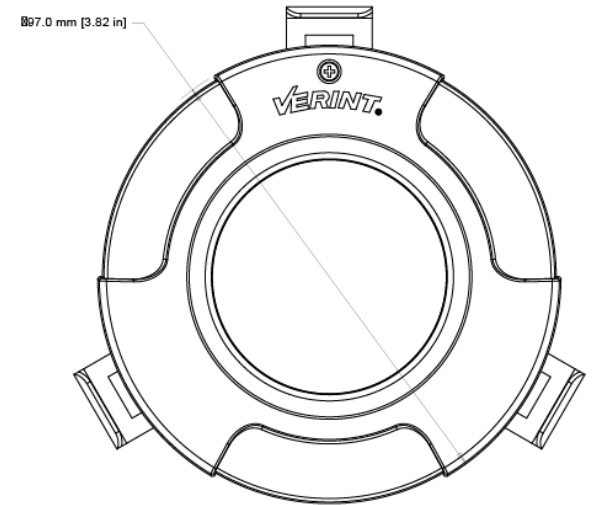
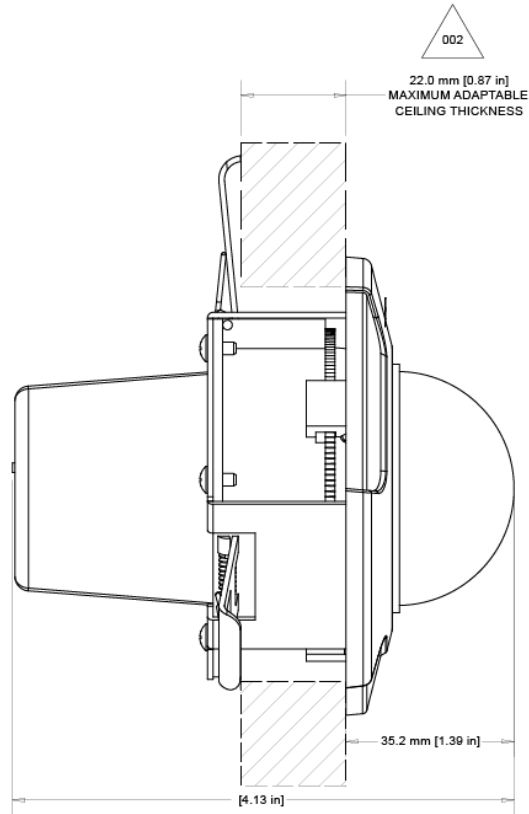
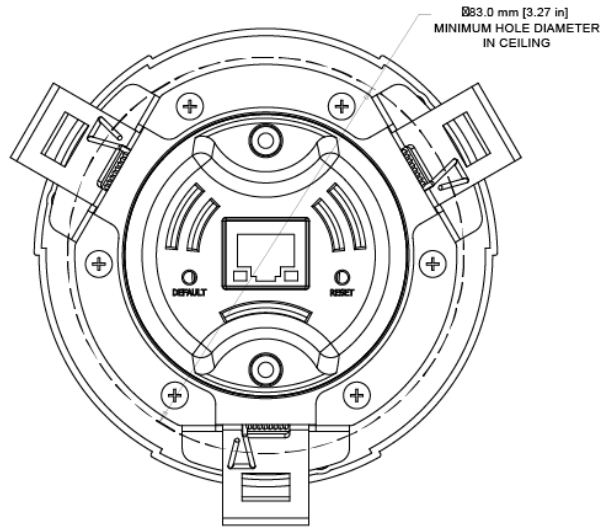
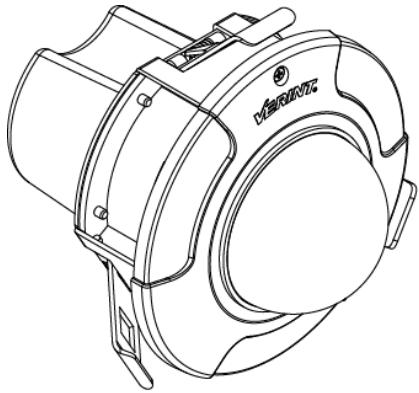
# V3320FDW-DN/V4320FDW-DN



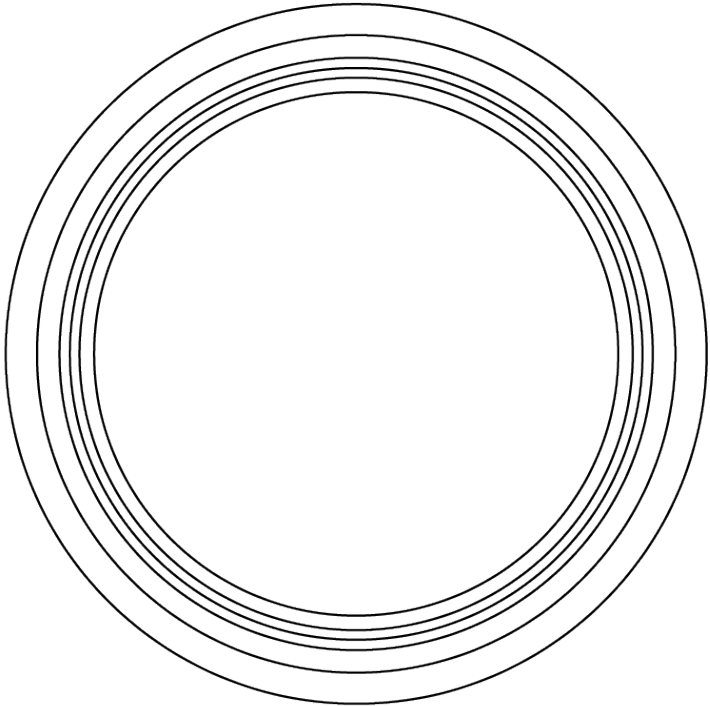
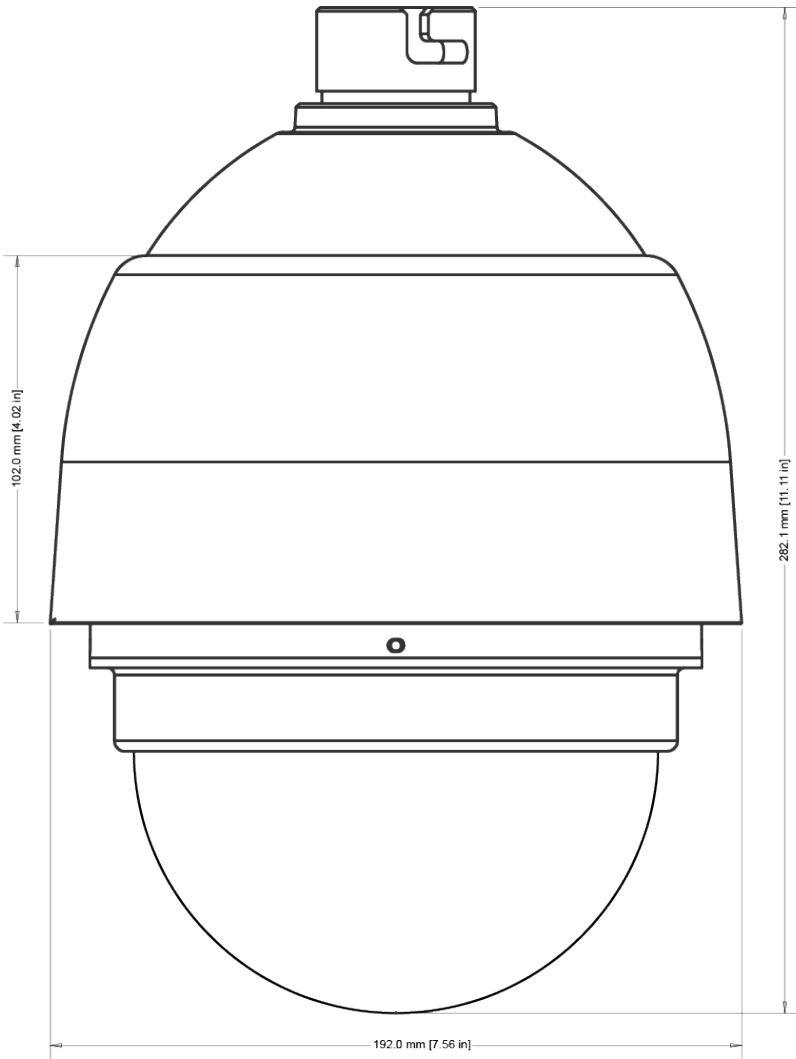
# DMY2-V3320FD



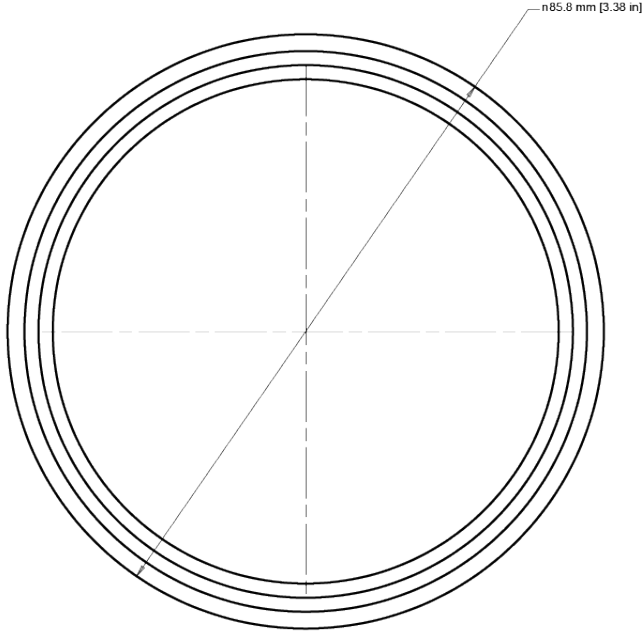
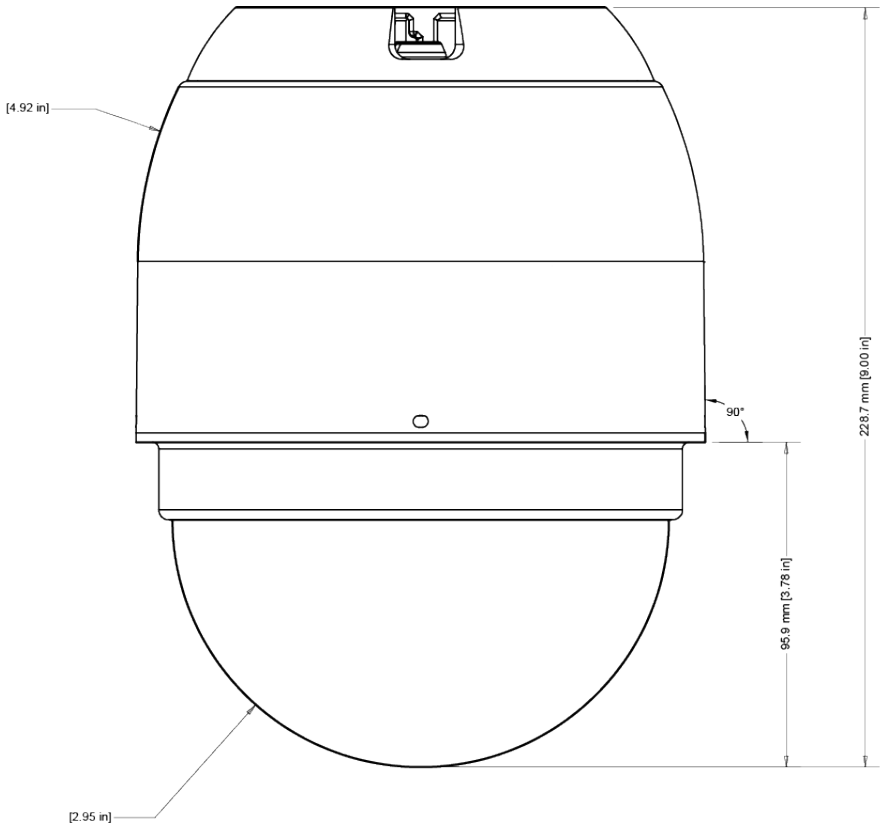
# V3320RD-L2, V3320RD-L3, V3320RD-L6



# V5620PTZ Outdoor 1080p PTZ Camera



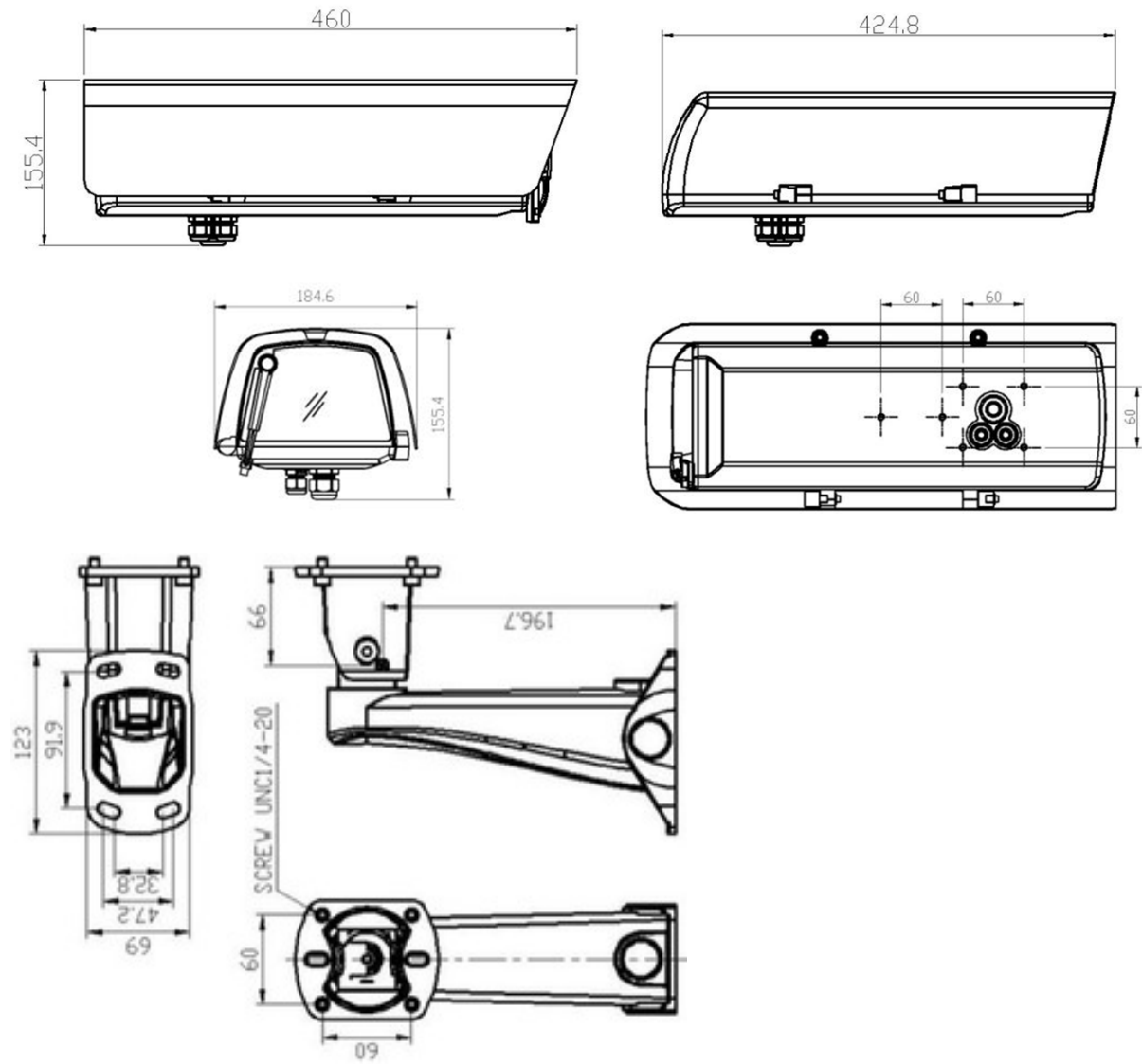
# V5620PTZ Indoor 1080p PTZ Camera





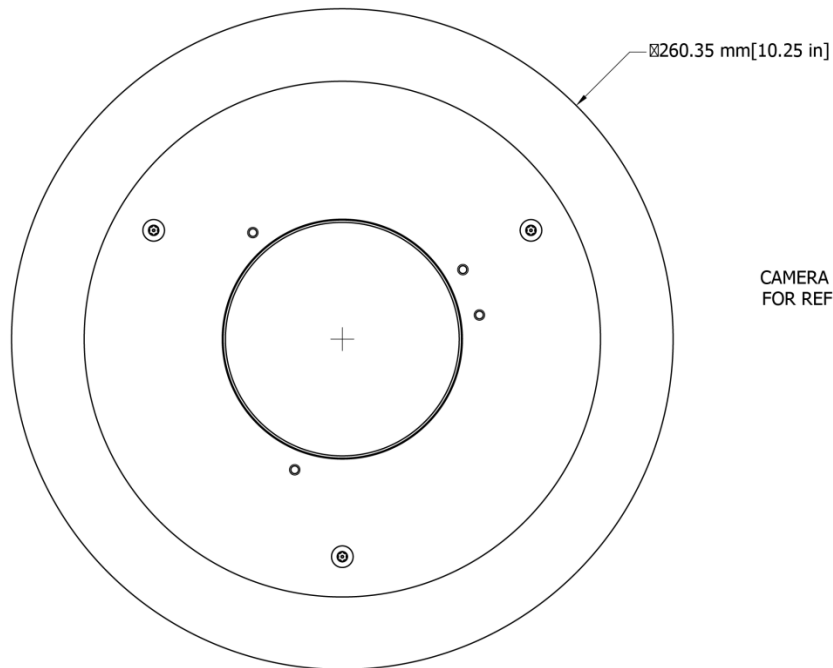
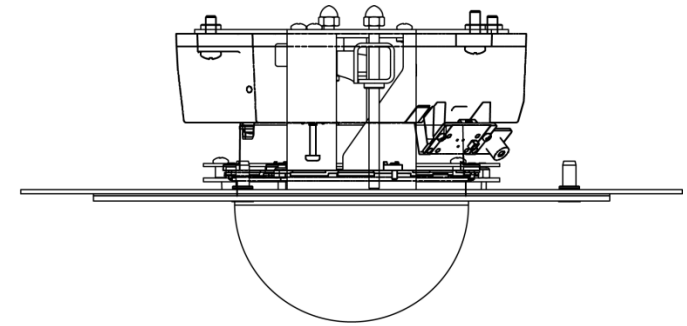
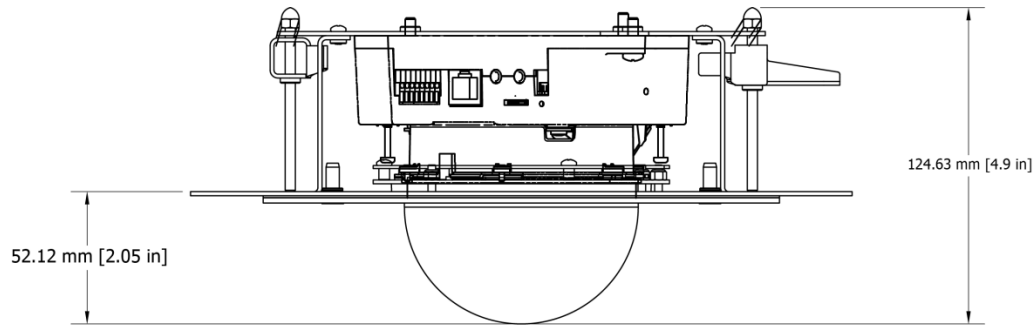
# VPOE-2

For V3320BX, V4320BX, S5120BX-DN and S5250BX-DN



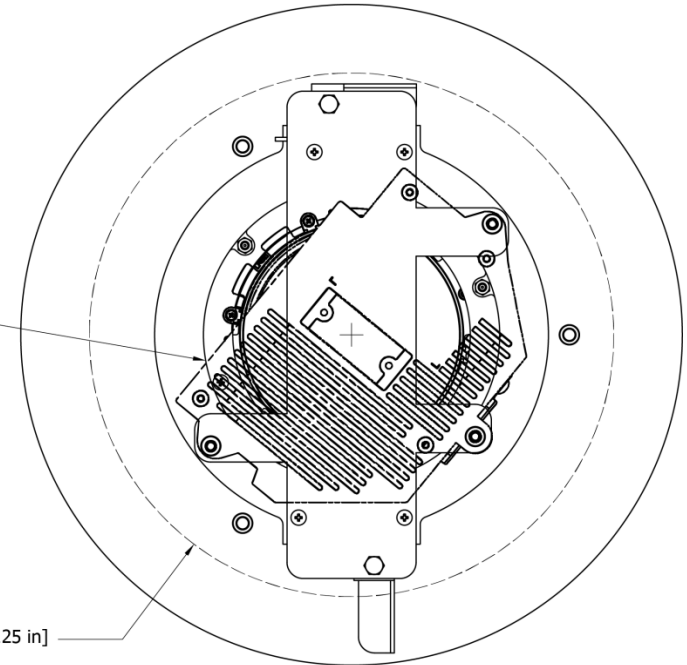
# IC-S51-S52 In-Ceiling Mount

Compatible with S5120FD-DN and S5250FD-DN



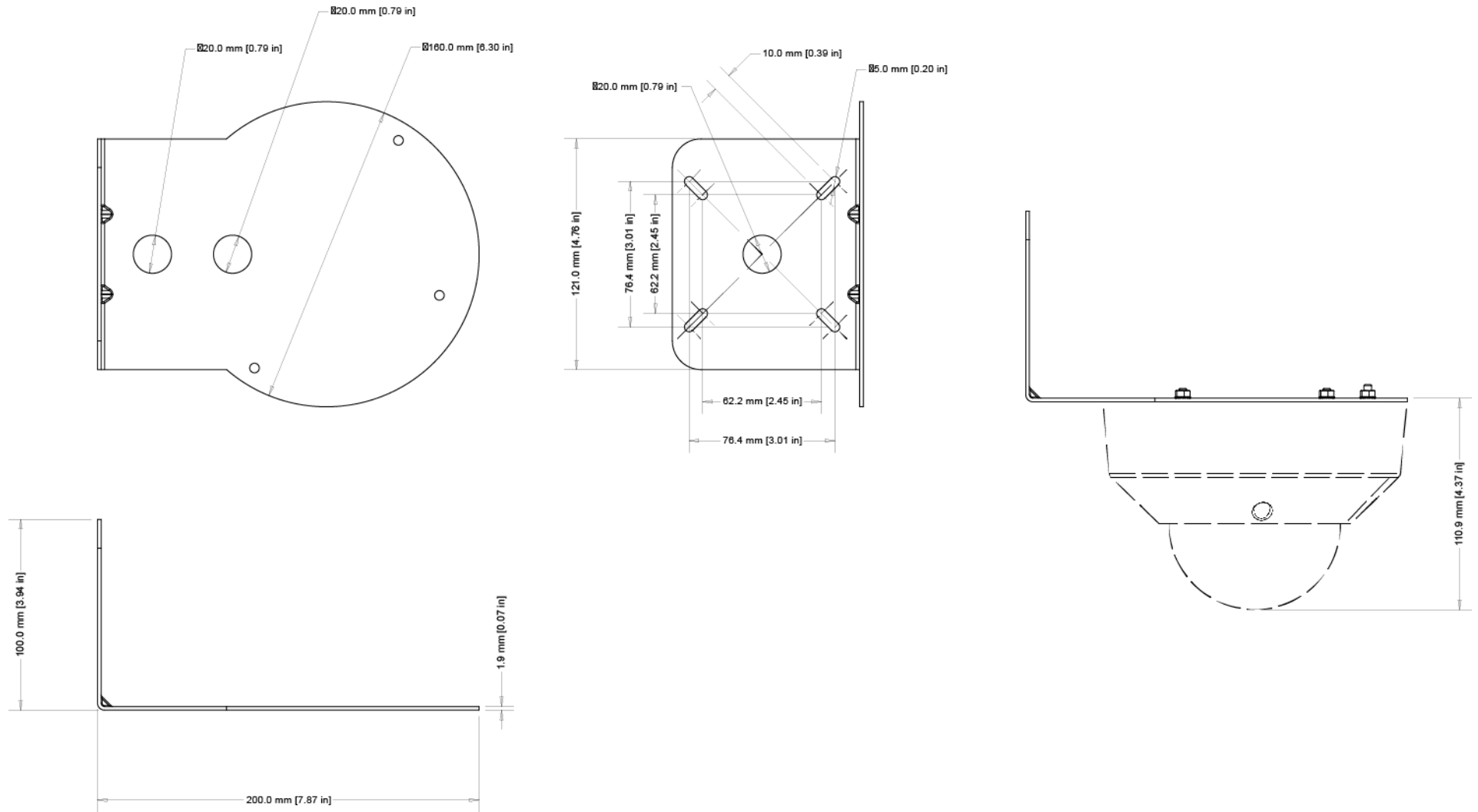
CAMERA SHOWN  
FOR REFERENCE

$\varnothing 206.38$  mm [8.125 in]  
MINIMUM HOLE  
DIAMETER IN CEILING



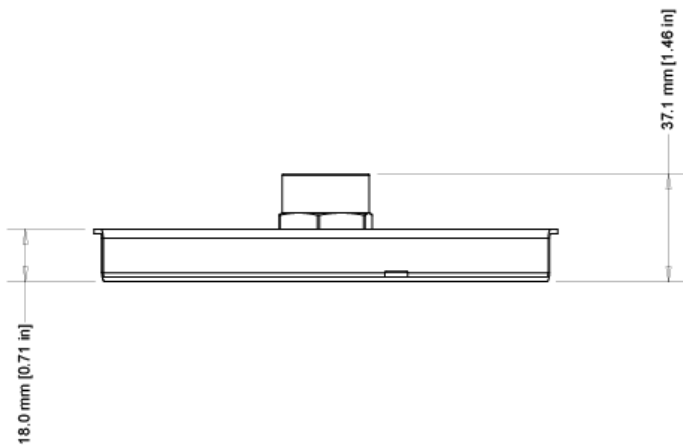
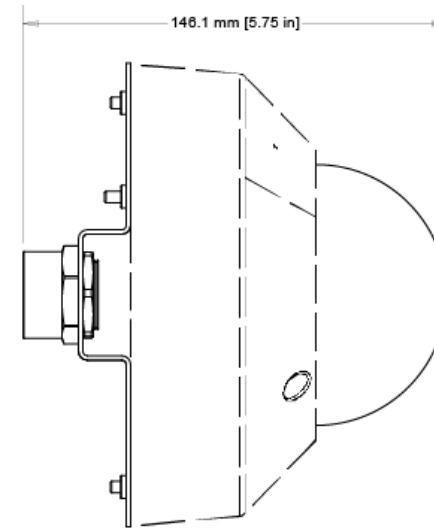
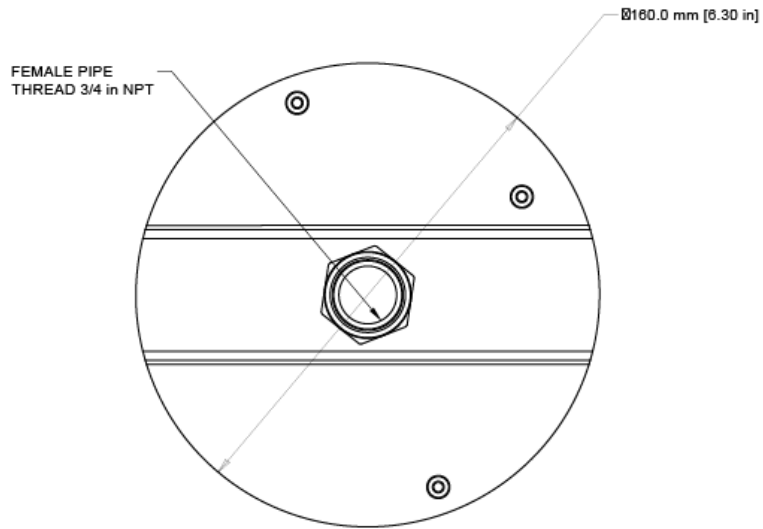
# WM-S51FD - Wall Mount

Compatible with S5120FD-DN and S5250FD-DN



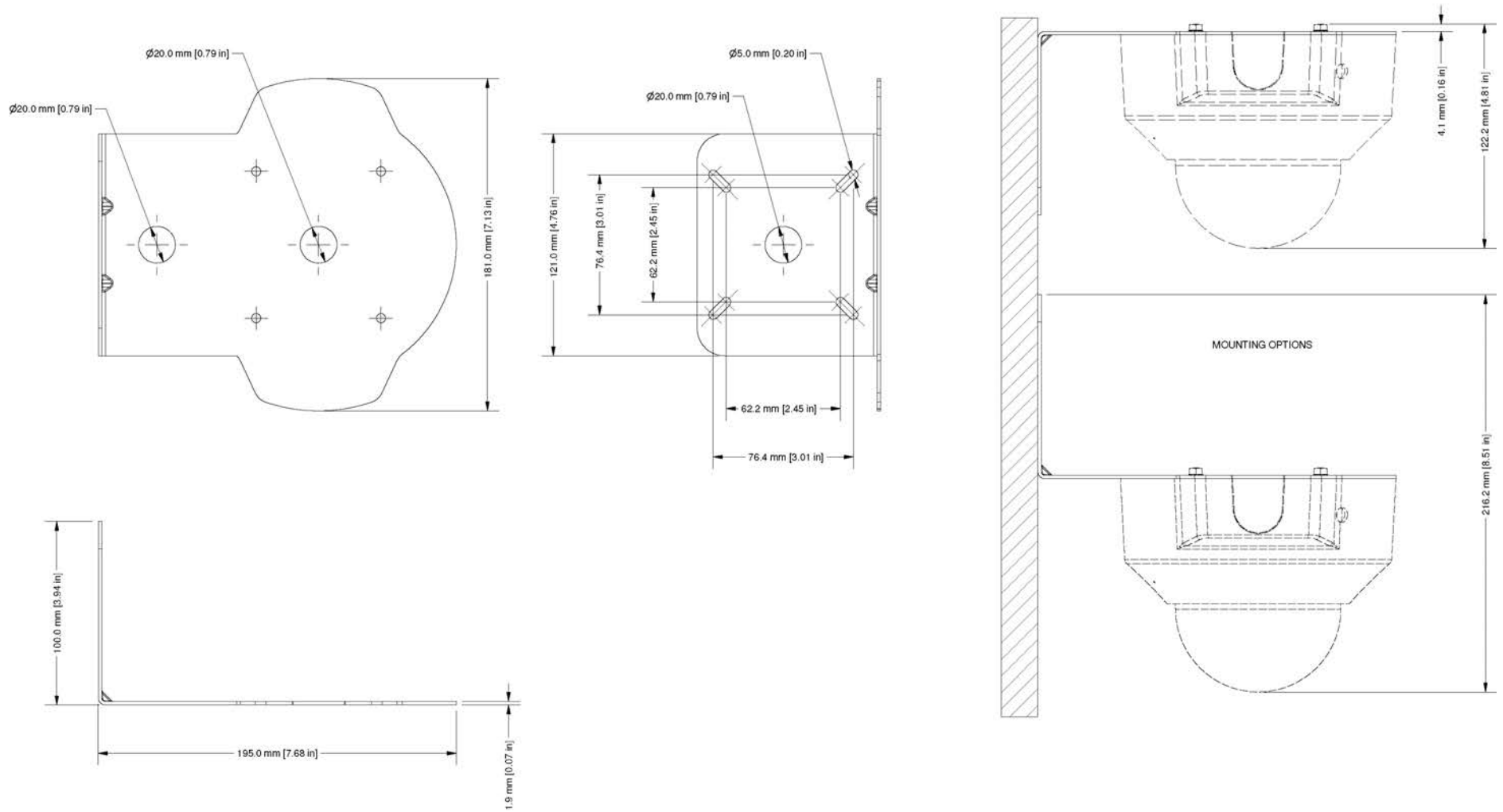
# PM-S51FD - Pendant Mount

Compatible with S5120FD-DN and S5250FD-DN



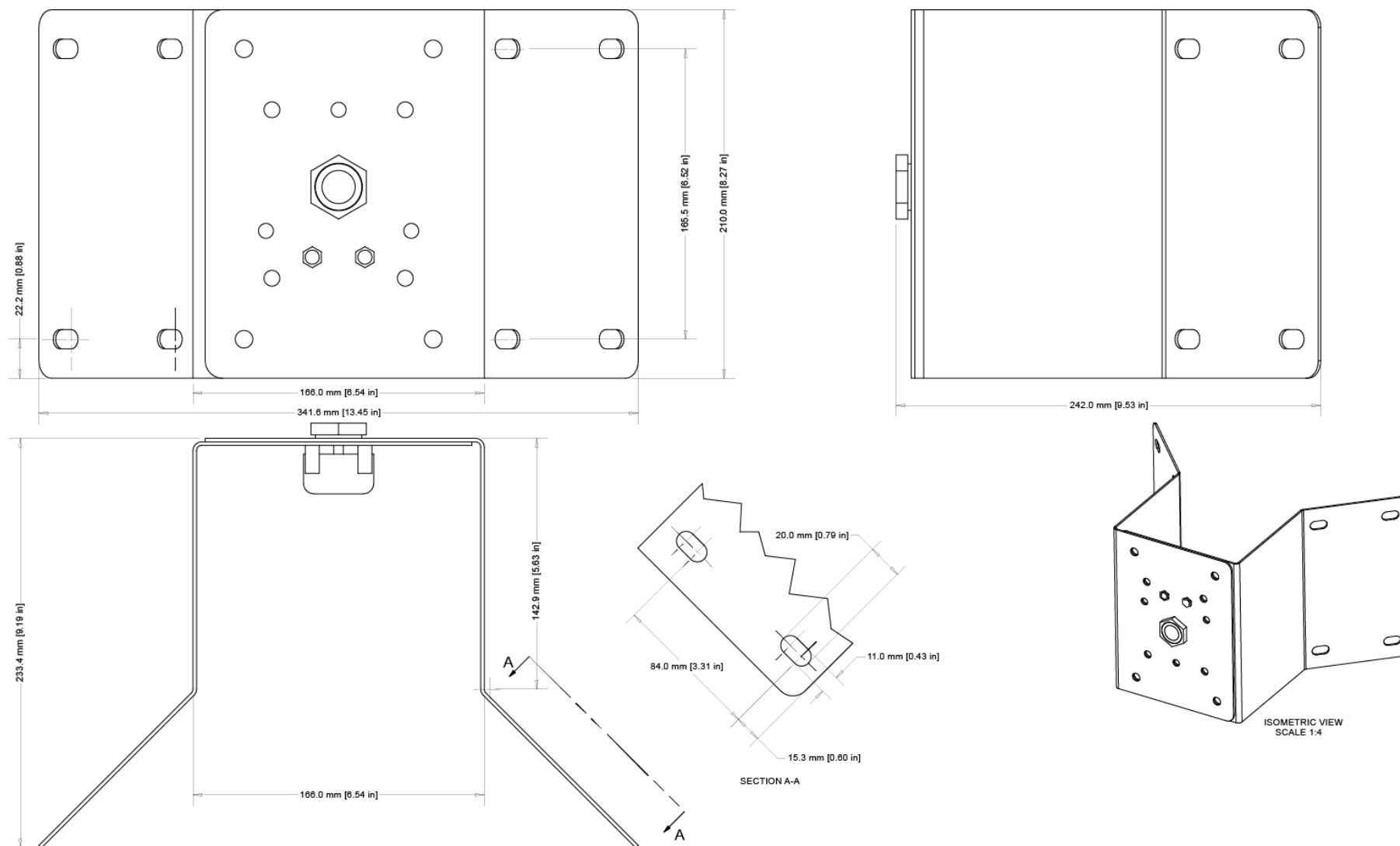
# WM-S50FD - Wall mount kit

For S5003FD and S5020FD-DN



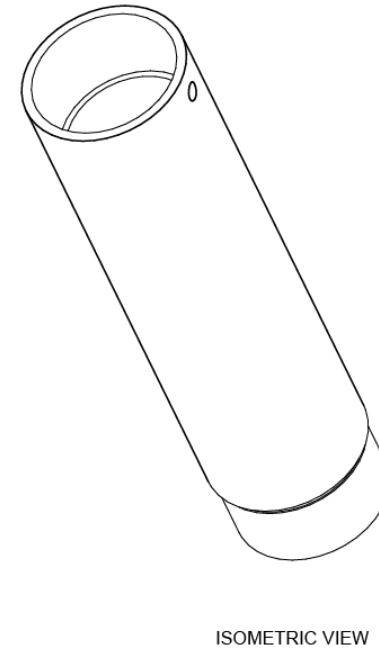
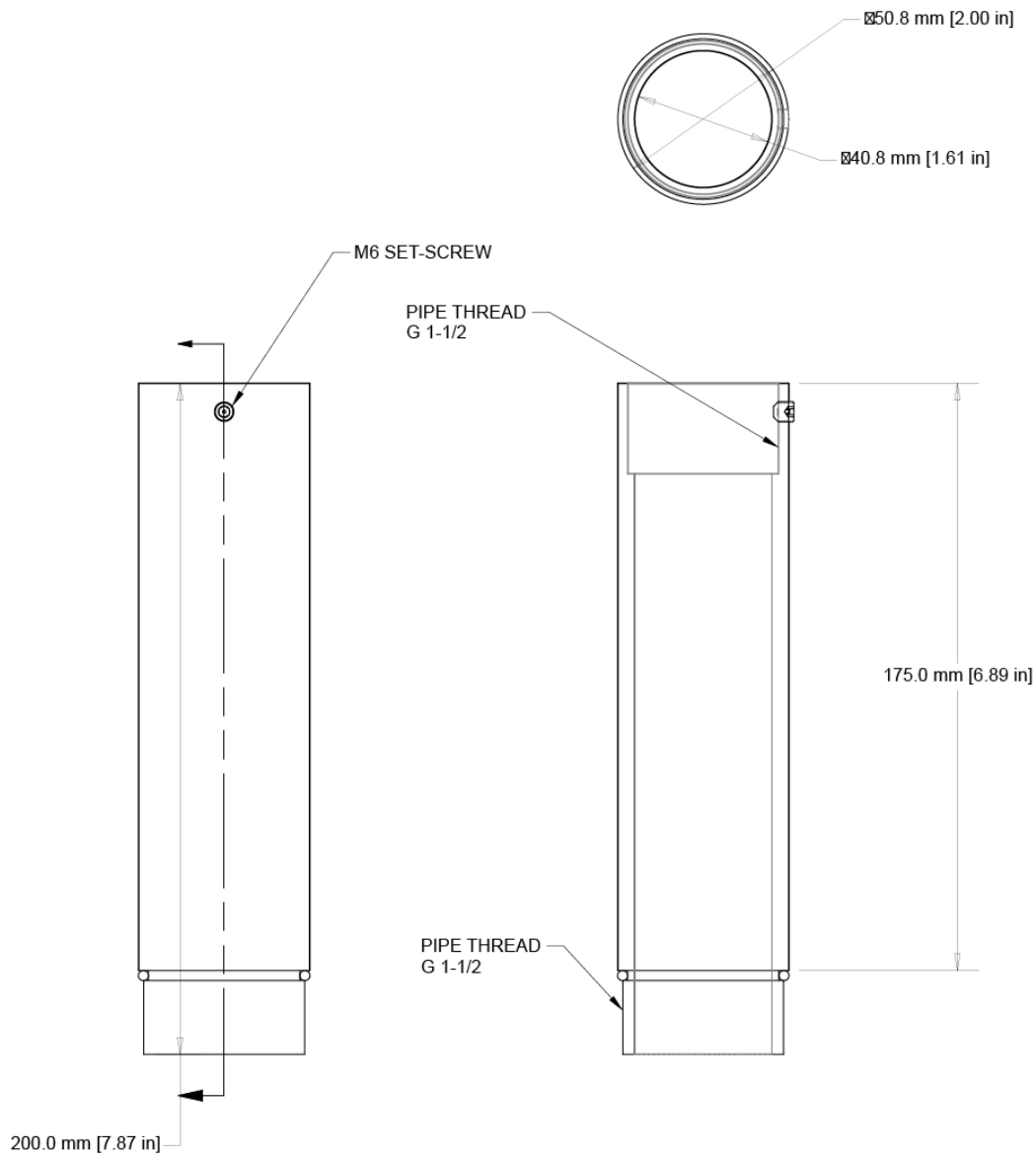
# CM-S50FDW - Corner mount kit

Compatible with WM-S50FDW



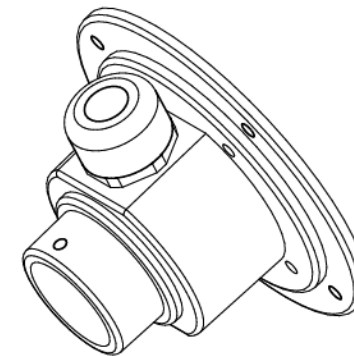
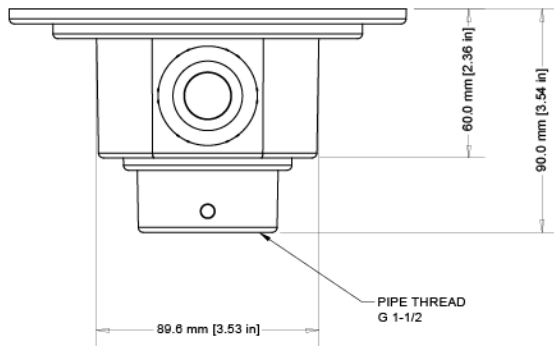
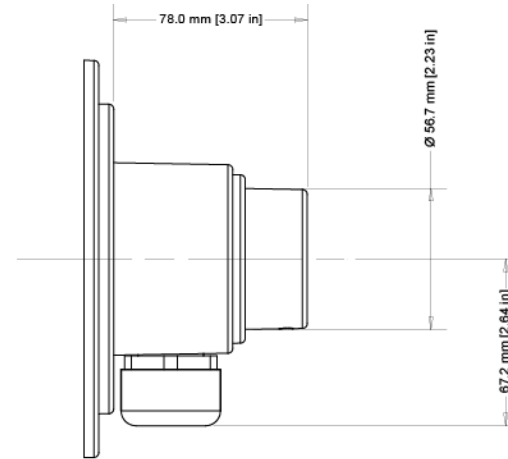
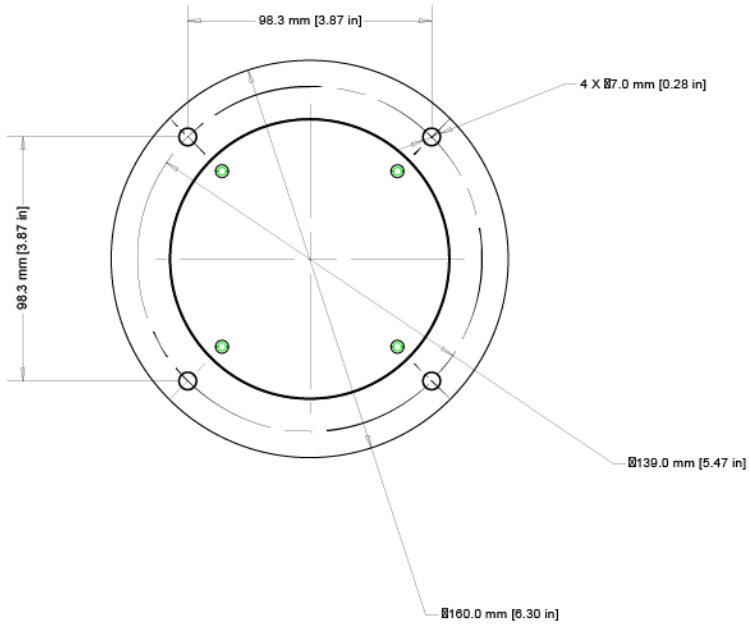
# PP-S50FDW - Pipe Kit

Compatible with PM-S50FDW and PB-S50FDW



## PB-S50FDW - Pendant Head kit

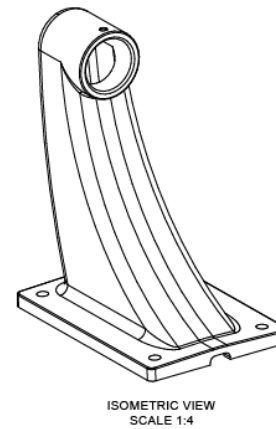
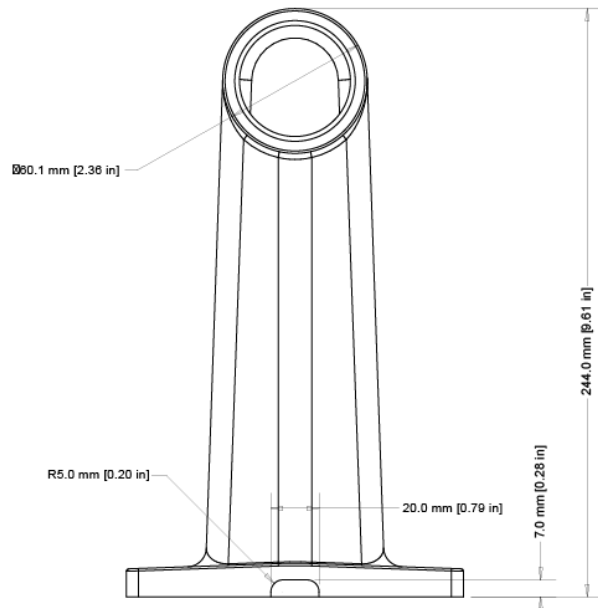
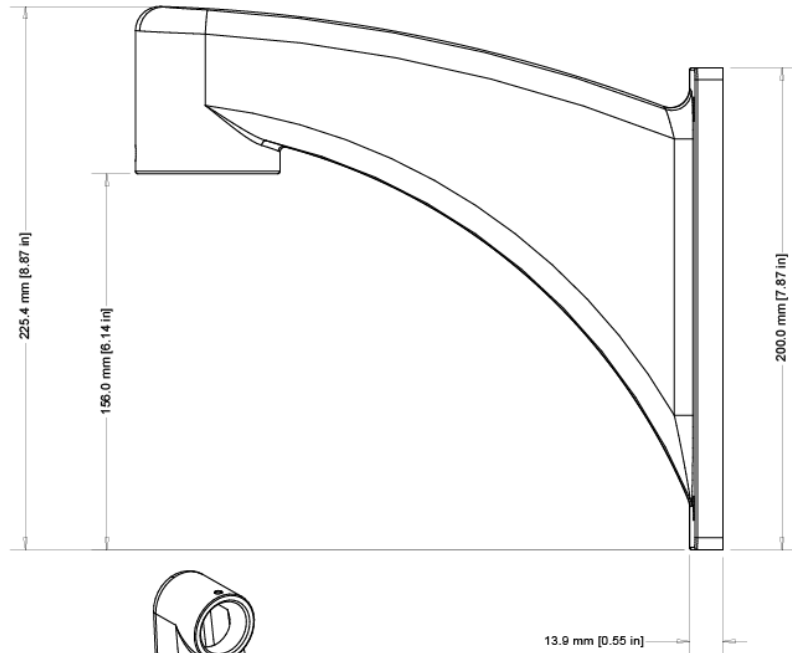
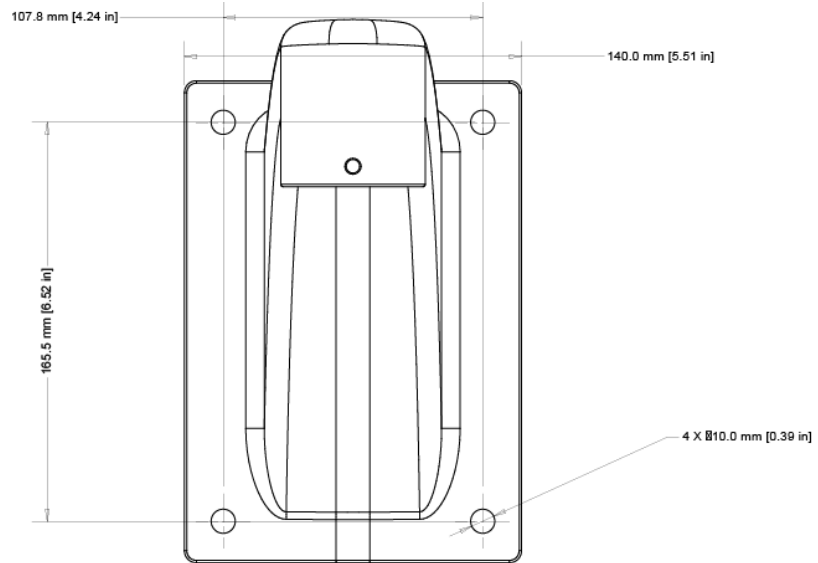
Compatible with PP-S50FDW or any 1.5" G male threaded pipe





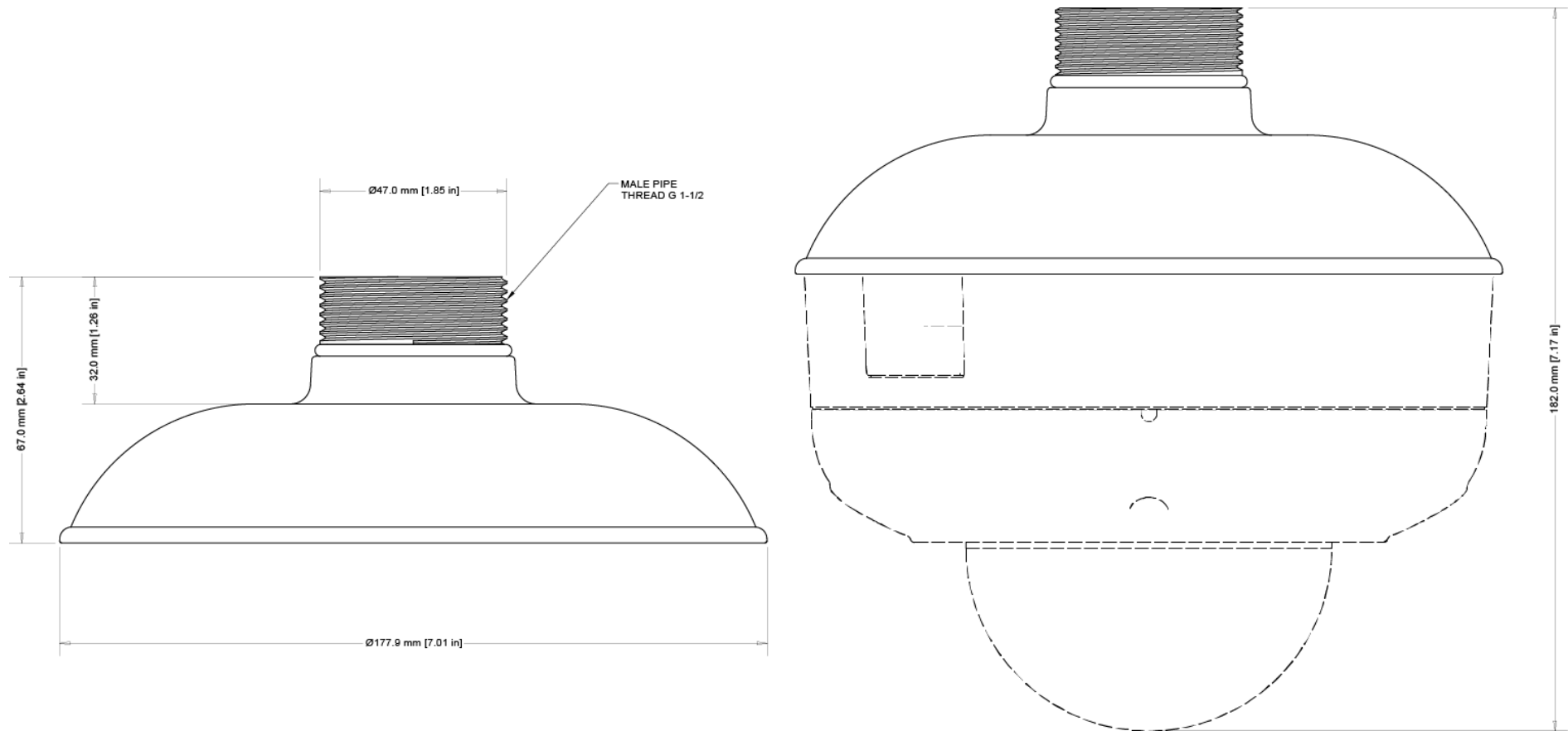
# WM-S50FDW - Wall Mount Kit

Compatible with PM-S50FDW, PM-S51-S52-FDW, PL-S50FDW and CM-S50FDW mounts



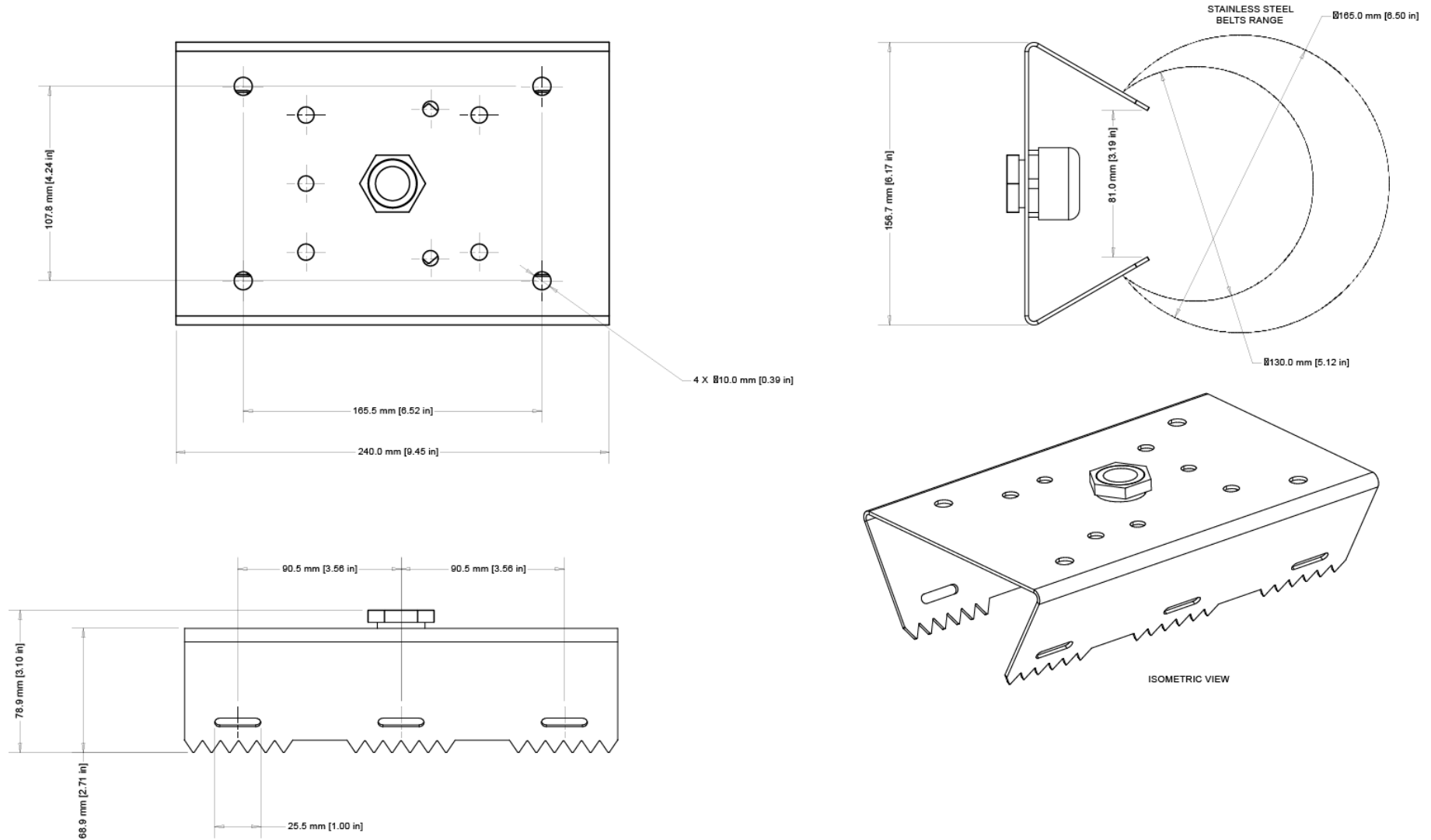
# PM-S51-52-FDW – Pendant Mount Cap

Compatible with S5120FDW-DN & S5250FDW-DN

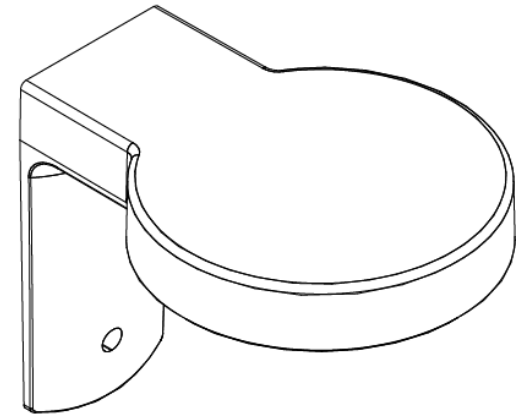
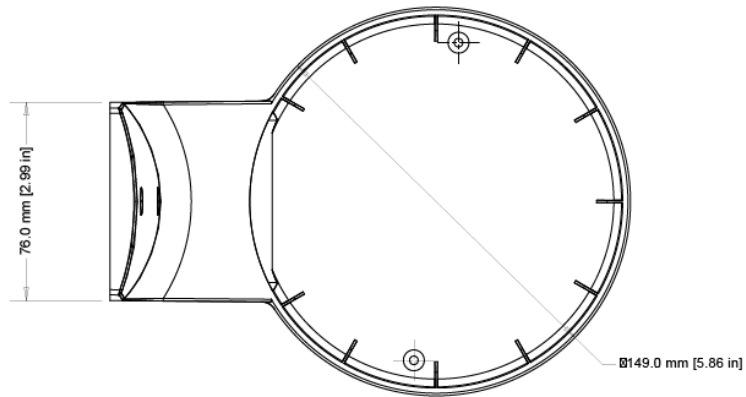
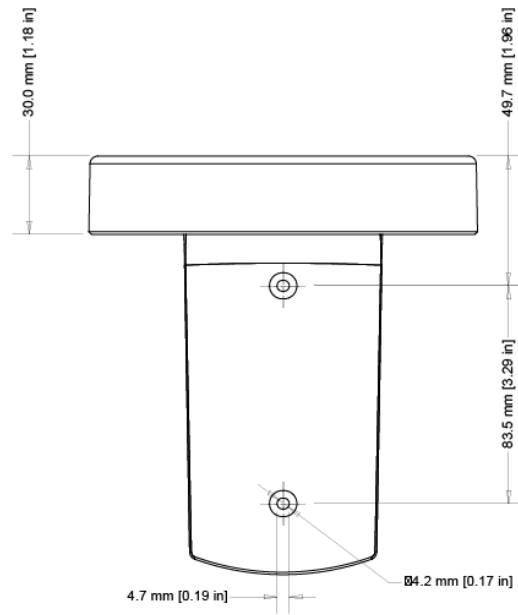
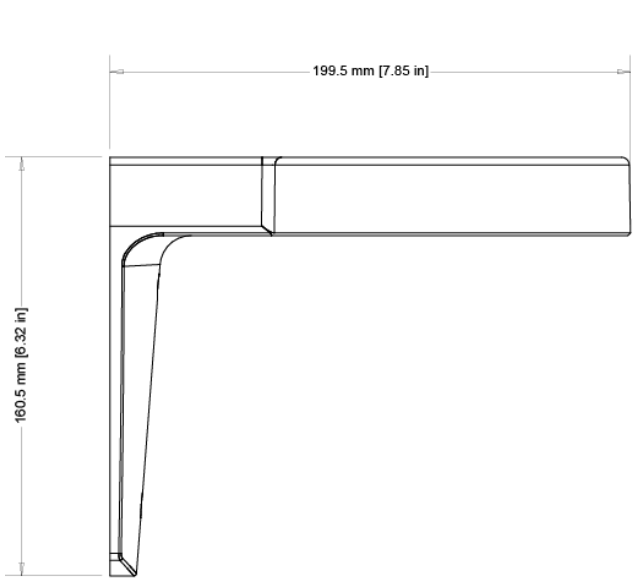


# PL-S50FDW - Pole Mount

Compatible with WM-S50FDW

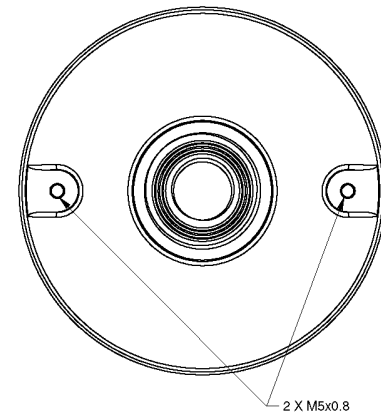
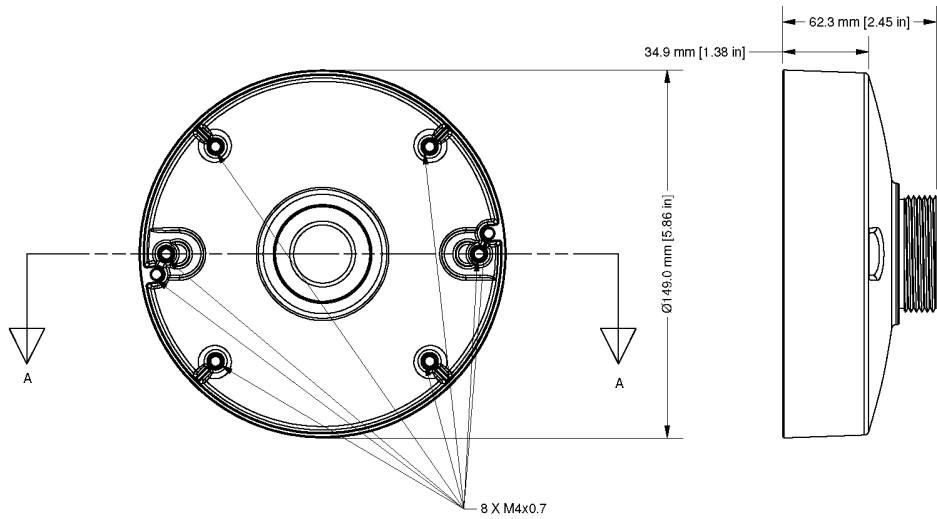
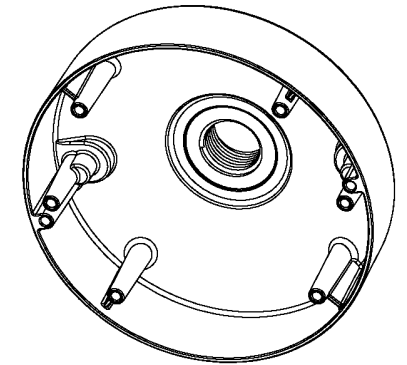
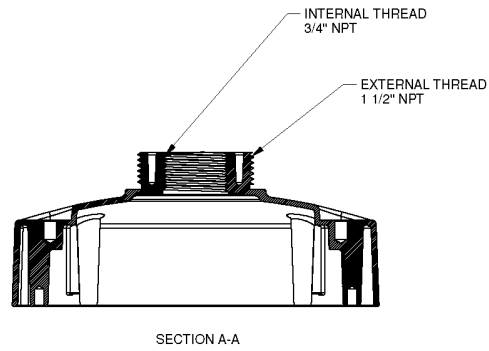


# WM-V33-43FD Wall Mount

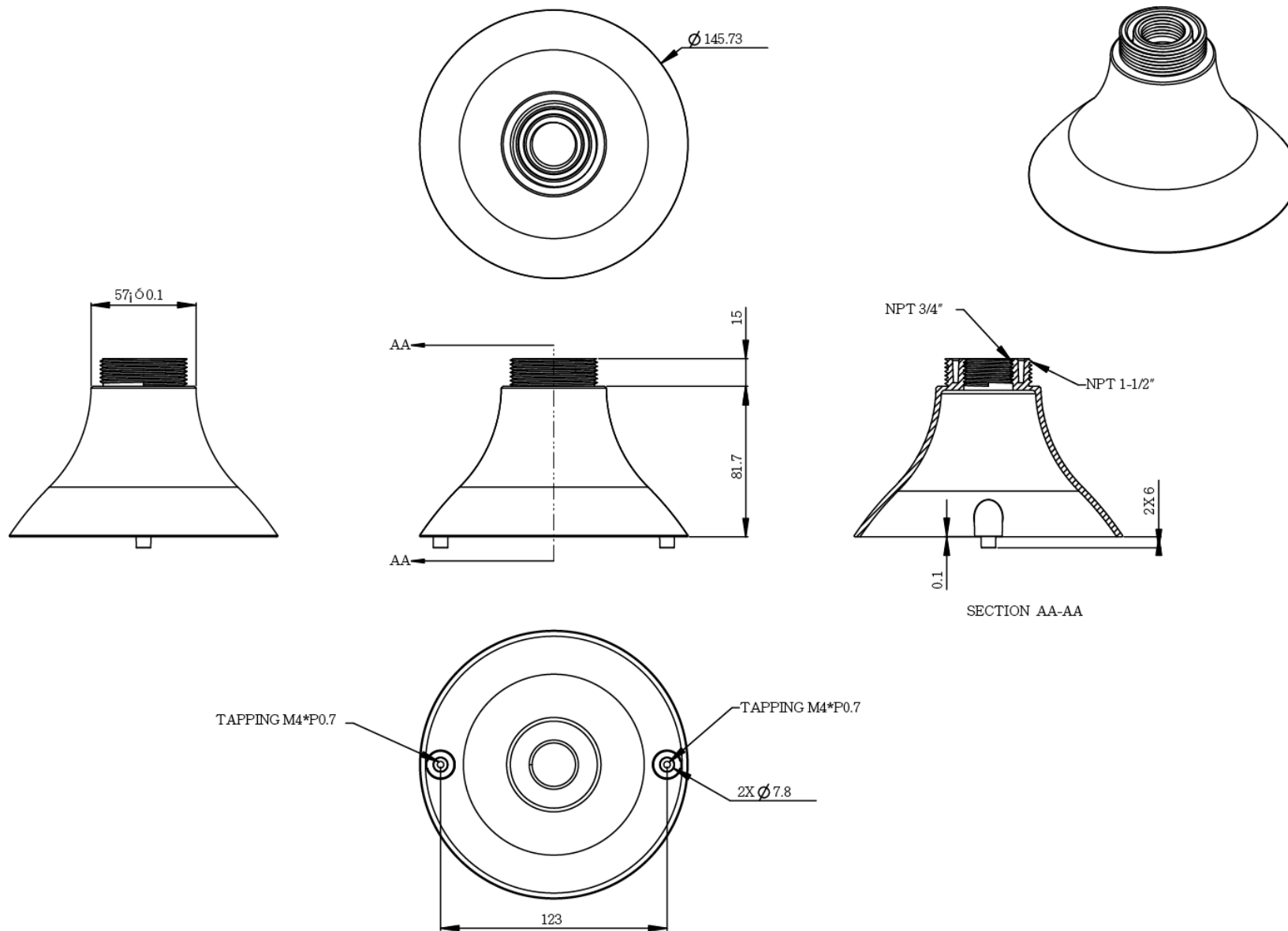


ISOMETRIC VIEW

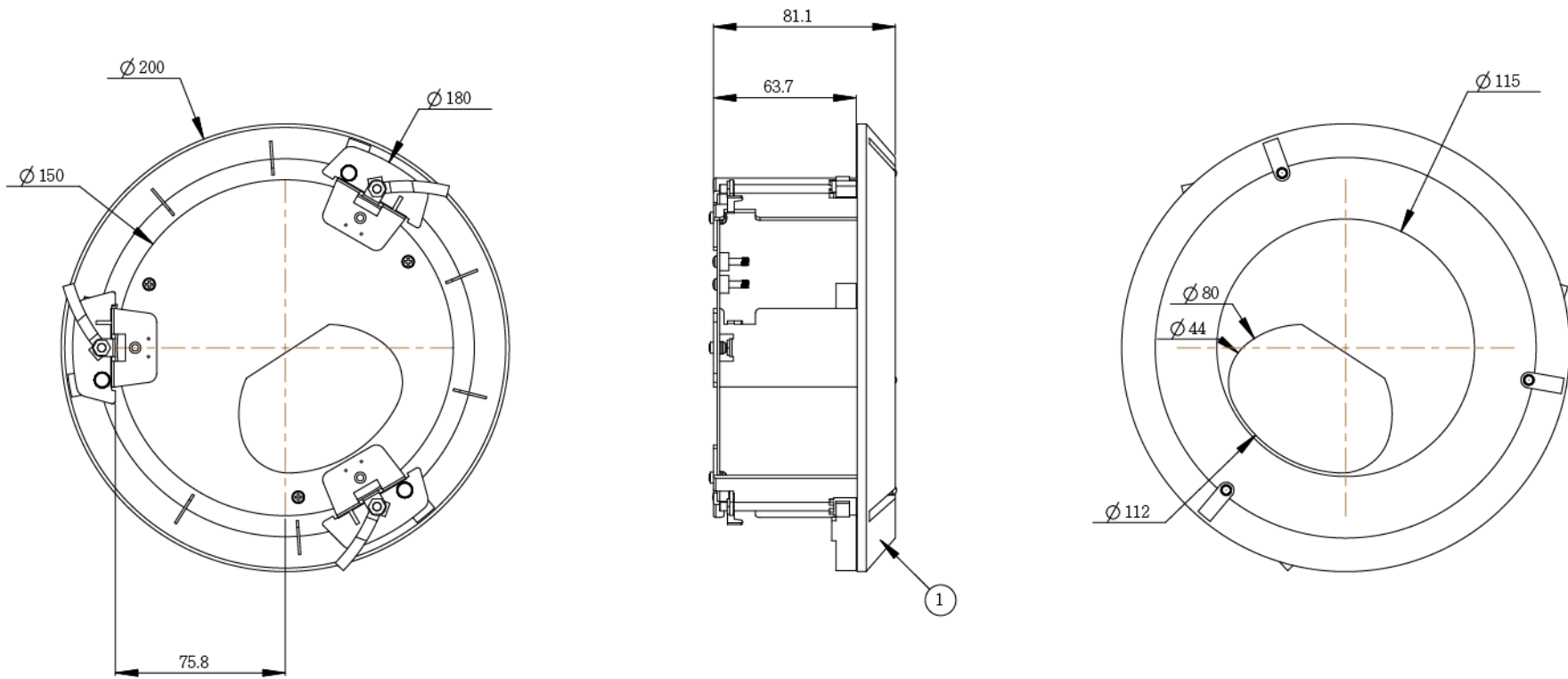
# PM-V33-43FD NPT Pendant Mount



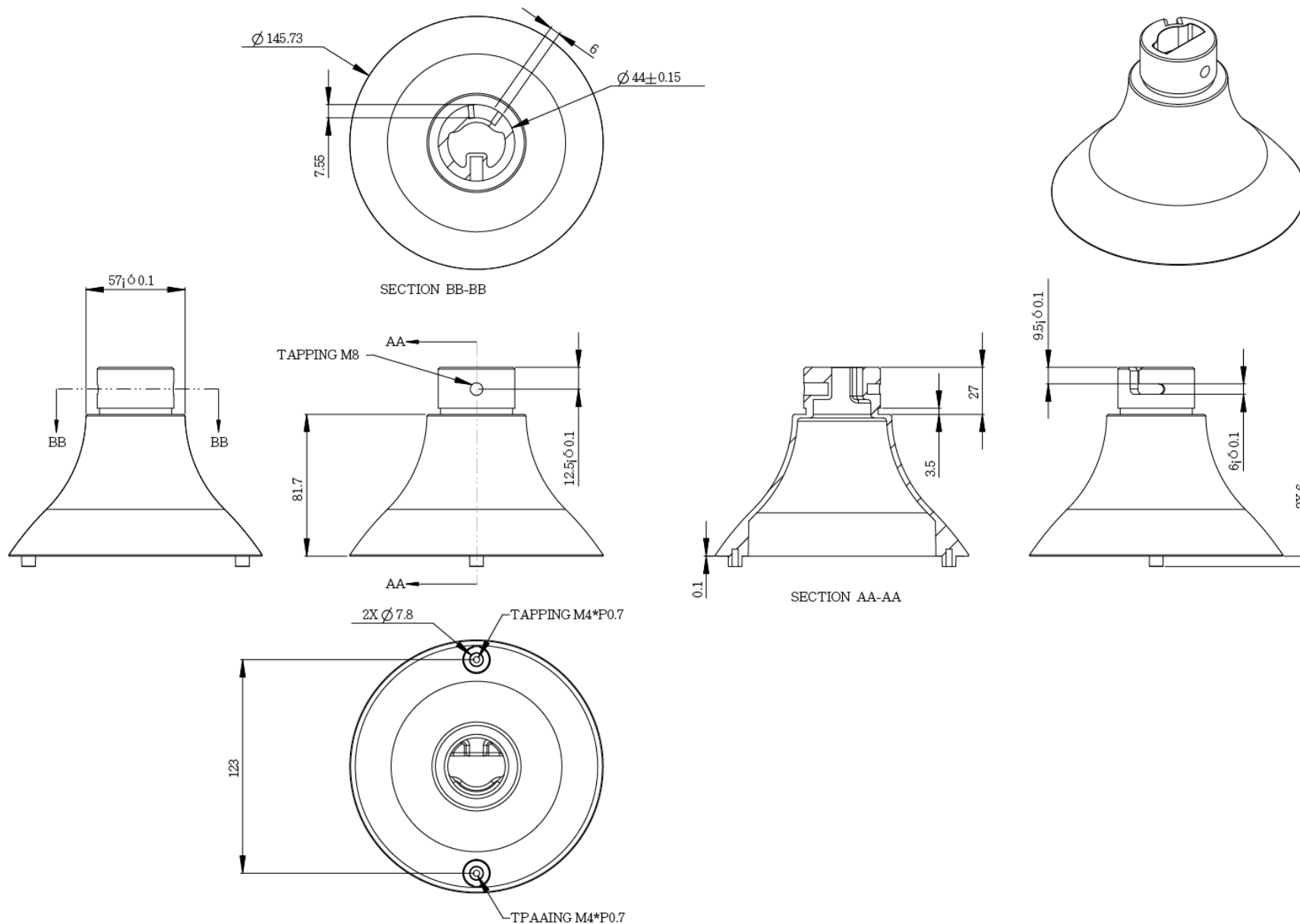
# PM-V33-43FDW NPT Pendant Mount



# IC-V33-43FDW Inceiling Mount

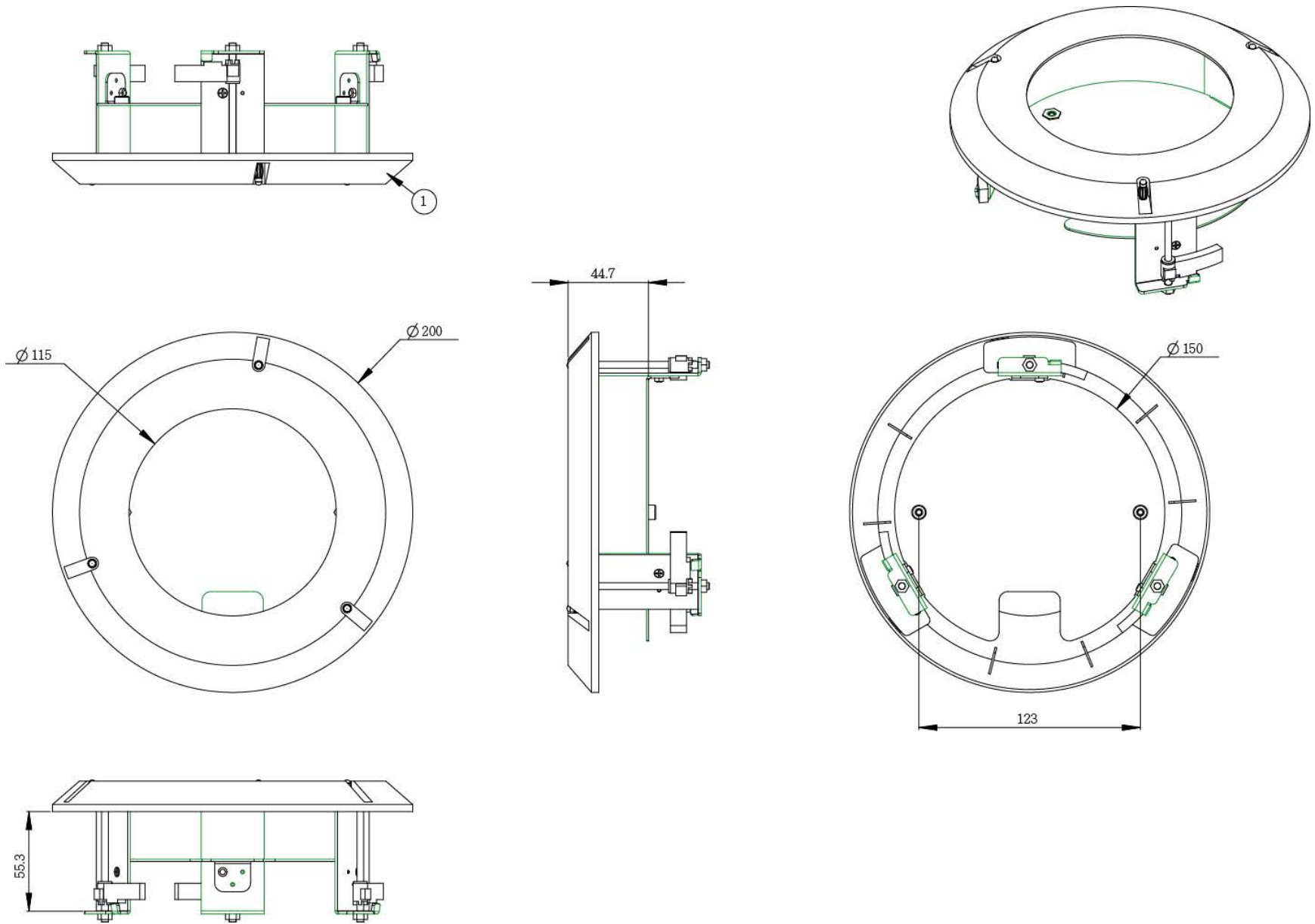


# PM2-V33-43FDW ¼ Turn Pendant Mount

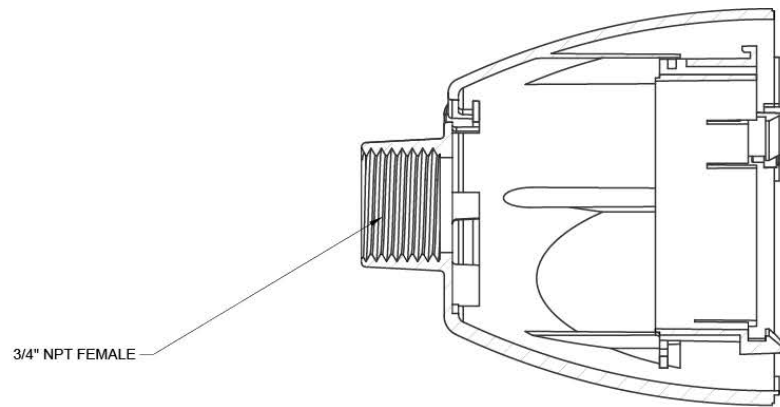




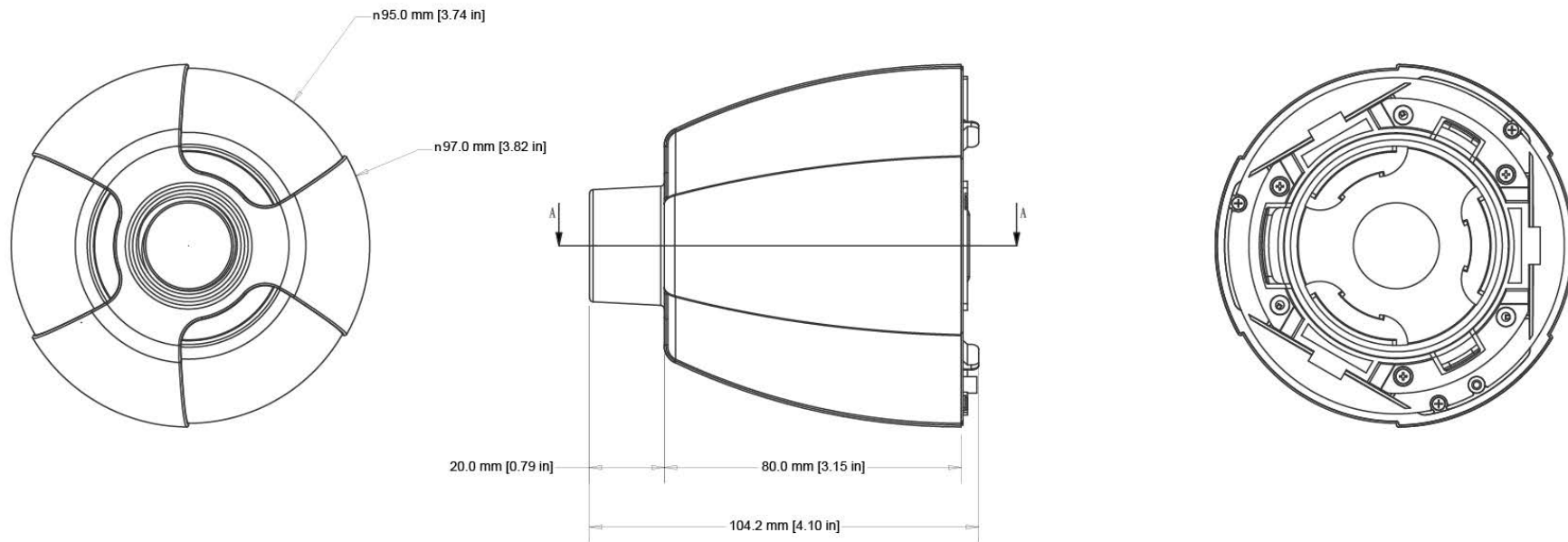
# IC-V33-43FD Inceiling Mount



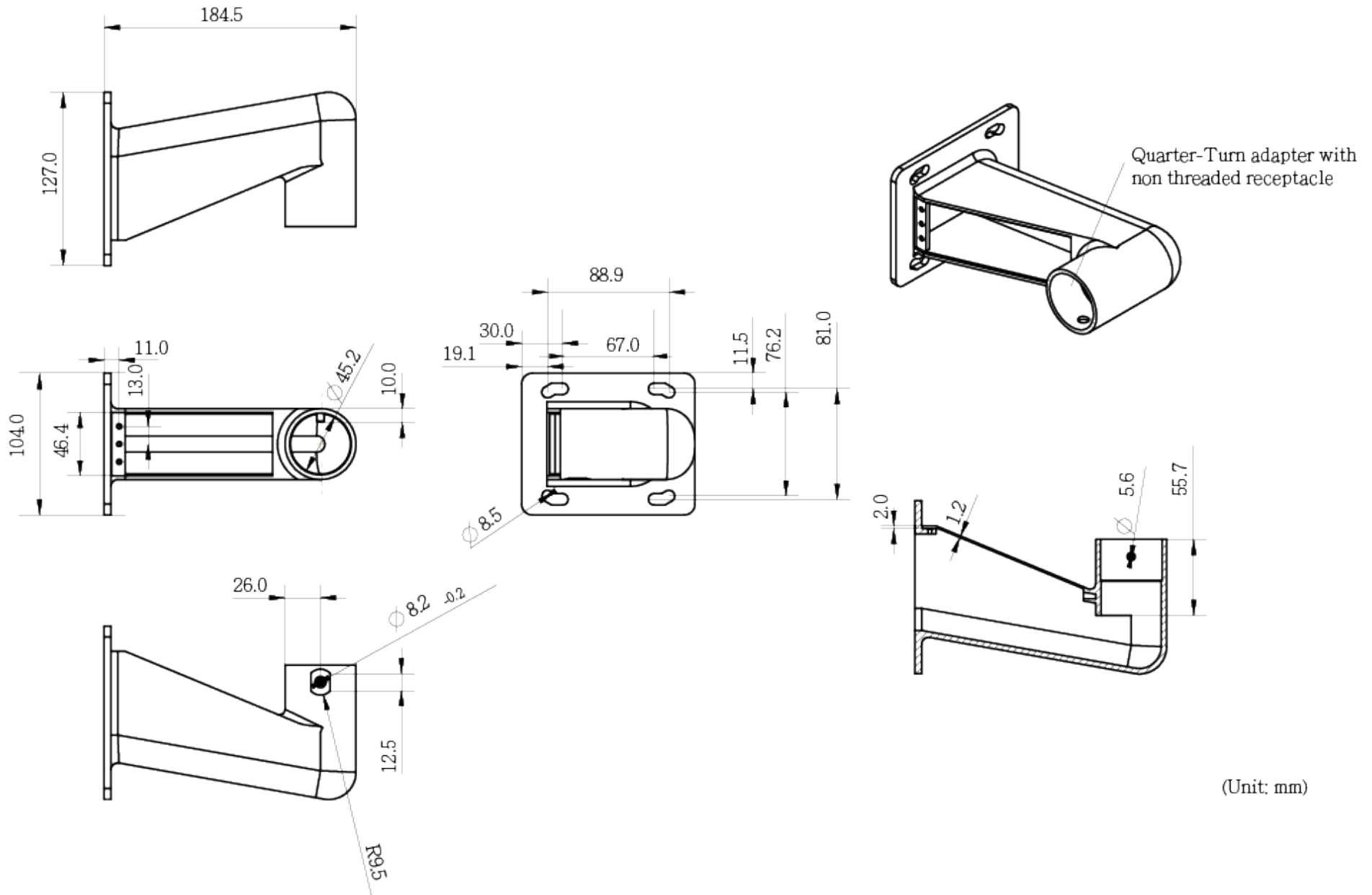
# PM-V3320RD Pendant Mount



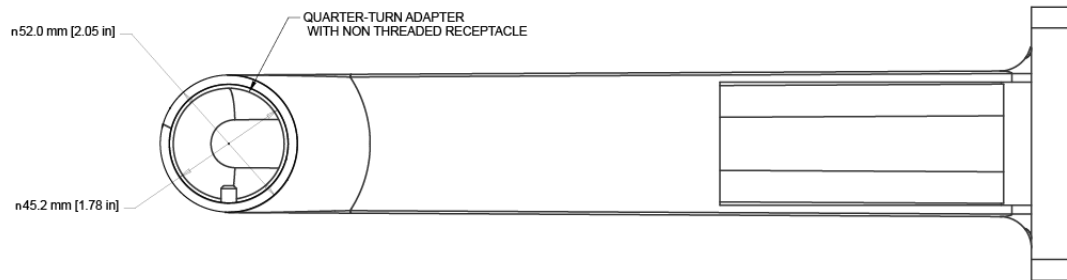
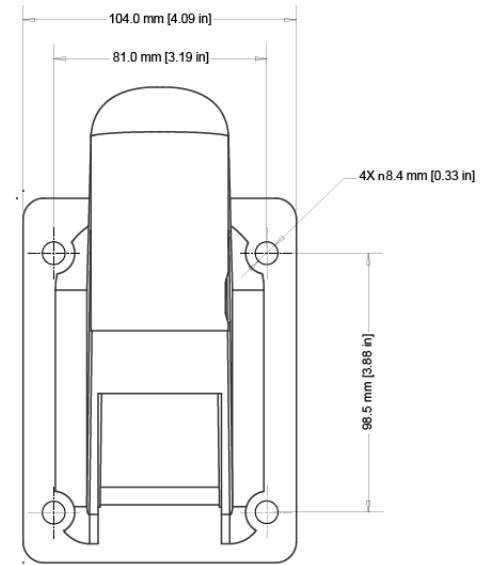
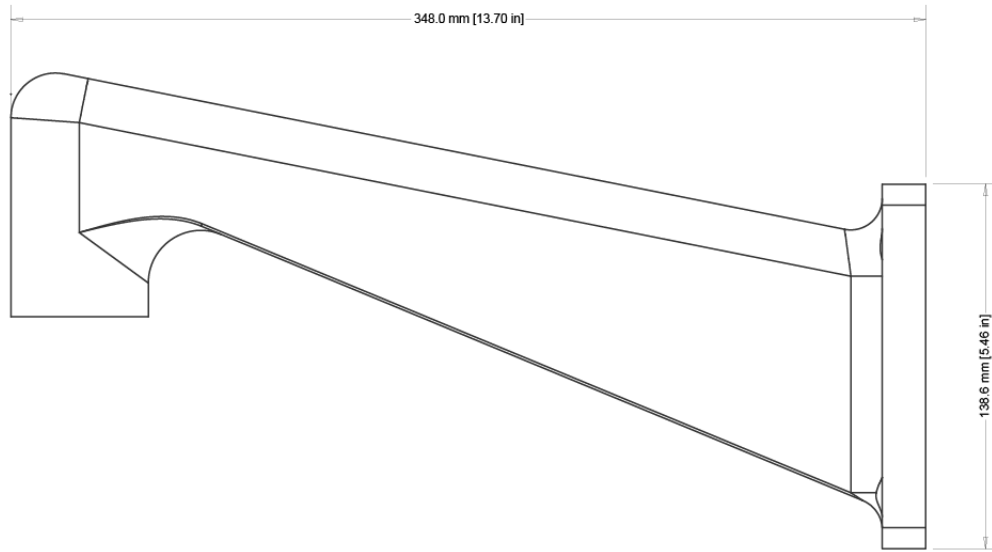
SECTION A-A



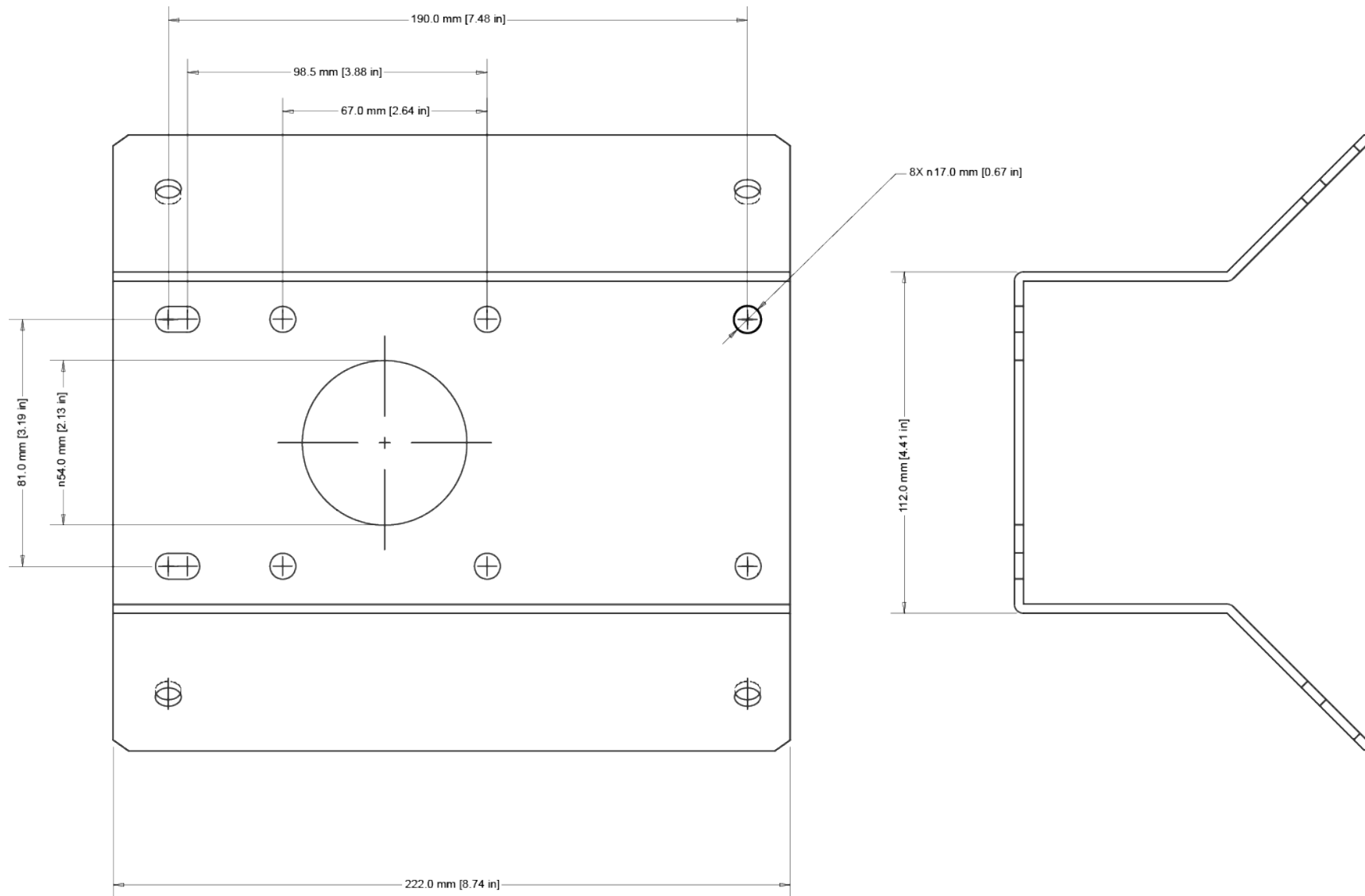
# WM-S-V5620PTZ / WM-S-V33-43FDW Wall Mount - Short Arm



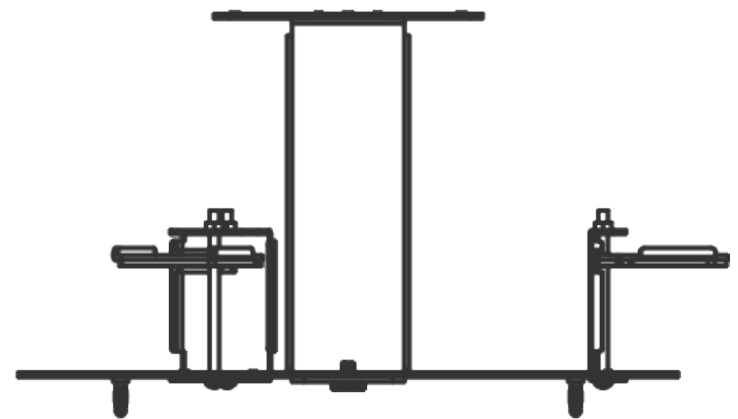
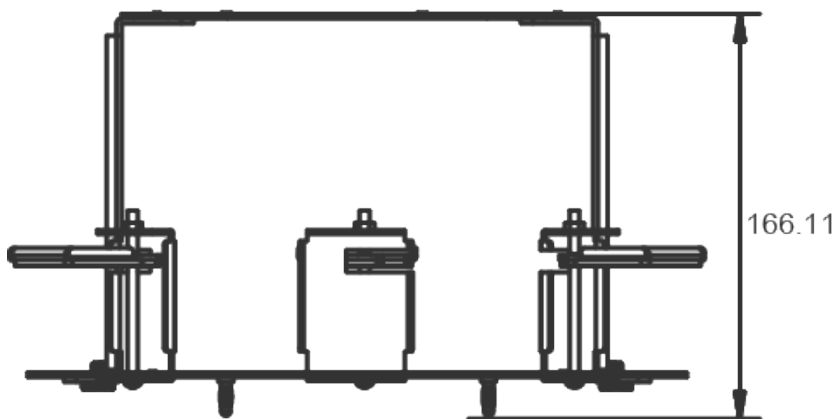
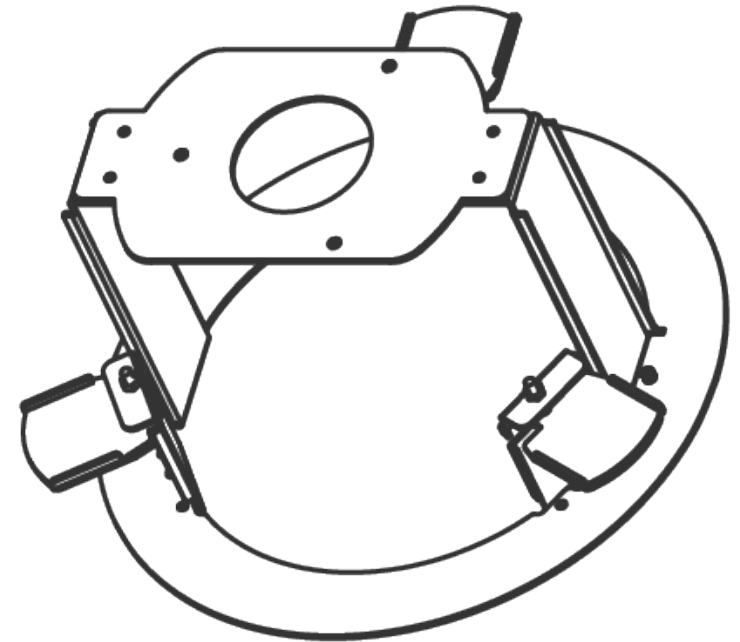
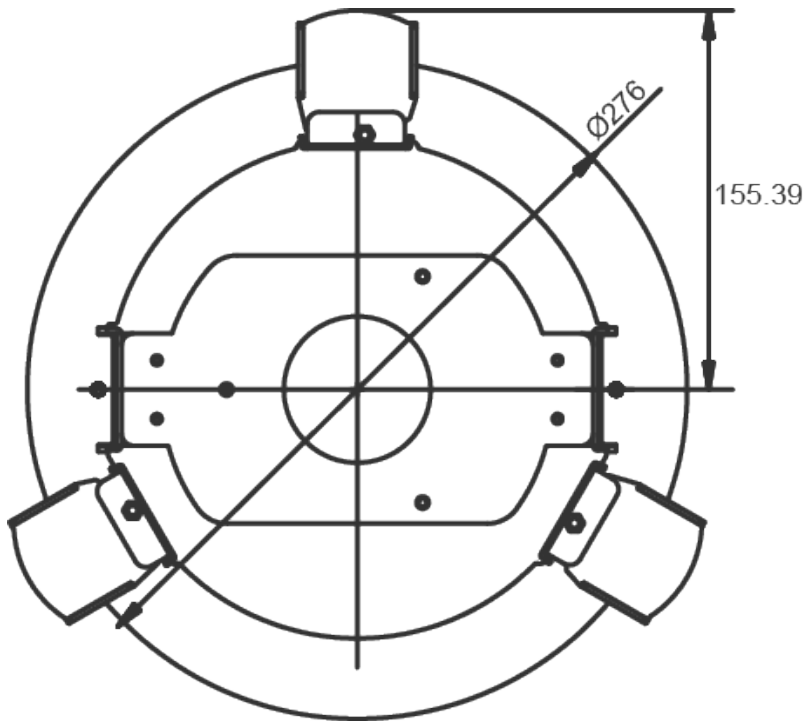
# WM-V5620PTZ / WM-V33-43FDW Wall Mount - Long Arm



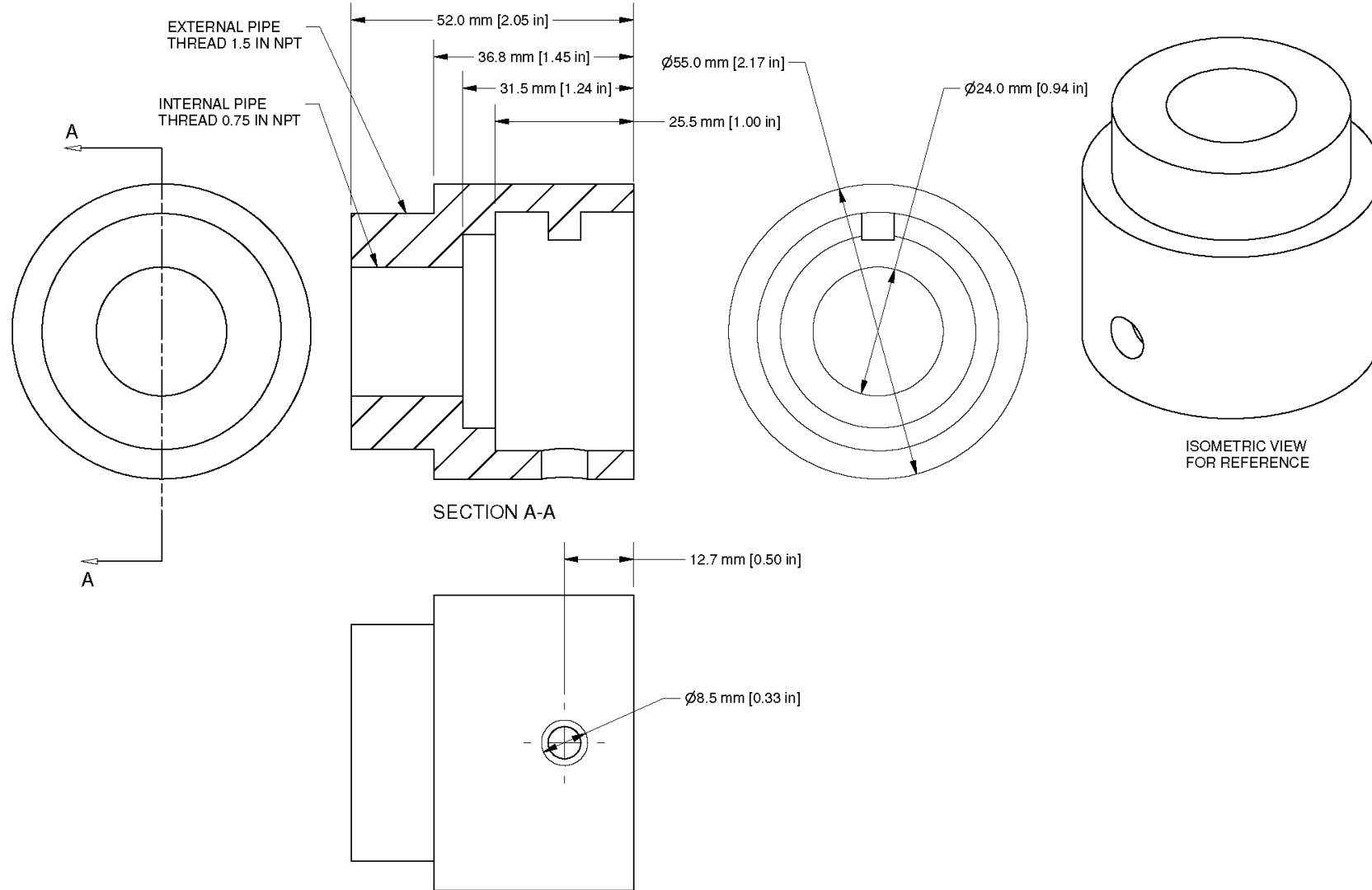
# CM-V33-43FDW/CM-V5620PTZ Corner Mount



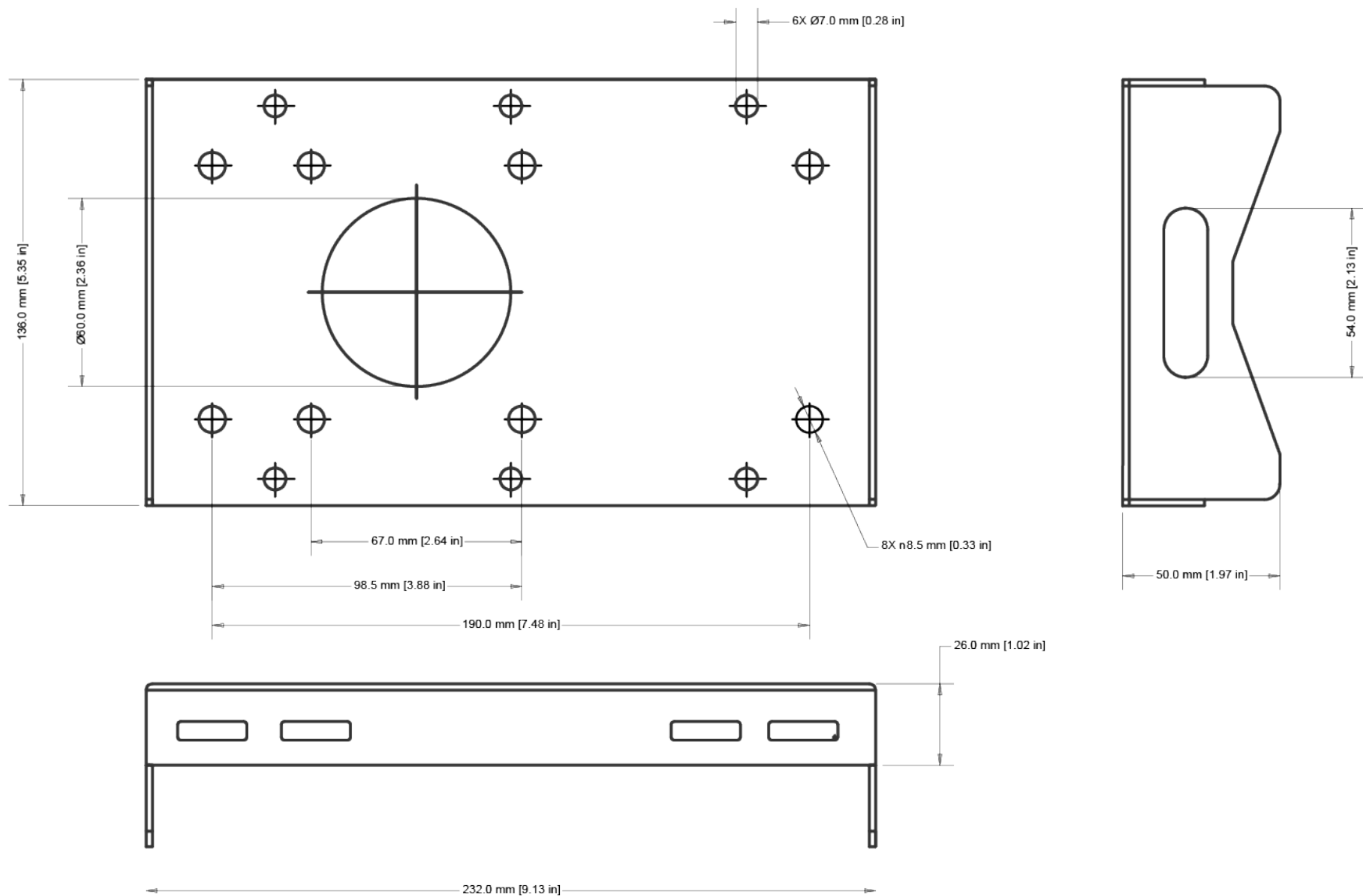
# IC-V5620PTZ Recess Mount



# NPT-V5620PTZ NPT Adapter



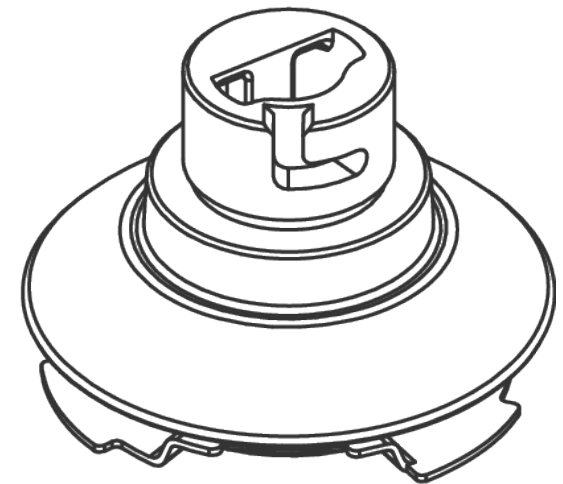
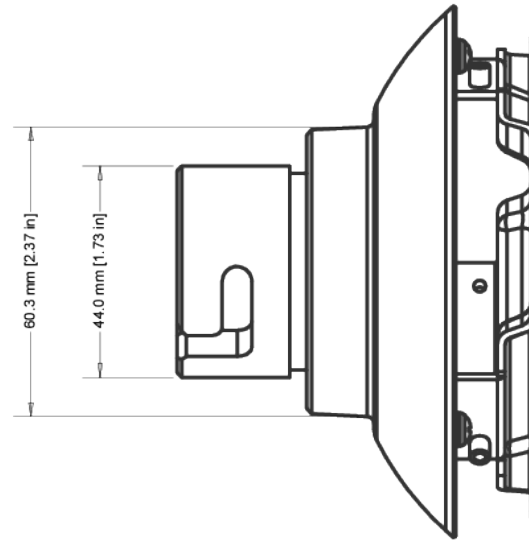
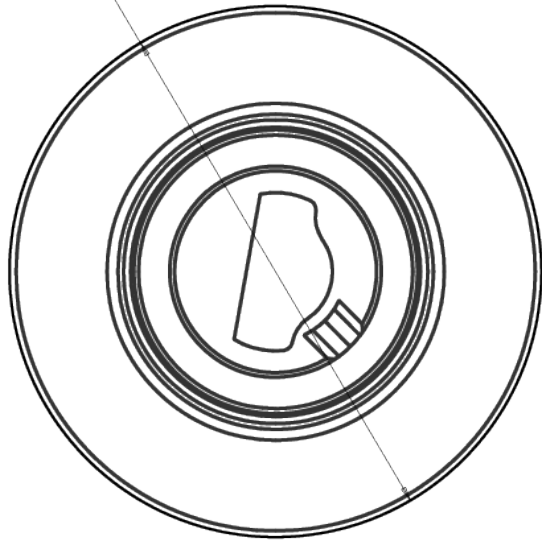
# PL-V33-43FDW/PL-V5620PTZ Pole Mount





# PM-V5620PTZ Pendant Mount

n110.7 mm [4.36 in]



QUARTER-TURN ADAPTER PLUG

