



# Instruction Manual

## HS-601 MP3 Player (Version 2.0)

Thank you for your purchase of this Hip Street MP3 player and we hope you enjoy using it. Please visit our website at [www.hipstreetonline.com](http://www.hipstreetonline.com).

Please ensure that you fully read and understand the information with this instruction manual prior to using your product. It is advised that you keep this instruction manual in a safe place for future reference. We sincerely hope that this high quality product offers you endless hours of entertainment.

### **Important safety precautions**

- Always follow these basic safety precautions when using your player. This will reduce the risk of product damage and personal injury.
- Do not disassemble, repair or modify the player by yourself. Refer servicing to qualified personnel.
- Do not dispose of the player in fire to avoid explosion.
- Keep the player away from direct sunlight or heat source.
- Do not expose the unit to rain or moisture to avoid any malfunction.
- Do not use the player in a rather dry environment to avoid static.
- Never apply heavy impact on the player like dropping it or placing it on a magnet.
- Clean only with a dry cloth. Make sure the player is turned off before cleaning. Do not use liquid cleanser.
- Be sure to back up your files. We will not be liable for the loss of data due to improper operation, repair

or other causes.

### **Precautions in using the earphones**

- Do not use the player with earphones while driving an automobile or riding a bicycle.
- To avoid an accident, do not turn up the volume of the earphones too high while walking.
- It's not recommended that you use the earphones at a high volume for an extended time as this may cause hearing damage.

### **FEATURES SUMMARY**

- High-Speed USB 2.0 Interface
- Supports MP3 and WMA
- Auto Power Off
- Built-in Lithium-Ion Rechargeable Battery

### **ACCESSORIES**

- Instruction Manual
- USB Cable
- Stereo Earphone

### **Product and Battery Disposal**

This product contains a built-in lithium battery and should not be disposed of in normal household waste. For disposal and recycling, please contact your local waste management authorities. The recycling and processing of electronic waste will make a significant contribution towards helping protect the environment.

### **FCC/IC WARNING:**

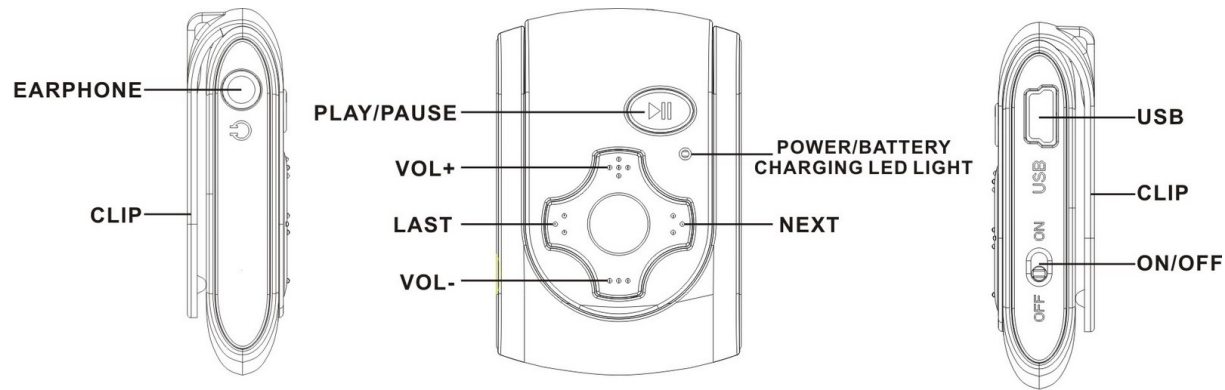
This device complies with the limits for a Class B digital device, pursuant to Part 15 of the FCC Rules and the Canadian ICES-003. Operation is subject to the following conditions:

- this device may not cause harmful interference, and

- this device must accept any interference received, including interference that may cause undesired operation.

## GETTING TO KNOW THE PLAYER

### Appearance and Controls



### LED Indication

Status	LED Indication
Power Off	LED OFF
Power On	RED LED ON STEADILY
Play	BLUE LED FLASHING
Pause	BLUE LED ON STEADILY
Low Power	LED FLASHING FAST
Battery charging	LED FLASHING

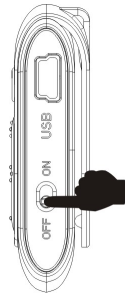
### CHARGING THE PLAYER

Please use the enclosed USB cable to connect the player to the computer. The red LED light will come on steadily. 3 hours will be required for initial charging. After the initial charge, it will take 2 hours to charge the player. Please note that the LED light will stay on as long as the player is charging, regardless of the charge level.

## BASIC FUNCTIONS

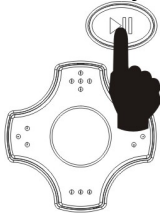
- **Power ON/OFF**

Slide the master power switch to the “on” position, press and hold the Play button for 2 seconds until the LED light turns on. To turn off the player, press and hold the Play button for 2 seconds.



- **Music Play**

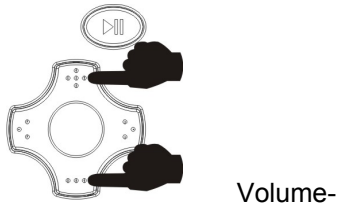
Press the Play button to start playing, press it again to pause.



- **Volume+/Volume-**

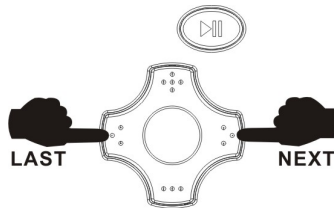
Press or hold the “+” or “-” button to turn up or down the volume during a song.

Volume+



- **Previous Last/Next Song**

Press the Last button to select the previous song, press the Next button to select the next song.



- **Rewind/Fast Forward**

During play mode, press and hold the Last or Next button to rewind or fast forward.

- **Storing music to MP3 player**

- Connect MP3 Player to PC via USB plug
- Click “My Computer” to find “Removable Disk” drive
- Drag MP3 or WMA songs from the music folder to your MP3 player (Removable Disk).

**NOTICE:**

To save energy, the player will turn off automatically in the Pause mode when not in use for more than 30 seconds.

## **INSTALLATION**

### **1) Windows ME / Windows 2000 / Windows XP / Windows Vista Installation**

For these operating systems, No driver is required because Windows has a built-in driver that will support your unit. Simply plug your device into the USB port and the computer will

recognize the player. Next you will see a “Removable Disk” drive in My Computer.

## **2) Linux 2.4.0 + / Mac 8.6 + Installation**

No driver is required for these operating systems. Simply plug the device into the USB port and the system will automatically find it.

## **Need assistance? Please call us!**

If you encounter any difficulties with this product, please visit our website at [www.hipstreetonline.com](http://www.hipstreetonline.com) and review our support section or call us. Our representatives are ready to help you with any questions about your product. We can guide you through connections, first-time use, or any of the features. Just give us a call or send us an email.

Customer & Technical Support: **1-888-456-2426**

Monday through Friday: 8:30am – 5:00pm EST

Email: [support@hipstreetonline.com](mailto:support@hipstreetonline.com)

**We want you to start enjoying your product right away!**