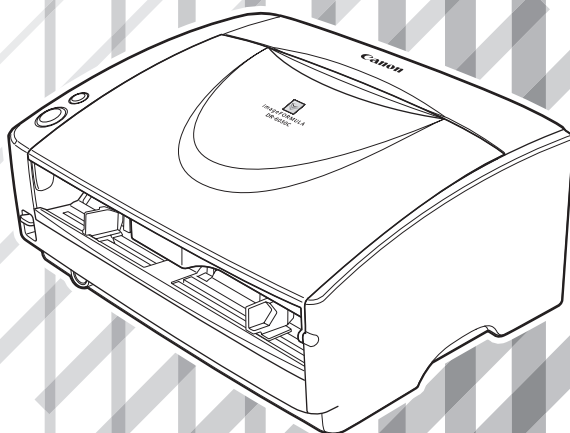


Canon

Document Scanner

DR-6030C

User's Guide

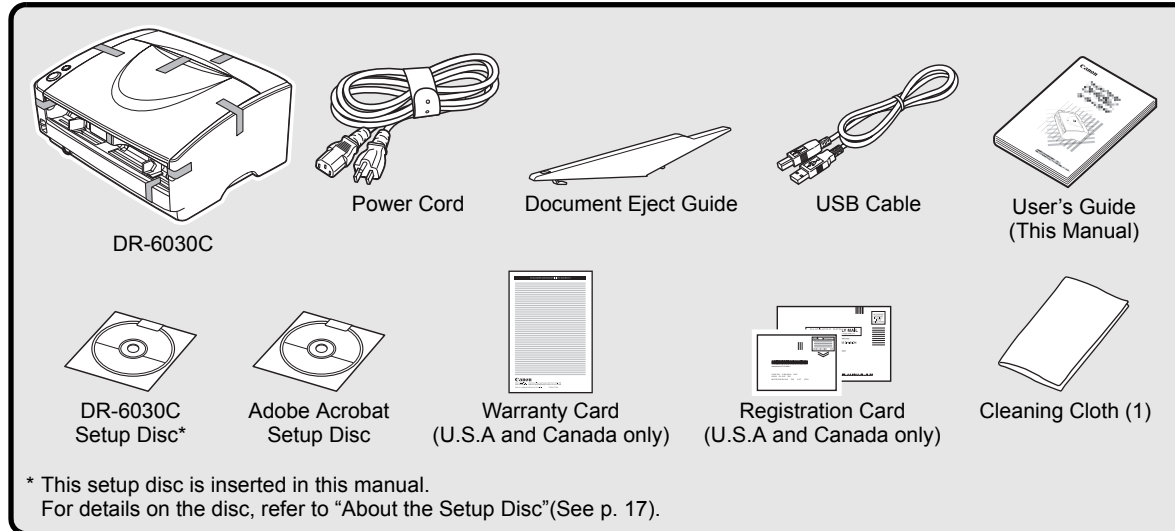


Please read this manual before using this unit. After you finish reading this manual, keep it in a safe place for future reference.

This manual describes the procedures for setting up the scanner for use. For details on how to use the scanner, read the after p. 1.

STEP 1 Checking the Package Contents

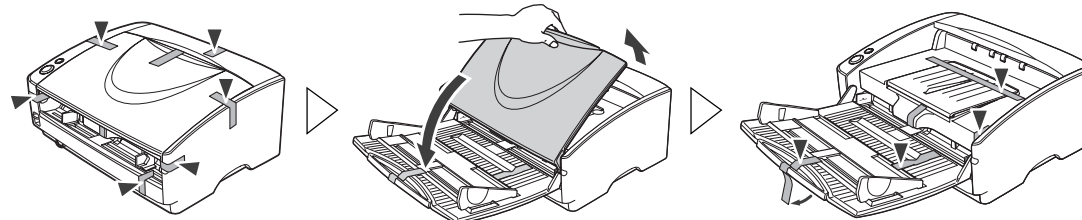
If any of the items listed below are missing or damaged, contact your local authorized Canon dealer or service representative. Keep the package and packing materials for storing or transporting the scanner. Items included in this package are subject to change without notice.



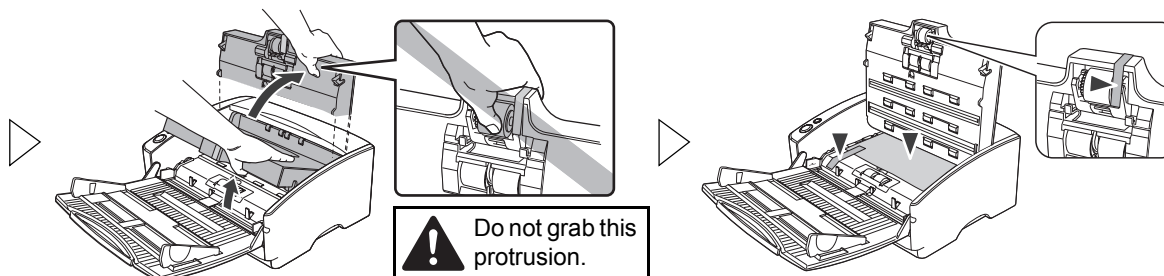
STEP 2 Removing the Packing Materials

Perform the following steps to remove all the orange tape and protective materials from it. After removing them, replace the cover and unit.

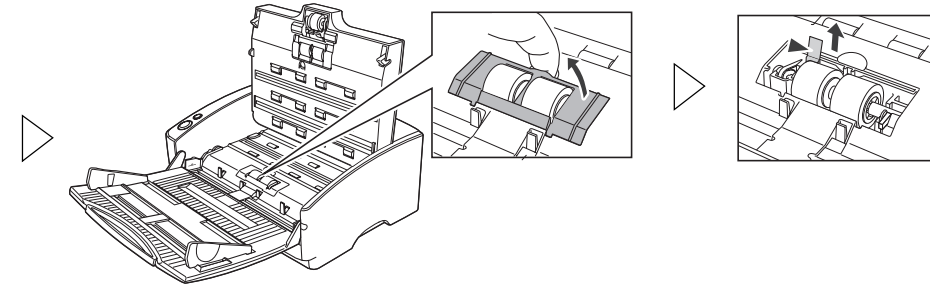
1. Peel off the orange tape.
2. Carefully open the document feed tray.
3. Peel off the orange tape.



4. Open the upper unit.
5. Remove the packing materials.



6. Remove the roller cover and take out the packing materials.



STEP 3 Installing the Software

Install the "DR-6030C driver" to use the scanner and the "CapturePerfect 3.0" to use scanning function.



- Log on to Windows with an account that has administrator privileges.
- Close all other applications before installing the software.

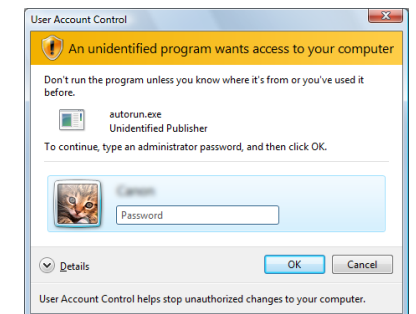
1. Insert the DR-6030C Setup Disc into the computer's CD-ROM drive.

The setup wizard automatically starts up when you insert the CD-ROM into the CD-ROM drive. If the setup wizard does not start up, run the setup.exe application on the CD-ROM.

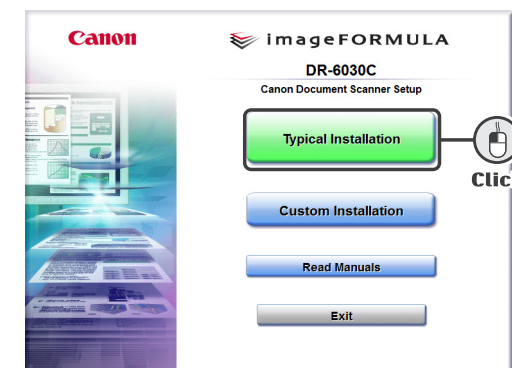


For Windows Vista

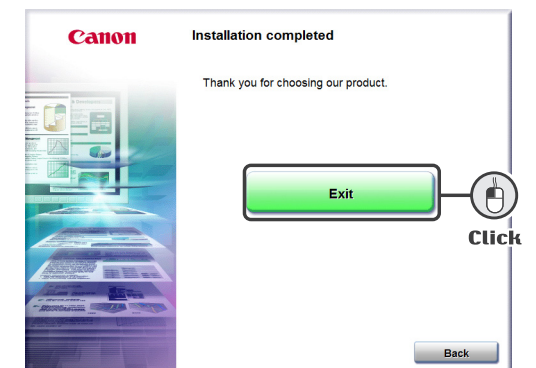
When the "User Account Control" screen appears, log on as an administrator and click [OK].



2. Click [Typical Installation] and follow the instructions to install the software.



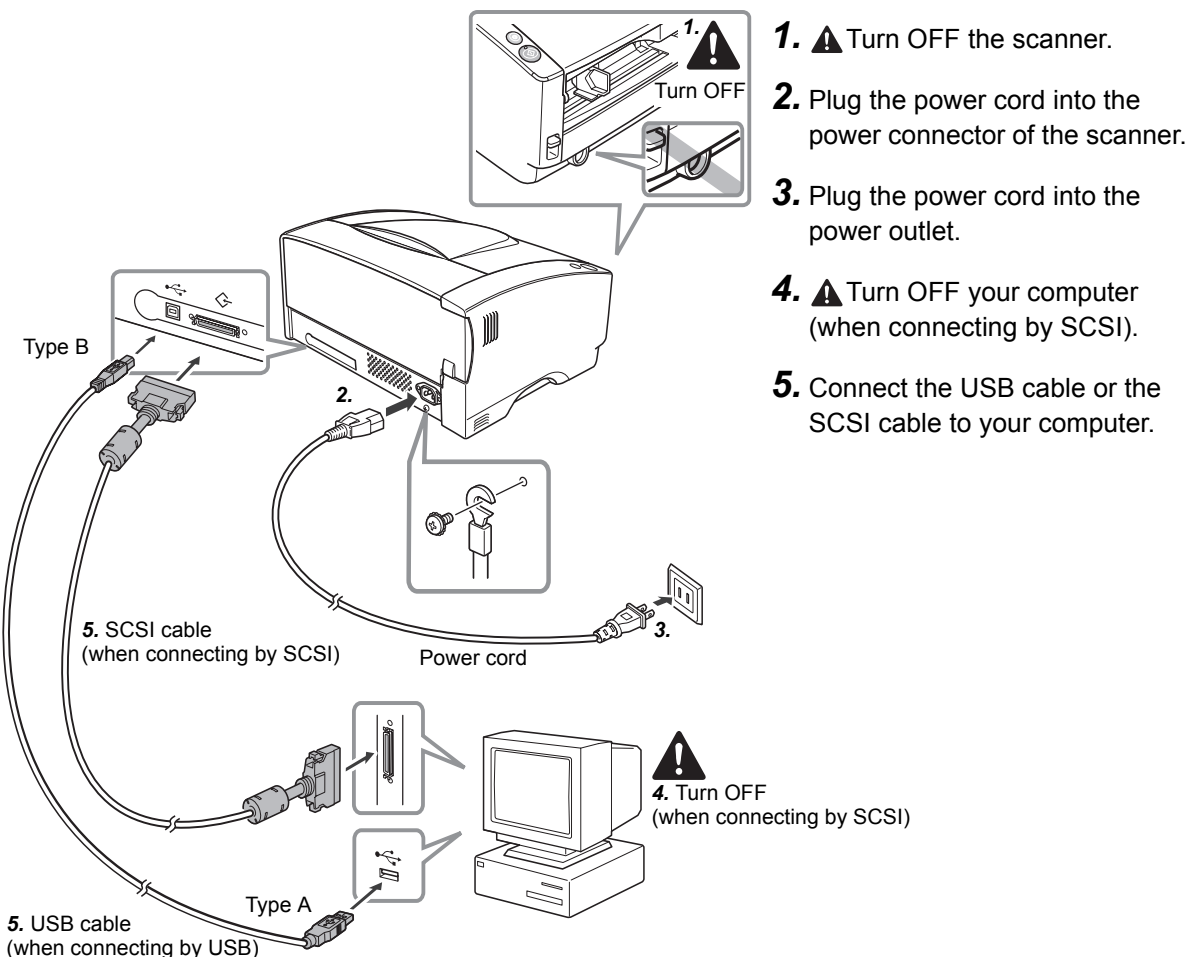
3. After the installation click [Exit] to close the installation window.



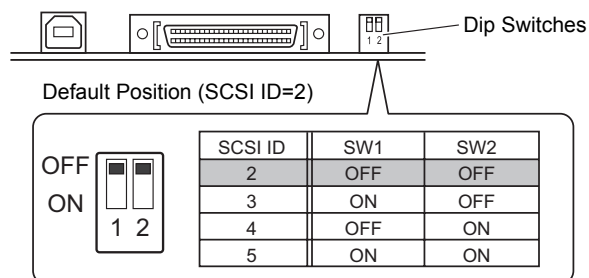
STEP 4 Connecting the Scanner to Your PC

Connect the scanner with the following 1 to 5 procedures. The scanner can be connected to a computer in two ways. Select a connection method appropriate to your computing environment.

- “USB connection”...connecting to a standard USB port on the computer.
- “SCSI connection”...connecting an SCSI card to one of the computer's expansion slots.



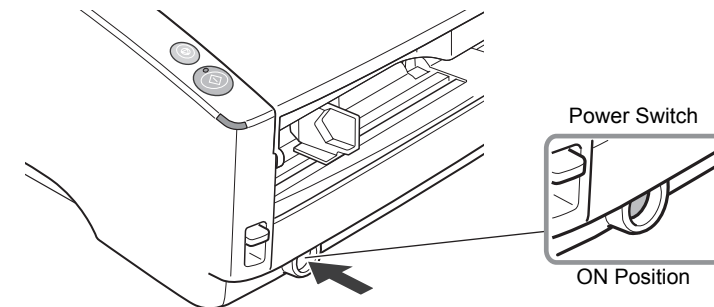
- Do not use both a USB connection and an SCSI connection at the same time.
- Use only the supplied power cord.
- SCSI cable is not supplied. Acquire an SCSI cable beforehand that matches the shape of the connectors on your SCSI card and the scanner.
- When using the scanner in a daisy chain connection with other SCSI devices, pay attention to the following points:
 - The default setting for the SCSI ID is “SCSI ID=2.” Set the dip switches so that the scanner's SCSI ID is different from all other SCSI devices on the chain.
 - The scanner has a built-in SCSI terminator that is permanently set to [ON]. When using the scanner in a daisy chain connection, make sure that it is connected as the terminating device and that the terminators of all other SCSI devices in the chain have been set to [OFF].



STEP 5 Turning On the Power (Scanner Recognition)

When you turn the scanner connected to the PC ON, the plug-and-play function recognizes the scanner, and the device driver is automatically installed.

1. Check the connection between the scanner and the computer.
2. Turn ON the scanner.
3. Turn ON your computer (when connecting by SCSI).
4. Windows recognizes the scanner and performs installation automatically.



- When the scanner is connected by an SCSI cable, always turn on the scanner before the computer. Turning on the computer first may prevent it from recognizing the scanner properly.
- Log on to Windows with an account that has administrator privileges.
- Wait at least 10 seconds before turning the scanner on again after turning it off.



- When installation is finished, a balloon help pop-up appears.
- The scanner is registered on the computer as “CANON DR-6030C USB” (or “CANON DR-6030C SCSI”) in the “Imaging Device” directory of the Device Manager.

STEP 6 Selecting the Scanner

You must select your scanner before using it with an ISIS- or TWAIN- compatible scanning application or “CapturePerfect 3.0” installed on step 3.

When you select your scanner with the “Using CapturePerfect 3.0.” (p. 32)

If you use another application, refer to the manual for your scanning application when selecting the scanner.

The setup is now complete.

FCC REGULATIONS (For 120 V model)

Document Scanner, Model M111061

This device complies with Part 15 of the FCC Rules. Operation is subject to the following two conditions: (1) This device may not cause harmful interference, and (2) this device must accept any interference received, including interference that may cause undesired operation.

Note: This equipment has been tested and found to comply with the limits for a Class B digital device, pursuant to Part 15 of the FCC Rules. These limits are designed to provide reasonable protection against harmful interference in a residential installation. This equipment generates, uses, and can radiate radio frequency energy and, if not installed and used in accordance with the instructions, may cause harmful interference to radio communications. However, there is no guarantee that interference will not occur in a particular installation. If this equipment does cause harmful interference to radio or television reception, which can be determined by turning the equipment off and on, the user is encouraged to try to correct the interference by one or more of the following measures:

- Reorient or relocate the receiving antenna.
- Increase the separation between the equipment and receiver.
- Connect the equipment into an outlet on a circuit different from that to which the receiver is connected.
- Consult the dealer or an experienced radio/TV technician for help.

Use of shielded cable is required to comply with class B limits in Subpart B of Part 15 of FCC Rules.

Do not make any changes or modifications to the equipment unless otherwise specified in the manual. If such changes or modifications should be made, you could be required to stop operation of the equipment.

Canon U.S.A. Inc.

One Canon Plaza, Lake Success NY 11042, U.S.A.

Tel. No. (516)328-5600

RADIO INTERFERENCE REGULATIONS (For 120 V models)

This digital apparatus does not exceed the Class B limits for radio noise emissions from digital apparatus as set out in the Interference-causing equipment standard entitled "Digital Apparatus", ICES-003 of the Industry Canada.

RÈGLEMENT SUR LE BROUILLAGE RADIOÉLECTRIQUE (For 120 V models)

Cet appareil numérique respecte les limites de bruits radioélectriques applicables aux appareils numériques de Classe B prescrites dans la norme sur le matériel brouilleur: "Appareils Numériques", NMB-003 édictée par l'Industrie Canada.

MODEL NAMES

The following names may be provided for the safety regulations in each sales region of this Document Scanner.

Model DR-6030C: M111061

READ CAREFULLY BEFORE OPENING THE SEALED DISK PACKAGE

CANON SOFTWARE LICENSE AGREEMENT

IMPORTANT-READ THIS AGREEMENT BEFORE OPENING THE SEALED DISK PACKAGE! BY OPENING THE SEALED DISK PACKAGE, YOU ARE DEEMED TO AGREE TO BE BOUND BY THIS AGREEMENT.

This legal document is a license agreement between you and Canon Electronics Inc. ("Canon"). BY OPENING THE SEALED DISK PACKAGE, YOU ARE DEEMED TO AGREE TO BE BOUND BY THE TERMS OF THIS AGREEMENT. IF YOU DO NOT AGREE TO THE TERMS OF THIS AGREEMENT, DO NOT OPEN THE SEALED DISK PACKAGE AND PROMPTLY RETURN THE CANON SCANNER, THE DISK PACKAGE CONTAINING SCANNER DRIVER SOFTWARE PROGRAMS AND/OR SCANNER UTILITY SOFTWARE PROGRAM PROPRIETARY TO CANON OR ITS LICENSOR (THE "SOFTWARE") AND THE ACCOMPANYING DOCUMENTATION AND OTHER ITEMS TO THE PLACE WHERE YOU OBTAINED THEM FOR A REFUND BEFORE THEY ARE USED OR OPENED OR UNPACKED.

In consideration of the right to use the SOFTWARE, you agree to abide by the terms and conditions of this Agreement.

1. GRANT OF LICENSE: Canon grants you the personal, non-exclusive right to use the SOFTWARE only on a single computer. You shall need to obtain multiple licenses separately from Canon when you shall install the SOFTWARE on multiple computers.

You shall not assign, sublicense, sell, rent, lease, loan, convey or transfer to any third party, or send or bring the SOFTWARE out of the country where you originally obtain it to other countries without required authorization of applicable governments, or copy, duplicate, translate or convert to another programming language the SOFTWARE or accompanying documentation, except as expressly provided herein.

Except as expressly permitted under the applicable law, you shall not alter, modify, disassemble, decompile or otherwise reverse engineer the SOFTWARE or accompanying documentation and you also shall not have any third party do so.

2. BACK-UP COPY: You may make one copy of the SOFTWARE solely for a back-up purpose or copy the SOFTWARE onto the permanent storage device (e.g. a hard disk) of your computer and retain the original for a back-up purpose. Except as expressly permitted under the applicable law, any other copying of the SOFTWARE is a violation of this Agreement. You must reproduce and include the copyright notice on the back-up copy.

3. SUPPORT AND UPDATE: Canon, Canon's affiliate, their distributor or dealer is not responsible for maintaining or helping you to use the SOFTWARE. No updates, fixes or support will be made available for the SOFTWARE.

4. LIMITED WARRANTY AND DISCLAIMER OF INDEMNITY: Canon, Canon's affiliate, their distributor or dealer will not guarantee uninterrupted service, or absence or correction of errors. Therefore, the SOFTWARE is licensed on an "AS IS" basis without warranty of any kind. The diskette on which the SOFTWARE is recorded is warranted against defective material or workmanship under normal use for a period of ninety (90) days from the date you purchased the same as evidenced by a receipt or otherwise. The limited warranty does not apply if the failure of the diskette resulted from accident, abuse or misapplication of the SOFTWARE and shall not extend to anyone other than the original user of the SOFTWARE.

CANON, CANON'S AFFILIATE, THEIR DISTRIBUTOR OR DEALER DISCLAIMS ALL IMPLIED WARRANTIES, INCLUDING ANY WARRANTY OF MERCHANTABILITY OR FITNESS FOR A PARTICULAR PURPOSE, WITH RESPECT TO THE SOFTWARE OR ACCOMPANYING DOCUMENTATION.

NEITHER CANON, CANON'S AFFILIATE, THEIR DISTRIBUTOR NOR DEALER IS LIABLE FOR ANY LOSS OR DAMAGE INCLUDING CONSEQUENTIAL OR INCIDENTAL LOSS OR DAMAGE SUCH AS LOSS OF PROFITS, EXPENSE OR INCONVENIENCE, WHATSOEVER CAUSED BY OR ARISING OUT OF THE SOFTWARE, ACCOMPANYING DOCUMENTATION OR THE USE THEREOF.

CANON, CANON'S AFFILIATE, THEIR DISTRIBUTOR OR DEALER SHALL HAVE NO OBLIGATION TO INDEMNIFY YOU AGAINST ANY CLAIM OR SUIT BROUGHT BY A THIRD PARTY ALLEGING THAT THE SOFTWARE, ACCOMPANYING DOCUMENTATION OR THE USE THEREOF INFRINGES ANY INTELLECTUAL PROPERTY OF SUCH THIRD PARTY.

THE ABOVE IS CANON'S ENTIRE LIABILITY AND YOUR EXCLUSIVE REMEDY IN CONNECTION WITH THE SOFTWARE AND ACCOMPANYING DOCUMENTATION.

5. TERM: This Agreement is effective upon opening the sealed disk package and remains in effect until terminated. You may terminate this Agreement by destroying the SOFTWARE and any copy thereof. This Agreement will also terminate if you fail to comply with any of the terms of this Agreement. In addition to Canon enforcing its respective legal rights, you must then promptly destroy the SOFTWARE and any copy thereof.

6. U.S. GOVERNMENT RESTRICTED RIGHTS NOTICE: The SOFTWARE is provided with RESTRICTED RIGHTS. Use, duplication or disclosure is subject to restrictions as set forth in either subparagraph (c) (1) (ii) of the Rights in Technical Data and Computer Software clause at DFARS 252.227-7013 or subparagraph (c) (1) and (2) of the Commercial Computer Software Restricted Rights Clause at FAR 52.227-19, as applicable.

7. SEVERABILITY: In the event that provision of this Agreement is declared or found to be illegal by any court or tribunal of competent jurisdiction, such provision shall be null and void with respect to the jurisdiction of that court or tribunal and all the remaining provisions of this Agreement shall remain in full force and effect.

8. ACKNOWLEDGEMENT: BY OPENING THE SEALED DISK PACKAGE, YOU ACKNOWLEDGE THAT YOU HAVE READ THIS AGREEMENT, UNDERSTOOD IT, AND AGREE TO BE BOUND BY ITS TERMS AND CONDITIONS. YOU ALSO AGREE THAT THIS AGREEMENT IS THE COMPLETE AND EXCLUSIVE STATEMENT OF AGREEMENT BETWEEN YOU AND CANON CONCERNING THE SUBJECT MATTER HEREOF AND SUPERSEDES ALL PROPOSALS OR PRIOR AGREEMENTS, VERBAL OR WRITTEN, AND ANY OTHER COMMUNICATIONS BETWEEN YOU AND CANON RELATING TO THE SUBJECT MATTER HEREOF. NO AMENDMENT TO THIS AGREEMENT SHALL BE EFFECTIVE UNLESS SIGNED BY A DULY AUTHORIZED REPRESENTATIVE OF CANON.

Should you have any questions concerning this Agreement, or if you desire to contact Canon for any reason, please write to Canon's local affiliate.

International ENERGY STAR Program



As an ENERGY STAR® Partner, Canon Electronics Inc., has determined that this machine meets the ENERGY STAR® Program guidelines for energy efficiency.

The International ENERGY STAR® Office Equipment Program is an international program that promotes energy saving through the use of computers and other office equipment. The program backs the development and dissemination of products with functions that effectively reduce energy consumption. It is an open system in which business proprietors can participate voluntarily. The targeted products are office equipment, such as computers, monitors, printers, fax, machine, copiers, and scanners. The standards and logos are uniform among participating nations.

Under factory default settings, the scanner will enter Sleep Mode after 10 seconds of inactivity. Although you can change the period of time before the scanner enters Sleep Mode to up to 240 minutes, we recommend using the default setting.

Trademarks

- Canon and the Canon logo are registered trademarks of Canon Inc. in the United States and may also be trademarks or registered trademarks in other countries.
- Microsoft and Windows are registered trademarks of Microsoft Corporation in the United States and other countries.
- ISIS is a trademark of EMC Corporation, in the United States.
- Intel and Pentium are registered trademarks of Intel Corporation.
- ENERGY STAR® is a U.S. registered mark.
- Adobe is the registered trademark of Adobe Systems Incorporated in the United States and/or other countries.
- Adaptec is registered trademark of Adaptec Inc.
- Other product and company names herein may be the trademarks of their respective owners.

Copyright

Copyright 2010 by CANON ELECTRONICS INC. All rights reserved.

No part of this publication may be reproduced or transmitted in any form or by any means, electronic or mechanical, including photocopying and recording, or by any information storage or retrieval system without the prior written permission of CANON ELECTRONICS INC.

Disclaimers

The information in this document is subject to change without notice.

CANON ELECTRONICS INC. MAKES NO WARRANTY OF ANY KIND WITH REGARD TO THIS MATERIAL, EITHER EXPRESS OR IMPLIED, EXCEPT AS PROVIDED HERE IN, INCLUDING WITHOUT LIMITATION, THERE OF, WARRANTIES AS TO MARKETABILITY, MERCHANTABILITY, FITNESS FOR A PARTICULAR PURPOSE OF USE OR NON-INFRINGEMENT. CANON ELECTRONICS INC. SHALL NOT BE LIABLE FOR ANY DIRECT, INCIDENTAL, OR CONSEQUENTIAL DAMAGES OF ANY NATURE, OR LOSSES OR EXPENSES RESULTING FROM THE USE OF THIS MATERIAL.

INTRODUCTION

Thank you for purchasing the Canon DR-6030C document scanner. Please read this manual thoroughly before using the machine to familiarize yourself with its capabilities, and to make the most of its many functions. After reading this manual, store it in a safe place for future reference.

Manuals for the Scanner

The DR-6030C Scanner has a User's Guide (this manual) included in the package, a CapturePerfect 3.0 Operation Guide, and Online Help. For details on checking the packing list, software installation, computer connections, and scanner setup, see the Easy Start Guide on foldout page in this manual. For details on preparing the scanner, and details on scanning and how to handle the scanner, see the User's Guide.

The following describes the manuals packaged with the scanner. Before you start using the scanner, be sure to read this User's Guide.

Easy Start Guide (foldout page in this manual)

This manual describes the procedure for removing the scanner from its box through to setting up the scanner for scanning.

User's Guide (this manual)

This manual describes the basic operations for using the scanner, performing routine maintenance, and troubleshooting, and provides the scanner specifications.

CapturePerfect 3.0 Operation Guide (PDF manual)

CapturePerfect 3.0 and its Operation Guide are both installed on your computer with CapturePerfect 3.0 Operation Guide. (See p. 34.)

Symbols Used in This Manual

The following symbols are used in this manual to explain procedures, restrictions, handling precautions, and instructions that should be observed for safety.



WARNING

Indicates a warning concerning operations that may lead to death or injury to persons if not performed correctly. To use the machine safely, always pay attention to these warnings.



CAUTION

Indicates a caution concerning operations that may lead to injury to persons, or damage to property if not performed correctly. To use the machine safely, always pay attention to these cautions.



IMPORTANT

Indicates operational requirements and restrictions. Be sure to read these items carefully to operate the machine correctly, and avoid damage to the machine.



Note

Indicates a clarification of an operation, or contains additional explanations for a procedure. Reading these notes is highly recommended.

Contents

Easy Start Guide	Foldout
INTRODUCTION	1
Manuals for the Scanner	1
Symbols Used in This Manual	2
Chapter 1 Before Using the Scanner	5
1. Important Safety Instructions	6
Installation Location	6
Power	7
Moving the Scanner	7
Handling	8
Disposal	9
2. Features of the DR-6030C Document Scanner	10
3. Names and Functions of Parts	13
4. Installation Requirements	15
5. About the Setup Disc	17
Chapter 2 Using the Scanner	19
1. Documents	20
2. Preparing the Trays	22
Setting Up the Document Feed Tray	22
Document Eject Tray	23
Installing the Document Eject Guide	25
3. Placing Documents	27
How to Feed with the Page Separation Mode	27
How to Feed with the Bypass Mode	30
4. Scanning Documents	32
Using CapturePerfect 3.0	32
Starting CapturePerfect 3.0 with the Start Button	40
Before using Adobe Acrobat 9.0	45
5. Using Patchcode Sheets	47
About Patchcode Sheets	48
Patchcode Pattern Function	49
How to Use Patchcode Sheets	49
6. Clearing a Paper Jam	51
7. Other Functions	54
Double Feed Detection Function	54
Skew Detection Function	55
Long Document Mode	55
Standby Mode Settings	61
MultiStream Function	62

Chapter 3 Software Setup	63
1. ISIS/TWAIN Driver Properties Dialog Box	64
[Basic] Tab Sheet	65
[Brightness] Tab Sheet	74
[Image processing] Tab Sheet	78
[Others] Tab Sheet	81
[Addon] Dialog Box	85
2. Practical Examples	92
Scanning Both Sides of Pages	92
Scanning Non-Standard-Size Documents	93
Adjusting the Scan Area	93
Scanning Multiple Documents	94
Image Adjustments for Scanning	96
Prescan	99
Preserving Your Settings	99
Chapter 4 Appendices	101
1. Regular Maintenance	102
Cleaning the Scanner	102
Cleaning the feed path	102
Cleaning the Sensor Glass, Shading Boards, and the Rollers	103
Cleaning the Shading Boards	106
2. Removing and Attaching the Rollers	108
Roller Replacement Cycle	108
Resetting the Counter	109
Removing and Attaching the Pickup Roller	113
Removing and Attaching the Feed Roller	116
Removing and Attaching the Retard Roller	119
3. Troubleshooting	123
4. Uninstalling Software	131
5. Specifications	134
Specifications	134
Options	136
Replacement parts	136
External Dimensions	137
Index	138

Chapter 1

Before Using the Scanner

1. Important Safety Instructions	6
Installation Location	6
Power	7
Moving the Scanner	7
Handling	8
Disposal	9
2. Features of the DR-6030C Document Scanner	10
3. Names and Functions of Parts	13
4. Installation Requirements	15
5. About the Setup Disc	17

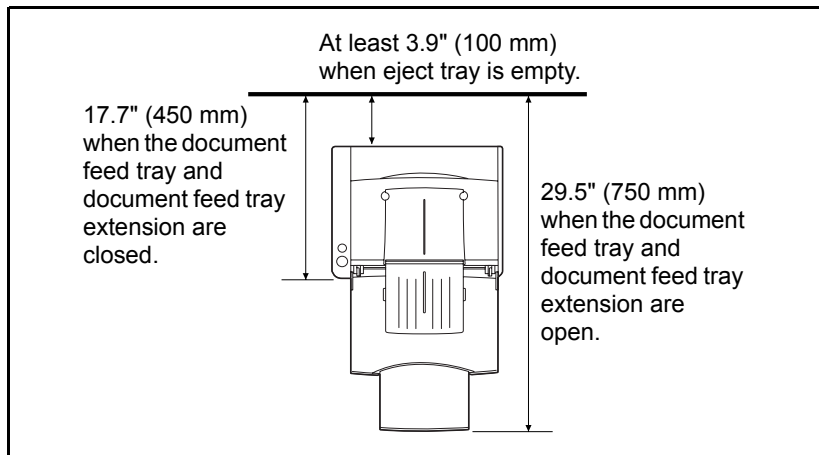
1. Important Safety Instructions

To ensure the safe operation of this scanner, be sure to read the safety warnings and precautions described below.

Installation Location

The performance of this scanner is affected by the environment in which it is installed. Make sure that the location where the scanner is installed meets the following environmental requirements.

- Provide adequate space around the scanner for operation and maintenance.



- If scanned documents are ejected to the back of the scanner, provide adequate space behind the scanner for documents ejected after being scanned. (See “Document Eject Tray,” on p. 23.)
- Avoid installing the machine in direct sunlight. If this is unavoidable, use curtains to shade the scanner.
- Avoid locations where a considerable amount of dust accumulates.
- Avoid warm or humid locations, such as in the vicinity of a water faucet, water heater, or humidifier, and avoid locations where the fumes from ammonia, paint thinner, or other volatile chemicals may be present.
- Avoid locations where ammonia gas is emitted.
- Avoid locations near volatile or flammable materials, such as alcohol or paint thinner.
- Avoid locations that are subject to vibration.
- Avoid exposing the scanner to rapid changes in temperature. If the room in which the scanner is installed is cold but rapidly heated, water droplets (condensation) may form inside the scanner. This may result in a noticeable degradation in scanning quality.

The following conditions are recommended for optimal scanning quality:

Room temperature: 10 °C to 32.5 °C (50 °F to 90.5 °F)

Humidity: 20% to 80% RH

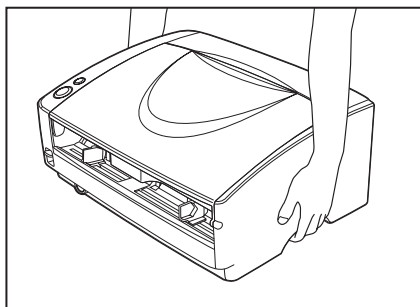
- Avoid installing the scanner near equipment that generates a magnetic field (e.g. speakers, televisions, or radios).

Power

- Connect only to a power outlet of the rated voltage and power supply frequency. (either 120 V, 60 Hz or 220-240 V, 50/60 Hz depending on your region)
- Do not use a power supply that is not rated for the specified voltage. Doing so might cause fire or electric shock.
- Do not connect other electrical equipment to the same power outlet to which the scanner is connected. Also, when using an extension cord, make sure that the extension cord is rated for the current requirements of the scanner.
- The power cord may become damaged if they are often stepped on or if heavy objects are placed on them. Continued use of a damaged power cord can lead to an accident, such as a fire or electrical shock.
- Do not use the power cord while it is coiled.
- Do not pull directly on the power cord. When disconnecting the power cord, grasp the plug and remove it from the outlet.
- Keep the area around the power plug clear of objects so that the power cord can be disconnected easily in an emergency.
- If you have any questions regarding the power supply, contact your local authorized Canon dealer or service representative for further information.

Moving the Scanner

- When moving the scanner, always hold it with both hands to avoid dropping it. The scanner weighs approximately 23 lb (10.2 kg) alone.



- Make sure to disconnect the interface cable and power cord. If the scanner is transported with these items plugged in, the plugs and connectors may be damaged due to physical shock.

Handling

WARNING

Note the following precautions whenever using the scanner. Failure to do so may result in a fire or electric shock.

- Never use alcohol, benzene, paint thinner, aerosol sprays, or any other highly flammable substance near the scanner.
- Do not cut, damage, or modify the power cord. Do not place heavy objects on the power cord, and do not pull or excessively bend the power cord.
- Never connect the power cord when your hands are wet.
- Do not connect the scanner to a multi plug power strip.
- Do not knot or coil the power cord as this may result in a fire or electric shock. When connecting the power cord, make sure that the power plug is securely and completely inserted into the power outlet.
- Do not use power cords other than the power cord provided with this scanner.
- Never try to take the scanner apart or modify it in any way, as this is dangerous and may lead to a fire or electric shock.
- Do not use flammable aerosol sprays products near the scanner.
- When cleaning the scanner, turn the power switch OFF and disconnect the power cord from the power supply.
- Clean the scanner using a slightly dampened cloth which has been well wrung out. Never use alcohol, benzene, paint thinner, or any other flammable substances.
- If the scanner makes strange noises, or gives off, smoke, heat, or strange odors, or the scanner does not function or other abnormalities occur when you use the machine, immediately turn the power switch OFF, and disconnect the power plug from the power outlet. Then, contact your local authorized Canon dealer or the service representative for further information.
- Do not drop the scanner, or subject it to impact or strong shock. Should the scanner ever become damaged, immediately turn the power switch OFF, and disconnect the power plug from the power outlet. Then, contact your local authorized Canon dealer or service representative to have the unit serviced.
- Before moving the scanner, be sure to turn the power switch OFF, and disconnect the power plug from the power outlet.

CAUTION

- Do not install the scanner on a surface that is unstable or tilted, or in an area subject to excessive vibrations, as this may cause the scanner to fall, resulting in personal injury or damage to the scanner.

- **Do not block ventilation openings.** Doing so could cause the scanner to overheat, creating a risk of fire.
- **Never place small metal objects such as staples, paper clips, or jewelry on the scanner.** These items may fall into the scanner, and cause a fire or electric shock. Should such objects ever fall inside the scanner, immediately turn the power switch OFF, and disconnect the power plug from the power outlet. Then, contact your local authorized Canon dealer or service representative to have the unit serviced.
- **Do not locate the scanner in a humid or dusty location.** Doing so might cause fire or electric shock.
- **Do not place objects on top of the scanner.** Such objects may tip or fall over, resulting in personal injury.
- **When unplugging the power cord, grasp it firmly by its plug.** Do not pull directly on the power cord, as this may damage or expose the cord's internal wiring, resulting in a fire or electric shock.
- **Leave sufficient space around the power plug so that it can be unplugged easily.** If objects are placed around the power plug, you will be unable to unplug it in an emergency.
- **Do not allow water or flammable substances (alcohol, paint thinner, benzene, etc.) to spill into the scanner, as this may result in a fire or electric shock.**
- **Turn OFF the power switch for safety when not using the scanner for a long period of time, such as overnight.** Also, turn OFF the power switch, and disconnect the power cord from the power outlet for safety when the machine will not be used for an extended period of time, such as during consecutive holidays.
- **Do not wear loose clothing or jewelry that may get caught in the scanner while you are using it.** This may result in personal injury. Be extra careful of neckties and long hair. If anything becomes caught in the scanner, immediately disconnect the power cord to stop the scanner.
- **Be careful when placing paper in the scanner and when removing jammed paper.** It is possible to cut your hand on the edge of a sheet of paper.

Disposal

- When disposing of this scanner, be sure to follow all local ordinances and laws or consult with the retailer who sold you the scanner.

2. Features of the DR-6030C Document Scanner

The main features of the DR-6030C document scanner are described below.

■ **Fast Document Feeding**

The scanner can scan a maximum of 60 documents per minute in a range of sizes from business cards to A3 size. (Scanning conditions: Black and white, LTR/A4 size portrait, two sided, 200 dpi.)

■ **USB/SCSI interface supported**

USB interface that was provided as standard on your computer and SCSI extension cards are both supported. (See “Installation Requirements,” on p. 15.)

■ **Color/Grayscale Support**

Documents can be scanned in 24-bit color or 256-level grayscale.

■ **Supports a Variety of Scanning Modes**

The scanner supports the following scanning modes, depending on the document type:

- Single-sided/double-sided mode
- Single sheet/dual feeding path

■ **U-Turn Path**

Documents are fed and ejected from the front of the scanner. (See “Document Eject Tray,” on p. 23.)

■ **Straight Path**

Documents are ejected to the back of the scanner. Note, the ejected documents are stacked in reverse order to how they were fed. (See “Document Eject Tray,” on p. 23.)

■ **Paper Size Detection**

The scanner automatically detects the size of a scanned document and eliminates any unnecessary space around the edges of the image when storing it, even when storing a document of irregular size. (See “Page Size,” on p. 68.)

■ **Double Feed Detection**

The scanner stops feeding documents after detecting more than one document being fed at the same time. (See “Double Feed Detection Function,” on p. 54.)

■ **Skew Detection**

The scanner stops feeding documents after detecting skewed document hitting the edges of the document feed opening. (See “Skew Detection Function,” on p. 55.)

■ Deskew

The scanner straightens an image after detecting an image on a document that was loaded askew. (See “[Deskew] Check Box,” on p. 70.)

■ Auto Color Detection

The scanner detects whether the scanned document is in color or black-and-white, and save the image accordingly. (See “[Auto Color Detection],” on p. 66.)

■ Card Scan

It is possible to scan business card. (See “Documents,” on p. 20.)

■ Character Orientation Detector

Identifies the orientation of characters in a document, and rotates the image so the orientation of the scanned characters is straight. (See “[Text Orientation Recognition] Check Box,” on p. 79.)

■ Advanced Text Enhancement

Documents with dark backgrounds or documents with faint text written in pencil can be scanned clearly. (See “Mode,” on p. 66.)

* This function sometimes does not function effectively on some documents.

■ Dropout Color

The scanner is equipped with a Dropout Color function that allows you to specify a color for the scanner to omit from scanned images. (See “Color Drop-Out,” on p. 80.)

■ Auto Start

The scanner is equipped with an Auto Start function that automatically initiates scanning when a document is placed in the document feed tray. (See “Feeding Option,” on p. 83.)

■ Skip Blank Page Function

The scanner is equipped with a Skip Blank Page function that allows it to scan a document regardless of whether every document is two-sided or one-sided. (See “Scanning Side,” on p. 69.)

■ Prescan Function

The scanner is equipped with a Prescan function that allows you to adjust the contrast and brightness of a prescanned image and then send the adjusted image to the application software, without needing to scan the document again. (See “[Prescan] Check Box,” on p. 84 and “Prescan,” on p. 99.)

■ MultiStream Function

The scanner supports MultiStream, which, according to the application, can create two images with different scanning conditions from one image.

However, this function can only be used when the software supports MultiStream. (See “MultiStream Function,” on p. 62.)

- **Remove Binder Holes**

Deletes black spots left when scanning documents that have had holes punched in them to be stored in a binder. (See “[Border Removal] Check Box,” on p. 79.)

- **Long Paper Compatibility**

You can scan documents that are a maximum of 118.1 inches (3000 mm) long by setting the scanner in the Long document mode. (See “Long Document Mode,” on p. 55.)

- **Compatible with Carbonless Duplicating Paper**

The scanner is able to scan carbonless duplicating paper.

- **Energy Saving Mode**

This scanner is compatible with the International Energy Star Program, and is designed to save power by using the energy saving feature except when scanning is being performed. (See “Standby Mode Settings,” on p. 61.)



Note

Some functions may not be available depending on the software you are using.

3. Names and Functions of Parts

This section describes the name and function of each part. Make sure to read this section and familiarize yourself with the parts of the scanner before using the scanner.

■ Front (Feed Tray Open)

Document Eject Guide

Attach it to prevent thin or long documents from jamming when being scanned. (See p. 25.)

Document Eject Tray Extension

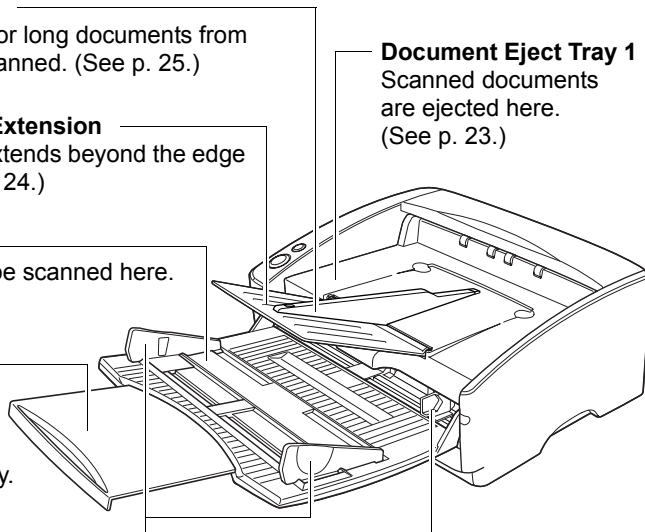
Open if the document extends beyond the edge of the eject tray. (See p. 24.)

Document Feed Tray

Place the document to be scanned here. (See p. 22.)

Document Feed Tray Extension

Pull this tray out if the document hangs over the edge of the main tray. (See p. 22.)



Document Eject Tray 1

Scanned documents are ejected here. (See p. 23.)

Document Guides

Adjust them to align with the width of the document. (See p. 28 and p. 30.)

Document Guides 2

Adjust them to align with the width of the document. (See p. 28 and p. 30.)

■ Controls

Stop Button

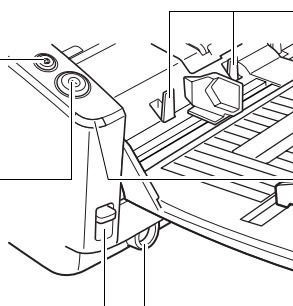
Push it to stop scanning.

Start Button

Push it to start scanning.

Feed Selection Lever

Use it to change the way the documents are fed. Move it up (☺) to continuously feed documents (page separation mode). (See p. 27.) Move it down (☹) to feed documents one at a time or to feed documents that are fastened together, such as invoices, without separating them (bypass mode). (See p. 30.)



Document Stoppers

Moves up and down according to the paper feed switch lever. (See p. 27 and p. 30.)

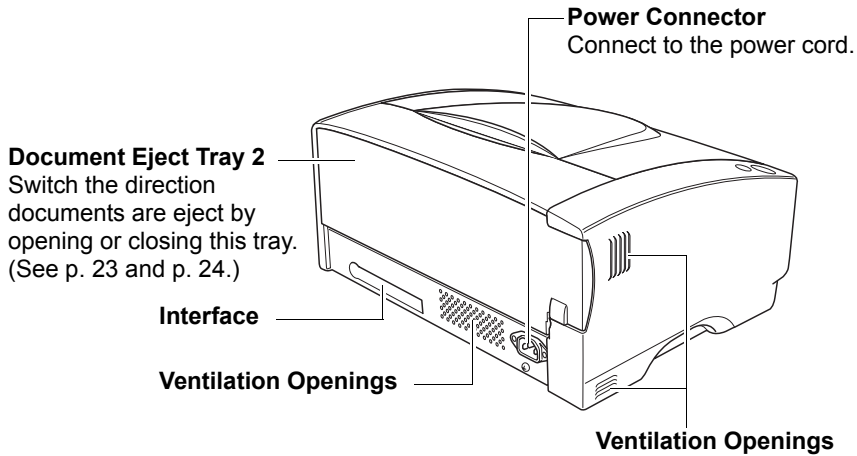
Power Indicator

This indicator lights when the scanner is turned ON.

Power Switch

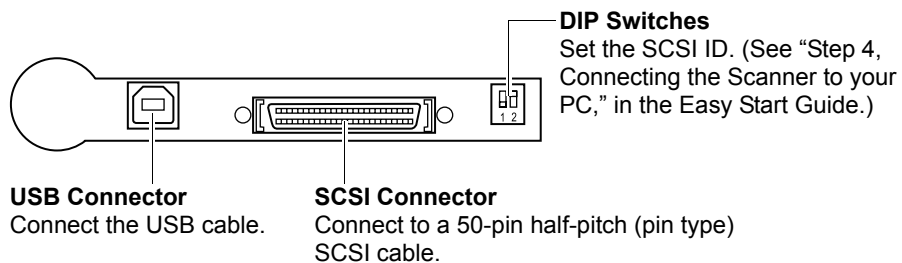
This switch is used to turn the scanner on.

■ Rear



⚠ CAUTION
Do not block the ventilation openings. Doing so could cause the scanner to overheat, creating a risk of fire.

■ Interfaces



⚠ CAUTION
Do not connect both a USB cable and a SCSI cable at the same time. Doing so may cause a malfunction.

4. Installation Requirements

To use the DR-6030C, your computer must satisfy the following system requirements.

- One of the following operating systems:
 - Microsoft Windows XP Professional SP3 or later
 - Microsoft Windows XP Home Edition SP3 or later
 - Microsoft Windows XP Professional x64 Edition SP2 or later
 - Microsoft Windows Vista Home Basic SP2 or later
 - Microsoft Windows Vista Home Premium SP2 or later
 - Microsoft Windows Vista Business SP2 or later
 - Microsoft Windows Vista Ultimate SP2 or later
 - Microsoft Windows Vista Enterprise SP2 or later
 - Microsoft Windows 7 Home Premium x32 Edition/x64 Edition
 - Microsoft Windows 7 Professional x32 Edition/x64 Edition
 - Microsoft Windows 7 Ultimate x32 Edition/x64 Edition
- A computer that meets the following specifications:
 - CPU: Celeron M, 1.4 GHz or faster
 - Memory: 512 MB or more
 - Hard disk: 1 GB or more available space
 - USB interface or SCSI board
 - Monitor: Resolution of 1024 × 768 (XGA) or better recommended.
- USB interface complies with the following:
 - Hi-Speed USB 2.0/USB Full-Speed (equal to USB 1.1)
- Use the following recommended SCSI cards with the scanner.
 - SCSI cards made by Adaptec (for PCI bus)
 - AVA-2915LP
 - AVA-2930LP
 - SCSI card made by RATO Systems (for Card bus)
 - REX-CB31
- An ISIS-compatible application or a TWAIN-compatible application that is compatible with the above operating systems.



IMPORTANT

- If you do not know the requirements for your computer system, contact the store where you purchased the computer or the manufacturer of the computer for more information.
- Do not connect both a USB interface and a SCSI card at the same time.
- Note the following points when using the USB interface that was provided as standard with your computer.
 - Use the most recently available USB 2.0 driver provided by Microsoft. Contact your local authorized Canon dealer for more detailed information.

-
- Not all USB interfaces provided as standard with personal computers are guaranteed. Contact your local authorized Canon dealer for more detailed information.
 - Scanning speeds are lower if your computer's standard USB interface is USB Full-Speed (equal to USB 1.1).
 - The USB cable you are using should be the one originally bundled with the scanner or a Hi-Speed USB 2.0 compatible cable.
 - Note the following points when using a SCSI card.
 - Be sure to use the procedure in the manual for the SCSI card and the computer that you are using when installing a SCSI card in your computer.
 - The overall length of the SCSI cable you can use is determined by the SCSI standards. Refer to the manual for the SCSI card you are using for more information.
 - When using the ASC-19160 SCSI card in Windows XP, make sure that your driver version is 6.2.0.0 or later. Download the driver from the Adaptec Web site if necessary.
 - If the CPU, memory, interface card, and other specifications do not satisfy the installation requirements, the scanning speed may be greatly reduced and transmission may take a long time.
 - Even if the computer satisfies the recommended specifications, the scanning speed may vary, depending on the scan settings.
 - The ISIS/TWAIN Drivers provided with the scanner do not necessarily operate on all ISIS- or TWAIN-compatible applications. For details, contact your application software retailer.



CAUTION

Precautions for Use in 64-bit Operating Systems

- **The ISIS/TWAIN driver supplied with this product supports scanning with 32-bit applications only.**
- **Even with 32-bit applications, not all ISIS/TWAIN compliant applications are guaranteed to operate.**
- **Scanning speed may vary depending on the specifications of your computer.**

Installing the Software

Follow the installation procedure in the supplied manual to install the software. When following the procedure, substitute any differences in terminology with the user interface and folder names that are appropriate for your operating system.

5. About the Setup Disc

The Canon DR-6030C scanner setup disc contains the software listed below:

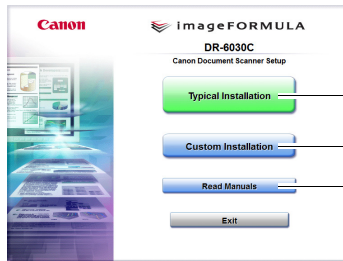
- **DR-6030C Driver**
Scanner driver for use with the DR-6030C scanner.
- **CapturePerfect 3.0**
ISIS-compatible application developed for Canon document scanners.



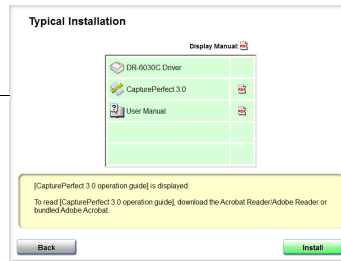
Note

The following shows how the DR-6030C setup disc is configured. For instructions on how to install the software included on the setup disc, see the Easy Start Guide.

Menu screen

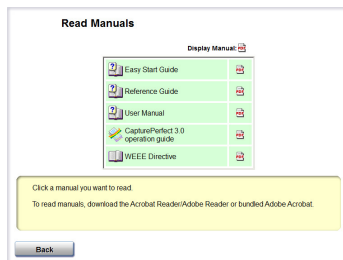


Typical Installation



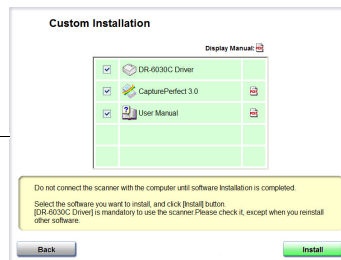
* All of the indicated software is installed.

Read the manual



* The "Easy Start Guide", "User's Guide" and "CapturePerfect 3.0 operation guide" provided with the scanner.

Custom Installation



* Only the software selected in the checkboxes is installed.



Chapter 2

Using the Scanner

1. Documents	20
2. Preparing the Trays	22
Setting Up the Document Feed Tray	22
Document Eject Tray	23
Installing the Document Eject Guide	25
3. Placing Documents	27
How to Feed with the Page Separation Mode	27
How to Feed with the Bypass Mode	30
4. Scanning Documents	32
Using CapturePerfect 3.0	32
Starting CapturePerfect 3.0 with the Start Button	40
Before using Adobe Acrobat 9.0	45
5. Using Patchcode Sheets	47
About Patchcode Sheets	48
Patchcode Pattern Function	49
How to Use Patchcode Sheets	49
6. Clearing a Paper Jam	51
7. Other Functions	54
Double Feed Detection Function	54
Skew Detection Function	55
Long Document Mode	55
Standby Mode Settings	61
MultiStream Function	62

1. Documents

This scanner can scan documents ranging in size from business cards and checks to A3 size documents. It can also scan business cards.

The size of documents that this scanner can scan is shown below.

Eject Direction (*1)	U-Turn Path	Straight Path
Width	2.08" to 11.8" (53 mm to 300 mm)	2.08" to 11.8" (53 mm to 300 mm)
Length (*2)	2.75" to 17" (70 mm to 432 mm)	2.75" to 17" (70 mm to 432 mm)
Weight (*3) Feeding documents are separated	14 to 32 lb bond (52 to 128 g/m ²) 0.0024" to 0.0059" (0.06 mm to 0.15 mm)	11 to 32 lb bond (42 to 128 g/m ²) 0.0020" to 0.0059" (0.05 mm to 0.15 mm)
Feeding documents are not separated	11 to 40 lb bond (42 to 157 g/m ²) 0.0020" to 0.0079" (0.05 mm to 0.20 mm)	11 to 144 lb bond (42 to 546 g/m ²) 0.0020" to 0.0026" (0.05 mm to 0.66 mm)
Business Cards	Cannot be scanned	Can be scanned (not separated) Size: 2.12" × 3.37" (53.9 mm × 85.5 mm) Thickness: 0.03" ± 0.003" (0.76 ± 0.08 mm) without embossing

(*1) For information about the output directions, see "Document Eject Tray," on p. 23.

(*2) You can scan documents that are a maximum of 118.1 inches (3000 mm) long by setting the scanner in the Long document mode. (See "Long Document Mode," on p. 55.)

(*3) For information about feeding a document, see "Placing Documents," on p. 27.



IMPORTANT

A document must meet the following criteria to be scannable:

- When scanning a multipage document, pages must be grouped together so that they have the same size, thickness, and weight. Scanning different types of paper at one time can cause the scanner to jam.
- Scanning documents before the ink is dry can cause problems with the scanner. Always make sure that the ink on a document is dry before scanning it.

- Scanning documents that are written in pencil or similar material can make the rollers dirty, which can then transfer the dirt to subsequent documents. Always clean the rollers after scanning a document written in pencil.
- When scanning a two-sided document that is printed on thin paper, the image on the opposite side of each page may show through. Adjust the scanning intensity in the application software before scanning the document.
- Scanning the following types of documents can cause a paper jam or malfunction. To scan such a document, make a photocopy of the document and then scan the photocopy.



Wrinkled or creased documents



Documents with paper clips or staples



Extremely thin, translucent paper



Curled document



Carbon paper



Torn documents



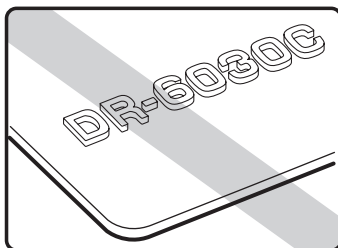
Coated paper

- When you scan a batch of NCR documents, make sure that they are not stuck together.
- Note that glossy documents or business card sometimes cannot be scanned correctly, or functions such as paper size detection and deskew do not function properly due to reflected light.
- When scanning business cards, make sure to select the bypass mode and straight path.



CAUTION

The results of scanning embossed cards are not guaranteed. Note that scanning embossed cards may scratch the sensor glass.



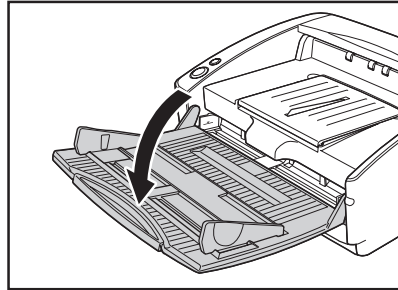
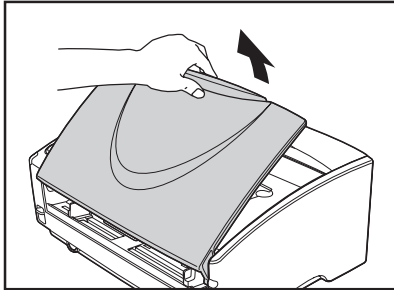
Embossed Card

2. Preparing the Trays

Prepare the document feed tray and document eject tray according to the paper size and feed/eject method.

Setting Up the Document Feed Tray

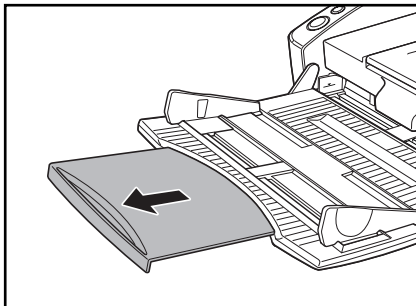
1. Hold the middle of the document feed tray and slowly open it toward you.



CAUTION

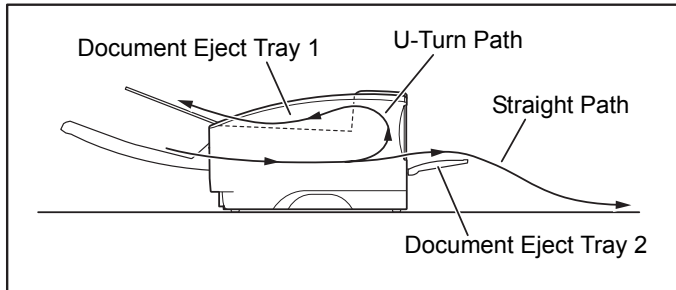
Do not place anything other than documents on the Document feed tray. Doing so may damage the scanner, reduce scanning quality, or cause the feed tray to fall off and injure someone.

2. Pull out the document feed tray extension when scanning large documents.



Document Eject Tray

The scanner has two eject methods; documents can be ejected to the front of the scanner in a U-turn path, or to the back of the scanner in a straight path. This is done according to whether document eject tray 2 is opened or closed. Select the eject method according to what you need to do.

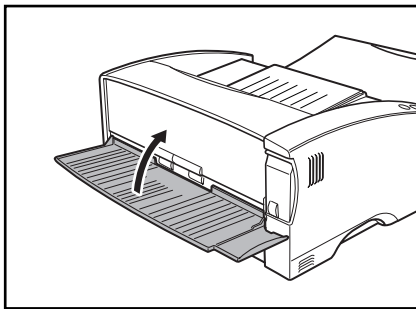


Note

- The U-turn path is used to scan documents on paper of normal thickness. Scanned documents are ejected to the document eject tray.
- The straight path is used to scan documents on thin paper, base paper and business cards that cannot be scanned through the U-turn path. Scanned documents are ejected to the back of the scanner.

Using the U-Turn Path

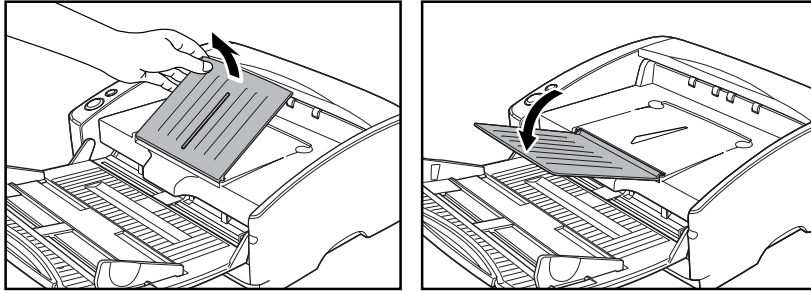
1. If document eject tray 2 is open, close it.



Note

The U-turn path cannot be used if document eject tray 2 is open.

-
2. Pull the document eject tray extension towards you to open it.

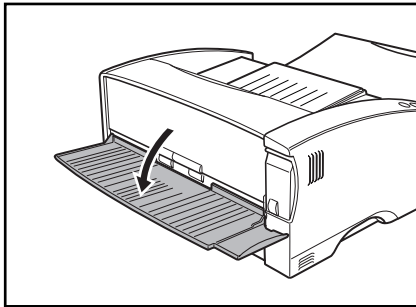


IMPORTANT

Make sure the document eject tray extension is open when using the scanner. If the document eject tray extension is not opened, ejected documents can fall from the tray and become jammed in the scanner.

Using the Straight Path

1. Open document eject tray 2.



Note

When using the straight path, the ejected documents are stacked in reverse order to how they were fed.



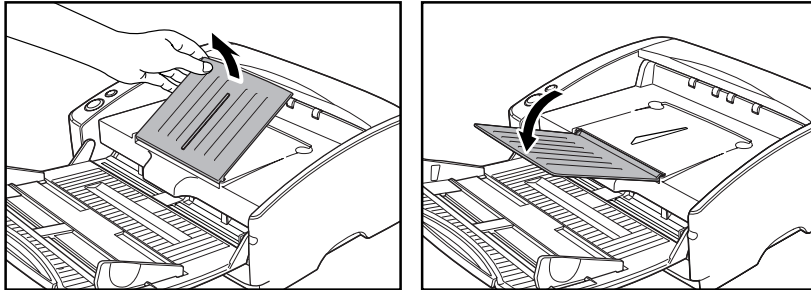
IMPORTANT

- Be sure there is enough space for documents that are ejected behind the scanner when using the straight path. If there is not enough space for ejected documents, the documents may be damaged or a paper jam may occur.
- Open or close document eject tray 2 before starting to scan documents. Opening or closing document eject tray 2 while scanning may cause a paper jam.

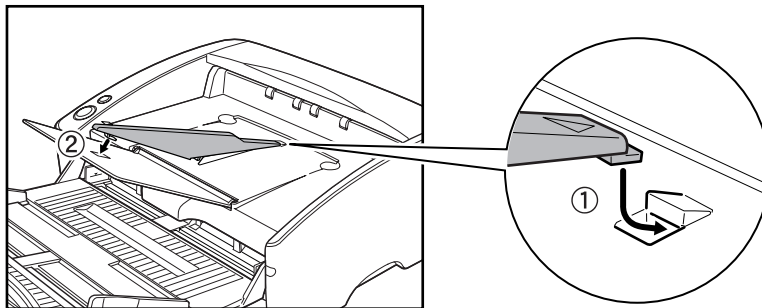
Installing the Document Eject Guide

When scanning a document that is particularly thin or particularly long, it could droop down over the edge of the document eject tray extension and become jammed in the scanner. Avoid this problem by attaching the document eject guide.

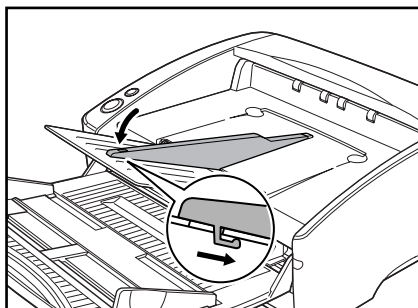
1. Open the document eject tray extension toward you.



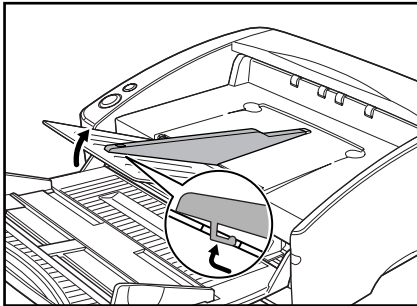
2. Attach the document eject guide in the order ①, ② as shown.



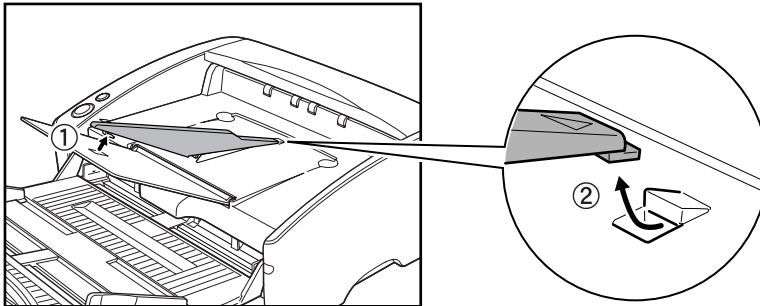
3. Press the document eject guide to attach it to document eject tray extension.



-
- 4.** To remove the document eject guide, lift the document eject tray extension a little and unhook the document eject guide.



- 5.** Reverse the procedure for attaching the document eject guide to remove it.



3. Placing Documents

There are two methods for paper separation, called the page separation mode and bypass mode for feeding documents. Feeding documents continuously from a stack of documents placed in the feed tray is called the page separation mode. Feeding documents one sheet at a time by hand or feeding multiple sheet documents, such as invoices that are attached at one end, is called the bypass mode. The document feed method can be switched by moving the feed selection lever.

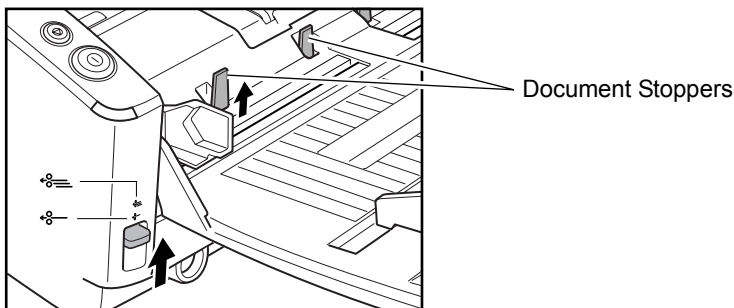


IMPORTANT

- Before you place a document, check to make sure it does not contain paper clips, staples, or other small metal objects. These objects may damage the document, or cause a paper jam or scanner malfunction.
- Do not wear loose clothing or jewelry that may get caught in the scanner while you are using it. This may result in personal injury. Be extra careful of neckties and long hair. If anything becomes caught in the scanner, immediately disconnect the power cord to stop scanning.
- Always smooth out any folds or curls in your documents before placing them into the feeder. If the leading edge of a document is curled, it may cause a paper jam.
- When continuously scanning documents on thin paper in page separation mode, the pages may be wrinkled or folded and cause a paper jam. If this happens, scan the document in the bypass mode.

How to Feed with the Page Separation Mode

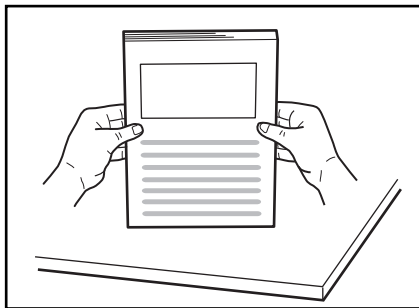
1. Move the feed selection lever on the lower left side of the front of the scanner up (☰).



Note

Lifting up the feed selection lever causes the document stoppers to rise.

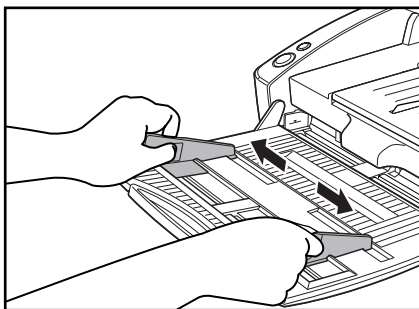
-
2. Straighten the edges of the stack of documents to be scanned.



⚠ CAUTION

- Do not place the documents on top of the scanner to align them. Doing so may cause a malfunction.
- Be careful when placing a document in the scanner. It is possible to cut your hand on the edge of a sheet of paper.

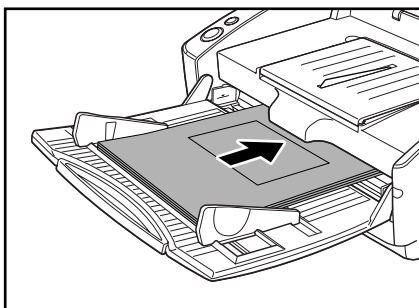
3. Set the document guides so they are wider than the document to be scanned.



👉 IMPORTANT

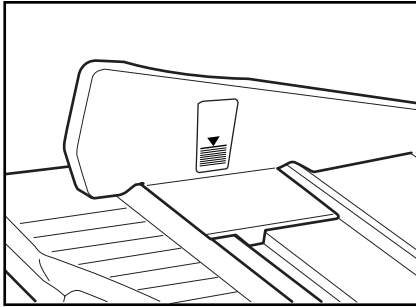
When scanning small or short documents, adjust the document guides 2 to the edges of the documents.

4. Place the documents face up into the feed tray, so that they touch the document stoppers.

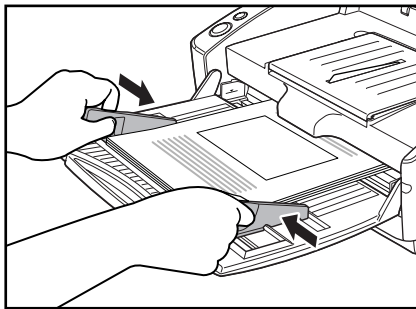


**IMPORTANT**

There is a load limit mark (▼) on the document guides. Do not stack documents higher than this mark (approximately 100 sheets of 20 lb bond (80 g/m²) paper). Doing so may cause a paper jam.



5. Adjust the document guides so they match the width of the document.

**Note**

Before starting a scan, make sure that the document is loaded in the scanner correctly. Scanning a curled document or a creased document can damage the document.

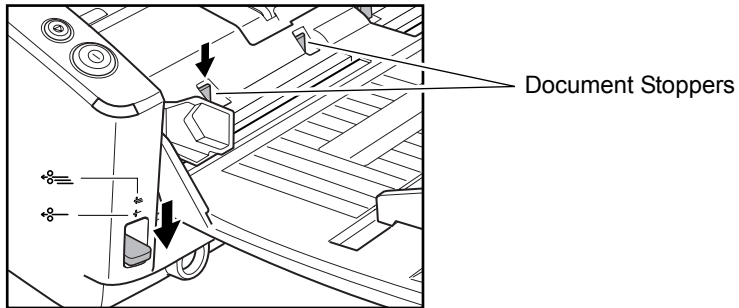
6. Start scanning from the application.

**IMPORTANT**

- If the paper feed operation stops due to a system error or a paper jam while the scanner is scanning, resolve the problem, make sure that the scanned image of the last page that was fed has been stored, and then resume the scanning operation.
- Note that documents that are printed on thin paper may fall out of the document eject tray.
- After you finish scanning, close the document feed tray and the document eject tray extension to prevent damage to the scanner while it is not being used.

How to Feed with the Bypass Mode

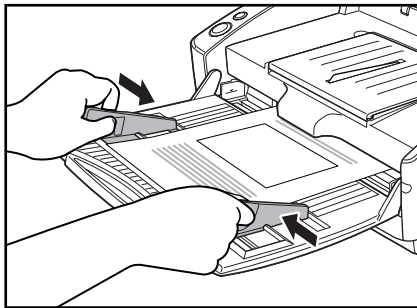
1. Move the feed selection lever on the lower left side of the front of the scanner down (⬇️).



Note

- Lowering the feed selection lever causes the document stoppers to go down.
- The ISIS/TWAIN driver settings change to the manual feed mode automatically when the feed selection lever is lowered. (See “Feeding Option,” on p. 83.)

2. Place the document into the document feed tray one sheet at a time and adjust the position of the document guides.

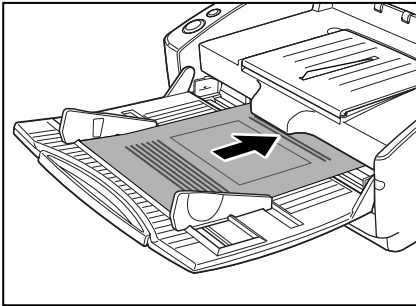


IMPORTANT

When scanning small or short documents, adjust the document guides 2 to the edges of the documents.

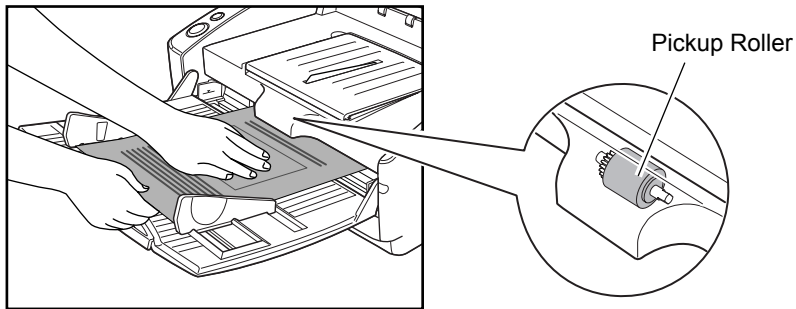
3. Start scanning from the application.

4. One sheet of the document is pushed against the document feed slot. The document is fed.



IMPORTANT

- When scanning documents that are fastened together, such as invoices, set the edge that is fastened together as the leading edge.
- Note that when scanning with nonseparated feed, if you place several documents that are not fastened together on the feed tray at one time, they will be fed together.
- In particular, very thin or curled documents will not be fed very well. In this case, lightly press on the leading edge of the documents as you feed them. When doing this, take care that your fingers do not go under the pickup roller.



- After you finish scanning, close the document feed tray and the document eject tray extension to prevent damage to the scanner while it is not being used.

4. Scanning Documents

When it scans with the DR-6030C, you need to install CapturePerfect 3.0, which is provided with the scanner, or ISIS/TWAIN-compatible application. This section describes the scanning flow of the CapturePerfect 3.0 application. For details on how to install each application and the driver, see the Easy Start Guide.



IMPORTANT

If you scan a document under the condition that heavily consumes the memory of your PC, scanning may not be performed because of insufficient memory. When you are informed of insufficient memory during scanning, please quit the application and change the scanning condition, then try scanning again.


Using CapturePerfect 3.0

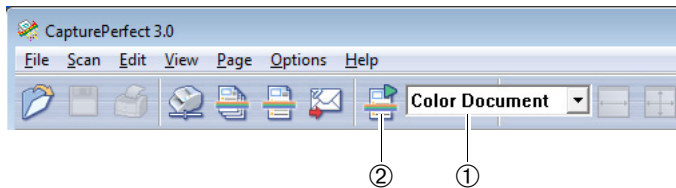
CapturePerfect 3.0 is an ISIS-compatible application developed for Canon document scanners.

CapturePerfect 3.0 includes the following modes. Select the desired scan mode from the scan menu to perform scanning.

- **Scan Batch to File**
Documents are scanned with the preset scanning conditions, and the image file is saved to the specified folder.
- **Scan Batch to Print**
Documents are scanned with the preset scanning conditions, and the scanned image is printed on the specified printer.
- **Scan Batch to Mail**
Documents are scanned with the preset scanning conditions, the e-mail software is started up, and the scanned image is attached to a new e-mail message.
- **Scan 1 Page**
Only one page of the document is scanned.

- **Scan Job**

The scanning conditions and scan mode (Scan Batch to File, Scan Batch to Print, or Scan Batch to Mail) are registered in advance as a job. The scan job can then be performed by selecting the registered job from the drop-down list (①) and pressing  (Scan JOB) on the toolbar (②).



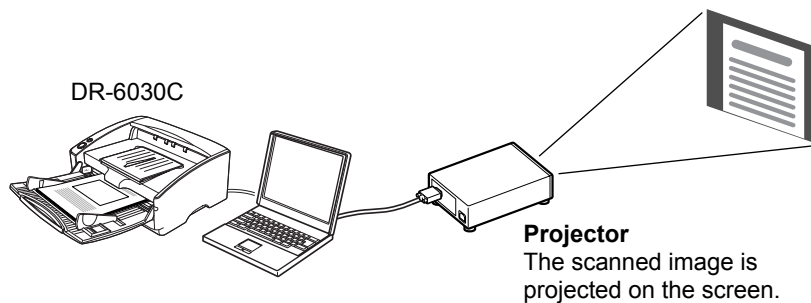
Note

The following two scan jobs are already registered.

- **Color Document**
Scan the document using 24-bit color, simplex, at 300 dpi resolution, and save the file in the folder [Pictures] under the folder [Libraries].
- **Binary Document**
Scan the document in black-and-white, simplex, at 200 dpi resolution, and save the file in the folder [Pictures] under the folder [Libraries].

- **Scan to Presentation Mode**

This mode is handy when the scanner is used in environments, such as conference halls, where it can be connected to large displays or projectors. CapturePerfect 3.0 is switched to full-screen display, the document is scanned, and the scanned image is displayed at full size on the screen.



Note

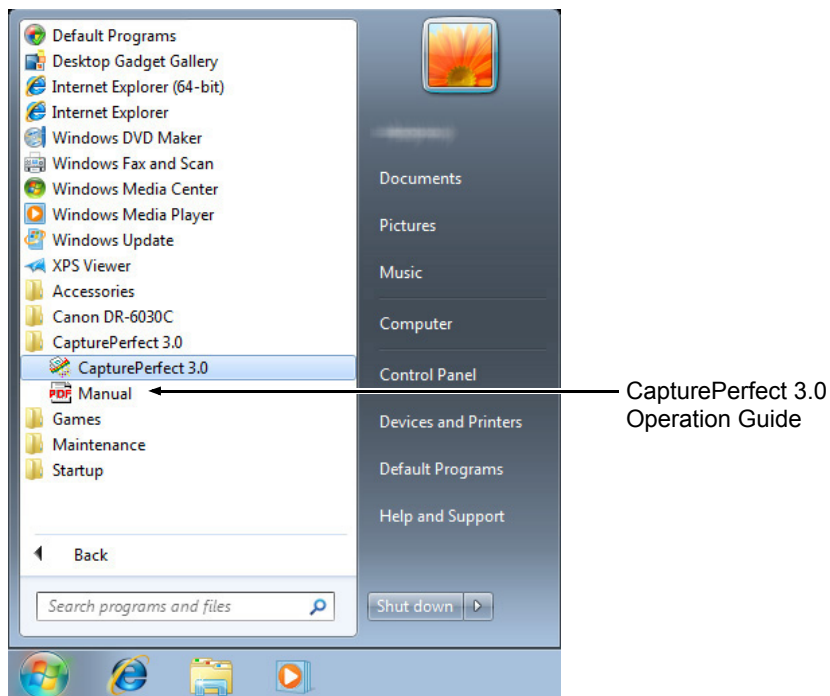
For instructions on how to use CapturePerfect 3.0, see the CapturePerfect 3.0 operation guide and CapturePerfect Help. Be sure to read the CapturePerfect 3.0 operation guide and CapturePerfect Help before you use CapturePerfect 3.0.

CapturePerfect 3.0 Operation Procedure

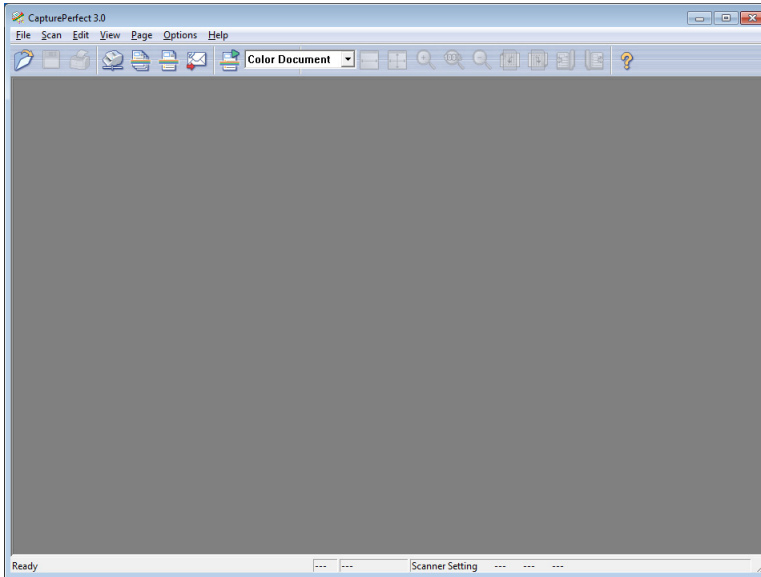
This section describes how to start up CapturePerfect 3.0, select the scanner, and the procedure up to scanning with Scan Batch to File.

For details, see the CapturePerfect 3.0 Operation Guide and CapturePerfect Help.

1. Click the Windows [Start] button, and then click [All Programs] → [CapturePerfect 3.0] → [CapturePerfect 3.0].

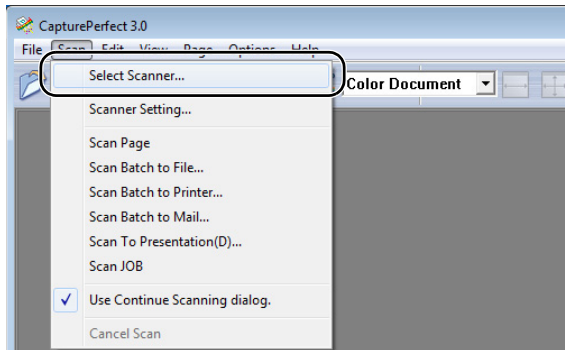


CapturePerfect 3.0 starts up.

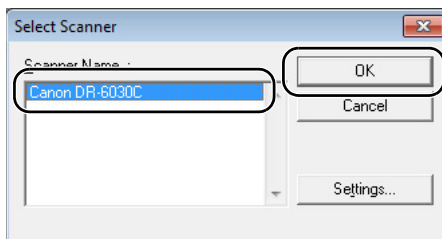


2. Follow the procedure below to select the Canon DR-6030C document scanner as the scanner to be used.

1. On the [Scan] menu, click [Select Scanner].



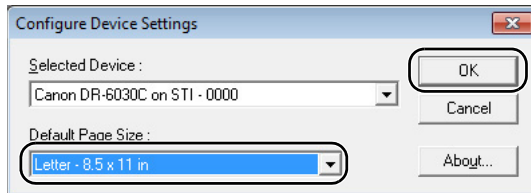
2. Select [CANON DR-6030C] → click the [OK] button.



**Note**

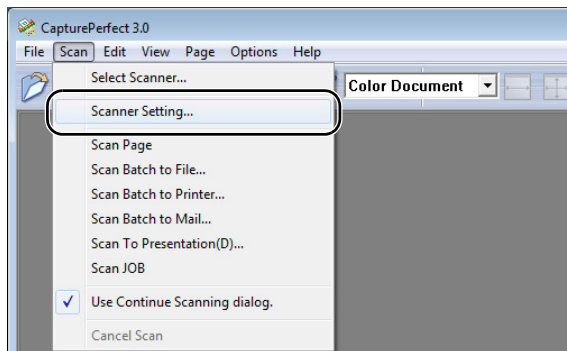
If [CANON DR-6030C] is not displayed in the list of scanners, re-install the ISIS/TWAIN driver. (See “Step 3. Installing the Software” in the Easy Start Guide.)

3. Set the “Default Page Size” and click the [OK] button.

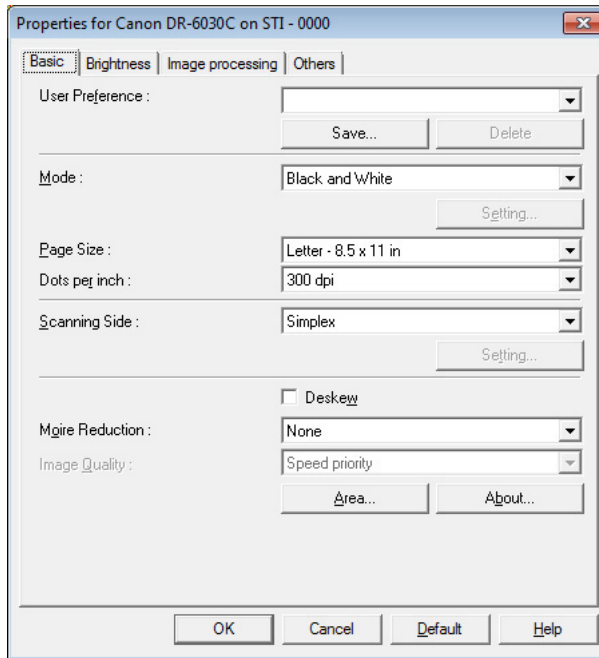
**Note**

This dialog box is displayed only when you select [CANON DR-6030C] for the first time and you click the [OK] button, or when you click [Settings] on the [Select Scanner].

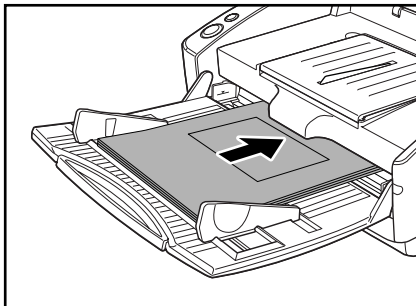
3. On the [Scan] menu, click [Scanner Setting].



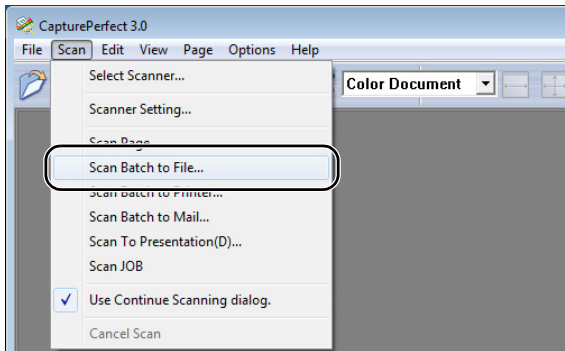
ISIS Driver basic setup dialog box opens.



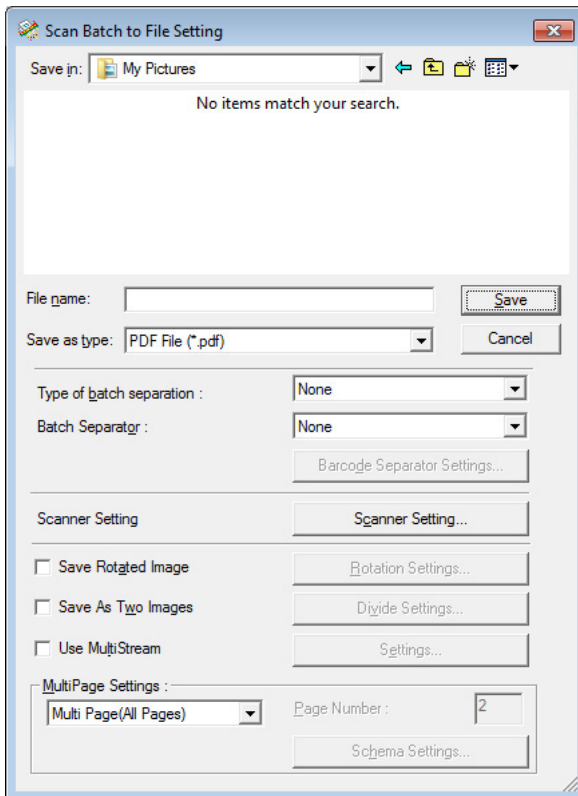
4. Set the scan settings.
For details setting the scanning settings, see “ISIS/TWAIN Driver Properties Dialog Box,” on p. 64, and ISIS/TWAIN Driver Help.
5. Place your document. (See “Placing Documents,” on p. 27.)



6. On the [Scan] menu, select [Scan Batch to File].



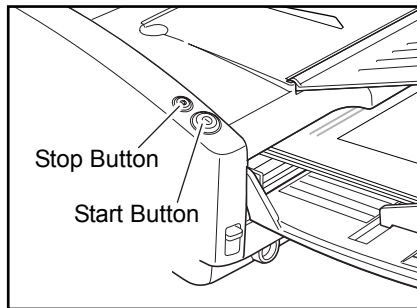
The [Scan Batch to File Setting] dialog box opens.



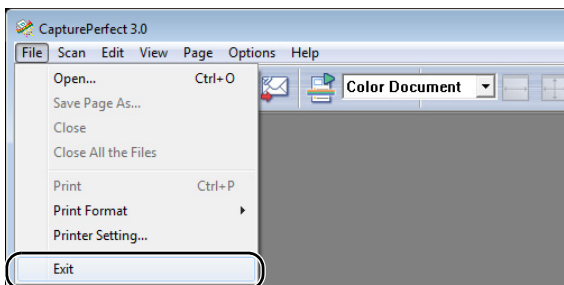
For more details on how to scan documents, see the CapturePerfect 3.0 operation guide and CapturePerfect Help.

7. Specify the file name and the file type for saving the image data, and click [Save] to start scanning.
For details on the available settings in the [Scan Batch to File Setting] dialog box, see the CapturePerfect 3.0 operation guide and CapturePerfect Help.

- 8.** When there are no more pages of the document to scan, scanning stops. Scanning resumes or ends according to the “Feeding Option” setting in the scanner setup.
- When “Feeding Option” is set to [Standard Feeding]
The continue dialog box is displayed. Place the next document, and click [Continue scanning] to resume scanning. Or, click [Stop Scanning] to end scanning.
 - When “Feeding Option” is set to [Automatic Feeding]
Place the next document. Scanning resumes when the scanner detects the document. Or, press the stop button to end scanning.
 - When “Feeding Option” is set to [Panel-Feeding]
Place the next document and press the start button to resume scanning. Or, press the stop button to end scanning.



- 9.** After scanning is complete, select [Exit] on the [File] menu to quit CapturePerfect 3.0.



Starting CapturePerfect 3.0 with the Start Button

DR-6030C and Captureperfect 3.0 support Windows' event functions. After installing the ISIS/TWAIN driver and CapturePerfect 3.0, you can have CapturePerfect 3.0 start automatically when you push the scanner start button by setting the Windows event function.



Note

All the applications that support event functions are enabled in the initial status immediately after setting up the DR-6030C. Because of this, the following dialog box appears if the event settings are not changed and the start button is pressed.

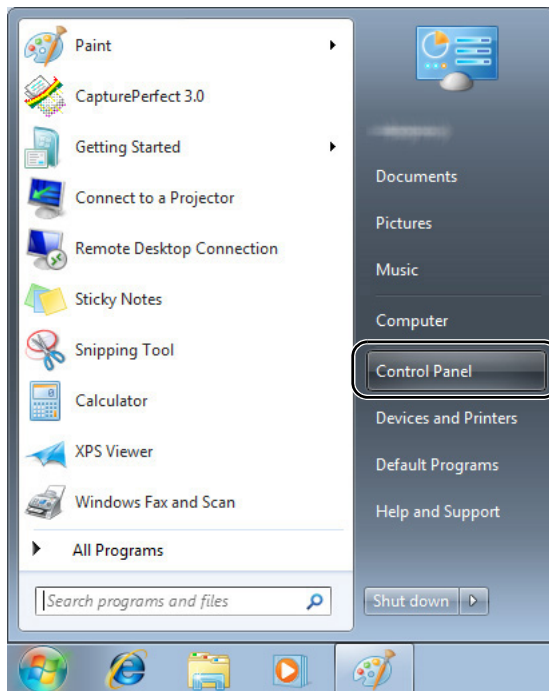
When this dialog box appears, either select an application and start it or click the [Cancel] button and change the event settings.

Setting the Event Function

Follow the procedure below to set an event.

1. Use the following procedure to open the [Event settings] dialog box.

1. Click the [Start] button, and then click [Control Panel].

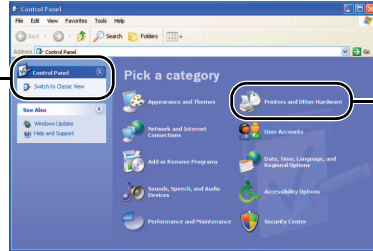


2. This operation depends on your operating system.

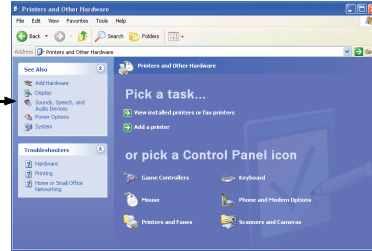
■ **Windows XP**

Switch the Control Panel to Classic View, or select [Printers and Other Hardware] in the working field.

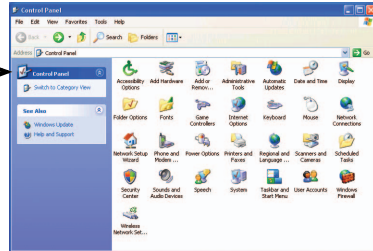
Control Panel (category view)



Printers and Other Hardware



Control Panel (classic view)



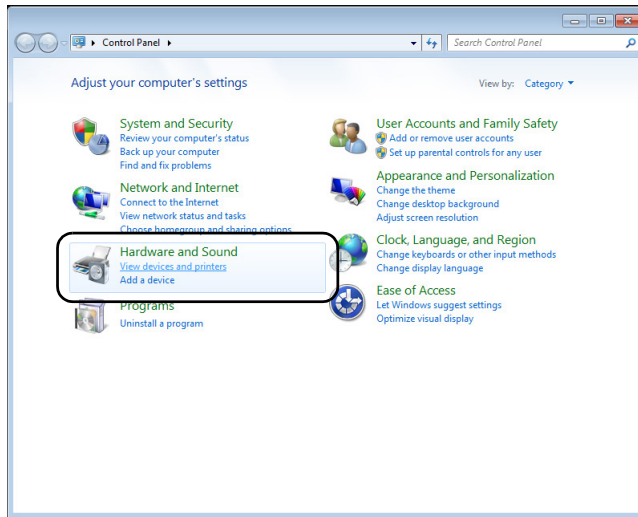
■ **Windows Vista**

Switch the Control Panel to Classic View, or select [Hardware and sound] in the working field.

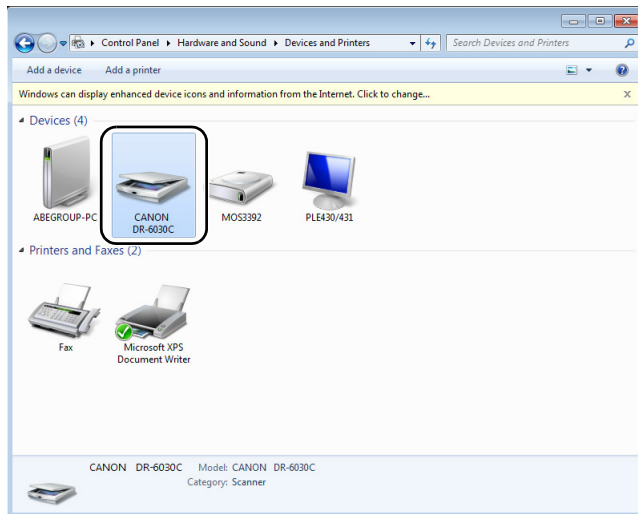
■ **Windows 7**

Click [View by] at the upper-right of the Control Panel, and then select [Large icons] or [Small icons] from the list, or select [Hardware and Sound] in the category view.

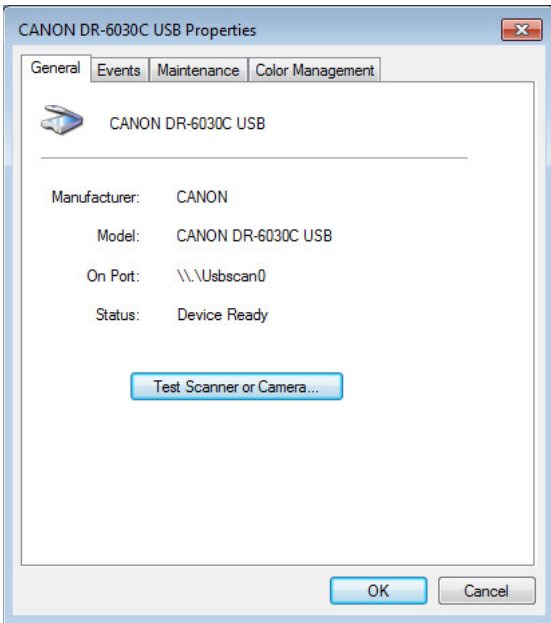
3. Click [View devices and printers]. (For Windows XP and Windows Vista, click [Scanners and Cameras].)



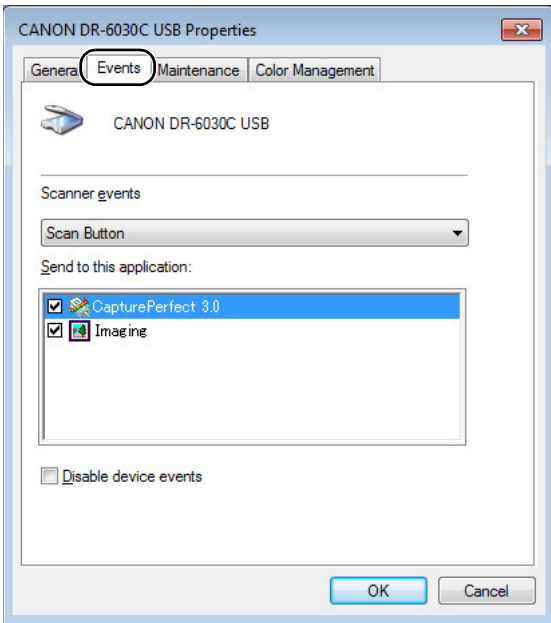
4. Select [CANON DR-6030C] (or [CANON DR-6030C SCSI]), and then click the right mouse button and select [Properties]. (For Windows XP and Windows Vista, select [CANON DR-6030C USB] (or [CANON DR-6030C SCSI]), and then click [Properties].)



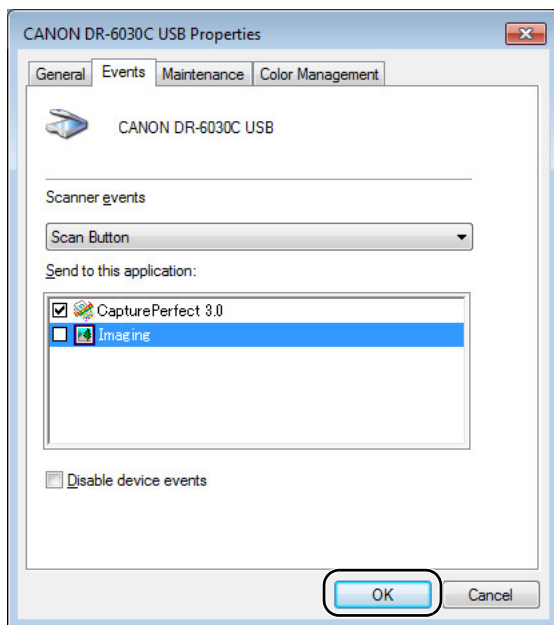
[CANON DR-6030C USB Properties] (or [CANON DR-6030C SCSI Properties]) is displayed.



5. Click the [Events] tab.



2. In the initial status, all the applications displaying [Send to this application] are checked. Select one application to be started with the start button and uncheck the checkboxes for the other applications and then click [OK] (For Windows XP, [Apply]).



IMPORTANT

Check [Disable device events] to not start applications from the start button.

3. Click [OK] to close [CANON DR-6030C USB Properties].
4. Restart Windows to enable the new settings for the event function.

Before using Adobe Acrobat 9.0

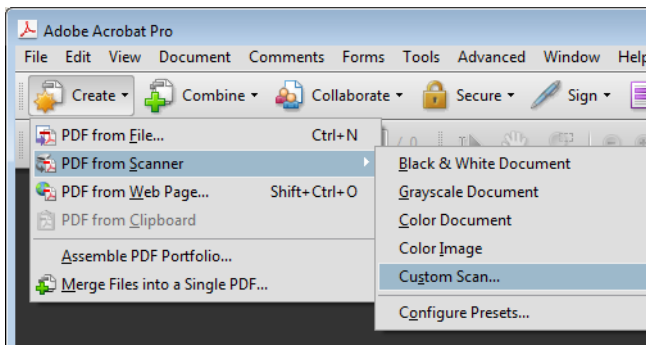
There are two methods for scanning a document from the scanner using the bundled Adobe Acrobat 9.0 software. One method is Presets (Black & White Document, Grayscale Document, Color Document or Color Image), in which the scanning parameters are set beforehand, and the other method is Custom Scan, which allows you to select the parameters used for scanning. The Custom Scan method also provides the option of either showing or hiding the scanner's Native Interface (the machine's own scanner settings screen) while scanning.

If you use Adobe Acrobat 9.0 with this machine and scan using the Custom Scan method, you should display the scanner's Native Interface for the following reasons.

- **If you make scans without showing the Native Interface, it may not be possible to scan correctly at the specified Paper Size.**
- **If you use Presets to scan without showing the Native Interface, it may not be possible to scan correctly at the specified Paper Size.**

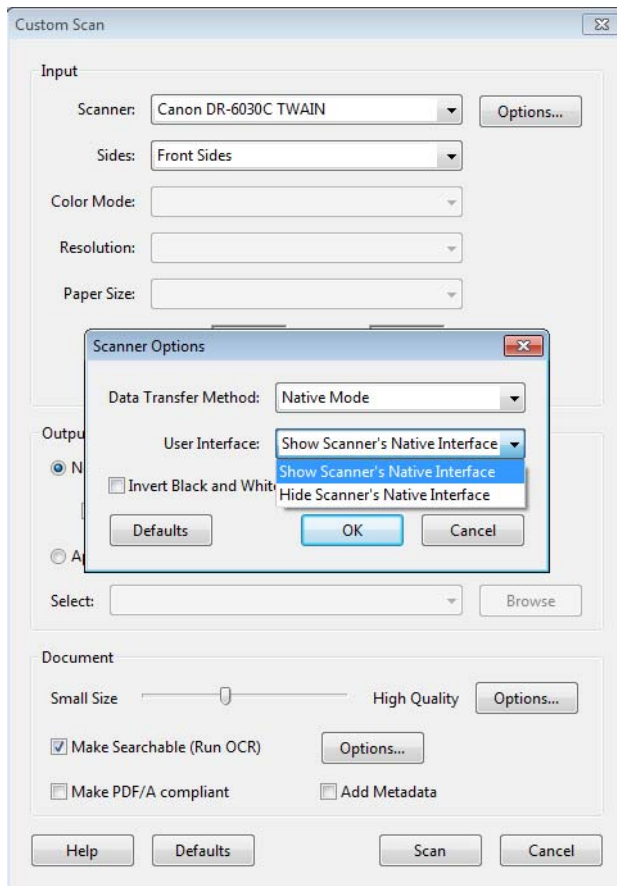
Procedure for Showing the Native Interface in Custom Scan

1. On the [Create] menu, select [PDF from Scanner] → [Custom Scan].



2. Click [Options] in the Custom Scan dialog box to open the [Scanner Options] dialog box.

3. In the [User Interface], select [Show Scanner's Native Interface] and then click [OK] to close the dialog box.



4. When you click [OK] (in the Custom Scan dialog box), the scanner runs the Custom Scan and the Native Interface (the machine's own scanner settings screen) is displayed.



Note

In the installer screen, “Portuguese (Brasil)” and “Portuguese” are offered as options for Portuguese, but only “Portuguese (Brasil)” can actually be used.

5. Using Patchcode Sheets

The DR-6030C ISIS driver and CapturePerfect 3.0 both support the automatic file separation function with patchcode sheets.

Patchcode patterns are printed on patchcode sheets which are used to automatically separate files. When the scanner recognizes a patchcode sheet during scanning, the files are automatically separated at the patchcode sheet or at the image of the next document.



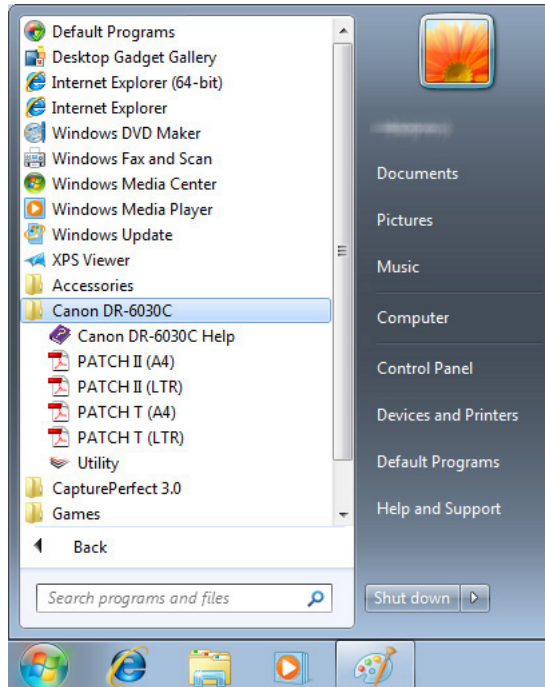
Note

- Access “ISIS/TWAIN Driver Help” for information about using patchcode sheets.
- The TWAIN driver does not support patchcode sheets.
- Patchcode sheets can be used only when the ISIS compatible application supports separating files by patchcode patterns.
- Patchcode sheets cannot be used when the MultiStream function (See p. 62.) is being used.

About Patchcode Sheets

Patchcode sheets are data in a portable document format (PDF). There are four types: [PATCH II (A4)], [PATCH II (LTR)], [PATCH T (A4)], [PATCH T (LTR)] according to the paper size and pattern.

Click on the Windows start button, open [All Programs] - [Canon DR-6030C] - [PATCH X (XX)]. Print the patchcode sheet to use it.



Note

- To open patchcode sheets you need CapturePerfect 3.0, which is provided with the scanner, or an application associated with PDF format files.
- Patchcode sheets must be printed in their original size. The scanner may not recognize them as patchcode sheets if they are enlarged or reduced.

Patchcode Pattern Function

There are two types of patchcodes and their function changes according to their pattern.

■ PATCH T (FILE A)



When the scanner recognizes this patchcode printed on a patchcode sheet it creates a separate file for the document that comes after the patchcode sheet. The image of this sheet can be saved or not depending on the application's settings.

■ PATCH II (FILE B)



When the scanner recognizes this patchcode printed on a patchcode sheet it creates a separate file starting from the patchcode sheet. The image of this sheet is saved regardless of the application's settings.

How to Use Patchcode Sheets

1. Print patchcode sheets on a printer. Print the patchcode sheets at their original size on paper that is the same size as the data.



Note

- Print [PATCH II (A4)] and [PATCH T (A4)] on A4 size paper.
- Print [PATCH II (LTR)] and [PATCH T (LTR)] on letter size paper.

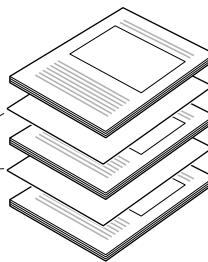


IMPORTANT

Be careful to keep the patchcode sheets clean. In particular, the effective area for detecting patterns should be kept clean. Also, do not fold them or allow them to become wrinkled. If this happens, the scanner will not be able to read them.

2. Insert the patchcode sheet so it is in front of the document that is to be saved to a separate file before loading the documents on the scanner.

Insert patchcode sheets in front of the documents you want to save to separate files.



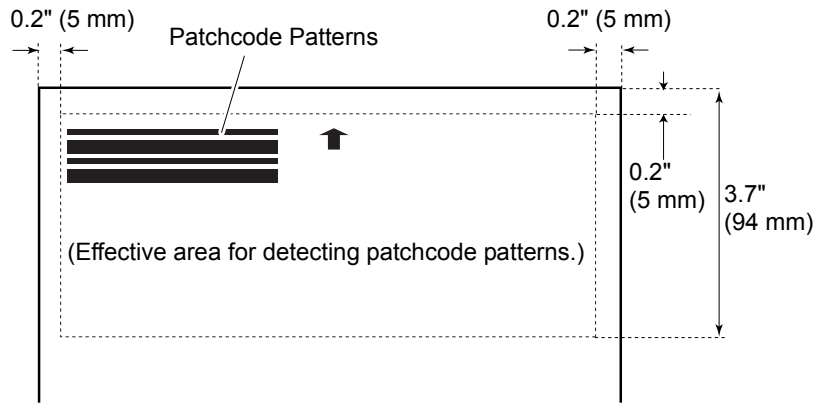
3. In the ISIS driver, set the batch separation setting to [Patchcode] and then scan the documents.



IMPORTANT

Note the following points when copying a patchcode pattern to create a different size patchcode sheet.

- When copying a patchcode pattern, the copy should be the same size and density as the pattern on the original. Extremely dark or light copies may not be scanned correctly.
- Adjust the patchcode so that it fits into the effective area for detecting patchcode patterns.



6. Clearing a Paper Jam

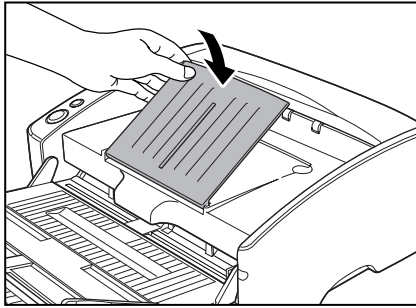
When paper jams occur during scanning, use the following procedure to clear them.



CAUTION

Be careful when removing jammed paper. It is possible to cut your hand on the edge of a sheet of paper.

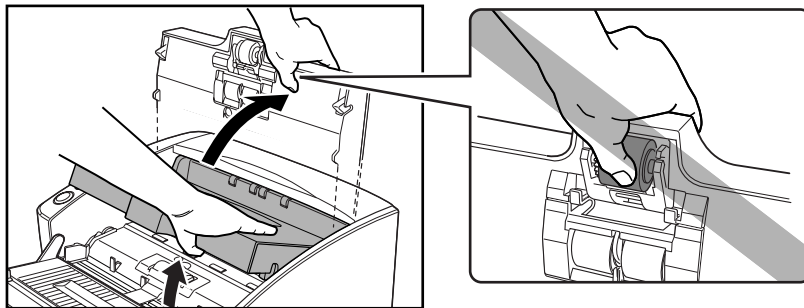
1. Remove any documents that have been left in the eject tray.
2. Close the document eject tray.



IMPORTANT

If document ejection is stopped part way, perform this operation with the document eject tray extension open. Attempting to force the document eject tray extension closed can crease the document.

3. Hold the Upper unit as shown in the diagram, and open it to the point where you can remove the jammed document.

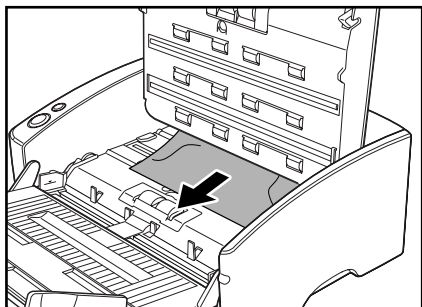


CAUTION

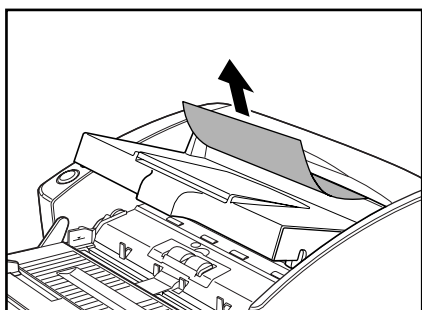
The pickup roller is located in the middle of the upper unit. Do not hold the protrusion on the upper unit when you open it. Doing so may deform the pickup roller or cause a feeding error.

4. Remove the jammed document.

- When the jam occurred in the feed section



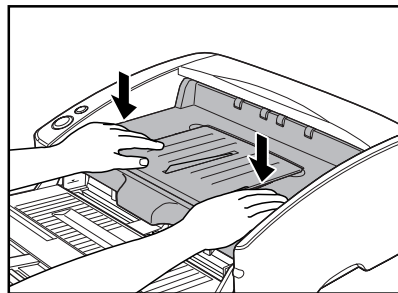
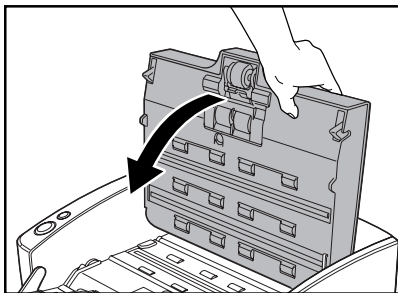
- When the jam occurred in the eject section



IMPORTANT

Be sure to pull the document out carefully, without applying too much force. Should the document tear, be sure to remove any part remaining in the scanner.

5. Close the upper unit slowly. Be sure that the upper unit is completely closed by pushing on both edges with both hands until you hear a click.



IMPORTANT

Do not force the upper unit to close. Doing so may damage the scanner.

**Note**

- After removing the jammed paper, check to see if the last page was scanned, and then continue scanning.
- If a paper jam happens when “Rapid recover system” is enabled in the ISIS/TWAIN driver settings, the image of the document is not saved and scanning stops. This allows you to continue scanning from the document that caused the paper jam after the paper jam is fixed. (See “[Rapid Recovery System] Check Box,” on p. 81.)

7. Other Functions

This scanner also supports the scanning functions described below.

Double Feed Detection Function	P. 54
Skew Detection Function	P. 55
Long Document Mode	P. 55
Standby Mode Settings	P. 61
MultiStream Function	P. 62

Double Feed Detection Function

The scanner is equipped with a [Double Feed Detection] function that automatically detects when two or more documents are fed at the same time (double feed) while doing continuous scanning.

There are two methods for multiple feed detection as shown below, the detection method is selected by the “ISIS/TWAIN driver”.

Detecting Double Feed by Document Length

This detection method is effective when scanning a document on pages that are all the same size. The length of the first page scanned is used as a standard against which the rest of the pages are compared. If any page is 1.96" (50 mm) longer or shorter than the first page it is considered a double feed and scanning stops.

Detecting Double Feed with Ultrasonic Waves

This detection method is effective when scanning a document on pages that are different sizes. Ultrasonic waves are used to detect pages that are fed at the same time as well as the space between pages. Scanning stops if they are detected.



Note

- Ultrasonic double feed detection works when the documents overlap by 1.96" (50 mm) or more.
- If the documents are stuck together with static electricity, the ultrasonic double feed detection will not correctly detect them as a double feed.

Skew Detection Function

If long documents are skewed, then they may rub against the feed slot or the edges of the feed path and be damaged. The scanner is equipped with a skew detector function that detects when a skewed document hits the edge of the feed slot. When a skewed document is detected, an error message is displayed and scanning stops.



Note

Small documents are not detected by the sensor even if they are skewed.

Long Document Mode

Normally the scanner can scan documents up to 17.01" (432 mm) in length, however if you change the settings to the Long Document mode it is possible to scan documents up to a maximum of 118.1" (3,000 mm) in length. To use the Long Document mode, change the scanner's settings to the Long Document mode in scanner properties. Set the paper size in the "ISIS/TWAIN driver" to [Automatic Detection] to allow the scanner to detect documents up to 118.1" (3,000 mm) long and to scan them. (See "Page Size," on p. 68.)



IMPORTANT

Note the following points when using the Long Document mode.

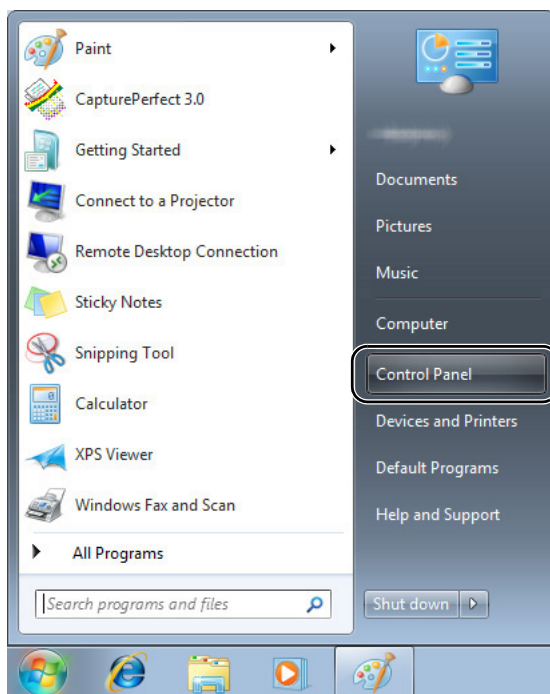
- Documents may be scanned more slowly when the scanner is scanning with automatic size detection in Long Document mode.
- When scanning in the Long Document mode, if the document is placed on the scanner in a skewed position, it may rub against both sides of the feed path and be damaged. Be careful to place the document so it is not skewed.
- When using the Long Document mode, the paper jam detection may react slowly resulting in damage to the document. Be careful to avoid paper jams.
- Be sure to feed paper with the bypass mode when scanning in the Long Document mode.

Long Document Mode Settings

Follow the procedure below to set the long document mode.

1. Use the following procedure to open the [CANON DR-6030C USB Properties] (or [CANON DR-6030C SCSI Properties]).

1. Click the [Start] button, and then click [Control Panel].

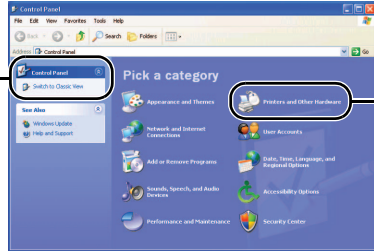


2. This operation depends on your operating system.

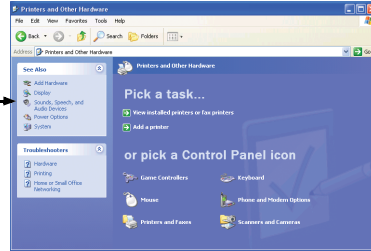
■ **Windows XP**

Switch the Control Panel to Classic View, or select [Printers and Other Hardware] in the working field.

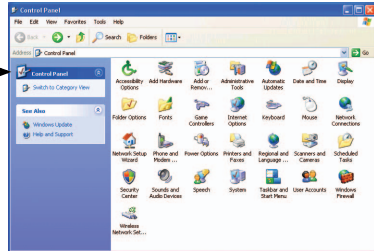
Control Panel (category view)



Printers and Other Hardware



Control Panel (classic view)



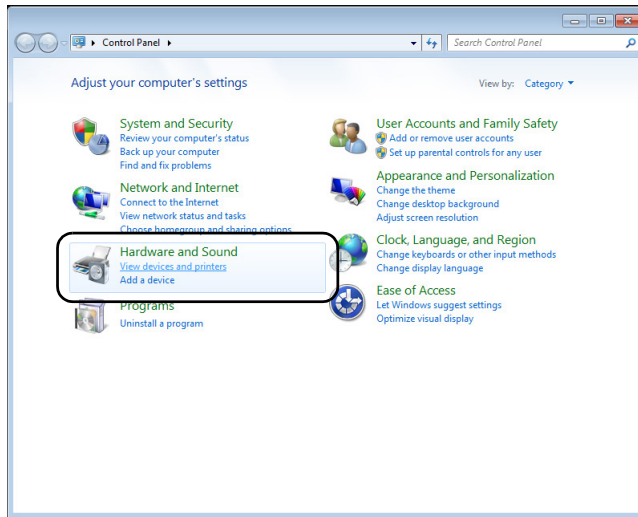
■ **Windows Vista**

Switch the Control Panel to Classic View, or select [Hardware and sound] in the working field.

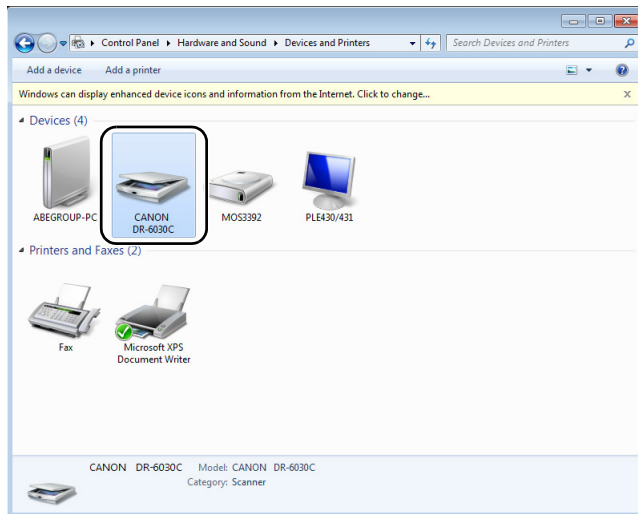
■ **Windows 7**

Click [View by] at the upper-right of the Control Panel, and then select [Large icons] or [Small icons] from the list, or select [Hardware and Sound] in the category view.

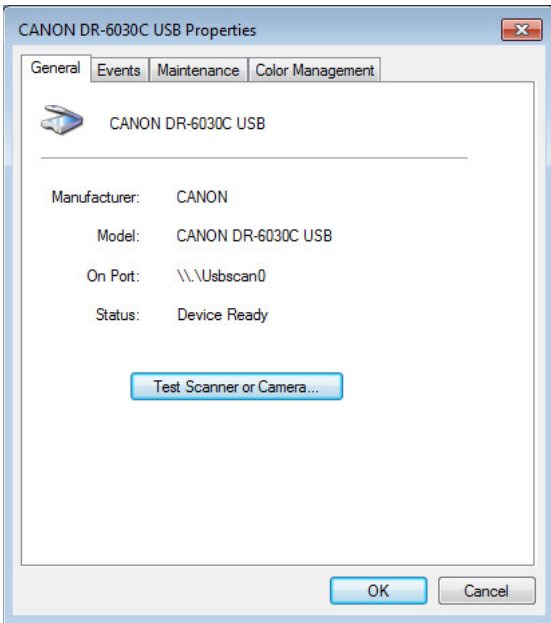
3. Click [View devices and printers]. (For Windows XP and Windows Vista, click [Scanners and Cameras].)



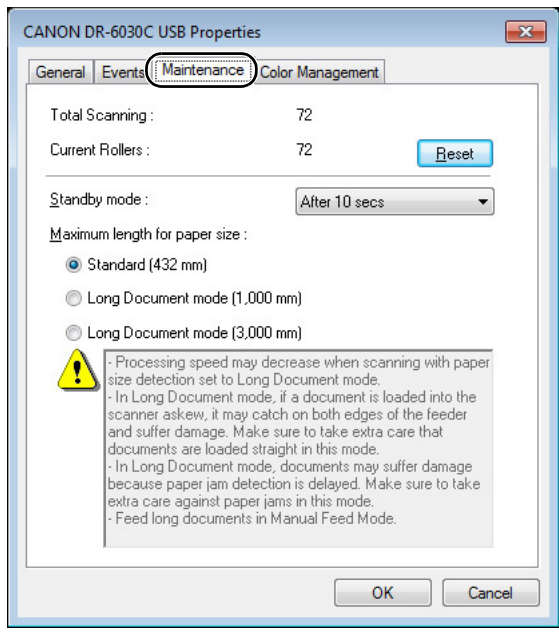
4. Select [CANON DR-6030C] (or [CANON DR-6030C SCSI]), and then click the right mouse button and select [Properties]. (For Windows XP and Windows Vista, select [CANON DR-6030C USB] (or [CANON DR-6030C SCSI]), and then click [Properties].)



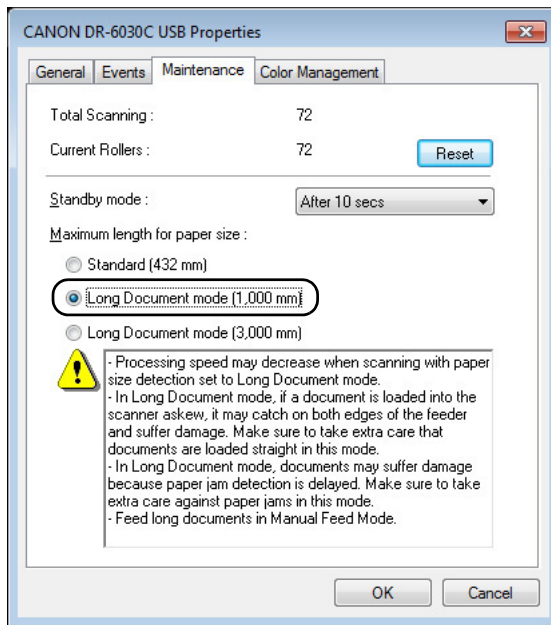
[CANON DR-6030C USB Properties] (or [CANON DR-6030C SCSI Properties]) is displayed.



2. Click the [Maintenance] tab.



3. Click the [Long Document mode (1,000 mm)] or [Long Document mode (3,000 mm)].



4. Click [OK] to change the scanner's settings and close [Scanners and Cameras Properties].
5. Turn the scanner OFF and then ON again.

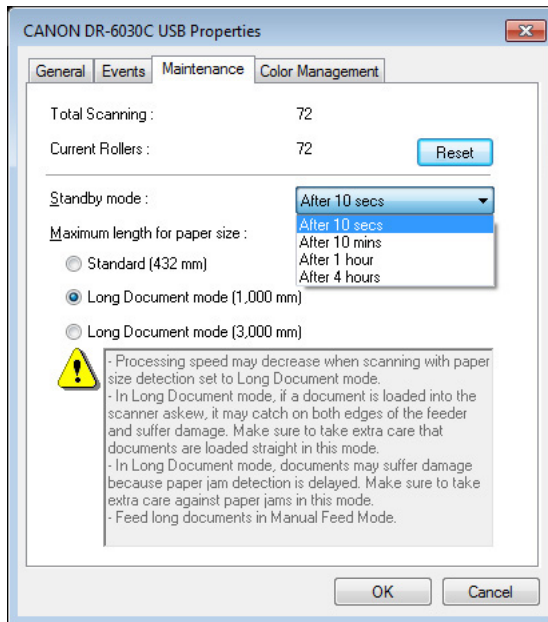


IMPORTANT

- If you are using a SCSI connection, turn off the computer and then turn the scanner off and then on again.
- Wait at least 10 seconds before turning the scanner ON after it has been turned OFF.

Standby Mode Settings

The scanner is designed to save energy by going into Standby mode if it is not used for a certain period of time. This time period can be set to [After 10 secs] (factory set default), [After 10 mins], [After 1 hour] or [After 4 hours]. You can change the Standby mode settings on the maintenance screen of CANON DR-6030C USB properties, in the same way as the long document mode described previously.

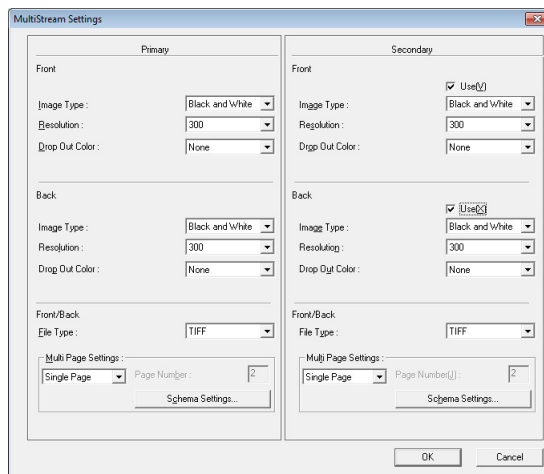


MultiStream Function

If the application that you are using supports the MultiStream function, then it is possible to scan a document one time and simultaneously output two types of images (Primary image and Secondary image).

CapturePerfect 3.0, provided with the scanner, supports the MultiStream function so the following settings are possible.

- You can set the Primary or Secondary image and Front or Back for the Image Type (mode), Resolution or Drop Out Color.
- You can change the File Type for the Primary image and the Secondary image. However, you cannot change Front or Back with File Type.



Note

When using the MultiStream function with CapturePerfect 3.0, “Skip blank page”, “Prescan”, “Text Orientation Recognition” and “Batch Separation” functions are disabled.

Chapter 3

Software Setup

This chapter explains the elements of the ISIS/TWAIN driver setup dialog boxes and describes how to make settings, using various setting examples.

For details on settings, refer to the online help.

1. ISIS/TWAIN Driver Properties Dialog

Box	64
[Basic] Tab Sheet	65
[Brightness] Tab Sheet	74
[Image processing] Tab Sheet	78
[Others] Tab Sheet	81
[Addon] Dialog Box	85

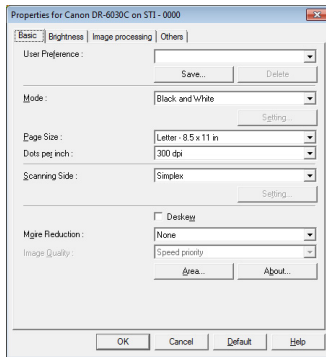
2. Practical Examples

92	
Scanning Both Sides of Pages	92
Scanning Non-Standard-Size Documents .	93
Adjusting the Scan Area	93
Scanning Multiple Documents	94
Image Adjustments for Scanning	96
Prescan	99
Preserving Your Settings	99

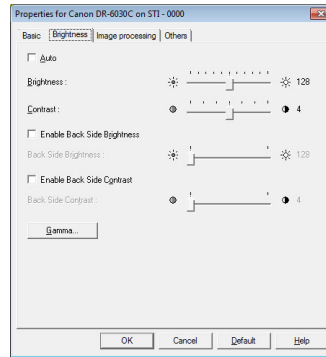
1. ISIS/TWAIN Driver Properties Dialog Box

The ISIS/TWAIN driver properties dialog box consists of four tabs: Basic, Brightness, Image processing and Others. See the description of each tab sheet for details.

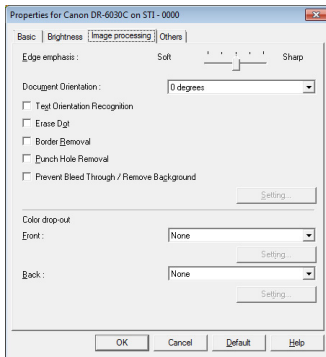
[Basic] tab sheet (See p. 65.)



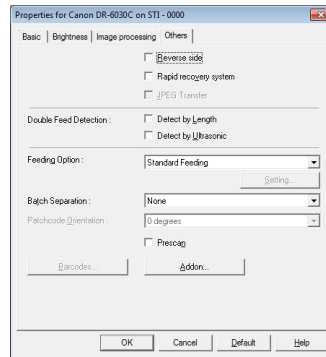
[Brightness] tab sheet (See p. 74.)



[Image processing] tab sheet (See p. 78.)



[Others] tab sheet (See p. 81.)



[OK] Button (ISIS driver)

Applies settings and closes the dialog box.

[Scan] Button (TWAIN driver)

To control scanning from the properties dialog box when using a TWAIN-compatible application program, the [Scan] button is displayed instead of the [OK] button to scan with the current settings.

[Cancel] Button

Rejects changes to settings and closes the dialog box.

[Default] Button

Returns the settings to their default state.

[Help] Button

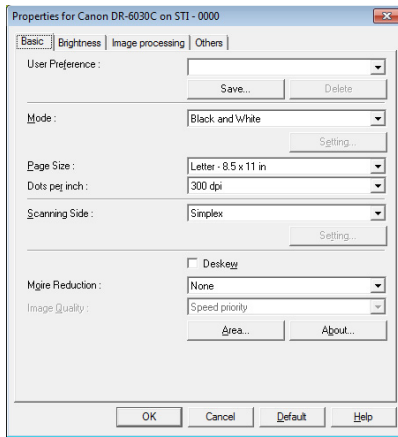
Displays help for the open tab sheet and dialog box.

[Basic] Tab Sheet

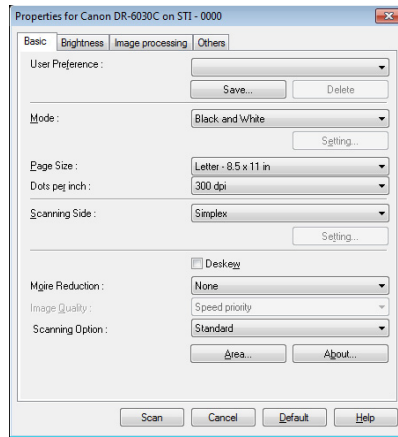
This [Basic] tab sheet is displayed when the driver is called directly and not from another settings dialog box. The driver is called directly when using applications that do not have their own scanner setting or scanning dialog boxes, such as CapturePerfect and Job Registration Tool.

Basic Tab Sheet (ISIS/TWAIN driver)

This [Basic] tab sheet is displayed when the driver is called directly and not from another settings dialog box. The driver is called directly when using applications that do not have their own scanner setting or scanning dialog boxes, such as CapturePerfect and Job Registration Tool.



ISIS driver

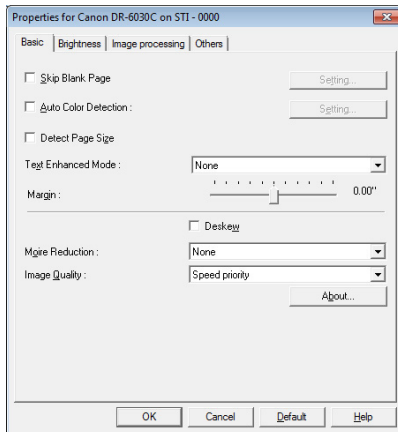


TWAIN driver

[Basic] Tab Sheet Extended Version (ISIS driver only)

This [Basic] tab sheet is displayed when the DR-6030C ISIS Driver is called from a scanner setting or scanning dialog box belonging to an ISIS-compatible application program.

This [Basic] tab sheet provides settings for DR-6030C functions that are not supported in the dialog box belonging to the application program.

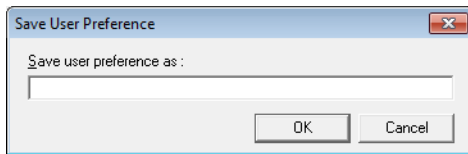


- ☞ Refer to the descriptions of the following function for details about “Skip Blank Page,” “Auto Color Detection,” “Detect Page Size,” “Text Enhanced Enhancement Mode” and “Margin.”

- Skip Blank Page → [Scanning Side]
- Auto Color Detection → [Mode]
- [Detect Page Size] → [Page Size]
- [Text Enhanced Mode] → [Mode]
- Margin → Scan Area Dialog Box

User Preferences

Click [Save] to open the [Save User Preference] dialog box.



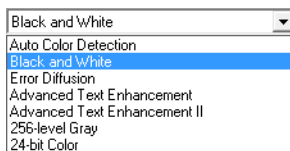
The [Save User Preference] dialog box saves the current settings under an assigned name.

You can select the name of a saved set of user preferences in the list box to load those settings into each tab sheet.

- ☞ Assigned names can consist of up to 32 characters (or 16 double-byte characters). For Windows 7, you can enter 32 characters with double-byte characters.

Mode

Select the mode for scanned images.



- ☞ Some functionality is limited depending on the mode setting. (See “Mode-Dependent Function Limitations,” on p. 68.)
- ☞ The Text Enhancement modes are good for scanning documents with a background color or design behind text, by removing or processing the surrounding background to enhance the text for easy reading.
- ☞ Three text enhancement modes are provided to suit different background types. Select the mode that seems to best suit your document. We recommend confirming an image by prescanning the first page.

[Auto Color Detection]

Whether a document is black and white or color is detected before the scanned image is saved.

- ☞ When [Auto Color Detection] is enabled, the [Setting] button is enabled for opening the [Auto Color Detection] dialog box, where you can make settings affecting how color documents are judged, and select which scanning mode to use for black and white.

-
- ☞ Depending on the application program, operation may become unstable when [Auto Color Detection] is enabled. In that case, [Auto Color Detection] should be disabled.
 - ☞ When using an application that supports the MultiStream function (such as CapturePerfect), if [Auto Color Detection] is selected, the MultiStream function is disabled.

[Black and White]

Use this mode to scan text and line drawing documents as black and white (binary) images.

[Error Diffusion]

Use this mode to scan documents containing photos as black and white (binary) images.

[Advanced Text Enhancement]

Use this mode to scan documents with a dark or non-uniform (pattern) background.

- ☞ If the background is uniform it is removed where it surrounds the text.
- ☞ If the background is non-uniform, such a pattern, it is processed to enhance text readability.

[Advanced Text Enhancement II]

Use this mode to scan documents with a light uniform background and low-contrast text.

- ☞ The background in tight spaces around text may not be removed.
- ☞ Documents with low-contrast text can be made more readable by adjusting Contrast on the [Brightness] tab sheet.
- ☞ If the background is non-uniform, such a pattern, the background remains visible in the image, and text may be hard to read.

[High-Speed Text Enhancement]

This mode optimizes processing speed by performing background processing within the scanner, and is good for scanning documents with light background and dark text.

- ☞ If the text and background in a document have nearly the same density, the text may be hard to read.
- ☞ Areas with uniform background may appear as non-uniform white in the image.
- ☞ Because background processing is performed within the scanner, scanned images are more susceptible to lines appearing due to dirt on the scanning table glass. In cases where this may be a problem, try scanning again after cleaning the scanner glass, or select one of the [Advanced Text Enhancement] or [Advanced Text Enhancement II] modes instead.

[256-level Gray]

Scans documents such as photos as 256-level grayscale images.

[24-bit Color]

Scans documents such as color photos as full-color images.

Mode-Dependent Function Limitations

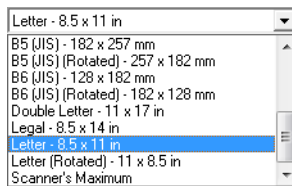
The following tab sheet functions are partially disabled according to the selected mode. Refer to “Brightness Tab Sheet” on page 74 for the [Brightness] tab sheet settings.

Tab sheet	Basic		Image processing					Others			
	Deskew	Moire Reduction	Edge emphasis	Erase Dot	Border Removal	Prevent Bleed Through / Remove Background Setting	Reverse Image (T/M/AIN driver)	Color drop-out	JPEG Transfer	Batch Separation	Prescan
Scanning mode											
Auto Color Detection	✓	✓	✓	✓	✓	—	—	—	✓	—	—
Black and White	✓	✓	✓	✓	✓	✓	✓	✓	—	✓	✓
Error Diffusion	✓	✓	✓	—	✓	✓	✓	✓	—	✓	✓
Advanced Text Enhancement	✓	✓	✓	✓	✓	—	✓	✓	—	✓	✓
Advanced Text Enhancement II	✓	✓	—	✓	✓	—	✓	✓	—	✓	✓
High-Speed Text Enhancement	—	—	—	✓	—	—	✓	✓	—	✓	✓
256-level Gray	✓	✓	✓	—	✓	✓	—	✓	✓	✓	✓
24-bit Color	✓	✓	✓	—	✓	✓	—	—	✓	✓	✓

✓ : Available for setting
 — : Not available for setting

Page Size

Select the page size of the document to be scanned.

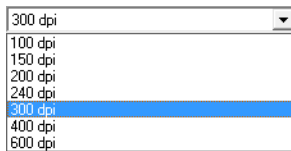


- ☞ Select [Auto-detection] to scan the following kinds of documents.
 - Documents of undetermined size
 - Documents including mixed page sizes
 - When using the Long document mode (See “Long Document Mode,” on p. 55.)
- ☞ When [Auto-detection] is selected, area settings in the Scan Area dialog box are disabled.
- ☞ The [Auto-detection] process may malfunction in the following situations. If this occurs, select a standard size such as [A4] or [Letter], or click the [Area] button to create a custom page size. (See “[Scan Area] Dialog Box,” on p. 73.)

- When scanning a page with a dark area at the left or right edge
 - When scanning a glossy or reflective document
 - When the brightness setting is incorrect
 - When Custom setting is selected in the Gamma Settings dialog box
- ☞ Depending on the application program, operation may become unstable when [Auto-detection] is enabled. In that case, [Auto-detection] should be disabled.

Dots per inch

Select the scanning resolution.



- ☞ Higher resolutions provide clearer images, but produce larger files.
- ☞ When the selected resolution is 300 dpi or less, the [Moire Reduction] setting is enabled to allow reduction of Moire patterns in scanned images.
- ☞ When the selected resolution is 400 or 600 dpi, the [Image Quality] setting is enabled.

Scanning Side

Select which page side(s) to scan.



[Simplex]

Scan only the front (top) side of documents loaded at the feeder inlet.

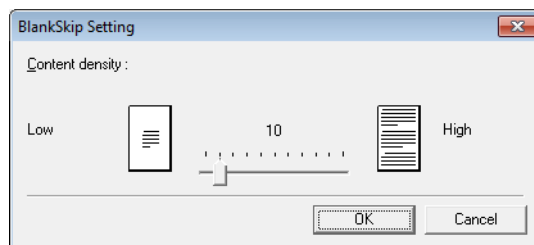
[Duplex]

Scan both sides of documents.

[Skip Blank Page]

As each document page is scanned, its scanned image is judged as to whether it is blank, and if so, the image is not saved.

- ☞ Selecting [Skip Blank Page] enables the [Setting] button, which opens the [Blank Skip Setting] dialog box.
- ☞ Adjust the [Content density] setting in the [Blank Skip Setting] dialog box if blank pages are not skipped, or if non-blank pages are skipped.



The Content density should be adjusted according to document content, so that only blank pages are skipped: increase the setting if they are not skipped, and decrease the setting if non-blank pages are skipped.

- ☞ The Skip Blank Pages function may not work properly if the [Custom] setting is enabled in the Gamma Settings dialog box.
- ☞ When the [Scan Single Page] scanning option is selected in the [Basic] tab sheet of the TWAIN driver, the [Simplex] scanning side setting is selected automatically.
- ☞ If the application program provides its own simplex/duplex scanning side setting, select Simplex in this dialog box.

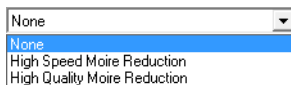
[Deskew] Check Box

The Deskew function detects slanted document pages and straightens the scanned images.

- ☞ The Deskew function does not work properly in the following situations. Disable Deskew in these cases.
 - When scanning a page with a dark area near the edge
 - When scanning a glossy or reflective document
 - When the brightness setting is incorrect
 - When Custom setting is selected in the Gamma Settings dialog box
- ☞ Note that in other cases, depending on the document, the slant of the image may not be corrected properly or part of the image may be omitted.

Moire Reduction

When 300 dpi or lower resolution is selected, you can enable Moire reduction if Moire patterns appear in scanned images.



[None]

No Moire processing is performed.

[High Speed Moire Reduction]

This mode gives priority to scanning speed, and generates images with the specified resolution from images scanned at 300 dpi. When 300 dpi resolution is selected, [High-Speed Moire Reduction] is not displayed.

[High Quality Moire Reduction]

This mode gives priority to image quality, and generates images with the specified resolution from images scanned at 600 dpi.

Although image quality is high, scanning is slow.

When [High Quality Moire Reduction] is selected while Page Size is set to [Auto-detection], Mode is set to [24-bit Color], and Scanning Side is set to [Duplex] all at the same time, a portion of the document may not be scanned due to insufficient memory on the scanner. If this occurs, lower the image quality by selecting [Speed priority], or change the Scanning Side setting to [Simplex].

Image Quality

When 400 or 600 dpi resolution is selected, you can enable this and select either [Speed Priority] or [Image Quality Priority Image].



[Speed Priority]

This mode gives priority to scanning speed, and generates 400 or 600 dpi images from images scanned at 300 dpi.

Although scanning speed is fast, image quality is slightly reduced.

[Image Quality Priority]

This mode gives priority to image quality, and scans at 600 dpi.

When 400 dpi resolution is selected, 400 dpi images are generated from images scanned at 600 dpi.

☞ Scanning with 24-bit Color is disabled when [Image Quality Priority] is selected. Also, an error may be displayed with some combinations with other settings, in which case [Speed Priority] should be selected, or other settings changed.

[Scan Options] (TWAIN driver only)

Specify operation when scanning continuously with a TWAIN-compatible application.

[Standard image]

Eject a scanned page before scanning the next page.

[Scan Ahead]

Scan pages continuously, so scanning speed is faster than [Standard image].

[Scan Single Page]

The [Scanning Side] setting on the [Basic] tab sheet becomes [Simplex], and one page is scanned.

When [High Quality Moire Reduction] is selected while Page Size is set to [Auto-detection], Mode is set to [24-bit Color], and Scanning Side is set to [Duplex] all at the same time, a portion of the document may not be scanned due to insufficient memory on the scanner. If this occurs, lower the image quality by selecting [Speed priority], or change the Scanning Side setting to [Simplex].

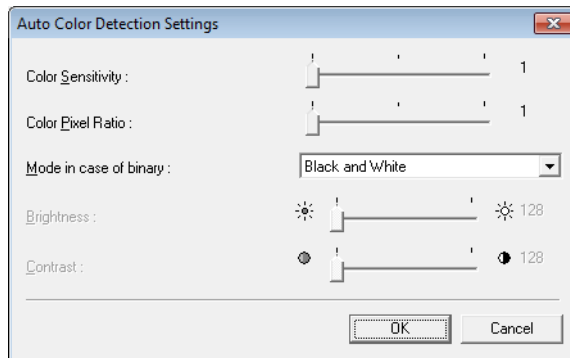
[Area] Button

Open the [Scan Area] dialog box to specify the area to scan. (See “[Scan Area] Dialog Box,” on p. 73.)

The [Area] button is not displayed if the application program provides its own function to specify scan area.

[Auto Color Detection Settings] Dialog Box

This dialog box appears when you select [Auto Color Detection], where you can make settings for detecting whether scanned images are color or black and white, and select the mode to use when an image is detected as black and white.



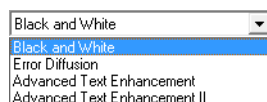
Color Sensitivity/Color Pixel Ratio

These settings are used to determine whether a document is a color document. The scanner detects document colors according to the color sensitivity setting, and determines that the scanned document is a color document based on the color pixel ratio.

- Usually, the default settings can be used without change, unless you want to force the scanner to recognize a heavily colored document as a black-and-white document.
- If a color document is detected as a black-and-white document with the default settings, select [24-bit Color]. When [Auto Color Detection] is selected, [Hi-Speed Text Enhancement] cannot be selected.

Mode in case of binary

Select the scanning mode when a page is judged to be black and white.



- [High-Speed Text Enhancement] is disabled when [Auto Color Detection] is enabled.

Brightness

This control adjusts brightness when [Advanced Text Enhancement] or [Advanced Text Enhancement II] is selected with Black and White mode. For other modes, brightness is set on the [Brightness] tab sheet.

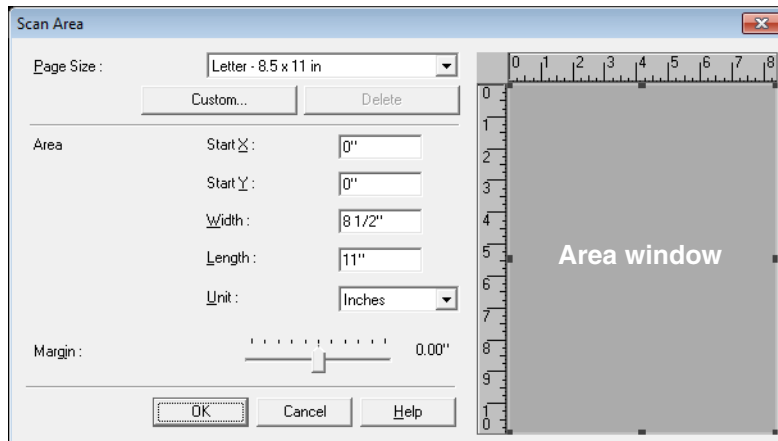
Contrast

This control adjusts contrast when [Advanced Text Enhancement II] is selected with Black and White mode. For other modes, contrast is set on the [Brightness] tab sheet.

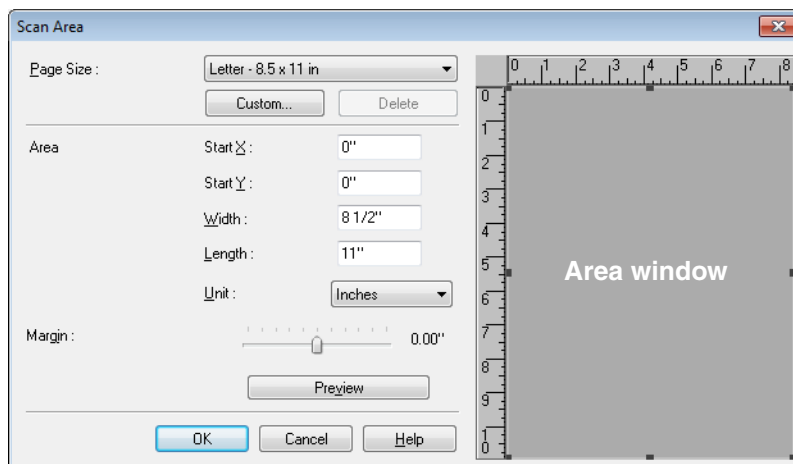
[Scan Area] Dialog Box

In this dialog box you can define the area of the document page to scan on a selected page size, and register non-standard document page sizes. The Scan Area dialog box is different for ISIS and TWAIN drivers.

Scan Area Dialog Box (ISIS Driver)



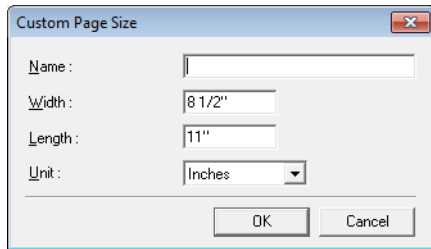
Scan Area Dialog Box (TWAIN Driver)



Page Size

This setting is linked to the [Page Size] setting, for selecting the size of document pages to scan.

- Clicking the [Custom] button opens the [Custom Page Size] dialog box, where non-standard page sizes can be registered as custom page sizes.



Area

Select the area to be scanned.

- ☞ Area settings here are overridden in the following cases:
 - When the [Auto-detection] page size is selected
 - When [Text Orientation Recognition] is enabled on the [Image processing] tab sheet
- ☞ When [Deskew] is enabled on the [Basic] tab sheet, the specified area may be displaced when scanning.

Area Window

The size indicated for the Area window corresponds to the page size setting, and the area within the panel indicates the current scanning area.

- ☞ The scanning area can be adjusted by dragging the handles ■ bordering the Area window with your mouse.
- ☞ With CapturePerfect, the last scanned image appears in the Area window.

Margin

This control adjusts the top, bottom, left and right margins around the scanning area so that you can expand the scanning area to include the edges of a document, or reduce it to avoid black frames around scanned images.

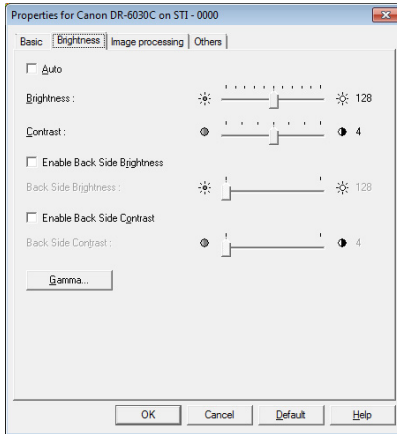
- ☞ If the edges of documents are missing from scanned images, move the slider to the right to expand the scanning area.
- ☞ To eliminate the black frame around scanned images, reduce the scanning area by moving the slider to the left.
- ☞ The measurement units for margins are determined by the [Unit] setting. However, changing the margin [Unit] setting is not possible on the extended version of the [Basic] tab sheet (p. 65.)

Preview Button (TWAIN driver only)

Click the [Preview] button to scan one document page and display its preview image in the Area window. (See “Adjusting the Scan Area,” on p. 93.)

[Brightness] Tab Sheet

On the [Brightness] tab sheet, you can adjust brightness and contrast for scanning, and access gamma settings. The availability of brightness and contrast settings depends on the mode setting on the [Basic] tab sheet, and if [Custom] gamma setting is enabled, all settings on this tab are disabled and cannot be changed.



The availability of brightness and contrast settings are as follows according to the mode setting on the [Basic] tab sheet.

Scanning mode	Auto	Brightness	Contrast	Back Side Brightness	Back Side Contrast
Auto Color Detection	—	✓	✓	✓	✓
Black and White	✓	✓	✓	✓	✓
Error Diffusion	—	✓	✓	✓	✓
Advanced Text Enhancement	—	✓	—	—	—
Advanced Text Enhancement II	—	✓	✓	—	—
High-Speed Text Enhancement	—	✓	✓	—	—
256-level Gray	—	✓	✓	✓	✓
24-bit Color	—	✓	✓	✓	✓

✓ : Available for setting

— : Not available for setting, or automatically set

[Auto] Check Box

This check box is enabled when the scanning mode is [Black and White], and selecting it adjusts brightness and contrast to match the document.

Brightness

Adjusts the brightness of images to be scanned.

- ☞ If images are too dark or if text on the back bleeds through, you can drag the slider to the right to increase the setting.
- ☞ If images are too light, drag the slider to the left to decrease the setting.
- ☞ When the [Auto] check box is selected, the slider selects a brightness level to be used for automatic adjustment.

Contrast

Adjusts the contrast of images to be scanned.

[Enable Back Side Brightness] Check Box

If the brightness of the front and back of the document pages is different, select this to adjust only the brightness of the back side.

[Enable Back Side Contrast] Check Box

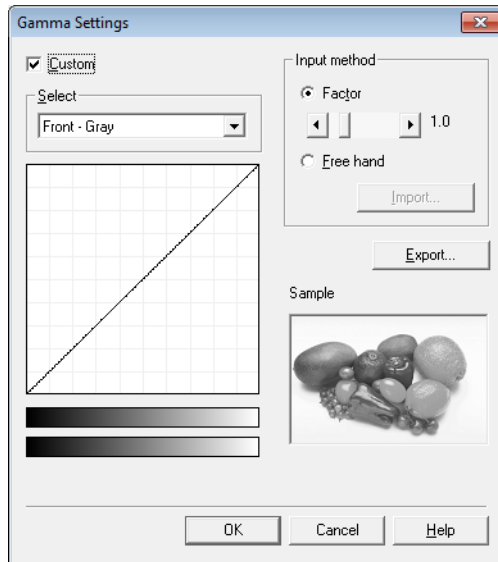
If the contrast of the front and back of the document pages is different, select this to adjust only the contrast of the back side.

[Gamma] Button

This button opens the [Gamma Settings] dialog box, where you can adjust the gamma curve.

[Gamma Settings] Dialog Box

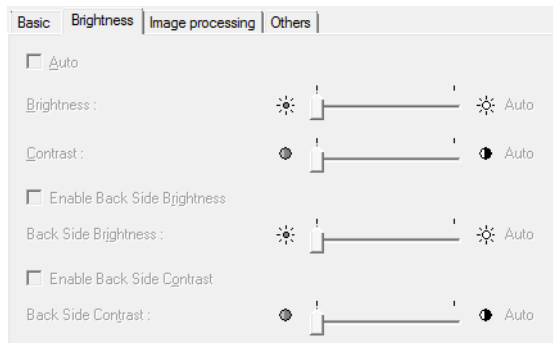
Use the [Gamma Settings] dialog box to adjust the gamma correction value.



[Custom] Check Box

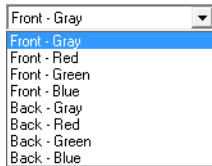
Select this check box to set custom gamma correction.

- ☞ When [Custom] gamma setting is selected, all settings on the [Brightness] tab sheet are made automatically.



Select

Select the side and color for custom setting.



- ☞ The color bar and color of the sample image are changed to show the specified color.

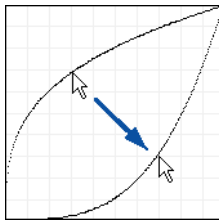
Input method

Select the setting method for gamma correction.

[Factor]

Move the slider left or right to adjust gamma correction factor between 0.2 and 5.0.

- ☞ The gamma correction value, Gamma Curve Graph and sample image color are interlinked.
- ☞ Clicking at a point in the Gamma Curve Graph with your mouse changes the gamma curve and color of the sample image to match that point.
- ☞ You can also move the gamma curve by dragging it with the mouse.



[Freehand]

The output value for a particular input value in the gamma table can be specified with the mouse.

- ☞ Click any point in the Gamma Curve Graph to set that point as an output value.
- ☞ Drag the mouse on the Gamma Curve Graph to set the output value according to the mouse movement.

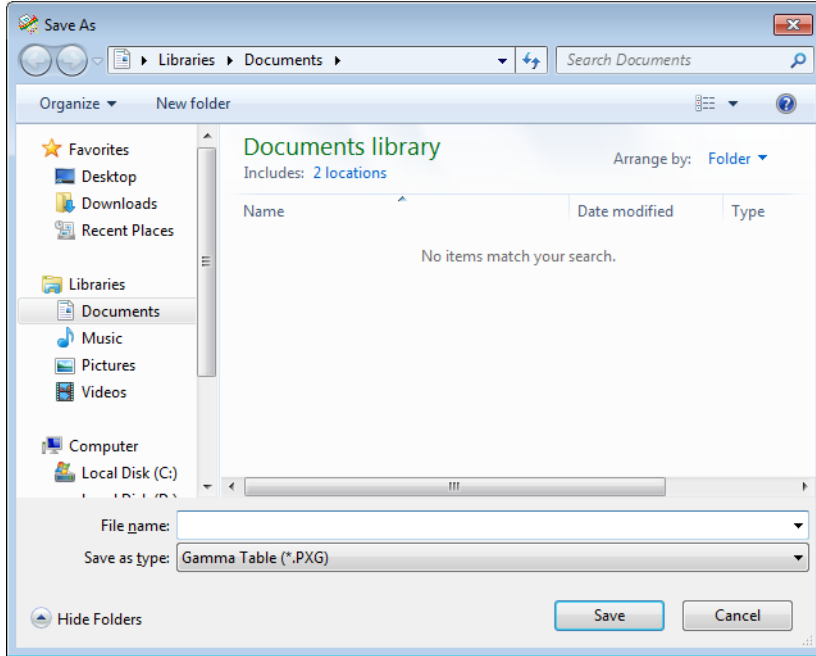
[Import] Button

Clicking this button loads gamma table data (*.png file) that was previously stored with the [Export] button.

- ☞ Imported gamma data is reflected in the Gamma Curve Graph.

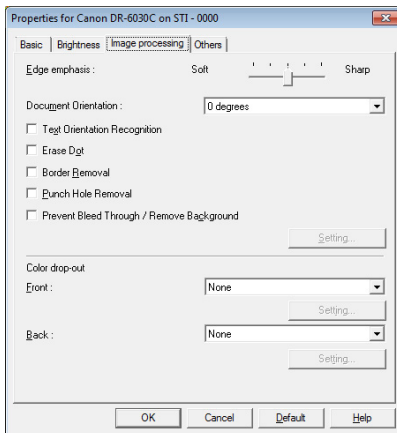
[Export] Button

Clicking this button exports the custom gamma curve settings as a gamma table file (*.pxg.)



[Image processing] Tab Sheet

The [Image processing] tab sheet provides settings affecting processing of scanned images. Some settings may be disabled depending on the mode settings on the [Basic] tab sheet. Refer to “Mode-Dependent Function Limitations,” on p. 68 for details.



[Reverse Image] Check Box (TWAIN driver only)

The document is scanned with black and white reversed when scanning in black and white (binary) mode.

[Edge Emphasis]

Adjusts image contours. Move the slider toward Soft to soften image contours, or toward Sharp to sharpen image contours.

[Document Orientation]

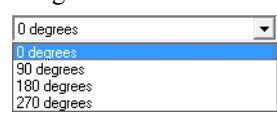
This setting selects an angle (0, 90, 180 or 270 degrees) to rotate scanned images for orientation normalization.

- ☞ Scanned images are rotated as follows according to the orientation of loaded documents and the selected rotation angle.

Feeder documents: face up				
Image rotation (clockwise)	0°	90°	180°	270°
Flatbed documents: face down				

[Text Orientation Recognition] Check Box

Select this check box to detect text orientation in scanned images, and rotate images in 90° increments as needed to normalize orientation.



- ☞ When [Text Orientation Recognition] is selected, [Image Rotation] and area settings in the Scan Area dialog box are disabled.
- ☞ Some application programs do not support [Text Orientation Recognition]. Please disable [Text Orientation Recognition] if your application program behaves abnormally when it is enabled.

[Erase Dot] Check Box

Select this to remove isolated black pixels (3×3 dots or smaller) from a white background, or isolated white pixels from a black background.

[Border Removal] Check Box

Select this to remove black borders surrounding scanned images.

[Punch Hole Removal] Check Box

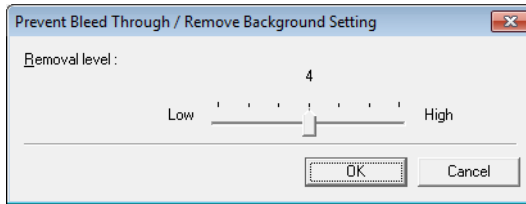
Select this to remove the black spots from scanned images when scanning documents with punch holes.

- ☞ If punch holes are located within text or graphics in the document, they may be misidentified as graphics, and may not be removed.

[Prevent Bleed Through / Remove Background] Check Box

Select this to Prevent Bleed Through when scanning thin document pages and those with dark content on the back side, or to remove the background from document images.

When this check box is selected, the [Setting] button is enabled to allow adjustment of the removal level in the [Prevent Bleed Through / Remove Background Setting] dialog box.

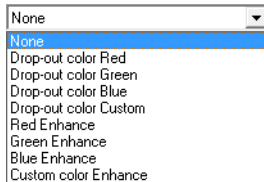


[Reverse Image] Check Box (TWAIN driver only)

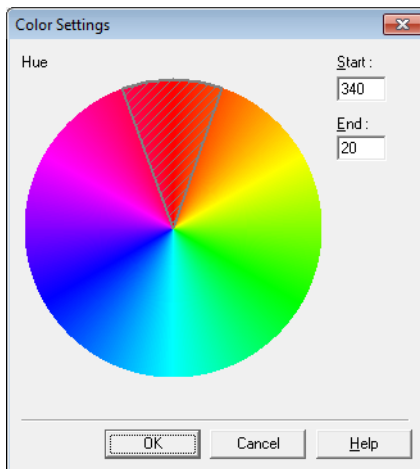
Select this check box to reverse (swap) black and white when scanning documents as black and white (binary) images.

Color Drop-Out

These selections are enabled for scanning modes other than 24-bit Color, so that you can select a primary color (red, green, blue) or gray to be ignored (dropped out) or enhanced.



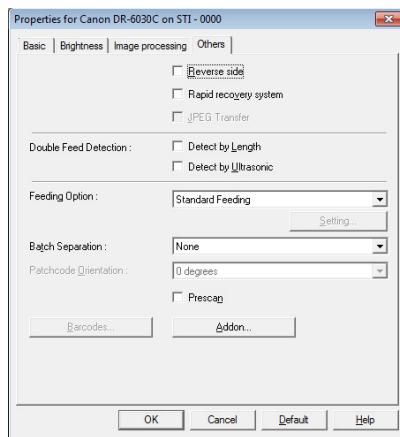
The [Setting] buttons are enabled when [Drop-out color Custom] or [Custom Color Enhance] is selected, so that you can specify a color range in the [Color Settings] dialog box for drop-out or enhancement.



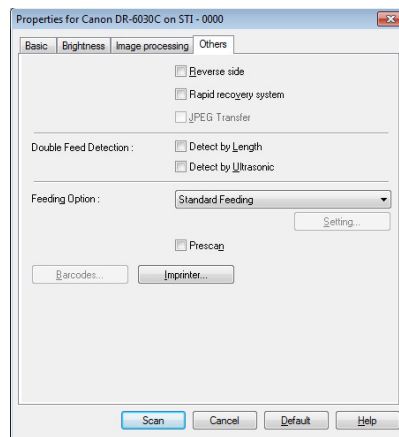
- ☞ The color range within the shaded (cross-hatched) area is dropped out or enhanced.
- ☞ You can move the shaded area by dragging with the mouse.
- ☞ You can change the specified color range by dragging the edges of the shaded area.
- ☞ Because your operating environment affects the colors you specify on screen, they may not match those actually dropped out or enhanced: that is, the colors you specify may not match those processed.

[Others] Tab Sheet

The settings on the [Others] tab sheet are different for the ISIS and TWAIN drivers. Also, some settings may be disabled depending on the mode settings on the [Basic] tab sheet. Refer to “Mode-Dependent Function Limitations,” on p. 68 for details.



ISIS driver



TWAIN driver

[Reverse side]

Scanning occurs as follows depending on the scanning side settings.

- ☞ When this check box is selected and the scanning side is set to [Simplex], only the back of each page is scanned.
- ☞ When this check box is selected and the scanning side is set to [Duplex] or [Skip Blank Page], the back of each page is scanned first, followed by the front.

[Rapid Recovery System] Check Box

If a paper jam causes paper transport to stop while scanning, scanning stops without sending an error notification to the application program. After fixing the cause of the stoppage, you can continue scanning with the standard operations.

[JPEG Transfer] Check Box

When this check box is selected, scanned image data is always compressed to JPEG format within the scanner for output to the computer.

Scanned image data is output from the scanner as an uncompressed or JPEG transfer, depending on instructions from the ISIS/TWAIN driver or application program.

- ☞ Uncompressed transfers output raw scanned image data, so when the image data is large, significant time may be required for transfer from the scanner to the computer.
- ☞ JPEG transfer is good for color and grayscale images, as scanned image data is JPEG-compressed within the scanner before output. This reduces the size of the image data for output, so transfer time from the scanner to the computer is shortened.

When JPEG Transfer is selected, image data from the scanner is always output as JPEG-compressed data.

- ☞ When the uncompressed saving format is selected in the application program, JPEG-compressed image data is reconverted to uncompressed data before transfer to the application. Image quality is degraded slightly as a result.
- ☞ This check box setting is ignored if the application program requests a JPEG transfer.
- ☞ Of course application program requests depend on the specifications of the particular program.

Double Feed Detection

This function stops document transport when double feeding of document pages is detected, and provides selection of the detection method to suit the documents to be scanned. (See “Double Feed Detection Function,” on p. 54.)

[Detect by Length]

This method of double feed detection is good for batch scanning of same-size documents: the length of the first document page fed is taken as a standard, and when a subsequent document is detected to be 1.96" (50 mm) longer (or shorter) than the standard, a double feed is judged to have occurred, and document transport is stopped.

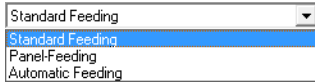
[Detect by Ultrasonic]

This method of double feed detection is good for batch scanning of different-size documents: the overlapping of documents transported in a batch is detected ultrasonically, and if the detected overlap is 1.96" (50 mm) or more, a double feed is judged to have occurred and document transport is stopped.

- ☞ Both detection methods can be used at the same time.
- ☞ If the documents overlap by less than 1.96" (50 mm), or if the documents cling (such as from static electricity,) ultrasonic detection of double feeds may be unreliable.

Feeding Option

Here you can select the feeding method for document scanning.



[Standard Feeding]

This feeding method is good for scanning small batches of documents that are loaded one batch at a time: scanning stops when the loaded documents have been scanned.

[Panel Feeding]

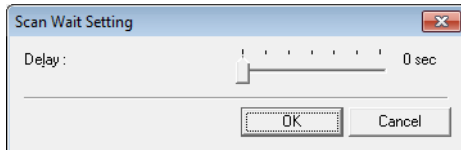
This feeding method is good for scanning batches of documents of different sizes: after loading the documents, press the Job button (assigned as a Start button on the scanner) to start scanning, and press the assigned Stop button to stop scanning.

- ☛ When scanning documents with different-size pages, after loading the documents, you can adjust the document guide position.

[Automatic Feeding]

This feeding method is good for scanning batches of same-size documents: scanning starts when the scanner detects loaded documents, and stops when you press the Stop button.

- ☛ When [Automatic Feeding] is selected, the [Setting] button is enabled to allow setting the delay time from when a loaded document is detected until scanning starts. (See “Scanning Multiple Documents,” on p. 94.)



- ☛ When the feed selection lever on the scanner is in the down position (⬇), the feeding option is set to bypass mode and cannot be changed. (See “How to Feed with the Bypass Mode,” on p. 30.)



Batch Separation (ISIS driver only)

Items available for selection depend on the Feeding Option setting: select batch separation timing (for when to start scanning) according to the batch separation capabilities provided by the application program.

With the [Standard Feeding] Feeding Option



With the [Automatic Feeding] or [Panel Feeding] Feeding Option



[Auto]

Each batch of documents is saved with different file names.

[Patchcode]

Batches are separated whenever a patchcode sheet is detected between documents. (See “Using Patchcode Sheets,” on p. 47.)

- When [Patchcode] is selected, the [Folio] Scanning Side setting on the [Basic] tab sheet is not available.

Patchcode Orientation (ISIS driver only)

When [Patchcode] batch separation is enabled, you can select patchcode orientation here.



- Settings for various patchcode types and orientations on document pages are as follows.

Patch T FILE A				
Patch II FILE B				
Patchcode orientation	0°	90°	180°	270°

[Prescan] Check Box

When this check box is selected, the first document page is prescanned and displayed in the Prescan panel when scanning is first started. Continue scanning after you confirm or adjust brightness and contrast of the scanned image in the Prescan window. (See “Prescan,” on p. 99.)

[Barcodes] Button

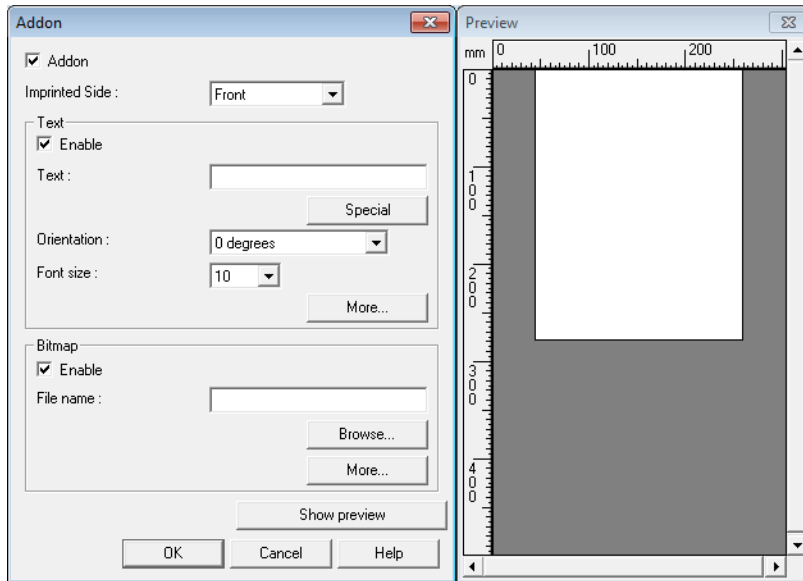
This is enabled when the optional barcode module is installed: click it to open the Barcode dialog box and make settings affecting barcode detection in documents. For details, see the ISIS/TWAIN driver Help, or contact your supplier.

[Addon] Button

This button opens the [Addon] dialog box, where you can make setting for adding text or bitmap images to scanned document images.

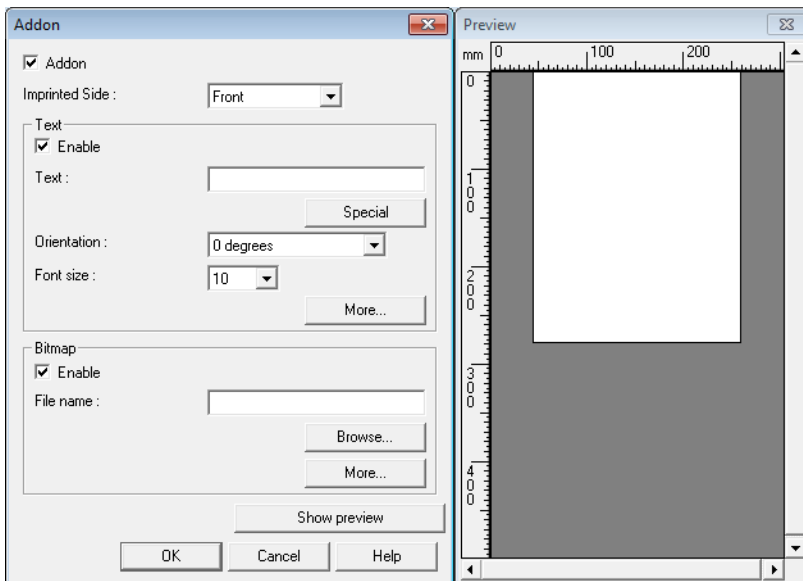
[Addon] Dialog Box

The [Addon] dialog box opens when you click the [Addon] button on the [Others] tab. This dialog box allows you to add text strings or bitmap images to scanned images.



Addon Dialog Box

Here you can make settings for adding text or bitmaps onto scanned images.



[Addon] Check Boxes

Select the respective check box to enable adding text or images to the scanned image.

Addon

[Text] Settings

[Enable] Check Box

Select this check box to enable the text settings for addon.

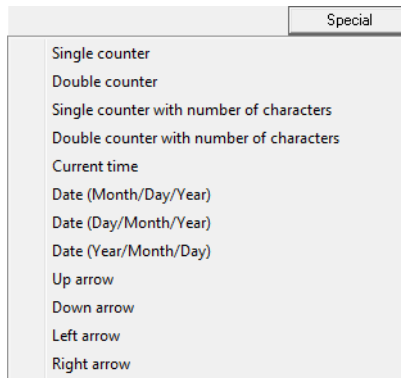
Text

Enter the text string to be applied.

The following characters can be entered.

- Numerals 0 to 9
- Alphabetic characters A to Z and a to z
- Punctuation and symbols: !"#\$%&'()*+-.,:;<>=?@[] { } ~ ` \

Enter special text such as counters, dates and arrows from the list that appears by clicking the [Special] button. The selected abbreviation is inserted into the text string.



[Single counter] abbreviation: <C>

Inserts one 9-digit counter.

[Double counter] abbreviation: <CC>

Inserts two 9-digit counters.

[Single counter with number of characters] abbreviation: <Cx>

A dialog box appears in which to specify the number of characters of the single counter. The specified number of characters of the single counter will be inserted into scanned images.

[Double counter with number of characters] abbreviation: <CxCx>

A dialog box appears in which to specify the number of characters of the double counter. The specified number of characters of the double counter will be inserted into scanned images.

[Current time] abbreviation: <TIME>

Inserts the time of scanning using 8 digits in 24-hour format.

[Date (Month/Day/Year)] abbreviation: <MDY>

Inserts the date of scanning using 10 characters in Month/Day/Year format.

[Date (Day/Month/Year)] abbreviation: <DMY>

Inserts the date of scanning using 10 characters in Day/Month/Year format.

[Date (Year/Month/Day)] abbreviation: <YMD>

Inserts the date of scanning using 10 characters in Year/Month/Day format.

[Up arrow] abbreviation: <U>

Inserts an up arrow (↑) symbol.

[Down arrow] abbreviation: <D>

Inserts a down arrow (↓) symbol.

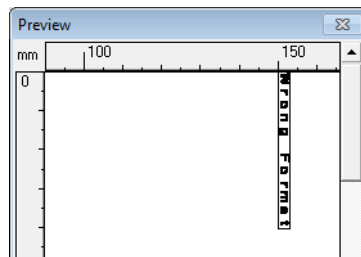
[Left arrow] abbreviation: <L>

Inserts a left arrow (←) symbol.

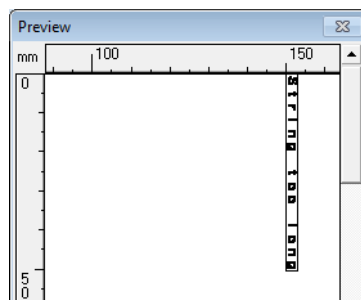
[Right arrow] abbreviation: <R>

Inserts a right arrow (→) symbol.

- Special text can only be entered for one type of counter. If entered for two counter types, the Preview panel displays an error message.



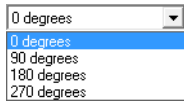
- A maximum of 96 characters can be added, but this maximum decreases as the [Font size] setting is increased. When an entered text string exceeds the available maximum, the preview window displays an error.



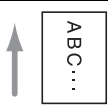
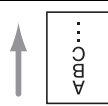

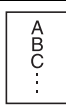
- When inserting special text, the actual number of characters to apply can become quite large, even though little text is actually entered.

[Orientation]

Specify the orientation for the text to be applied.



☞ Text orientation relative to the feeding direction is as follows.

Orientation	0°	90°	180°	270°
Addon				

[Font size]

Select the font size of the text to be applied.

Font size (points): 3, 4, 6, 8, 9, 10, 12, 16, 18, 20, 24, 28, 30 or 38

☞ When add-on text is applied to an image, the size of the characters depends on the scan resolution.

[More] Button (Text)

Click this button to display the [Character String Settings for the Imprinter/Addon] dialog box. (See “Text/Bitmap Settings Dialog Boxes,” on p. 89.)

[Bitmap] Settings

[Enable] Check Box

Select this check box to enable application of bitmap images to scanned images.

☞ When adding a bitmap image, it is processed when scanning is started. This can cause some delay before scanning actually begins, depending on the size and settings of the bitmap image.

☞ When adding a bitmap image, a message is displayed until scanning begins.

[File name]

Specify the file name of the image to be applied.

☞ The bitmap image with the specified file name is rotated 90 degrees when applied.

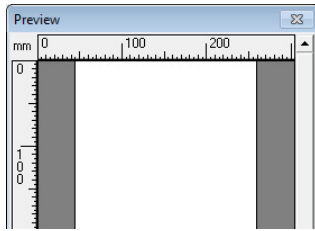
☞ Only bitmap images (*.bmp files) can be applied.

[More] Button

Click this button to display the [Bitmap Settings for the Imprinter/Addon] dialog box. (See “Text/Bitmap Settings Dialog Boxes,” on p. 89.)

Preview Panel

The specified content to be applied is displayed in the Preview panel.



- You can magnify the Preview display in four steps with the left mouse button, and reduce it with the right mouse button.

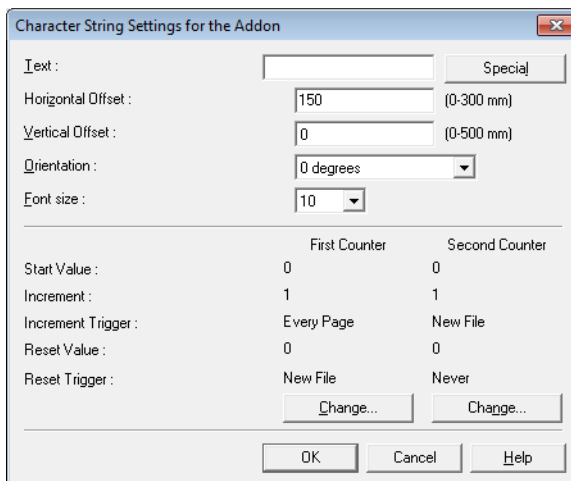
[Show preview] button

Click this button to activate the Preview panel.

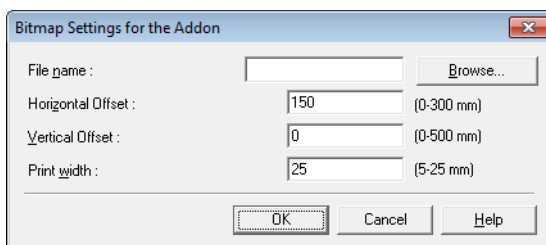
Text/Bitmap Settings Dialog Boxes

These dialog boxes open when you click the respective [More] button for text or bitmap in the [Addon] dialog box. Here you can make settings for text or bitmaps to be added onto scanned images.

Character String Settings for the Addon Dialog Box



Bitmap Settings for the Addon Dialog Box



[Horizontal Offset]

Enter the desired offset from the edge of the document feeder inlet.

(0-300 mm)

- ☞ When applying an add-on to the front side, enter the offset from the left side of the feeder inlet.
- ☞ When applying an add-on to the back side, enter the offset from the right side of the feeder inlet.
- ☞ The entered offset is the distance to the left end of the applied text (or bitmap image.)

[Vertical Offset]

Enter the distance from the top edge of the page.

(0-500 mm)

Print width

Enter the width of the bitmap image to be applied.

(5-25 mm)

- ☞ The bitmap image will be rotated 90° clockwise and compressed to the specified width before it is applied.
- ☞ An error message may appear depending on the size of the image file. If this happens, reduce the Print width.

First Counter

This is the current setting for the single counter, or for the first counter if double counters are selected.

- ☞ Settings can be changed in the First Counter settings dialog box.

Second Counter

This is the current setting for the second counter if double counters are selected.

- ☞ Settings can be changed in the Second Counter settings dialog box.

[Change] Buttons

Click these buttons to display the respective counter settings dialog box.

First and Second Counter Settings Dialog Boxes

These dialog boxes open when you click the respective [Change] button in the [Character String Settings for the Addon] dialog box. Here you can make settings for counters to be added onto scanned images.

The screenshot shows a dialog box titled "First Counter" with the following fields and values:

- Start Value: 0 (0-99999999)
- Increment: 1 (0-99999999)
- Increment Trigger: Every Page
- Reset Value: 0 (0-99999999)
- Reset Trigger: New File

Buttons: OK, Cancel

Start Value

Enter the start value for the counter.

Increment

This is the counter increment value. The counter increments by the value entered here.

Increment Trigger

Specifies the type of event that triggers a counter increment.

[New File] (ISIS driver only)

The counter increments when a batch separation occurs according to the Batch Separation settings on the [Others] tab sheet. (See “Batch Separation (ISIS driver only),” on p. 83.)

[Every Page]

Increments once per page.

[None]

No counter increment occurs.

Reset Value

Select the initial value when the counter is reset.

Reset Trigger

Specifies the type of event that resets the counter.

[New File] (ISIS driver only)

The counter is reset when a batch separation occurs according to the Batch Separation settings on the [Others] tab sheet. (See “Batch Separation (ISIS driver only),” on p. 83.)

[Every Page]

Resets the counter once per page.

[None]

No counter reset occurs.

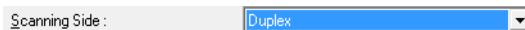
2. Practical Examples

This section provides examples of settings for the DR-6030C ISIS/TWAIN driver. Refer to these examples when making ISIS/TWAIN driver settings. For descriptions of particular setting items, see “ISIS/TWAIN Driver Properties Dialog Box,” on p. 64.

Scanning Both Sides of Pages

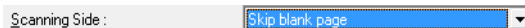
- **To scanning both sides of pages**

Select [Duplex] for the Scanning Side setting on the [Basic] tab sheet. (See “Scanning Side,” on p. 69.)



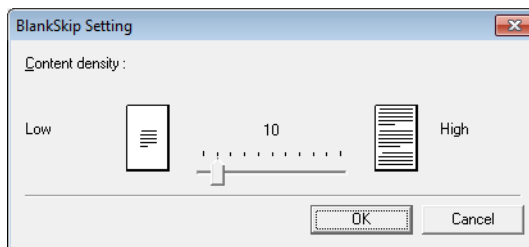
- **To avoid scanning blank pages, such as pages at the back of a document**

Select [Skip blank page] for the Scanning Side setting on the [Basic] tab sheet. Duplex scanning is performed, and pages images detected as blank are not saved. (See “Scanning Side,” on p. 69.)



- **If blank pages are not skipped, even when [Skip blank page] is selected**

Increase the [Content density] in the [Blank Skip Setting] dialog box. If the [Content density] is set too low for documents with a light background, they may not be detected as blank pages, and not be skipped. (See “Scanning Side,” on p. 69.)



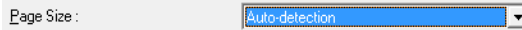
- **If documents with text are skipped as blank pages**

Decrease the [Content density] in the [Blank Skip Setting] dialog box. If the [Content density] is set too high for documents with little text, they may be incorrectly detected as blank pages, and be skipped. (See “Scanning Side,” on p. 69.)

Scanning Non-Standard-Size Documents

- **To scan non-standard-size documents**

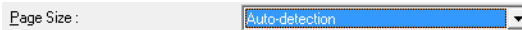
If non-standard-size documents are scanned with a standard size selected for the Page Size setting on the [Basic] tab sheet, black regions may appear around the scanned document image. To scan non-standard-size documents, select [Auto-detection] as the [Page Size]. Page size is then detected automatically. (See “Page Size,” on p. 68.)



- **To scan long-page documents**

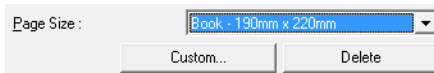
Set the scanning mode to Long Document mode, and select [Auto-detection] as the [Page Size] in the Properties dialog box. Document pages may be up to three meter long.

(See “Long Document Mode,” on p. 55, and “Page Size,” on p. 68)



- **To register a non-standard page size**

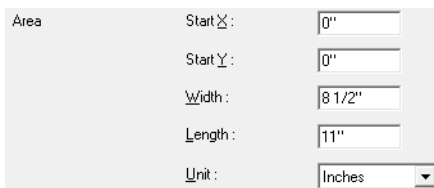
A non-standard page size not already registered as a page size selection can be saved as a custom page size by selecting the [Custom] button in the Scan Area dialog box. (See “User Preferences,” on p. 66.)



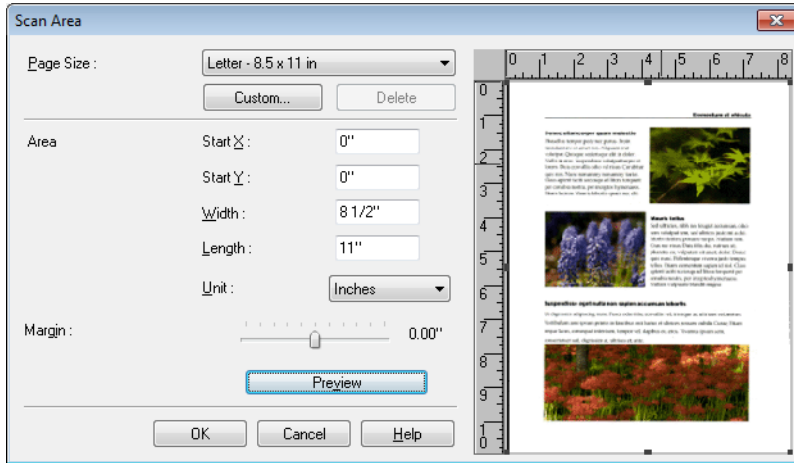
Adjusting the Scan Area

- **To scan only part of the document page**

You can specify any area on the page in the Scan Area dialog box. However, scan area settings are ignored when [Auto-detection] is selected as the [Page Size]. (See “[Scan Area] Dialog Box,” on p. 73.)



With the TWAIN driver, load a document in the scanner and click the [Preview] button to scan one page. The scanned image is displayed in the Area window so that you can adjust the scan area while viewing the preview image. (See “Preview Button (TWAIN driver only),” on p. 74.)



With CapturePerfect, the last scanned image appears in the Area window. After executing [Scan Single Page], open the Scan Area dialog box to view the scanned image in the Area window, where you can set the scan area while viewing the preview image.

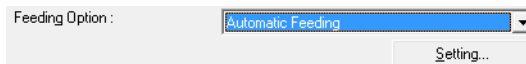
- **To avoid losing the edges of an image due to shifting of the document page, or to remove black frames from around images**
Adjust the scan area using the [Margin] slider in the Scan Area dialog box.



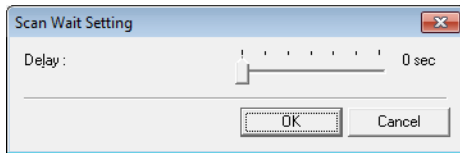
If the edges are missing from the image, move the slider to the right to expand the scanning area. Alternatively, to eliminate the black frame around scanned images, move the slider to the left to reduce the scanning area.

Scanning Multiple Documents

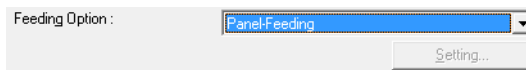
- **To scan a document that cannot be loaded all at once as multiple separate batches**
Set the [Feeding Option] on the [Basic] tab sheet to either [Automatic Feeding] or [Panel Feeding]. (See “Feeding Option,” on p. 83.)
When [Automatic Feeding] is selected as the [Feeding Option], the scanner detects documents and starts scanning as they are loaded, so continuous scanning is available just by loading the document batches repeatedly.



The [Setting] button allows setting a delay time from when a document is loaded until scanning starts.



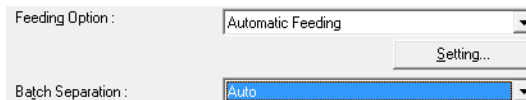
Set a delay time when you need to adjust the document guides or align the pages after loading a document with automatic feeding.
When [Panel Feeding] is selected as the [Feeding Option], scanning does not start until you press the Start button.



After loading different-size documents, adjust the document guides or sort the pages before pressing the Start button to start scanning.

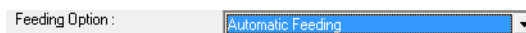
- **To create separate files for each batch of documents during continuous scanning (ISIS driver only.)**

Set the [Feeding Option] on the [Basic] tab sheet to either [Automatic Feeding] or [Panel Feeding], and set [Batch Separation] to [Auto]. Each batch of documents is saved with different file names. (See “Batch Separation (ISIS driver only),” on p. 83.)



- **To scan a batch of documents one page at a time**

Set the [Feeding Option] to either [Automatic Feeding] or [Panel Feeding], and scan each page. After scanning each page, the scanner returns to the waiting state.



When [Automatic Feeding] is selected as the [Feeding Option], the scanner detects documents and starts scanning as they are loaded.



When [Panel Feeding] is selected as the [Feeding Option], press the Start button to scan after loading each page.

- **To stop the scanner when pages double feed**

Confirm that the [Double Feed Detection] method selected on the [Others] tab sheet suits the document being scanned. (See “Double Feed Detection,” on p. 82.)

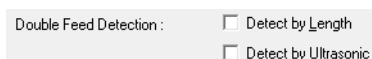
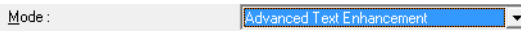


Image Adjustments for Scanning

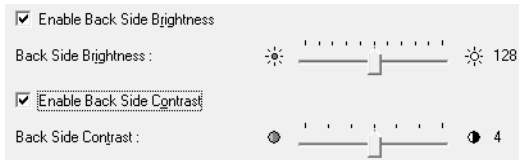
- **To enhance text in documents with a background (when scanning in black and white (binary) mode.)**

Select [Advanced Text Enhancement] as the Mode on the [Basic] tab sheet. The background behind the text is removed or processed so that the text is emphasized for better legibility. (See “Mode,” on p. 66.)



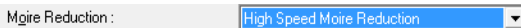
- **To scan documents with different brightness on the front and back**

Adjust the back side brightness and contrast on the [Brightness] tab sheet. However, when a text enhancement mode is selected, the back side brightness cannot be adjusted. (See “[Brightness] Tab Sheet,” on p. 74.)



- **To reduce the moire that appears when scanning photos from magazines, etc.**

Select [High Speed Moire Reduction] or [High Quality Moire Reduction] from the moire reduction options on the [Basic] tab sheet. However, [High Speed Moire Reduction] is not available when the resolution setting is 300 dpi. (See “Moire Reduction,” on p. 70.)



- **To rotate scanned images**

Select a rotation angle (0, 90, 180 or 270 degrees) as the Document Orientation setting on the [Image processing] tab sheet. (See “[Document Orientation],” on p. 79.)



Scanned images are rotated as follows according to the orientation of loaded documents and the selected angle.

Feeder documents: face up				
Image rotation (clockwise)	0°	90°	180°	270°
Flatbed documents: face down				

- **To rotate images to match document text**

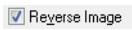
Select [Text Orientation Recognition] on the [Image processing] tab sheet. The text orientation on each page is detected, and the scanned image is rotated in 90-degree increments as needed for normalization.



When [Text Orientation Recognition] is selected, image rotation is disabled.

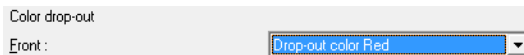
- **To reverse black and white in scanned images (TWAIN driver only)**

Select [Reverse Image] on the [Image processing] tab sheet. Black and white are reversed in scanned images. (See “[Reverse Image] Check Box (TWAIN driver only),” on p. 80.)



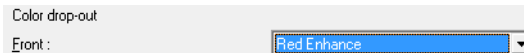
- **To ignore a particular color when scanning**

Select a color to be ignored (dropped out) in [Color drop-out] on the [Image processing] tab sheet, and that color will be eliminated from scanned images. (See “Color Drop-Out,” on p. 80.)



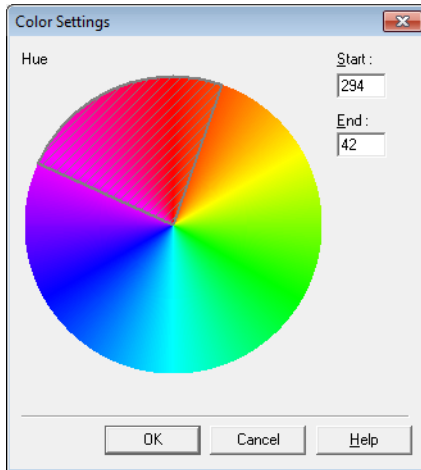
- **To enhance a particular color when scanning**

Select the color to be enhanced in [Color drop-out] on the [Image processing] tab sheet, and that color will be enhanced in scanned images. (See “Color Drop-Out,” on p. 80.)



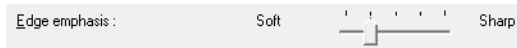
- **To skip or enhance a custom color**

Select [Drop-out color Custom] or [Custom color Enhance] in the [Color drop-out] list on the [Image processing] tab sheet to open the [Color Settings] dialog box. Here you can specify the range of colors to be dropped out or enhanced. (See “Color Drop-Out,” on p. 80.)



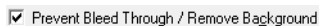
- **To enhance contours in images**

Adjust the [Edge Emphasis] setting on the [Image processing] tab sheet. (See “[Edge Emphasis],” on p. 79.)



- **To Prevent Bleed Through of text from the back side of thin document pages, or to remove the background from scanned images**

Select [Prevent Bleed Through / Remove Background] on the [Image processing] tab sheet. Bleed-through on thin paper and backgrounds are removed from scanned images. (See “[Prevent Bleed Through / Remove Background] Check Box,” on p. 80.)



- **To remove black areas around images**

Select the [Border Removal] check box on the [Image processing] tab sheet. The black areas around images are removed. (See “[Border Removal] Check Box,” on p. 79.)



- **To remove the black spots from scanned images when scanning documents with punch holes**

Select the [Punch Hole Removal] check box on the [Image processing] tab sheet. The black spots from punch holes in documents are removed from scanned images. (See “[Punch Hole Removal] Check Box,” on p. 79.)



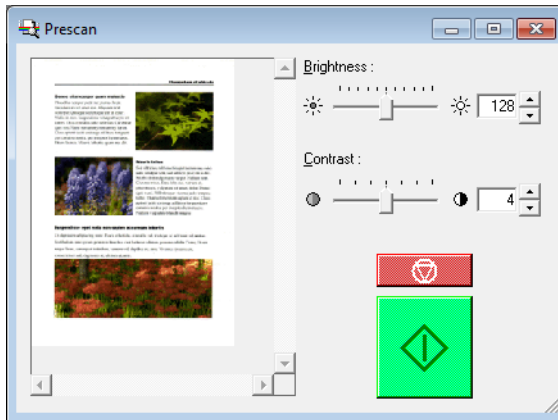
Prescan

- **To confirm images before scanning**

Select the [Prescan] check box on the [Others] tab sheet, and scan. When scanning is first started, the first document page is prescanned and displayed in the Prescan panel.

Prescan

- **About the Prescan Panel**



The Prescan window provides adjustments for image brightness and contrast of the first document page before continuing scanning.

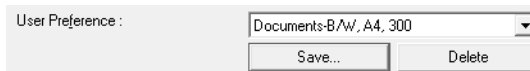
The image displayed in the prescan panel can be magnified for confirmation (with the mouse over the preview image, left click to magnify, and right click to reduce.)

Brightness and contrast adjustments are reflected in the prescan panel image. After confirming the image, click the Start button to resume scanning with the adjusted settings. Click the Stop button to stop scanning.

Preserving Your Settings

- **To preserve your settings for future use**

Register a name for your settings as [User Preference] on the [Basic] tab sheet. When you want to recall your settings later, select the name of your registered user preferences, and they will be reflected in the tab sheets.





Chapter 4

Appendices

1. Regular Maintenance	102
Cleaning the Scanner	102
Cleaning the feed path	102
Cleaning the Sensor Glass, Shading Boards, and the Rollers	103
Cleaning the Shading Boards	106
2. Removing and Attaching the Rollers	108
Roller Replacement Cycle	108
Resetting the Counter	109
Removing and Attaching the Pickup Roller	113
Removing and Attaching the Feed Roller	116
Removing and Attaching the Retard Roller	119
3. Troubleshooting	123
4. Uninstalling Software	131
5. Specifications	134
Specifications	134
Options	136
Replacement parts	136
External Dimensions	137

1. Regular Maintenance

Clean the scanner on a regular basis as described below to maintain peak scanning quality.

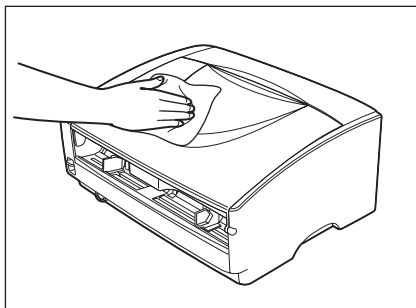


CAUTION

- **When cleaning the scanner or inside of the scanner, turn OFF the power switch and unplug the Power Cord from the outlet.**
- **The power needs to be ON when cleaning the rollers and the shading boards. Be careful of electric shocks when working on the scanner while the power is ON.**
- **Do not use excessive force when removing or attaching the rollers. Doing so may damage them.**
- **Do not use spray type cleaners to clean the scanner. Precision mechanisms, such as the light source, may get wet which will cause a malfunction.**
- **Never use paint thinner, alcohol, or other organic solvents to clean the scanner. Such solvents can damage or discolor the exterior of the scanner. They also create a risk of fire or electrical shock.**

Cleaning the Scanner

To clean the exterior of the scanner, dampen a cloth with water or a mild detergent, wring the cloth out thoroughly, and then wipe the dirt away. Then use a dry, soft cloth to wipe away any moisture.



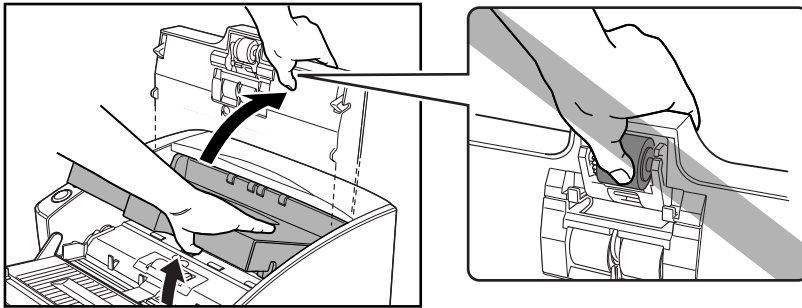
Cleaning the feed path

Dust or paper particles in the document feed opening or inside the scanner can cause lines in scanned images. Use a blower to periodically clean dust and paper particles from the document feed opening and the inside of the scanner. After finishing a large scanning job, you should turn off the scanner and then clean out any paper particles.

Cleaning the Sensor Glass, Shading Boards, and the Rollers

If scanned images have extraneous marks, or if the scanned documents are dirty, then the sensor glass or rollers inside the scanner may be dirty. Clean them periodically.

1. Pressing the OPEN knob from both sides, raise the upper unit.



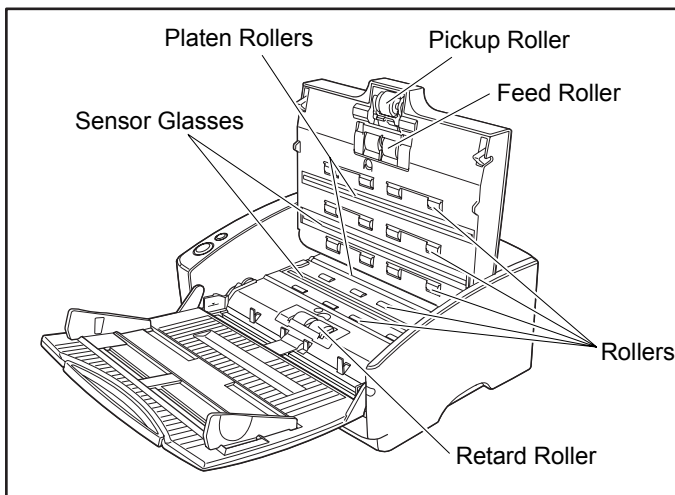
CAUTION

The pickup roller is located in the middle of the upper unit. Do not hold the protrusion on the upper unit when you open it. Doing so may deform the pickup roller or cause a feeding error.



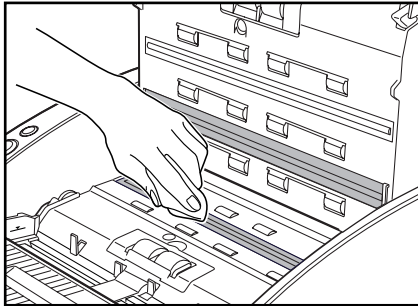
Note

The location of the sensor glass and various rollers are shown below.



2. Use a blower to keep the interior of the scanner free of dust and paper particles.

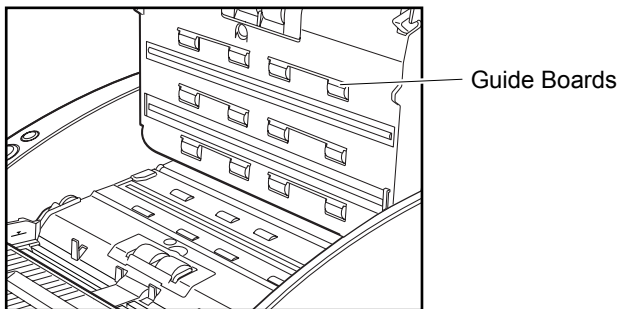
3. Use a clean dry cloth to wipe dirt off the sensor glass.
Wipe both the top and bottom sensor glasses.



IMPORTANT

Scratches on the sensor glass may cause marks on the images and could cause feeding errors. If there are scratches on the sensor glass, contact your local authorized Canon dealer or service representative.

4. Wipe the rollers with a firmly wrung cloth moistened with water.

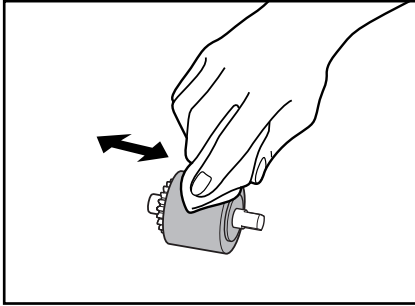


IMPORTANT

- Do not use detergent to clean the rollers, since any detergent on the rollers could cause a feeding error.
- If you cannot freely rotate the rollers, do not force them to rotate. Just clean the part that you can see. Forcing the rollers to rotate may cause a feeding error.
- Be careful not to bend the guide boards that are against the rollers on the upper unit.

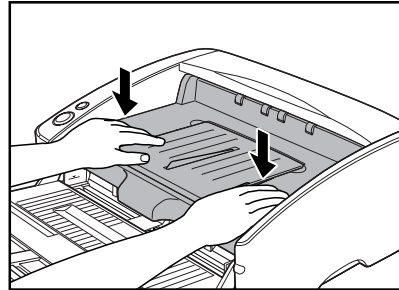
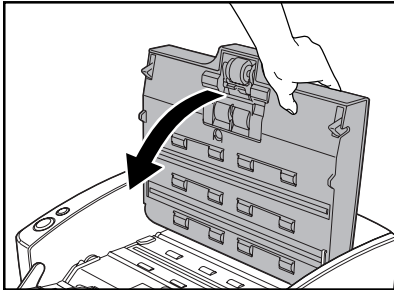
5. Remove the pickup roller, feed roller, and retard roller.
 - See “Removing the Pickup Roller,” on p. 114.
 - See “Removing the Feed Roller,” on p. 116.
 - See “Removing the Retard Roller,” on p. 119.

6. Wipe the removed rollers with a firmly wrung cloth moistened with water.

**IMPORTANT**

Do not use detergent to clean the rollers, since any detergent on the rollers could cause a feeding error.

7. Attach the rollers that were removed.
 - See “Attaching the Pickup Roller,” on p. 115.
 - See “Attaching the Feed Roller,” on p. 118.
 - See “Attaching the Retard Roller,” on p. 121.
8. Be sure that the upper unit is completely closed by pushing on both edges with both hands until you hear a click.

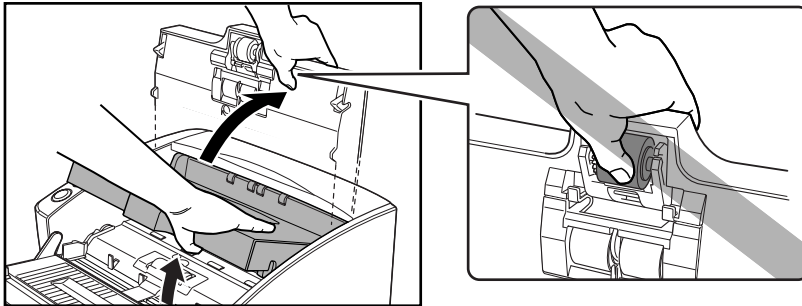
**IMPORTANT**

Do not force the upper unit to close. Doing so may damage the scanner.

Cleaning the Shading Boards

The shading boards are the white standard boards located behind the platen rollers. A dirty shading board may alter scanned colors or cause marks on the images.

1. Turn ON the power.
2. Hold the upper unit as shown in the diagram, and open it slowly until it stops.



CAUTION

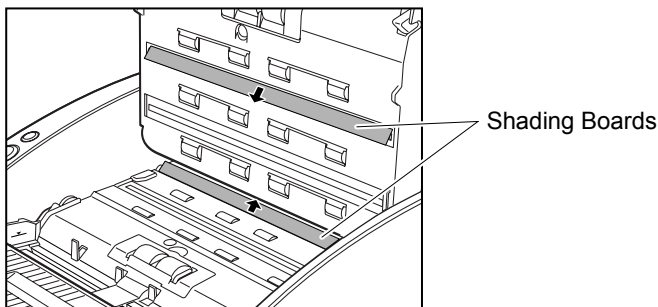
The pickup roller is located in the middle of the upper unit. Do not hold the protrusion on the upper unit when you open it. Doing so may deform the pickup roller or cause a feeding error.



IMPORTANT

Be sure to open the upper unit until it stops. If it is not opened all the way, the shading boards cannot come out.

3. Press the start button for about two seconds.
The shading boards come out above the platen rollers (upper and lower).



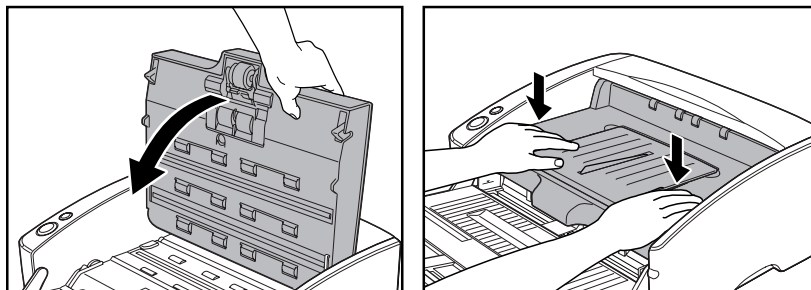
4. Wipe the only surface of the shading boards with a firmly wrung cloth moistened with water.



CAUTION

Wipe both the upper and lower shading boards.

-
5. Press the stop button.
The shading board goes back in.
 6. Close the upper unit slowly. Be sure that the upper unit is completely closed by pushing on both edges with both hands until you hear a click.



IMPORTANT

Do not force the upper unit to close. Doing so may damage the scanner.

2. Removing and Attaching the Rollers

Follow the relevant procedure to remove and attach the pickup roller, feed rollers and retard roller when you clean or replace them.



IMPORTANT

Feed rollers are consumable parts. When the rollers start to wear out, paper jams and misfeeds may occur more often. When this happens, buy an exchange roller kit, and replace the pickup roller, feed rollers and the retard roller.

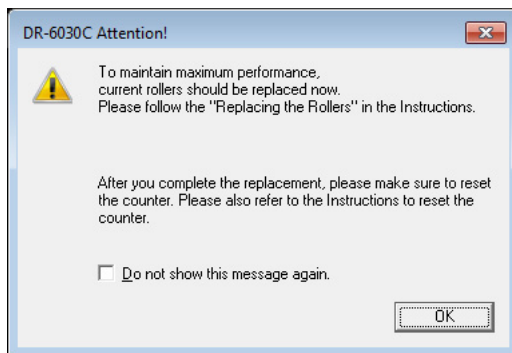


CAUTION

- **Turn ON the power to the scanner to remove or attach the pickup roller. Be careful when working on the scanner when the power is ON.**
- **Do not use excessive force when removing or attaching the rollers. Doing so may damage them.**

Roller Replacement Cycle

When the rollers being used have fed more than 250,000 pages, a roller replacement message is displayed on the computer. Buy a roller replacement kit and change the pickup roller, feed rollers and the retard roller.



IMPORTANT

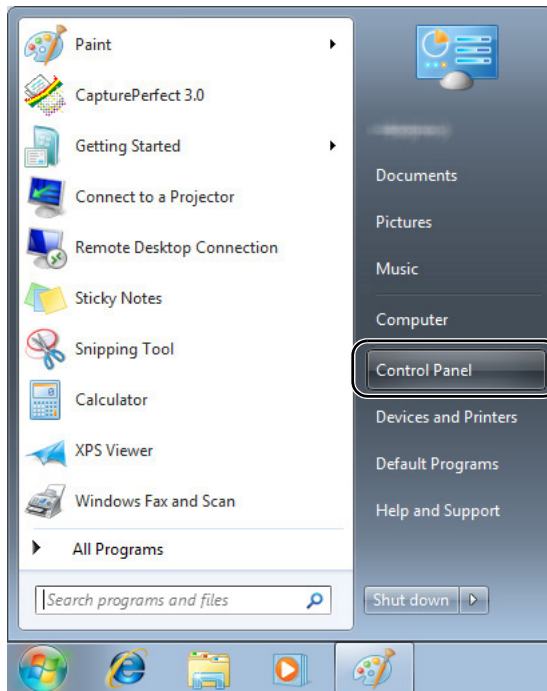
- If misfeeds happen often, check the rollers for wear, and replace them if necessary before the message is displayed.
- Be sure to reset the counter after replacing the rollers. (See “Resetting the Counter,” on p. 109.)
- Contact your local authorized Canon dealer or service representative for information about the exchange roller kit (pickup roller, feed rollers and retard roller).

Resetting the Counter

After replacing the feed rollers, open the [Counter setup] dialog box and reset the counter.

1. Follow the procedure below to open the [CANON DR-6030C USB Properties] (or [CANON DR-6030C SCSI Properties]) dialog box.

1. Click the [Start] button, and then click [Control Panel].

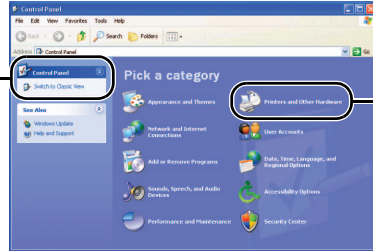


2. This operation depends on your operating system.

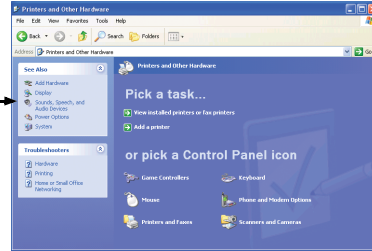
■ Windows XP

Switch the Control Panel to Classic View, or select [Printers and Other Hardware] in the working field.

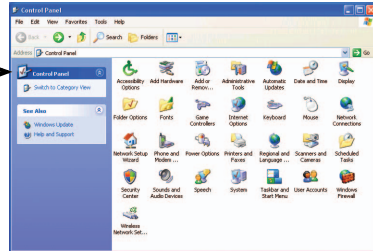
Control Panel (category view)



Printers and Other Hardware



Control Panel (classic view)



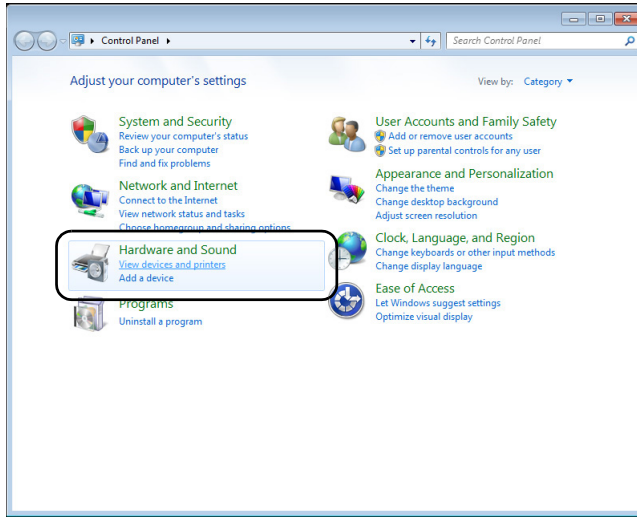
■ Windows Vista

Switch the Control Panel to Classic View, or select [Hardware and sound] in the working field.

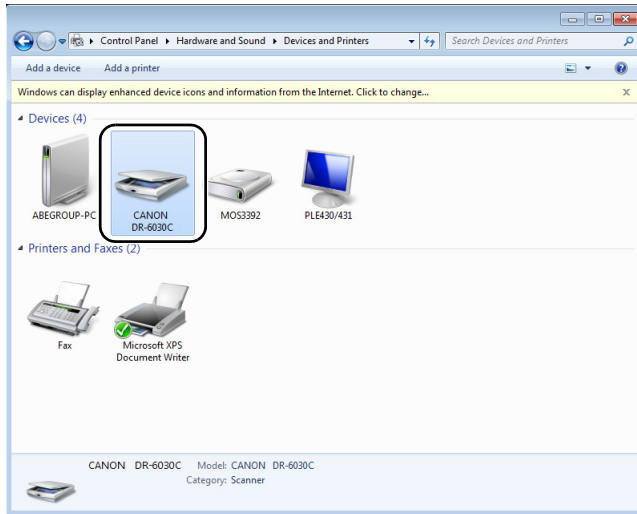
■ Windows 7

Click [View by] at the upper-right of the Control Panel, and then select [Large icons] or [Small icons] from the list, or select [Hardware and Sound] in the category view.

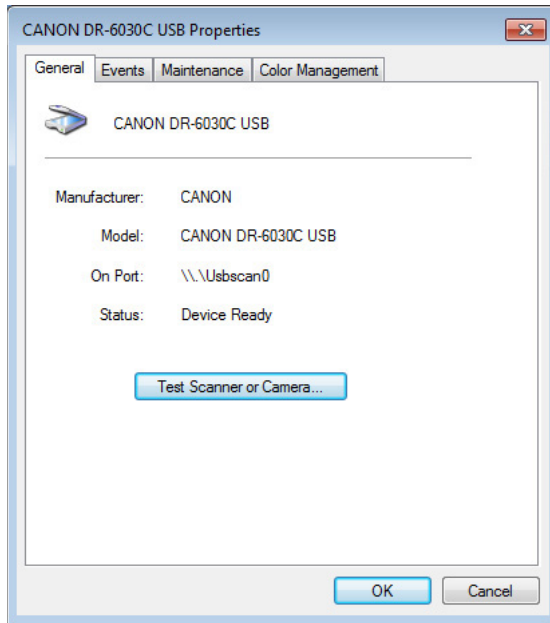
3. Click [View devices and printers]. (For Windows XP and Windows Vista, click [Scanners and Cameras].)



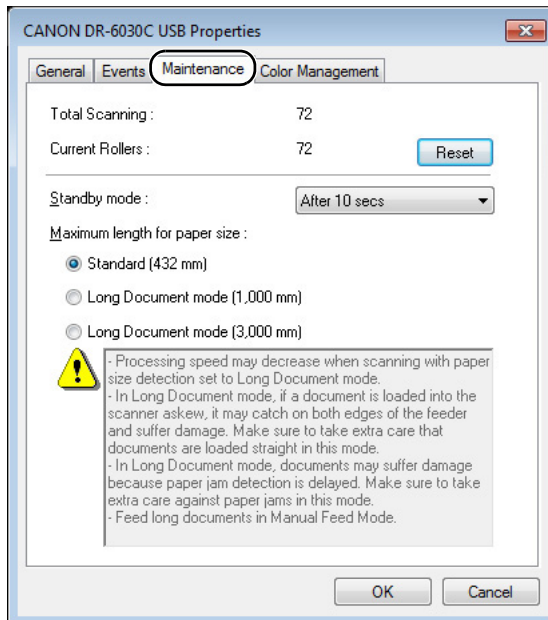
4. Select [CANON DR-6030C] (or [CANON DR-6030C SCSI]), and then click the right mouse button and select [Properties]. (For Windows XP and Windows Vista, select [CANON DR-6030C USB] (or [CANON DR-6030C SCSI]), and then click [Properties].)



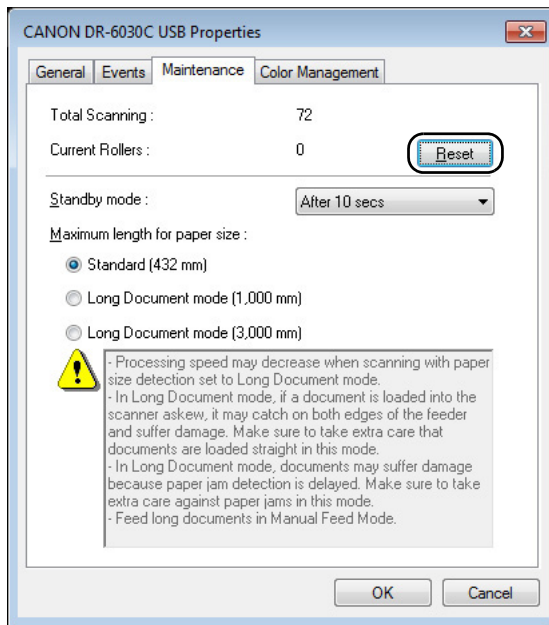
[CANON DR-6030C USB Properties] (or [CANON DR-6030C SCSI Properties]) is displayed.



2. Click the [Maintenance] tab.



- Click the [Reset] button, and then make sure that the counter for the roller being used is set to 0.



Removing and Attaching the Pickup Roller

When cleaning or replacing the pickup roller, feed rollers or retard roller, use the appropriate procedure to remove and replace the rollers.



CAUTION

- Turn ON the power to the scanner to remove or attach the pickup roller. Be careful when working on the scanner when the power is ON.
- Do not use excessive force when removing or attaching the rollers. Doing so may damage them.

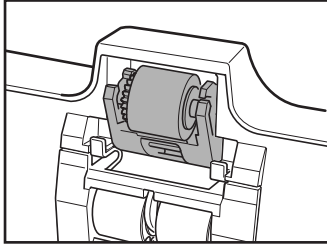
Removing the Pickup Roller

1. Turn ON the power.

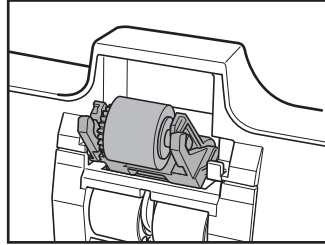


Note

Because the pickup roller locks when the power is OFF, it will not fall forward when the upper unit is opened.

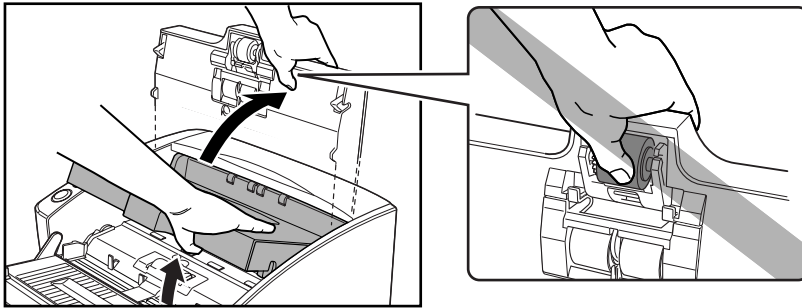


When the power is OFF



When the power is ON

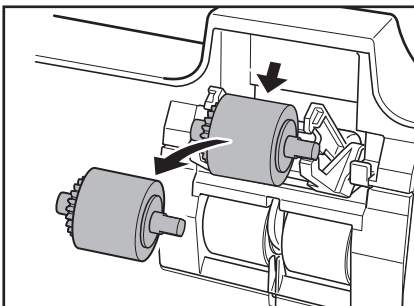
2. Hold the upper unit as shown in the diagram, and open it slowly until it stops.



CAUTION

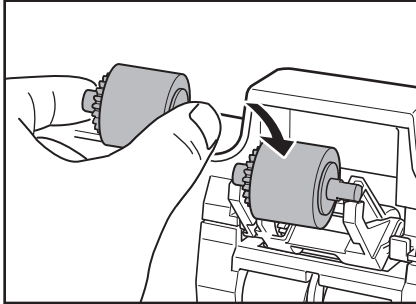
The pickup roller is located in the middle of the upper unit. Do not hold the protrusion on the upper unit when you open it. Doing so may deform the pickup roller or cause a feeding error.

3. Push up on the pickup roller to open the hook, and then remove the pickup roller.



Attaching the Pickup Roller

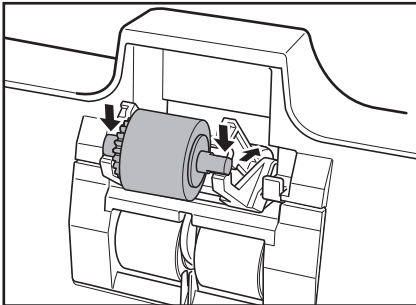
1. Hold the new pickup roller (or the one you removed) by both sides of its shaft, and place it on the hooks.



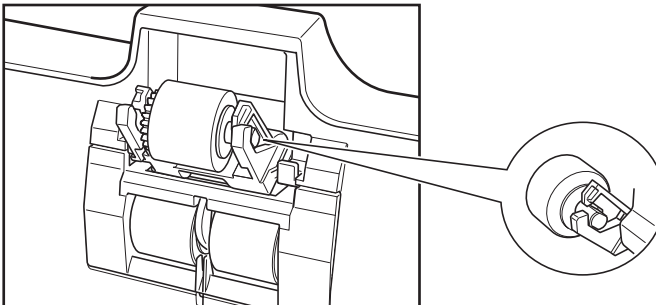
IMPORTANT

Take note of the orientation of the pickup roller. Putting it in backward and forcing it may damage the scanner.

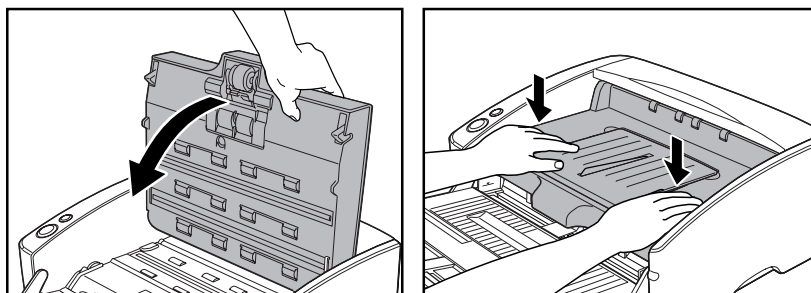
2. Place the shaft of the pickup roller on the hooks, and then press it into place.



3. Make sure that the shaft of the pickup roller is correctly inserted.



-
4. Close the upper unit slowly. Be sure that the upper unit is completely closed by pushing on both edges with both hands until you hear a click.



IMPORTANT

Do not force the upper unit to close. Doing so may damage the scanner.

Removing and Attaching the Feed Roller

Follow the procedure below to remove and attach the feed roller unit for cleaning or replacement.

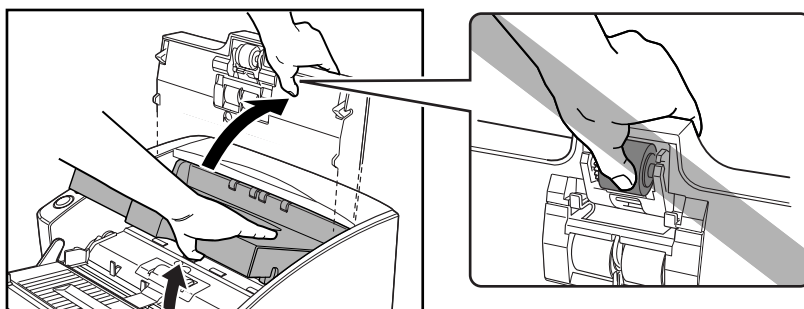


CAUTION

Do not use excessive force when removing or attaching the rollers. Doing so may damage them.

Removing the Feed Roller

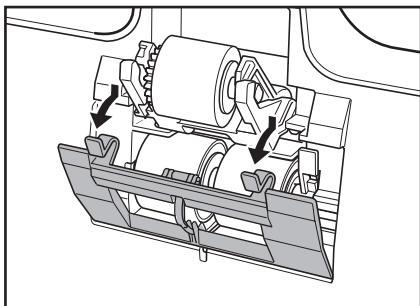
1. Hold the upper unit as shown in the diagram, and open it slowly until it stops.



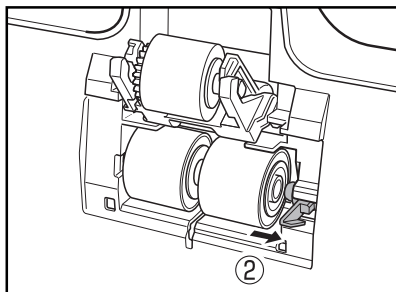
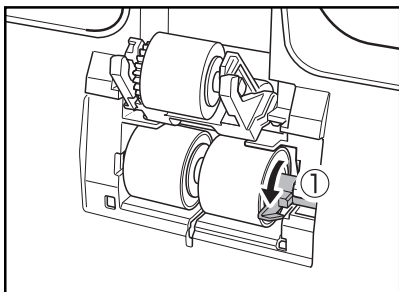
CAUTION

The pickup roller is located in the middle of the upper unit. Do not hold the protrusion on the upper unit when you lift it up. Doing so may deform the pickup roller or cause a feeding error.

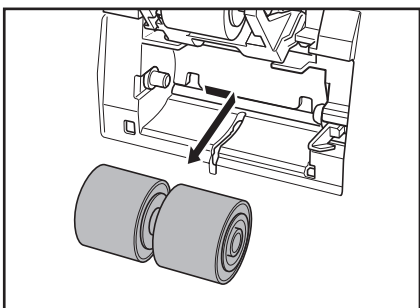
-
- 2.** Remove the roller cover.



- 3.** Move the roller lock lever down and forward (①), and then slide it to the right (②).

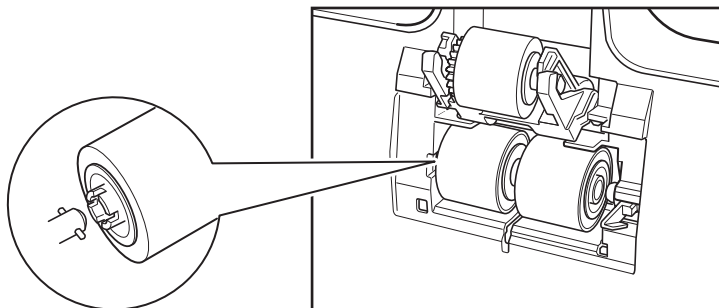


- 4.** Shift the feed roller to the right to remove it.

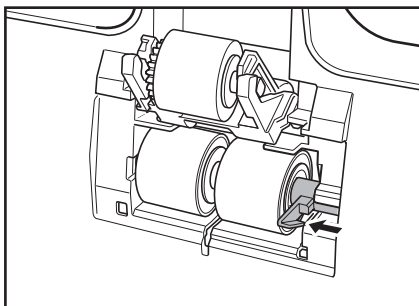


Attaching the Feed Roller

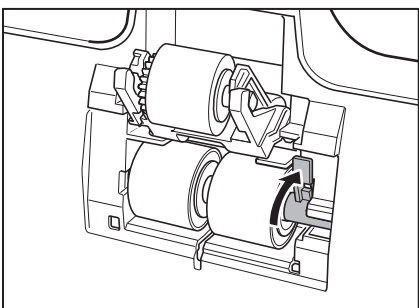
1. Position the feed roller so the notch in the roller is facing the scanner's shaft.



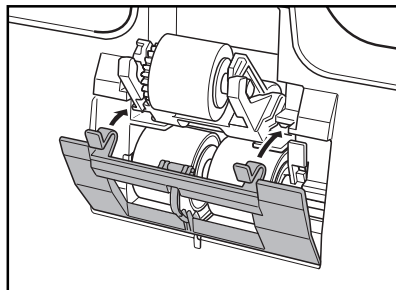
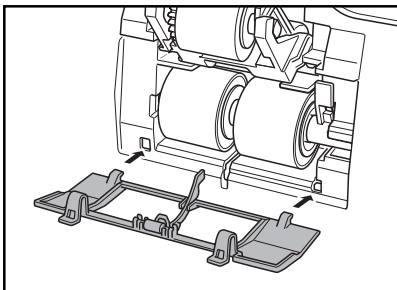
2. Slide the roller lock lever to the left, and insert it into the feed roller hole.



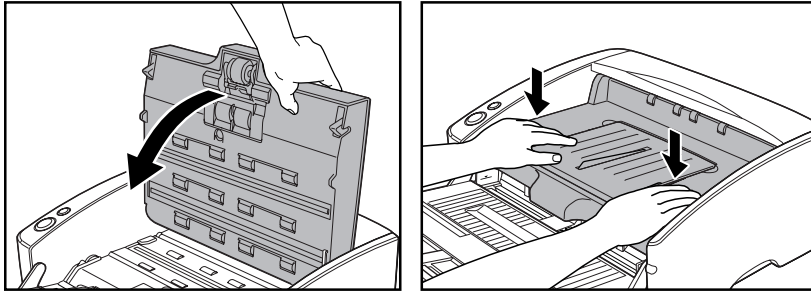
3. Lift up the roller lock lever and lock the feed roller.



4. Attach the roller cover.



5. Close the upper unit slowly. Be sure that the upper unit is completely closed by pushing on both edges with both hands until you hear a click.



IMPORTANT

Do not force the upper unit to close. Doing so may damage the scanner.

Removing and Attaching the Retard Roller

Follow the procedure below to remove and attach the retard roller for cleaning or replacement.

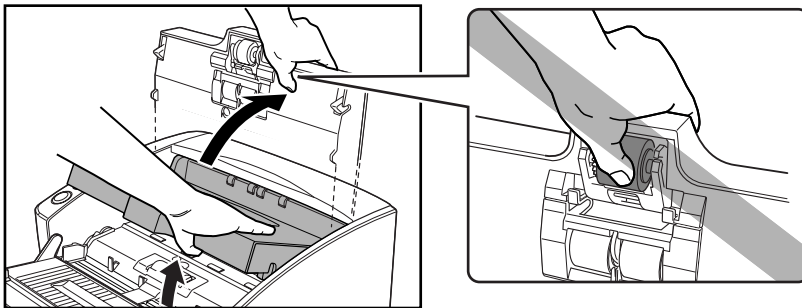


CAUTION

Do not use excessive force when removing or attaching the rollers. Doing so may damage them.

Removing the Retard Roller

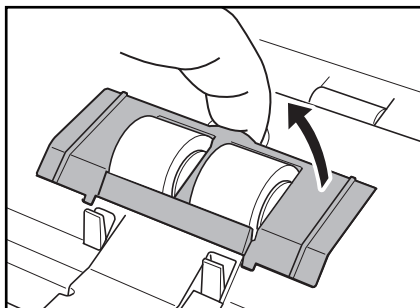
1. Hold the upper unit as shown in the diagram, and open it slowly until it stops.



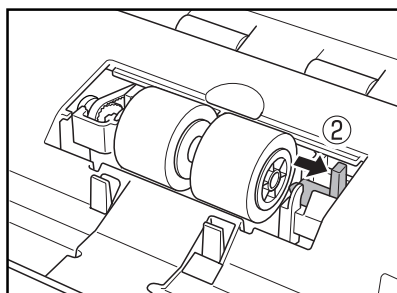
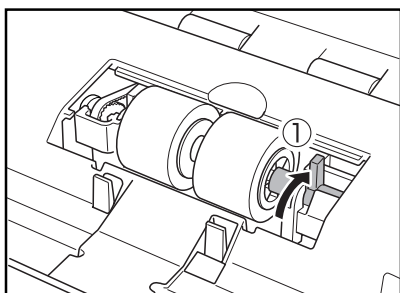
CAUTION

The pickup roller is located in the middle of the upper unit. Do not hold the protrusion on the upper unit when you open it. Doing so may deform the pickup roller or cause a feed error.

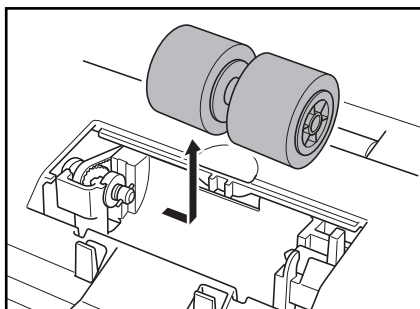
2. Remove the roller cover.



3. Move the roller lock lever upward (①), and then slide it to the right (②).

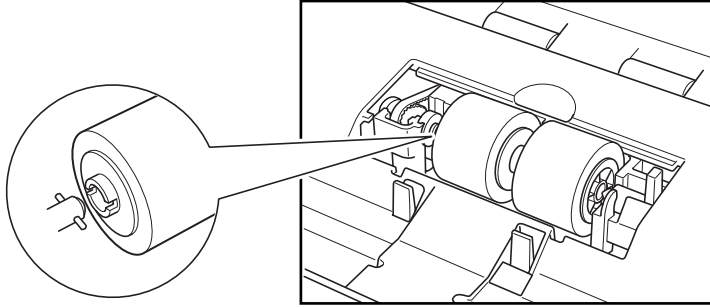


4. Shift the retard roller to the right to remove it.

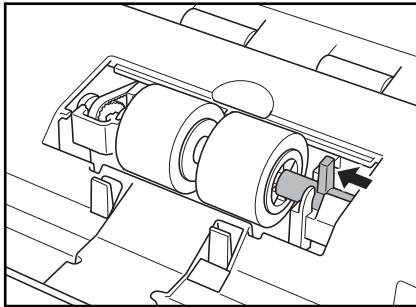


Attaching the Retard Roller

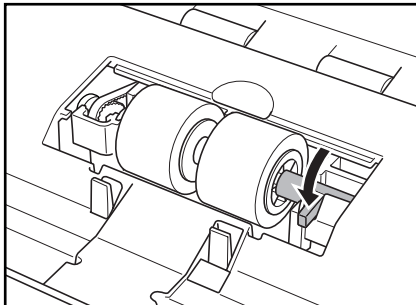
1. Position the retard roller so the notch in the roller is facing the scanner's shaft.



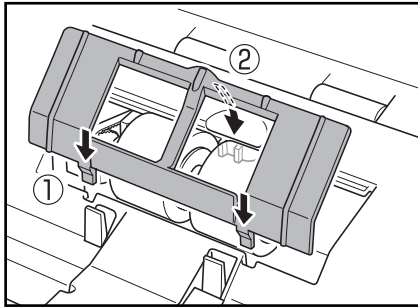
2. Slide the roller lock lever to the left, and insert it into the retard roller hole.



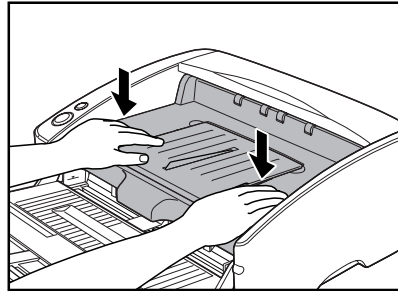
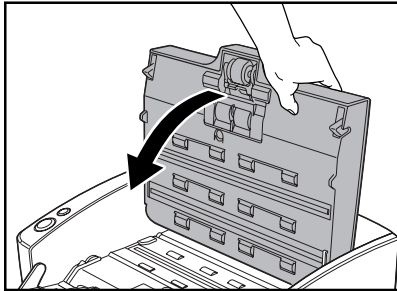
3. Push the roller lock lever towards the back of the scanner to lock the retard roller in place.



-
4. Attach the roller cover in order of ① → ②.



5. Close the upper unit slowly. Be sure that the upper unit is completely closed by pushing on both edges with both hands until you hear a click.



IMPORTANT

Do not force the upper unit to close. Doing so may damage the scanner.

3. Troubleshooting

This section describes the possible problems that might occur during use of the scanner and how to solve them.

The Scanner Does Not Turn ON	P. 123
The Scanner Is Not Recognized (Connecting via USB)	P. 123
The PC Does Not Recognize the Scanner (Connecting via SCSI)	P. 124
Scanning Is Not Performed.....	P. 126
Slow Scanning Speed (Connecting via USB).....	P. 126
Documents Do Not Feed Properly.....	P. 127
Saved Image Files Do Not Open.....	P. 128
Scanning Results Are Not as Expected.....	P. 129

If, after consulting this section, you still cannot resolve the problem, contact your local authorized Canon dealer or your service representative.

The Scanner Does Not Turn ON

Check the following if the scanner does not turn on:

- Is the power cord connected correctly?
- Is the power cord inserted into the power outlet?

For details on connecting the power cord, see “Step 4. Connecting the Scanner to Your PC,” in the Easy Start Guide.

The Scanner Is Not Recognized (Connecting via USB)

The following are possible causes of the PC failing to recognize the scanner. Check each possible cause.

Problem	The scanner is not correctly connected.
Solution	Make sure that the scanner and the computer are correctly connected with the USB cable. (See “Step 4. Connecting the Scanner to Your PC,” in the Easy Start Guide.)
Problem	The scanner power is switched OFF.
Solution	Make sure that the scanner is switched ON. If the scanner is OFF, turn the scanner ON. (See “Step 4. Connecting the Scanner to Your PC,” in the Easy Start Guide.)

Problem	The scanner does not support your USB interface.
Solution	This product is not guaranteed to operate with all types of USB interfaces. Contact your local authorized Canon dealer or service representative for more information. (See p. 15.)
Problem	The scanner does not support the USB cable.
Solution	Use the USB cable provided with the scanner.
Problem	The USB hub is not compatible with the scanner.
Solution	Remove the USB hub.

The PC Does Not Recognize the Scanner (Connecting via SCSI)

The following are possible causes of the PC failing to recognize the scanner. Check each possible cause.

Problem	The scanner is not connected correctly.
Solution	Make sure that the scanner and the computer are correctly connected. (See “Step 4. Connecting the Scanner to Your PC,” in the Easy Start Guide.)
Problem	The SCSI card is not correctly installed in the PC.
Solution	Refer to the manual for the SCSI card and the computer and install the SCSI card to the computer correctly. Alternatively, check the following things, depending on your operating system. Windows XP Click [Start] - [Control Panel] - [System] - [Hardware] - [Device Manager], and make sure that no “x” or “!” symbol appears next to the SCSI Controller entry. If either of these symbols appears, refer to the instruction manual for the SCSI card and reconfigure the SCSI card. Windows Vista Click [Start] - [Control Panel] - [System and Maintenance] - [System] - [Device Manager], and make sure that no “x” or “!” symbol appears next to the SCSI Controller entry. If either of these symbols appears, refer to the instruction manual for the SCSI card and reconfigure the SCSI card.

Windows 7

Click [Start] - [Control Panel] - [Hardware and Sound] - [Device Manager], and make sure that no “x” or “!” symbol appears next to the SCSI Controller entry. If either of these symbols appears, refer to the instruction manual for the SCSI card and reconfigure the SCSI card.

Problem	The scanner's SCSI ID is identical to the SCSI ID of another device.
Solution	Check the SCSI IDs of all SCSI devices connected to the system and set a unique SCSI ID for the scanner. (See “Step 4. Connecting the Scanner to Your PC,” in the Easy Start Guide.)
Problem	The terminator is not set correctly.
Solution	Shut down both the PC and the scanner, and then turn the scanner ON first, and then the PC. (See “Step 4. Connecting the Scanner to Your PC,” in the Easy Start Guide.)
Problem	There is a problem with another SCSI device that is connected in the daisy chain.
Solution	Do not use the daisy chain connection configuration. (See “Step 4. Connecting the Scanner to Your PC,” in the Easy Start Guide.)
Problem	The PC was turned ON before the scanner.
Solution	Shut down both the PC and the scanner, and then turn the scanner ON first, and then the PC. (See “Step 4. Connecting the Scanner to Your PC,” in the Easy Start Guide.)
Problem	The scanner is not ON.
Solution	Refer to “The Scanner Does Not Turn ON,” on p. 123 and check to see if the scanner is ON. If the scanner is not ON, shut down the PC, then turn the scanner ON first, and then the PC. (See “Step 4. Connecting the Scanner to Your PC,” in the Easy Start Guide.)
Problem	The SCSI card is not compatible with the scanner.
Solution	Use a recommended SCSI card. (See p. 15.)

Scanning Is Not Performed

Check the following if the scanner does not scan an image even though the scanning operation is performed:

- Has the application software been installed correctly? Has the application software been set up correctly?
- Is there a problem in the PC system?



IMPORTANT

- If documents are not scanned normally even if the scanner setup is OK, a probable cause is that the scanner driver or application software is not running correctly. Re-install the scanner driver or application software.
- When system errors result in the scanner not functioning at all, turn OFF the scanner and wait at least ten seconds before turning it ON again. If the error continues to occur, restart the computer.
- When scanning continues, make sure that the last document scanned was scanned correctly.

Slow Scanning Speed (Connecting via USB)

The following problems might cause the scanning speed to be slow.

Problem	Other applications are running in the background on your PC.
---------	--

Solution	Quit all other applications that are running.
----------	---

Problem	Resident applications, such as anti-virus software, are draining memory resources.
---------	--

Solution	Quit all resident applications.
----------	---------------------------------

Problem	Temporary files cannot be created in the TEMP folder, as there is not enough free space on the hard disk.
---------	---

Solution	Delete unwanted files on the hard disk to increase free space on the hard disk.
----------	---

Problem	The USB port you are using does not support Hi-Speed USB 2.0.
---------	---

Solution	Scanning speeds are lower if your computer's standard USB interface is not compatible with Hi-Speed USB 2.0. Use a computer that is equipped with USB that is compatible with Hi-Speed USB 2.0 as standard. (See "Installation Requirements," on p. 15.)
----------	--

Problem The USB cable does not support Hi-Speed USB 2.0.

Solution Use the USB cable provided with the scanner.

Problem The USB hub does not support Hi-Speed USB 2.0.

Solution Remove the USB hub.

Documents Do Not Feed Properly

The following are possible causes of a document failing to feed properly. Check each possible cause.

Problem Static electricity, etc., is causing the pages of the document to stick together, and they cannot be separated correctly by the scanner.

Solution Before you place your document, thoroughly fan the stack of papers. (See “Placing Documents,” on p. 27.)

Problem Attempting to scan a document of a size, thickness, or weight that the scanner cannot scan.

Solution Check the size, thickness, and weight of the document. For precautions concerning documents, see “Documents,” on p. 20.

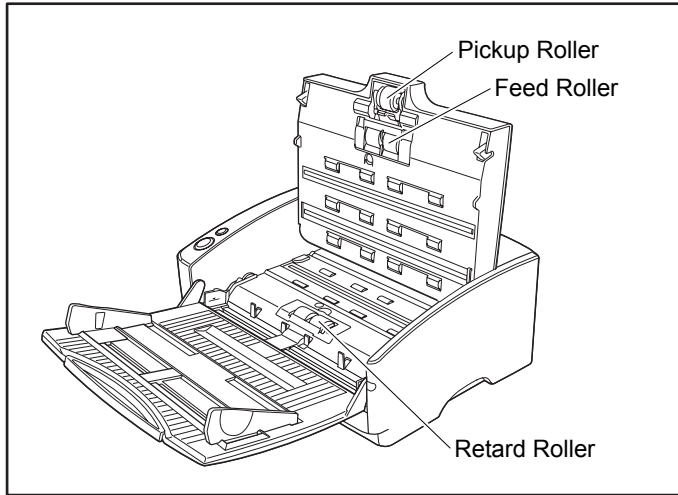
Problem The rollers inside the scanner are dirty or worn.

Solution Refer to p. 103 and clean the rollers. If the rollers are worn, then they need to be replaced. Contact your local authorized Canon dealer or service representative to purchase a roller replacement kit.



IMPORTANT

The retard roller and roller unit are consumable components. You need to replace the pickup roller, feed rollers and retard roller when cleaning does not appear to improve them. Contact your local authorized Canon dealer and buy a roller replacement kit and then replace the retard roller and the roller unit.



Saved Image Files Do Not Open

When image files saved by CapturePerfect 3.0 cannot be opened by other applications, the probable causes are as follows.

Symptoms A multi-page TIFF file saved in CapturePerfect 3.0 cannot be opened by other applications.

Problem The application you are using to open the TIFF file does not support multi-page TIFF files.

Solution Open the file with an application that supports multi-page TIFF files.

Symptoms A TIFF file saved in CapturePerfect 3.0 cannot be opened by other applications.

Problem If the TIFF file saved in CapturePerfect 3.0 has been compressed, the application you are using to open the TIFF file does not support the compression type that was used to save the file in CapturePerfect 3.0.

Solution Set the compression type for the image file to [None] and save the file again in CapturePerfect 3.0.

Scanning Results Are Not as Expected

If there is a problem with the scanning result (e.g., the scanned image is not clear, or the image is striped or dirty), the probable causes are incorrect ISIS/TWAIN driver settings or a problem with the scanning unit inside the scanner. Scanning results can also become skewed if the ISIS/TWAIN driver has not been installed correctly, or the application in use does not support ISIS/TWAIN driver functions.

Symptoms The scanned image is too dark (or faint).

Problem The [Brightness] setting is not set to an appropriate value.
Solution If the image is dark, set a higher [Brightness] setting, or if the image is faint, set a lower [Brightness] setting. (See “Brightness,” on p. 72.)

Symptoms Text or images on the rear side of your document appear in the scanned image.

Problem The [Brightness] setting is too low, or the paper is too thin.
Solution Set a higher [Brightness] setting. If the paper is too thin, make a copy of the documents and then scan the copy. (See “Brightness,” on p. 72.)

Symptoms Double-sided scanning is not possible.

Problem “Scanning Side” is set to [Simplex].
Solution Set “Scanning Side” to [Duplex].

Symptoms A black margin appears around the scanned document.

Problem A document smaller than the preset paper size has been scanned. Or, the loaded document has shifted out of position.
Solution Set [Page size] to [Auto-detection]. Or, set [Border Removal] to on. (See “Page Size,” on p. 68, and “[Border Removal] Check Box,” on p. 79.)

Symptoms The scanned image is skewed.

Problem The document has been fed at an angle. (skew)
Solution Use the document guide adapter to prevent document skew, and set [Deskew] to on. (See “[Deskew] Check Box,” on p. 70.)

Symptoms Lines, smudges, or dirt appear on the scanned image.

Problem The scanning glass or rollers inside the scanner are dirty.

Solution Clean the scanning glass and rollers. (See “Regular Maintenance,” on p. 102.)
If lines still appear on the image even after cleaning the scanning glass and rollers, the scanning glass inside the scanner may be scratched. Contact your local authorized Canon dealer or service representative.

Symptoms The scanned image is abnormal for certain documents.

Problem Functions such as [Auto-detection], [Deskew], or [Border Removal] were used when scanning documents containing text or photos up to their edges. (The scanner cannot accurately process the edges of documents.)

Solution Turn off functions such as [Auto-detection], [Deskew], or [Border Removal] when scanning documents containing text or photos up to their edges.

Symptoms The scanned image is abnormal in some applications.

Problem A function not supported by the application was used.

Solution Some applications do not support functions such as auto-detection of the paper size. Scanning documents with an application such as this will result in an abnormal scanned image. Try scanning with auto-detection of the paper size set to “off.”

Symptoms Black-and-white documents are saved in color.
Color documents are saved in black and white.

Problem The auto color detection setting is not set appropriately.

Solution Adjust [Color Sensitivity] and [Color Pixel Ratio] on the [Auto Color Detection Settings] dialog box. Decrease those to force the scanner to recognize the document as black-and-white; increase them to force the scanner to recognize it as color.

4. Uninstalling Software

If the ISIS/TWAIN driver, and “CapturePerfect 3.0” are not operating normally, follow the procedure below to uninstall them.

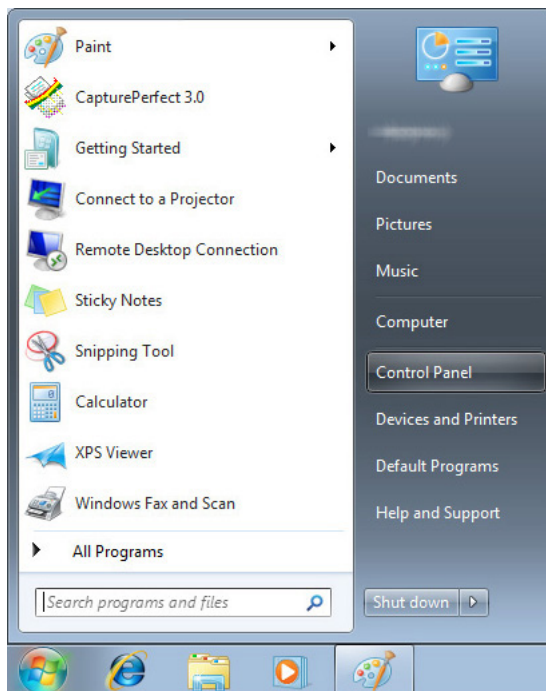
Then, re-install the software from the DR-6030C setup disc. (See “Step 3. Installing the Software,” in the Easy Start Guide.)



IMPORTANT

Be sure to log on as an administrator when using Windows XP or Windows Vista.

1. Click the [Start] button → click [Control Panel].



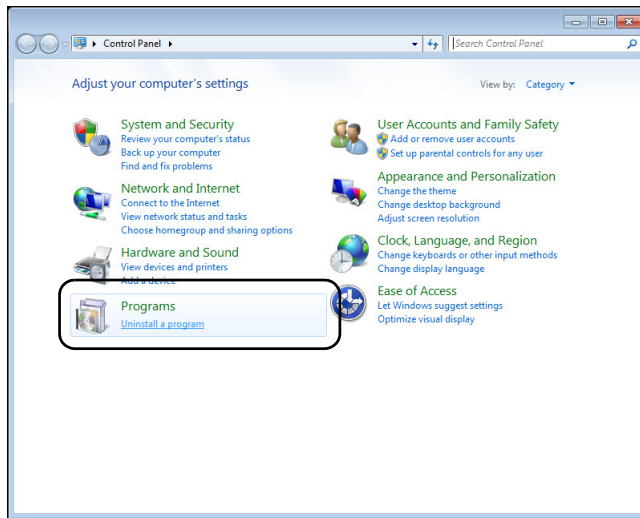
The [Control Panel] window appears.

2. Click [Uninstall a program].

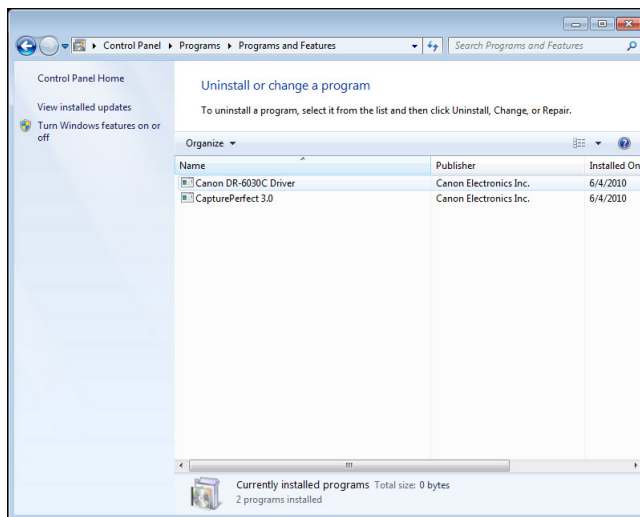


Note

If you are using Windows XP, double-click the [Add or Remove Programs]. For Windows Vista, click [Uninstall a program].



The [Uninstall or change a program] window appears.

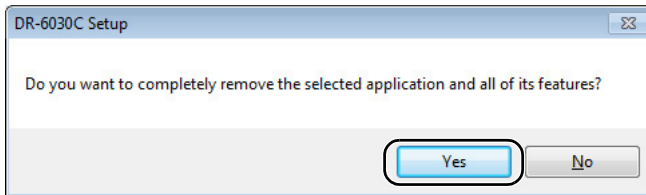


Note

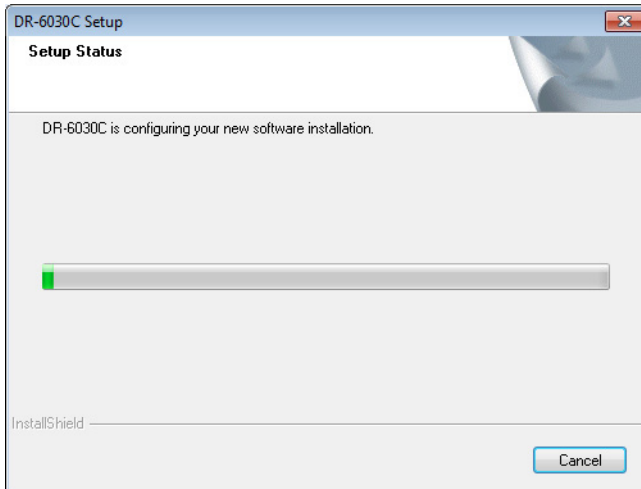
For Windows XP, the [Add or Remove Programs] dialog box appears.

- From the list in the dialog box, select the application you want to delete ([Canon DR-6030C Driver] or [CapturePerfect 3.0]), and then click [Uninstall] (For Windows XP, [Remove]).

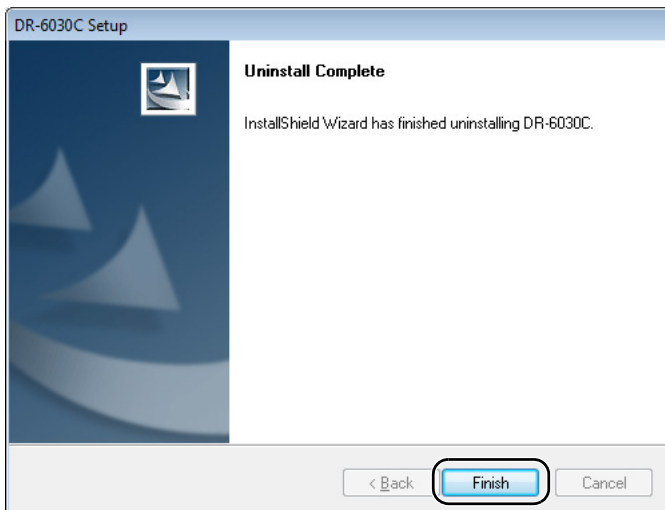
-
4. The file delete confirmation screen appears. Click the [Yes] button.



Uninstallation starts.



5. After uninstallation is complete, click the [Finish] button to exit the uninstaller.



5. Specifications

Specifications

Type	Desktop sheetfed scanner
Scanning Document Specifications	
Width:	2.08" to 11.8" (53 to 300 mm)
Length:	2.75" to 17" (70 to 432 mm) 2.75" to 118.1" (70 to 3000 mm) in Long document mode
Weight: Using the U-Turn Path (separated documents)	14 to 32 lb bond (0.0024" to 0.0059") 52 to 128 g/m ² (0.06 mm to 0.15 mm)
(nonseparated documents)	11 to 40 lb bond (0.0020" to 0.0079") 42 to 157 g/m ² (0.05 mm to 0.2 mm)
Weight: Using the Straight Path (separated documents)	14 to 32 lb bond (0.0024" to 0.0059") 52 to 128 g/m ² (0.06 mm to 0.15 mm)
(nonseparated documents)	11 to 144 lb bond (0.0020" to 0.026") 42 to 546 g/m ² (0.05 mm to 0.66 mm)
Business cards are supported. However, scanning embossed cards is not guaranteed.	
Size:	2.12" × 3.37" (53.9 mm × 85.5 mm)
Thickness:	0.03" ± 0.003" (0.76 ± 0.08 mm)
Document Feeding Method	Automatic/Manual
Scanning Method	Contact image sensor
Light Source	LED
Scanning Side	Simplex/Duplex
Scanning Modes	Auto Color Detection, Black and white, Advanced text enhancement, Advanced Text Enhancement II, Highspeed text enhancement, Error diffusion, 256-level grayscale, 24 bit color
Scanning Resolution (Primary Scan Lines × Secondary Scan Lines)	100 × 100 dpi, 150 × 150 dpi, 200 × 200 dpi 240 × 240 dpi, 300 × 300 dpi, 400 × 400 dpi 600 × 600 dpi
Scanning Speed (LTR/A4) 256-level Gray	Simplex 200 × 200 dpi 60 pages/minute 300 × 300 dpi 60 pages/minute 600 × 600 dpi 18 pages/minute Duplex 200 × 200 dpi 120 images/minute 300 × 300 dpi 120 images/minute 600 × 600 dpi 20 images/minute

24-bit Color	<table border="0"> <tr> <td>Simplex</td> <td></td> <td></td> </tr> <tr> <td></td> <td>200 × 200 dpi</td> <td>60 pages/minute</td> </tr> <tr> <td></td> <td>300 × 300 dpi</td> <td>60 pages/minute</td> </tr> <tr> <td></td> <td>600 × 600 dpi</td> <td>14 pages/minute</td> </tr> <tr> <td>Duplex</td> <td></td> <td></td> </tr> <tr> <td></td> <td>200 × 200 dpi</td> <td>120 pages/minute</td> </tr> <tr> <td></td> <td>300 × 300 dpi</td> <td>80 pages/minute</td> </tr> <tr> <td></td> <td>600 × 600 dpi</td> <td>23 pages/minute</td> </tr> </table>	Simplex				200 × 200 dpi	60 pages/minute		300 × 300 dpi	60 pages/minute		600 × 600 dpi	14 pages/minute	Duplex				200 × 200 dpi	120 pages/minute		300 × 300 dpi	80 pages/minute		600 × 600 dpi	23 pages/minute
Simplex																									
	200 × 200 dpi	60 pages/minute																							
	300 × 300 dpi	60 pages/minute																							
	600 × 600 dpi	14 pages/minute																							
Duplex																									
	200 × 200 dpi	120 pages/minute																							
	300 × 300 dpi	80 pages/minute																							
	600 × 600 dpi	23 pages/minute																							
Amount of paper that can be stacked in automatic feeder	10 mm stack, maximum (100 sheets of 20 lb bond (80 g/m ²))																								
Interface	SCSI-III / Hi-Speed USB 2.0																								
Other Functions	Double feed detection, skew detection																								
Dimensions (with trays closed)	15.6" × 12.3" × 7.5" (W × D × H) 398.4 mm × 312 mm × 191.4 mm (W × D × H)																								
Dimensions (with trays open)	15.6" × 26.3" × 7.6" (W × D × H) 398.4 mm × 668 mm × 194 mm (W × D × H)																								
Weight	Approximately 23 lb (10.2 kg)																								
Power Supply	AC 120 V (60 Hz) or AC 220-240 V (50 / 60 Hz)																								
Power Consumption																									
Under operation:	46.5 W																								
In sleep mode:	3.7 W																								
Noise	Not more than 61 dB																								
Operating Environment	Temperature: 10°C to 32.5°C (50°F to 90.5°F) Humidity: 20% to 80% RH																								

- The functions described above can be used if they are supported by the application software.
- Some functions may not be available, depending on the performance of your PC and on your software.

Due to our ongoing efforts to improve our products, the specifications described above are subject to change without notice.

Options

Bar code module (product code: 0434B003)

Additional software to allow the ISIS/TWAIN driver to recognize bar codes.

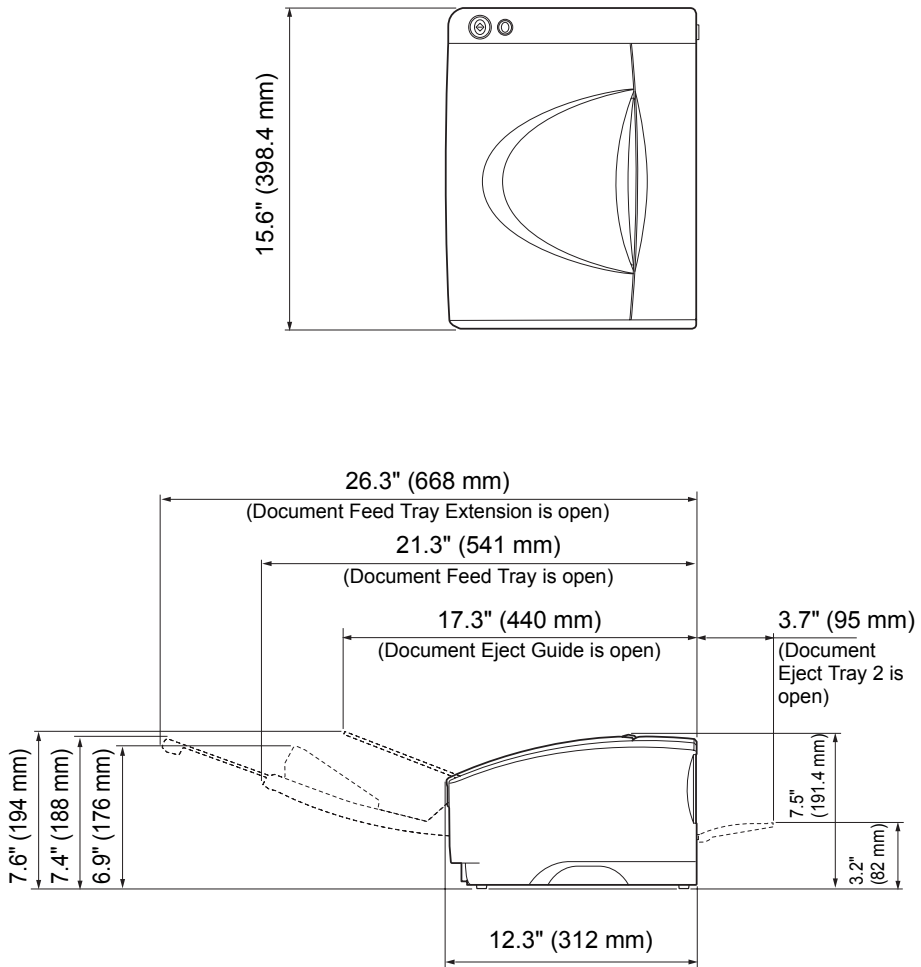
Replacement parts

Exchange roller kit (product code: 1922B001)

Kit to replace the feed rollers (pickup roller, feed roller, and retard roller).

- Refer to “Removing and Attaching the Pickup Roller,” on p. 113 for information about replacing the rollers.
- Contact your local authorized Canon dealer or service representative for detailed information about the options and replacement parts.

External Dimensions



Index

C		O	
CapturePerfect 3.0	32	Operating Systems	15
Operation guide	17	P	
Starting CapturePerfect 3.0 with		Paper Jam	51
the Start Button	40	Patchcode Sheets	47
D		Placing Documents	27
DIP Switch	14	Bypass Mode	30
Disposal	9	Page Separation Mode	27
Document Eject Guide	25	Power	7
Document Eject Tray 1	23	Practical Examples	92
Document Eject Tray 2	23, 24	R	
Document Eject Tray Extension	24	Regular Maintenance	102
Document Feed Tray	22	Feed Path	102
Document Stoppers	27	Rollers	103
Documents	20	Scanner	102
Double Feed Detection Function	54	Sensor Glass	103
DR-6030C Driver	17	Shading Boards	103
E		Roller Replacement	
Easy Start Guide	1, 17	Feed Roller	116
Event Function	40	Pickup Roller	114
F		Retard Roller	119
Features	10	Roller Replacement Cycle	108
Feed Selection Lever	27, 30	S	
H		Scanning Counter	109
Handling	8	Reset	109
I		SCSI cards	15
Installation Location	6	SCSI ID	14, 125
Installation Requirements	15	Setup Disc	17
ISIS/TWAIN Driver Properties		CapturePerfect 3.0	17
Dialog Box	64	DR-6030C Driver	17
[Basic] Tab Sheet	65	Skew Detection Function	55
[Brightness] Tab Sheet	74	Software Setup	63
[Image processing] Tab Sheet	78	Specifications	134
[Others] Tab Sheet	81	External Dimensions	137
L		Options	136
Load Limit Mark	29	Replacement Parts	136
Long Document Mode	55	Standby Mode Settings	61
Settings	56	Straight Path	24
M		T	
Moving the Scanner	7	Troubleshooting	123
Multistream Function	62	U	
N		Uninstalling	131
Names and Functions of Parts	13	USB interface	15
		U-Turn Path	23
		V	
		Ventilation Openings	14



CANON ELECTRONICS INC.

1248, SHIMOKAGEMORI, CHICHIBU-SHI, SAITAMA 369-1892, JAPAN

CANON U.S.A. INC.

ONE CANON PLAZA, LAKE SUCCESS, N.Y. 11042, U.S.A.

CANON CANADA INC.

6390 DIXIE ROAD, MISSISSAUGA, ONTARIO L5T 1P7, CANADA

CANON EUROPA N.V.

BOVENKERKERWEG 59-61, P.O.BOX 2262, 1180 EG AMSTELVEEN, THE NETHERLANDS

CANON LATIN AMERICA, INC.

703 WATERFORD WAY, SUITE 400 MIAMI, FLORIDA 33126, U.S.A.

CANON AUSTRALIA PTY. LTD.

1 THOMAS HOLT DRIVE, NORTH RYDE, SYDNEY. N.S.W. 2113. AUSTRALIA

CANON SINGAPORE PTE. LTD.

1 HARBOUR FRONT AVENUE #04-01, KEPPEL BAY TOWER, SINGAPORE 098632

CANON HONGKONG COMPANY LTD.

19TH FLOOR, THE METROPOLIS TOWER, 10 METROPOLIS DRIVE, HUNGHOM, KOWLOON, HONG KONG.