

ES6410 / ES7411

**OKI**  
PRINTING SOLUTIONS



User's Guide



EXECUTIVE  
SERIES

CREATED BY  
OKI PRINTING SOLUTIONS

## PREFACE

Every effort has been made to ensure that the information in this document is complete, accurate, and up-to-date. The manufacturer assumes no responsibility for the results of errors beyond its control. The manufacturer also cannot guarantee that changes in software and equipment made by other manufacturers and referred to in this guide will not affect the applicability of the information in it. Mention of software products manufactured by other companies does not necessarily constitute endorsement by the manufacturer.

While all reasonable efforts have been made to make this document as accurate and helpful as possible, we make no warranty of any kind, expressed or implied, as to the accuracy or completeness of the information contained herein.

The most up-to-date drivers and manuals are available from:

**<http://www.okiexecutiveseries.com>**

07106201 Iss. 1; Copyright © 2009. All rights reserved.

Oki is a registered trademark of Oki Electric Industry Company, Ltd.

Oki Printing Solutions is a registered trademark of Oki Data Corporation.

Energy Star is a trademark of the United States Environmental Protection Agency.

Microsoft, MS-DOS and Windows are registered trademarks of Microsoft Corporation.

Apple, Macintosh, Mac and Mac OS are registered trademarks of Apple Computer.

Other product names and brand names are registered trademarks or trademarks of their proprietors.



As an Energy Star Program Participant, the manufacturer has determined that this product meets the Energy Star guidelines for energy efficiency.



This product complies with the requirements of the Council Directives 2004/108/EC (EMC) and 2006/95/EC (LVD) and 1999/5/EC (R&TTE), as amended where applicable on the approximation of the laws of the member states relating to electromagnetic compatibility, low voltage and radio & telecommunications terminal equipment.

The following cables were used to evaluate this product to achieve EMC directive 2004/108/EC compliance and configurations other than this may affect that compliance.

CABLE TYPE	LENGTH (METRE)	CORE	SHIELD
Power	1.8	x	x
USB	5.0	x	✓
Parallel (ES7411 only)	1.8	x	✓
LAN	15.0	x	x

## EMERGENCY FIRST AID

Take care with toner powder:

**If swallowed, give small amounts of cold water and seek medical attention. DO NOT attempt to induce vomiting.**



**If inhaled, move the person to an open area for fresh air. Seek medical attention.**

**If it gets into the eyes, flush with large amounts of water for at least 15 minutes keeping eyelids open. Seek medical attention.**

**Spillages should be treated with cold water and soap to help reduce risk of staining skin or clothing.**

## MANUFACTURER

Oki Data Corporation,  
4-11-22 Shibaura, Minato-ku,  
Tokyo 108-8551,  
Japan

## IMPORTER TO THE EU/AUTHORISED REPRESENTATIVE

Oki Europe Limited (trading as OKI Printing Solutions)

Blays House  
Wick Road  
Egham  
Surrey, TW20 0HJ  
United Kingdom

For all sales, support and general enquiries contact your local distributor.

# CONTENTS

<b>Preface</b> . . . . .	<b>2</b>
<b>Emergency first aid</b> . . . . .	<b>3</b>
<b>Manufacturer</b> . . . . .	<b>3</b>
<b>Importer to the EU/authorised representative</b> . . . . .	<b>3</b>
<b>Contents</b> . . . . .	<b>4</b>
<b>Notes, cautions and warnings</b> . . . . .	<b>6</b>
<b>About this guide</b> . . . . .	<b>7</b>
Documentation suite . . . . .	7
On-line usage . . . . .	8
Printing pages . . . . .	8
<b>Introduction</b> . . . . .	<b>9</b>
Printer overview . . . . .	10
Front view . . . . .	10
Rear view . . . . .	12
Changing the display language . . . . .	13
Getting started . . . . .	13
Power saving mode . . . . .	13
Switching off . . . . .	13
<b>Paper recommendations</b> . . . . .	<b>14</b>
Cassette trays . . . . .	14
Multi purpose tray . . . . .	15
Face down stacker . . . . .	15
Face up stacker . . . . .	15
Duplex unit . . . . .	15
<b>Loading paper</b> . . . . .	<b>16</b>
Cassette trays . . . . .	16
Multi purpose tray . . . . .	19
<b>Operation</b> . . . . .	<b>20</b>
<b>Menu functions</b> . . . . .	<b>21</b>
Operator panel: . . . . .	21
How to change the settings - user . . . . .	22
How to change the settings - administrator . . . . .	22
Configuration menu . . . . .	23
Print information menu . . . . .	24
Shutdown menu . . . . .	24
Print secure job . . . . .	25
Menus . . . . .	26
Admin setup . . . . .	30
Calibration . . . . .	40
Boot menu . . . . .	41
<b>Maintenance</b> . . . . .	<b>47</b>
Replacing consumable items . . . . .	47
Toner cartridge replacement . . . . .	47
Image drum replacement . . . . .	50
Replacing the transfer belt unit . . . . .	53
Fuser replacement . . . . .	55
Cleaning the LED head . . . . .	57
<b>Installing upgrades</b> . . . . .	<b>58</b>
Memory upgrade . . . . .	58
SD card . . . . .	61
Additional paper tray(s) . . . . .	63

Setting the driver device options . . . . .	.64
Windows . . . . .	.64
Mac OS X . . . . .	.64
Storage cabinet. . . . .	.65
<b>Troubleshooting . . . . .</b>	<b>.66</b>
Major printer components and paper path . . . . .	.66
Paper sensor error codes . . . . .	.67
Clearing paper jams . . . . .	.68
<b>Specifications . . . . .</b>	<b>.74</b>
<b>Index. . . . .</b>	<b>.75</b>

## NOTES, CAUTIONS AND WARNINGS

---

### NOTE

*A note provides additional information to supplement the main text.*

---

### CAUTION!

**A caution provides additional information which, if ignored, may result in equipment malfunction or damage.**

### WARNING!

**A warning provides additional information which, if ignored, may result in a risk of personal injury.**

For the protection of your product, and in order to ensure that you benefit from its full functionality, this model has been designed to operate only with genuine original toner cartridges. Any other toner cartridge may not operate at all, even if it is described as "compatible", and if it does work, your product's performance and print quality may be degraded.

**Use of non-genuine products may invalidate your warranty.**

Specifications subject to change without notice. All trademarks acknowledged.

## ABOUT THIS GUIDE

---

*NOTE*

*Images used in this manual may include optional features that your product does not have installed.*

---

### DOCUMENTATION SUITE


This guide is part of a suite of online and printed documentation provided to help you become familiar with your product and to make the best use of its many powerful features. The documentation is summarised below for reference and is found on the manuals DVD unless indicated otherwise:

- > **Installation Safety booklet:** provides information for safe use of your product.  
This is a paper document that is packaged with the product and should be read before setting up your machine.
- > **Set-up guide:** describes how to unpack, connect and turn on your product.  
This is a paper document that is packaged with the product.
- > **User's Guide:** helps you become familiar with your product and make the best use of its many features. Also included are guidelines for troubleshooting and maintenance to ensure that it performs at its best. Additionally, information is provided for adding optional accessories as your printing needs evolve.
- > **Network Guide:** helps you become familiar with the functionality of the built in network interface card.
- > **Printing Guide:** helps you become familiar with the many features of the driver software supplied with your product.
- > **Barcode Printing Guide:** helps you become familiar with your product's built in barcode printing feature.
- > **Security Guide:** helps you become familiar with your product's security features.
- > **Installation Guides:** accompany consumable items and optional accessories to describe how to install them.  
These are paper documents that are packaged with the consumables and optional accessories.
- > **On-line Help:** on-line information accessible from the printer driver and utility software.

## ON-LINE USAGE

This guide is intended to be read on screen using Adobe Reader. Use the navigation and viewing tools provided in Adobe Reader.

There are many cross-references within this book, each highlighted as [blue text](#). When you click on a cross-reference the display will instantly jump to the part of the manual containing the referenced material.

By using the  button in Adobe Reader, you can navigate directly back to where you were before.

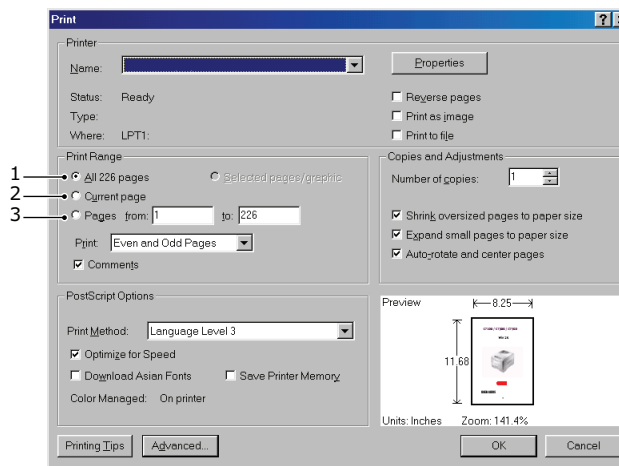
You can access specific information in two ways:

- > In the list of bookmarks down the left hand side of your screen, click on the topic of interest to jump to the required topic. (If the bookmarks are not available, use the ["Contents" on page 4.](#))
- > In the list of bookmarks, click on Index to jump to the Index. (If the bookmarks are not available, use the ["Contents" on page 4.](#)) Find the term of interest in the alphabetically arranged index and click on the associated page number to jump to the page containing the term.

## PRINTING PAGES

The whole manual, individual pages, or sections may be printed. The procedure is:

1. From the toolbar, select **File > Print** (or press the **Ctrl + P** keys).
2. Choose which pages you wish to print:
  - (a) **All pages**, (1), for the entire manual.
  - (b) **Current page**, (2), for the page at which you are looking.



- (c) **Pages from and to**, (3), for the range of pages you specify by entering their page numbers.
- (d) Click **OK**.



## INTRODUCTION

Congratulations on choosing this colour printer. Your new printer is designed with advanced features to give you clear, vibrant colour prints and crisp black and white pages at high speed on a range of print media for the office.

Your printer includes these features:

- > ProQ2400, multi-level technology produces subtler tones and smoother gradations of colour to lend photographic quality to your documents.
- > 600 x 600, 1200 x 600 dpi (dots per inch) and ProQ2400 print resolution for high quality image production showing the finest detail.
- > Internet Protocol version 6 (IPv6).
- > Single Pass colour Digital LED technology for high speed processing of your printed pages.
- > PostScript 3, PCL 5C, PCL 6 and Epson FX emulations for industry standard operation and wide compatibility with most computer software.
- > 10Base-T and 100Base-TX network connection lets you share this valuable resource among users on your office network.
- > Photo Enhance mode to improve printouts of photographic images (Windows PCL driver only).
- > Template Manager utility for Windows enables the design and print of business cards, banners, labels with ease.
- > Automatic two-sided (duplex) printing for economical use of paper and compact printing of larger documents.

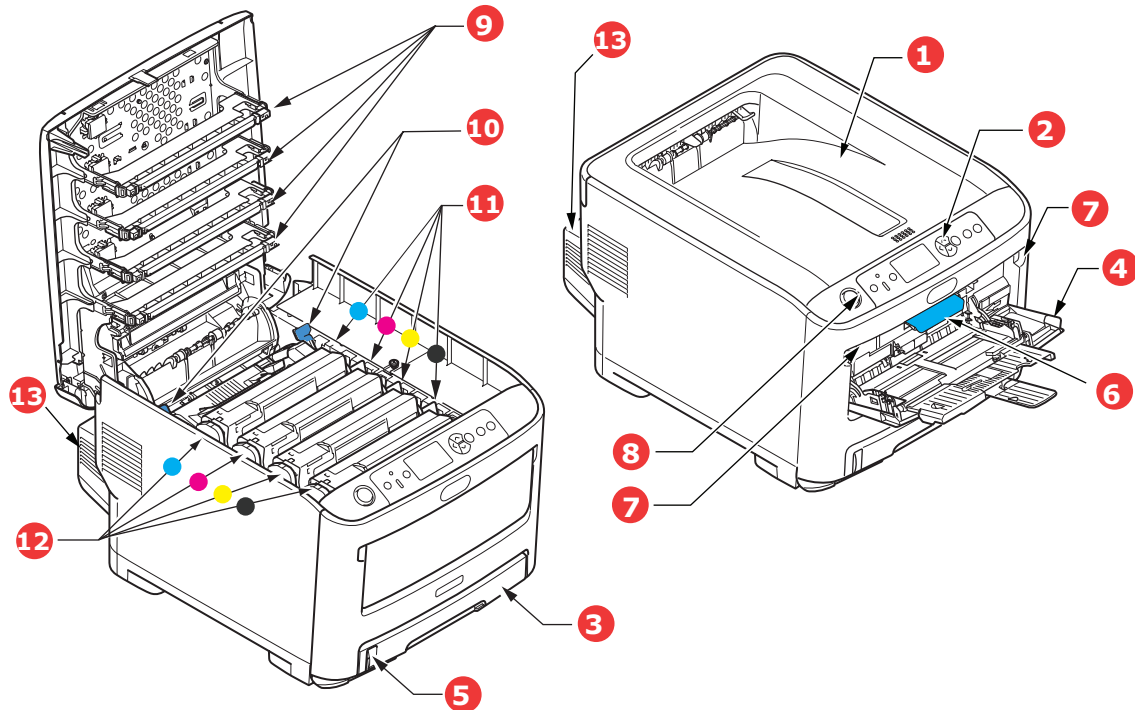
Additionally, the following optional features are also available:

- > Additional paper tray for loading a further 530 sheets to minimise operator intervention, or different paper stocks for letterhead stationery, alternative paper sizes or other print media.
- > Additional memory allows printing of more complex pages. For example, high resolution banner printing.
- > SD card for storage of overlays, macros and downloadable fonts, and automatic collation of multiple copies of multipage documents and the download of ICC Profiles.
- > Storage Cabinet.

# PRINTER OVERVIEW

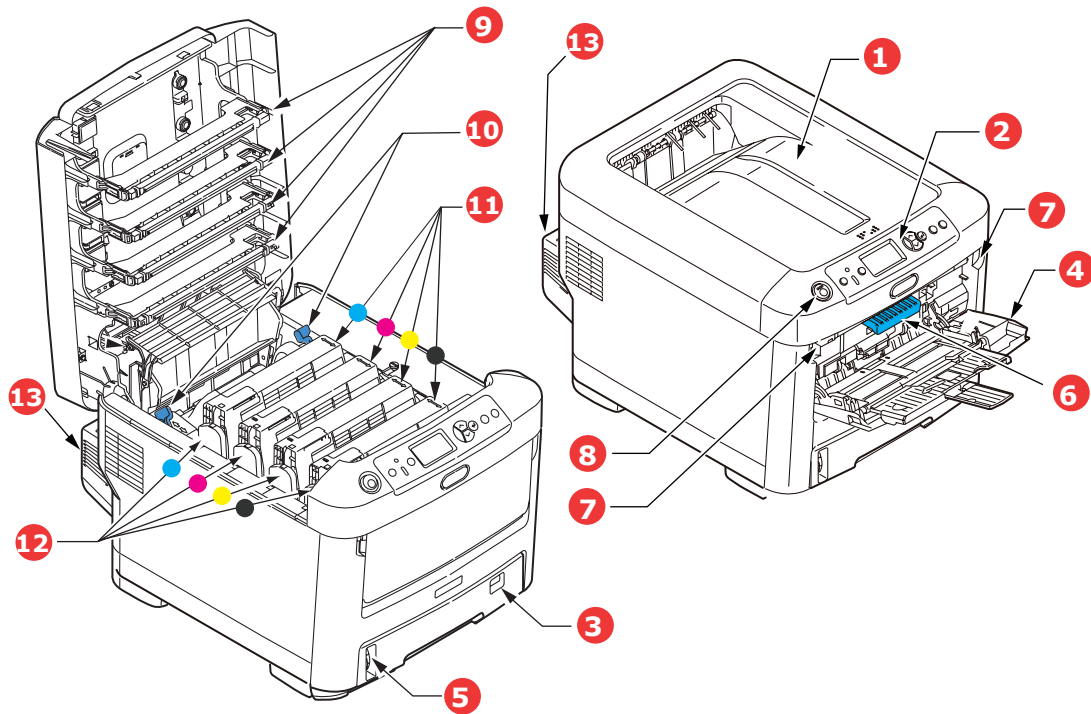
## FRONT VIEW

### ES6410



1. Output stacker, face down.  
Standard printed copy delivery point. Holds up to 250 sheets at 80g/m<sup>2</sup>.
  2. Operator panel.  
Menu driven operator controls and LCD panel<sup>a</sup>.
  3. Paper tray.  
Standard paper tray. Holds up to 300 sheets of 80g/m<sup>2</sup> paper.
  4. Multi purpose tray.  
Used for feeding heavier paper stocks, envelopes and other special media. Also for manual feeding of single sheets when required.
  5. Paper level indicator.
  6. Front cover release lever.
  7. Multi-purpose tray release recess.
  8. Top cover release button.
  9. LED heads.
  10. Fuser release levers.
  11. Toner cartridges (C,M,Y,K).
  12. ID units (C,M,Y,K).
  13. Duplex unit.
- a. The display language can be changed to show different languages. (see ["Changing the display language"](#) on page 13).

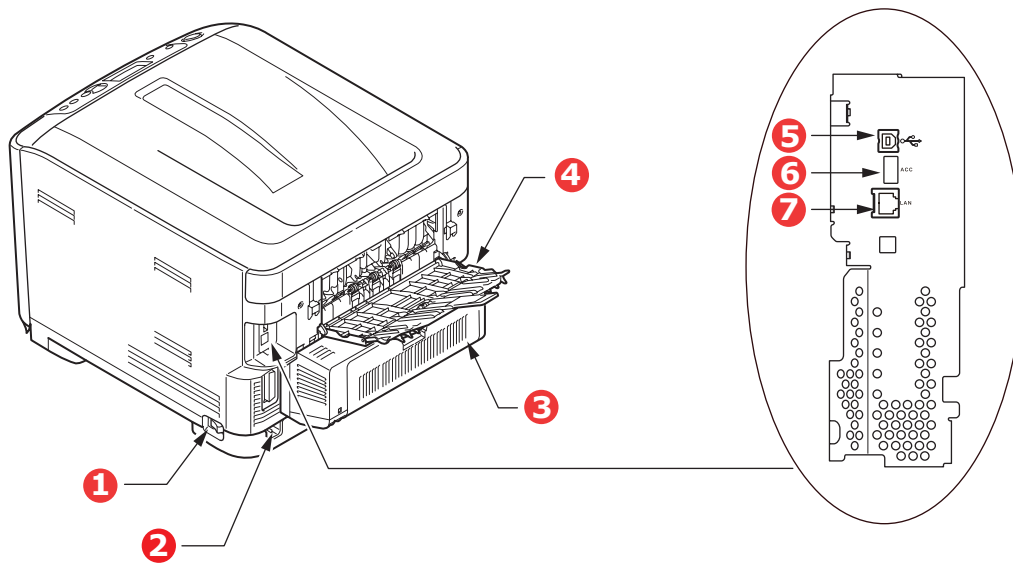
## ES7411



1. Output stacker, face down.  
Standard printed copy delivery point. Holds up to 350 sheets at 80g/m<sup>2</sup>.
2. Operator panel.  
Menu driven operator controls and LCD panel<sup>2</sup>.
3. Paper tray.  
Standard paper tray. Holds up to 530 sheets of 80g/m<sup>2</sup> paper.
4. Multi purpose tray.  
Used for feeding heavier paper stocks, envelopes and other special media. Also for manual feeding of single sheets when required.
  - a. The display language can be changed to show different languages. (see ["Changing the display language"](#) on page 13).
5. Paper level indicator.
6. Front cover release lever.
7. Multi-purpose tray release recess.
8. Top cover release button.
9. LED heads.
10. Fuser release levers.
11. Toner cartridges (C,M,Y,K).
12. ID units (C,M,Y,K).
13. Duplex unit.

## REAR VIEW

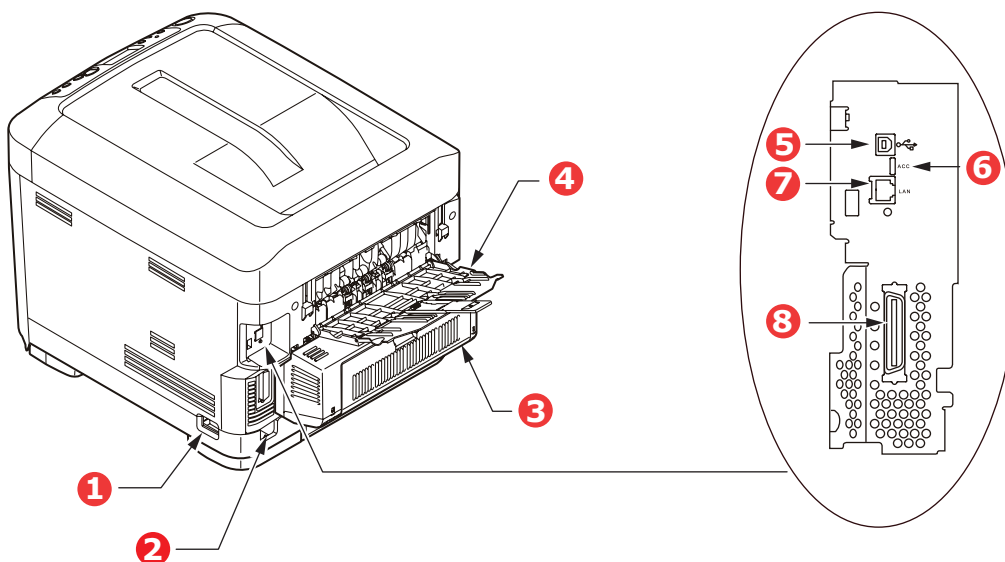
### ES6410



- 1. ON/OFF switch.
- 2. AC power socket.
- 3. Duplex unit.
- 4. Rear, face up stacker.
- 5. USB interface.
- 6. ACC interface (host USB).
- 7. Network interface.<sup>a</sup>

a. The Network Interface may have a protective "plug" which must be removed before connection can be made.

### ES7411



- 1. ON/OFF switch.
- 2. AC power socket.
- 3. Duplex unit.
- 4. Rear, face up stacker.
- 5. USB interface.
- 6. ACC interface (host USB).
- 7. Network interface.<sup>a</sup>
- 8. Parallel interface.

a. The Network Interface may have a protective "plug" which must be removed before connection can be made.

When the rear paper stacker is folded down paper exits the printer through the rear of the printer and is stacked here face up. This is mainly used for heavy print media. When used in conjunction with the multi purpose feed tray, the paper path through the printer is essentially straight. This avoids bending the paper around curves in the paper path and enables feeding of up to 250g/m<sup>2</sup> media.

## CHANGING THE DISPLAY LANGUAGE

The default language used by your machine for display messages is English. If required, this can be changed using the Panel Language Set-up utility.

## GETTING STARTED

### POWER SAVING MODE

If you do not use the machine for a while, it will enter the power saving mode to control the power consumption of the device. To cancel or initiate power saving mode, press the **Power Save / Wake Up** button on the control panel.

---

*NOTE*

*If your machine is connected locally (via USB or parallel\*), when it transitions to Sleep mode its status is viewed as off-line. To use the printer in this state, you must press the **Power Save / Wake Up** button to exit sleep mode.*

*\*ES7411 only.*

---

## SWITCHING OFF

### CAUTION!

**If you have an SD card fitted, always follow the correct shutdown procedure to ensure that no data is lost.**

1. Press the **Enter** button on the control panel to enter the menu.
2. Press the **Menu down** button and scroll to the Shutdown menu.
3. Press the **Enter** button.
4. Press the **Enter** button to continue.
5. Press the **Enter** button to execute.
6. At the prompt, turn the power switch OFF.

## PAPER RECOMMENDATIONS

Your printer will handle a variety of print media, including a range of paper weights and sizes, labels and envelopes. This section provides general advice on choice of media, and explains how to use each type.

The best performance will be obtained when using standard 75~90g/m<sup>2</sup> paper designed for use in copiers and laser printers. Suitable types are:

- > M-Real Data Copy Everyday 80g/m<sup>2</sup>
- > Color Copy by Mondi 90g/m<sup>2</sup>

Use of heavily embossed or very rough textured paper is not recommended.

**Pre-printed stationery** can be used, but the ink must not offset when exposed to the high fuser temperatures used in the printing process.

### Envelopes

#### CAUTION!

**Envelopes should be free from twist, curl or other deformations. They should also be of the rectangular flap type, with glue that remains intact when subjected to hot roll pressure fusing used in this type of printer. Window envelopes are not suitable.**

### Labels

#### CAUTION!

**Labels should also be of the type recommended for use in copiers and laser printers, in which the base carrier page is entirely covered by labels. Other types of label stock may damage the printer due to the labels peeling off during the printing process.**

Recommended type is Avery White Label types 7162, 7664, 7666 (A4), or 5161 (Letter).

## CASSETTE TRAYS

SIZE	DIMENSIONS	WEIGHT (G/M <sup>2</sup> )	
A6 <sup>a</sup>	105 x 148mm	Light	64 - 74g/m <sup>2</sup>
A5	148 x 210mm	Medium Light	75 - 82g/m <sup>2</sup>
B5	182 x 257mm	Medium	83 - 104g/m <sup>2</sup>
Executive	184.2 x 266.7mm	Heavy	105 - 120g/m <sup>2</sup>
A4	210 x 297mm	Ultra heavy1	121 - 188g/m <sup>2</sup>
Letter	215.9 x 279.4mm	Ultra heavy2	189 - 220g/m <sup>2</sup>
Legal 13in.	216 x 330mm	Ultra heavy3	221 - 250g/m <sup>2</sup>
Legal 13.5in.	216 x 343mm	<b>ES6410:</b> Tray 1:	64 - 120g/m <sup>2</sup>
Legal 14in.	216 x 356mm	Tray 2/3:	64 - 220g/m <sup>2</sup>
		MP Tray:	64 - 250g/m <sup>2</sup>
		<b>ES7411:</b> Tray 1/2/3:	64 - 220g/m <sup>2</sup>
		MP Tray:	64 - 250g/m <sup>2</sup>

- a. **ES7411:** A6 printing from the MP Tray only.

If you have identical paper stock loaded in another tray (2nd or 3rd tray if you have one, or multi purpose tray) you can set the printer to automatically switch to the other tray when the current tray runs out of paper. When printing from Windows applications, this function

is enabled in the driver settings. When printing from other systems, this function is enabled in the Print Menu. (See ["Menu functions" on page 21.](#))

## **MULTI PURPOSE TRAY**

The multi purpose tray can handle the same sizes as the cassette trays but in weights up to 250g/m<sup>2</sup>. For very heavy paper stock use the face up (rear) paper stacker. This ensures that the paper path through the printer is almost straight.

The multi purpose tray can feed paper widths from 76mm to 215.9mm and lengths from 127.0mm to 1320mm (banner printing).

For paper lengths exceeding 356mm (Legal 14in.) use paper stock between 90g/m<sup>2</sup> and 128g/m<sup>2</sup> and the face up (rear) paper stacker.

Use the multi purpose tray for printing on envelopes. Up to 10 envelopes can be loaded at one time, subject to a maximum stacking depth of 10mm.

## **FACE DOWN STACKER**

**ES6410:** The face down stacker on the top of the printer can hold up to 250 sheets of 80g/m<sup>2</sup> standard paper, and can handle paper stocks up to 188g/m<sup>2</sup>.

**ES7411:** The face down stacker on the top of the printer can hold up to 350 sheets of 80g/m<sup>2</sup> standard paper, and can handle paper stocks up to 188g/m<sup>2</sup>.

Pages printed in reading order (page 1 first) will be sorted in reading order (last page on top, facing down).

## **FACE UP STACKER**

The face up stacker at the rear of the printer should be opened and the tray extension pulled out when required for use. In this condition paper will exit via this path, regardless of driver settings.

The face up stacker can hold up to 100 sheets of 80g/m<sup>2</sup> standard paper, and can handle stocks up to 250g/m<sup>2</sup>.

Always use this stacker and the multi purpose feeder for paper stocks heavier than 188g/m<sup>2</sup>.

## **DUPLEX UNIT**

The duplex unit provides automatic two-sided printing on the same range of paper sizes as tray 2 (i.e. all cassette sizes except A6), using paper stocks from:

> **ES6410:** 64 - 120g/m<sup>2</sup>

> **ES7411:** 64 - 220g/m<sup>2</sup>

## LOADING PAPER

---

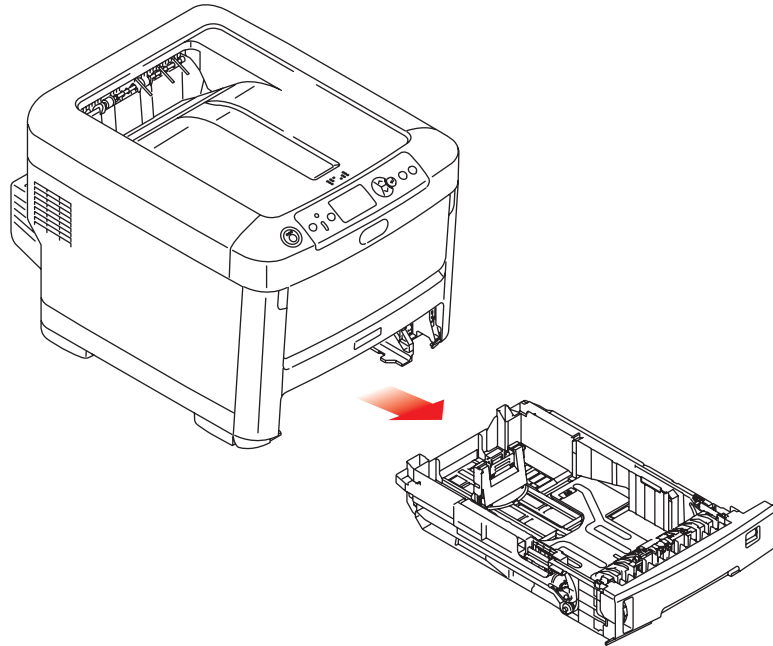
### NOTE

For illustrative purposes, the ES7411 printer has been shown. If you have an ES6410 printer, the principle is the same with any exceptions noted.

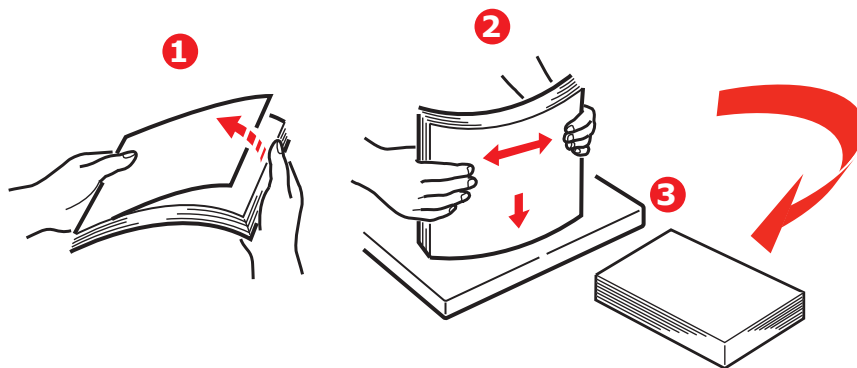
---

### CASSETTE TRAYS

1. Remove the paper tray from the printer.

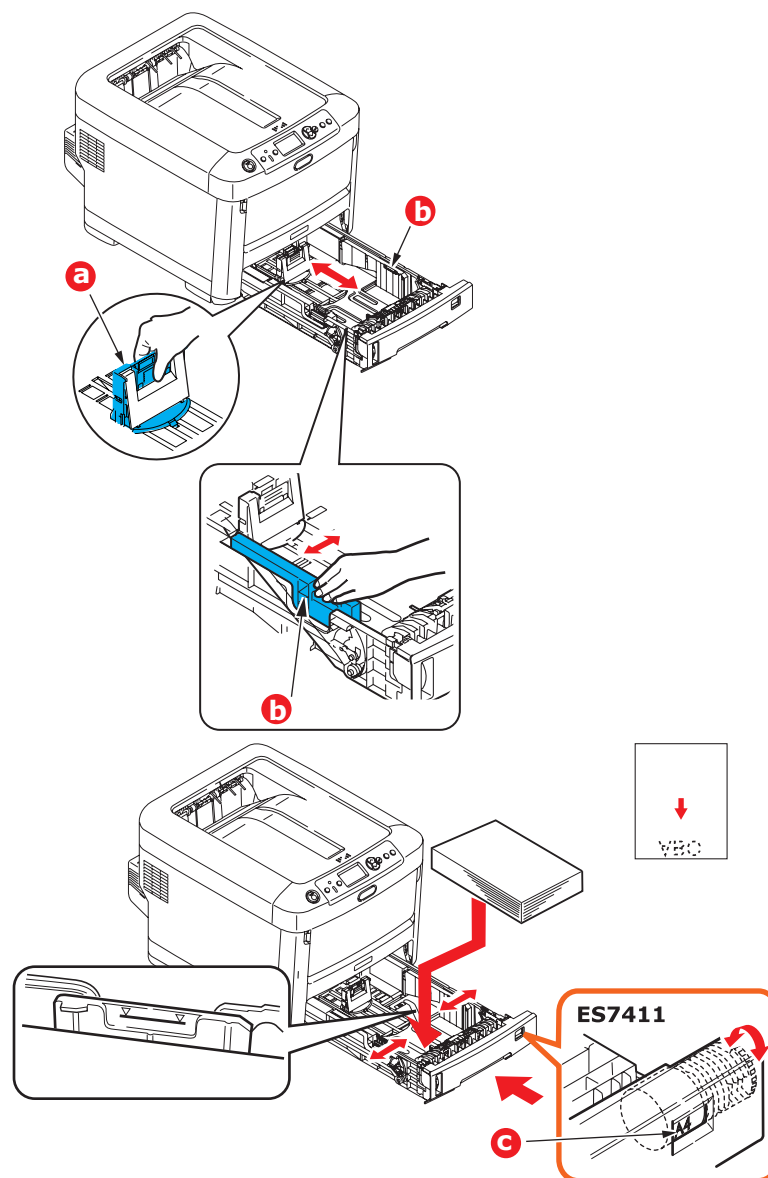


2. Fan the paper to be loaded at the edges (1) and in the middle (2) to ensure that all sheets are properly separated, then tap the edges of the stack on a flat surface to make it flush again (3).





3. Load paper (letter headed paper face down and top edge towards the front of the printer), as shown.



- > Adjust the rear stopper (a) and paper guides (b) to the size of paper being used.

### CAUTION!

**ES7411 ONLY: IMPORTANT: Set paper size dial (c) to the size of paper being used (A4 in the above example).**

To prevent paper jams:

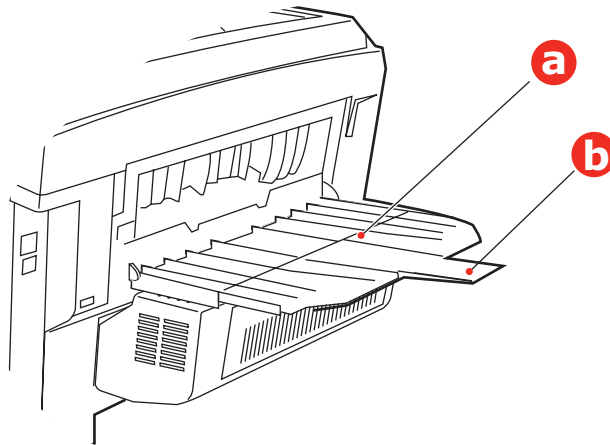
- > Do not leave space between the paper and the guides and rear stopper.
- > Do not overfill the paper tray. Capacity depends on the type of paper stock.
- > Do not load damaged paper.
- > Do not load paper of different sizes or types at the same time.
- > Close the paper tray gently.

- > Do not pull the paper tray out during printing (except as described below for the 2nd tray).

---

**NOTE**

- > If you have two trays and you are printing from the 1st (upper) tray, you can pull out the 2nd (lower) tray during printing to reload it. However, if you are printing from the 2nd (lower) tray, do not pull out the 1st (upper) tray. This will cause a paper jam.
  - > For face down printing, make sure the face up (rear) stacker (a) is closed (the paper exits from the top of the printer). Stacking capacity is approximately 250 sheets for the ES6410 and 350 sheets for the ES7411, depending on paper weight.
  - > For face up printing, make sure the face up (rear) stacker (a) is open and the paper support (b) is extended. Paper is stacked in reverse order and tray capacity is approximately 100 sheets, depending on paper weight.
  - > Always use the face up (rear) stacker for heavy paper (card stock, etc.).
- 

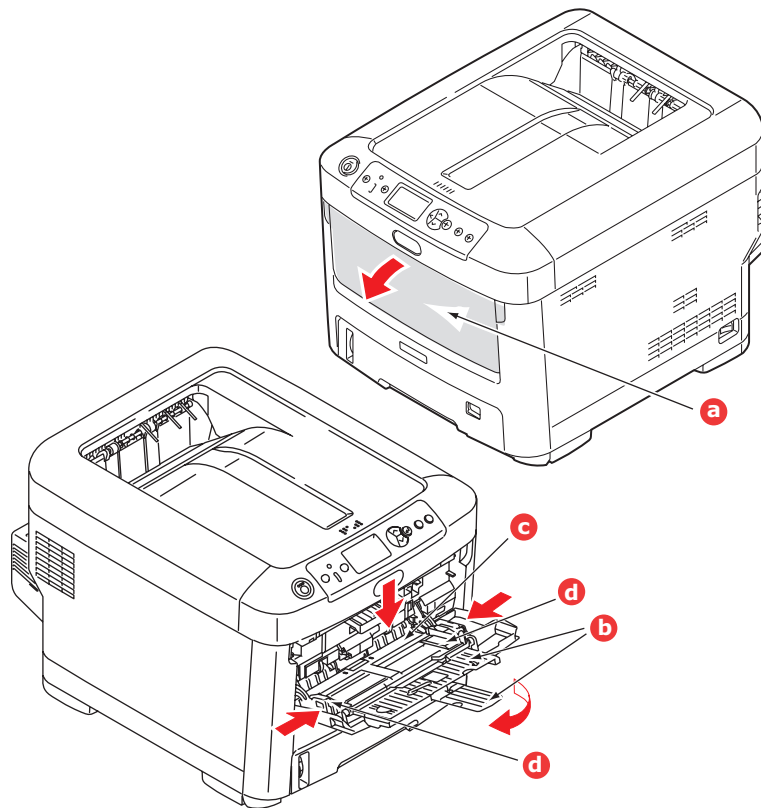


**CAUTION!**

**Do not open or close the rear paper exit while printing as it may result in a paper jam.**

## MULTI PURPOSE TRAY

1. Open the multi purpose tray (a).
2. Fold out the paper supports (b).



3. Press gently down on the paper platform (c) to ensure it is latched down.
4. Load the paper and adjust the paper guides (d) to the size of paper being used.
  - > For single-sided printing on headed paper load the paper into the multi purpose tray with pre-printed side up and top edge into the printer.
  - > For two-sided (duplex) printing on headed paper load the paper with pre-printed side down and top edge away from the printer.
  - > Envelopes should be loaded face up with top edge to the left and short edge into the printer. Do not select duplex printing on envelopes.
  - > Do not exceed the paper capacity of about 100 sheets or 10 envelopes. Maximum stacking depth is 10mm.
5. Press the tray latch button inwards to release the paper platform, so that the paper is lifted and gripped in place.
6. Set the correct paper size for the multi purpose tray in the Media Menu (see ["Menu functions" on page 21](#)).

## **OPERATION**

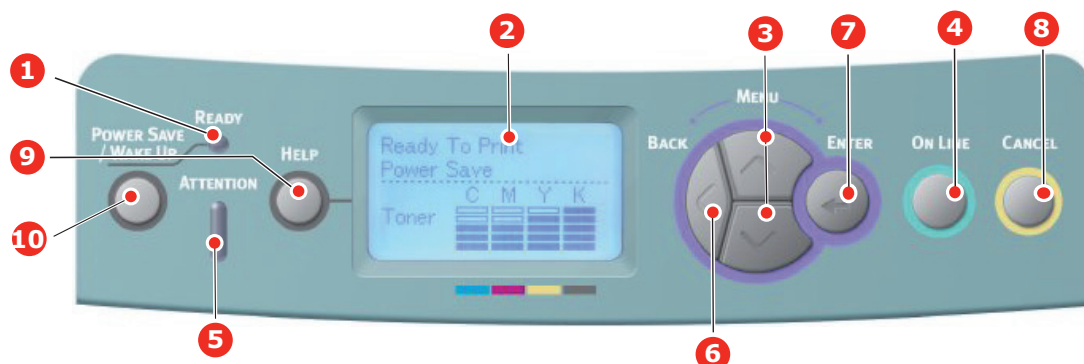
For full details of how to use the machine and any optional accessories to print jobs efficiently and effectively, please refer to the Printing Guide and the Barcode Guide.

For full details of how to access and use the printer security features, please refer to the Security Guide.

## MENU FUNCTIONS

This section lists the menus accessed via the controls on the printer's operator panel and displayed in the LCD window.

### OPERATOR PANEL:



1. Ready LED	<b>ON:</b> Ready to receive data. <b>BLINKING:</b> Processing data. <b>OFF:</b> Offline.	2. Display	Displays the printer status and any error messages.
3. Menu Scroll Buttons	Enters the <b>Menu</b> mode. In Menu mode, forwards or reverses the menu item displayed. Press for 2 secs. or longer to jump from top to bottom.	4. On Line Button	Switches between <b>ONLINE</b> and <b>OFFLINE</b> . Exits the menu and goes <b>ONLINE</b> when pressed in the Menu mode. Scrolls the <b>HELP</b> screen. Forces printing on the paper currently loaded when pressed with "WRONG PAPER" or "WRONG PAPER SIZE" displayed.
5. Attention LED	<b>ON:</b> A warning occurs. Printing may be possible (e.g. low toner). <b>BLINKING:</b> An error occurs. Printing not possible (e.g. toner empty). <b>OFF:</b> Normal condition.	6. Back Button	Returns to the previous higher level menu item. Pressing this button for more than 4 seconds initiates the printer shutdown procedure, select <b>Yes</b> to continue or <b>No</b> to abort.
7. Enter Button	In the <b>ONLINE</b> or <b>OFFLINE</b> mode: enters the Menu mode. In the <b>Menu</b> mode: determines the setting selected.	8. Cancel Button	Deletes the data being printed or received when pressed for two seconds or longer. Deletes the data when pressed for two seconds or longer with WRONG PAPER SIZE, RUN OUT OF PAPER, TRAY 1 IS OPEN, or TRAY 1 IS NOT FOUND is displayed. Exits the menu and goes <b>ONLINE</b> when pressed in the Menu mode.
9. Help Button	Provides advice when an error such as incorrect paper size occurs.	10. Power Save/ Wake Up Button	Pressing this button switches the machine into sleep or wake-up mode. Refer to <a href="#">"Power saving mode" on page 13.</a>

## HOW TO CHANGE THE SETTINGS - USER

It should be noted that many of these settings can be, and often are, overridden by settings in the printer drivers. However, several of the driver settings can be left at "Printer Setting", which will then default to the settings entered in these printer menus.

Where applicable, factory default settings are shown in bold type in the following tables.

In the normal operating condition, known as "standby," the printer's LCD window will show *Ready to Print*. In this condition, to enter the menu system, press the **up** and **down** Menu buttons on the operator panel to move up and down through the list of menus until the menu you wish to view is displayed. Then proceed as follows:

1. Press **Enter** to enter the menu.
2. Use the **up** and **down** MENU buttons on the control panel to scroll through the menus. When the item you want to change is displayed, press **Enter** to view the sub-menus for that item.
3. Use the **up** and **down** MENU buttons to move up and down through the sub-menu items. When the item you want to change is displayed press **Enter** to display the setting.
4. Use the **up** and **down** MENU buttons to move up and down through the available settings for the sub-menu item. When the item you want to change is displayed press **Enter** to display the setting. An asterisk (\*) will appear next to the setting, indicating that this setting is currently in effect.
5. Do one of the following:
  - > Press **Back** again to move up to the list of menus;
  - or...
  - > Press **On Line** or **Cancel** to exit from the menu system and return to standby.

## HOW TO CHANGE THE SETTINGS - ADMINISTRATOR

You can set whether to **ENABLE** or **DISABLE** each category in the user menu.

Disabled categories are not displayed in the User's menu. Only a system administrator can change these settings.

1. Turn **OFF** the printer. Turn **ON** the printer while pressing the **Enter** button. When **Boot Menu** appears, take your finger off the button.
2. Press the **Enter** button.
3. At the *Enter Password* prompt, enter the Admin password:
  - (a) Using the **up** and **down** MENU buttons, scroll to the required letter/digit.
  - (b) Press the **Enter** button to input and move to the next letter/digit.
  - (c) Repeat steps (a) and (b) until all letters/digits are entered.

***Enter your 4 to 9 digit password.***

(The default password is aaaaaa).

4. Press the **Enter** button.
5. Press the **up** or **down** MENU button until the "category" you want to change is displayed.
6. Press the **Enter** button.
7. Press the **up** or **down** MENU button until the "item" you want to change is displayed.

8. Press the **Enter** button.
9. Using the **up** or **down** MENU button, identify the parameter as required.
10. Press the **Enter** button to enter an asterisk (\*) on the right side of the setting selected.
11. Press the **On Line** button to switch to online. The machine will automatically re-boot.

## CONFIGURATION MENU

ITEM	ACTION	EXPLANATION
Tray Count	Tray1 Tray 2* Tray 3* MPTray *Note: Only available when optional trays are present	Select an item to display the total number of pages printed from the relevant tray.
Supplies Life	Cyan Drum Magenta Drum Yellow Drum Black Drum Belt Fuser Cyan Toner Magenta Toner Yellow Toner Black Toner	Select item to display the percentage of a consumable remaining.
Network	Printer Name Short Printer Name IPv4 Address Subnet Mask Gateway Address MAC Address Network FW Version Web Remote Version IPv6 Address(Local) IPv6 Address(Global)	Displays the full printer name. Displays an abbreviated version. Displays the IPv4 Address of the network. Displays the Subnet Mask of the network. Displays the Gateway Address of the network. Displays the MAC Address of the printer. Displays the Network firmware revision. Displays the Web remote version. Displays the IPv6 Address(Local) of the network. <sup>a</sup> Displays the IPv6 Address(Global) of the network. <sup>a</sup>
System	Serial Number Asset Number Lot Number CU Version PU Version Total Memory Flash Memory SD Card Date and Time	Displays information for these items.

a. Display condition: IP Version is IP v4+v6 or IP v6.

## PRINT INFORMATION MENU

This menu provides a quick method of listing various items stored within the printer.

ITEM	ACTION	EXPLANATION
Configuration	Execute	Select execute to print out a configuration report.
Network	Execute	Scroll down to this parameter and select execute to print out Network information.
Demo Page DEMO1	Execute	Scroll down to this parameter and select execute to print out a demonstration page.
File List	Execute	Scroll down to this parameter and select execute to print out a list of job files. (displayed only if FileSystem is installed).
PS Font List	Execute	Scroll down to this parameter and select execute to print out a Postscript emulation typeface list.
PCL Font List	Execute	Scroll down to this parameter and select execute to print out a PCL font list.
IBM PPR Font List	Execute	Scroll down to this parameter and select execute to print out an IBM PPR font list.
EPSON FX Font List	Execute	Scroll down to this parameter and select execute to print out an Epson FX emulation font list.
Usage Report	Execute	Scroll down to this parameter and select execute to print out a list of colour and mono pages printed.
Error Log	Execute	Scroll down to this parameter and select execute to print out the error log.
Color Profile List	Execute	Scroll down to this parameter and select execute to print out a list of colour profiles.

## SHUTDOWN MENU

This item should always be selected before switching the printer off, to ensure that no data is lost.

ITEM	SETTINGS	EXPLANATION
Shutdown Start	Execute	Performs controlled shutdown of the printer. Only power the printer off when the display indicates that shutdown is complete.



## PRINT SECURE JOB

**NOTE:**

*This menu only displays if the optional SD card is installed.*

ITEM	ACTION	EXPLANATION
Encrypted Job	Not Found Print Delete	<p>Used for printing an encrypted authentication print job (Encrypted Job) stored in the SD card.</p> <p>After inputting a password, "Searching Job" is displayed until a job appropriate for the password is found.</p> <p>(Searching time increases in proportion to the number of jobs stored in the SD card, and the printer may take up to 20 sec.)</p> <p>The search can be cancelled by holding down the Cancel button.</p> <p>Not Found will be displayed where a file, which could be printed is not available.</p> <p>The following message will appear if a printable file is available.</p> <p><b>Encrypted Job</b></p> <p><b>Print</b></p> <p><b>Delete</b></p> <p>A set of all jobs will be printed if Print is selected and the Enter button is pressed.</p> <p>The following message will appear if Delete is selected:</p> <p><b>Are You Sure?</b></p> <p><b>Yes</b></p> <p><b>No</b></p> <p>The display will return to the source menu if No is selected.</p> <p>All jobs will be deleted if Yes is selected.</p> <p>Print jobs with encrypted authentication stored in the SD card are deleted by a delete method specified by the driver after printing or a delete instruction from the menu.</p>
Stored Job	Not Found Print Delete	<p>Used to print out a stored job in the SD card.</p> <p><b>Not Found</b> will be displayed where a file, which could be printed is not available.</p> <p>The following message will appear if a printable file is available.</p> <p><b>Stored Job</b></p> <p><b>Print</b></p> <p><b>Delete</b></p> <p>When <b>Print</b> is selected, <b>Set Collating Amount</b> is displayed and the number of pages to print can be specified.</p> <p>Specify the number of pages to print and press the <b>Enter</b> button.</p> <p>The following message will appear if <b>Delete</b> is selected:</p> <p><b>Are You Sure?</b></p> <p><b>Yes</b></p> <p><b>No</b></p> <p>If <b>No</b> is selected, the display will return to the previous menu.</p> <p>If <b>Yes</b> is selected, all jobs will be deleted.</p>

## MENUS

ITEM	ACTION	EXPLANATION
Tray Configuration	Paper Feed Default: <b>Tray 1</b>	Select tray. Select by scroll and <b>Enter</b> button.
	Auto Tray Switch Default: <b>On</b>	Switches Auto ON/OFF. Select by scroll and <b>Enter</b> button.
	Tray Sequence Default: <b>Down</b>	Selects Tray sequence <b>Down/Up/Paper feed Tray</b> . Select by scroll and <b>Enter</b> button.
	Unit of Measurement Default: <b>millimeter</b>	Selects UOM Inches or millimeter. Select by scroll and <b>Enter</b> button.
	Tray1 Config  Default: Paper Size: <b>ES6410</b> <b>A4/A5/A6/B5/</b> Legal14/ Legal13.5/ Legal13/Letter/ Executive/ Custom  <b>ES7411</b> <b>Cassette/</b> Custom  Media Type: <b>Plain/</b> Letterhead/ Bond/ Recycled/Card Stock/Rough/ Glossy/USER TYPE 1-5  Media Weight: Light/Medium Light/ <b>Medium/</b> Heavy/Ultra Heavy1/Ultra Heavy2	Configure <b>Paper Size/Media Type/Media Weight</b> . Select by scroll and <b>Enter</b> button.          USER TYPE 1 to 5 are displayed only if registered in the host PC.

ITEM	ACTION	EXPLANATION
Tray Configuration (cont.)	<p>MPTray Config</p> <p>Paper Size: <b>A4/A5/A6/B5/</b> Legal14/Legal 13.5/Legal13/ Letter/ Executive/ Custom/Com-9 Envelope/Com- 10 Envelope/ Monarch Envelope/DL Envelope/C5/ Index Card</p> <p>Media Type: <b>Plain/</b> Letterhead/ Films/Labels/ Bond/ Recycled/Card Stock/Rough/ Glossy/ USERTYPE 1-5</p> <p>Media Weight: Light/Medium Light/<b>Medium/</b> Heavy//Ultra Heavy1/Ultra Heavy2/Ultra Heavy3</p> <p>Tray Usage: When Mismatching/ <b>Do Not Use</b></p>	<p>Configure <b>Paper Size/Media Type/Media Weight/Tray Usage</b>. Select by scroll and <b>Enter</b> button.</p> <p>USERTYPE 1 to 5 are displayed only if registered in the host PC. Paper weight 189 ~ 250g/m<sup>2</sup></p> <p>Sets MPTray usage. <b>When Mismatching:</b> if paper mismatch occurs, paper is requested from the MPTray instead of the specified tray. <b>Do Not Use:</b> sets MPTray unavailable both in Auto Tray Select and Auto Tray Switch.</p>
	<p>Tray 2 Config*</p> <p>Tray 3 Config*</p>	<p>*Note: only present if option installed.</p>

ITEM	ACTION	EXPLANATION
System Adjust	Power Save Time Default: <b>30</b>	Select from <b>1/2/3/4/5/10/15/30/60/120/180 Minutes</b> . Select by scroll and <b>Enter</b> button.
	Sleep Time Default: <b>10</b>	Select from <b>1/2/3/4/5/10/15/30/60/120/180 Minutes</b> . Select by scroll and <b>Enter</b> button.
	Clearable Warning Default: <b>ONLINE</b>	Select from: <b>ONLINE/Job</b> . Select by scroll and <b>Enter</b> button. PS job only.
	Auto Continue Default: <b>Off</b>	Select from <b>On/Off</b> . Select by scroll and <b>Enter</b> button.
	Manual Timeout Default: <b>60</b>	Select from <b>Off/30 seconds/60 seconds</b> . Select by scroll and <b>Enter</b> button.
	Wait Timeout Default: <b>40</b>	Select from <b>Off/5/10/20/30/40/50/60/90/120/150/180/210/240/270/300 seconds</b> . Select by scroll and <b>Enter</b> button.
	Low Toner Default: <b>Continue</b>	Select action to take when toner sensor indicates low toner. Select from <b>Continue/Stop</b> . Select by scroll and <b>Enter</b> button.
	Jam Rcovery Default: <b>On</b>	Select from <b>On/Off</b> . Select by scroll and <b>Enter</b> button.
	Error Report Default: <b>Off</b>	Select from <b>On/Off</b> . Select by scroll and <b>Enter</b> button.
	Print Position Adjust Default: <b>0.00</b>	Select from <b>X Adjust/Y Adjust/Duplex X Adjust/Duplex Y adjust</b> . Select by scroll and <b>Enter</b> button. Define measurement.
	Paper Black Setting -2/-1/0/+1/+2 Default: <b>0</b>	Used for fine adjustment of the black print on paper.
	Paper Color Setting -2/-1/0/+1/+2 Default: <b>0</b>	Used for fine adjustment of the colour print on paper.
	Films Black Setting -2/-1/0/+1/+2 Default: <b>0</b>	Used for fine adjustment of the black print on films.
	Films Color Setting -2/-1/0/+1/+2 Default: <b>0</b>	Used for fine adjustment of the colour print on films.
	SMR Setting +3/+2/+1/0/-1/-2/-3/ Default: <b>0</b>	To correct variations in print results caused by temperature/humidity conditions and difference in print density/frequency. Change the setting when print quality is uneven.
BG Setting +3/+2/+1/0/-1/-2/-3/ Default: <b>0</b>	To correct variations in print results caused by temperature/humility conditions and difference in print density/frequency. Change the setting when background is dark.	

ITEM	ACTION	EXPLANATION
System Adjust (cont.)	Drum Cleaning Default: <b>Off</b>	Sets whether to rotate the drum in idle prior to printing in order to reduce horizontal white lines.  Be warned that this will shorten the ID life by as much as this rotation. Select by scroll and <b>Enter</b> button.
	Hex Dump <b>Execute</b>	Prints out data received from the host PC in the hexadecimal Dump. Turning off the power supply switch restores Normal Mode.

## ADMIN SETUP

ITEM		SETTINGS	EXPLANATION
Enter Password		xxxxxxxxxxxx	Enter a password to gain entry to the Admin Setup menu. Password should be from 6 to 12 digits of alpha/numeric characters (or mix) The default value is "aaaaaa"
Network Setup	TCP/IP	<b>Enable</b> Disable	Sets TCP/IP Protocol. Enable: TCP/IP Protocol is available. Disable: TCP/IP Protocol is not available.
	IP Version	<b>IP v4</b> IP v4+v6 IP v6	Set up the IP version. Operates with IPv4 for IPv4 (not valid with IPv6). Operates with both IPv4 and IPv6 for IPv4+v6. Operates with IPv6 for IPv6 (not valid with IPv4). There is only IPv4 and IPv4+v6 as normal value.  From this stage, if IPv6 only is set from UI, for example Telnet, "IPv6" appears as the value of IP Version on the operation panel. "IPv6" will disappear from the value if "IP v4" or "IP v4+v6" is selected.  Display Condition: TCP/IP should be enabled.
	NetBEUI	Enable <b>Disable</b>	Sets Enable/Disable of NETBEUI Protocol.
	NetBIOS over TCP	<b>Enable</b> Disable	Sets Enable/Disable of NetBIOS over TCP protocol. Display Conditions: > TCP/IP should be enabled. > IP Version is not IPv6.
	NetWare	Enable <b>Disable</b>	Sets Enable/Disable of NetWare Protocol.
	EtherTalk	Enable <b>Disable</b>	Sets Enable/Disable of EtherTalk Protocol.
	Frame Type	<b>Auto</b> 802.2 802.3 Ethernet II SNAP	Sets the frame type. Display Condition: Netware should be enabled.
	IP Address Set	<b>Auto</b> Manual	Sets the IP Address setting method. Display Conditions: > TCP/IP should be enabled. > IP Version is not IPv6.
	IPv4 Address	xxx.xxx.xxx.xxx	Sets the IP Address. Display Conditions: > TCP/IP should be enabled. > IP Version is not IPv6.
Subnet Mask	xxx.xxx.xxx.xxx	Sets the Subnet Mask. Display Conditions: > TCP/IP should be enabled. > IP Version is not IPv6.	

ITEM		SETTINGS	EXPLANATION
Network Setup (cont.)	Gateway Address	xxx.xxx.xxx.xxx	Sets the Gateway (default router) address. 0.0.0.0 means that there is no router. Display Conditions: > TCP/IP should be enabled. > IP Version is not IPv6.
	Web	<b>Enable</b> Disable	Sets Enable/Disable of Web. Enable: Web/IPP is available. Disable: Web/IPP is not available. Display Condition: TCP/IP should be enabled.
	Telnet	Enable <b>Disable</b>	Sets Enable/Disable of Telnet. Enable: Telnet is available. Disable: Telnet is not available. Display Condition: TCP/IP should be enabled.
	FTP	Enable <b>Disable</b>	Sets Enable/Disable of FTP. Enable: FTP is available. Disable: FTP is not available. Display Condition: TCP/IP should be enabled.
	IPSec	Enable <b>Disable</b>	Sets Enable/Disable of IPSec. Enable via the web. Enable: IPSec is available. Disable: IPSec is not available.
	SNMP	<b>Enable</b> Disable	Sets Enable/Disable of SNMP. Enable: SNMP is available. Disable: SNMP is not available. Display Condition: TCP/IP or NetWare should be enabled.
	Network Scale	<b>Normal</b> Small	When <b>Normal</b> is selected, the network can work effectively even when it is connected to a HUB that has a spanning tree feature. However, printer start up time gets longer when computers are connected with two or three small LANs.  When <b>Small</b> is selected, computers can cover from two or three small LANs to a large LAN, but may not work effectively when the network is connected to a HUB with a spanning tree feature.
	Hub Link Setting	<b>Auto Negotiate</b> 100Base-TX Full 100Base-TX Half 10Base-T Full 10Base-T Half	Sets a method to link to a HUB. When <b>Auto</b> is set, a connection method to a HUB is selected automatically and attempts to connect.  If another method is selected, attempts to connect to a HUB only by the selected connection method.
	Factory Defaults?	Execute	Specifies whether to initialize the network factory default settings for the Network.
Print Setup	Personality	<b>Auto</b> PostScript PCL XPS IBM PPR EPSON FX	Selects a printer language.
	Copies	<b>1</b> - 999	Selects the number of copies.  This setting is disabled for Local Print except for Demo Page.
	Duplex	On/ <b>Off</b>	Specifies duplex print if a duplex unit is installed and enabled

ITEM		SETTINGS	EXPLANATION
Print Setup (cont.)	Binding	<b>Long Edge</b> Short Edge	Specifies Binding in duplex printing. Display Condition: a duplex unit is installed and enabled. Refer to "Duplex" on page 31.
	Media Check	<b>Enable</b> Disable	Sets whether the printer checks the matching of printed data size and that of the tray. Only standard sizes are checked.
	Resolution	600dpi <b>600x1200dpi</b> 600dpi multi-level	Sets default resolution.
	Toner Save Mode	On/ <b>Off</b>	This function works effectively only if the data input is color RGB data. This setting is valid in PS and PCL, but does not take effect in the following cases. (1) PS: If Color Matching is set OFF. (2) PS: If any setting other than ASIC Color Matching is set. (3) PS: CMYK data when Ink Simulation Mode is used (valid in any other cases except Case (1) and Case (2) above as long as data is RGB). (4) PCL binary data (Color/Monochrome).
	Mono-Print Speed	<b>Auto</b> Color Speed Normal Speed	Sets the monochrome print speed. Prints at the most appropriate speed for page process if <b>Auto</b> is set. Prints always at the color print speed if <b>Color</b> is set. Prints always at the monochrome print speed if <b>Normal</b> is set.
	Default Orientation	<b>Portrait</b> Landscape	Specifies print orientation. Not valid for PS (valid only for PCL/ IBMPPR/EPSONFX/ HP-GL2).
	Form Length	5 lines ~ <b>64 lines</b> ~ 128 lines	Sets the number of lines that can be printed on a page Not valid for PS (valid only for PCL/HP-GL2). Default values listed to the left are for Letter/A4. In practice, however, they change according to the size of paper loaded in the tray.
	Edit Size	<b>Cassette Size/</b> A4/A5/A6/B5/ Legal14/ Legal13.5/ Legal13/Letter/ Executive/ Custom/Com-9 Envelope/Com-10 Envelope/ Monarch Envelope/DL Envelope/C5/ Index Card	Sets the size of an area to draw when the host PC does not specify the size via the paper edit size designating command (Not valid for PS - only for PCL).
Trapping	<b>Off</b> Narrow Wide	Sets trapping.	



ITEM		SETTINGS	EXPLANATION
Print Setup (cont.)	X Dimension	64 mm ~ <b>210 mm</b> ~ 216 mm	Specifies paper width of Custom paper as a default value. Sets a paper size at right angles to the paper run direction.
	Y Dimension	127 mm ~ <b>297 mm</b> ~ 1321 mm	Specifies paper length of Custom paper as a default value. Sets a paper size in the same direction as the paper run direction.
PS Setup	Network Protocol	ASCII/ <b>RAW</b>	Specifies PS communication protocol mode of data from NIC port. (In RAW mode, Ctrl-T is invalid). PS models only.
	Parallel Protocol*	<b>ASCII</b> /RAW	Specifies PS communication protocol mode of data from Centronics port. (In RAW mode, Ctrl-T is invalid). PS models only. * This menu item is applicable to the ES7411 only.
	USB Protocol	ASCII/ <b>RAW</b>	Specifies PS communication protocol mode of data from USB port. (In RAW mode, Ctrl-T is invalid). PS models only.
PCL Setup	Font Source	<b>Resident</b>	Specifies the location of PCL default font.
	Font Number	<b>10</b> ~ I90	Sets the PCL font number. The valid range of this variable changes depending on the FONT SOURCE setting at the time. If the default font is set for FONT SOURCE, the number starts at 0. If it is not, the number starts at 1. The maximum value is equal to the number of fonts installed in FONT SOURCE.
	Font Pitch	0.44 CPI ~ <b>10.00 CPI</b> ~ 99.99 CPI	Width of the PCL default font in characters per inch (CPI). Default font is fixed-pitch, scalable font. The value of pitch is displayed down to the second decimal place. Displayed only when the font selected in Font Number is a fixed-spacing, scalable font.
	Font Height	4.00 point ~ <b>12.00 point</b> ~ 999.75 point	Height of the PCL default font. The value is displayed down to the second decimal place (in 0.25 point increments). Displayed only when the font selected in Font Number is a proportional-spacing, scalable font.
	Symbol Set	<b>PC-8</b>	Sets the symbol set of PCL (see machine operator panel for complete list).

ITEM		SETTINGS	EXPLANATION
PCL Setup (cont.)	A4 Print Width	<b>78 column</b> 80 column	<p>Sets the number of characters for A4 paper. Auto LF.</p> <p>This is for 10-CPI characters when Auto CR/LF Mode is set to OFF.</p> <p>This menu is enabled only when A4 paper is selected in the menu that sets the print width of A4 paper in portrait orientation.</p> <p>Usually, such A4 paper print width is set slightly narrower than 8 inches (about 7.93 inches).</p> <p>This setting cannot print 80 10-cpi characters (only prints up to 78 10-cpi characters). 80 characters set at A4 Print Width widen the right and left margins.</p> <p>A PCL command selects or selects/deselects Auto CR/LF mode.</p>
	White Page Skip	On/ <b>Off</b>	Sets whether to eject a page without any data to print (blank page) upon reception of FF command (OCH) in PCL Mode. OFF: Ejecting.
	CR Function	<b>CR</b> /CR+LF	<p>Sets action when CR code is received in PCL.</p> <p>CR: Carriage Return CR+LF: Carriage Return and Line Feed</p>
	LF Function	<b>LF</b> /LF+CR	<p>Sets action when LF code is received in PCL.</p> <p>LF: Line Feed LF+CR: Line Feed and Carriage Return</p>
	Print Margin	<b>Normal</b> 1/5 inch 1/6 inch	<p>Sets a non-printable area of paper.</p> <p>The width of the area along the right and left sides of paper (left and right sides depend on paper orientation).</p> <p>NORMAL: PCL emulation compatible, approximately 1/4~1/4.3INCH (depending on paper) is outside the printable area.</p>
	True Black	On/ <b>Off</b>	<p>Sets whether to use Composite Black (cmyk mixed) or Pure Black (K only) for the black (100%) in image data.</p> <p>OFF: Mode using Composite Black ON: Mode using Pure Black (PCL only)</p>
	Pen Width Adjust	<b>On</b> /Off	<p>When minimum width is specified in PCL, sometimes a 1-dot line, looks broken.</p> <p>With PEN WIDTH Adjust set to ON, when the minimum width is specified, the line width will be emphasized so as to look wider than a 1-dot line.</p> <p>With PEN WIDTH Adjust set to OFF, the line will appear as before.</p>
	Tray ID#		
Tray 2	1 ~ <b>5</b> ~ 59	Sets the # to specify Tray 2 for the paper feed destination command (ESC&I#H) in PCL5e emulation. (Displayed only if Tray 2 is installed).	
Tray 3	1 ~ <b>20</b> ~ 59	Sets the # to specify Tray 3 for the paper feed destination command (ESC&I#H) in PCL5e emulation. (Displayed only if Tray 3 is installed).	
MPTray	1 ~ <b>4</b> ~ 59	Sets the # to specify the MP tray for the paper feed destination command (ESC&I#H) in PCL5e emulation.	

ITEM		SETTINGS	EXPLANATION
IBM PPR Setup	Character Pitch	<b>10 CPI</b> 12 CPI 17 CPI 20 CPI Proportional	Specifies character pitch in IBM PPR emulation.
	Font Condense	<b>12CPI to 20CPI</b> 12CPI to 12CPI	Specifies 12CPI pitch for Condense Mode.
	Character Set	<b>SET-2</b> SET-1	Sets a character set.
	Symbol Set	<b>IBM-437</b>	Sets the Symbol Set for IBM PPR (see machine operator panel for complete list).
	Letter O Style	Enable/ <b>Disable</b>	Specifies the style that replaces ø (9B) and ¥ (9D) with ø (ou) and Ø (zero).
	Zero Character	<b>Normal</b> /Slashed	Specifies the style of 0(zero). SLASHED: SLASH ZERO
	Line Pitch	<b>6/8 LPI</b>	Sets line space.
	White Page Skip	On/ <b>Off</b>	Sets whether to eject a blank sheet. Available only when simplex is set.
	CR Function	<b>CR</b> /CR+LF	Sets action when CR code is received.
	LF Function	<b>LF</b> /LF+CR	Sets action when LF code is received.
	Line Length	<b>80</b> /136 column	Specifies the number of characters per line.
	Form Length	11/ <b>11.7</b> /12 inch	Specifies the length of paper.
	TOF Position	<b>0.0</b> /0.1/~1.0 inch	Sets the position from the top edge of paper.
	Left Margin	<b>0.0</b> /0.1/~1.0 inch	Sets the amount to shift the horizontal print start position to the right.
Fit to Letter	Enable/ <b>Disable</b>	Sets the printing mode that can fit print data, equivalent to 11 inches (66 lines), in the LETTER-size printable area.	
Text Height	<b>Same</b> /Diff	Sets height of a character. SAME: Regardless of CPI, same height DIFF: According to CPI, character heights vary.	

ITEM		SETTINGS	EXPLANATION
EPSON FX Setup	Character Pitch	<b>10 CPI</b> /12 CPI/ 17 CPI 20 CPI/ Proportional	Specifies character pitch in Epson FX emulation.
	Character Set	<b>SET-2</b> SET-1	Sets a character set.
	Symbol Set	<b>IBM-437</b>	Sets the Symbol Set for Epson FX Emulation. (see machine operator panel for complete list).
	Letter O Style	Enable/ <b>Disable</b>	Specifies the style that replaces ø (9B) and ¥ (9D) with ø (ou) and Ø (zero).
	Zero Character	<b>Normal</b> /Slashed	Specifies the style of 0(zero). SLASHED: SLASH ZERO
	Line Pitch	<b>6/8</b> LPI	Sets line space.
	White Page Skip	On/ <b>Off</b>	Sets whether to eject a blank sheet. Available only when simplex is set.
	CR Function	<b>CR</b> /CR+LF	Sets action when CR code is received.
	Line Length	<b>80</b> /136 column	Specifies the number of characters per line.
	Form Length	11/ <b>11.7</b> /12 inch	Specifies the length of paper.
	TOF Position	<b>0.0</b> /0.1/~1.0 inch	Sets the position from the top edge of paper.
	Left Margin	<b>0.0</b> /0.1/~1.0 inch	Sets the amount to shift the horizontal print start position to the right.
	Fit to Letter	Enable/ <b>Disable</b>	Sets the printing mode that can fit print data, equivalent to 11 inches (66 lines), in the LETTER-size printable area.
	Text Height	<b>Same</b> /Diff	Sets height of a character. SAME: Regardless of CPI, same height DIFF: According to CPI, character heights vary.
Color Setup	Ink Simulation	<b>Off</b> SWOP Euroscale Japan	The machine has its own process simulation engine which simulates standard colors in the printer. This function is available only with PS language jobs.
	UCR	<b>Low</b> Medium High	Selects limitation to the toner layer thickness. If paper curl occurs in dark printing, selecting MEDIUM or LIGHT sometimes helps reduce this curl. UCR = Under Color Removal.
	CMY 100% Density	Enable/ <b>Disable</b>	Enable/Disable 100% output against the CMY100% TRC compensation. Ordinarily, the TRC compensation function holds control for the appropriate print density; thus 100% output is not always possible. Selecting ENABLE will enable 100% output in any individual color. The actual print, including the TRC compensation function is limited to an appropriate area. This function is for special purposes such as specification in CMYK color reduction in PS.
	CMYK Conversion	<b>On</b> /Off	Setting to "OFF" will simplify the conversion process of CMYK data, which will reduce the processing time. This setting is ignored when Ink Simulation function is used. PS only

ITEM		SETTINGS	EXPLANATION
Memory Setup	Receive Buffer Size	<b>Auto</b> 0.5 megabyte 1 megabyte 2 megabyte 4 megabyte 8 megabyte 16 megabyte 32 megabyte	Sets the size of receive buffer
	Resource Save	Auto <b>Off</b> 0.5 megabyte 1 megabyte 2 megabyte 4 megabyte 8 megabyte 16 megabyte 32 megabyte	Sets the size of resource saving area.
Flash Memory Setup	Initialize	Execute	Initializes Resident FLASH. When the <b>Enter</b> button is pressed, the following confirmation message appears. Are You Sure?      Yes/No If <b>No</b> is selected, the previous menu display resumes. If <b>Yes</b> is selected, the following confirmation message displays. Execute Now?      Yes/No If <b>No</b> is selected, the previous menu display resumes. At this time, the request to execute FLASH initialization is put into the memory and initialization will be executed at power cycle. If <b>Yes</b> is selected, shutdown takes place, and FLASH is initialized at power Off/On cycle.

ITEM		SETTINGS	EXPLANATION
SD Card Setup	<b>This item is displayed only if the SD card (option) is installed.</b>		
	Initialize	Execute	<p>Initializes the SD Card to the factory default setting. Machine performs partition-division, and initializes each partition.</p> <p>When this menu is executed, the following confirmation message appears.</p> <p>Are You Sure? Yes/No</p> <p>If <b>No</b> is selected, you will return to the previous menu.</p> <p>If <b>Yes</b> is selected, the following confirmation message appears.</p> <p>Execute Now? Yes/No</p> <p>If <b>No</b> is selected, you will return to the previous menu.</p> <p>The request to execute SD Card initialization is put into the memory and initialization will be executed at the next power cycle.</p> <p>If <b>Yes</b> is selected, shutdown takes place, and the SD Card is initialized at power Off/On cycle.</p>
	Resize Partition	PCL nn%/ Common mm%/ PSII%/<Apply>	<p>Specifies the size of partition. Specifies a size by ratio to the whole SD Card in % (1% unit).</p> <p>nn,mm,II: 1 - 98 and nn+mm+II=100</p> <p>The sizes are displayed in the partition list and can be changed by selecting the partition size to be changed. If <b>Apply</b> is selected, the following confirmation message appears.</p> <p><b>Are You Sure? Yes/No</b></p> <p>If <b>No</b> is selected, you will return to the previous menu.</p> <p>If <b>Yes</b> is selected, the following confirmation message appears.</p> <p><b>Execute Now? Yes/No</b></p> <p>If <b>No</b> is selected, you will return to the previous menu.</p> <p>The request to execute the partition size change request is put into the memory and the SD Card initialization and partition size change will be executed at next power cycle.</p> <p>If <b>Yes</b> is selected, shutdown takes place. SD Card initialization and partition size change will be executed at Power Off/On cycle. (If one partition size is modified, the others are also modified.) If any partition size is modified, Initialization of SD Card needs to be executed as well.</p> <p>If a previously used SD Card is installed, SD Card initialization also takes place. If an SD Card, which has been used before, is installed, the layout of this menu may be different from that of each partition. (The previously used layout will be displayed.)</p>
Format Partition	PCL Common PS	<p>Formats a specified partition.</p> <p>When the <b>Enter</b> button is pressed, the following confirmation message appears.</p> <p><b>Are You Sure? Yes/No</b></p> <p>If <b>No</b> is selected, you will return to the previous menu.</p> <p>If <b>Yes</b> is selected, the following confirmation message appears.</p> <p><b>Execute Now? Yes/No</b></p> <p>If <b>No</b> is selected, you will return to the previous menu.</p> <p>The request to execute partition formatting is put into the memory and formatting will be executed at next power cycle.</p> <p>If <b>Yes</b> is selected, shutdown takes place and the partition is formatted at power Off/On cycle.</p>	

ITEM		SETTINGS	EXPLANATION
System setup	Near Life Status	<b>Enable</b> /Disable	Set LCD panel control at the time of near-life warning for drum, fuser and belt. Enable: Display a near-life warning. Disable: Do not display a near-life warning.
	Near Life LED	<b>Enable</b> /Disable	Controls the settings of the <b>Attention LED</b> when near end of life warning of toner, drum, fuser, or belt occurs. Attention LED is lit when enabled, not lit if disabled. (Displays LCD message.) The temporary recovery by opening and closing of the cover in Life error is not included.
Time Setup	Date Format	mm/dd/yyyy <b>dd/mm/yyyy</b> yyyy/mm/dd	Set desired date format.
	Time Zone	-13:00 ~ <b>0:00</b> ~ +13:00	Enter the time zone for your country in relation to GMT. Set in quarter units within the range. Use the <b>Menu up/down</b> buttons to increment/decrement and press the <b>Enter</b> button to set and proceed to the next digit.
	Daylight Saving	On <b>Off</b>	Enable/disable daylight saving setting.
	Time Setting	<b>01/01/2000</b> <b>00:00</b> ~ 01/01/2009 00:00 ~ 31/12/2091 23:59	Set current date and time. Display format follows the settings selected in Date Format.
Change Password	New Password	xxxxxxxxxxxxxx	Sets a new password to enter Admin Setup menu From 6 to 12 alpha/numeric digits can be entered.
	Verify password	xxxxxxxxxxxxxx	Forces the User to input the new password to enter Admin Setup. From 6 to 12 alpha/numeric digits can be entered.
Settings	Reset Settings	Execute	Resets EEPROM of CU. Resets User menu to the factory default. If <b>Execute</b> is selected, exits from the menu.
	Save Settings	Execute	Saves menus currently set. With this function, the menus with which operation was last performed are saved, and overwrites with the menus that were previously saved. When the <b>Enter</b> button is pressed, the following confirmation message appears. <b>Are You Sure? Yes/No</b> When <b>No</b> is selected, the preceding menus are restored. When <b>Yes</b> is selected, the current menu settings are saved and this menu is exited.

ITEM		SETTINGS	EXPLANATION
Settings (cont.)	Restore Settings	Execute	<p>Changes to the menu setting saved.</p> <p>When the <b>Enter</b> button is pressed, the following confirmation message appears.</p> <p><b>Are You Sure? Yes/No</b></p> <p>If <b>No</b> is selected, the previous menu display resumes.</p> <p>If <b>Yes</b> is selected, changes to the menu settings are saved and this menu is exited.</p> <p>Display Condition: The menu settings are saved.</p>

## CALIBRATION

ITEM		SETTINGS	EXPLANATION
Auto Density Mode		<b>On/Off</b>	<p>Selects whether density adjustment and TRC compensation is automatically performed.</p> <p>On: Density adjustment is automatically run under the engine-specified conditions, and reflected in TRC compensation.</p> <p>Off: The printer does not voluntarily run density adjustment.</p>
Adjust Density		Execute	<p>If Execute is selected, the printer will immediately adjust density and reflect it in TRC compensation.</p> <p><b>This adjustment must be executed when the printer is idling. It can become invalid if executed in any other state.</b></p>
Adjust Registration		Execute	<p>When this menu is selected, the printer performs AutoAdjust Registration.</p> <p><b>This adjustment must be executed when the printer is idling.</b></p>
Print Tuning Pattern		Execute	<p>Prints the pattern for the user to adjust TRC.</p> <p>Ordinarily, this function is not needed because TRC is automatically adjusted to the recommended levels through density adjustment and TRC compensation.</p> <p>Adjustment results will be reflected as offset values (addition) to the corrections through the Adjust Density/TRC Compensation function.</p>
Cyan/Magenta/ Yellow/Black Tuning	Highlight	-3,-2,-1, <b>0</b> ,+1,+2,+3,	<p>Adjusts HIGHLIGHT (light area) of the TRC.</p> <p>+ = Darker - = Lighter</p>
	Mid-Tone	-3,-2,-1, <b>0</b> ,+1,+2,+3,	<p>Adjusts MID-TONE area of the TRC.</p> <p>+ = Darker - = Lighter</p>
	Dark	-3,-2,-1, <b>0</b> ,+1,+2,+3,	<p>Adjusts DARK area of the TRC.</p> <p>+ = Darker - = Lighter</p>
Cyan/Magenta/ Yellow/Black Darkness		-3,-2,-1, <b>0</b> ,+1,+2,+3,	Adjusts the engine density.



## BOOT MENU

This menu should only be changed by the System Administrators. In order to gain access to this menu, follow the instructions in ["How to change the settings - administrator" on page 22.](#)

This menu is in ENGLISH only (default settings in bold type).

## Parallel Setup

---

*NOTE*  
*This menu item is applicable to the ES7411 only.*

---

This menu controls the operation of the printer's Parallel data interface.

ITEM	SETTINGS	EXPLANATION
Enter Password	xxxxxxxxxxxx	Enter a password to access the Boot menu. Password should be from 6 to 12 digits of alpha/numeric characters (or mix) The default value is "aaaaaa"
Parallel	<b>Enable</b> / Disable	Enables or disables the parallel port.
Bi-Direction	<b>Enable</b> / Disable	ENABLE/DISABLE the bi-directional capability of the parallel interface.
ECP	<b>Enable</b> / Disable	Extended Capabilities Port, enables/disables this function.
Ack Width	<b>Narrow</b> / Medium / Wide	Sets ACK width for compatible reception. = 0.5 $\mu$ s = 1.0 $\mu$ s = 3.0 $\mu$ s
Ack / Busy Timing	<b>Ack in Busy</b> / Ack while Busy	ACK IN BUSY: BUSY=LOW-> The end of ACK pulse. ACK WHILE BUSY: BUSY=LOW -> The centre of ACK pulse.
I-Prime	3 $\mu$ sec/50 $\mu$ sec <b>Disable</b>	3 microseconds: Enabled with the 3 $\mu$ s nInit signal. 50 microseconds: Enabled with the 50 $\mu$ s nInit signal.
Offline Receive	Enable / <b>Disable</b>	To Enable/disable of this function. When set to Enable, the interface retains a receive possible state even when switching to Offline. Interface sends the BUSY signal only when the receive buffer is full or a service call occurs.

## USB Setup

This menu controls the operation of the printer's USB data interface.

ITEM	SETTINGS	EXPLANATION
USB	<b>Enable</b> / Disable	ENABLES / DISABLES the USB port.
Speed	<b>480</b> / 12 Mbps	Selects the interface speed. After setting change the menu, the printer restarts on exit.
Soft Reset	Enable / <b>Disable</b>	Enables or disables the SOFT RESET command.
Offline Receive	Enable / <b>Disable</b>	OFFLINE RECEIVE.
Serial Number	<b>Enable</b> / Disable	Specifies whether to ENABLE or DISABLE a USB serial number. The USB serial number is used to identify the USB device connected to your PC.

When you have changed any settings in the USB menu, turn the printer OFF, then ON again.

## Security Setup

---

*NOTE*

*This menu only displays if the optional SD card is installed.*

---

ITEM	SETTINGS	EXPLANATION
Job Limitation	<b>Off</b> Encrypted Job	Job limitation mode control. Jobs other than specified ones are rejected.
Make Secure SD Card	Execute	SD Card encoding function is made effective. Formation of the cipher key and encoding function (security mode) information is turned on. At the same time, it initializes the SD card. After execution, the following confirmation messages will appear. <b>Are You Sure?</b> <b>Yes</b> <b>No</b> If <b>No</b> is selected, the display will return to the previous menu. If <b>Yes</b> is selected, the printer will be automatically rebooted and the encoding function will become effective. Display Conditions: SD Card is installed, SD Card encoding function invalidity and <b>Storage Setup &gt; Enable Initialization &gt; Yes</b>
Make Normal SD Card	Execute	SD Card encoding function is set to invalid. Deletion of the cipher key and encoding function (security mode) information is turned off. At the same time, it initializes the SD card. After execution, the following confirmation messages will appear. <b>Are You Sure?</b> <b>Yes</b> <b>No</b> If <b>No</b> is selected, the display will return to the previous menu. If <b>Yes</b> is selected, the printer will be automatically rebooted and the encoding function will become invalid. Display Conditions: SD Card is installed, SD Card encoding function invalidity and <b>Storage Setup &gt; Enable Initialization &gt; Yes</b>

ITEM	SETTINGS	EXPLANATION
Reset Cipher Key	Execute	<p>Resets a cipher key to be used on an encrypted SD card.  When this processing is done, all data stored on the SD card cannot be restored.</p> <p>After execution, the following confirmation messages will appear.</p> <p><b>Are You Sure?</b></p> <p><b>Yes</b></p> <p><b>No</b></p> <p>If <b>No</b> is selected, the display will return to the previous menu.</p> <p>If <b>Yes</b> is selected, the printer will be automatically rebooted and the resetting of the cipher key will be executed.</p> <p>Display Conditions:</p> <ul style="list-style-type: none"> <li>&gt; SD Card implementation</li> <li>&gt; An encrypted SD card function is enabled.</li> </ul>

## Storage setup

**NOTE**

*This menu only displays if the optional SD card is installed.*

ITEM	SETTINGS	EXPLANATION
Check File System	Execute	Resolves mismatch between actual memory and displayed memory available in a file system. Performs administration data (FAT information) recovery. Performs recovery only for an SD Card.
Check All Sectors	Execute	Performs recovery of defective SD Card sector information and a file system mismatch mentioned above.
Enable SD Card	No <b>Yes</b>	Even if a machine is inoperable at installation because of a faulty SD Card, the machine can be made operable by setting this parameter to <b>No</b> (ignores the existence of the SD Card). When No is set, access to the SD Card results in <b>FAIL</b> because the SD Card is regarded as not attached. After setting change and exit from the menu, the printer will restart.
Erase SD Card	Execute	Deletion of all data stored in the SD Card. DoD 5220.22-M sanitizing formula is used for clearing the card. The machine will restart after changing setup. The following message appears after pressing the Enter button. <b>Are You Sure?</b> <b>Yes</b> <b>No</b> If <b>NO</b> is selected, you will be returned to the source menu If <b>Yes</b> is selected the procedure for clearing disk will start immediately after the machine reboots. If the <b>Cancel</b> button is held down during erasing, the following confirmation messages will appear to discontinue processing. <b>Do You Wish to Cancel?</b> <b>Yes</b> <b>No</b> If <b>NO</b> is selected, the procedure will continue. If <b>YES</b> is selected, the procedure will discontinue.
Enable Initialization	<b>No</b> Yes	Prevents a setting change accompanying initialization of Block Device (SD Card, FLASH).

## Power setup

ITEM	SETTINGS	EXPLANATION
Peak Power Control	<b>Normal</b> Low	Sets Peak Power Control level.
Power Save	<b>Enable</b> Disable	Sets Enable/Disable of Power Save Mode. If Power Save is disabled, pressing the <b>Power Save / Wake Up</b> button on the control panel will manually override this setting.
Sleep	<b>Enable</b> Disable	Sets Enable/Disable of Sleep Mode.
USB Host Power	<b>Off</b> On	Set power supply for USB-HOST of the whole power save mode. When Off, suppress power supply. When On, do normal power supply.

## Language setup

ITEM	SETTINGS	EXPLANATION
Language Initialize	Execute	Initialises the message file loaded in FLASH. When you press the <b>Enter</b> button, the following message, requesting confirmation, will appear, <b>Are You Sure?</b> <b>Yes</b> <b>No</b> If <b>NO</b> is selected, you will be returned to the source menu. The procedure for clearing the disk will start immediately after the menu and rebooting.

## Print statistics

ITEM	SETTINGS	EXPLANATION
Enter Password	****	Enters a password to enter Print Statistics menu. The default value is "0000". The password for entry to Print Statistics is different from the password for entry to Functions-Admin Setup. "Print Statistics" category is not shown when Print Statistics function is not supported.
Usage Report	Enable/ <b>Disable</b>	Enables/Disables the printing of the Usage Report. When changing a setting value, the printer is rebooted.
Group Counter	<b>Enable</b> /Disable	Specifies if the Group counter is displayed in the Usage Report Print. <b>Enable</b> : Displayed, <b>Disable</b> : Not displayed. Conditions for display: Enable must be selected in Print Statistics > Usage Report.

ITEM	SETTINGS	EXPLANATION
Supplies Report	Enable/Disable	Indication of frequency of consumable exchange/non indication is set. When Enable is set, also the maintenance counter is indicated in together. Conditions for display: Enable must be selected in Print Statistics > Usage Report.
Reset Main Counter	Execute	The main counter is reset. When it executes, the below-mentioned verification message is indicated. Are You Sure? Yes No When No is selected, it returns to original menu indication. When Yes is selected, the main counter zero is cleared, the menu is passed through. Conditions for display: Enable must be selected in Print Statistics > Usage Report.
Reset Group Counter	Execute	The group counter is reset. When it executes, the below-mentioned verification message is indicated. Are You Sure? Yes No When No is selected, it returns to original menu indication. When Yes is selected, the group counter zero is cleared, the menu is passed through. Conditions for display: Enable must be selected in Print Statistics > Usage Report. Enable must be selected in Print Statistics > Group counter Report.
Reset Supplies Counter	Execute	Frequency of consumable exchange is reset. (As for maintenance counter it is not reset,) Are You Sure? Yes No When No is selected, it returns to original menu indication. When Yes is selected, frequency of consumable exchange zero is cleared, the menu is passed through. Conditions for display: Enable must be selected in Print Statistics > Usage Report. Enable must be selected in Print Statistics > Supplies Report.
Change Password		Changes the password. Enable must be selected in Print Statistics > Usage Report.
New Password	****	Sets a new password to enter Print Statistics menu.
Verify Password	****	Re-enter new password set to enter Print Statistics set in New Password for confirmation.

## MAINTENANCE

---

### NOTE

*For illustrative purposes, the ES7411 printer has been shown. If you have an ES6410 printer, the principle is the same.*

---

## REPLACING CONSUMABLE ITEMS

**Only use genuine original consumables to ensure the best quality and performance from your hardware. Non original products may adversely affect your printer's performance and invalidate your warranty.**

## TONER CARTRIDGE REPLACEMENT

---

### NOTE

*When the LCD display indicates TONER LOW, or if print appears faded, first open the top cover and try tapping the cartridge a few times to evenly distribute the toner powder. This will enable you to obtain the best "yield" from your toner cartridge.*

---

### CAUTION!

**To avoid toner wastage and possible toner sensor errors, do not change the toner cartridge(s) until "TONER EMPTY" is displayed.**

The toner used in this printer is a very fine dry powder. It is contained in four cartridges: one each for cyan, magenta, yellow and black.

Have a sheet of paper handy so that you have somewhere to place the used cartridge while you install the new one.

Dispose of the old cartridge responsibly, inside the pack that the new one came in. Follow any regulations, recommendations, etc., which may be in force concerning waste recycling.

If you do spill any toner powder, lightly brush it off. If this is not enough, use a cool, damp cloth to remove any residue.

Do not use hot water, and never use solvents of any kind. They will make stains permanent.

### WARNING!

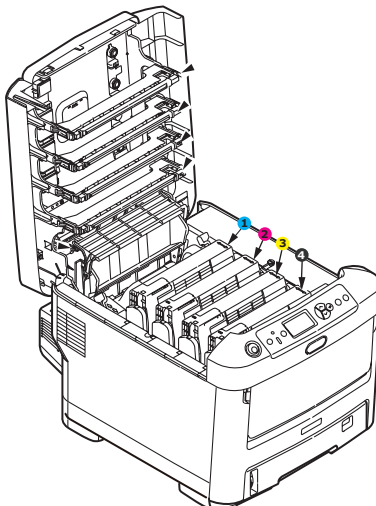
**If you inhale any toner or get it in your eyes, drink a little water or bathe your eyes liberally in cold water. Seek medical attention immediately.**

1. Press the cover release and open the printer's top cover fully.

### WARNING

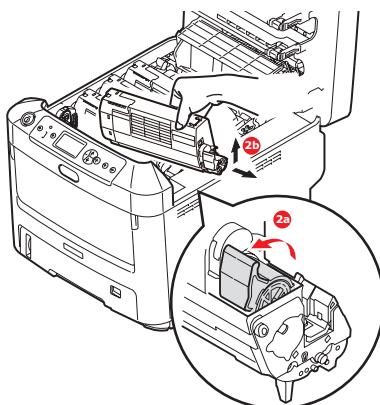
**If the printer has been powered on, the fuser will be hot. This area is clearly labelled. Do not touch.**

2. Note the positions of the four cartridges.



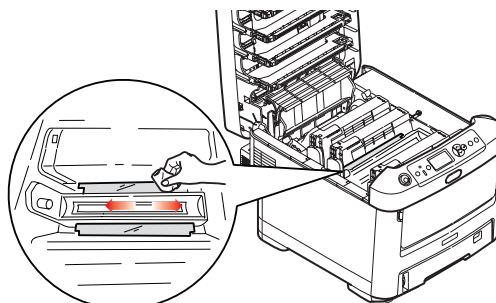
1. Cyan cartridge      2. Magenta cartridge  
3. Yellow cartridge    4. Black cartridge

- (a) Pull the coloured toner release lever on the cartridge to be replaced fully towards the front of the printer.



- (b) Lift the right-hand end of the cartridge and then draw the cartridge to the right to release the left-hand end as shown, and withdraw the toner cartridge out of the printer.

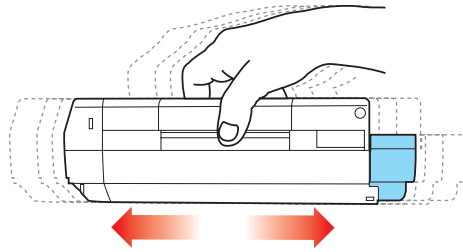
3. Put the cartridge down gently onto a piece of paper to prevent toner from marking your furniture.  
4. Clean the top of the ID unit with a clean, lint free cloth.



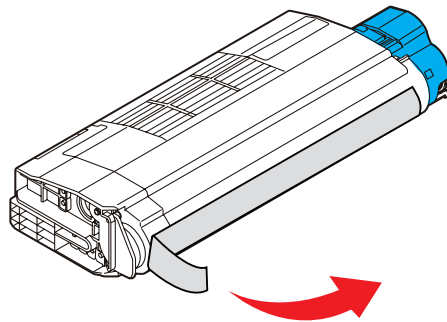
5. Remove the new cartridge from its box but leave its wrapping material in place for the moment.



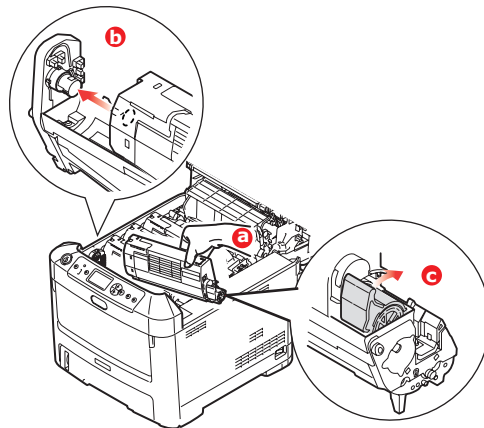
6. Gently shake the new cartridge from end to end several times to loosen and distribute the toner evenly inside the cartridge.



7. Remove the wrapping material and peel off the adhesive tape from the underside of the cartridge.

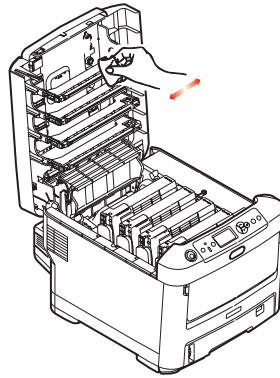


8. Holding the cartridge by its top centre with the coloured lever to the right, lower it into the printer over the image drum unit from which the old cartridge was removed.
9. Insert the left end of the cartridge into the top of the image drum unit first, pushing it against the spring on the drum unit, then lower the right end of the cartridge down onto the image drum unit.

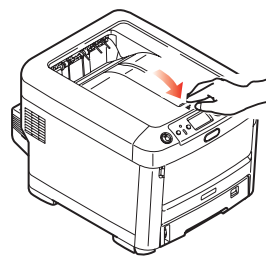


10. Pressing gently down on the cartridge to ensure that it is firmly seated, push the coloured lever towards the rear of the printer. This will lock the cartridge into place and release toner into the image drum unit.

11. Gently wipe the LED head surface with a clean, lint free cloth.



12. Finally, close the top cover and press down firmly at both sides so that the cover latches closed.



## IMAGE DRUM REPLACEMENT

### CAUTION!



**Static sensitive devices, handle with care.**

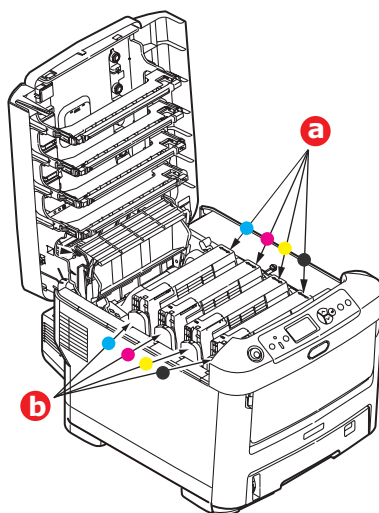
The printer contains four image drums: cyan, magenta, yellow and black.

1. Press the cover release and open the printer's top cover fully.

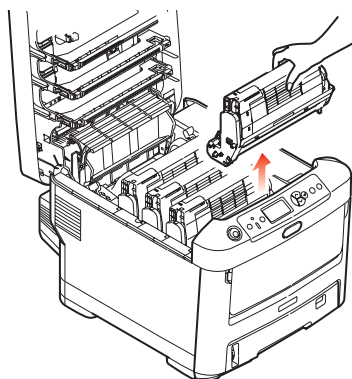
### WARNING!

**If the printer has been powered on, the fuser will be hot. This area is clearly labelled. Do not touch.**

2. Note the positions of the four toner cartridges (a) and image drums (b). It is essential that they go back in the same order.



3. Holding it by its top centre, lift the image drum, complete with its toner cartridge, up and out of the printer.

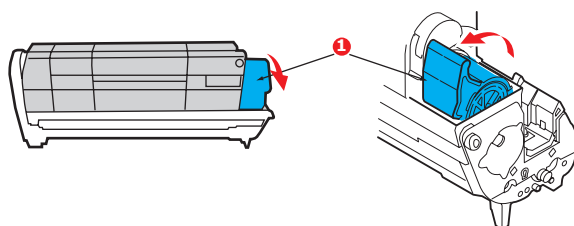


4. Put the assembly down gently onto a piece of paper to prevent toner from marking your furniture and to avoid damaging the green drum surface.

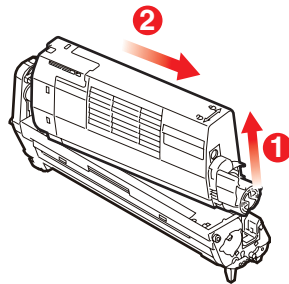
### CAUTION!

**The green image drum surface at the base of the ID unit is very delicate and light sensitive. Do not touch it and do not expose it to normal room light for more than 5 minutes. If the drum unit needs to be out of the printer for longer than this, please wrap the cartridge inside a black plastic bag to keep it away from light. Never expose the drum to direct sunlight or very bright room lighting.**

5. With the coloured toner release lever (1) to the right, pull the lever towards you. This will release the bond between the toner cartridge and the image drum unit.



6. Lift the right-hand end of the toner cartridge (1) and then draw the cartridge to the right to release the left-hand end as shown (2), and withdraw the toner cartridge out of the image drum cartridge. Place the cartridge on a piece of paper to avoid marking your furniture.



7. Take the new image drum cartridge out of its packaging and place it on the piece of paper where the old cartridge was placed. Keep it the same way round as the old unit. Pack the old cartridge inside the packaging material for disposal.

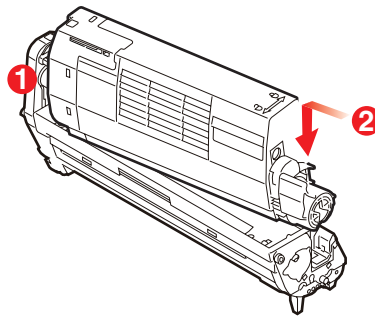
---

**NOTE:**

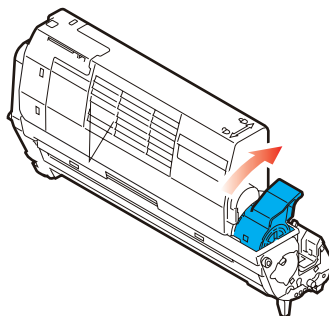
*Follow instructions that come with the new image drum for additional information such as the removal of packaging material, etc.*

---

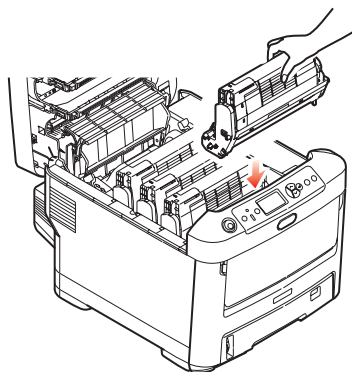
8. Place the toner cartridge onto the new image drum cartridge as shown. Push the left end in first, and then lower the right end in. (It is not necessary to fit a new toner cartridge at this time unless the remaining toner level is very low.)



9. Push the coloured release lever away from you to lock the toner cartridge onto the new image drum unit and release toner into it.



10. Holding the complete assembly by its top centre, lower it into place in the printer, locating the pegs at each end into their slots in the sides of the printer cavity.



11. Finally, close the top cover and press down firmly at both sides so that the cover latches closed.

**NOTE:**

*If you need to return or transport your printer for any reason, please make sure you remove the image drum unit beforehand and place in the bag provided. This is to avoid toner spillage.*

### REPLACING THE TRANSFER BELT UNIT

The belt unit is located under the four image drums.

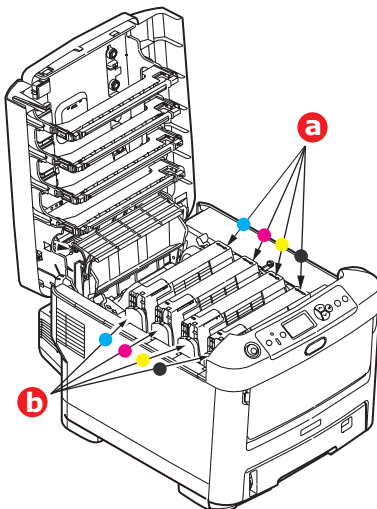
Switch off the printer and allow the fuser to cool for about 10 minutes before opening the cover.

1. Press the cover release and open the printer's top cover fully.

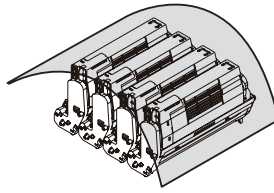
### WARNING!

**If the printer has been powered on, the fuser will be hot. This area is clearly labelled. Do not touch.**

2. Note the positions of the four toner cartridges (a) and image drums (b). It is essential that they go back in the same order.



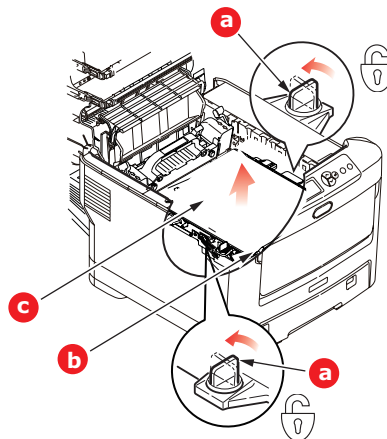
3. Lift each of the image drum units out of the printer and place them in a safe place away from direct sources of heat and light.



### CAUTION!

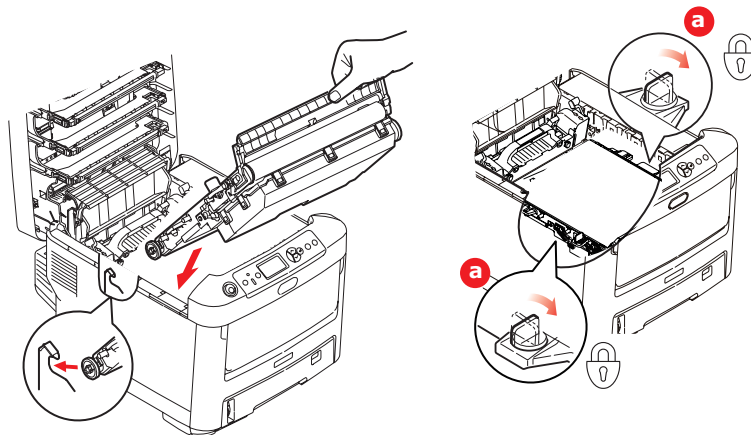
The green image drum surface at the base of each cartridge is very delicate and light sensitive. Do not touch it and do not expose it to normal room light for more than 5 minutes. If the drum unit needs to be out of the printer for longer than this, please wrap the cartridge inside a black plastic bag to keep it away from light. Never expose the drum to direct sunlight or very bright room lighting.

4. Locate the two fasteners (a) at each side of the belt and the lifting bar (b) at the front end.



5. Turn the two fasteners 90° to the left. This will release the belt from the printer chassis.
6. Pull the lifting bar (b) upwards so that the belt tilts up towards the front, and withdraw the belt unit (c) from the printer.

7. Lower the new belt unit into place, with the lifting bar at the front and the drive gear towards the rear of the printer. Locate the drive gear into the gear inside the printer by the rear left corner of the unit, and lower the belt unit flat inside the printer.



8. Turn the two fasteners (a) 90° to the right until they lock. This will secure the belt unit in place.
9. Replace the four image drums, complete with their toner cartridges, into the printer in the same sequence as they came out: cyan (nearest the rear), magenta, yellow and black (nearest the front).
10. Finally, close the top cover and press down firmly at both sides so that the cover latches closed.

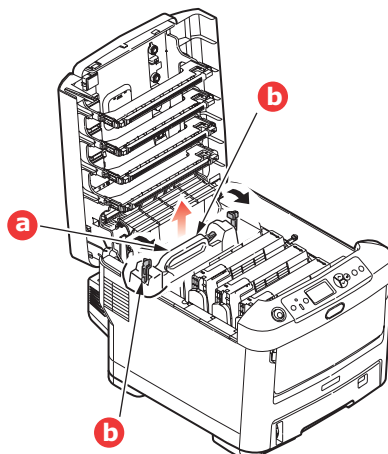
## FUSER REPLACEMENT

The fuser is located inside the printer just behind the four image drum units.

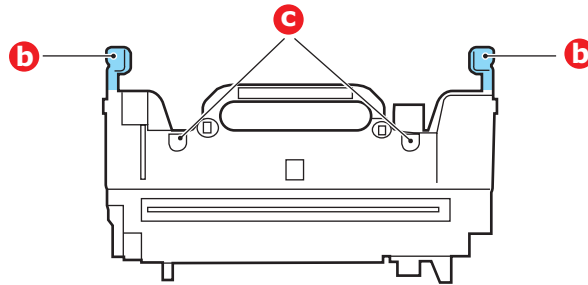
### WARNING

**If the printer has recently been powered on, some fuser components will be very hot. Handle the fuser with extreme care, holding it only by its handle, which will only be mildly warm to the touch. A warning label clearly indicates the area. If in doubt, switch the printer off and wait at least 10 minutes for the fuser to cool before opening the printer cover.**

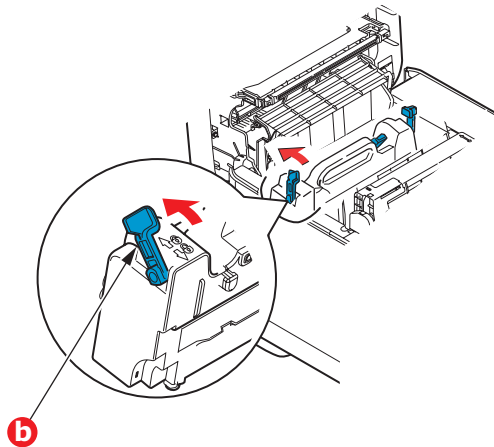
1. Press the cover release and open the printer's top cover fully.
2. Identify the fuser handle (a) on the top of the fuser unit.



3. Pull the two fuser retaining levers (b) towards the front of the printer so that they are fully upright.
4. Holding the fuser by its handle (a), lift the fuser straight up and out of the printer. If the fuser is still warm, place it on a flat surface which will not be damaged by heat.
5. Remove the new fuser from its packaging and remove the transit material.
6. Holding the new fuser by its handle, make sure that it is the correct way round. The retaining levers (b) should be fully upright, and the two locating lugs (c) should be towards you.



7. Lower the fuser into the printer, locating the two lugs (c) into their slots in the metal partition which separates the fuser area from the image drums.
8. Push the two retaining levers (b) towards the rear of the printer to lock the fuser in place.



9. Finally, close the top cover and press down firmly at both sides so that the cover latches closed.

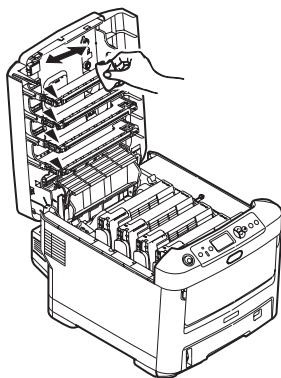


## CLEANING THE LED HEAD

Clean the LED heads when printing does not come out clearly, has white lines or when text is blurred.

There is no need to switch off the printer to clean the lens.

1. Press the cover release and open the printer's top cover fully.
2. Gently wipe the LED head surface with a clean, lint free cloth.



### CAUTION!

**Do not use methyl alcohol or other solvents on the LED head as damage to the lens surface will occur.**

3. Close the top cover and press down firmly at both sides so that the cover latches closed.

## INSTALLING UPGRADES

### NOTE

For illustrative purposes, the ES7411 printer has been shown. If you have an ES6410 printer, the principle is the same.

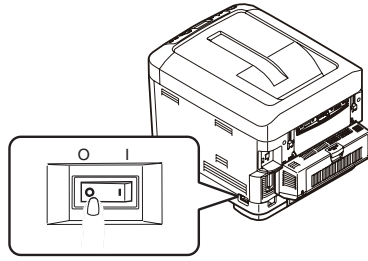
This section explains how to install optional equipment into your printer. This includes:

- > additional RAM memory
- > SD card
- > additional paper tray(s)
- > cabinet

### MEMORY UPGRADE

The basic printer model comes equipped with 256MB of main memory. This can be upgraded with an additional memory board of 256MB or 512MB, giving a maximum total memory capacity of 768MB.

1. Switch the printer off and disconnect the AC power cable.

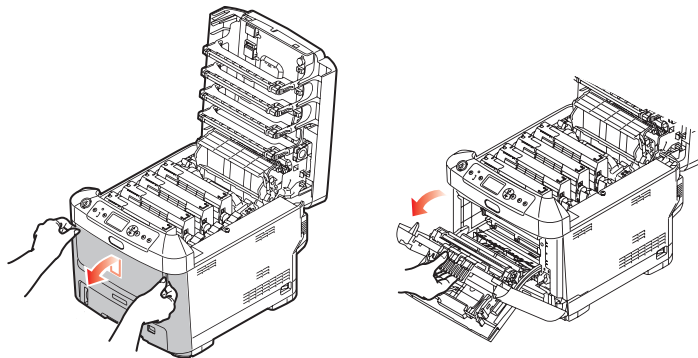


2. Press the cover release and open the printer's top cover fully.

### WARNING!

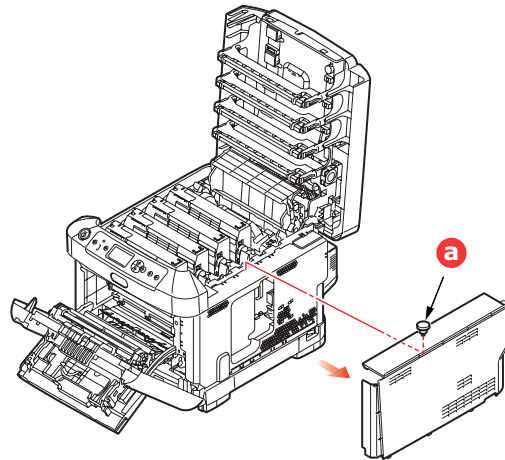
**If the printer has been powered on recently, the fuser will be hot. This area is clearly labelled. Do not touch.**

3. Pull down the MP Tray using the depressions. Lift the front cover release lever and lower the front cover.

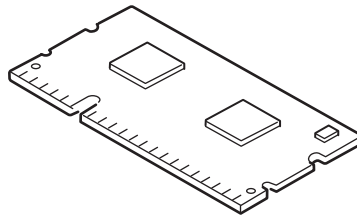


4. Loosen the screw (a) securing the right-hand side cover.

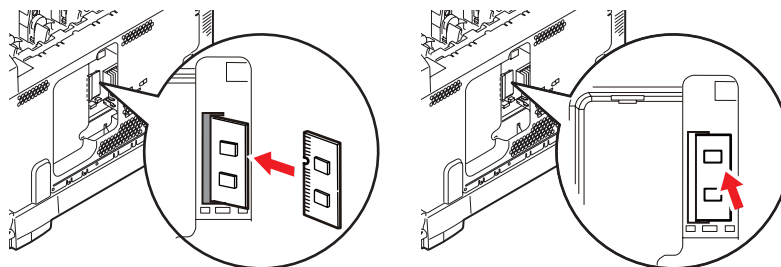
5. Lift the edge of the side cover slightly and pull the cover away from the printer at the top. Lift the cover slightly to detach it from the printer. Place it safely to one side.



6. Carefully remove the new memory board from its wrapping. Try to handle the board only by its short edges, avoiding contact with any metal parts as far as possible. In particular, avoid touching the edge connector.
7. Notice that the memory board has a small cutout in the edge connector, which is closer to one end than the other.

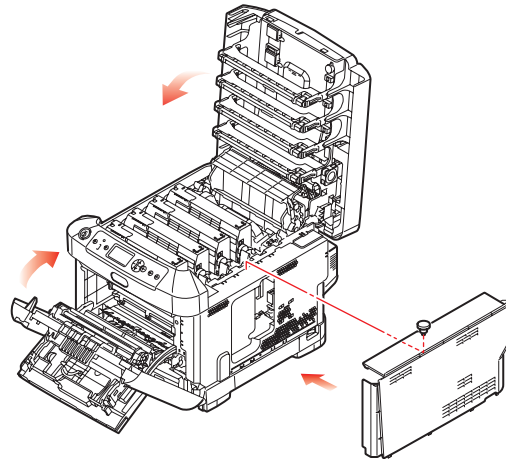


8. Identify the RAM expansion slot in the printer.
9. If the RAM expansion slot already contains a memory upgrade board, that board will have to be removed before you can install the new one. To remove it, proceed as follows, otherwise skip to step 10.
  - (a) Release retaining clips and pull the board out of the slot.
  - (b) Place the removed memory board in the antistatic bag which originally contained the new memory board.
10. Hold the new memory board by its short edges, so that the edge connector faces in towards the RAM expansion slot, and the small cutout is closer to the rear of the printer.
11. Gently push the board into the RAM expansion slot until it latches in and will not go any further.



12. Locate the retaining clips at the bottom of the side cover into their rectangular holes near the bottom of the printer.

- 13.** Close the top of the side cover up to the printer and refit the securing screw loosened in step 4.



- 14.** Close the front cover, and close the top cover, pressing down firmly at each side to latch it closed.
- 15.** Reconnect the AC power cable and switch the printer on.
- 16.** When the printer is ready, print a menu map as follows:
- (a) Press the **Enter** button.
  - (b) Press the **Menu down** button then the **Enter** button to select the Print Information menu.
  - (c) Select **Configuration** with the **Enter** button.
  - (d) Press the **Enter** button once more to execute the Configuration menu.
  - (e) When the Configuration map is printed, press **On Line** to exit the menu system.
- 17.** Examine the first page of the menu map.

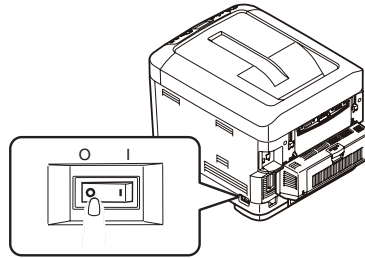
Near the top of the page, between the two horizontal lines, you will see the current printer configuration. This list contains the figure for total memory size.

This should indicate the total memory now installed.

## SD CARD

The optional SD card enables collating of printed pages and can be used to store overlays and macros, fonts, and secure or proof documents waiting to be printed.

1. Switch the printer off and disconnect the AC power cable.

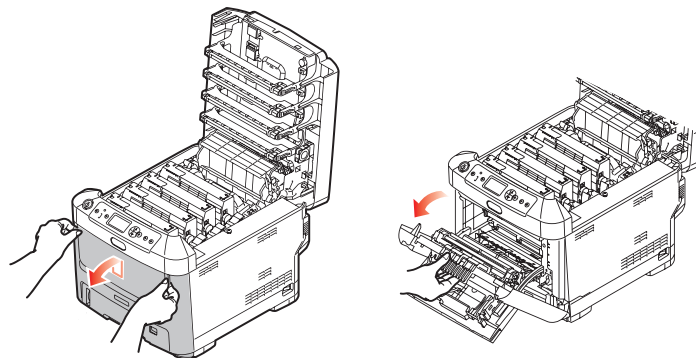


2. Press the cover release and open the printer's top cover fully.

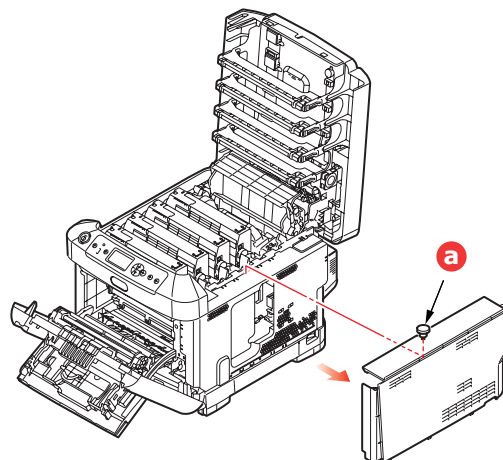
### WARNING!

**If the printer has been powered on recently, the fuser will be hot. This area is clearly labelled. Do not touch.**

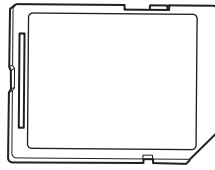
3. Pull down the MP Tray using the depressions. Lift the front cover release lever and lower the front cover.



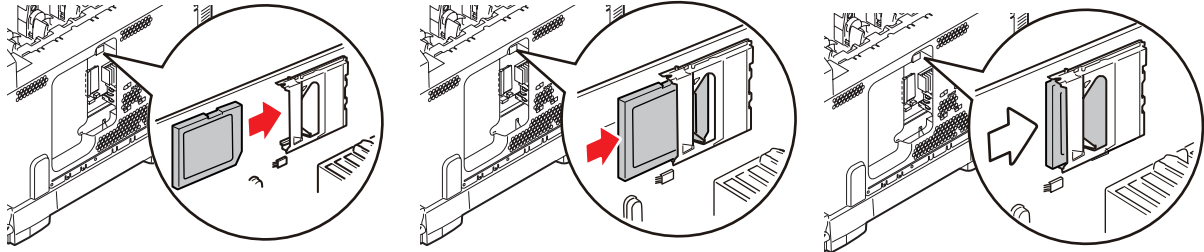
4. Loosen the screw (a) securing the right-hand side cover. Lift the edge of the side cover slightly and pull the cover away from the printer at the top. Lift the cover slightly to detach it from the printer. Place it safely to one side.



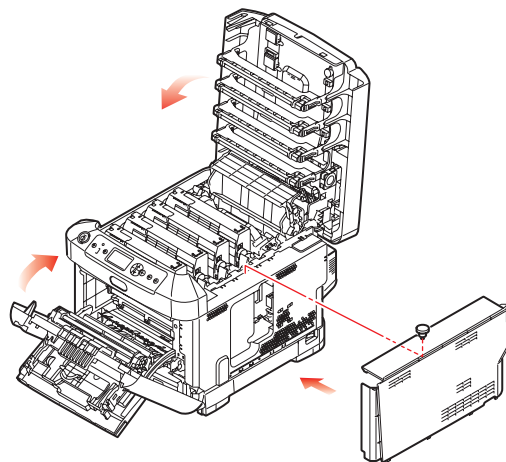
5. Notice that the SD card has one chamfered corner.



6. Gently push the SD card into the slot as shown.



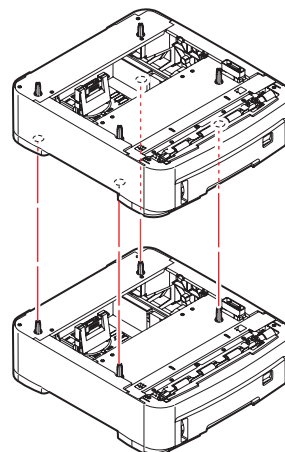
7. Locate the retaining clips at the bottom of the side cover into their rectangular holes near the bottom of the printer.
8. Close the top of the side cover up to the printer and refit the securing screw loosened in step 4.



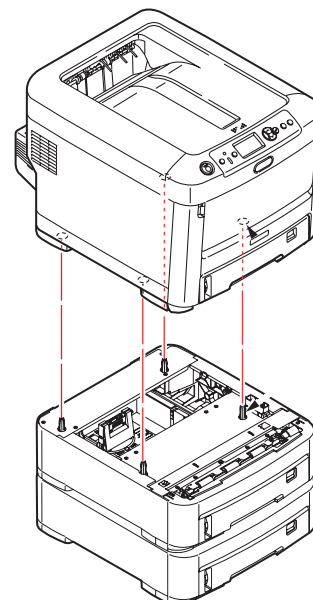
9. Close the front cover and the top cover, pressing down firmly at each side to latch it closed.
10. Reconnect the AC power cable and switch the printer on.
11. When the printer is ready, print a menu map as follows:
  - (a) Press the **Enter** button.
  - (b) Press the **Menu down** button then the **Enter** button to select the Print Information menu.
  - (c) Select **Configuration** with the **Enter** button.
  - (d) Press the **Enter** button once more to execute the Configuration menu.
  - (e) When the Configuration map is printed, press **On Line** to exit the menu system.
12. Examine the first page of the menu map. This should now indicate that the SD card is installed.

## ADDITIONAL PAPER TRAY(S)

1. Switch the printer off and disconnect the AC power cable.
2. Place additional paper tray(s) on desired location.



3. Observing safety rules for lifting and, using locating guides, place printer on top of the additional paper tray(s).



4. Re-connect the AC power cable and switch the printer ON.

All that remains is to adjust the printer driver to make full use of the new features (["Setting the driver device options"](#) on page 64).

## SETTING THE DRIVER DEVICE OPTIONS

Once your new upgrade has been installed, you may need to update the printer driver so that the additional features are available to your applications.

Accessories such as additional paper trays will only be usable if the printer driver on your computer knows they are there.

In some cases the hardware configuration of your machine is automatically detected when the driver is installed. However, it is advisable to at least check whether all of the available hardware features are listed in the driver.

This procedure is essential if you subsequently add extra hardware features to your machine after the drivers have been installed and set up.

Remember that if your machine is shared between users on different computers, the driver must be adjusted on each user's machine.

## WINDOWS

1. Access the driver's Properties window.
  - (a) Open the Printers window (called "Printers and Faxes" in Windows XP) via the Start Menu or from the Windows Control Panel.
  - (b) Right-click the icon for this machine, and choose **Properties** from the pop-up menu.
2. Select the **Device Options** tab.  
In the Windows XP PostScript driver the tab may be called **Device Settings**.
3. Set the options for any devices you have just installed.
4. Click **OK** to close the window and save your changes.

## MAC OS X

### Snow Leopard (Mac OS X 10.6) and Leopard (Mac OS X 10.5)

1. Open the Mac OS X Print & Fax Preferences.
2. Ensure your machine is selected.
3. Click **Options & Supplies**.
4. Click **Driver**.
5. Select all hardware options appropriate to your machine and click **OK**.

### Tiger (Mac OS X 10.4)

1. Open the Mac OS X Print & Fax Preferences.
2. Ensure your machine is selected.
3. Click **Printer Setup....**
4. Click the menu and choose **Installable Options....**
5. Select all hardware options appropriate to your machine and click **Apply Changes....**



### **Panther (Mac OS X 10.3)**

- 1.** Open the Mac OS X Print & Fax Preferences.
- 2.** Click **Printing**.
- 3.** Click **Set Up Printers....**
- 4.** Ensure your machine is selected and click **Show Info....**
- 5.** Click the menu and choose **Installable Options....**
- 6.** Select all hardware options appropriate to your machine and click **Apply Changes....**

### **STORAGE CABINET**

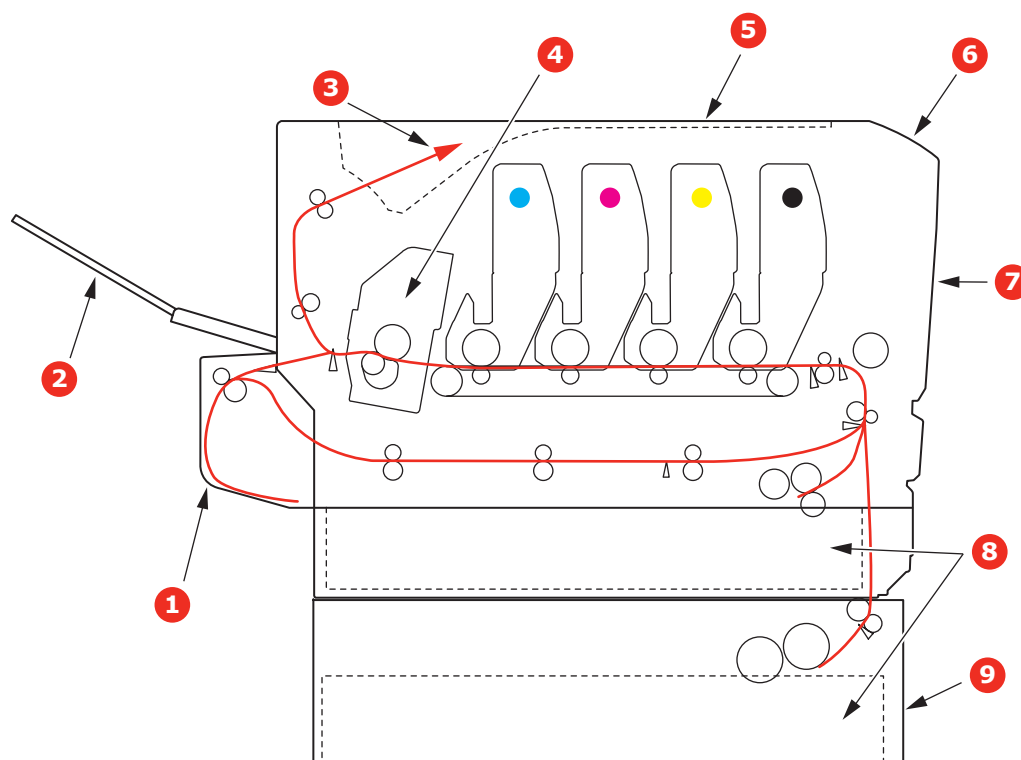
Instructions for installing the Storage Cabinet are supplied with the cabinet.

## TROUBLESHOOTING

Provided that you follow the recommendations in this guide on the use of print media, and you keep the media in good condition prior to use, your printer should give years of reliable service. However, paper jams occasionally do occur, and this section explains how to clear them quickly and simply.

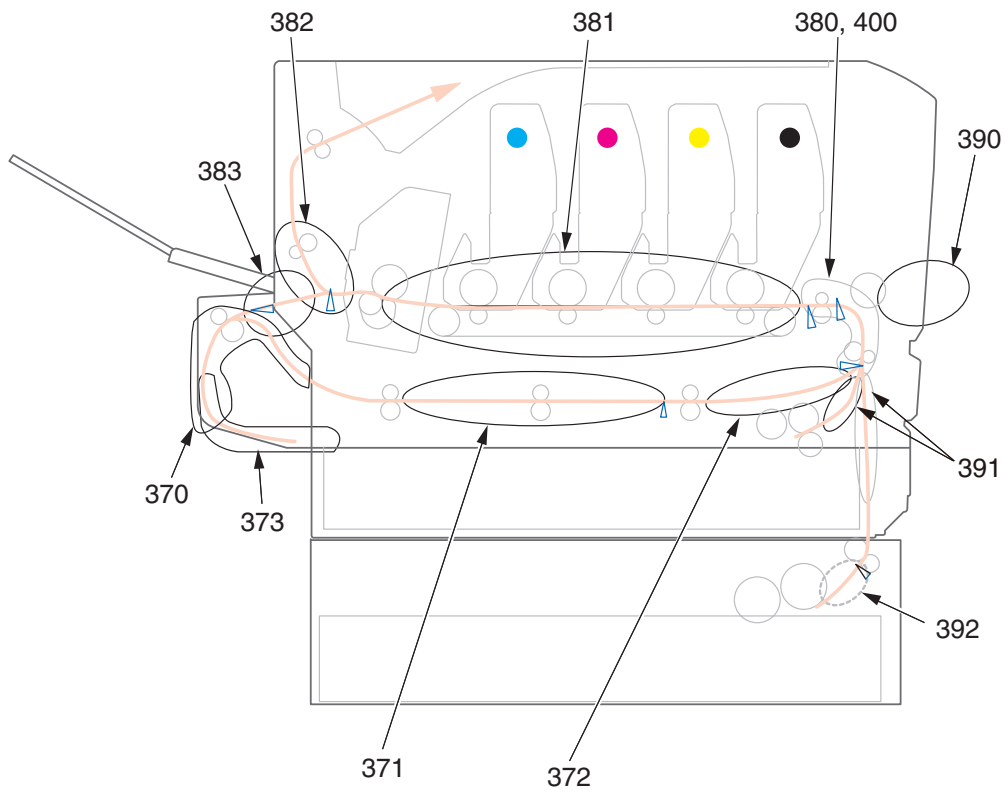
Jams can occur due to paper misfeeding from a paper tray or at any point on the paper path through the printer. When a jam occurs, the printer immediately stops, and the Attention LED on the control panel informs you of the event. If printing multiple pages (or copies), do not assume that, having cleared an obvious sheet, others will not also be stopped somewhere along the path. These must also be removed in order to clear the jam fully and restore normal operation.

### MAJOR PRINTER COMPONENTS AND PAPER PATH



- |                     |                                      |
|---------------------|--------------------------------------|
| 1. Duplex unit.     | 6. Operator panel.                   |
| 2. Face-up stacker. | 7. Front cover.                      |
| 3. Paper exit.      | 8. Paper tray.                       |
| 4. Fuser unit       | 9. Additional paper tray (if fitted) |
| 5. Top cover.       |                                      |

## PAPER SENSOR ERROR CODES



CODE #	LOCATION	CODE #	LOCATION
370	Duplex unit	382	Paper exit
371	Duplex unit	383	Duplex unit
372	Duplex unit	390	MP Tray
373	Duplex unit	391	Paper Tray
380	Paper feed	392	2 <sup>nd</sup> Paper tray <sup>a</sup>
381	Paper path	400	Paper size

a. If fitted.

## CLEARING PAPER JAMS

*NOTE*

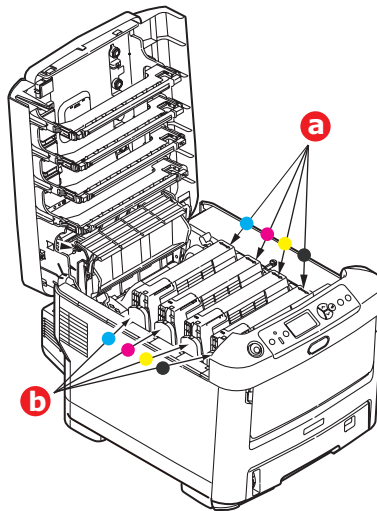
*For illustrative purposes, the ES7411 printer has been shown. If you have an ES6410 printer, the principle is the same.*

1. If a sheet is well advanced out of the top of the printer, simply grip it and pull gently to draw it fully out. If it does not remove easily, do not use excessive force. It can be removed from the rear later.
2. Press the cover release and open the printer's top cover fully.

### WARNING!

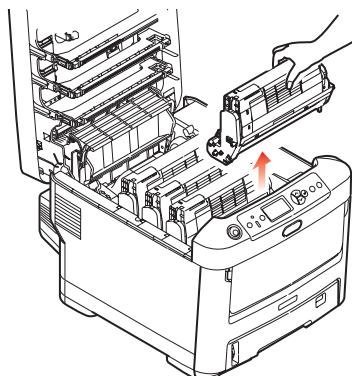
**If the printer has been powered on, the fuser will be hot. This area is clearly labelled. Do not touch.**

3. Note the positions of the four toner cartridges (a) and image drums (b). It is essential that they go back in the same order.

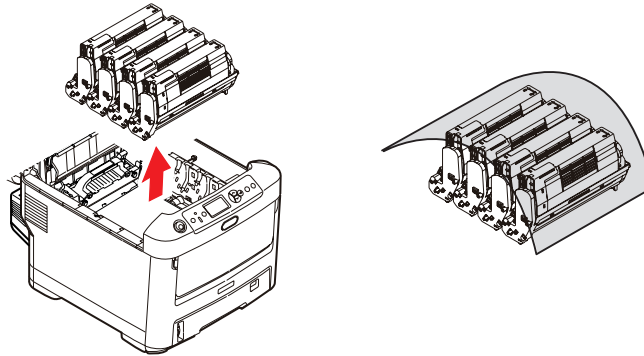


It will be necessary to remove the four image drums to gain access to the paper path.

4. Holding it by its top centre, lift the image drum, complete with its toner cartridge, up and out of the printer.



5. Put the assembly down gently onto a piece of paper to prevent toner from marking your furniture and to avoid damaging the green drum surface, and cover.

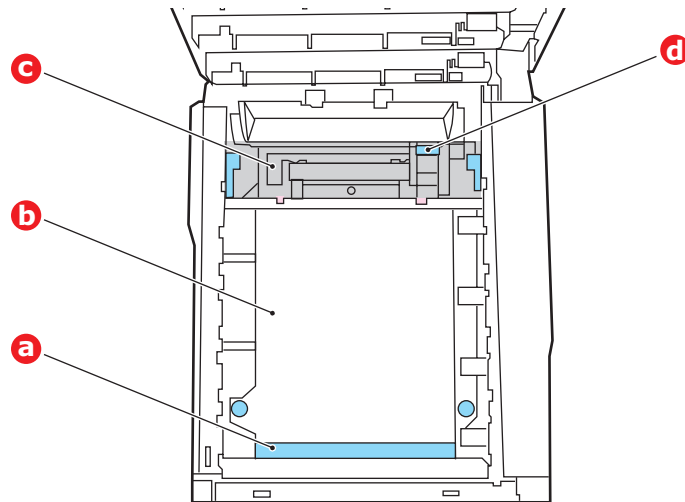


### CAUTION!

**The green image drum surface at the base of the Image Drum is very delicate and light sensitive. Do not touch it and do not expose it to normal room light for more than 5 minutes. If the drum unit needs to be out of the printer for longer than this, please wrap the cartridge inside a black plastic bag to keep it away from light. Never expose the drum to direct sunlight or very bright room lighting.**

6. Repeat this removal procedure for each of the remaining image drum units.

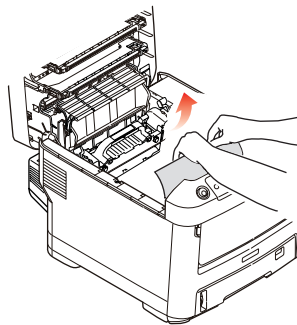
7. Look into the printer to check whether any sheets of paper are visible on any part of the belt unit.



### CAUTION!

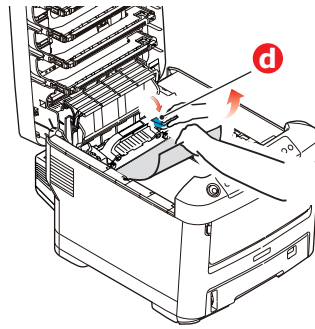
**Do not use any sharp or abrasive objects to separate sheets from the belt. This may damage the belt surface.**

- (a) To remove a sheet with its leading edge at the front of the belt (a), carefully lift the sheet from the belt and pull it forwards into the internal drum cavity and withdraw the sheet.



- (b) To remove a sheet from the central area of the belt (b), carefully separate the sheet from the belt surface and withdraw the sheet.
- (c) To remove a sheet just entering the fuser (c), separate the trailing edge of the sheet from the belt, push the fuser pressure release lever (d) towards the front and down to release the fuser's grip on the sheet, and withdraw the sheet

through the drum cavity area. Then allow the pressure release lever to rise again.



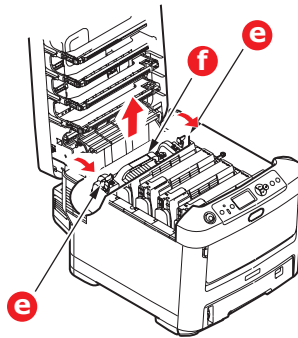
---

**NOTE**

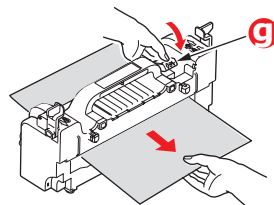
*If the sheet is well advanced into the fuser (only a short length is still visible), do not attempt to pull it back.*

---

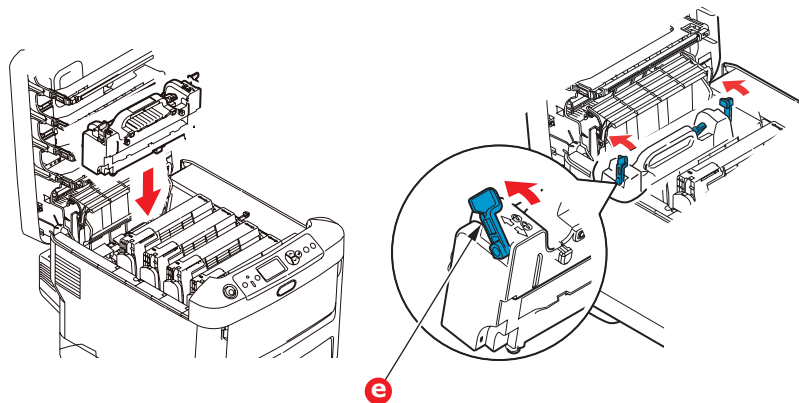
- (d) To remove a sheet in the fuser, push the two retaining levers (e) towards the rear of the printer to release the fuser. Withdraw the fuser unit using the handle (f).



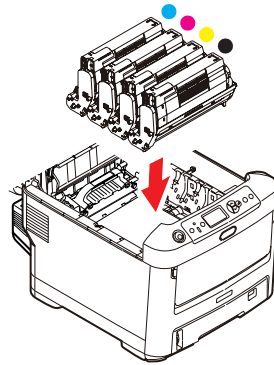
- (e) Press release lever (g) and pull the trapped paper from the fuser.



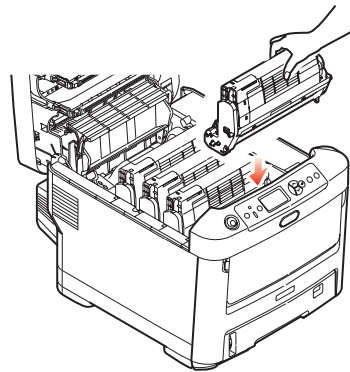
- (f) Replace fuser unit into the machine and move locking levers (e) toward the rear of the machine.



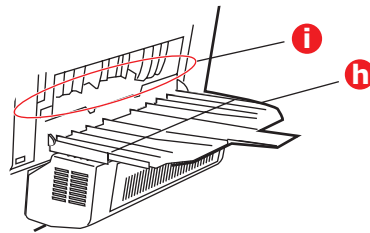
- 8.** Starting with the cyan image drum unit nearest the fuser, replace the four image drums into the drum cavity, making sure to locate them in the correct order.



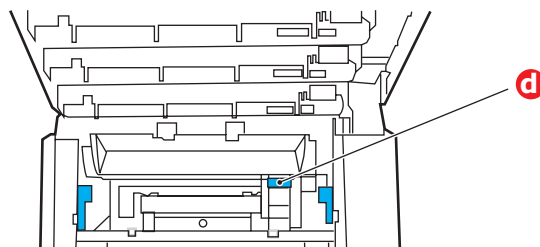
Holding the complete assembly by its top centre, lower it into place in the printer, locating the pegs at each end into their slots in the sides of the printer cavity.



- 9.** Lower the top cover but do not press down to latch it closed yet. This will protect the drums from excessive exposure to room lighting while you check the remaining areas for jammed sheets.
- 10.** Open the rear exit tray (h) and check for a sheet of paper in the rear path area (i).



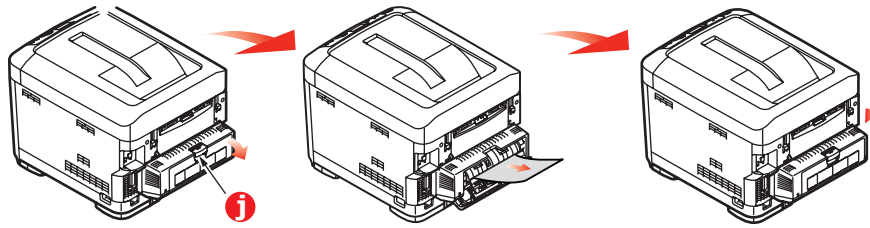
- > Pull out any sheets found in this area.
- > If the sheet is low down in this area and difficult to remove, it is probably still gripped by the fuser. In this case raise the top cover, reach around and press down on the fuser pressure release lever (d).



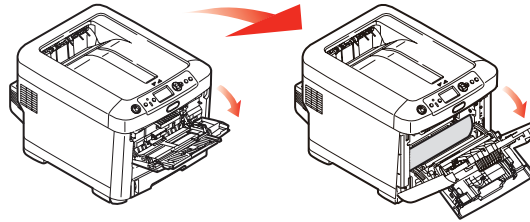
- 11.** If you are not using the rear exit tray, close it once any paper has been removed from this area.



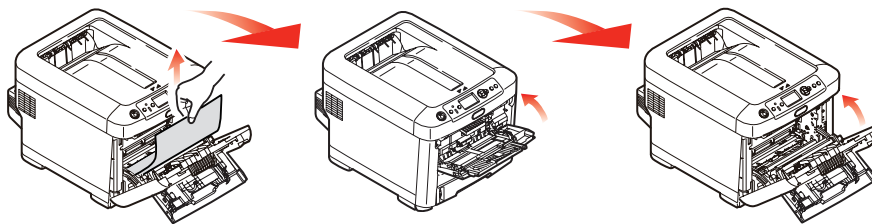
- 12.** If a duplex unit is fitted, lift lever (j) and lower the duplex unit cover and pull out any sheets found in this area. Close the duplex unit cover



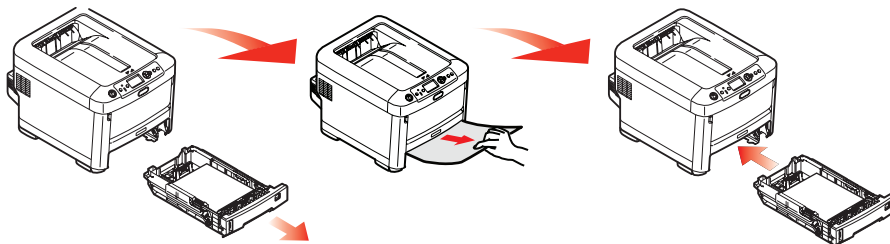
- 13.** Pull down the MP Tray using the depressions. Lift the front cover release lever and lower the front cover.



- 14.** Check inside the cover for sheets in this area and remove any that you find, then close the cover.



- 15.** Pull out the paper tray and ensure that all paper is stacked properly, is undamaged, and that the paper guides are properly positioned against the edges of the paper stack. When satisfied, replace the tray.



- 16.** Finally, close the top cover and press down firmly so that the cover latches closed. When the jam has been cleared, if Jam Recovery is set to ON in the System Adjust Menu, the printer will attempt to reprint any pages lost due to paper jams.

## SPECIFICATIONS

**ES6410 - N31193B**

**ES7411 - N31194B**

ITEM	SPECIFICATION
Dimensions	<b>ES6410:</b> 435 x 536 x 340mm (W x D x H) <b>ES7411:</b> 435 x 621 x 389mm (W x D x H)
Weight	<b>ES6410:</b> 29Kg approx. <b>ES7411:</b> 31Kg approx.
Power supply	220 to 240VAC @ 50/60 Hz $\pm$ 2%
Power consumption	Operating: 1200 max.; 600 W av. (25°C) Stand-by: 100 W av. (25°C) Power saving: 15 W max. Sleep: approx. 1W (25°C)
Operating environment	Operating 10 to 32 °C/20 to 80% RH (optimum 25 °C wet, 2 °C dry) Off: 0 to 43 °C/10 to 90% RH (optimum 26.8 °C wet, 2 °C dry)
Print environment	30 to 73% RH @ 10 °C; 30 to 54% RH @ 32 °C 10 to 32 °C @ 30% RH; 10 to 27 °C @ 80% RH Colour 17 to 27 °C @ 50 to 0% RH
Noise (Sound pressure level)	Operating: 54dB(A) Standby: 37dB(A)

# INDEX

## B

Belt  
how to replace ..... 53

## C

Cleaning the LED head ..... 57

## D

Duplex  
paper size and weight  
limits ..... 15

## E

Envelopes  
loading ..... 19

## F

Fuser  
how to replace ..... 55

## I

Image drum  
how to replace ..... 50

## M

Maintenance menu ..... 41  
Major printer components and  
paper path ..... 66  
Menu functions ..... 21  
Menus  
factory default settings ..... 22  
how to use ..... 21  
USB menu ..... 42  
Multi purpose tray  
how to use ..... 19  
paper metrics ..... 15

## O

Operator Panel ..... 21

## P

Paper  
jam clearing ..... 66  
jam, error codes ..... 67  
loading cassette trays ..... 16  
loading letterhead ..... 17  
recommended types ..... 14  
supported sheet sizes ..... 14  
Printer overview ..... 10

## S

SD Card  
how to install ..... 61  
Switching off correctly ..... 24

## T

Toner  
how to replace ..... 47

## U

Upgrades  
additional paper  
tray(s) ..... 63  
memory ..... 58  
SD card ..... 61  
storage cabinet ..... 65

**OKI EUROPE LIMITED**

Blays House  
Wick Road  
Egham  
Surrey TW20 0HJ  
United Kingdom

Tel: +44 (0) 208 219 2190  
Fax: +44 (0) 208 219 2199

**[WWW.OKIEXECUTIVESERIES.COM](http://WWW.OKIEXECUTIVESERIES.COM)**

