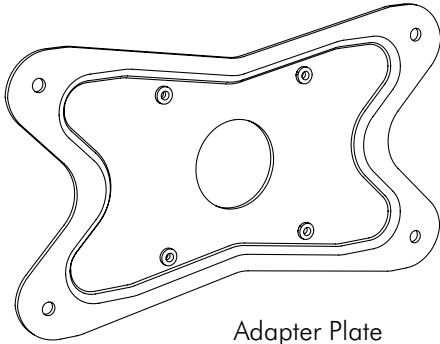


Installation Instructions

Adapter plate

200x100mm

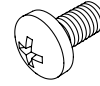
Component Checklist



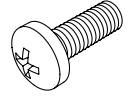
Hardware



M4x6mm (x4)



M4x8mm (x4)



M4x10mm (x4)

TOOLS REQUIRED:

- Phillips Head Screwdriver

Installation Procedure

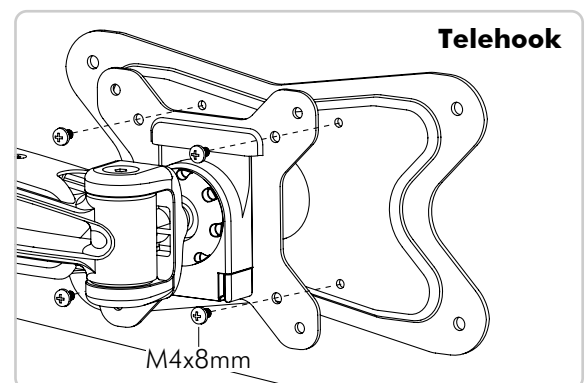
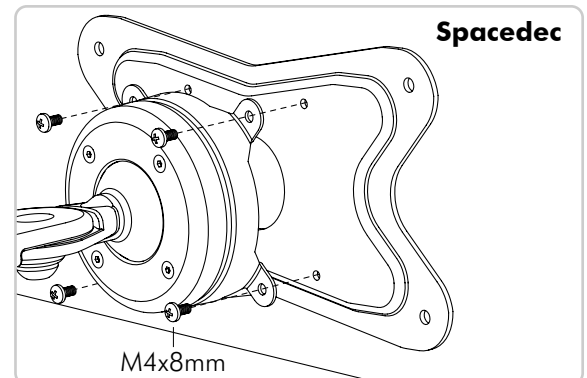
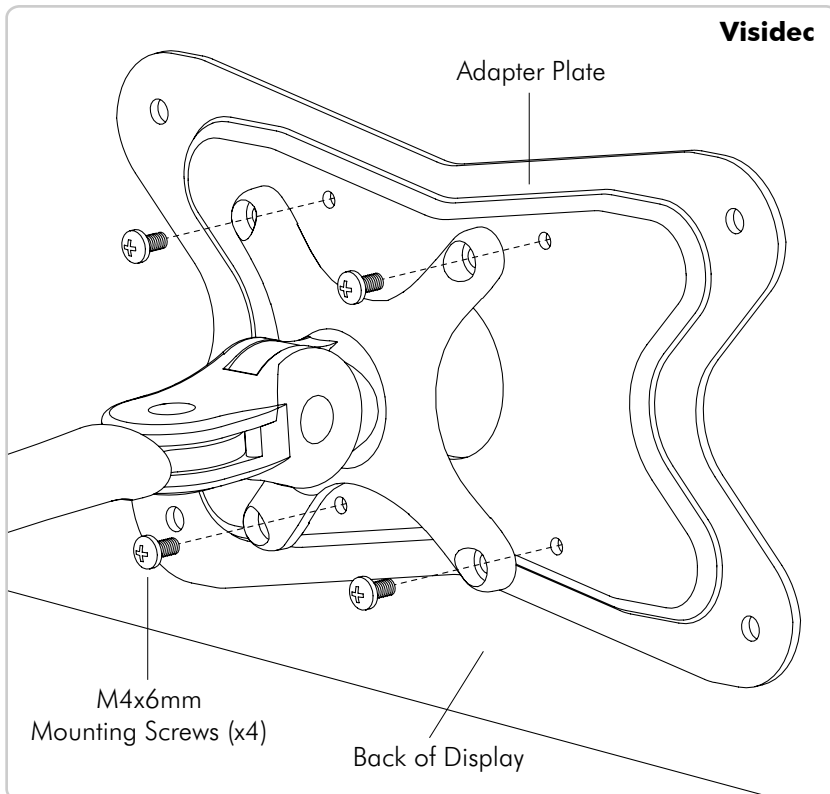
- ! **IMPORTANT - Install Adapter Plate as per Installation Instructions.**
- ! Compatible with VESA mounting head with hole configuration of 75 x 75mm (3" x 3"), converting to 200 x 100mm (8" x 4").
- ! The Manufacturer accepts no responsibility for incorrect installation.

Step. 1 Check Components

Check you have received all parts against the Component Checklist and Hardware above.

Step. 2 Attaching the Adapter Plate to your Mount Head

Use appropriate Mounting Screws (supplied) to suit your Mount Head, either Visidec, Spacedec or Telehook.



Step. 3 Attaching the Adapter Plate to your Display

Fix your Display to the Adapter Plate using the Mounting Screws supplied with your existing TV/monitor mount.
Installation Complete.

